

Original Instruction Manual
Instructions d'emploi d'origine
Originalbetriebsanleitung
Manuale di istruzioni originale
Originele gebruiksaanwijzing
Instrucciones de manejo originales
Instruções de serviço original
Original brugsanvisning
Πρωτότυπο εγχειρίδιο οδηγιών
Orijinal Kullanım Kılavuzu

Important:

Read this instruction manual carefully before putting the Petrol Backpack Brushcutter into operation and strictly observe the safety regulations!

Preserve instruction manual carefully!

Important :

Veillez lire attentivement ce mode d'emploi avant d'utiliser la débroussailleuse à dos thermique et respecter strictement les consignes de sécurité !

Veillez à conserver ce manuel d'instructions !

Wichtig:

Lesen Sie diese Betriebsanleitung aufmerksam durch, bevor Sie die Benzin-Rucksack-Motorsense in Betrieb nehmen, und halten Sie sich strikt an die Sicherheitsbestimmungen!

Bewahren Sie diese Betriebsanleitung sorgfältig auf!

Importante:

Leggere attentamente questo manuale di istruzioni prima di far funzionare questo tagliasiepi a zaino a benzina, e osservare rigorosamente le norme per la sicurezza.

Conservare con cura il manuale di istruzioni.

Belangrijk:

Lees deze gebruiksaanwijzing aandachtig door voordat u de ruggedragen benzinebosmaaier in gebruik neemt en houdt u te allen tijde aan de veiligheidsinstructies!

Bewaar deze gebruiksaanwijzing zorgvuldig!

Importante:

Lea atentamente este manual de instrucciones antes de utilizar la desbrozadora de mochila a gasolina y cumpla estrictamente la normativa de seguridad.

Conserve el manual de instrucciones con cuidado.

Importante:

Leia cuidadosamente este manual de instruções antes de utilizar a Roçadeira a Gasolina do Tipo Mochila e cumpra todas as normas de segurança!

Guarde este manual de instruções num local seguro!

Vigtigt:

Læs denne brugsanvisning omhyggeligt, inden du tager den benzindrevne rygsæk-buskrydder ibrug, og overhold sikkerhedsforskrifterne nøje.

Gem denne brugsanvisning omhyggeligt!

Σημαντικό:

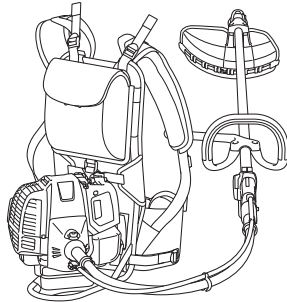
Πριν θέσετε σε λειτουργία το βενζινοκίνητο θαμνοκοπτικό πλάτης διαβάσετε προσεχτικά το παρόν εγχειρίδιο οδηγιών και εφαρμόσετε αυστηρά τους κανονισμούς ασφαλείας.

Διατηρήστε με προσοχή το εγχειρίδιο οδηγιών!

Önemli:

Benzinli Sirt Modeli Yan Tırpanı kullanmaya başlamadan önce bu kullanım kılavuzunu dikkatli bir şekilde okuyun ve güvenlik talimatlarını harfiyen takip edin!

Kullanım kılavuzunu dikkatlice saklayın!



MS-4300.4 R

DOLMAR



Thank you very much for purchasing the DOLMAR Outdoor Power Equipment. We are pleased to recommend to you the DOLMAR product which is the result of a long development program and many years of knowledge and experience. Please read this booklet which refers in detail to the various points that will demonstrate its outstanding performance. This will assist you to obtain the best possible result from your DOLMAR product.



Table of Contents

Page

Symbols.....	2
Safety instructions	3
Technical data.....	7
Designation of parts.....	8
Mounting of handle.....	9
Mounting of flexible shaft.....	10
Mounting of protector.....	11
Mounting of metal blade or nylon cutting head.....	13
Before start of operation	14
Correct handling of machine.....	16
How to start and stop engine.....	18
Resharpener the cutting tool.....	21
Servicing instructions.....	23
Storage.....	27
Troubleshooting.....	29

SYMBOLS

You will note the following symbols when reading the instructions manual.

	Read instruction manual and follow the warnings and safety precautions!		Keep the area of operation clear of all persons and pets!
	Take Particular care and attention!		Wear protective helmet, eye and ear protection!
	Forbidden!		Top permissible tool speed
	Keep distance!		Fuel (Gasoline)
	Flying object hazard!		Engine-manual start
	Kickback!		Emergency stop
	No smoking!		First Aid
	No open flame!		ON/START
	Protective gloves must be worn!		OFF/STOP
	Wear sturdy boots with nonslip soles. Steeltoed safety boots are recommended!		

SAFETY INSTRUCTIONS

General Instructions

- Read this instruction manual to become familiar with handling of the equipment. Users insufficiently informed will risk danger to themselves as well as others due to improper handling.
- It is recommended only to lend the equipment to people who have proven to be experienced.
Always hand over the instruction manual.
- First users should ask the dealer for basic instructions to familiarize oneself with the handling of brushcutters.
- Children and young persons aged under 18 years must not be allowed to operate this equipment. Persons over the age of 16 years may however use the device for the purpose of being trained while under supervision of a qualified trainer.
- Use with the utmost care and attention.
- Operate only if you are in good physical condition. Perform all work calmly and carefully. The user has to accept liability for others.
- Never use this equipment after consumption of alcohol or drugs, or if feeling tired or ill.
- National regulation can restrict the use of the machine.

Intended use of the machine

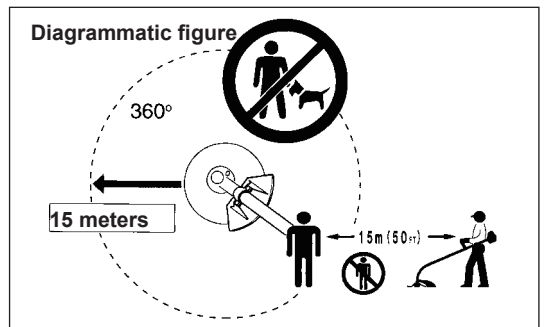
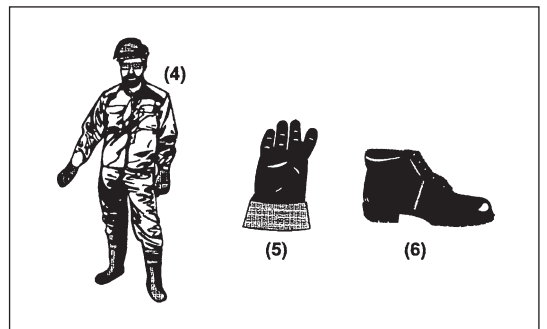
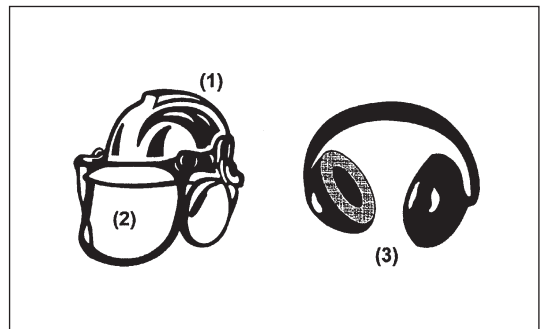
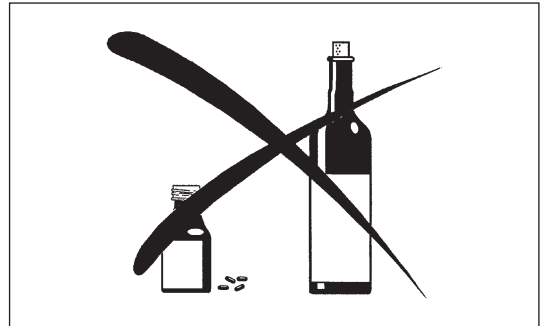
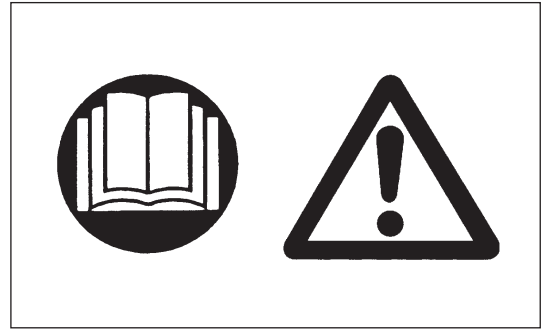
- This equipment is only intended for cutting grass, weeds, bushes, undergrowth. It should not be used for any other purpose such as edging or hedge cutting as this may cause injury.

Personal protective equipment

- The clothing worn should be functional and appropriate, i.e. it should be tight-fitting but not cause hindrance. Do not wear either jewelry or clothing which could become entangled with bushes or shrubs.
- In order to avoid either head-, eye-, hand- or foot injuries as well as to protect your hearing the following protective equipment and protective clothing must be used during operation.
- Always wear a helmet where there is a risk of falling objects. The protective helmet (1) is to be checked at regular intervals for damage and is to be replaced at the latest after 5 years. Use only approved protective helmets.
- The visor (2) of the helmet (or alternatively goggles) protects the face from flying debris and stones. During operation always wear goggles, or a visor to prevent eye injuries.
- Wear adequate noise protection equipment to avoid hearing impairment (ear muffs (3), ear plugs etc.).
- The work overalls (4) protect against flying stones and debris. We strongly recommend that the user wears work overalls.
- Gloves (5) are part of the prescribed equipment and must always be worn during operation.
- When using the equipment, always wear sturdy shoes (6) with a non-slip sole. This protects against injuries and ensures a good footing.

Starting up the brushcutter

- Make sure that there are no children or other people within a working range of 15 meters (50 ft), also pay attention to any animals in the working vicinity.
- Before use always check the equipment is safe for operation:
Check the security of the cutting tool, the throttle lever for easy action and check for proper functioning of the throttle lever lock.
- Rotation of the cutting tool during idling speed is not allowed. Check with your dealer for adjustment if in doubt. Check for clean and dry handles and test the function of the start/stop switch.

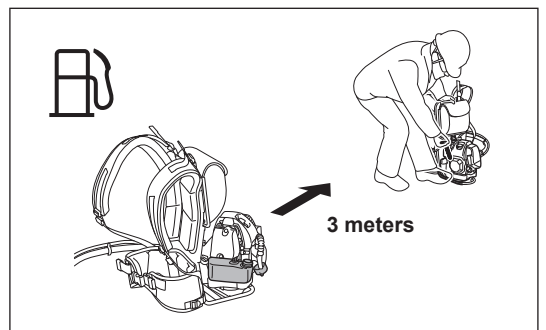
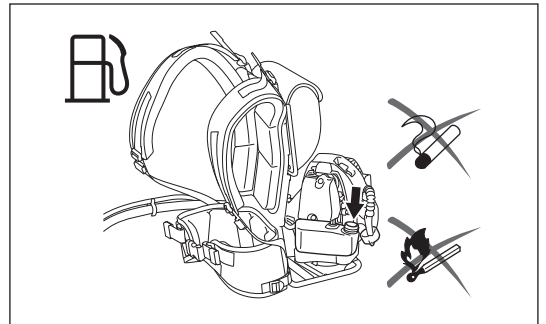
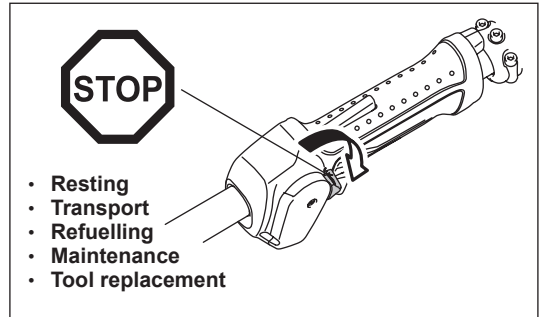
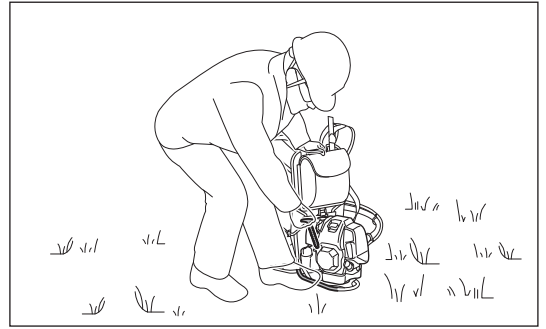


Start the brushcutter only in accordance with the instructions.

- Do not use any other methods for starting the engine!
- Use the brushcutter and the tools only for such applications as specified.
- Only start the engine, after the entire assembly is done. Operation of the device is only permitted after all the appropriate accessories are attached!
- Before starting make sure that the cutting tool has no contact with hard objects such as branches, stones etc. as the cutting tool will revolve when starting.
- The engine is to be switched off immediately in case of any engine problems.
- Should the cutting tool hit stones or other hard objects, immediately switch off the engine and inspect the cutting tool.
- Inspect the cutting tool at short regular intervals for damage (detection of hairline cracks by means of tapping-noise test).
- If the equipment gets heavy impact or fall, check the condition before continuing work. Check the fuel system for fuel leakage and the controls and safety devices for malfunction. If there is any damage or doubt, ask our authorized service center for the inspection and repair.
- Operate the equipment only with the harness attached which is to be suitably adjusted before putting the brushcutter into operation. It is essential to adjust the harness according to the user size to prevent fatigue occurring during use. Never hold the cutter with one hand during use.
- During operation always hold the brushcutter with both hands. Always ensure a safe footing.
- Operate the equipment in such a manner as to avoid inhalation of the exhaust gases. Never run the engine in enclosed rooms (risk of gas poisoning). Carbon monoxide is an odorless gas.
- Switch off the engine when resting and when leaving the equipment unattended, and place it in a safe location to prevent danger to others or damage to the machine.
- Never put the hot brushcutter onto dry grass or onto any combustible materials.
- Always install the approved cutting tool guard onto the equipment before starting the engine. Otherwise contact with the cutting tool may cause serious injury.
- All protective installations and guards supplied with the machine must be used during operation.
- Never operate the engine with faulty exhaust muffler.
- Shut off the engine during transport.
- When transporting the equipment, always attach the cover to the metal blade.
- Ensure safe position of the equipment during car transportation to avoid fuel leakage.
- When transporting, ensure that the fuel tank is completely empty.
- When unloading the equipment from the truck, never drop the Engine to the ground or this may severely damage the fuel tank.
- Except in case of emergency, never drop or cast the equipment to the ground or this may severely damage the equipment.

Refuelling

- Shut off the engine during refuelling, keep away from open flames and do not smoke.
- Avoid skin contact with mineral oil products. Do not inhale fuel vapor. Always wear protective gloves during refuelling. Change and clean protective clothing at regular intervals.
- Take care not to spill either fuel or oil in order to prevent soil contamination (environmental protection). Clean the brushcutter immediately after fuel has been spilt.
- Avoid any fuel contact with your clothing. Change your clothing instantly if fuel has been spilt on it (to prevent clothing catching fire).
- Inspect the fuel cap at regular intervals making sure that it can be securely fastened and does not leak.
- Carefully tighten the fuel tank cap. Change location to start the engine (at least 3 meters away from the place of refuelling).
- Never refuel in closed rooms. Fuel vapors accumulate at ground level (risk of explosions).
- Only transport and store fuel in approved containers. Make sure the fuel stored is not accessible to children.
- Always refuel on stable flat surface to avoid fuel spillage.



Method of operation

- Only use in good light and visibility. During the winter season beware of slippery or wet areas, ice and snow (risk of slipping). Always ensure a safe footing.
- Never cut above waist height.
- Never stand on a ladder.
- Never climb up into trees to perform cutting operation.
- Never work on unstable surfaces.
- Remove sand, stones, nails etc. found within the working range.
Foreign particles may damage the cutting tool and can cause dangerous kickbacks.
- Before commencing cutting, the cutting tool must have reached full working speed.
- When using metal blades, swing the tool evenly in half-circle from right to left, like using a scythe.
If grass or branches get caught between the cutting tool and guard, always stop the engine before cleaning. Otherwise unintentional blade rotation may cause serious injury.
- Take a rest to prevent loss of control caused by fatigue. We recommend to take a 10 to 20-minute rest every hour.
- Do not let the cutting tool touch on the ground during operation. Otherwise the cutting tool hit an object and may result in personal injury.
- Keep the metal blade parallel with the ground during operation.

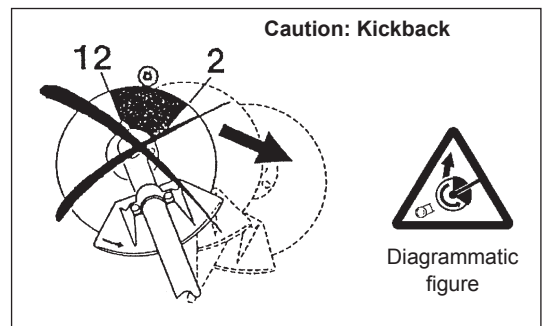


Cutting Tools

- Use an applicable cutting tool for the job in hand.
Nylon cutting heads (string trimmer heads) are suitable for trimming lawn grass.
Metal blades are suitable for cutting weeds, high grasses, bushes, shrubs, underwood, thicket, and the like.
Never use other blades including metal multi-piece pivoting chains and flail blades. Otherwise serious injury may result.
- When using metal blades, avoid “Kickback” and always prepare for an accidental kickback. See the section “Kickback”.

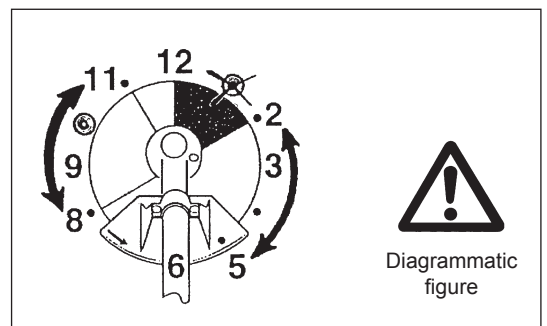
Kickback (blade thrust)

- Kickback (blade thrust) is a sudden reaction to a caught or bound metal blade. Once it occurs, the equipment is thrown sideways or toward the operator at great force and it may cause serious injury.
- Kickback occurs particularly when applying the blade segment between 12 and 2 o'clock to solids, bushes and trees with 3 cm or larger diameter.
- To avoid kickback:
 - Apply the segment between 8 and 11 o'clock;
 - Never apply the segment between 12 and 2 o'clock;
 - Never apply the segment between 11 and 12 o'clock and between 2 and 5 o'clock, unless the operator is well trained and experienced and does it at his/her own risk;
 - Never use metal blades close to solids, such as fences, walls, tree trunks and stones;
 - Never use metal blades vertically, for such operations as edging and trimming hedges.



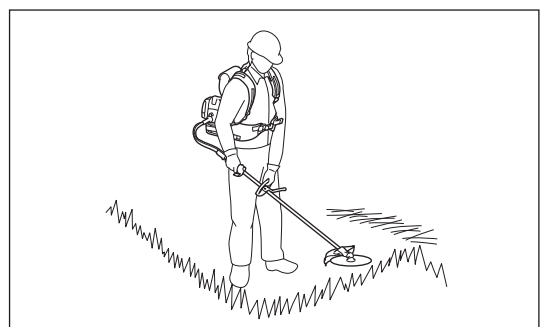
Vibration

- People with poor circulation who are exposed to excessive vibration may experience injury to blood vessels or the nervous system. Vibration may cause the following symptoms to occur in the fingers, hands or wrists: “Falling asleep” (numbness), tingling, pain, stabbing sensation, alteration of skin color or of the skin. If any of these symptoms occur, see a physician!
- To reduce the risk of “white finger disease”, keep your hands warm during operation and well maintain the equipment and accessories.



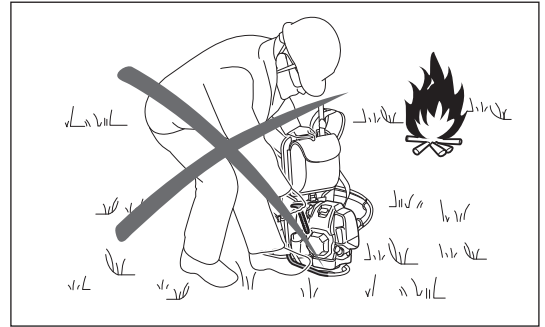
Maintenance instructions

- Have your equipment serviced by our authorized service center, always using only genuine replacement parts. Incorrect repair and poor maintenance can shorten the life of the equipment and increase the risk of accidents.
- The condition of the cutter, in particular of the cutting tool of the protective devices and also of the harness must be checked before commencing work. Particular attention is to be paid to the metal blades which must be correctly sharpened.
- Turn off the engine and remove spark plug connector when replacing or sharpening cutting tools, and also when cleaning the cutter or cutting tool.



Never straighten or weld damaged cutting tools.

- Pay attention to the environment. Avoid unnecessary throttle operation for less pollution and noise emissions. Adjust the carburetor correctly.
- Clean the equipment at regular intervals and check that all screws and nuts are well tightened.
- Never service or store the equipment in the vicinity of naked flames.
- Always store the equipment in locked rooms and with an emptied fuel tank.
- When cleaning, servicing and storing the equipment, always attach the cover to the metal blade.



Observe the relevant accident prevention instructions issued by the relevant trade associations and by the insurance companies. Do not perform any modifications to the equipment as this will endanger your safety.

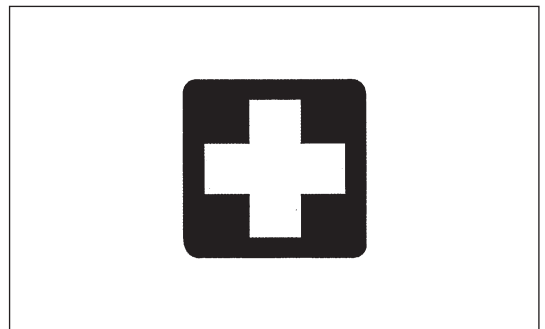
The performance of maintenance or repair work by the user is limited to those activities as described in the instruction manual. All other work is to be done by an Authorized Service Agent. Use only genuine spare parts and accessories released and supplied by DOLMAR. Use of non-approved accessories and tools means increased risk of accidents. DOLMAR will not accept any liability for accidents or damage caused by the use of non-approved cutting tools and fixing devices of cutting tools, or accessories.

First Aid

In case of accident make sure that a first-aid box is available in the vicinity of the cutting operations. Immediately replace any item taken from the first aid box.

When asking for help, please give the following information:

- Place of accident
- What happened
- Number of injured persons
- Kind of injuries
- Your name



For European countries only

EC Declaration of Conformity

Makita declares that the following machine(s):

Designation of Machine: Petrol Backpack Brushcutter
Model No./ Type: MS-4300.4 R

Conforms to the following European Directives:

2000/14/EC, 2006/42/EC

They are manufactured in accordance with the following standard or standardized documents:

EN ISO 11806-2

The technical file in accordance with 2006/42/EC is available from:

Makita, Jan-Baptist Vinkstraat 2, 3070, Belgium

The conformity assessment procedure required by Directive 2000/14/EC was in accordance with annex V.

(With nylon cutting head)

Measured Sound Power Level: 110.6 dB

Guaranteed Sound Power Level: 111 dB

(With cutter blade)

Measured Sound Power Level: 104.1 dB

Guaranteed Sound Power Level: 105 dB

1.9.2014



Yasushi Fukaya
Director

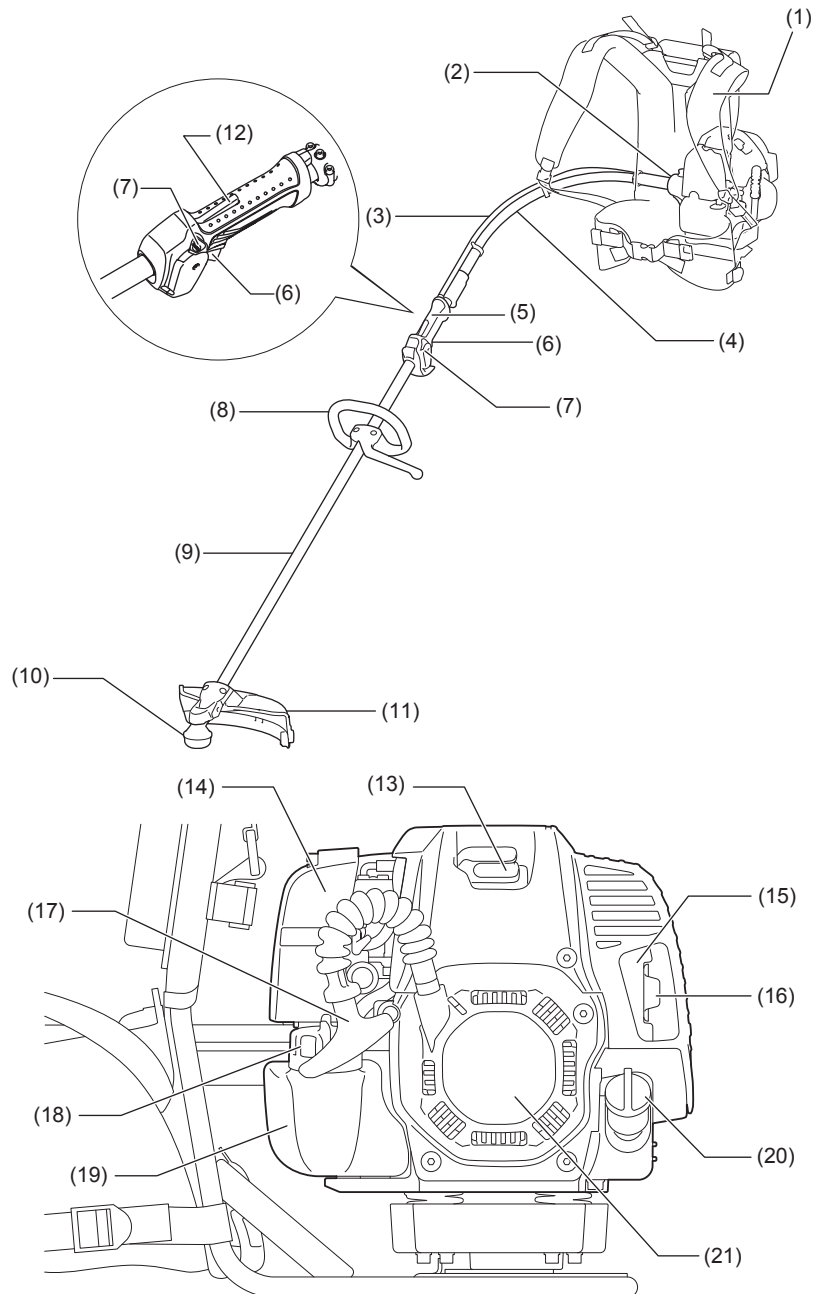
Makita, Jan-Baptist Vinkstraat 2, 3070, Belgium

TECHNICAL DATA

Model			MS-4300.4 R		
Handle type			Loop handle		
Dimensions: length x width x height (without flexible / straight shaft part)			mm	358 x 280 x 587	
Mass (without plastic guard and cutting tool)			kg	12.0	
Volume (fuel tank)			L	0.8	
Volume (oil tank)			L	0.1	
Engine displacement			cm ³	43.0	
Maximum engine performance			kW	1.5 at 7,500 min ⁻¹	
Engine speed at recommended max. spindle speed			min ⁻¹	10,500	
Maximum spindle speed (corresponding)			min ⁻¹	7,200	
Idling speed			min ⁻¹	3,000	
Clutch engagement speed			min ⁻¹	4,000	
Carburetor			Diaphragm type		
Spark plug			type	NGK CMR6A	
Electrode gap			mm	0.7 – 0.8	
			CUTTER BLADE	NYLON CUTTING HEAD	
Vibration per ISO 22867	Right handle (Rear grip)	$a_{hv\ eq}$	m/s ²	2.7	2.4
		Uncertainty K	m/s ²	0.8	0.7
	Left handle (Front grip)	$a_{hv\ eq}$	m/s ²	3.2	3.4
		Uncertainty K	m/s ²	1.7	1.0
Sound pressure level average to ISO 22868		$L_{PA\ eq}$	dB (A)	83.5	92.5
		Uncertainty K	dB (A)	1.1	1.7
Sound power level average to ISO 22868		$L_{WA\ eq}$	dB (A)	104.1	110.6
		Uncertainty K	dB (A)	1.1	0.7
Fuel			Automobile gasoline (petrol)		
Engine Oil			API grade SF class or higher, SAE 10W-30 oil (automobile 4-stroke engine oil)		
Cutting tools (cutter blade dia.)			mm	440 (with nylon cutting head), 255 (with 3-tooth blade), 257 (with 3-tooth blade), 305 (with 2-tooth blade)	
Gear ratio			13/19		

- Due to our continuing program of research and development, the specifications herein are subject to change without notice.
- Specifications may differ from country to country.

DESIGNATION OF PARTS



1. Harness	2. Clutch case	3. Control cable	4. Flexible shaft
5. Rear grip	6. Throttle lever	7. I-O switch (on/off)	8. Handle
9. Straight shaft	10. Gear case	11. Protector (Cutting tool guard)	12. Lock-off lever
13. Spark plug	14. Air cleaner	15. Exhaust muffler	16. Exhaust pipe
17. Starter knob	18. Fuel tank cap	19. Fuel tank	20. Oil cap
21. Recoil starter			

MOUNTING OF HANDLE

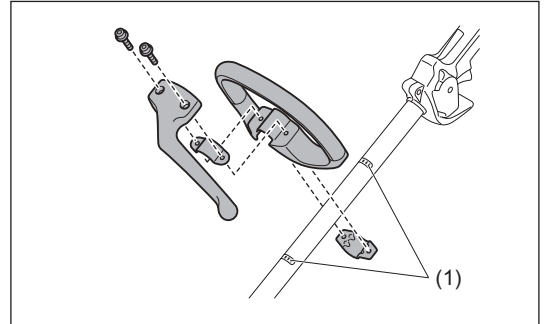
⚠ CAUTION:

- Before doing any work on the equipment, always stop the engine and pull the spark plug connector off the spark plug.
- Always wear protective gloves!

⚠ CAUTION:

- Start the engine only after having assembled it completely.

- Fix the loop handle on the shaft with two screws.
- To keep a proper distance between the grips, place the handle between the arrow marks (1) on the shaft.



MOUNTING OF FLEXIBLE SHAFT

Mounting the flexible shaft

1. Remove the bolt (1) from the end of the straight shaft (2).
2. Remove the cap from the flexible shaft.

NOTE:

- Do not lose the cap. Always put the cap when removing the flexible shaft.

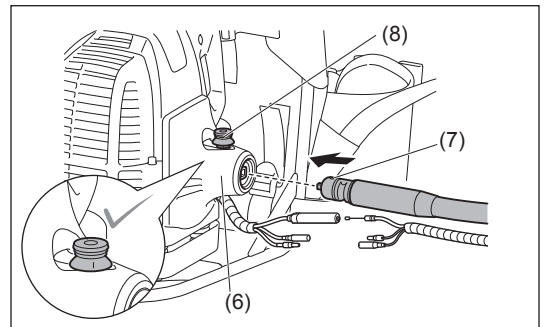
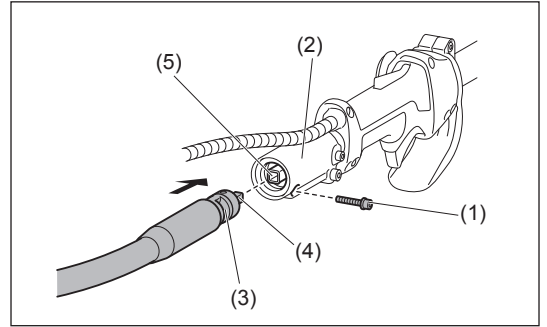
3. Turn the flexible shaft so that the dented part (3) of the flexible shaft faces downwards.
4. Align the square inner shaft (4) with the joint hole (5). Insert the end of the flexible shaft into the pipe holder all the way.
5. Tighten them with the bolt (1).

NOTICE:

- If it is difficult to insert the flexible shaft, align the square inner shaft (4) again.
- Do not pull out the inner shaft more than 35 mm (1-1/3").

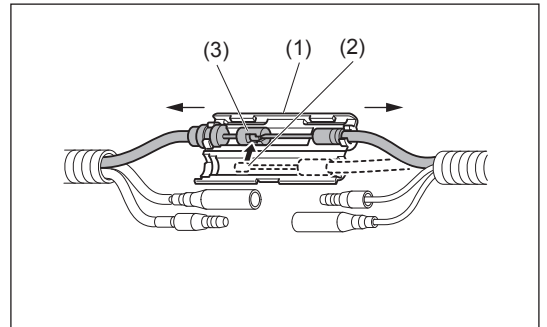
6. Align the hole (7) on the other end of flexible shaft with the knob (8) of the clutch case (6), and insert the flexible shaft into the clutch case.
7. Make sure the knob clicks as the knob fits into the hole of the flexible shaft.

To remove the flexible shaft from the clutch case, pull up the knob and remove it.



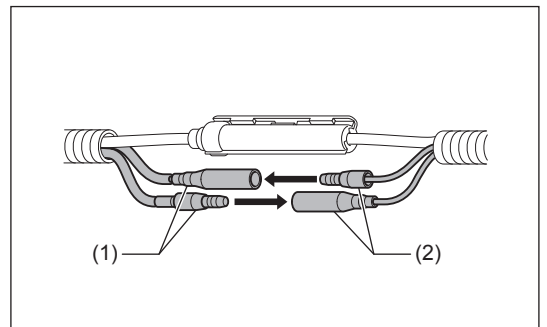
Connecting the control cable

1. Fit the end of the control cable from the control lever (2) onto the end of the control cable from the engine (3).
2. Place the control cable from the control lever in the connector (1). And then close the connector.
3. Make sure the throttle in the carburetor moves simultaneously when pulling the throttle lever.



Connecting the lead unit

Connect the lead units from the engine (1) with the lead units from the control lever (2) as each male and female terminals are connected.

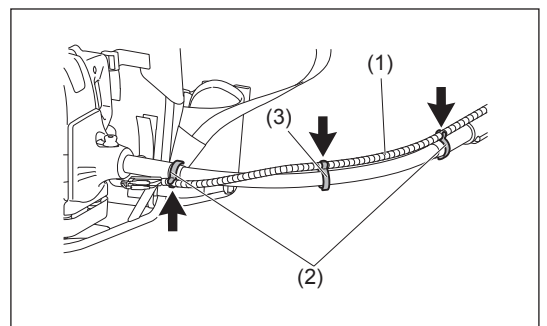


Securing the control cable

Secure the control cable (1) to the flexible shaft by using two clamps (2) and another clamp (3) as illustrated.

⚠ CAUTION:

- Make sure the control cable is attached to the flexible shaft properly. Loose cable may catch the branches etc. and result in personal injury.
- Do not twine the control cable around the flexible shaft. Otherwise the throttle may not work properly.



MOUNTING OF PROTECTOR

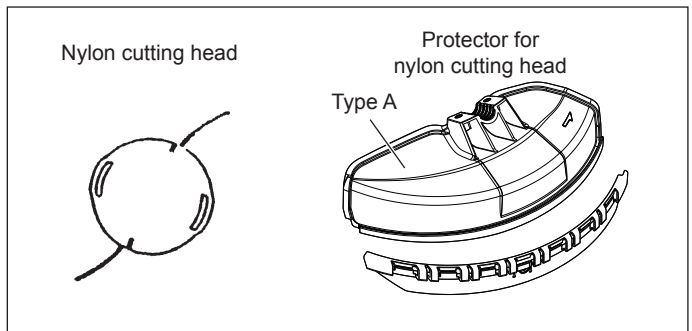
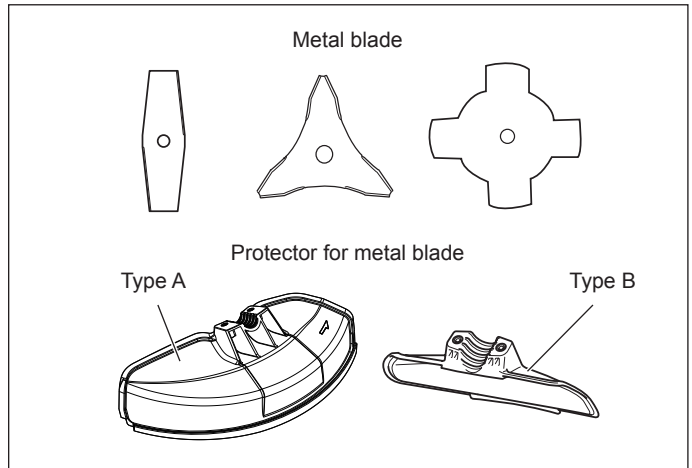
To meet the applicable safety provisions, only the tool/protector combinations as indicated in the table must be used.

⚠ CAUTION:

- The appropriate protector must always be installed, for your own safety and in order to comply with accident prevention regulations. Operation of the equipment without the guard being in place is not permitted. Do not apply other combination when using saw-blade.

NOTE:

- The standard combination of cutting tool differs from county to country.



For metal blades

⚠ CAUTION:

- Make sure that the protector tightening bolts are tightened evenly so that the gap between the clamp and the protector will be constant. Otherwise, the protector sometimes may not function as specified.

(For Type A protector)

Fix the protector (3) to the clamp (2) with two bolts M6x30 (1).

(For Type B protector)

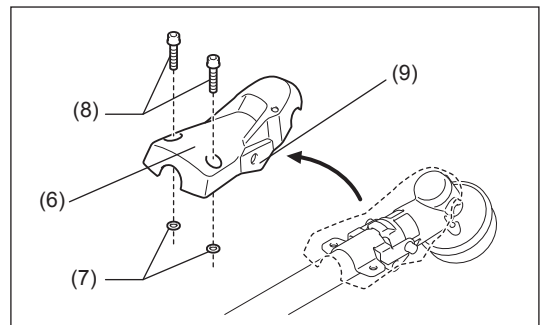
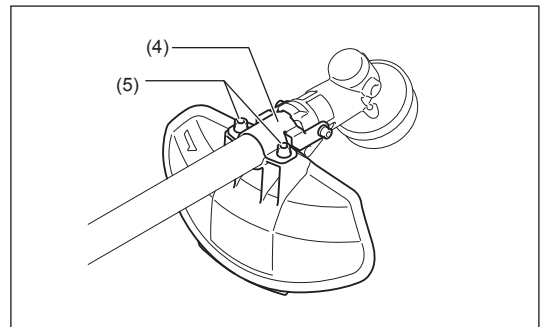
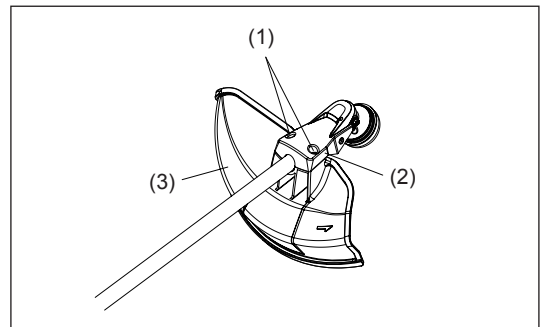
Fix the protector to the clamp (4) with two bolts M6x18 (5).

If the protector cover (6) is installed on the shaft, remove it first as follows.

1. Remove the washers (7), bolts M6x30 (8) from protector cover.
2. Remove the protector cover by slightly spreading the fin (9).

NOTE:

- When changing the protector from Type B to Type A, install the protector cover, bolts M6x30 and washers onto the shaft before installing the protector.

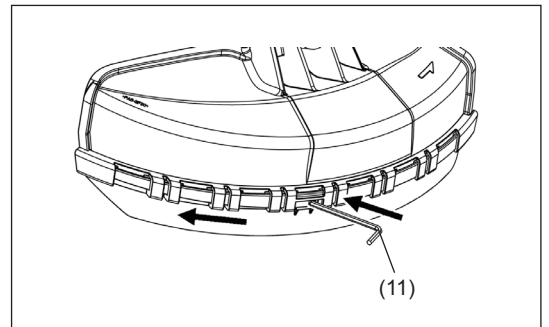
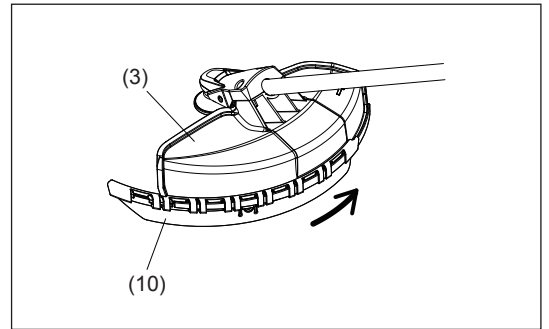


For nylon cutting head

- Be sure to mount the nylon cutting head protector (10) onto the type A metal blade protector (3) assembled with the nylon cutting head protector.
- Mount the nylon cutting head protector (10) by sliding it into place from the flank of the metal blade protector (3).
- Remove tape adhered to cutter, which cuts nylon cord, on nylon cutting head protector (10).

⚠ CAUTION:

- Be sure to push in nylon cutting head protector (10) until it is fully inserted. Take care not to injure yourself on the cutter for cutting the nylon cord.
- To remove the nylon cutting head protector (10), apply a hex wrench (11) into the notch on the metal blade protector (3), push it in and meanwhile slide the nylon cutting head protector (10).



MOUNTING OF METAL BLADE OR NYLON CUTTING HEAD

Be sure to use genuine DOLMAR metal blades or nylon cutting head.

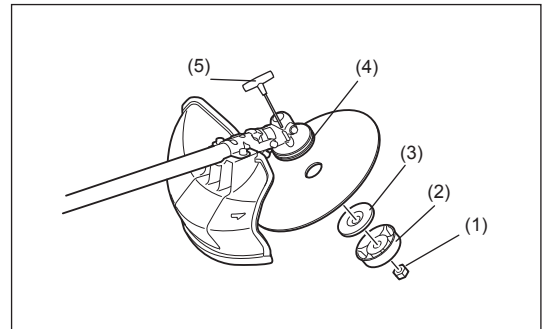
- The metal blade must be well polished, free of cracks or breakage. If the metal blade hits against a stone during operation, stop the engine and check the blade immediately.
- Polish or replace the metal blade every three hours of operation.
- If the nylon cutting head hits against a stone during operation, stop the engine and check the nylon cutting head immediately.

⚠ CAUTION:

- The appropriate protector must always be installed, for your own safety and in order to comply with accident-prevention regulations. Operation of the equipment without the guard being in place is not permitted. The outside diameter of the cutter blade must be 300 mm (12") or less. Never use any blades exceeding 300 mm (12") in outside diameter. Cutter blades with outside diameter of 305 mm or 12 inches can be used only for those with 2-tooth blade.

Turn the straight shaft upside down, and you can replace the metal blade or nylon cutting head easily.

- Insert the hex wrench (5) through the hole in the gear case and rotate the receiver washer (4) until it is locked with the hex wrench.
- Loosen the nut (1) (left-hand thread) with the socket wrench and remove the nut (1), cup (2), and clamp washer (3).



Mounting of metal blade with the hex wrench still in place

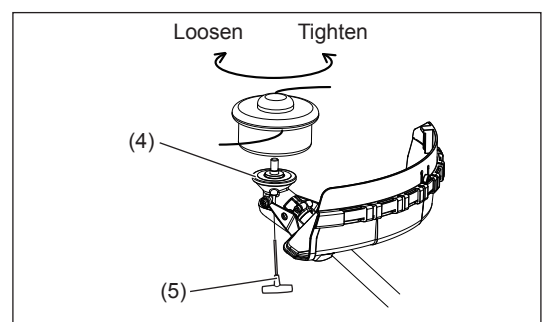
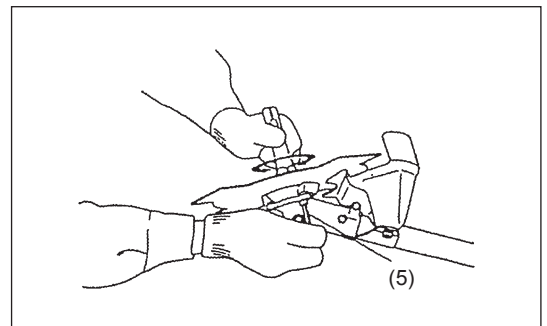
- Mount the metal blade onto the shaft so that the guide of the receiver washer (4) fits in the arbor hole in the metal blade. Install the clamp washer (3), cup (2), and secure the metal blade with the nut (1). [Tightening torque: 20 – 30 N•m]

NOTE:

- Always wear gloves when handling the metal blade.

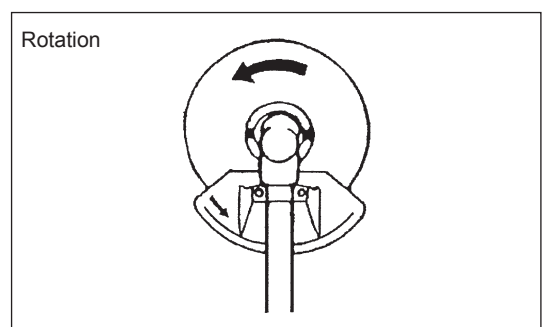
NOTE:

- The metal blade-fastening nut (with spring washer) is a consumable part. If there appears any wear or deformation on the spring washer, replace the nut.



Mounting of nylon cutting head

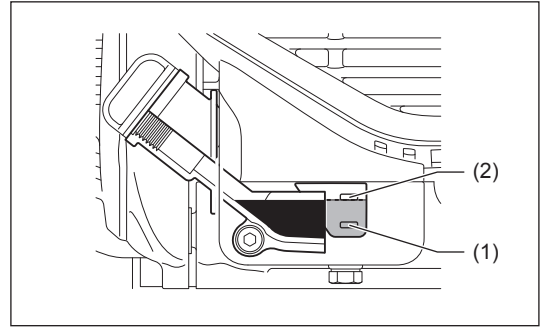
- The clamp washer (3), cup (2), and nut (1) are not necessary for mounting the nylon cutting head. The nylon cutting head should go on top of the receiver washer (4).
- Insert the hex wrench (5) through the hole in the gear case and rotate the receiver washer (4) until it is locked with the hex wrench.
- Then screw the nylon cutting head onto the shaft by turning it counterclockwise.
- Remove the hex wrench.



BEFORE START OF OPERATION

Inspection and refill of engine oil

- Perform the following procedure, with the engine cooled down.
- Assure that the engine is on a flat horizontal surface and confirm if the oil level is between the lower (1) and upper (2) limit of the oil indicator.
- If the oil level is below the lower limit, remove the oil cap and add oil.
- The area surrounding the external marks is transparent, so the amount of oil inside can be checked without having to remove the oil cap. However, if oil pipe becomes extremely dirty, visibility may be lost, and oil level will have to be checked against stepped section on inside of oil pipe.
- You may need to refill oil approximately every 10 operating hours (every 10 refuellings).
If the oil changes in color or mixes with dirt, replace it with new one. (For the interval and method of replacement, refer to P 23.)



Recommended oil: SAE 10W-30 oil of API Classification, Class SF or higher (4-stroke engine for automobile)

Oil volume: Approx. 0.10L

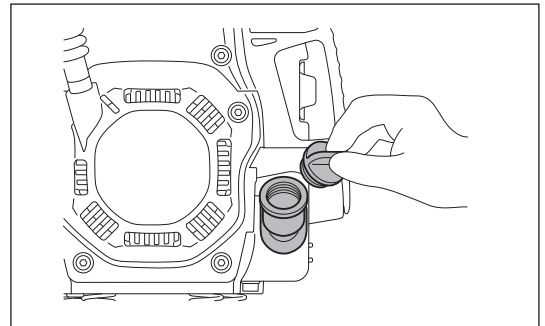
NOTE:

- If the engine is not positioned as illustrated on a horizontal surface, an inaccurate indication of oil level may occur and oil may be overfilled. Filling oil above the upper limit may cause oil contamination and/or white smoke.

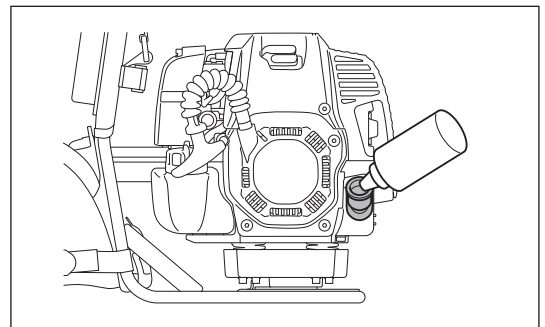
Replacement of oil: "Oil cap"

- Remove dust or dirt near the oil refill port, and detach the oil cap.
- Keep the detached oil cap free of sand or dust. Otherwise, any sand or dust adhering to the oil cap may cause irregular oil circulation or wear on the engine parts, which will result in troubles.

(1) Keep the engine level, and detach the oil cap.



(2) Fill with oil to upper limit mark.
Use oil bottle when filling.



(3) Securely tighten the oil cap. Insufficient tightening may cause oil leakage.

NOTE:

- Do not replace oil with the engine in a tilted position.
- Filling with oil while engine is tilted leads to overfilling which causes oil contamination and/or white smoke.

After refilling oil

- Wipe with a rag any spilled oil immediately.

REFUELLING

Handling of fuel

It is necessary to handle fuel with utmost care. Fuel may contain substances similar to solvents. Refuelling must be performed in a sufficiently ventilated room or in the open air. Never inhale fuel vapor, and keep fuel away from you. If you touch fuel repeatedly or for a long time, the skin becomes dry, which may cause skin disease or allergy. If fuel enters into the eye, clean the eye with fresh water. If your eye remains still irritated, consult your doctor.

Storage period of fuel

Fuel should be used within a period of 4 weeks, even if it is kept in a special container in a well-ventilated and shaded area. Otherwise, fuel may deteriorate in one day.

STORAGE OF MACHINE AND REFILL TANK

- Keep the machine and tank at a cool place free from direct sunshine.
- Never keep the fuel in a car.

Fuel

The engine is a four-stroke engine. Be sure to use an unleaded automobile gasoline 87 or higher octane ((R+M)/2). It may contain no more than 10% alcohol (E-10).

Points for fuel

- Never use a gasoline mixture which contains engine oil. Otherwise, it will cause excessive carbon accumulation or mechanical troubles.
- Use of deteriorated oil will cause irregular start-up.

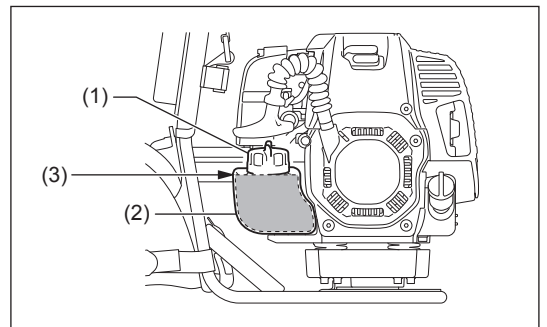
Refuelling

⚠ WARNING:

- **Shut off the engine before refuelling, keep away from open flames and do not smoke.**
- Loosen the tank cap (1) a little to release the tank pressure.
- Remove the tank cap, and refuel. DO NOT fill fuel more than fuel upper limit (3).
- Wipe the outside of the tank cap to prevent debris from entering into the fuel tank.
- After refuelling, securely tighten the tank cap.

NOTE:

- If there is any flaw or damage on the tank cap, replace it.
- The tank cap wears out in course of time. Replace it every two to three years.
- DO NOT put fuel in the oil fill port.



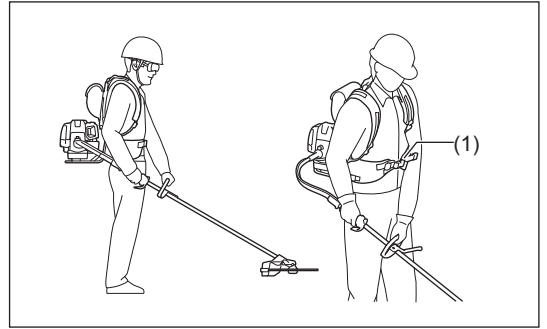
CORRECT HANDLING OF MACHINE

⚠ WARNING:

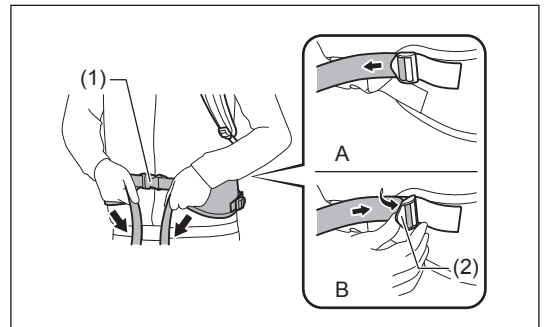
- Failure to maintain complete control of the machine at all could result in serious bodily injury or DEATH.

Attachment of harness

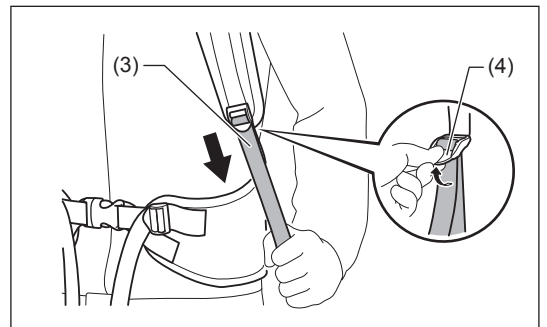
Adjust the harness for shouldering the engine comfortably during operation.



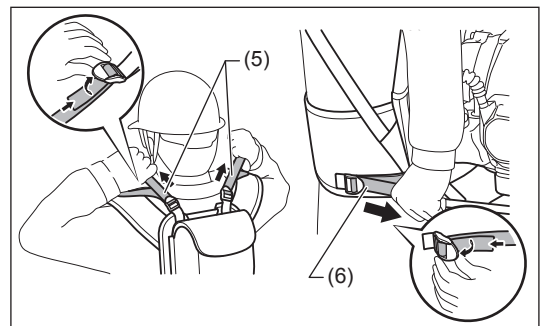
1. Put the harness on your back, and close the buckle (1).
To fasten the waist strap, pull the end of the strap (A).
To loosen it, pull up the end of the fastener (2) (B).



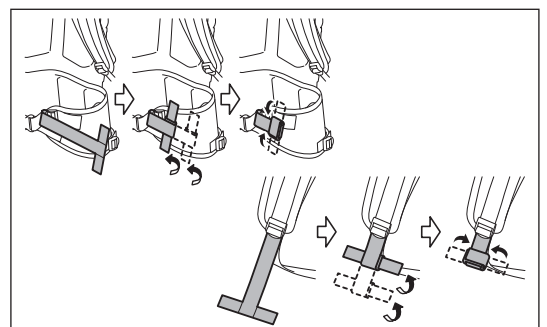
2. Adjust the shoulder strap (3) to a length that is comfortable to work.
To fasten the strap, pull the end of the strap.
To loosen it, pull up the end of the fastener (4).



3. Adjust the stabilizer strap of the shoulder and hip (5, 6). To fasten the strap, pull the end of the strap. To loosen it, pull up the end of the fastener.

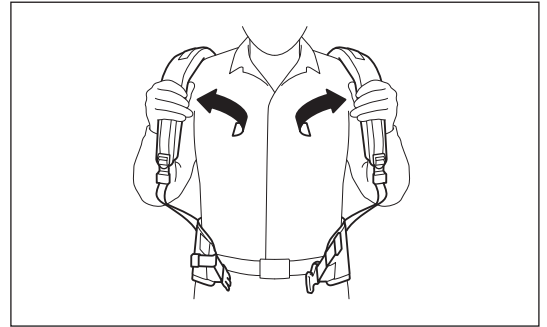
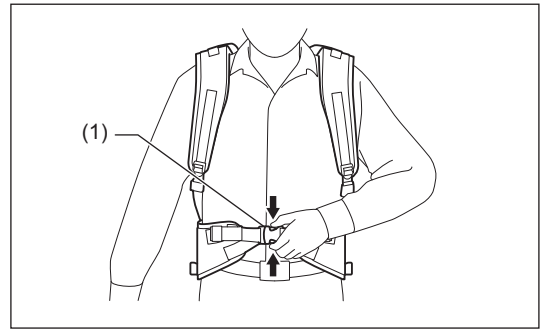


4. Roll redundant straps and fasten them with the loop and hook fastener.



Releasing the machine

- To release the machine, squeeze the sides of the buckle (1) and take off the harness.
Be extremely careful to maintain control of the machine at this time. Do not allow the machine to be deflected toward you or anyone in the work vicinity.



HOW TO START AND STOP ENGINE

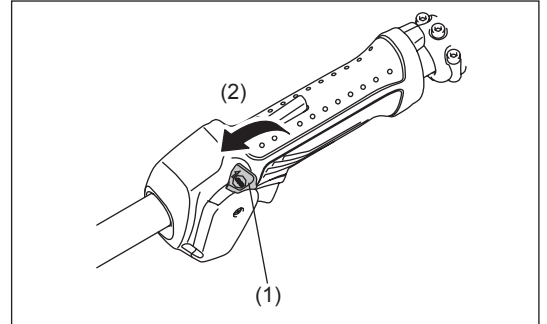
Observe the applicable accident prevention regulations!

STARTING

Move at least 3 m away from the place of refuelling. Place the unit on the ground taking care that the cutting tool does not come into contact with the ground or any other objects.

A: Cold start

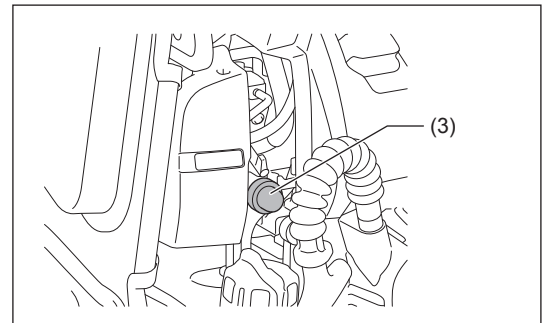
- 1) Set this machine on a flat space.
- 2) Set the I-O switch (1) to OPERATION (2).



- 3) Choke lever
Close the choke lever.
Choke opening:
 - Full closing in cold or when the engine is cold.
 - Full or half opening if the engine is a bit warm, such as restarting engine just after stopping during warm-up operation.



- 4) Primer pump
Continue to push the primer pump (3) until fuel comes into the primer pump.
(In general, 7 to 10 pushes.)
If the primer pump is pushed excessively, an excess of gasoline returns to the fuel tank.



5) Recoil starter

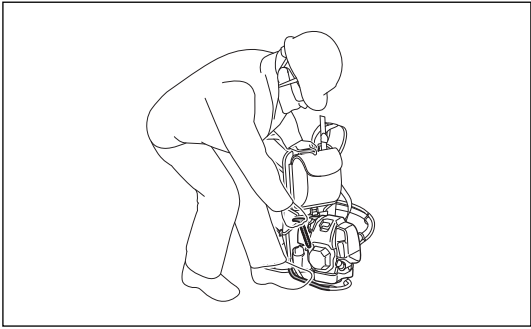
Make sure you have a firm footing.
Hold the unit with your left hand and press it down firmly.

CAUTION:

- Do not stand or kneel on the throttle cable. The internal wire may be pulled and the cutting tool may start rotating unintentionally. Do not open the throttle.

Pull the starter knob gently until a certain resistance is felt. Then, return the starter knob, and pull it strongly.

Never pull the rope to the full extension. Once the starter knob is pulled, never release your hand immediately. Hold the starter knob until it returns to its original point.



6) Choke lever

Once engine starts, set choke lever to the OPEN position.

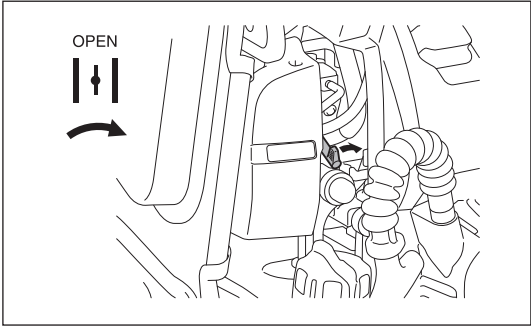
- Open the choke lever gradually while checking the engine operation. Be sure to open the choke lever to the full in the end.
- In cold or when the engine is cooled down, never open the choke lever suddenly. Otherwise the engine may stop.

7) Warm-up operation

Continue warm-up operation for 2 to 3 minutes.

NOTICE:

- Do not pull the throttle lever unnecessarily while the engine is not running. It may cause fuel leak from the air cleaner. If it happens, wipe leaked fuel off. Also, open the air cleaner cover and clean the element and the air cleaner plate.



NOTE:

- Do not pull the throttle lever unnecessarily when the engine is not running. It may cause flooding of fuel in the engine, and may cause the engine difficult to start up.
- In case of flooding of the fuel, remove the spark plug and pull the starter handle slowly to remove excess fuel. Also, dry the electrode section of the spark plug.
- If the engine fires and stops, or stops soon after starting, return the choke lever to the OPEN position, and pull the starter knob a few times again to start the engine.
- If the choke lever is left in the CLOSE position, and the starter knob merely pulled repeatedly, too much fuel will be sucked in, and the engine will become difficult to start.
- Do not race the engine in warm-up operation unnecessarily.

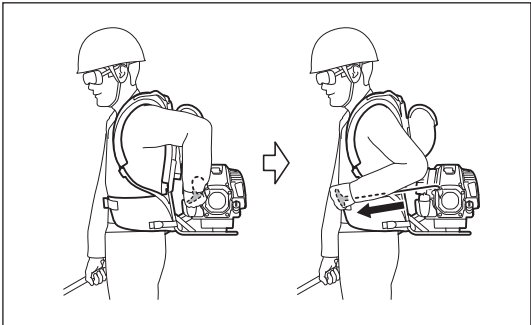
B: Warm start

- 1) Keep the choke lever full open.
- 2) Push the primer pump repeatedly.
- 3) Keep the throttle lever at the idling position.
- 4) Pull the starter knob strongly.

You can also restart the engine while carrying the tool on your back.

CAUTION:

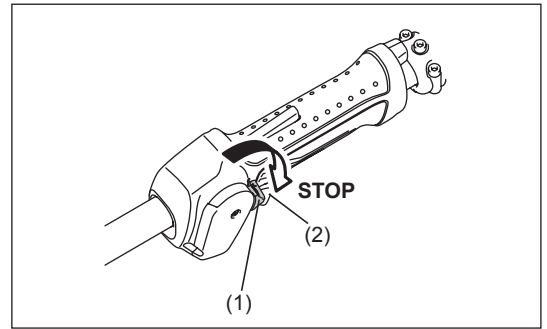
- Make sure that the cutting tool is not touching while restarting.
- Do not pull the throttle lever when restarting. Otherwise the cutting tool starts rotating.



Hold the handle with your right hand, and pull the starter knob strongly.

STOPPING

- 1) Release the throttle lever (2) fully, and when the engine rpm has lowered, set the I-O switch (1) to STOP the engine will now stop.
- 2) The cutting tool continues to rotate a while after stopping the engine. Wait until it stops completely.

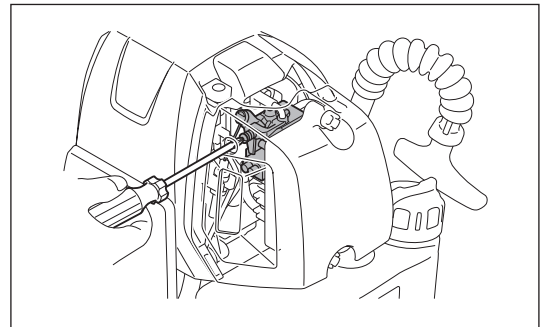


ADJUSTMENT OF IDLE SPEED

When it is necessary to adjust the idle speed, perform it by the carburetor adjusting screw.

CHECKUP OF IDLE SPEED

- Set the idle speed to 3,000 min⁻¹.
If it is necessary to change the idle speed, use a phillips head screw driver on the screw illustrated on the right.
- To increase the idle speed, turn the adjusting screw clockwise.
To reduce the idle speed, turn the adjusting screw counterclockwise.
- The carburetor is factory adjusted. However, after several use the idle speed need to be re-adjusted.



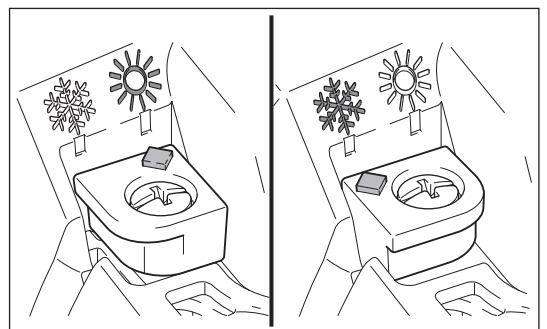
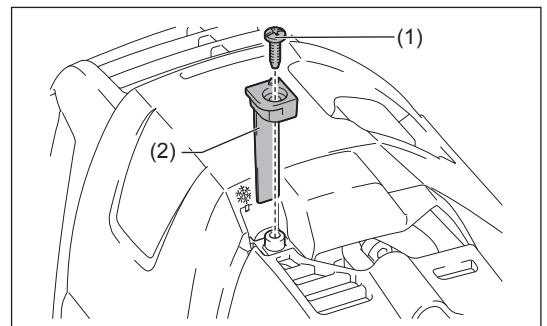
PREVENTION FROM CARBURETOR ICING

⚠ CAUTION:

- When environmental temperature is higher than 10°C, always return the shutter to normal (sun mark) setting. Otherwise the engine may be damaged by overheating.

When the environmental temperature is low and humidity is high, water vapor may freeze inside the carburetor and the engine drives unsteadily (carburetor icing). Change the setting of the shutter as follows if necessary.

1. Remove the screw (1).
2. Change the direction of the shutter (2) as follows:
 - Environment temperature is higher than 10°C: Set the shutter in normal position (sun mark).
 - Environment temperature is equal or lower than 10°C: Set the shutter in anti-icing position (snow mark).
3. Tighten the screw.



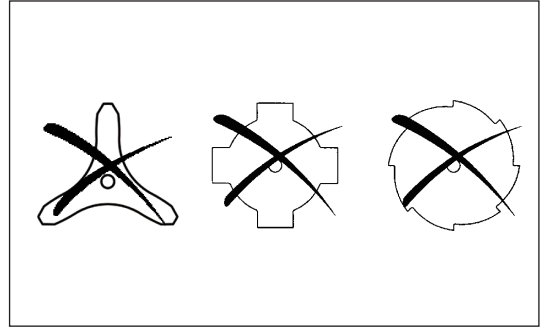
RESHARPENING THE CUTTING TOOL

⚠ CAUTION:

- The cutting tools shown in the illustration are not to be sharpened. Manual resharpening will result in imbalances of the cutting tool causing vibrations and damage to the equipment.

NOTE:

- To increase the service life of the cutter blade it may be turned over once, until both cutting edges have become blunt.



NYLON CUTTING HEAD

The nylon cutting head is a dual line trimmer head that has bump & feed mechanism.

The nylon cutting head feeds out the nylon cord after tapping the trimmer head on the ground.

Operation

- Increase the nylon cutting head speed to approx. 6,000 min⁻¹. Bump the nylon cutting head lightly on the ground.
- The most effective cutting area is shown by the shaded area.
- If the nylon cord does not feed out, rewind/replace the nylon cord by following the procedures described under "Replacing the nylon cord."

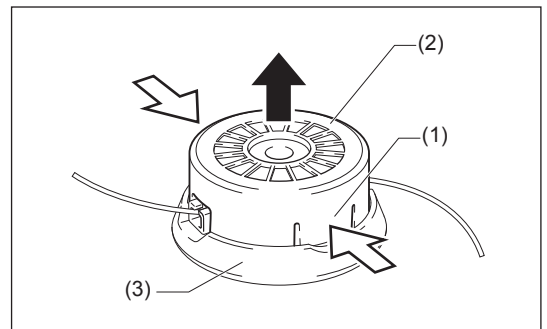


Replacing the nylon cord (BUMP & FEED)

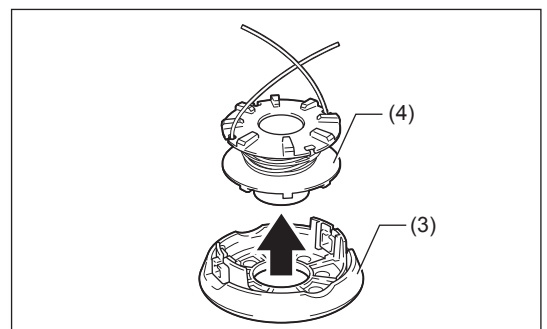
⚠ WARNING:

- Make sure that the cover of the nylon cutting head is secured to the housing properly as described below. Failure to properly secure the cover may cause the nylon cutting head to fly apart resulting in serious personal injury.

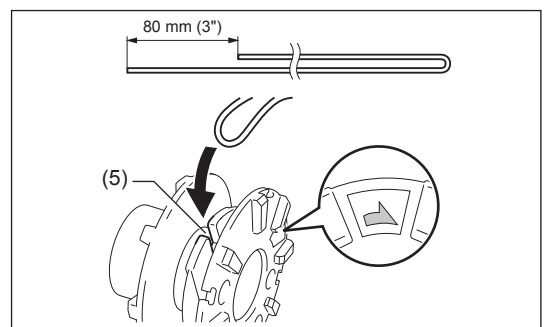
1. Press the latches (1) on the housing (2) inwards and lift upward to remove the cover (3).



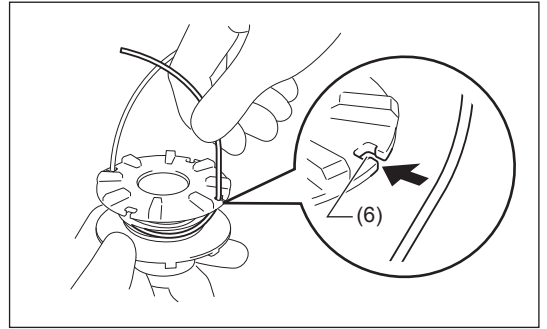
2. Release the nylon cord from the eyelet. And remove the spool (4) from the cover. Discard any of the remaining nylon cord.



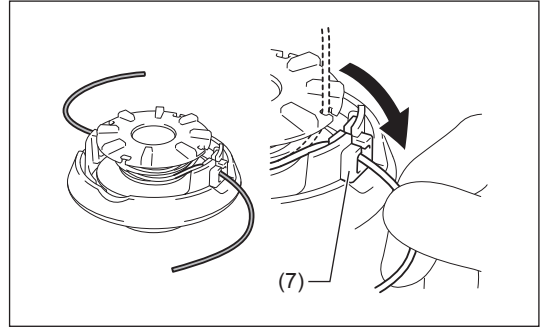
3. Hook the middle of the new nylon cord to the notch (5) located at the center of the spool between the 2 channels. One side of the cord should be about 80 mm (3") longer than the other side. Wind both ends firmly around the spool in the direction of arrow mark on the spool.



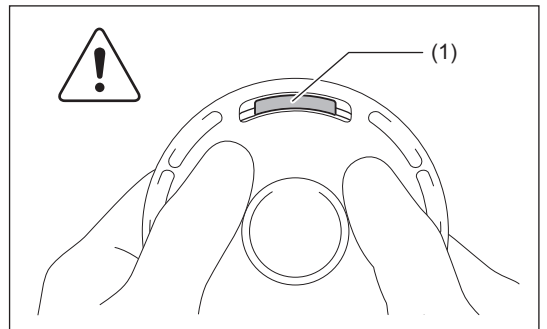
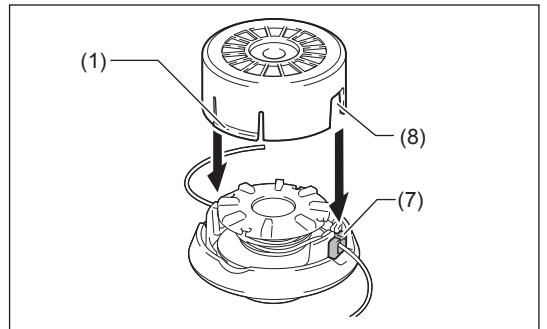
4. Wind all but about 100 mm (4") of the cords, leaving the ends temporarily hooked through notches (6).



5. Mount the spool in the cover as holding notches meet the eyelets (7). Unhook the ends of the cord from their temporary position and feed the cords through the eyelets.



6. Align the square slits (8) on the housing with the eyelets (7). Then push the housing firmly onto the cover to secure it. Make sure the latches (1) fully spread in the cover.



SERVICING INSTRUCTIONS

⚠ CAUTION:

- Before doing any work on the equipment, always stop the engine and pull the plug cap off the spark plug (see “checking the spark plug”). Always wear protective gloves!

To ensure a long service life and to avoid any damage to the equipment, the following servicing operations should be performed at regular intervals.

Daily checkup and maintenance

- Before operation, check the machine for loose screws or missing parts. Pay particular attention to the tightness of the metal blade or nylon cutting head.
- Before operation, always check for clogging of the cooling air passage and the cylinder fins. Clean them if necessary.
- Perform the following work daily after use:
 - Clean the equipment externally and inspect for damage.
 - Clean the air filter. When working under extremely dusty conditions, clean the filter the several times a day.
 - Check the blade or the nylon cutting head for damage and make sure it is firmly mounted.
 - Check that there is sufficient difference between idling and engagement speed to ensure that the cutting tool is at a standstill while the engine is idling (if necessary reduce idling speed).
If under idling conditions the tool should still continue to run, consult your nearest Authorized Service Agent.
- Check the functioning of the I-O switch, the lock-off lever and the throttle lever.

REPLACEMENT OF ENGINE OIL

Deteriorated engine oil will shorten the life of the engine. Be sure to check the oil and level regularly.



WARNING: The engine and engine oil is still hot just after stopping engine. Allow sufficient time for the engine and engine oil to cool down. Otherwise a skin burn may result.

NOTE:

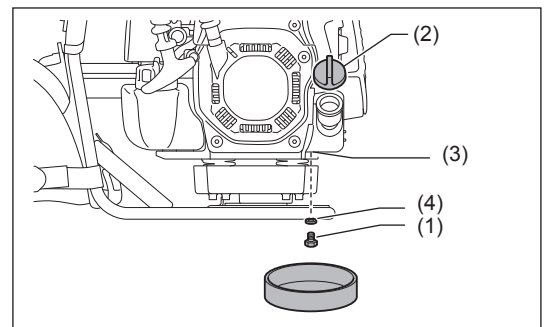
- If the oil filled above the limit, it may be contaminated or may catch fire with white smoke. Allow sufficient time after stopping engine for the engine oil to return to the oil tank to ensure accurate reading of the oil level.

Interval of replacement: After first 20 operating hours, followed by every 50 operating hours.

Recommended oil: SAE10W-30 oil of API Classification SF Class or higher (4-stroke engine oil for automobile)

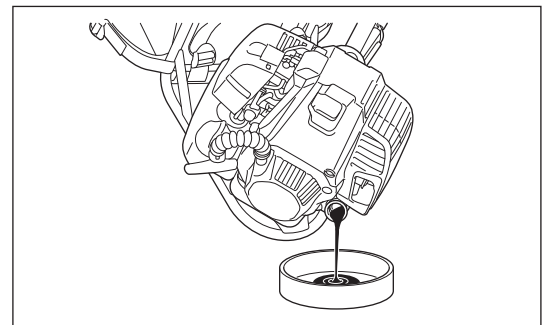
In replacement, perform the following procedure.

- 1) Make sure that the fuel tank cap is tightened securely.
- 2) Place large container (pan, etc.) under drain hole.
- 3) Remove drain bolt (1) and then remove oil cap (2) to drain out oil from drain hole (3).
At this time, be sure not to lose drain bolt's gasket (4), or get dirty any of the removed components.
- 4) Once all the oil has been drained, install gasket and drain bolt, and tightly secure drain bolt, so that it will not loosen and cause leaks.
[Tightening torque: 5 N·m]
* Use cloth to fully wipe off any oil attached to bolt and equipment.



Alternative draining method

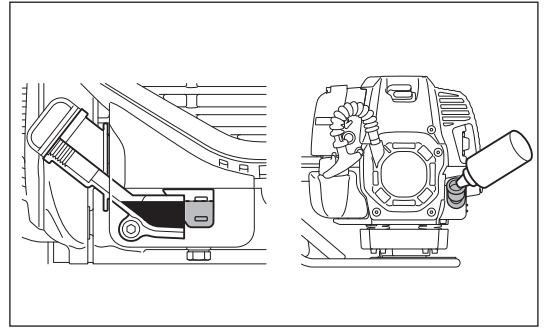
Remove oil cap, tilt the equipment toward oil filler hole, and drain out oil. Collect oil in container.



- 5) Set the engine level, and gradually fill up to upper limit mark with new oil.
- 6) After filling, tightly secure oil cap, so that it will not loosen and cause leaks.
If oil cap is not tightly secured, it may leak.

POINTS ON OIL

- Never discard replaced engine oil in garbage, earth or sewage ditch. Disposal of oil is regulated by law. In disposal, always follow the relevant laws and regulations. For any points remaining unknown, contact Authorized Service Agent.
- Oil will deteriorate even when it is kept unused. Perform inspection and replacement at regular intervals (replace with new oil every 6 months).



CLEANING OF AIR CLEANER



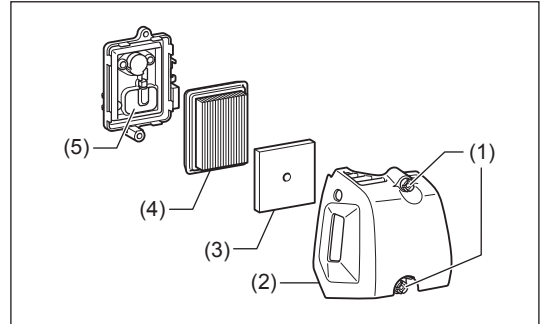
WARNING: Shut off the engine, keep away from open flames and do not smoke.

Interval of Cleaning and Inspection: Daily (every 10 operating hours)

- Turn the choke lever to the full close side, and keep the carburetor off from dust or dirt.

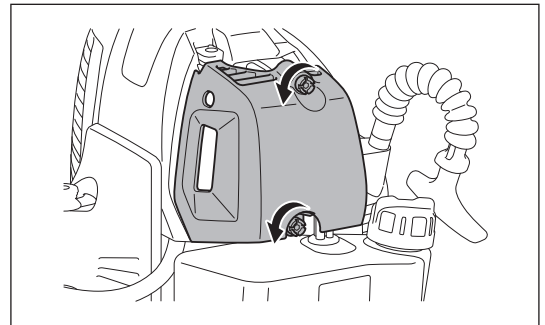
Removing air cleaner cover

- Loosen two fixing bolts (1).
- Pull and remove the air cleaner cover (2).



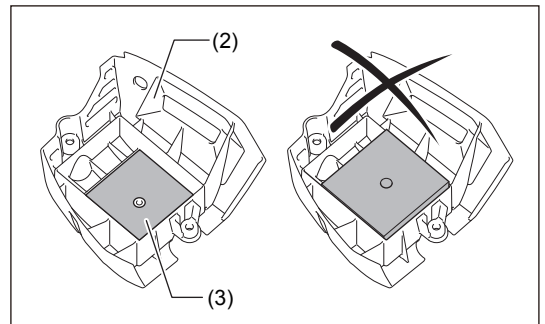
Cleaning element

- Remove the elements (3, 4) and tap them to remove dirt.
- For heavy contamination:
 - 1) Remove the element (sponge) (3), immerse it in warm water or in water-diluted neutral detergent, and dry it completely. Do not squeeze or rub it when washing.
 - 2) Clean the element (paper) (4) by tapping it gently. If you can use an air blow gun, blow the compressed air onto the inside of the element (paper). Do not wash the element (paper).
- Before attaching the element (sponge), be sure to dry it completely. Insufficient drying of the element (sponge) may lead to difficult start-up.
- Wipe out oil adhering around the air cleaner cover and separator plate (5) with waste cloth.



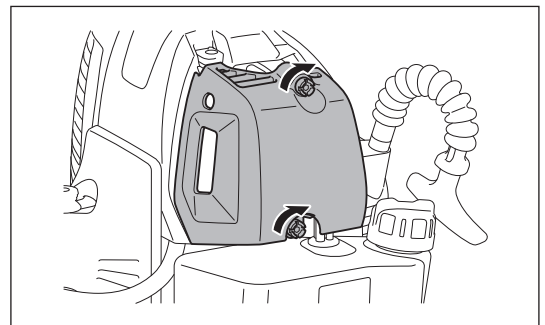
Attaching air cleaner cover

- Fit the element (sponge) and element (paper). Insert the element (sponge) all the way into the air cleaner cover.
- Tighten the air cleaner cover with two fixing bolts.



NOTICE:

- Clean the elements several times a day, if excessive dust adheres to it. Dirty elements reduce engine power and make starting engine difficult.
- Remove oil on the elements. If operation continues with the elements remaining not cleared of oil, oil in the air cleaner may fall outside, resulting in contamination of the environment.
- Do not put the elements on the ground or dirty place. Otherwise they pick up dirt or debris and it may damage the engine.
- Never use fuel for cleaning the elements. Fuel may damage them.

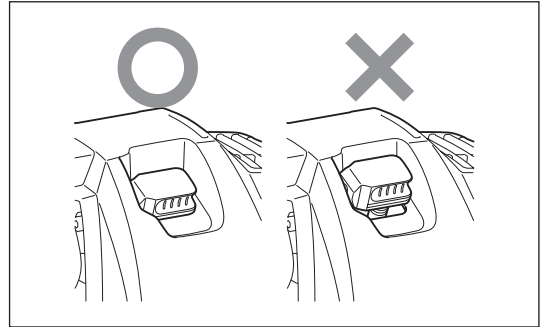
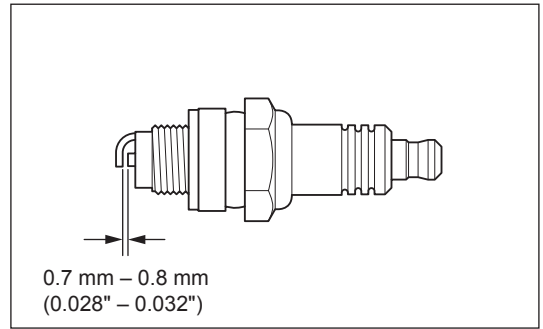


CHECKING THE SPARK PLUG

- Only use the supplied universal wrench to remove or to install the spark plug.
- The gap between the two electrodes of the spark plug should be 0.7 – 0.8 mm (0.028" – 0.032"). If the gap is too wide or too narrow, adjust it. If the spark plug is clogged or contaminated, clean it thoroughly or replace it. Place the plug cap properly as illustrated after checking.

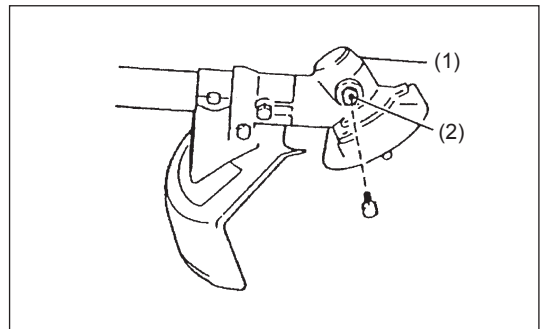
⚠ CAUTION:

- Never touch the spark plug connector while the engine is running (danger of high voltage electric shock).



SUPPLY OF GREASE TO GEAR CASE

- Supply grease (Shell Alvania 2 or equivalent) to the gear case (1) through the grease hole (2) every 25 hours. (Genuine DOLMAR grease may be purchased from your DOLMAR dealer.)

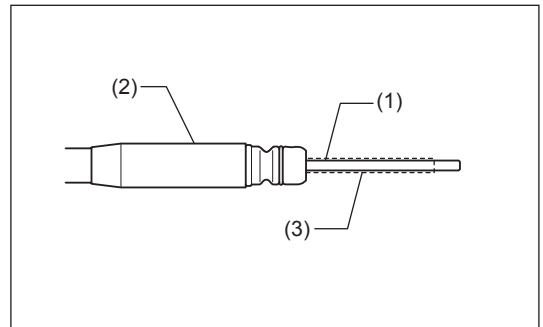


SUPPLY OF GREASE TO THE FLEXIBLE SHAFT

1. Remove the flexible shaft from the clutch case and the straight shaft. To remove the flexible shaft from the clutch case, pull up the knob and remove it. To remove the flexible shaft from the straight shaft, remove the bolt and remove it.
2. Pull out the inner shaft (1) from the flexible liner (2), and apply grease (Shell Alvania 2 or equivalent) (3) on the inner shaft for every 25 hours. (Genuine DOLMAR grease may be purchased from your DOLMAR dealer.)

NOTICE:

- The flexible shaft may be broken if no grease is applied.
- For extending service life of the parts, reinstall each end of the flexible shaft onto the opposite side, i.e. formerly engine side onto the control lever side.



CLEANING OF FUEL FILTER

WARNING: INFLAMMABLES STRICTLY PROHIBITED

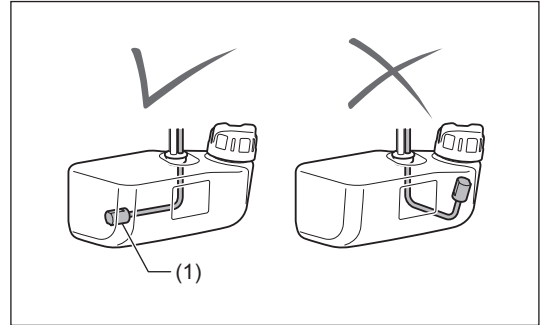
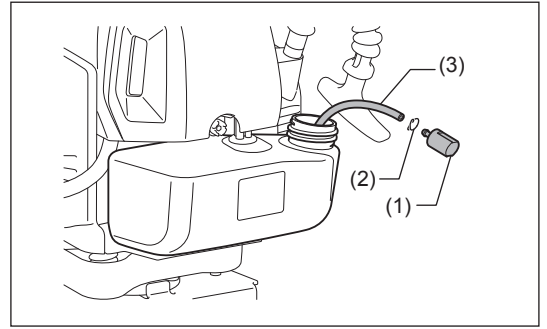
Interval of Cleaning and Inspection: Monthly (every 50 operating hours)

Suction head in the fuel tank

Check the fuel filter (1) periodically. To check the fuel filter, follow the steps below:

1. Remove the fuel tank cap, drain the fuel to empty the tank. Check the tank inside for any foreign materials. If any, remove them.
2. Pull out the suction head by using a wire hook through the tank opening.
3. If the fuel filter clogged slightly, clean it. To clean it, gently shake and tap it in fuel. To avoid damage, do not squeeze or rub it. The fuel used for the cleaning must be disposed in accordance with the method specified by regulations in your country.
If the fuel filter became hard or heavily clogged up, replace it.
4. After checking, cleaning or replacing, insert the fuel filter into the fuel pipe (3) and fix it by the hose clamp (2). Push the fuel filter in all the way to the bottom of the fuel tank.

Clogged or damaged fuel filter can cause insufficient fuel supply and reduce engine power. Replace the fuel filter at least quarterly to ensure satisfactory fuel supply to the carburetor.



REPLACEMENT OF FUEL PIPE

CAUTION: INFLAMMABLES STRICTLY PROHIBITED

Interval of Cleaning and Inspection: Daily (every 10 operating hours)

Replacement: Annually (every 200 operating hours)

Replace the fuel pipe (1) every year, regardless of operating frequency. Fuel leakage may lead to fire.

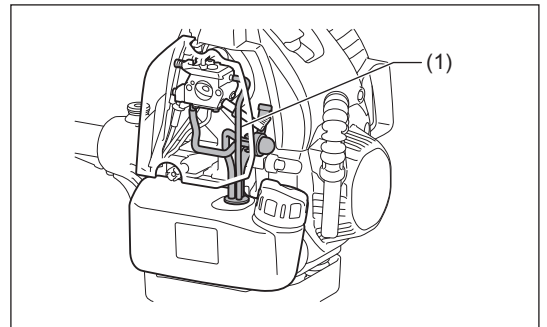
If any leakage is detected during inspection, replace the fuel pipe immediately.

INSPECTION OF BOLTS, NUTS AND SCREWS

- Retighten loose bolts, nuts, etc.
- Check the fuel cap and oil cap for tightness. Check for fuel and oil leakage.
- Replace damaged parts with new ones for safety operation.

CLEANING OF PARTS

- Always keep the engine clean by wiping down with a cloth rag.
- Keep the cylinder fins free of dust or dirt. Dust or dirt adhering to the fins will cause piston seizure.



REPLACEMENT OF GASKETS AND PACKINGS

Replace gaskets and packings if the engine is disassembled.

Any maintenance or adjustment work that is not included and described in this manual is only to be performed by Authorized Service Agents.

STORAGE

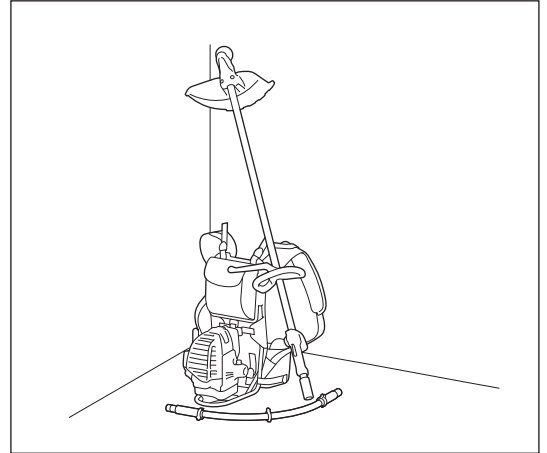


WARNING: The engine is still hot just after stopping engine. When draining the fuel, allow sufficient time for the engine to cool down after stopping it. Otherwise a skin burn and/or fire may result.



DANGER: When the machine is kept out of operation for a long time, drain all fuel from the fuel tank and carburetor, and keep it at a dry and clean place.

- Drain fuel from the fuel tank and carburetor according to the following procedure:
 - 1) Remove the fuel tank cap, and drain fuel completely.
If there is any foreign matter remaining in the fuel tank, remove it completely.
 - 2) Pull out the fuel filter from the refill port using a wire.
 - 3) Push the primer pump until fuel is drained from there, and drain fuel coming into the fuel tank.
 - 4) Put the filter to the fuel tank, and securely tighten the fuel tank cap.
 - 5) Then, continue to operate the engine until it stops.
- Remove the spark plug, and drip several drops of engine oil through the spark plug hole.
- Gently pull the starter handle so that engine oil will spread over the engine, and attach the spark plug.
- Attach the cover to the metal blade.
- In general, store the machine as illustrated. Pay full attention how to store the machine to prevent the straight shaft from falling. Otherwise it may result in personal injury.
- Keep the drained fuel in a special container in a well-ventilated shade.



Attention after long-time storage

- Before startup after long-time shutdown, be sure to replace oil (refer to P. 23). Oil will deteriorate while the machine is kept out of operation.

Item	Operating time	Before operation	After refuelling	Daily (10h)	25h	50h	200h	Before storage	Corresponding P
Engine oil	Inspect	○							14
	Replace					○*1			23
Tightening parts (bolt, nut)	Inspect	○							26
Fuel tank	Clean/inspect	○							—
	Drain fuel							○*3	27
Throttle lever	Check function		○						—
Stop switch	Check function		○						23
Cutting tool	Inspect	○		○					13
Idle speed	Inspect/adjust			○					20
Air cleaner	Clean			○					24
Spark plug	Inspect			○					25
Cooling air passage and cylinder fins	Clean/inspect			○					26
Fuel pipe	Inspect			○					26
	Replace						◎*2		26
Gear-case grease	Refill				○				25
Flexible shaft	Grease up / changing installation direction				○				25
Fuel filter	Clean/replace					○			26
Valve clearance (intake valve and exhaust valve)	Inspect/adjust						◎*2		—
Carburetor	Drain fuel							○*3	27

*1 Perform initial replacement after 20h operation.

*2 For the 200 operating hour inspection, request Authorized Service Agent or a machine shop.

*3 After emptying the fuel tank, continue to run the engine and drain fuel in the carburetor.

TROUBLESHOOTING

Before making a request for repairs, check for trouble by yourself. If any abnormality is found, control your machine according to the description of this manual. Never tamper or dismount any part contrary to the description. For repairs, contact Authorized Service Agent or local dealership.

State of abnormality	Probable cause (malfunction)	Remedy
Engine does not start.	I-O switch is set to STOP.	Set the I-O switch to OPERATION.
	Failure to operate primer pump.	Push 7 to 10 times.
	Low pulling speed of starter rope.	Pull strongly.
	Lack of fuel.	Feed fuel.
	Clogged fuel filter.	Clean.
	Bent fuel tube.	Straighten fuel tube.
	Deteriorated fuel.	Deteriorated fuel makes starting more difficult. Replace with new fuel. (Recommended replacement: 1 month)
	Excessive suction of fuel.	Set throttle lever from medium speed to high speed, and pull starter handle until engine starts. Once engine starts, cutting tool starts rotating. Pay full attention to cutting tool. If engine will not start still, remove spark plug, dry the electrode, and reassemble them as they originally are. Then, start as specified.
	Detached plug cap.	Attach securely.
	Contaminated spark plug.	Clean.
	Abnormal clearance of spark plug.	Adjust clearance.
	Other abnormality of spark plug.	Replace.
	Abnormal carburetor.	Make request for inspection and maintenance.
	Starter rope cannot be pulled.	Make request for inspection and maintenance.
Abnormal drive system.	Make request for inspection and maintenance.	
Engine stops soon. Engine speed does not increase.	Insufficient warm-up.	Perform warm-up operation.
	Choke lever is set to "CLOSE" although engine is warmed up.	Set to "OPEN".
	Clogged fuel filter.	Clean.
	Contaminated or clogged air cleaner.	Clean.
	Abnormal carburetor.	Make request for inspection and maintenance.
	Abnormal drive system.	Make request for inspection and maintenance.
Metal blade does not rotate. ↓ Stop engine immediately.	Loosened metal blade-tightening nut.	Tighten securely.
	Twigs caught by metal blade or dispersion-preventing cover.	Remove foreign matter.
	Abnormal drive system.	Make request for inspection and maintenance.
Main unit vibrates abnormally. ↓ Stop engine immediately.	Broken, bent or worn metal blade.	Replace metal blade.
	Loosened metal blade-tightening nut.	Tighten securely.
	Shifted convex part of metal blade and metal blade support fitting.	Attach securely.
	Abnormal drive system.	Make request for inspection and maintenance.
Metal blade does not stop immediately. ↓ Stop engine immediately.	High idling rotation.	Adjust.
	Detached throttle wire.	Attach securely.
	Abnormal drive system.	Make request for inspection and maintenance.
Engine does not stop. ↓ Run engine at idling, and set choke lever to "CLOSE".	Detached connector.	Attach securely.
	Abnormal electric system.	Make request for inspection and maintenance.

Merci beaucoup d'avoir acheté cet appareil électrique pour l'extérieur de DOLMAR. Nous sommes ravis de vous recommander ce produit DOLMAR, résultat d'un long programme de développement et de nombreuses années d'expérience et de connaissances.













Veuillez lire ce livret qui explique en détail les nombreuses caractéristiques qui en font un outil d'une performance exceptionnelle. Il vous aidera à obtenir les meilleurs résultats possibles de votre produit DOLMAR.



Table des matières	Page
Symboles.....	30
Consignes de sécurité.....	31
Caractéristiques techniques.....	35
Nomenclature des pièces.....	36
Montage de la poignée.....	37
Montage de l'arbre flexible.....	38
Montage du dispositif de protection.....	39
Montage de la lame métallique ou de la tête à fil de nylon.....	41
Avant de commencer.....	42
Maniement correct de l'appareil.....	44
Comment démarrer et arrêter le moteur.....	46
Réaffûtage de l'outil de coupe.....	49
Instructions d'entretien.....	51
Entreposage.....	55
Résolution de problèmes.....	57

SYMBOLES

Le manuel d'instruction contient les symboles suivants.

	Lisez le manuel d'instructions et respectez les avertissements et précautions de sécurité !		Éloignez les personnes et les animaux du lieu de travail !
	Faites preuve de soin et d'attention !		Porter un casque protecteur, des lunettes de protection et des protège-oreilles
	Interdit !		Vitesse d'outil maximale autorisée
	Restez à distance !		Carburant (essence)
	Danger d'objets volants !		Démarrage manuel du moteur
	Choc en retour !		Arrêt d'urgence
	Ne pas fumer		Premiers secours
	Pas de flammes nues !		SOUS TENSION/DÉMARRAGE
	Portez des gants de protection !		HORS TENSION/ARRÊT
	Porter des bottes robustes équipées de semelles antidérapantes. Les bottes de sécurité à protection métallique à l'avant sont recommandées !		

CONSIGNES DE SÉCURITÉ

Instructions générales

- Lisez ce manuel d'instructions pour vous familiariser avec l'utilisation de l'appareil. Sans ces informations, vous risquez de vous mettre en danger ou de blesser d'autres personnes à cause d'une utilisation incorrecte.
- Il est préférable de ne prêter l'appareil qu'à des personnes expérimentées. Prêtez-leur systématiquement le manuel d'instruction.
- Veuillez d'abord solliciter des instructions de base auprès du vendeur, afin de vous familiariser avec le fonctionnement de la débroussailleuse.
- Les enfants et les adolescents de moins de 18 ans ne doivent pas utiliser cet appareil. Les personnes de plus de 16 ans peuvent l'utiliser à des fins de formation, mais sous la supervision d'un formateur agréé.
- Faites preuve d'une extrême vigilance et attention.
- Utilisez l'appareil uniquement si vous êtes en bonne condition physique. Effectuez tout le travail avec calme et prudence. Vous êtes responsable par rapport aux autres personnes.
- N'utilisez jamais cet appareil après avoir consommé de l'alcool ou de la drogue, ou bien si vous vous sentez fatigué ou malade.
- Les lois en vigueur peuvent restreindre l'utilisation de l'outil.

Utilisation prévue de l'appareil

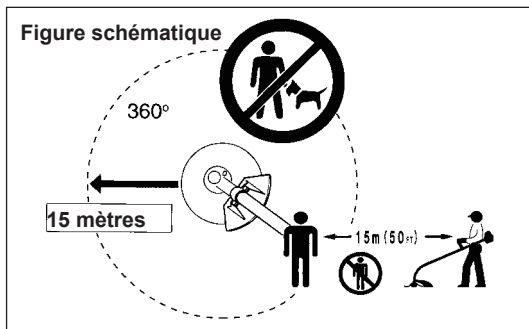
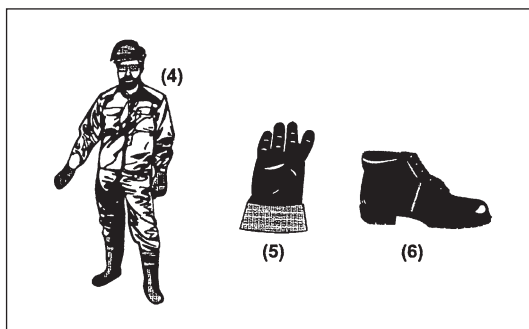
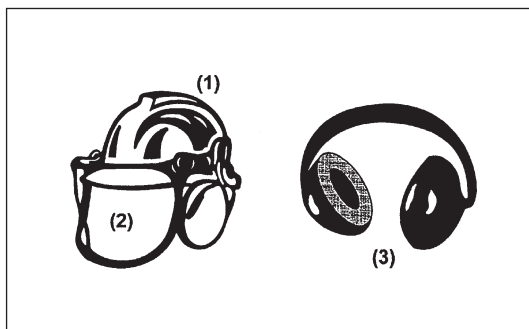
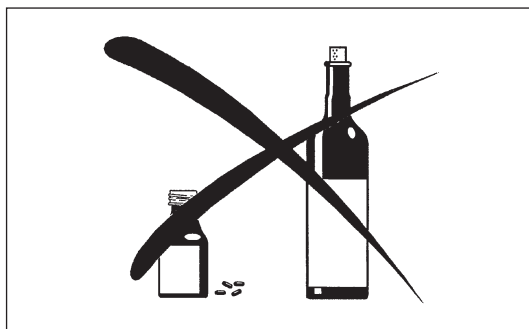
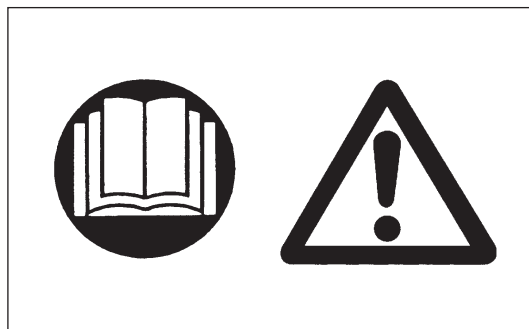
- Cet appareil est destiné uniquement à couper le gazon, les mauvaises herbes, les buissons et les sous-bois. Il ne doit pas être utilisé à d'autres fins, telles que la taille des bordures ou des haies, car cela comporte un risque de blessure.

Équipement de protection individuelle

- Les vêtements que vous portez doivent être fonctionnels et adaptés, c'est-à-dire qu'ils doivent être près du corps, sans pour autant gêner vos mouvements. Ne portez pas de bijoux ou de vêtements qui pourraient s'emmêler dans les taillis ou les petits arbustes.
- L'équipement de protection suivant ainsi que les vêtements de protection doivent être utilisés afin d'éviter des blessures au pied, à la main, aux yeux et à la tête ainsi que pour protéger votre ouïe durant l'utilisation.
- Portez toujours un casque en cas de risque de chute d'objets. Le casque de protection (1) doit être vérifié régulièrement pour parer à d'éventuels dommages et il doit être remplacé au plus tard tous les 5 ans. N'utilisez que des casques de protection agréés.
- La visière (2) du casque (ou alternativement les lunettes) protège le visage des débris et des pierres qui volent. Pendant l'utilisation, portez toujours des lunettes de protection ou une visière pour éviter toute blessure aux yeux.
- Portez un équipement de protection antibruit adéquat afin d'éviter toute perte auditive (coquilles antibruit (3), bouchons d'oreille etc.).
- Les vêtements de travail (4) protègent contre les débris et les pierres qui volent. Il est fortement recommandé de porter des vêtements de travail.
- Les gants (5) font partie de l'équipement prescrit et doivent toujours être portés pendant l'utilisation.
- Lorsque vous utilisez l'appareil, portez toujours des chaussures robustes (6) équipées de semelles anti-dérapantes. Elles vous protégeront des blessures éventuelles et vous assureront une bonne stabilité.

Démarrage de la débroussailleuse

- Éloignez les personnes et les enfants à une distance minimum de 15 mètres du lieu de travail et faites attention aux animaux qui pourraient se trouver à proximité.
- Avant l'utilisation, vérifiez toujours que l'appareil ne présente aucun danger : Vérifiez la sécurité de l'outil de coupe, la maniabilité du levier de manœuvre ainsi que le bon fonctionnement du verrouillage du levier d'accélération.
- Il est interdit de faire tourner le dispositif de coupe lorsque l'outil fonctionne au ralenti. En cas de doute, vérifiez le réglage avec votre revendeur. Vérifiez que les poignées sont propres et sèches et que l'interrupteur marche/arrêt fonctionne correctement.

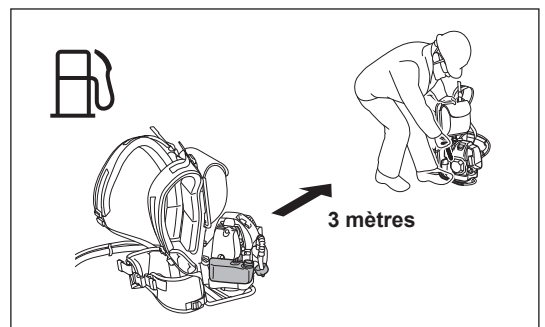
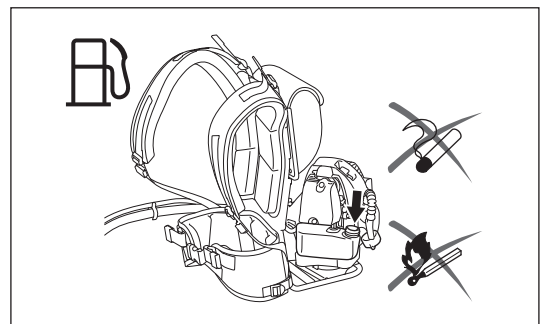
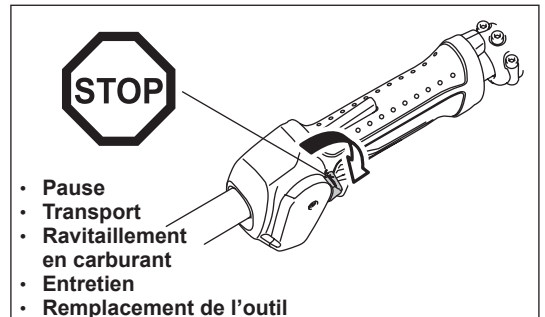
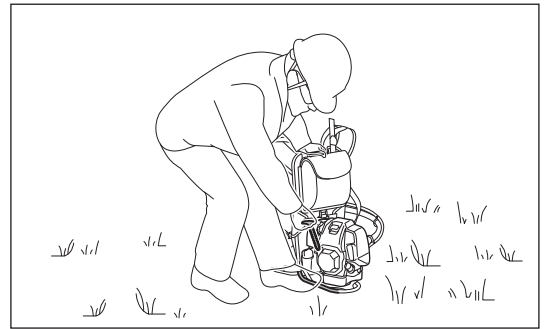


Ne démarrez la débroussailleuse qu'en conformité avec les instructions.

- Ne démarrez pas le moteur selon une autre méthode !
- Utilisez la débroussailleuse et les outils uniquement pour les applications spécifiées.
- Ne démarrez le moteur qu'après avoir procédé au montage complet de l'appareil. Le fonctionnement de l'outil n'est autorisé qu'une fois l'ensemble des accessoires appropriés fixés !
- Avant de commencer, assurez-vous que l'outil de coupe n'est pas en contact avec des objets durs tels que des branches, des pierres, etc. car il tournera au démarrage.
- En cas de problème avec le moteur, éteignez-le immédiatement.
- Si l'outil de coupe heurte des pierres ou d'autres objets durs, coupez immédiatement le moteur et examinez l'outil de coupe.
- Examinez l'outil de coupe à intervalles réguliers courts pour vous assurer qu'il n'a pas subi de dommages (détection de fissures capillaires à l'aide du test de tapping).
- En cas de chute ou d'impact de l'appareil, vérifiez qu'il est en bon état avant de poursuivre le travail. Vérifiez qu'il n'y a pas de fuite de carburant dans le circuit d'alimentation et que les commandes et dispositifs de sécurité fonctionnent correctement. En cas de dommage ou de doute, demandez à notre centre d'entretien agréé d'examiner et de réparer l'outil.
- N'utilisez l'appareil qu'avec le harnais fixé que vous devez régler correctement avant de mettre la débroussailleuse en marche. Il est très important de régler le harnais selon votre taille afin d'éviter toute fatigue supplémentaire pendant l'utilisation. Ne tenez jamais l'outil d'une seule main pendant l'utilisation.
- Tenez toujours la débroussailleuse à deux mains. Assurez-vous toujours d'avoir une bonne stabilité.
- Utilisez l'appareil de façon à éviter d'inhaler les gaz d'échappement. Ne faites jamais tourner le moteur dans une pièce confinée (risque d'intoxication aux gaz). Le monoxyde de carbone est un gaz inodore.
- Éteignez le moteur lorsque vous faites une pause ou laissez l'appareil sans surveillance, et placez-le dans un endroit sûr pour éviter de mettre en danger les autres personnes ou d'endommager l'outil.
- Ne placez jamais la débroussailleuse sur de l'herbe sèche ou des matériaux combustibles.
- Installez toujours le carter de l'outil de coupe approuvé sur l'appareil avant de démarrer le moteur.
Dans le cas contraire, la mise en contact avec l'outil de coupe risque de causer de graves blessures.
- Toutes les installations protectrices et tous les carters fournis avec l'appareil doivent être utilisés pendant le fonctionnement.
- Ne faites jamais fonctionner le moteur si le pot d'échappement est endommagé.
- Éteignez le moteur pendant le transport.
- Lorsque vous transportez l'appareil, fixez toujours le couvercle sur la lame métallique.
- Pour éviter toute fuite de carburant, assurez-vous que l'appareil est bien fixé lors des transports en voiture.
- Lors du transport, assurez-vous que le réservoir de carburant est complètement vide.
- Lorsque vous déchargez l'appareil du coffre, ne laissez jamais tomber le moteur au sol, car cela risquerait d'endommager le réservoir de carburant.
- Sauf en cas d'urgence, ne laissez jamais tomber l'appareil et ne le jetez pas sur le sol, au risque de l'endommager grièvement.

Ravitaillement en carburant

- Lors du ravitaillement en carburant, coupez le moteur, éloignez-le des flammes nues et ne fumez pas.
- Évitez tout contact entre la peau et les huiles minérales. N'inhalez pas les vapeurs de carburant. Portez toujours des gants de protection durant le ravitaillement en carburant. Changez et nettoyez régulièrement les vêtements de protection.
- Veillez à ne pas renverser de carburant ou d'huile, afin d'éviter toute contamination du sol (protection environnementale). Nettoyez immédiatement la débroussailleuse en cas d'écoulement de carburant.
- Évitez tout contact entre vos vêtements et le carburant. Si vous renversez du carburant sur vos vêtements, changez-en immédiatement (pour éviter que vos vêtements ne prennent feu).
- Vérifiez régulièrement le bouchon du réservoir pour vous assurer qu'il est bien fermé et ne fuit pas.
- Serrez soigneusement le bouchon du réservoir de carburant. Déplacez-vous pour démarrer le moteur (éloignez-vous à au moins 3 mètres de l'endroit où vous avez fait le plein).
- Ne faites jamais le plein dans une pièce confinée. Les vapeurs de carburant s'accumulent au niveau du sol (risque d'explosion).
- Transportez et stockez le carburant uniquement dans des récipients agréés. Assurez-vous que les enfants ne peuvent pas accéder au carburant stocké.
- Faites toujours le plein sur une surface plane pour éviter une perte de carburant.



Mode d'emploi

- N'utilisez l'appareil que si les conditions d'éclairage et de luminosité sont satisfaisantes. En hiver, soyez attentif aux zones glissantes ou mouillées, au verglas et à la neige (risque de glissade). Assurez-vous toujours d'avoir une bonne stabilité.
- Ne coupez jamais à une hauteur supérieure aux épaules.
- Ne montez jamais sur une échelle.
- Ne montez jamais dans un arbre pour procéder à la coupe.
- Ne travaillez jamais sur des surfaces instables.
- Enlevez le sable, les pierres, les clous etc., trouvés à l'intérieur du périmètre de travail.
Des corps étrangers peuvent endommager l'outil de coupe et causer des chocs en retour dangereux.
- Avant de commencer à couper, l'outil de coupe doit avoir atteint sa vitesse de travail maximale.
- Lorsque vous utilisez les lames métalliques, balancez l'outil régulièrement en demi-cercles de droite à gauche, comme si vous utilisiez une faux.
Si de l'herbe ou des branches sont happées entre l'outil de coupe et la protection, arrêtez toujours le moteur avant de procéder au nettoyage. Dans le cas contraire, la rotation involontaire de la lame pourrait provoquer des blessures graves.
- Faites une pause pour éviter toute perte de contrôle liée à la fatigue. Il est recommandé de faire une pause de 10 à 20 minutes toutes les heures.
- Ne laissez pas l'outil de coupe toucher le sol pendant le fonctionnement. Il risquerait autrement de frapper un objet, ce qui présente un risque de blessure corporelle.
- Maintenez la lame métallique parallèle au sol pendant le fonctionnement.

Outils de coupe

- Utilisez un outil de coupe adapté au travail à effectuer.
Les têtes à fil de nylon (têtes de taille à fils) conviennent au taillage du gazon. Les lames métalliques conviennent à la taille des mauvaises herbes, des herbes hautes, des buissons, des petits arbustes, des sous-bois, des fourrés, etc.
N'utilisez jamais d'autres lames, notamment des chaînes pivotantes métalliques composées de plusieurs éléments et les fléaux. Dans le cas contraire, vous risqueriez de vous blesser grièvement.
- Lors de l'utilisation de lames métalliques, évitez les « Chocs en retour » et préparez-vous toujours à un choc en retour accidentel. Reportez-vous à la section « Choc en retour ».

Choc en retour (poussée de lame)

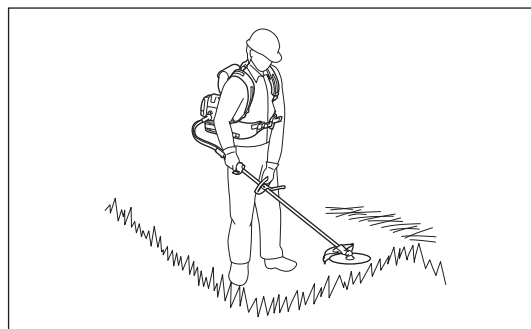
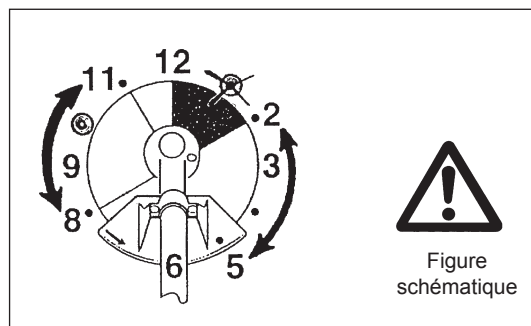
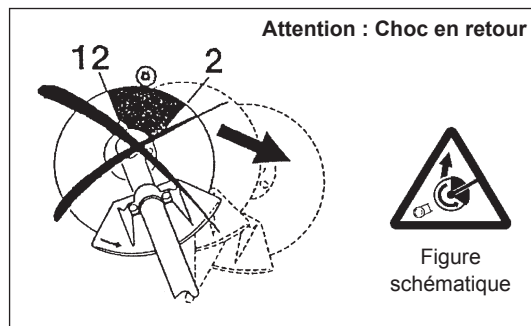
- Le choc en retour (poussée de lame) est une réaction soudaine d'une lame métallique agrippée ou coincée. Lorsque cela se produit, l'outil est projeté fortement sur le côté ou vers l'opérateur et il peut provoquer des blessures graves.
- Le choc en retour se produit en particulier lorsque vous appliquez le segment de lame entre 12 heures et 2 heures sur des corps solides, des buissons ou des arbres de 3 cm de diamètre ou plus.
- Pour éviter les chocs en retour :
 - Appliquez le segment entre 8 heures et 11 heures ;
 - N'appliquez jamais le segment entre 12 heures et 2 heures ;
 - N'appliquez jamais le segment entre 11 heures et 12 heures et entre 2 heures et 5 heures, sauf si vous avez reçu une bonne formation et êtes expérimenté(e), et ceci à vos propres risques ;
 - N'utilisez jamais les lames métalliques près d'éléments solides, tels que des barrières, des murs, des troncs d'arbres et des pierres ;
 - N'utilisez jamais les lames métalliques verticalement pour tailler des bordures ou des haies.

Vibrations

- Les personnes souffrant de troubles circulatoires peuvent subir des blessures au niveau des vaisseaux sanguins ou du système nerveux si elles sont exposées à des vibrations excessives. Les vibrations peuvent entraîner les symptômes suivants aux doigts, mains ou poignets : engourdissement, picotements, douleur, sensation lancinante, changement de couleur de la peau ou altération de la peau. Si l'un ou l'autre de ces symptômes apparaît, consultez un médecin !
- Pour réduire le risque de « maladie des doigts blancs », gardez vos mains au chaud lors de l'utilisation et entretenez bien le matériel et les accessoires.

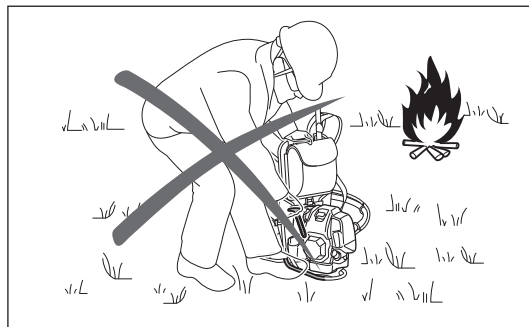
Instructions d'entretien

- Faites entretenir votre matériel par notre centre d'entretien agréé, en utilisant toujours des pièces de rechange d'origine. Des réparations incorrectes et un mauvais entretien peuvent raccourcir la durée de vie du matériel et augmenter le risque d'accident.
- Avant de commencer à utiliser l'outil, vérifiez son état, notamment l'outil de coupe, les dispositifs de protection et le harnais. Examinez également avec une attention toute particulière les lames métalliques, qui doivent être bien affûtées.
- Coupez le moteur et retirez le connecteur de bougies lorsque vous remplacez ou aiguisiez les dispositifs de coupe et lorsque vous nettoyez la lame de coupe ou le dispositif de coupe.



Ne redressez et ne soudez jamais des outils de coupe endommagés.

- Respectez l'environnement. Pour réduire la pollution et les émissions sonores, évitez tout fonctionnement inutile du papillon des gaz. Réglez correctement le carburateur.
- Nettoyez régulièrement l'appareil et vérifiez que l'ensemble des vis et des écrous est bien serré.
- Ne procédez jamais à l'entretien de l'appareil et ne le rangez pas à proximité de flammes nues.
- Rangez toujours l'appareil dans une pièce fermée, après avoir vidé le réservoir de carburant.
- Lors du nettoyage, de l'entretien et du stockage de l'appareil, fixez toujours le couvercle à la lame métallique.



Respectez les instructions de prévention des accidents publiées par les associations professionnelles concernées et les compagnies d'assurance. N'effectuez aucune modification sur l'appareil, au risque de mettre votre sécurité en danger.

L'exécution de l'entretien ou des réparations par l'utilisateur se limite aux activités décrites dans le mode d'emploi. Toute autre tâche doit être réalisée par un agent d'entretien agréé. N'utilisez que des pièces de rechange et des accessoires d'origine fournis par DOLMAR. L'utilisation d'accessoires ou d'outils non agréés augmente les risques d'accident. DOLMAR n'acceptera aucune responsabilité en cas d'accidents ou de dommages causés par l'utilisation d'outils de coupe, de dispositifs de fixation d'outils de coupe ou d'accessoires non approuvés.

Premiers secours

En cas d'accident, assurez-vous qu'une trousse de premiers secours se trouve à proximité des opérations de coupe. Remplacez immédiatement tout article pris dans la trousse de premiers secours.

Lorsque vous demandez de l'aide, veuillez fournir les renseignements suivants :

- Lieu de l'accident
- Ce qui s'est passé
- Nombre de personnes blessées
- Types de blessures
- Votre nom



Pour les pays d'Europe uniquement

Déclaration de conformité CE

Makita déclare que la ou les machines suivantes :

Nom de la machine : Débrousailleuse à Dos
N° de modèle/Type : MS-4300.4 R

sont conformes aux directives européennes suivantes :

2000/14/CE, 2006/42/CE

Elles sont produites conformément aux normes ou documents de normalisation suivants :

EN ISO 11806-2

La Fiche technique conformément à 2006/42/CE est disponible auprès de :

Makita, Jan-Baptist Vinkstraat 2, 3070, Belgique

La procédure d'évaluation de la conformité requise par la directive 2000/14/CE est conforme à l'annexe V.

(Avec tête à fil de nylon)

Niveau de puissance sonore mesurée : 110,6 dB

Niveau de puissance sonore garantie : 111 dB

(Avec lame de coupe)

Niveau de puissance sonore mesurée : 104,1 dB

Niveau de puissance sonore garantie : 105 dB

1.9.2014

Yasushi Fukaya
Directeur

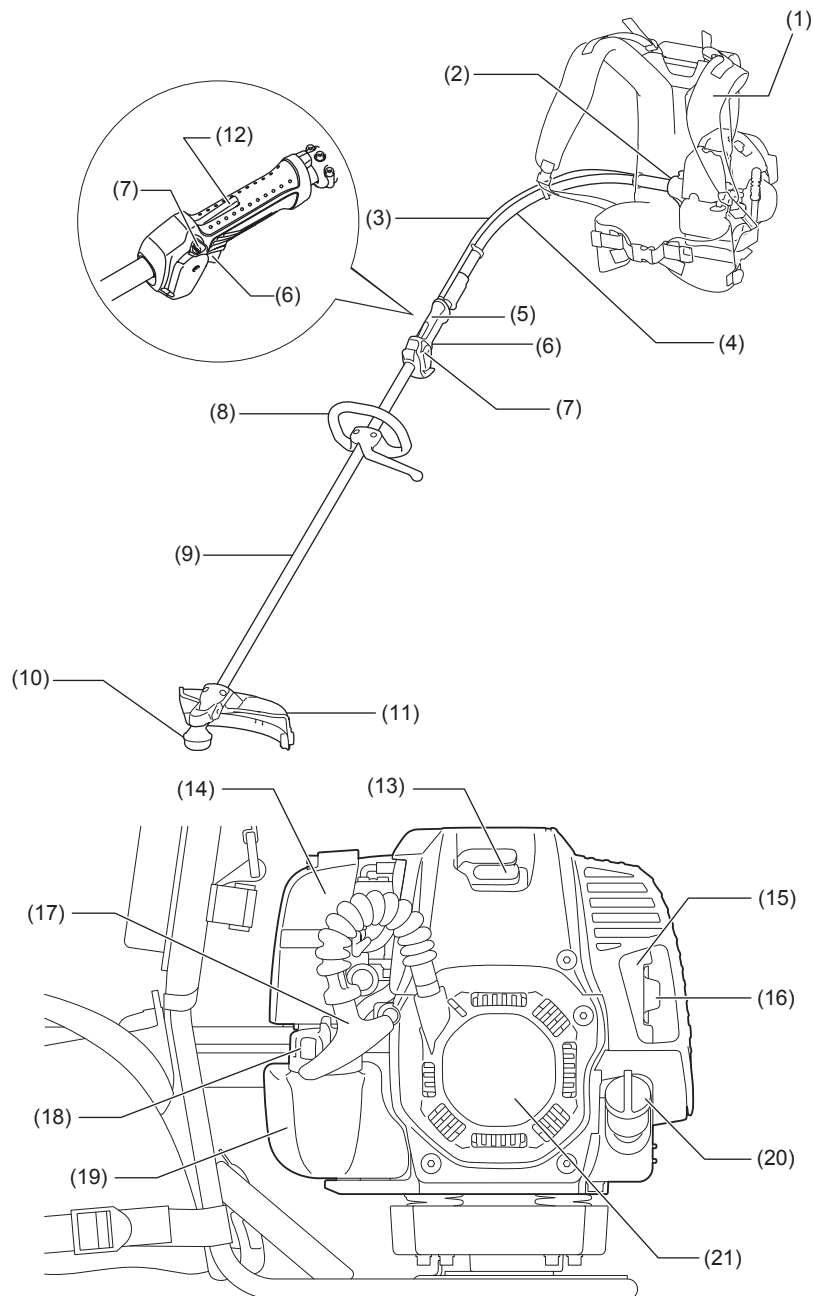
Makita, Jan-Baptist Vinkstraat 2, 3070, Belgique

CARACTÉRISTIQUES TECHNIQUES

Modèle			MS-4300.4 R		
Type de poignée			Guidon fermé		
Dimensions : longueur x largeur x hauteur (sans la partie de l'arbre flexible / droit)			mm	358 x 280 x 587	
Poids (sans la protection plastique et l'outil de coupe)			kg	12,0	
Volume (réservoir de carburant)			L	0,8	
Volume (réservoir d'huile)			L	0,1	
Déplacement du moteur			cm ³	43,0	
Performances maximales du moteur			kW	1,5 à 7 500 min ⁻¹	
Vitesse du moteur à la vitesse max. recommandée de l'axe			min ⁻¹	10 500	
Vitesse maximale de l'axe (correspondant)			min ⁻¹	7 200	
Ralenti			min ⁻¹	3 000	
Vitesse d'engagement de l'embrayage			min ⁻¹	4 000	
Carburateur			Type de diaphragme		
Bougie d'allumage			type	NGK CMR6A	
Distance entre les électrodes			mm	0,7 – 0,8	
			LAME DE COUPE	TÊTE À FIL DE NYLON	
Vibrations conformément à la norme ISO 22867	Poignée droite (Prise arrière)	$a_{hv\ eq}$	m/s ²	2,7	2,4
		Incertitude K	m/s ²	0,8	0,7
	Poignée gauche (Prise avant)	$a_{hv\ eq}$	m/s ²	3,2	3,4
		Incertitude K	m/s ²	1,7	1,0
Moyenne du niveau de pression sonore conformément à la norme ISO 22868		$L_{PA\ eq}$	dB (A)	83,5	92,5
		Incertitude K	dB (A)	1,1	1,7
Moyenne du niveau de puissance sonore conformément à la norme ISO 22868		$L_{WA\ eq}$	dB (A)	104,1	110,6
		Incertitude K	dB (A)	1,1	0,7
Carburant			Essence automobile		
Huile moteur			Huile SAE 10W-30 de niveau API, classe SF ou supérieure (huile moteur 4 temps pour automobile)		
Outils de coupe (diamètre de la lame de coupe)			mm	440 (avec tête à fil de nylon), 255 (avec lame à 3 dents), 257 (avec lame à 3 dents), 305 (avec lame à 2 dents)	
Rapport de vitesse			13/19		

- En raison de notre programme continu de recherche et développement, les spécifications sont susceptibles d'être modifiées sans préavis.
- Les spécifications peuvent varier d'un pays à l'autre.

NOMENCLATURE DES PIÈCES



1. Harnais	2. Carter d'embrayage	3. Câble de contrôle	4. Arbre flexible
5. Poignée arrière	6. Levier d'accélérateur	7. Interrupteur I-O (marche/arrêt)	8. Guidon
9. Arbre droit	10. Carter d'engrenage	11. Dispositif de protection (protège-lame de l'outil de coupe)	12. Levier de sécurité
13. Bougie d'allumage	14. Filtre à air	15. Pot d'échappement	16. Tuyau d'échappement
17. Bouton de démarrage	18. Bouchon du réservoir de carburant	19. Réservoir de carburant	20. Bouchon d'huile
21. Lanceur à rappel			

MONTAGE DE LA POIGNÉE

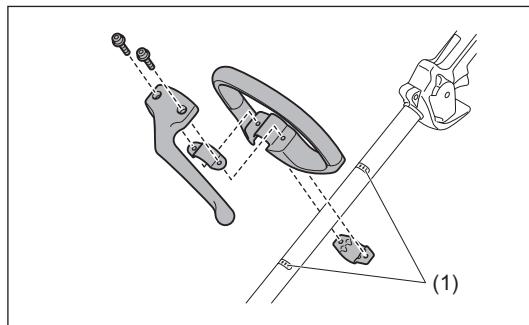
⚠ ATTENTION :

- Avant d'effectuer un travail quelconque sur l'outil, arrêtez toujours le moteur et débranchez le connecteur des bougies.
- Portez toujours des gants de protection !

⚠ ATTENTION :

- Ne démarrez le moteur qu'après l'avoir monté complètement.

- Fixez la poignée fermée sur l'arbre à l'aide de deux vis.
- Pour maintenir une distance appropriée entre les poignées, placez le guidon entre les flèches (1) sur l'arbre.



MONTAGE DE L'ARBRE FLEXIBLE

Montage de l'arbre flexible

1. Retirez le boulon (1) de l'extrémité de l'arbre droit (2).
2. Retirez le capuchon de l'arbre flexible.

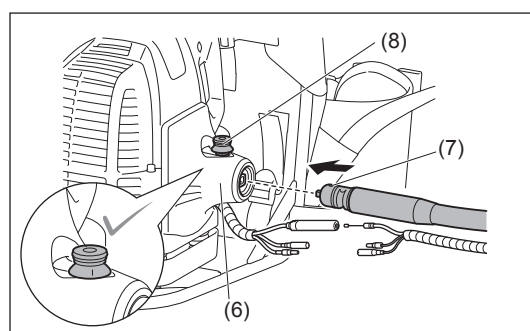
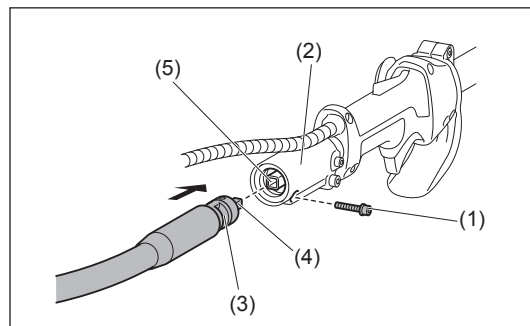
NOTE :

- Ne perdez pas le capuchon. Placez toujours le capuchon lors du retrait de l'arbre flexible.
3. Tournez l'arbre flexible pour que la partie dentelée (3) de l'arbre flexible soit tournée vers le bas.
 4. Alignez l'arbre carré interne (4) avec l'orifice de connexion (5). Insérez à fond l'extrémité de l'arbre flexible dans le support pour tuyau.
 5. Serrez-les avec le boulon (1).

REMARQUE :

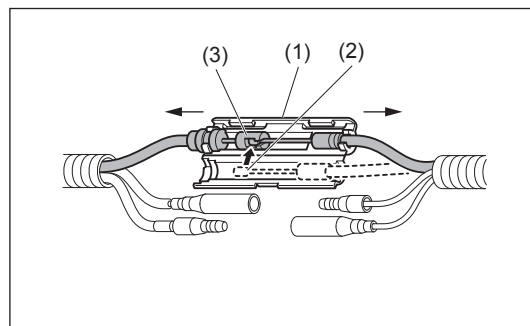
- Si vous rencontrez des difficultés pour insérer l'arbre flexible, alignez à nouveau l'arbre carré interne (4).
 - N'extrayez pas l'arbre interne de plus de 35 mm.
6. Alignez l'orifice (7) sur l'autre extrémité de l'arbre flexible avec le bouton (8) du carter d'embrayage (6) et insérez l'arbre flexible dans le carter d'embrayage.
 7. Assurez-vous que le bouton émet un déclic quand il est inséré dans l'orifice de l'arbre flexible.

Pour retirer l'arbre flexible du carter d'embrayage, tirez sur le bouton et retirez-le.



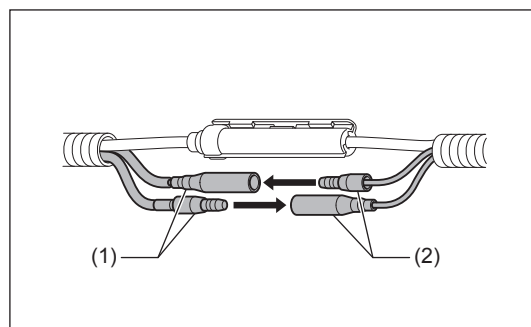
Branchement du câble de contrôle

1. Faites correspondre l'extrémité du câble de contrôle du levier de commande (2) avec l'extrémité du câble de contrôle du moteur (3).
2. Placez le câble de contrôle du levier de commande dans le connecteur (1). Puis, refermez le connecteur.
3. Assurez-vous que l'accélérateur dans le carburateur se déplace simultanément lorsque vous tirez sur le levier d'accélération.



Branchement de l'unité principale

Raccordez les unités principales du moteur (1) avec les unités principales du levier de commande (2) en connectant ensemble les bornes mâles et femelles.

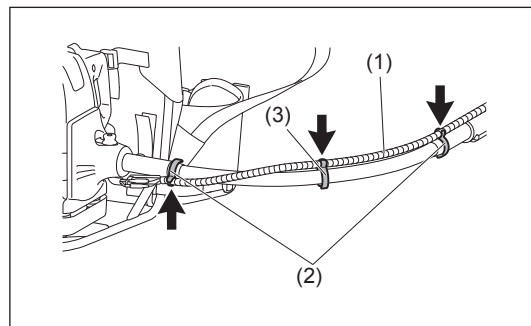


Fixation du câble de contrôle

Fixez le câble de contrôle (1) sur l'arbre flexible au moyen de deux serre-câbles (2) et d'un autre serre-câbles (3) comme illustré.

⚠ ATTENTION :

- Assurez-vous que le câble de contrôle est fixé correctement sur l'arbre flexible. Un câble desserré peut se coincer dans les branches ou autre et provoquer des blessures corporelles.
- N'entortillez pas le câble de contrôle autour de l'arbre flexible, sous peine de provoquer un dysfonctionnement de l'accélérateur.



MONTAGE DU DISPOSITIF DE PROTECTION

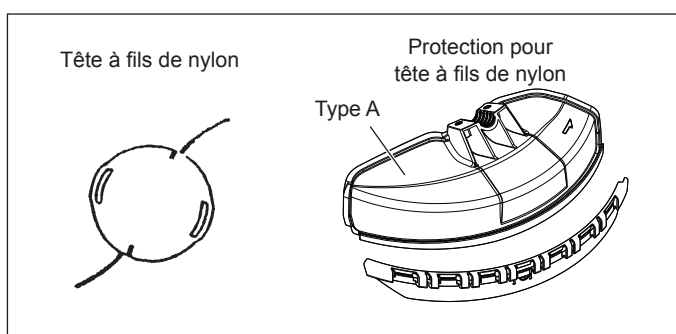
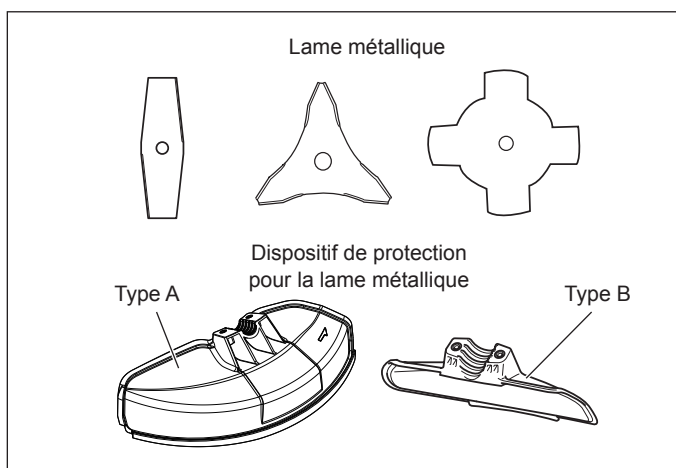
Pour satisfaire aux règles de sécurité en vigueur, utilisez uniquement l'outil/le dispositif de protection comme indiqué dans le tableau.

⚠ ATTENTION :

- Il faut toujours installer les dispositifs de protection appropriés pour votre propre sécurité et afin de vous conformer aux règlements relatifs aux préventions des accidents.
- Il est interdit d'utiliser l'outil lorsque le carter n'est pas en place.
- N'utilisez pas une autre combinaison lors de l'utilisation de la lame de scie.

NOTE :

- La combinaison standard de l'outil de coupe varie d'un pays à l'autre.



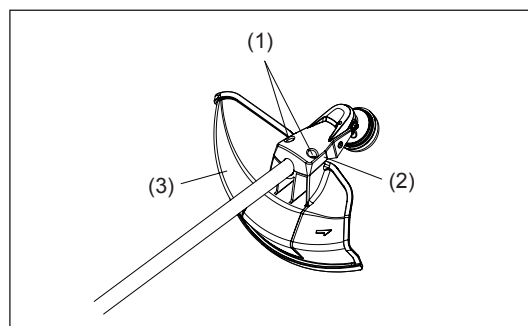
Pour les lames métalliques

⚠ ATTENTION :

- Assurez-vous que les boulons de serrage du dispositif de protection sont serrés de manière égale afin que l'espace entre la bride et le dispositif de protection soit constant.
- Dans le cas contraire, le dispositif de protection risque parfois de ne pas fonctionner comme indiqué.

(Pour le dispositif de protection de type A)

Fixez le dispositif de protection (3) au serre-câbles (2) avec deux boulons M6x30 (1).



(Pour le dispositif de protection de type B)

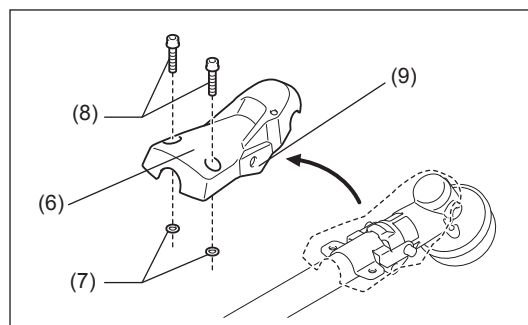
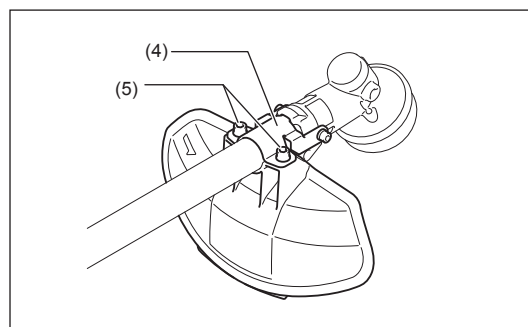
Fixez le dispositif de protection au serre-câbles (4) avec deux boulons M6x18 (5).

Si le couvercle du dispositif de protection (6) est monté sur l'arbre, commencez par le retirer comme suit.

1. Retirez les rondelles (7), les boulons M6x30 (8) du couvercle du dispositif de protection.
2. Retirez le couvercle du dispositif de protection en déployant légèrement l'ailette (9).

NOTE :

- Pour changer le dispositif de protection du type A au type B, installez le couvercle du dispositif de protection, les boulons M6x30 et les rondelles sur l'arbre avant d'installer le dispositif de protection.

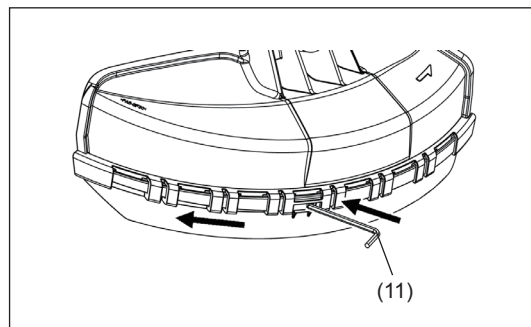
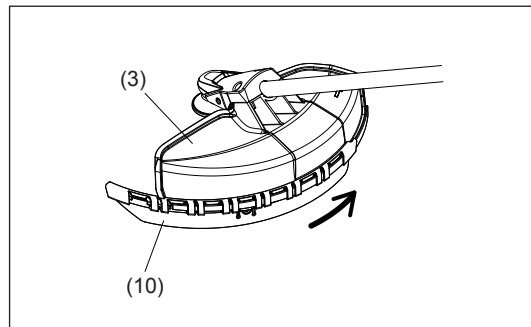


Pour la tête à fils de nylon

- Veillez à installer la protection de la tête à fil de nylon (10) sur le dispositif de protection de la lame métallique de type A (3) assemblé avec la protection de la tête à fil de nylon.
- Installez la protection de la tête à fil de nylon (10) en la faisant glisser depuis le flanc du dispositif de protection de la lame métallique (3).
- Retirez l'adhésif collé sur la lame qui coupe le fil de nylon, sur la protection de la tête à fil de nylon (10).

⚠ ATTENTION :

- Veillez à ce que la protection de la tête à fil de nylon (10) soit entièrement insérée.
Veillez à ne pas vous blesser sur le dispositif de coupe à fil de nylon.
- Pour retirer la protection de la tête à fil de nylon (10), placez une clé hexagonale (11) dans l'entaille du dispositif de protection de la lame métallique (3), enfoncez-la tout en faisant glisser la protection de la tête à fil de nylon (10).



MONTAGE DE LA LAME MÉTALLIQUE OU DE LA TÊTE À FIL DE NYLON

Utilisez toujours des lames métalliques et une tête à fil de nylon d'origine DOLMAR.

- La lame métallique doit être bien affûtée et dépourvue de fissures et de cassures. Si la lame métallique heurte une pierre durant l'utilisation, arrêtez le moteur et vérifiez immédiatement la lame.
- Affûtez ou remplacez la lame métallique toutes les trois heures de fonctionnement.
- Si la tête à fil de nylon heurte une pierre pendant le fonctionnement de l'outil, arrêtez le moteur et vérifiez immédiatement la tête à fil de nylon.

⚠ ATTENTION :

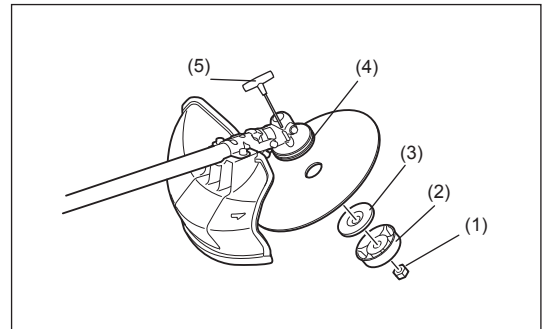
- Il faut toujours installer les dispositifs de protection appropriés pour votre propre sécurité et afin de vous conformer aux règlements relatifs aux préventions des accidents.

Il est interdit d'utiliser l'outil lorsque le carter n'est pas en place.

Le diamètre extérieur de la lame de coupe doit être de 300 mm au maximum. N'utilisez jamais de lames dont le diamètre extérieur est supérieur à 300 mm. Lorsque les lames de coupe ont un diamètre extérieur de 305 mm, seules les lames à 2 dents peuvent être utilisées.

Tournez l'arbre droit la tête en bas pour pouvoir remplacer la lame métallique ou la tête à fil de nylon facilement.

- Insérez la clé hexagonale (5) dans l'orifice du carter d'engrenage et tournez la rondelle de réception (4) jusqu'à ce qu'elle ne bouge plus avec la clé hexagonale.
- Desserrez l'écrou (1) (filetage gauche) avec la clé à douille, et retirez l'écrou (1), la bague (2) et la rondelle de serrage (3).



Montage de la lame métallique avec la clé hexagonale encore en position

- Montez la lame métallique sur l'arbre, de sorte que le guide de la rondelle de réception (4) s'ajuste dans l'orifice de l'arbre dans la lame métallique. Installez la rondelle de serrage (3) et la bague (2), puis fixez la lame métallique avec l'écrou (1).

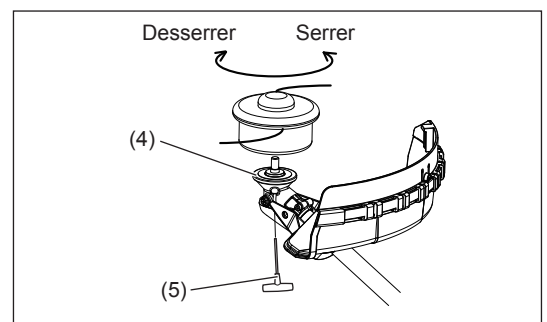
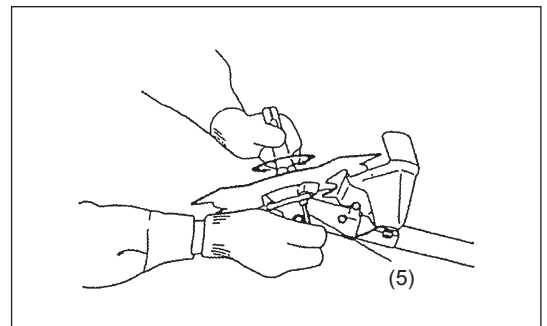
[Couple de serrage : 20 – 30 N•m]

NOTE :

- Portez toujours des gants quand vous maniez la lame métallique.

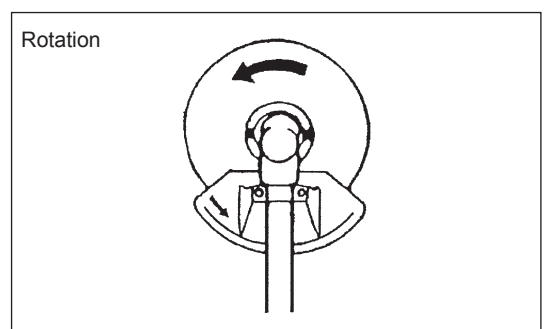
NOTE :

- L'écrou de fixation de la lame métallique (avec la rondelle à ressort) est une pièce à changer périodiquement. Si de l'usure ou des déformations apparaissent sur la rondelle à ressort, remplacez l'écrou.



Montage de la tête à fil de nylon

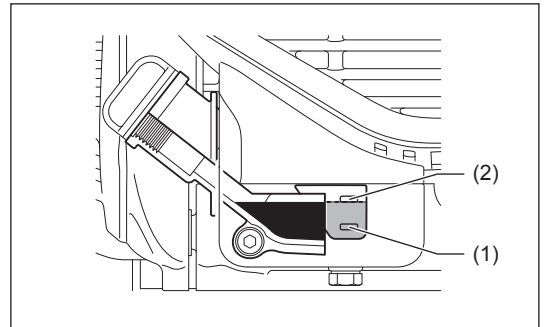
- La rondelle de serrage (3), la bague (2) et l'écrou (1) ne sont pas nécessaires pour le montage de la tête à fil de nylon. La tête à fil de nylon doit se trouver sur le haut de la rondelle de réception (4).
- Insérez la clé hexagonale (5) dans l'orifice du carter d'engrenage et tournez la rondelle de réception (4) jusqu'à ce qu'elle ne bouge plus avec la clé hexagonale.
- Vissez ensuite la tête à fil de nylon dans l'arbre en la tournant dans le sens antihoraire.
- Retirez la clé hexagonale.



AVANT DE COMMENCER

Inspection et remplissage de l'huile moteur

- Lorsque le moteur est froid, procédez-le.
- Assurez-vous que le moteur se trouve sur une surface horizontale plane et vérifiez que le niveau d'huile est compris entre la limite inférieure (1) et supérieure (2) de l'indicateur d'huile.
- Si le niveau d'huile est inférieur à la limite inférieure, retirez le bouchon d'huile et ajoutez de l'huile.
- La zone proche des repères externes est transparente, donc la quantité d'huile à l'intérieur peut être vérifiée sans qu'il soit nécessaire de retirer le bouchon d'huile. Toutefois, si le tuyau d'huile devient extrêmement encrassé, vous risquez d'avoir une mauvaise visibilité et de devoir vérifier le niveau d'huile par rapport à la section décrochée sur l'intérieur du tuyau d'huile.
- Il peut s'avérer nécessaire de procéder au remplissage d'huile toutes les 10 heures de fonctionnement (tous les 10 pleins).
Si l'huile change de couleur ou contient de la saleté, remplacez-la. (Pour la fréquence et la méthode de vidange, référez-vous à la page 51.)



Huile recommandée : Huile SAE 10W-30 de classe API, Classe SF ou supérieure (moteur 4 temps pour automobile)

Volume d'huile : Environ 0,10 L

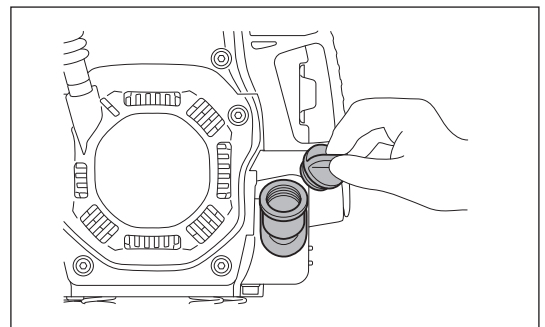
NOTE :

- Si le moteur n'est pas positionné comme illustré sur une surface horizontale, une indication incorrecte du niveau d'huile peut apparaître et l'huile déborder. Le fait de dépasser la limite supérieure lors du remplissage d'huile peut entraîner une contamination de l'huile et/ou de la fumée blanche.

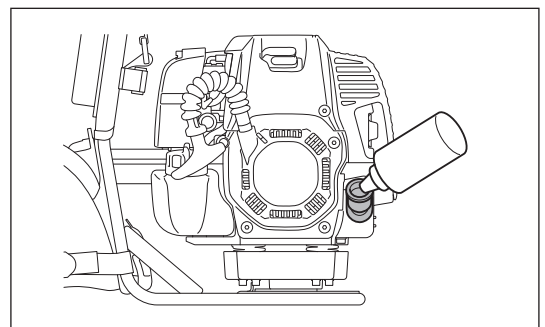
Remplacement de l'huile : « capuchon d'huile »

- Retirez la poussière ou les saletés entourant l'orifice du réservoir d'huile, puis retirez le bouchon d'huile.
- Veillez à ce que le bouchon d'huile n'entre pas en contact avec du sable ou de la poussière. Dans le cas contraire, les impuretés adhérant au bouchon d'huile pourraient empêcher la bonne circulation de l'huile ou abîmer des pièces du moteur, provoquant des problèmes.

(1) Gardez le moteur à plat et enlevez le bouchon d'huile.



(2) Remplissez d'huile jusqu'au repère de limite supérieure.
Utilisez une bouteille d'huile lors du remplissage.



(3) Serrez fermement le bouchon d'huile. Un vissage insuffisant pourrait provoquer une fuite d'huile.

NOTE :

- Ne remplacez pas l'huile lorsque le moteur est en position inclinée.
- Le remplissage d'huile avec le moteur incliné risque de provoquer un remplissage trop important, entraînant la contamination de l'huile et/ou de la fumée blanche.

Après le remplissage d'huile

- Essuyez immédiatement avec un chiffon l'huile qui s'est déversée.

RAVITAILLEMENT EN CARBURANT**Manipulation du carburant**

Veillez à manipuler le carburant avec la plus grande prudence. Il peut contenir des substances similaires aux solvants. Pour faire le plein, placez-vous dans une pièce suffisamment ventilée ou à l'extérieur. N'inhalez jamais les vapeurs de carburant et restez à distance du carburant. En cas de contact répété ou prolongé de votre peau avec du carburant, celle-ci peut se dessécher, entraînant des maladies de peau ou des allergies. En cas de contact du carburant avec un œil, rincez celui-ci à l'eau claire. Si votre œil reste irrité, consultez votre médecin.

Durée de stockage du carburant

Le carburant doit être utilisé dans les 4 semaines, même s'il est conservé dans un bidon spécial dans un endroit ombragé et bien ventilé. Dans le cas contraire, le carburant risque de se détériorer en une journée.

ENTREPOSAGE DE L'APPAREIL ET REMPLISSAGE DU RÉSERVOIR

- Conservez la machine et le réservoir dans un endroit frais, à l'abri des rayons directs du soleil.
- Ne conservez jamais de carburant dans un véhicule.

Carburant

Le moteur est un moteur à quatre temps. Veillez à utiliser de l'essence automobile sans plomb à indice d'octane 87 ou supérieur ((R+M)/2). Elle peut contenir 10 % d'alcool au maximum (E-10).

Avertissements concernant le carburant

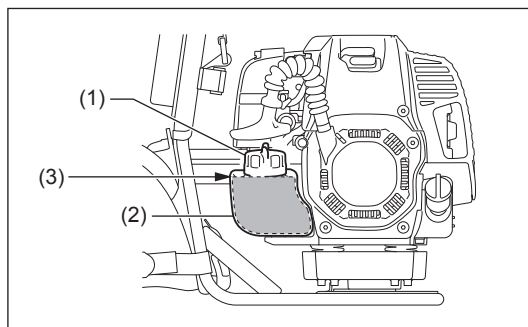
- N'utilisez jamais de mélange de carburant contenant de l'huile moteur. Cela pourrait créer une accumulation excessive de carbone ou des pannes mécaniques.
- L'utilisation d'huile détériorée peut provoquer des démarrages irréguliers du moteur.

Ravitaillement en carburant**⚠ AVERTISSEMENT :**

- **Avant de remplir le réservoir de carburant, coupez le moteur, éloignez-le des flammes nues et ne fumez pas.**
- Desserrez légèrement le bouchon du réservoir (1) pour libérer la pression de celui-ci.
- Retirez le bouchon du réservoir et faites le plein. NE remplissez PAS de carburant au-dessus de la limite supérieure de carburant (3).
- Essuyez bien l'extérieur du bouchon du réservoir pour éviter l'introduction de débris dans le réservoir de carburant.
- Après avoir fait le plein, serrez à fond le bouchon du réservoir.

NOTE :

- En cas de défaut ou de dommages au niveau du bouchon du réservoir, remplacez-le.
- Au fil du temps, le bouchon du réservoir s'use. Remplacez-le tous les deux à trois ans.
- NE versez PAS de carburant dans l'orifice de remplissage d'huile.



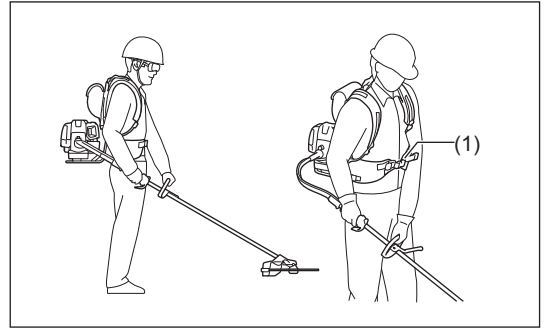
MANIEMENT CORRECT DE L'APPAREIL

⚠ AVERTISSEMENT :

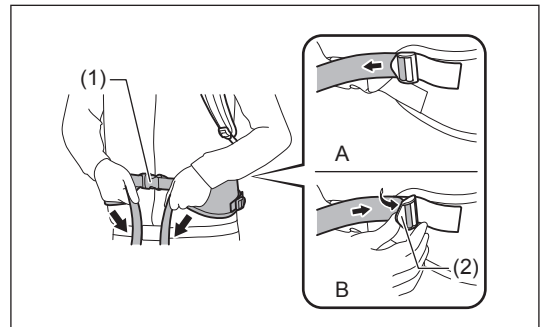
- En perdant le contrôle de la machine, vous risquez de provoquer des blessures corporelles graves ou la MORT.

Fixation du harnais

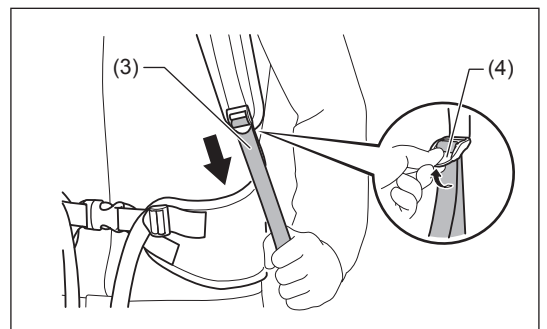
Réglez le harnais de sorte à porter confortablement le moteur pendant le fonctionnement.



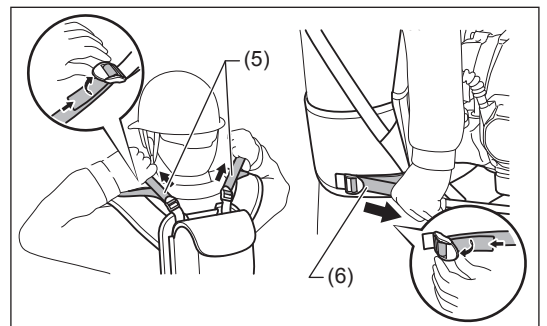
1. Placez le harnais dans le dos et fermez la boucle (1).
Pour attacher la ceinture ventrale, tirez sur son extrémité (A).
Pour la desserrer, tirez vers le haut l'extrémité de l'attache (2) (B).



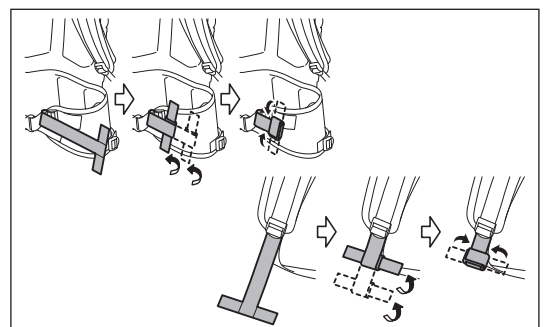
2. Réglez la bandoulière (3) à une longueur confortable pour travailler.
Pour attacher la bandoulière, tirez sur son extrémité.
Pour la desserrer, tirez vers le haut l'extrémité de l'attache (4).



3. Réglez la courroie de stabilisation de l'épaule et de la hanche (5, 6). Pour attacher la bandoulière, tirez sur son extrémité. Pour la desserrer, tirez vers le haut l'extrémité de l'attache.

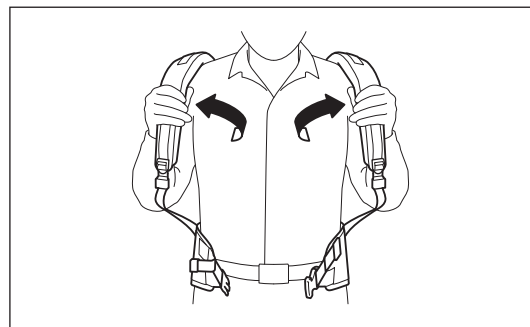
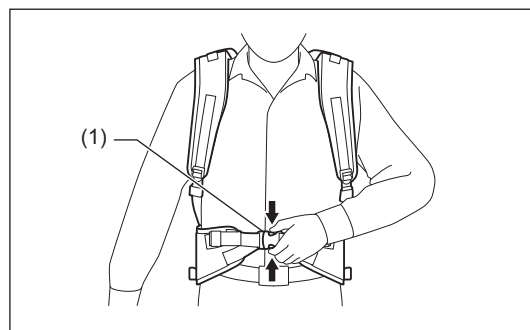


4. Enroulez les sangles en trop et attachez-les ensemble avec la fermeture velcro.



Retrait de l'appareil

- Pour retirer l'appareil, pressez les côtés de la boucle (1) et retirez la bandoulière.
Soyez extrêmement vigilant et conservez le contrôle de l'appareil à ce moment-là. Ne laissez pas l'appareil être dévié vers vous ou vers quiconque situé à proximité du lieu de travail.



COMMENT DÉMARRER ET ARRÊTER LE MOTEUR

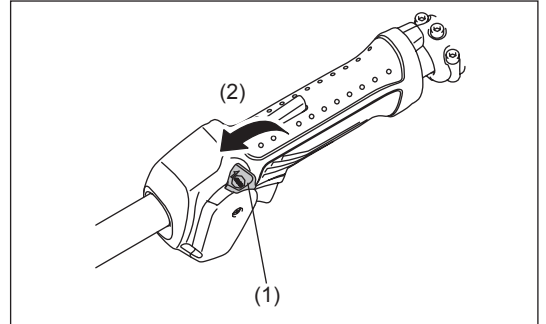
Respectez les réglementations en vigueur en matière de prévention des accidents !

DÉMARRAGE

Éloignez-vous d'au moins 3 mètres de l'endroit où vous avez procédé au ravitaillement en carburant. Placez l'appareil au sol en veillant à ce que l'outil de coupe n'entre pas en contact avec le sol ou tout autre objet.

A : Démarrage à froid

- 1) Déposez la machine sur une surface plane.
- 2) Réglez l'interrupteur I-O (1) sur FONCTIONNEMENT (2).



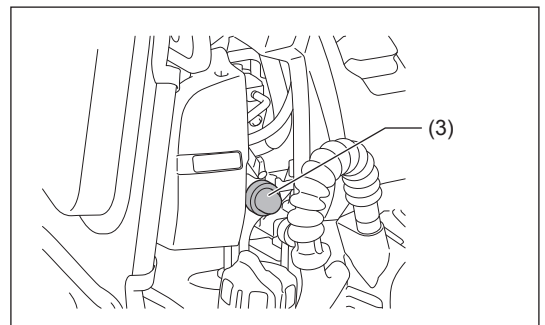
- 3) Levier de l'étrangleur
Fermez le levier de l'étrangleur.

Ouverture de l'étrangleur :

- Complètement fermé par temps froid ou lorsque le moteur est froid.
- Complètement ou à moitié ouvert si le moteur est un peu chaud, par exemple lors du redémarrage du moteur juste après un arrêt pendant une opération de chauffage.



- 4) Pompe d'amorçage
Continuez à appuyer sur la pompe d'amorçage (3) jusqu'à ce que le carburant pénètre à l'intérieur de celle-ci. (En général, 7 à 10 pressions sont nécessaires.)
Si vous appuyez trop sur la pompe d'amorçage, un surplus de carburant retourne au réservoir de carburant.



5) Démarreur

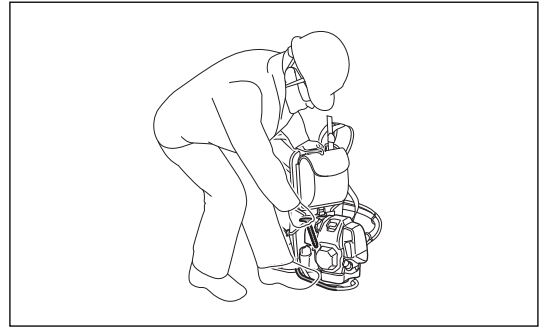
Veillez à toujours avoir une bonne position d'équilibre.
Tenez l'appareil avec votre main gauche et appuyez fermement dessus.

⚠ ATTENTION :

- Ne montez pas et ne vous agenouillez pas sur le câble d'accélérateur. Le câble interne pourrait être tiré et l'outil de coupe commencer à tourner involontairement. N'accélérez pas.

Tirez doucement sur le bouton du démarreur jusqu'à ce que vous sentiez une certaine résistance. Ensuite, repoussez le bouton du démarreur, puis tirez-le fortement.

Ne tirez jamais entièrement la corde. Une fois le bouton du démarreur tiré, n'enlevez jamais votre main immédiatement. Tenez le bouton du démarreur jusqu'à ce qu'il retourne à sa position initiale.



6) Levier de l'étrangleur

Lorsque le moteur démarre, réglez le levier d'étrangleur en position OUVRIR.

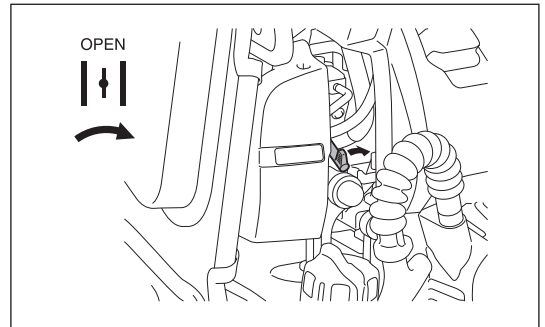
- Ouvrez le levier de l'étrangleur progressivement, tout en vérifiant le fonctionnement du moteur. Assurez-vous de finir par l'ouvrir à fond.
- Par temps froid ou lorsque le moteur est froid, n'ouvrez jamais le levier de l'étrangleur de manière soudaine. Sinon, le moteur risque de caler.

7) Opération de chauffage

Continuez à faire chauffer le moteur pendant 2 à 3 minutes.

REMARQUE :

- **Ne tirez pas inutilement sur le levier d'accélérateur lorsque le moteur ne tourne pas.** Cela pourrait entraîner une fuite de carburant dans le filtre à air. Dans ce cas, essayez le carburant qui a coulé. Ouvrez également le capot du filtre à air et nettoyez l'élément ainsi que la plaque du filtre à air.



NOTE :

- Ne tirez pas inutilement sur le levier d'accélérateur lorsque le moteur ne tourne pas. Vous risqueriez de noyer le moteur et d'entraîner des difficultés de démarrage du moteur.
- En cas de débordement du carburant, retirez la bougie et tirez la poignée de démarrage lentement pour retirer l'excès de carburant. Séchez également l'électrode de la bougie.
- Si le moteur démarre et s'arrête ou s'arrête peu de temps après avoir démarré, remplacez le levier d'étrangleur en position OUVRIR et tirez à nouveau plusieurs fois sur le bouton du démarreur pour démarrer le moteur.
- Si le levier d'étrangleur est maintenu en position FERMER et si le bouton d'étrangleur est enfoncé plusieurs fois, une quantité trop importante de carburant sera aspirée et le démarrage du moteur deviendra difficile.
- Ne faites pas tourner le moteur à vitesse élevée inutilement lors de l'opération de chauffage.

B : Démarrage à chaud

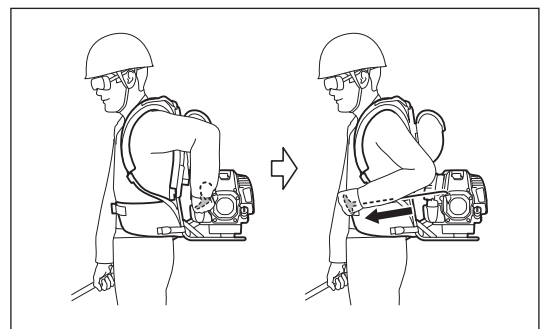
- 1) Maintenez le levier de l'étrangleur entièrement ouvert.
- 2) Appuyez plusieurs fois sur la pompe d'amorçage.
- 3) Laissez le levier d'accélérateur en position de ralenti.
- 4) Tirez avec force sur le bouton du démarreur.

Vous pouvez également redémarrer le moteur tout en transportant l'outil sur le dos.

⚠ ATTENTION :

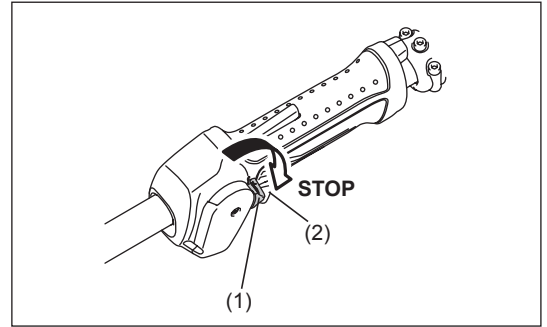
- Assurez-vous que l'outil de coupe ne touche pas au redémarrage.
- Ne tirez pas sur le levier d'accélération au redémarrage. Autrement, l'outil de coupe se mettra à tourner.

Tenez la poignée de la main droite et tirez avec force sur le bouton du démarreur.



ARRÊT

- 1) Relâchez entièrement le levier d'accélérateur (2) et lorsque la vitesse de rotation du moteur a diminué, placez l'interrupteur I-O (1) en position STOP (ARRÊT) pour couper le moteur.
- 2) L'outil de coupe continue à tourner quelques instants une fois le moteur coupé. Attendez jusqu'à ce qu'il s'arrête complètement.

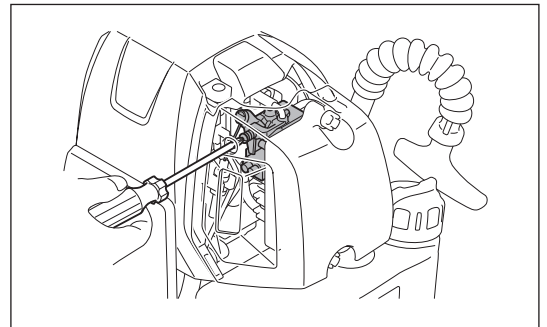


RÉGLAGE DU RALENTI

Lorsque cela est nécessaire, réglez le ralenti à l'aide de la vis de réglage du carburateur.

VÉRIFICATION DU RALENTI

- Réglez le ralenti sur 3 000 min⁻¹.
S'il s'avère nécessaire de changer le ralenti, placez un tournevis cruciforme sur la vis, comme illustré à droite.
- Pour augmenter le ralenti, tournez la vis de réglage dans le sens horaire.
Pour diminuer le ralenti, tournez la vis de réglage dans le sens antihoraire.
- Le carburateur est réglé en usine. Toutefois, après plusieurs utilisations le ralenti doit de nouveau être réglé.



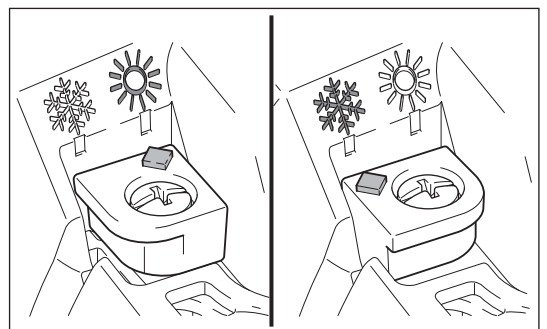
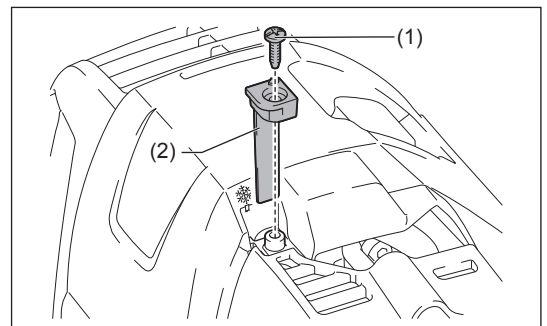
PRÉVENTION DU GIVRAGE DU CARBURATEUR

⚠ ATTENTION :

- Lorsque la température ambiante est supérieure à 10 °C, remplacez toujours le volet en position normale (soleil). Dans le cas contraire, le moteur risque d'être endommagé en raison de la surchauffe.

Lorsque la température ambiante est basse et l'humidité élevée, la vapeur d'eau peut geler à l'intérieur du carburateur et le moteur fonctionner de façon irrégulière (givrage du carburateur). Modifiez le réglage du volet comme suit, si besoin.

1. Retirez la vis (1).
2. Modifiez le sens du volet (2) comme suit :
 - La température ambiante est supérieure à 10 °C : Réglez le volet en position normale (soleil).
 - La température ambiante est inférieure ou égale à 10 °C : Réglez le volet en position anti-givrage (neige).
3. Serrez la vis.



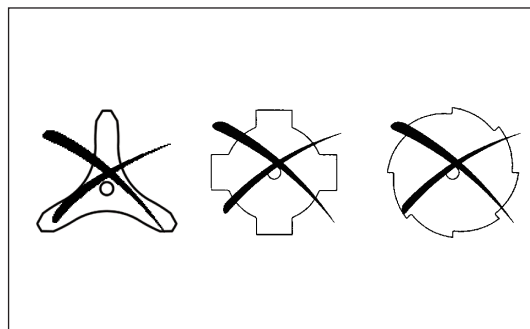
RÉAFFÛTAGE DE L'OUTIL DE COUPE

⚠ ATTENTION :

- Les outils de coupe présentés sur l'illustration ne doivent pas être affûtés. Un réaffûtage manuel entraînera des déséquilibres de l'outil de coupe, qui causeront des vibrations et endommageront l'appareil.

NOTE :

- Pour augmenter la durée de vie de la lame de coupe, vous pouvez la retourner une fois, jusqu'à ce que les deux bords de coupe soient émoussés.

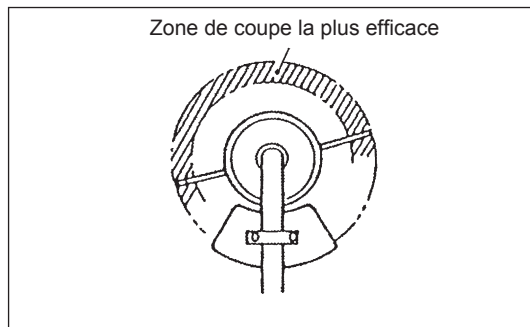


TÊTE À FIL DE NYLON

La tête à fil de nylon est une tête de taille-bordures double équipée d'un mécanisme d'alimentation semi-automatique par frappe au sol. La tête à fil de nylon alimente le fil de nylon en tapant la tête de coupe au sol.

Fonctionnement

- Augmentez la vitesse de la tête à fil de nylon à 6 000 min⁻¹ environ. Heurtez légèrement la tête à fil de nylon au sol.
- La zone de coupe la plus efficace est indiquée par la zone ombrée.
- Si le fil en nylon ne s'enroule pas, rembobinez/remplacez le fil en nylon en suivant les procédures décrites sous « Remplacement du fil en nylon ».

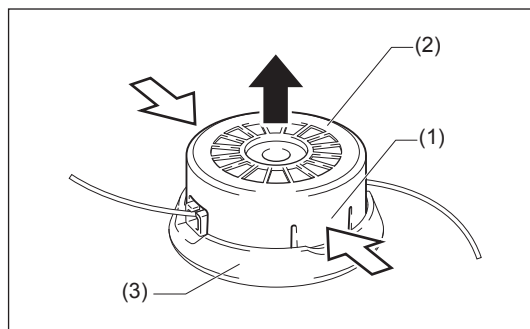


Remplacement du fil de nylon (AVANCEMENT PAR SECOUSSE)

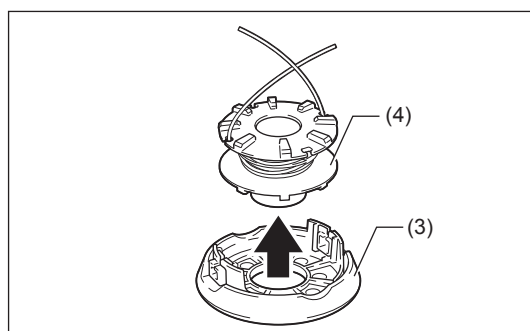
⚠ AVERTISSEMENT :

- Assurez-vous que le couvercle de la tête à fil de nylon est correctement fixé au bloc, comme décrit ci-dessous. Si le couvercle n'est pas correctement fixé, la tête à fils de nylon risque de se détacher et provoquer des blessures graves.

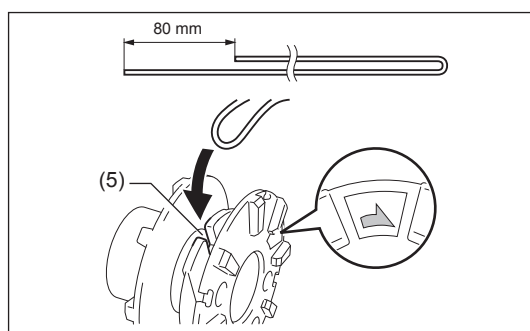
1. Enfoncez les attaches (1) du bloc (2) et soulevez pour retirer le couvercle (3).



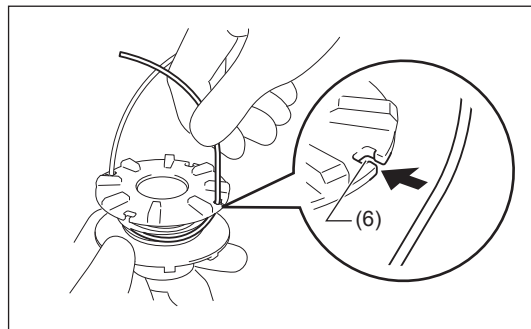
2. Libérez le fil de nylon de l'œillet. Et retirez la bobine (4) du couvercle. Débarrassez-vous du fil de nylon restant.



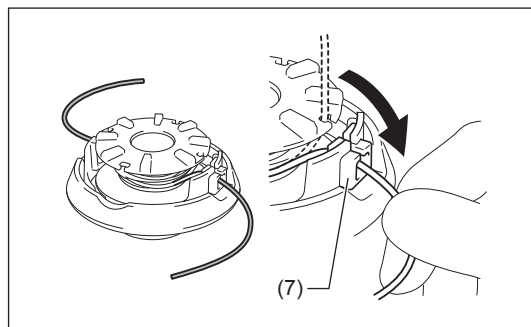
3. Insérez le milieu du nouveau fil de nylon dans l'entaille (5) située au centre de la bobine entre les 2 canaux. L'un des côtés du fil doit être plus long que l'autre d'environ 80 mm. Enroulez bien les deux extrémités sur la bobine dans le sens de la flèche sur la bobine.



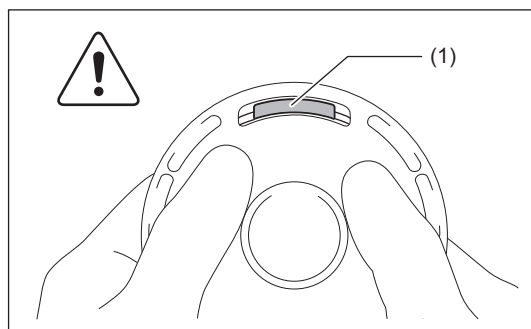
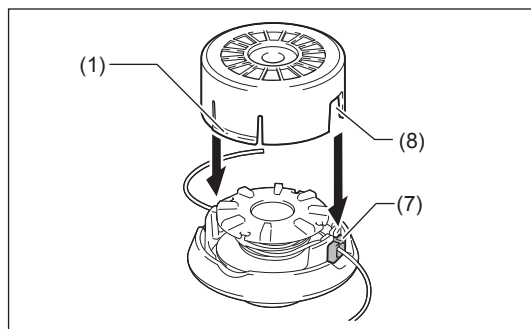
4. Enroulez tout le fil sauf environ 100 mm, en laissant les extrémités temporairement accrochées à travers les entailles (6).



5. Montez la bobine dans le couvercle en faisant correspondre les entailles et les œillets (7).
Décrochez les extrémités du fil de son emplacement temporaire et glissez les fils dans les œillets.



6. Alignez les fentes carrées (8) sur le bloc avec les œillets (7). Poussez ensuite fermement sur le bloc pour qu'il s'enclenche sur le couvercle. Assurez-vous que les attaches (1) se déploient bien sur le couvercle.



INSTRUCTIONS D'ENTRETIEN

⚠ ATTENTION :

- Avant tout travail sur l'appareil, arrêtez toujours le moteur et débranchez le capuchon des bougies (voir « vérification de la bougie »). Portez toujours des gants de protection !

Afin de garantir une longue durée de service de l'appareil et éviter de l'endommager, effectuez régulièrement les opérations d'entretien suivantes.

Vérification et entretien journaliers

- Avant utilisation, vérifiez qu'il ne manque aucune pièce et que les vis sont bien serrées. Faites tout particulièrement attention au serrage de la lame métallique et de la tête à fil de nylon.
- Avant l'utilisation, vérifiez que les fentes de refroidissement à air et des cylindres ne sont pas bouchées. Au besoin, nettoyez-les.
- Effectuez les opérations suivantes après chaque utilisation :
 - Nettoyez l'extérieur de l'appareil et vérifiez qu'il n'est pas endommagé.
 - Nettoyez le filtre à air. Nettoyez le filtre à air plusieurs fois par jour lorsque vous travaillez dans des conditions très poussiéreuses.
 - Vérifiez si la lame ou la tête à fil de nylon sont endommagées et assurez-vous qu'elles sont bien montées.
 - Vérifiez si la différence entre le ralenti et la vitesse de fonctionnement est suffisante pour garantir que l'outil de coupe est au repos lorsque le moteur est au ralenti (si nécessaire, réduisez la vitesse du ralenti).
Si l'outil continue à fonctionner lorsqu'il fonctionne au ralenti, consultez l'agent d'entretien agréé le plus proche.
- Vérifiez le fonctionnement de l'interrupteur I-O, le levier de verrouillage et le levier d'accélération.

REPLACEMENT DE L'HUILE MOTEUR

L'huile de moteur altérée réduit la durée de vie du moteur. N'oubliez pas de vérifier régulièrement l'huile et son niveau.



AVERTISSEMENT : Le moteur et l'huile moteur sont encore très chauds après l'arrêt du moteur. Laissez suffisamment de temps au moteur et à l'huile moteur de refroidir. Dans le cas contraire, vous risquez de vous brûler.

NOTE :

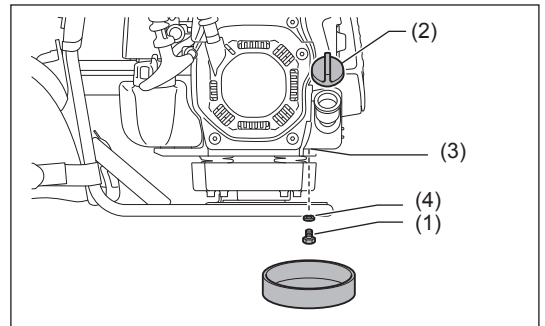
- Si le niveau d'huile dépasse la limite, l'huile risque d'être contaminée ou de s'enflammer en produisant de la fumée blanche. Afin de garantir une lecture précise du niveau d'huile, laissez suffisamment de temps à l'huile moteur pour qu'elle retourne dans le réservoir d'huile après l'arrêt du moteur.

Intervalle de remplacement : Après 20 heures de fonctionnement, puis toutes les 50 heures de fonctionnement.

Huile recommandée : Huile SAE 10W-30 de classe API, Classe SF ou supérieure (moteur 4 temps pour automobile)

Vous pouvez également procéder comme suit.

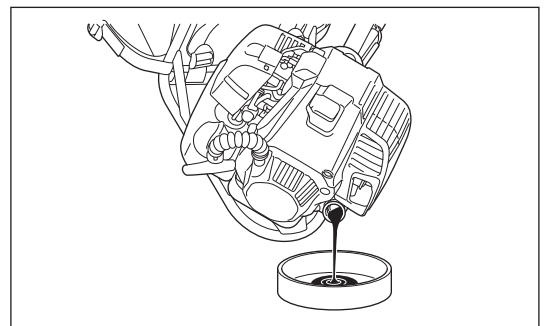
- 1) Assurez-vous que le bouchon du réservoir de carburant est bien serré.
- 2) Placez un grand récipient (poêle, etc.) sous l'orifice de vidange.
- 3) Retirez le boulon de vidange (1), puis le bouchon d'huile (2) pour purger l'huile de l'orifice de vidange (3).
À ce stade, veillez à ne pas perdre le joint statique (4) du boulon de vidange et à ne pas salir les composants que vous avez déposés.
- 4) Une fois l'huile entièrement vidangée, installez le joint et le boulon de vidange, puis serrez fermement le boulon de vidange afin qu'il ne se desserre pas et ne provoque pas de fuite.
[Couple de serrage : 5 N•m]
* Utilisez un chiffon pour essuyer complètement l'huile qui s'est déversée sur le boulon et le matériel.



Autre méthode de vidange

Retirez le bouchon d'huile, inclinez l'appareil vers l'orifice de remplissage d'huile et purgez l'huile.

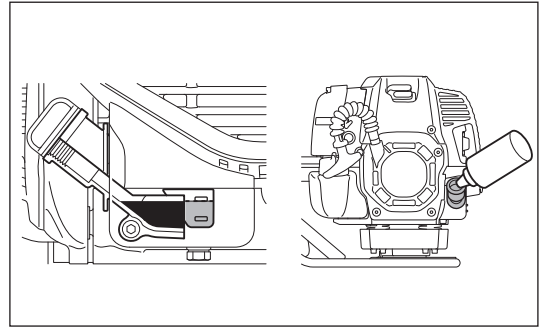
Recueillez l'huile dans un récipient.



- 5) Réglez le niveau du moteur et remplissez progressivement le réservoir avec de l'huile neuve jusqu'au repère de la limite supérieure.
- 6) Après avoir procédé au remplissage, serrez fermement le bouchon d'huile, de sorte qu'il ne se desserre pas et ne provoque pas de fuite.
Si vous ne serrez pas fermement le bouchon d'huile, il risque de fuir.

AVERTISSEMENTS CONCERNANT L'HUILE

- Ne jetez jamais d'huile moteur à la poubelle, sur la terre ou dans les égouts. La législation régit la mise au rebut de l'huile. Respectez toujours la loi en vigueur. Pour tout éclaircissement, contactez un agent d'entretien agréé.
- L'huile se détériore, même lorsqu'elle n'est pas utilisée. Effectuez régulièrement des inspections et des remplacements (vidangez l'huile tous les 6 mois).



NETTOYAGE DU FILTRE À AIR



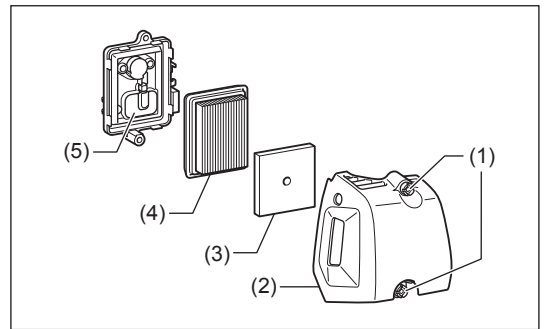
AVERTISSEMENT : Coupez le moteur, éloignez-le des flammes nues et ne fumez pas.

Intervalle de nettoyage et d'inspection : tous les jours (toutes les 10 heures d'utilisation)

- Tournez le levier d'étrangleur vers le côté complètement fermé et éloignez le carburateur de toute poussière ou saleté.

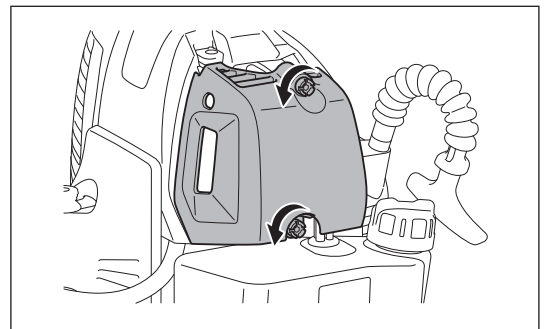
Retrait du capot du filtre à air

- Desserrez deux boulons de fixation (1).
- Tirez sur le capot du filtre à air (2) et retirez-le.



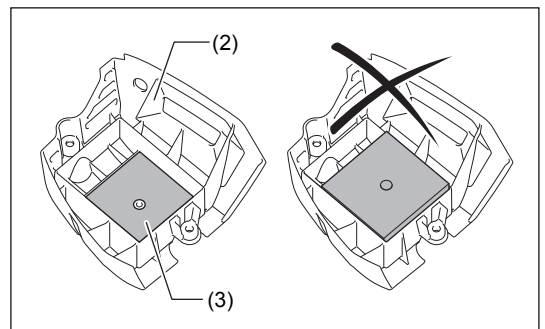
Nettoyage des éléments

- Retirez les éléments (3, 4) et tapez dessus pour en retirer les saletés.
- En cas de contamination importante :
 - 1) Retirez l'élément (éponge) (3), plongez-le dans de l'eau chaude ou dans un détergent neutre dilué à l'eau, et séchez-le complètement. Lors du lavage, ne pressez pas et ne frottez pas l'élément.
 - 2) Nettoyez l'élément (papier) (4) en tapant doucement dessus. Si vous pouvez utiliser une soufflette, soufflez de l'air comprimé à l'intérieur de l'élément (papier). Ne lavez pas l'élément (papier).
- Avant d'installer l'élément (éponge), assurez-vous qu'il soit complètement sec. Un séchage insuffisant de l'élément (éponge) pourrait provoquer un démarrage difficile.
- Nettoyez avec un chiffon l'huile adhérent autour du capot du filtre à air et du plateau séparateur (5).



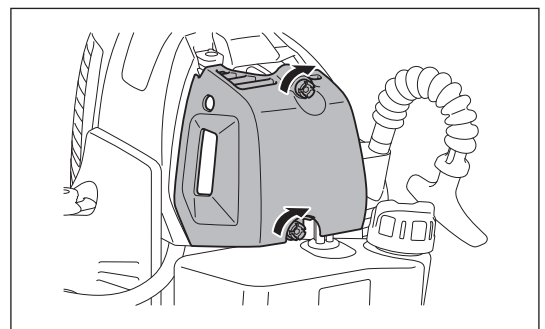
Fixation du capot du filtre à air

- Installez l'élément (éponge) et l'élément (papier). Insérez l'élément (éponge) à fond dans le capot du filtre à air.
- Serrez le capot du filtre à air avec deux boulons de fixation.



REMARQUE :

- Nettoyez les éléments plusieurs fois par jour en cas de poussière excessive. Les éléments sales diminuent la puissance du moteur et rendent difficile son démarrage.
- Retirez l'huile présente sur les éléments. Si vous continuez à utiliser l'appareil alors que les éléments restants présentent encore de l'huile, il est possible que l'huile présente dans l'épurateur d'air soit expulsée à l'extérieur et contamine l'environnement.
- Ne placez pas les éléments sur le sol ou dans un lieu sale. La saleté ou les débris pourraient se poser dessus et endommager le moteur.
- N'utilisez jamais de carburant pour nettoyer les éléments. Le carburant pourrait les endommager.

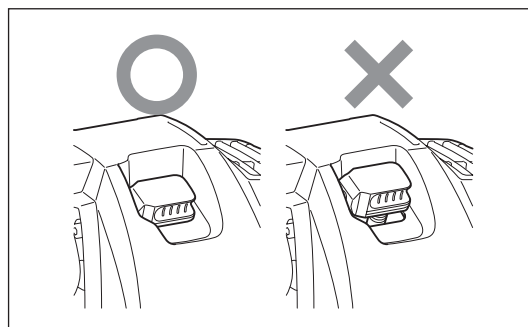
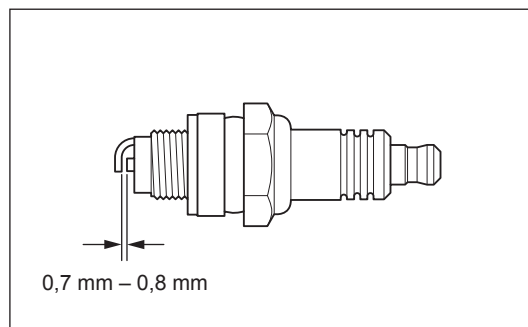


VÉRIFICATION DE LA BOUGIE

- N'utilisez que la clé universelle fournie pour retirer ou installer la bougie.
- L'écartement entre les deux électrodes de la bougie doit être compris entre 0,7 et 0,8 mm. Réglez l'écartement s'il est trop large ou trop étroit. Si la bougie est bouchée ou contaminée, nettoyez-la complètement ou remplacez-la. Placez correctement le capuchon, comme illustré, après avoir procédé à la vérification.

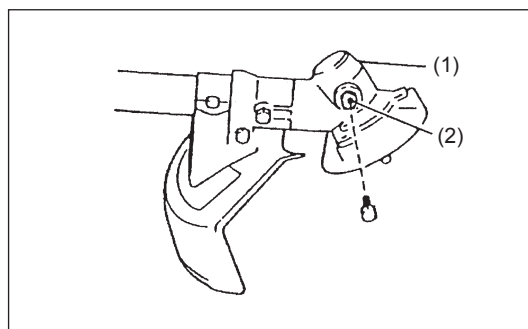
⚠ ATTENTION :

- Ne touchez jamais le connecteur de la bougie lorsque le moteur est en marche (danger de choc électrique haute tension).



GRAISSAGE DU CARTER D'ENGRENAGES

- Mettez de la graisse (Shell Alvania 2 ou équivalent) dans le carter d'engrenage (1) à travers l'orifice de graissage (2) toutes les 25 heures. (De la graisse d'origine DOLMAR peut être achetée chez votre revendeur DOLMAR.)

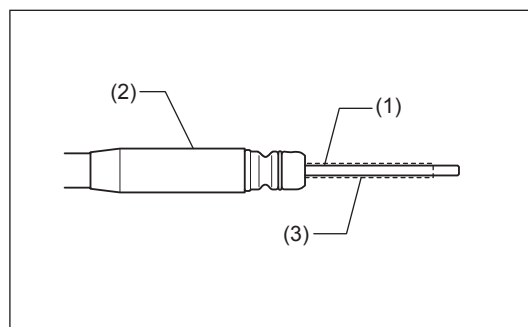


GRAISSAGE DE L'ARBRE FLEXIBLE

1. Retirez l'arbre flexible du carter d'embrayage et de l'arbre droit. Pour retirer l'arbre flexible du carter d'embrayage, tirez sur le bouton et retirez-le. Pour retirer l'arbre flexible de l'arbre droit, retirez le boulon et retirez-le.
2. Retirez l'arbre interne (1) de la gaine flexible (2) et graissez l'arbre interne (Shell Alvania 2 ou équivalent) (3) toutes les 25 heures. (De la graisse d'origine DOLMAR peut être achetée chez votre revendeur DOLMAR.)

REMARQUE :

- L'arbre flexible peut se casser s'il n'est pas graissé.
- Pour protéger la durée de vie des pièces, réinstallez chaque extrémité de l'arbre flexible sur le côté opposé, à savoir anciennement côté moteur sur le côté levier de commande.



NETTOYAGE DU FILTRE À CARBURANT

AVERTISSEMENT : PRODUITS INFLAMMABLES STRICTEMENT INTERDITS

Intervalle de nettoyage et d'inspection : tous les mois (toutes les 50 heures d'utilisation)

Crépine d'aspiration dans le réservoir de carburant

Vérifiez le filtre à carburant (1) régulièrement. Pour vérifier le filtre à carburant, suivez les étapes ci-dessous :

1. Retirez le bouchon du réservoir de carburant, vidangez le carburant pour vider le réservoir. Vérifiez la présence de corps étrangers à l'intérieur du réservoir. Retirez-les, le cas échéant.
2. Retirez la crépine d'aspiration au moyen d'un crochet à fil à travers l'orifice du réservoir.
3. Si le filtre à carburant est légèrement bouché, nettoyez-le. Pour le nettoyer, secouez et tapotez-le délicatement dans le carburant. Pour éviter des dégradations, ne le tordez pas, ni ne le frottez. Le carburant utilisé pour le nettoyage doit être éliminé conformément à la méthode spécifiée par les réglementations de votre pays.
Si le filtre de carburant devient dur ou se bouche complètement, remplacez-le.
4. Après la vérification, le nettoyage ou le remplacement, insérez le filtre à carburant dans le tuyau de carburant (3) et fixez-le avec le collier de serrage (2). Enfoncez complètement le filtre à carburant au fond du réservoir de carburant.

Un filtre à carburant bouché ou abîmé peut réduire l'alimentation en carburant et diminuer la puissance du moteur. Remplacez le filtre à carburant au moins tous les trimestres afin de garantir une alimentation satisfaisante en carburant vers le carburateur.

REMPACEMENT DU TUYAU DE CARBURANT

ATTENTION : PRODUITS INFLAMMABLES STRICTEMENT INTERDITS

Intervalle de nettoyage et d'inspection : tous les jours (toutes les 10 heures d'utilisation)

Remplacement : tous les ans (toutes les 200 heures d'utilisation)

Remplacez le tuyau de carburant (1) tous les ans, quelle que soit la fréquence d'utilisation. Une fuite de carburant peut provoquer un incendie.

Si vous détectez une fuite pendant une inspection, remplacez immédiatement le tuyau de carburant.

INSPECTION DES BOULONS, ÉCROUS ET VIS

- Resserrez les boulons, écrous, etc. desserrés.
- Assurez-vous que le bouchon du réservoir de carburant et le bouchon d'huile sont bien serrés. Vérifiez l'absence de fuite de carburant et d'huile.
- Remplacez les pièces endommagées par des pièces neuves afin de garantir un fonctionnement en toute sécurité.

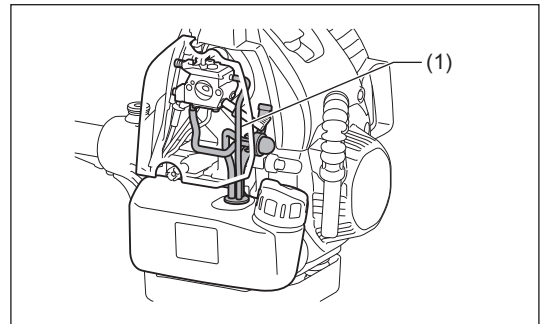
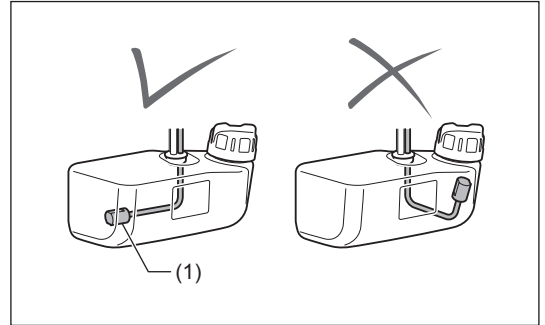
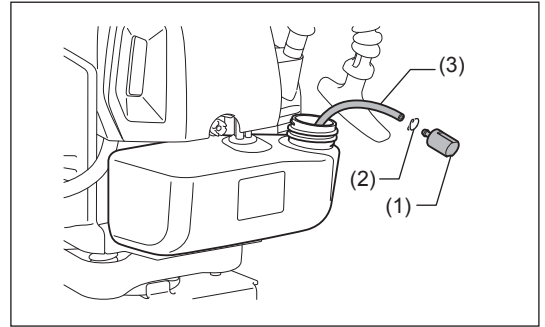
NETTOYAGE DES PIÈCES

- Essuyez régulièrement le moteur avec un chiffon en tissu afin de le maintenir propre.
- Conservez les ailettes de cylindre dépourvues de poussière et saleté. Si de la poussière ou des saletés adhèrent aux ailettes, cela peut créer des dommages aux pistons.

REMPACEMENT DE JOINTS STATIQUES ET DE TAMPONS AMORTISSEURS

Remplacez les joints et tampons amortisseurs si le moteur est démonté.

Tout travail d'entretien ou de réglage non inclus et décrit dans ce manuel doit être effectué uniquement par des agents d'entretien agréés.



ENTREPOSAGE

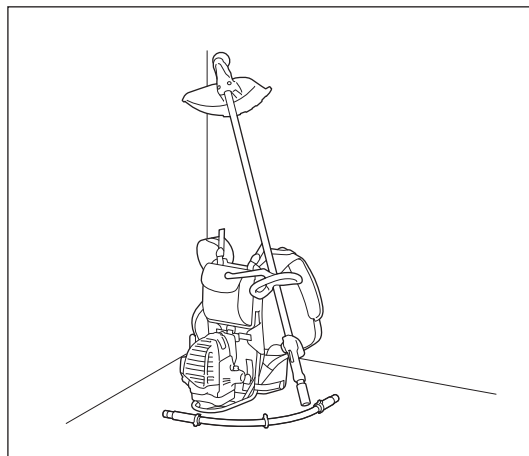


AVERTISSEMENT : Le moteur est encore très chaud juste après l'arrêt du moteur. Lorsque vous purgez le carburant, laissez suffisamment de temps au moteur pour refroidir après l'avoir arrêté. Dans le cas contraire, vous risquez de vous brûler et/ou de déclencher un incendie.



DANGER : Si vous prévoyez de ne pas utiliser l'appareil pendant une longue période, vidangez le réservoir de carburant et le carburateur, et entreposez l'appareil dans un endroit sec et propre.

- Pour vidanger le réservoir de carburant et le carburateur, procédez comme suit :
 - 1) Retirez le bouchon du réservoir de carburant, et vidangez le carburant entièrement.
S'il reste un corps étranger dans le réservoir, retirez-le complètement.
 - 2) Retirez le filtre à carburant de l'orifice de remplissage à l'aide d'un fil.
 - 3) Appuyez sur la pompe d'amorçage jusqu'à ce que le carburant soit entièrement vidé et vidangez le carburant qui arrive dans le réservoir de carburant.
 - 4) Placez le filtre sur le réservoir de carburant, et vissez à fond le bouchon du réservoir de carburant.
 - 5) Ensuite, faites tourner le moteur jusqu'à ce qu'il s'arrête.
- Retirez la bougie et versez plusieurs gouttes d'huile moteur dans le logement de la bougie.
- Tirez doucement la poignée du démarreur afin que l'huile moteur se répande sur le moteur, puis remettez la bougie en place.
- Fixez le capot sur la lame métallique.
- En général, rangez la machine comme illustré. Soyez très vigilant lors du rangement de la machine pour éviter que l'arbre droit tombe et provoque des blessures corporelles.
- Entreposez le carburant purgé dans un bidon spécial, dans un endroit ombragé et bien ventilé.



Précaution à prendre après un entreposage de longue durée

- Avant de démarrer l'appareil après un long arrêt, veillez à remplacer l'huile (voir à la page 51). L'huile se détériore lorsque l'appareil ne fonctionne pas pendant une longue période.

Élément	Durée de fonctionnement	Durée de fonctionnement							P correspondante
		Avant le fonctionnement	Après avoir fait le plein	Tous les jours (10 h)	25 h	50 h	200 h	Avant de ranger l'outil	
Huile moteur	Inspecter	○							42
	Remplacer					○*1			51
Serrage des pièces (boulon, écrou)	Inspecter	○							54
Réservoir de carburant	Nettoyer/inspecter	○							—
	Vidanger le carburant							○*3	55
Levier d'accélérateur	Vérifier le fonctionnement		○						—
Interrupteur STOP	Vérifier le fonctionnement		○						51
Outil de coupe	Inspecter	○		○					41
Vitesse au ralenti	Inspecter/régler			○					48
Filtre à air	Nettoyer			○					52
Bougie d'allumage	Inspecter			○					53
Passage de l'air de refroidissement et ailettes de cylindre	Nettoyer/inspecter			○					54
Tuyau de carburant	Inspecter			○					54
	Remplacer						◎*2		54
Graisse du carter d'engrenage	Remplir				○				53
Arbre flexible	Graissage/changement du sens d'installation				○				53
Filtre à carburant	Nettoyer/remplacer					○			54
Jeu des soupapes (soupape d'admission et soupape d'échappement)	Inspecter/régler						◎*2		—
Carbureteur	Vidanger le carburant							○*3	55

*1 Effectuez un remplacement initial après 20 heures d'utilisation.

*2 Demandez à un atelier de mécanique ou un agent d'entretien agréé d'effectuer l'entretien après 200 heures d'utilisation.

*3 Après avoir vidé le réservoir de carburant, continuez à faire fonctionner le moteur et purgez le carburant situé dans le carbureteur.

RÉSOLUTION DE PROBLÈMES

Avant d'envoyer votre appareil en réparation, vérifiez si vous pouvez régler le problème vous-même. Si vous découvrez une anomalie, commandez votre appareil selon les descriptions de ce manuel. Ne démontez et ne modifiez aucune pièce d'une manière contraire à la description. Pour toute réparation, contactez un agent d'entretien agréé ou un revendeur local.

Problème	Cause probable (dysfonctionnement)	Solution
Le moteur ne démarre pas.	L'interrupteur I-O est en position STOP (ARRÊT).	Réglez l'interrupteur I-O sur FONCTIONNEMENT.
	Oubli d'activation de la pompe d'amorçage.	Appuyer 7 à 10 fois.
	Tirage lent de la corde du démarreur.	Tirer plus fort.
	Panne de carburant.	Faire le plein.
	Filtre à carburant bouché.	Nettoyer.
	Tube de carburant plié.	Redresser le tuyau de carburant.
	Carburant détérioré.	Du carburant détérioré rend le démarrage plus difficile. Remplacez-le par du carburant neuf. (Remplacement recommandé : 1 fois par mois)
	Aspiration excessive du carburant.	Réglez le levier d'accélérateur de la vitesse moyenne à la vitesse élevée et tirez sur la poignée de démarrage jusqu'à ce que le moteur démarre. Lorsque le moteur démarre, l'outil de coupe commence à tourner. Faites très attention à l'outil de coupe. Si le moteur ne démarre toujours pas, retirez la bougie, séchez l'électrode et ré-assemblez ces éléments comme ils l'étaient à l'origine. Ensuite, démarrez comme indiqué.
	Protecteur de bougie débranché.	Le brancher solidement.
	Bougie contaminée.	Nettoyer.
	Espacement anormal de la bougie.	Régler l'espacement.
	Autre problème de la bougie.	Remplacer.
	Carburateur anormal.	Faire une demande d'examen et d'entretien.
Le moteur s'arrête rapidement. La vitesse du moteur n'augmente pas.	Impossible de tirer la corde de démarrage.	Faire une demande d'examen et d'entretien.
	Entraînement anormal.	Faire une demande d'examen et d'entretien.
	Réchauffement insuffisant.	Réchauffer le moteur.
	Le levier d'étrangleur est en position « FERMER » alors que le moteur est chaud.	Réglez-le sur « OUVRIR ».
	Filtre à carburant bouché.	Nettoyer.
	Filtre à air contaminé ou bouché.	Nettoyer.
Pas de rotation de la lame métallique.	Carburateur anormal.	Faire une demande d'examen et d'entretien.
	Entraînement anormal.	Faire une demande d'examen et d'entretien.
	Écrou de serrage de la lame métallique desserrée.	Le serrer correctement.
Vibrations anormales de la machine.	Branche attrapée par la lame métallique ou le couvercle anti-dispersion.	Retirer le corps étranger.
	Entraînement anormal.	Faire une demande d'examen et d'entretien.
	Lame métallique cassée, tordue ou émoussée.	Remplacer la lame métallique.
	Écrou de serrage de la lame métallique desserrée.	Le serrer correctement.
La lame métallique ne s'arrête pas immédiatement.	Décalage de la partie convexe de la lame métallique et de son support.	Le brancher solidement.
	Entraînement anormal.	Faire une demande d'examen et d'entretien.
	Rotation élevée au ralenti.	Régler.
Le moteur ne s'arrête pas.	Câble de l'accélérateur débranché.	Le brancher solidement.
	Entraînement anormal.	Faire une demande d'examen et d'entretien.
Faites tourner le moteur au ralenti et réglez le levier d'étrangleur sur « FERMER ».	Connecteur débranché.	Le brancher solidement.
	Système électrique anormal.	Faire une demande d'examen et d'entretien.

Vielen Dank, dass Sie sich für den Kauf eines motorgetriebenen Gartengeräts von DOLMAR entschieden haben. Wir freuen uns, Ihnen dieses DOLMAR-Produkts anbieten zu können, welches das Ergebnis eines langen Entwicklungsprogramms und vieler Jahre an Erkenntnissen und Erfahrungen ist.

Bitte lesen Sie diese Anleitung durch, in der die verschiedenen Punkte, welche die hervorragende Leistung dieses Produkts demonstrieren, ausführlich behandelt werden. So können Sie die bestmöglichen Ergebnisse mit Ihrem DOLMAR-Produkt erzielen.



Inhaltsverzeichnis

Seite

Symbole.....	58
Sicherheitsvorschriften	59
Technische Daten	63
Bezeichnung der Teile	64
Montieren des Handgriffs	65
Montieren der Biegewelle	66
Montieren der Schutzhaube	67
Montieren des Metallblatts / Nylonfadenkopfs.....	69
Vor Betriebsbeginn	70
Richtige Handhabung der Maschine	72
Starten und Abstellen des Motors.....	74
Nachschärfen des Schneidwerkzeugs	77
Wartungsanweisungen	79
Lagerung	83
Fehlersuche.....	85

SYMBOLE

Beim Lesen der Betriebsanleitung werden Sie die folgenden Symbole bemerken.

	Bitte lesen Sie die Betriebsanleitung, und beachten Sie die Warnungen und Sicherheitshinweise!		Im Arbeitsbereich dürfen sich keine anderen Personen und Tiere aufhalten!
	Besondere Sorgfalt und Aufmerksamkeit erforderlich!		Schutzhelm, Schutzbrille und Gehörschutz tragen!
	Verboten!		Höchstzulässige Werkzeugdrehzahl
	Abstand halten!		Kraftstoff (Benzin)
	Gefahr durch umherfliegende Gegenstände!		Manueller Motorstart
	Rückschlag!		Not-Aus
	Rauchen verboten!		Erste Hilfe
	Offene Flammen verboten!		EIN / START
	Schutzhandschuhe tragen!		AUS / STOPP
	Festes Schuhwerk mit rutschfesten Sohlen tragen. Sicherheitsschuhe mit Stahlkappen werden empfohlen!		

SICHERHEITSVORSCHRIFTEN

Allgemeine Vorschriften

- Lesen Sie diese Betriebsanleitung durch, um sich mit der Handhabung des Geräts vertraut zu machen. Unzureichend informierte Benutzer können sich und andere Personen durch unsachgemäßen Gebrauch gefährden.
- Verleihen Sie das Gerät nur an Personen, die nachweislich Erfahrung im Umgang mit derartigen Geräten haben.
Händigen Sie auch stets diese Betriebsanleitung aus.
- Erstbenutzer sollten sich von ihrem Händler grundlegende Anweisungen geben lassen, um sich mit der Handhabung von Motorsensen vertraut zu machen.
- Kindern und Jugendlichen unter 18 Jahren ist die Bedienung dieses Geräts untersagt. Personen über 16 Jahre dürfen das Gerät für Übungszwecke bedienen, jedoch nur unter Aufsicht eines entsprechend qualifizierten Ausbilders.
- Verwenden Sie dieses Gerät stets mit äußerster Sorgfalt und Aufmerksamkeit.
- Betreiben Sie dieses Gerät nur, wenn Sie sich in guter körperlicher Verfassung befinden. Führen Sie alle Arbeiten ruhig und mit Vorsicht aus. Der Benutzer ist gegenüber Dritten verantwortlich.
- Betreiben Sie dieses Gerät nie unter dem Einfluss von Alkohol oder Medikamenten, oder wenn Sie sich müde oder krank fühlen.
- Die Erlaubnis zur Verwendung dieser Maschine kann durch örtlich geltende Vorschriften eingeschränkt sein.

Verwendungszweck der Maschine

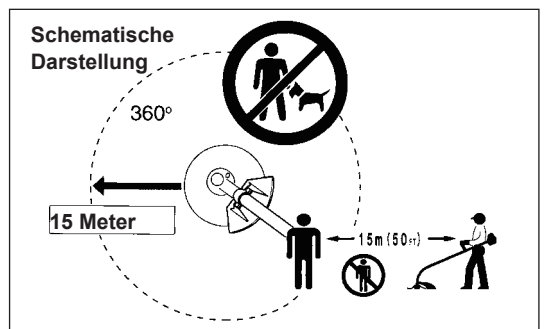
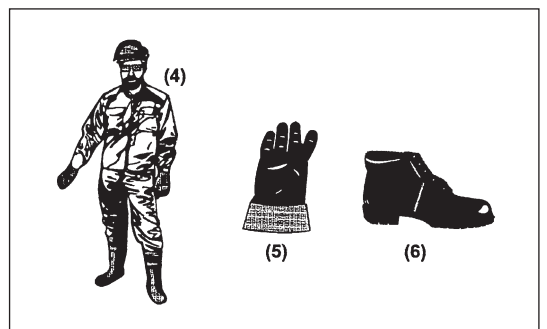
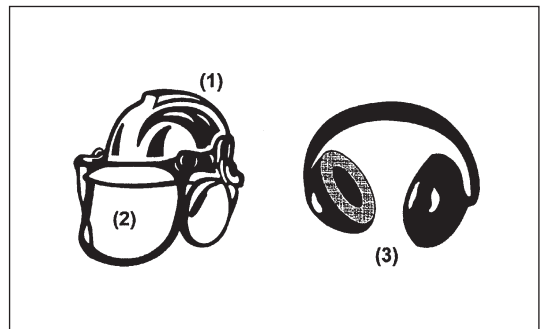
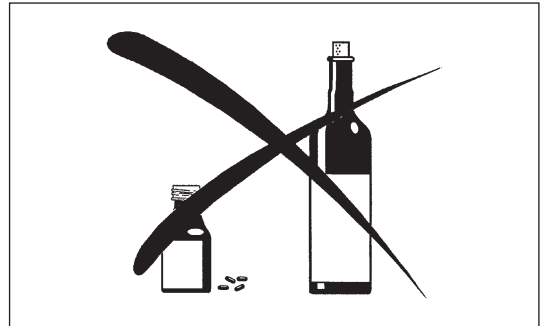
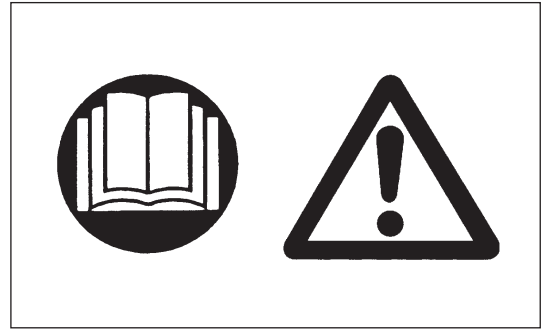
- Dieses Gerät ist ausschließlich für das Schneiden von Gras, Unkraut, Gestrüpp und Niedrigbewuchs vorgesehen. Es sollte nicht für andere Zwecke, wie Kanten- oder Heckenschneiden, verwendet werden, weil dadurch Verletzungen verursacht werden können.

Persönliche Schutzausrüstung

- Die Kleidung soll zweckmäßig und angemessen, d. h. eng anliegend, aber nicht hinderlich sein. Tragen Sie keine Schmuckgegenstände oder Kleidung, die sich an Gebüsch oder Gestrüpp verfangen können.
- Um Kopf-, Augen-, Hand- oder Fußverletzungen zu vermeiden und Ihr Gehör zu schützen, sollten Sie während des Gerätebetriebs die folgende Schutzausrüstung und Schutzkleidung tragen.
- Tragen Sie stets einen Helm, wenn Gefahr von herunterfallenden Objekten besteht. Der Schutzhelm (1) muss regelmäßig auf Beschädigung überprüft und spätestens nach 5 Jahren durch einen neuen ersetzt werden. Verwenden Sie ausschließlich zugelassene Schutzhelme.
- Das Visier (2) des Helms (oder alternativ eine Schutzbrille) schützt das Gesicht vor umherfliegenden Fremdkörpern und Steinen. Tragen Sie während des Gerätebetriebs eine Schutzbrille oder ein Visier, um Augenverletzungen zu vermeiden.
- Tragen Sie einen angemessenen Gehörschutz, um eine Gehörschädigung zu vermeiden (Ohrenschützer (3), Gehörschutzstöpsel usw.).
- Arbeitsoveralls (4) schützen gegen umherfliegende Steine und Unrat. Wir empfehlen dringend, dass der Benutzer einen Arbeitsoverall trägt.
- Handschuhe (5) sind Bestandteil der vorgeschriebenen Ausrüstung und müssen während des Gerätebetriebs immer getragen werden.
- Tragen Sie beim Arbeiten mit dem Gerät stets feste Schuhe (6) mit rutschfester Sohle. Dies schützt vor Verletzungen und gewährleistet guten Stand.

Starten der Motorsense

- Vergewissern Sie sich, dass sich keine Kinder oder andere Personen innerhalb eines Arbeitsradius von 15 m aufhalten, und achten Sie auch auf Tiere im Arbeitsbereich.
- Überprüfen Sie vor jeder Benutzung, dass das Gerät betriebssicher ist: Prüfen Sie die Sicherheit des Schneidwerkzeugs, den Gashebel auf Leichtgängigkeit und die Arretierung des Gashebels auf ordnungsgemäße Funktion.
- Im Leerlauf darf sich das Schneidwerkzeug nicht drehen. Wenden Sie sich im Zweifelsfall an Ihren Händler, um die Einstellungen überprüfen zu lassen. Vergewissern Sie sich, dass die Handgriffe sauber und trocken sind, und überprüfen Sie die Funktion des Start/Stopp-Schalters.

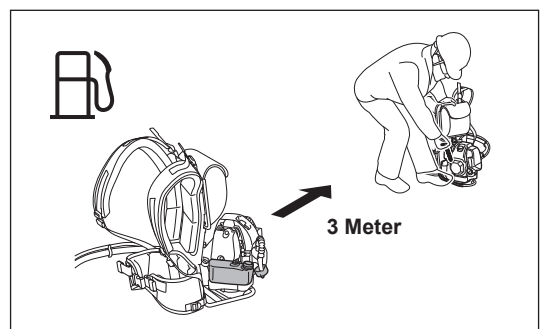
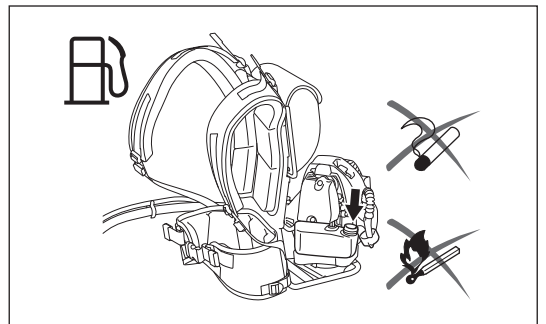
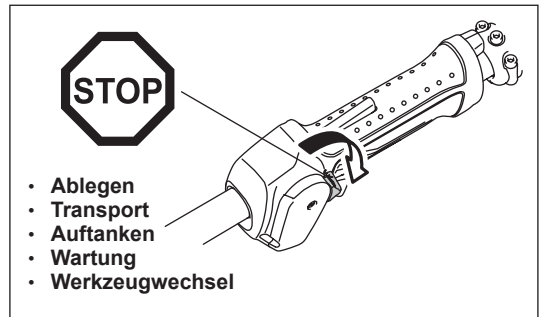
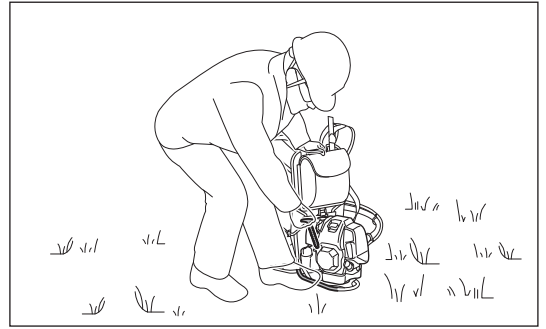


Starten Sie die Motorsense nur gemäß den Anweisungen.

- Verwenden Sie keine anderen Methoden zum Starten des Motors!
- Verwenden Sie die Motorsense und die Werkzeuge nur für die angegebenen Zwecke.
- Starten Sie den Motor nur, wenn das Gerät vollständig zusammengebaut ist. Der Betrieb des Geräts ist nur gestattet, wenn alles dazugehörige Zubehör angebracht ist!
- Stellen Sie vor dem Starten sicher, dass das Schneidwerkzeug keinen Kontakt mit harten Gegenständen, wie z. B. Ästen, Steinen usw., hat, da sich das Schneidwerkzeug beim Starten dreht.
- Schalten Sie den Motor bei Auftreten von Motorstörungen sofort aus.
- Sollte das Schneidwerkzeug Steine oder andere harte Gegenstände treffen, schalten Sie sofort den Motor aus, und überprüfen Sie das Schneidwerkzeug.
- Überprüfen Sie das Schneidwerkzeug in kurzen regelmäßigen Zeitabständen auf Beschädigung (Überprüfung auf Haarrisse durch Klopfest).
- Falls das Gerät einen schweren Aufprall oder Sturz erleidet, überprüfen Sie seinen Zustand, bevor Sie die Arbeit fortsetzen. Überprüfen Sie das Kraftstoffsystem auf Leckagen und die Bedienelemente und Sicherheitsvorrichtungen auf Fehlfunktionen. Wenn Sie einen Schaden feststellen oder Zweifel haben, wenden Sie sich zur Inspektion und Reparatur an unser autorisiertes Service-Center.
- Betreiben Sie das Gerät nur mit angebrachtem Tragegurt, der vor der Inbetriebnahme der Motorsense an den Benutzer anzupassen ist. Wichtig ist, dass der Tragegurt auf die Körpergröße des Benutzers eingestellt wird, um Ermüdung während der Benutzung zu verhindern. Halten Sie die Motorsense während des Betriebs niemals nur mit einer Hand.
- Halten Sie die Motorsense während des Betriebs immer mit beiden Händen. Achten Sie stets auf sicheren Stand.
- Betreiben Sie das Gerät stets so, dass Sie keine Abgase einatmen. Lassen Sie den Motor niemals in geschlossenen Räumen laufen (Gefahr von Gasvergiftung). Kohlenmonoxid ist ein geruchloses Gas.
- Schalten Sie den Motor ab, wenn Sie das Gerät ablegen oder unbeaufsichtigt lassen, und legen Sie das Gerät an einen sicheren Ort, um die Gefährdung von Personen oder Beschädigung der Maschine zu verhüten.
- Legen Sie die heiße Motorsense niemals auf trockenes Gras oder sonstige entflammare Materialien.
- Bringen Sie stets die zugelassene Schneidwerkzeug-Schutzhaube am Gerät an, bevor Sie den Motor starten. Anderenfalls kann eine Berührung mit dem Schneidwerkzeug ernsthafte Verletzungen verursachen.
- Alle mit der Maschine gelieferten Schutzteile und Schutzhauben müssen während des Betriebs benutzt werden.
- Betreiben Sie den Motor niemals mit beschädigtem Auspuffschalldämpfer.
- Schalten Sie den Motor vor dem Transport ab.
- Bringen Sie vor dem Transportieren des Geräts stets die Abdeckung am Metallblatt an.
- Verstauen Sie das Gerät während des Transports in einem Fahrzeug in einer sicheren Position, um Austreten von Kraftstoff zu vermeiden.
- Stellen Sie sicher, dass der Kraftstofftank des Geräts beim Transport vollständig leer ist.
- Setzen Sie den Motor beim Abladen des Gerätes von einem LKW niemals hart auf den Boden auf, weil sonst der Kraftstofftank beschädigt werden kann.
- Lassen Sie das Gerät, außer im Notfall, niemals zu Boden fallen, da das Gerät dadurch schwer beschädigt werden kann.

Auftanken

- Schalten Sie den Motor beim Auftanken ab, halten Sie ihn von offenen Flammen fern, und unterlassen Sie Rauchen.
- Vermeiden Sie Hautkontakt mit Mineralölprodukten. Atmen Sie Kraftstoffdämpfe nicht ein. Tragen Sie beim Auftanken stets Schutzhandschuhe. Die Schutzkleidung ist in regelmäßigen Abständen zu wechseln und zu reinigen.
- Achten Sie darauf, weder Kraftstoff noch Öl zu verschütten, um Bodenverschmutzung zu verhüten (Umweltschutz). Wischen Sie verschütteten Kraftstoff unverzüglich von der Motorsense ab.
- Achten Sie darauf, dass kein Kraftstoff mit Ihrer Kleidung in Berührung kommt. Falls Kraftstoff auf Ihre Kleidung verschüttet worden ist, wechseln Sie die Kleidung sofort (um Brandgefahr zu verhüten).
- Überprüfen Sie den Tankdeckel in regelmäßigen Abständen auf festen Sitz und Dichtheit.
- Ziehen Sie den Tankdeckel sorgfältig fest. Wechseln Sie den Standort zum Starten des Motors (mindestens 3 m vom Ort des Auftankens entfernt).
- Betanken Sie die Maschine niemals in geschlossenen Räumen. Kraftstoffdämpfe sammeln sich in Bodennähe an (Explosionsgefahr).
- Transportieren und lagern Sie Kraftstoff nur in zugelassenen Behältern. Lagern Sie Kraftstoff an einem für Kinder unzugänglichen Ort.
- Tanken Sie immer auf einer stabilen, ebenen Fläche auf, um Verschütten von Kraftstoff zu vermeiden.



Handhabung

- Verwenden Sie das Gerät nur bei guten Licht- und Sichtverhältnissen. Achten Sie im Winter auf rutschige oder nasse Bereiche, Eis und Schnee (Rutschgefahr). Sorgen Sie immer für einen sicheren Stand.
- Schneiden Sie niemals über Hüfthöhe.
- Schneiden Sie niemals auf einer Leiter stehend.
- Klettern Sie niemals auf Bäume, um Schneidarbeiten auszuführen.
- Arbeiten Sie niemals auf instabilen Flächen.
- Entfernen Sie Sand, Steine, Nägel usw. aus dem Arbeitsbereich. Fremdkörper können das Schneidwerkzeug beschädigen und gefährliche Rückschläge verursachen.
- Vergewissern Sie sich vor Beginn der Schneidarbeit, dass das Schneidwerkzeug die volle Arbeitsdrehzahl erreicht hat.
- Wenn Sie Metallblätter verwenden, schwenken Sie das Gerät gleichmäßig in einem Halbkreis von rechts nach links wie eine Sense. Wenn Gras oder Äste zwischen Schneidwerkzeug und Schutzhaube hängen bleiben, schalten Sie stets den Motor ab, bevor Sie mit der Reinigung beginnen. Anderenfalls kann es durch unbeabsichtigte Messerdrehung zu ernsthaften Verletzungen kommen.
- Machen Sie eine Pause, um durch Müdigkeit verursachten Verlust der Kontrolle zu verhüten. Wir empfehlen, jede Stunde eine Pause von 10 bis 20 Minuten einzulegen.
- Achten Sie darauf, dass das Schneidwerkzeug während des Betriebs nicht den Boden berührt. Anderenfalls kann das Schneidwerkzeug ein Objekt berühren, was zu Personenschaden führen kann.
- Halten Sie das Metallblatt während des Betriebs parallel zum Boden.

Schneidwerkzeuge

- Verwenden Sie ein für die anstehende Arbeit geeignetes Schneidwerkzeug. Für das Schneiden von Rasengras sind Nylonfadenköpfe (Fadentrimmerköpfe) geeignet. Metallblätter eignen sich zum Schneiden von Unkraut, hohem Gras, Buschwerk, Gestrüch, Unterholz, Dickicht und dergleichen. Verwenden Sie keinesfalls andere Blätter, einschließlich mehrgliedriger Gelenkketten aus Metall und Flegelblätter. Anderenfalls kann es zu ernsthaften Verletzungen kommen.
- Wenn Sie Metallblätter verwenden, vermeiden Sie „Rückschlag“, und machen Sie sich immer auf unvorhergesehene Rückschläge gefasst. Siehe den Abschnitt „Rückschlag“.

Rückschlag (Kickback)

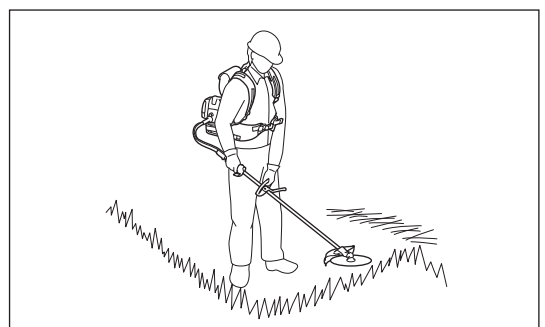
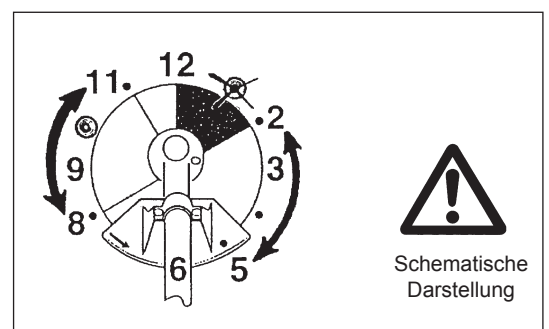
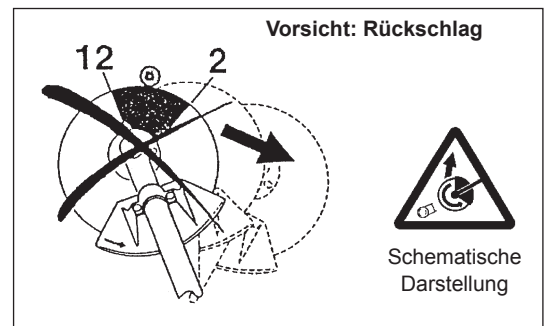
- Ein Rückschlag (Kickback) ist eine plötzliche Reaktion bei einem Verfangen oder Festsitzen des Metallblatts. Tritt ein Rückschlag auf, wird das Werkzeug mit großer Kraft seitwärts oder in Richtung des Bedieners geschleudert und kann schwere Verletzungen verursachen.
- Rückschlag tritt vor allem auf, wenn feste Gegenstände, Büsche und Bäume mit einem Durchmesser von 3 cm oder mehr im Schneidblattsegment zwischen der 12- und 2-Uhr-Stellung geschnitten werden.
- So vermeiden Sie Rückschlag:
 - Setzen Sie das Segment zwischen der 8- und 11-Uhr-Stellung an.
 - Setzen Sie niemals das Segment zwischen der 12- und 2-Uhr-Stellung an.
 - Setzen Sie niemals das Segment zwischen der 11- und 12-Uhr-Stellung sowie zwischen der 2- und 5-Uhr-Stellung an, es sei denn, der Bediener ist geschult und erfahren und führt die Arbeiten auf eigene Gefahr aus.
 - Verwenden Sie keinesfalls Metallblätter in der Nähe von festen Gegenständen, wie Zäunen, Mauern, Baumstümpfen und Steinen.
 - Verwenden Sie Metallblätter niemals senkrecht, z. B. zum Abkanten oder Heckenschneiden.

Schwingungen

- Bei Personen mit Durchblutungsstörungen, die starken Schwingungen ausgesetzt werden, kann es zu einer Schädigung von Blutgefäßen oder des Nervensystems kommen. Folgende Symptome können durch Schwingungen an Fingern, Händen oder Handgelenken auftreten: „Einschlafen“ von Körperteilen (Taubheit), Kribbeln, Schmerz, Stechen, Veränderung von Hautfarbe oder Haut. Falls eines dieser Symptome auftritt, suchen Sie einen Arzt auf!
- Um das Risiko der „Weißfingerkrankheit“ zu verringern, halten Sie Ihre Hände während der Arbeit warm, und warten und pflegen Sie Maschine und Zubehörteile gut.

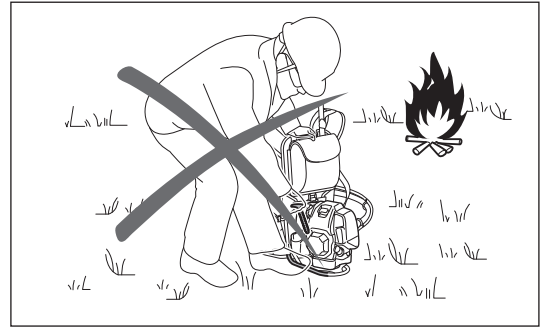
Wartungsvorschriften

- Lassen Sie Ihr Gerät von unserem autorisierten Service-Center warten, und verwenden Sie stets nur originale Ersatzteile. Unsachgemäße Reparatur und schlechte Wartung können die Lebensdauer des Geräts verkürzen und das Unfallrisiko erhöhen.
- Überprüfen Sie immer den Zustand des Schneidglieds, insbesondere des Schneidwerkzeugs, der Schutzvorrichtungen und des Tragegurts, bevor Sie mit der Arbeit beginnen. Metallblätter erfordern besondere Aufmerksamkeit, da sie korrekt geschärft werden müssen.
- Schalten Sie den Motor ab, und ziehen Sie den Zündkerzenstecker ab, bevor Sie Schneidwerkzeuge austauschen oder schärfen; dies gilt auch für das Reinigen des Schneidglieds oder des Schneidwerkzeugs.



Beschädigte Schneidwerkzeuge dürfen auf keinen Fall gerade gerichtet oder geschweißt werden.

- Nehmen Sie Rücksicht auf die Umwelt. Vermeiden Sie unnötige Betätigung des Gashebels, damit Umweltbelastung und Geräuschentwicklung so gering wie möglich gehalten werden. Achten Sie auf korrekte Vergasereinstellung.
- Reinigen Sie das Gerät regelmäßig und prüfen Sie nach, ob alle Schrauben und Muttern fest angezogen sind.
- Das Gerät darf auf keinen Fall in der Nähe von offenen Flammen gewartet oder gelagert werden.
- Lagern Sie das Gerät immer in einem abschließbaren Raum und nur mit geleertem Kraftstofftank.
- Bringen Sie vor jeder Reinigung, Wartung und Lagerung des Geräts stets die Abdeckung am Metallblatt an.



Beachten Sie die geltenden Bestimmungen zur Unfallverhinderung, die von den zuständigen Berufsverbänden und von Versicherungsunternehmen herausgebracht werden.

Nehmen Sie keinerlei technische Veränderungen am Gerät vor, da dies Ihre Sicherheit gefährden würde.

Die Durchführung von Wartungs- und Reparaturarbeiten durch den Benutzer beschränkt sich auf die in dieser Betriebsanleitung beschriebenen Aktivitäten. Alle anderen Arbeiten müssen von einer Vertragswerkstatt durchgeführt werden. Verwenden Sie ausschließlich originale Ersatz- und Zubehörteile, die von DOLMAR freigegeben sind und geliefert werden.

Die Verwendung nicht freigegebener Zubehörteile und Werkzeuge stellt eine erhöhte Unfallgefahr dar.

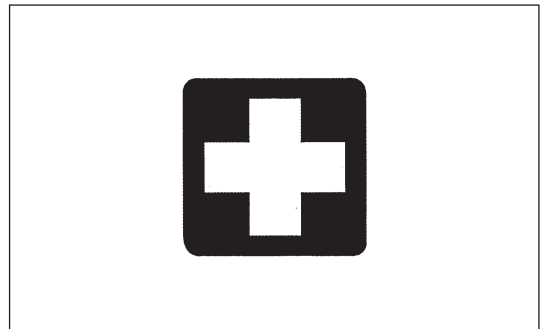
DOLMAR übernimmt keine Haftung für Unfälle oder Schäden, die durch die Verwendung nicht freigegebener Schneidwerkzeuge, Befestigungen für Schneidwerkzeuge und Zubehörteile verursacht werden.

Erste Hilfe

Stellen Sie für den Fall eines Unfalls sicher, dass in der Nähe der Schneidarbeiten ein Erste-Hilfe-Kasten verfügbar ist. Ersetzen Sie aus dem Erste-Hilfe-Kasten entnommene Materialien sofort.

Machen Sie folgende Angaben, wenn Sie Hilfe anfordern:

- Ort des Unfalls
- Was ist passiert
- Anzahl der verletzten Personen
- Art der Verletzungen
- Ihr Name



Nur für europäische Länder

EG-Konformitätserklärung

Makita erklärt, dass die folgende(n) Maschine(n):

Bezeichnung der Maschine: Rückentragbare Benzin-Motorsense
Modell-Nr./Typ: MS-4300.4 R

den folgenden EU-Richtlinien genügt / genügen:

2000/14/EG, 2006/42/EG

Sie werden gemäß den folgenden Standards oder standardisierten Dokumenten hergestellt:

EN ISO 11806-2

Die technische Akte in Übereinstimmung mit 2006/42/EG ist erhältlich von:

Makita, Jan-Baptist Vinkstraat 2, 3070, Belgien

Das von der Richtlinie 2000/14/EG geforderte Konformitätsbewertungsverfahren war in Übereinstimmung mit Anhang V.

(Mit Nylonfadenkopf)

Gemessener Schalleistungspegel: 110,6 dB

Garantierter Schalleistungspegel: 111 dB

(Mit Schneidblatt)

Gemessener Schalleistungspegel: 104,1 dB

Garantierter Schalleistungspegel: 105 dB

1.9.2014

Yasushi Fukaya
Direktor

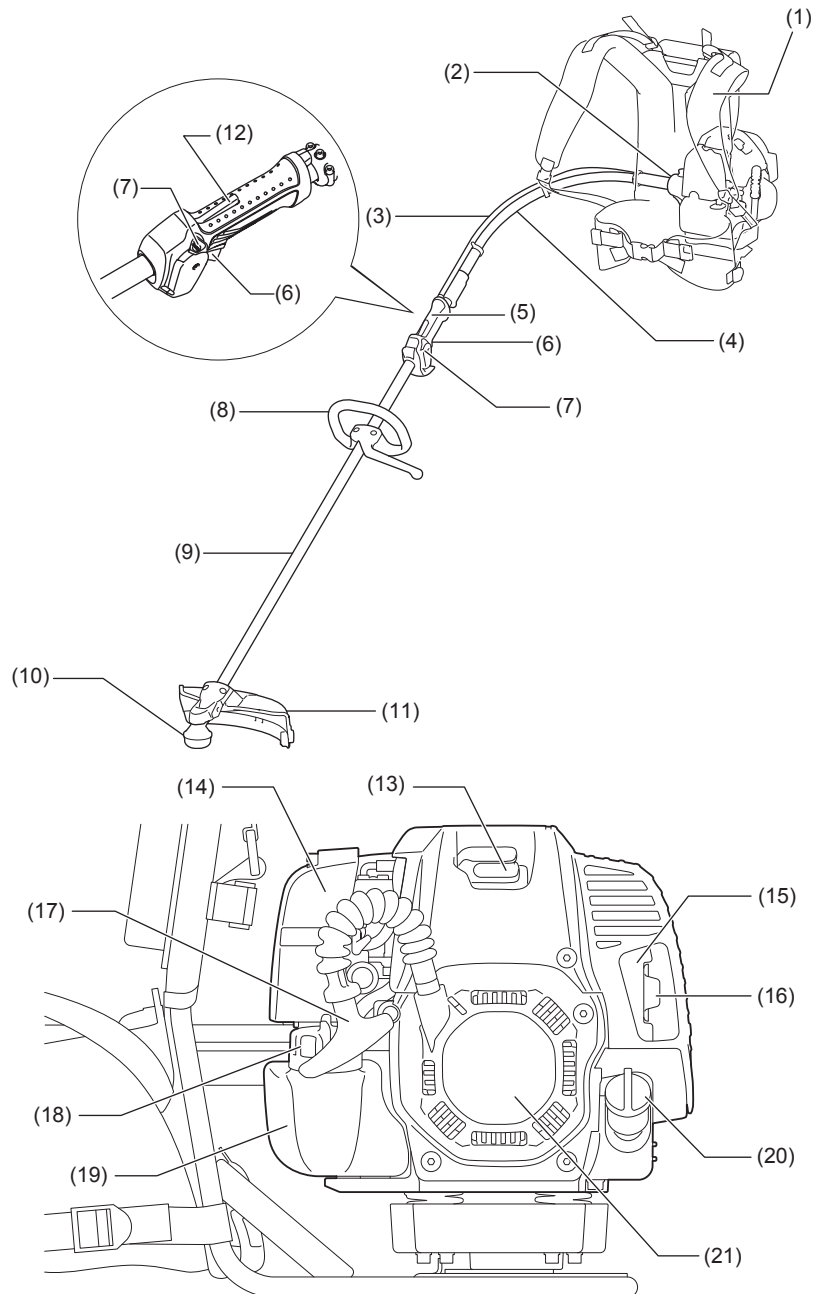
Makita, Jan-Baptist Vinkstraat 2, 3070, Belgien

TECHNISCHE DATEN

Modell			MS-4300.4 R		
Handgrifftyp			Bügelgriff		
Abmessungen: Länge x Breite x Höhe (ohne Biegewellen- / Geradwellenteil)			mm	358 x 280 x 587	
Gewicht (ohne Kunststoffschutz und Schneidwerkzeug)			kg	12,0	
Fassungsvermögen (Kraftstofftank)			L	0,8	
Volumen (Öltank)			L	0,1	
Motor-Hubraum			cm ³	43,0	
Maximale Motorleistung			kW	1,5 bei 7.500 min ⁻¹	
Motordrehzahl bei empfohlener max. Wellendrehzahl			min ⁻¹	10.500	
Maximale Wellendrehzahl (entsprechend)			min ⁻¹	7.200	
Leerlaufdrehzahl			min ⁻¹	3.000	
Kupplungseinrückdrehzahl			min ⁻¹	4.000	
Vergaser			Membranvergaser		
Zündkerze			Typ	NGK CMR6A	
Elektrodenabstand			mm	0,7 – 0,8	
			SCHNEIDBLATT	NYLONFADENKOPF	
Schwingungen nach ISO 22867	Rechter Griff (Hinterer Griff)	$a_{hv\ eq}$	m/s ²	2,7	2,4
		Abweichung K	m/s ²	0,8	0,7
	Linker Griff (Vorderer Griff)	$a_{hv\ eq}$	m/s ²	3,2	3,4
		Abweichung K	m/s ²	1,7	1,0
Durchschnittlicher Schalldruckpegel nach ISO 22868		$L_{PA\ eq}$	dB (A)	83,5	92,5
		Abweichung K	dB (A)	1,1	1,7
Durchschnittlicher Schalleistungspegel nach ISO 22868		$L_{WA\ eq}$	dB (A)	104,1	110,6
		Abweichung K	dB (A)	1,1	0,7
Kraftstoff			Kfz-Ottokraftstoff (Benzin)		
Motoröl			Öl nach API-Klassifikation SAE 10W-30 Klasse SF oder höher (Motoröl für Kfz-4-Takt-Motor)		
Schneidwerkzeuge (Schneidblatt-Durchmesser)			mm	440 (mit Nylonfadenkopf), 255 (mit 3-Zahn-Blatt), 257 (mit 3-Zahn-Blatt), 305 (mit 2-Zahn-Blatt)	
Übersetzungsverhältnis			13/19		

- Aufgrund unseres Dauerprogramms der Forschung und Entwicklung unterliegen die hier angegebenen technischen Daten Änderung ohne Vorankündigung.
- Die technischen Daten können von Land zu Land unterschiedlich sein.

BEZEICHNUNG DER TEILE



1. Tragegurt	2. Kupplungsgehäuse	3. Steuerkabel	4. Biegewelle
5. Hinterer Griff	6. Gashebel	7. I-O-Schalter (ein/aus)	8. Handgriff
9. Gerade Welle	10. Getriebegehäuse	11. Schutzhaube (Schneidwerkzeugschutz)	12. Einschaltsperrhebel
13. Zündkerze	14. Luftfilter	15. Abgasschalldämpfer	16. Abgasleitung
17. Startergriff	18. Kraftstofftankdeckel	19. Kraftstofftank	20. Öldeckel
21. Seilzugstarter			

MONTIEREN DES HANDGRIFFS

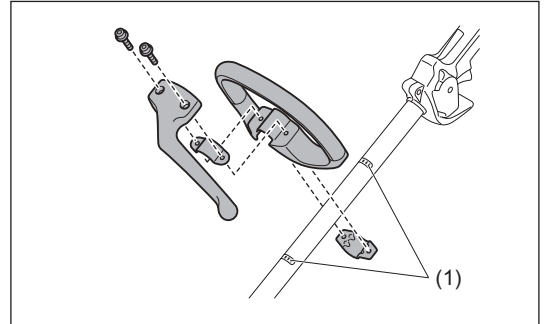
⚠ VORSICHT:

- Bevor Sie irgendwelche Arbeiten am Gerät durchführen, stellen Sie immer den Motor ab, und ziehen Sie den Zündkerzenstecker von der Zündkerze ab.
- Tragen Sie immer Schutzhandschuhe!

⚠ VORSICHT:

- Stellen Sie vor dem Starten des Motors sicher, dass das Gerät vollständig zusammengebaut ist.

- Befestigen Sie den Bügelgriff mit zwei Schrauben an der Welle.
- Um einen angemessenen Abstand zwischen den Handgriffen einzuhalten, setzen Sie den Handgriff zwischen die Pfeilmarken (1) an der Welle.



MONTIEREN DER BIEGEWELLE

Montieren der Biegewelle

1. Entfernen Sie die Schraube (1) vom Ende der geraden Welle (2).
2. Entfernen Sie die Kappe von der Biegewelle.

HINWEIS:

- Verlieren Sie die Kappe nicht. Setzen Sie stets die Kappe auf, wenn Sie die Biegewelle entfernen.

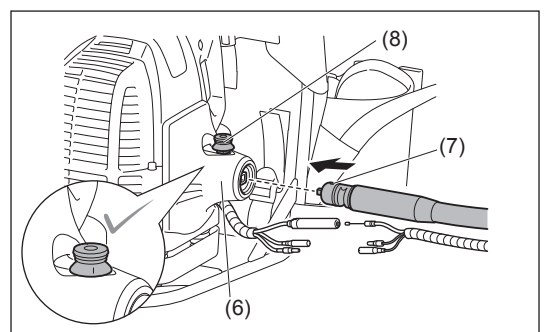
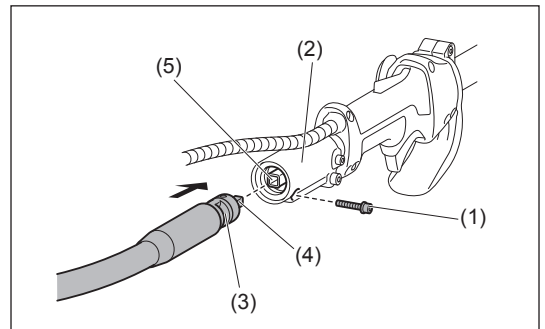
3. Drehen Sie die Biegewelle so, dass der ausgebuchtete Teil (3) der Biegewelle nach unten weist.
4. Richten Sie die Vierkant-Innenwelle (4) auf die Vierkantmuffe (5) aus. Führen Sie das Ende der Biegewelle bis zum Anschlag in den Rohrhalter ein.
5. Ziehen Sie die Teile mit der Schraube (1) fest.

BEMERKUNG:

- Falls das Einführen der Biegewelle schwierig ist, richten Sie die Vierkant-Innenwelle (4) erneut aus.
- Ziehen Sie die Innenwelle nicht weiter als 35 mm heraus.

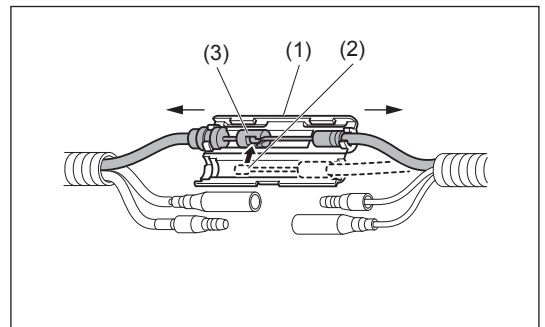
6. Richten Sie das Loch (7) am anderen Ende der Biegewelle auf den Knopf (8) am Kupplungsgehäuse (6) aus, und führen Sie die Biegewelle in das Kupplungsgehäuse ein.
7. Vergewissern Sie sich, dass der Knopf mit einem Klicken in das Loch der Biegewelle einrastet.

Um die Biegewelle vom Kupplungsgehäuse zu entfernen, ziehen Sie den Knopf hoch, und nehmen Sie die Welle ab.



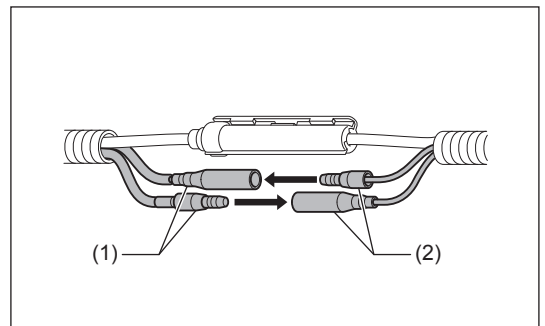
Anschließen des Steuerkabels

1. Befestigen Sie das Ende des vom Steuerhebel kommenden Steuerkabels (2) am Ende des vom Motor kommenden Steuerkabels (3).
2. Legen Sie das vom Steuerhebel kommende Steuerkabel in das Anschlussgehäuse (1). Schließen Sie dann das Anschlussgehäuse.
3. Vergewissern Sie sich, dass sich die Drosselklappe im Vergaser gleichzeitig mit dem Ziehen des Gashebels bewegt.



Anschließen der Verbindungskabel

Schließen Sie die Verbindungskabel von Motor (1) und Steuerhebel (2) zusammen, indem Sie die einzelnen Stecker in die Buchsen einführen.

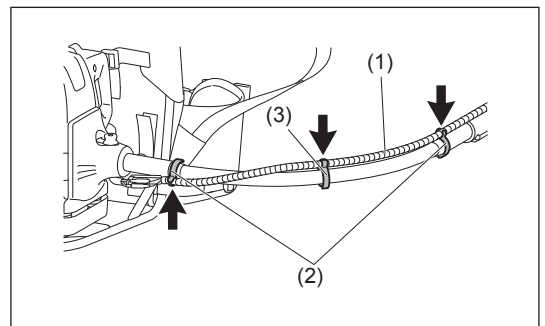


Sichern des Steuerkabels

Sichern Sie das Steuerkabel (1) mit zwei Klemmen (2) und einer weiteren Klemme (3) an der Biegewelle, wie in der Abbildung dargestellt.

⚠ VORSICHT:

- Vergewissern Sie sich, dass das Steuerkabel ordnungsgemäß an der Biegewelle angebracht ist. Ein lockeres Kabel kann an Ästen usw. hängen bleiben und Personenschaden verursachen.
- Winden Sie das Steuerkabel nicht um die Biegewelle. Anderenfalls funktioniert die Drosselklappe nicht ordnungsgemäß.



MONTIEREN DER SCHUTZHAUBE

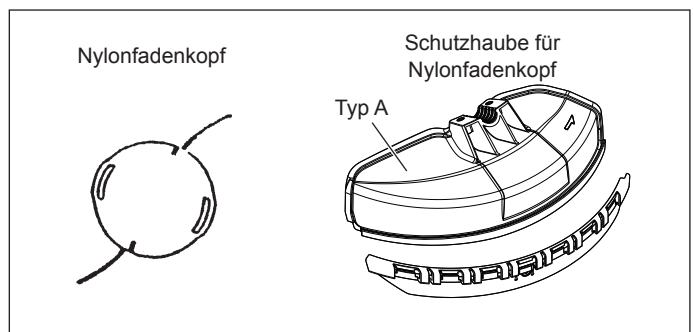
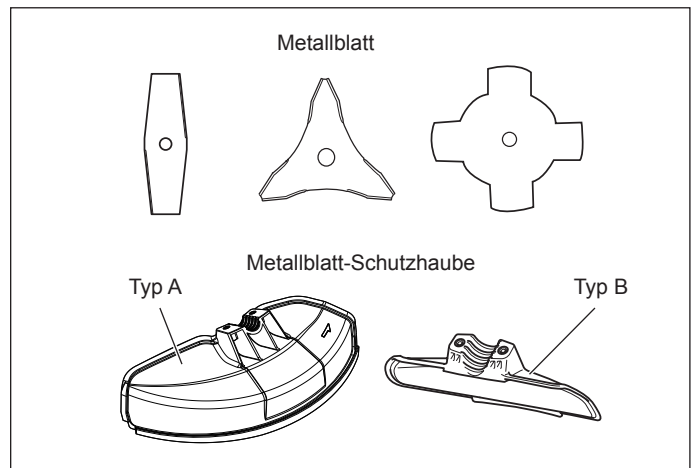
Um die geltenden Sicherheitsvorschriften zu erfüllen, dürfen nur die in der Tabelle angegebenen Werkzeug/Schutzhaube-Kombinationen verwendet werden.

⚠ VORSICHT:

- Für Ihre eigene Sicherheit und die Einhaltung der Bestimmungen zur Unfallverhinderung muss stets eine geeignete Schutzhaube montiert werden. Der Betrieb des Geräts ohne montierte Schutzhaube ist verboten. Wenden Sie bei Verwendung eines Sägeblatts keine anderen Kombinationen an.

HINWEIS:

- Die Standard-Kombination von Schneidwerkzeugen ist je nach Land unterschiedlich.



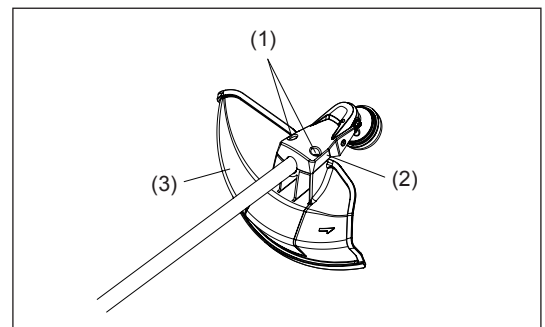
Für Metallblätter

⚠ VORSICHT:

- Vergewissern Sie sich, dass die Schutzhauben-Befestigungsschrauben gleichförmig angezogen sind, so dass der Spalt zwischen Klemme und Schutzhaube gleichmäßig ist. Anderenfalls funktioniert die Schutzhaube u. U. nicht wie angegeben.

(Für Schutzhaube des Typs A)

Befestigen Sie die Schutzhaube (3) mit zwei Schrauben M6x30 (1) an der Klemme (2).

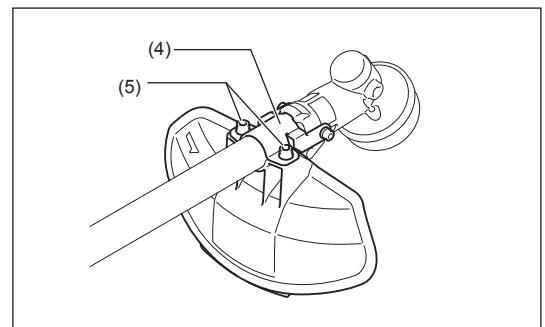


(Für Schutzhaube des Typs B)

Befestigen Sie die Schutzhaube mit zwei Schrauben M6x18 (5) an der Klemme (4).

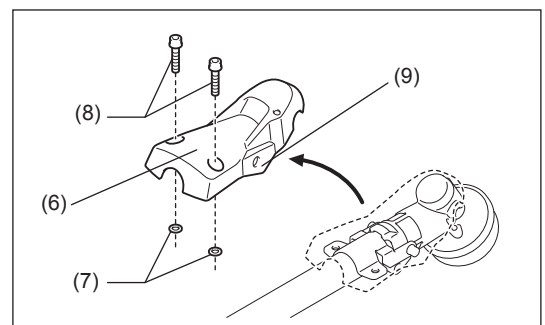
Falls die Schutzhaubenabdeckung (6) an der Welle montiert ist, entfernen Sie diese zuerst wie folgt.

- Die Beilagscheiben (7) und Schrauben M6x30 (8) von der Schutzhaubenabdeckung entfernen.
- Die Schutzhaubenabdeckung durch leichtes Spreizen der Rippe (9) entfernen.



HINWEIS:

- Wenn Sie die Schutzhaube von Typ B zu Typ A wechseln, montieren Sie Schutzhaubenabdeckung, Schrauben M6x30 und Beilagscheiben an der Welle, bevor Sie die Schutzhaube montieren.

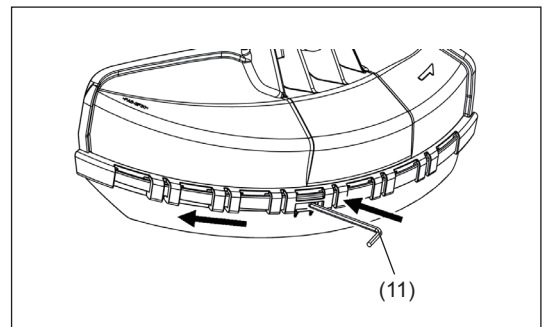
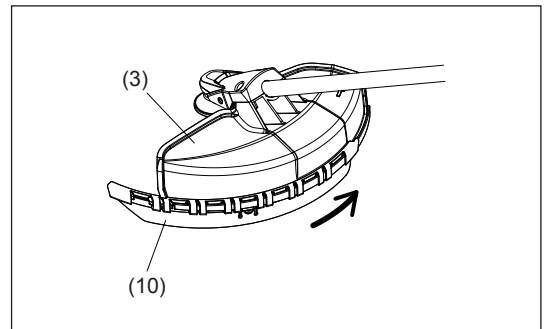


Für Nylonfadenkopf

- Montieren Sie die Nylonfadenkopf-Schutzhaube (10) an der Metallblatt-Schutzhaube (3) des Typs A, die mit der Nylonfadenkopf-Schutzhaube kombiniert wird.
- Montieren Sie die Nylonfadenkopf-Schutzhaube (10), indem Sie sie von der Flanke der Metallblatt-Schutzhaube (3) aus hineinschieben.
- Entfernen Sie das am Nylonfadenschneider aufgeklebte Band an der Nylonfadenkopf-Schutzhaube (10).

⚠ VORSICHT:

- Achten Sie darauf, dass die Nylonfadenkopf-Schutzhaube (10) bis zum Anschlag vollständig eingeführt ist.
Achten Sie darauf, dass Sie sich nicht am Nylonfaden-Abschneider verletzen.
- Um die Nylonfadenkopf-Schutzhaube (10) abzunehmen, führen Sie einen Inbusschlüssel (11) in die Kerbe an der Metallblatt-Schutzhaube (3) ein, drücken Sie den Schlüssel hinein, und schieben Sie gleichzeitig die Nylonfadenkopf-Schutzhaube (10) ab.



MONTIEREN DES METALLBLATTS / NYLONFADENKOPFS

Verwenden Sie ausschließlich originale Metallblätter oder Nylonfadenköpfe von DOLMAR.

- Das Metallblatt muss gut geschliffen sein und darf keine Risse oder Brüche aufweisen. Falls das Metallblatt während des Betriebs gegen einen Stein stößt, stellen Sie den Motor ab, und überprüfen Sie das Metallblatt sofort.
- Schleifen oder ersetzen Sie das Metallblatt nach jeweils drei Betriebsstunden.
- Falls der Nylonfadenkopf während des Betriebs gegen einen Stein stößt, stellen Sie den Motor ab, und überprüfen Sie den Nylonfadenkopf sofort.

⚠ VORSICHT:

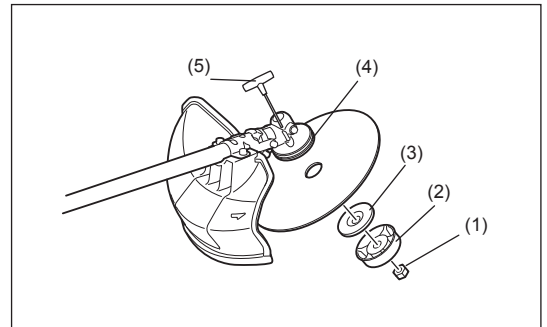
- Für Ihre eigene Sicherheit und die Einhaltung der Bestimmungen zur Unfallverhinderung muss stets eine geeignete Schutzhaube montiert werden.

Der Betrieb des Werkzeugs ohne montierte Schutzhaube ist verboten.

Der Außendurchmesser des Schneidblatts darf höchstens 300 mm betragen. Verwenden Sie niemals Schneidblätter, deren Außendurchmesser 300 mm überschreitet. Nur 2-Zahn-Blätter können als Schneidblätter mit einem Außendurchmesser von 305 mm oder 12 Zoll verwendet werden.

Drehen Sie die gerade Welle um, um den Austausch des Metallblatts oder des Nylonfadenkopfs zu erleichtern.

- Führen Sie den Inbusschlüssel (5) durch die Öffnung im Getriebegehäuse ein, und drehen Sie die Aufnahmescheibe (4), bis der Inbusschlüssel greift.
- Lösen Sie die Mutter (1) (Linksgewinde) mit dem Steckschlüssel, und entfernen Sie Mutter (1), Kappe (2) und Klemmscheibe (3).



Montieren des Metallblatts mit eingestecktem Inbusschlüssel

- Montieren Sie das Metallblatt so auf die Welle, dass die Führung der Aufnahmescheibe (4) in das Wellenloch im Metallblatt passt. Befestigen Sie die Klemmscheibe (3) und die Kappe (2), und sichern Sie das Metallblatt mit der Mutter (1).

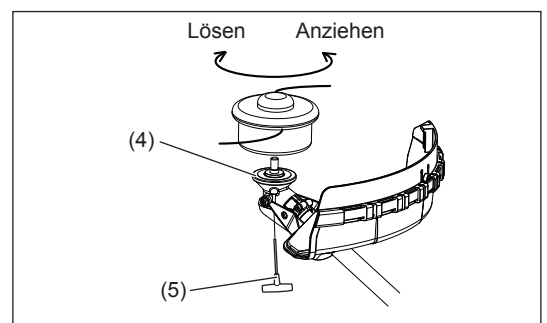
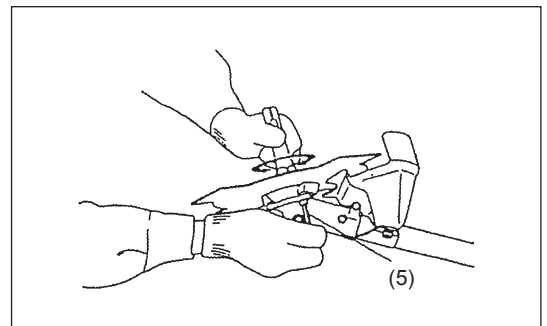
[Anzugsmoment: 20 – 30 N•m]

HINWEIS:

- Tragen Sie bei der Handhabung des Metallblatts immer Schutzhandschuhe.

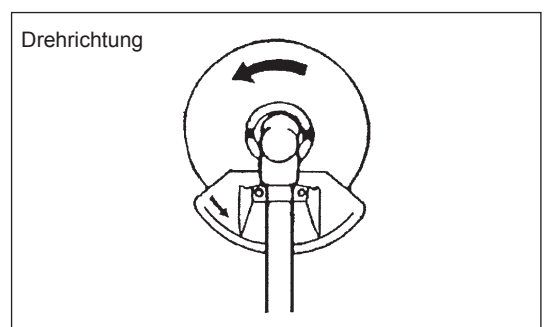
HINWEIS:

- Die Befestigungsmutter (mit Federscheibe) des Metallblatts ist ein Verschleißteil. Wenn Sie Verschleiß oder Deformation an der Federscheibe feststellen, ersetzen Sie die Mutter.



Montieren des Nylonfadenkopfs

- Für die Montage des Nylonfadenkopfs werden Klemmscheibe (3), Kappe (2) und Mutter (1) nicht benötigt. Der Nylonfadenkopf muss auf die Aufnahmescheibe (4) passen.
- Führen Sie den Inbusschlüssel (5) durch die Öffnung im Getriebegehäuse ein, und drehen Sie die Aufnahmescheibe (4), bis der Inbusschlüssel greift.
- Schrauben Sie anschließend den Nylonfadenkopf auf die Welle auf, indem Sie ihn entgegen dem Uhrzeigersinn drehen.
- Den Inbusschlüssel entfernen.

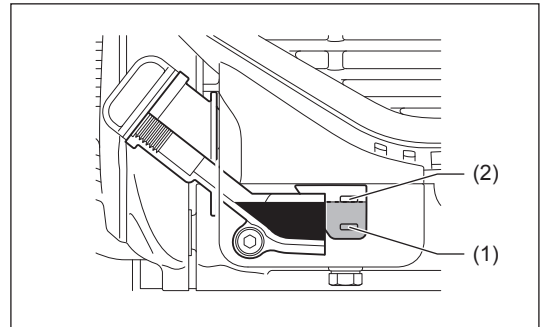


VOR BETRIEBSBEGINN

Überprüfen und Nachfüllen von Motoröl

- Wenden Sie das folgende Verfahren bei abgekühltem Motor an.
- Stellen Sie den Motor auf eine ebene Fläche, und prüfen Sie, ob der Ölstand zwischen der Untergrenze (1) und der Obergrenze (2) des Ölstandanzeigers liegt.
- Wenn der Ölstand unter der Untergrenze liegt, nehmen Sie den Öldeckel ab, und füllen Sie Öl nach.
- Der Bereich um die externen Markierungen ist transparent, so dass Sie den Ölstand im Inneren prüfen können, ohne den Öldeckel abzunehmen. Wenn die Ölleitung jedoch stark verschmutzt ist, kann die Transparenz verloren gehen, und der Ölstand muss am gestuften Abschnitt im Inneren der Ölleitung geprüft werden.
- Öl muss gegebenenfalls nach jeweils ca. 10 Betriebsstunden (10 Auftankungen) nachgefüllt werden.

Falls das Öl seine Farbe geändert oder sich mit Schmutz vermischt hat, ersetzen Sie es durch neues Öl. (Informationen über Intervall und Vorgehensweise für den Ölwechsel finden Sie auf S. 79.)



Empfohlenes Öl: Öl der API-Klassifikation SAE 10W-30, Klasse SF oder höher (4-Takt-Motor für Kfz)

Ölmenge: Ca. 0,10 L

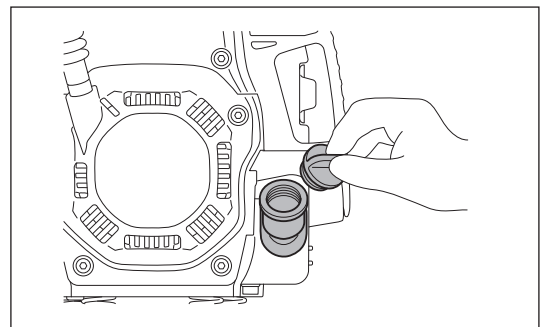
HINWEIS:

- Wenn sich der Motor nicht, wie dargestellt, auf einer waagerechten Fläche befindet, erhält man u. U. eine falsche Ölstandanzeige, so dass möglicherweise zu viel Öl nachgefüllt wird. Wird Öl über die Obergrenze hinaus eingefüllt, kann es zu Ölverschmutzung und/oder Entwicklung von weißem Rauch kommen.

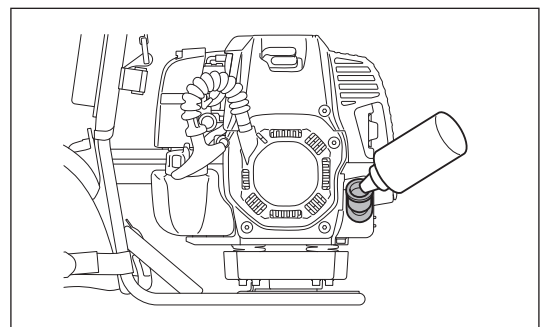
Ölwechsel: „Öldeckel“

- Entfernen Sie Staub und Schmutz um den Öleinfüllstutzen, und nehmen Sie den Öldeckel ab.
- Halten Sie den abgenommenen Öldeckel von Sand oder Staub frei. Anderenfalls kann am Öldeckel haftender Sand oder Staub unregelmäßige Ölzirkulation oder Verschleiß von Motorteilen verursachen, was zu Störungen führt.

(1) Halten Sie den Motor waagrecht, und nehmen Sie den Öldeckel ab.



(2) Füllen Sie Öl bis zur oberen Grenzmarkierung ein.
Verwenden Sie zum Auffüllen eine Ölflasche.



(3) Ziehen Sie den Öldeckel fest. Bei unzureichendem Festschrauben kann Öl auslaufen.

HINWEIS:

- Füllen Sie Öl nicht bei geneigtem Motor auf.
- Einfüllen von Öl bei geneigtem Motor führt zu Überfüllen, was Ölverschmutzung und/oder Entwicklung von weißem Rauch verursacht.

Nach dem Auffüllen von Öl

- Wischen Sie verschüttetes Öl sofort mit einem Putzlappen ab.

AUFTANKEN

Umgang mit Kraftstoff

Beim Umgang mit Kraftstoff ist äußerste Vorsicht geboten. Kraftstoff kann Substanzen enthalten, die wie Lösungsmittel wirken. Tanken Sie nur in einem gut belüfteten Raum oder im Freien auf. Atmen Sie Kraftstoffdämpfe nicht ein, und vermeiden Sie jeglichen Körperkontakt mit Kraftstoff. Durch anhaltenden oder wiederholten Hautkontakt wird die Haut trocken, und es kann zu Hauterkrankungen oder allergischen Reaktionen kommen. Falls Kraftstoff in die Augen gelangt, spülen Sie die Augen sofort mit frischem Wasser aus. Falls die Augenreizung anhält, suchen Sie einen Arzt auf.

Lagerungsdauer von Kraftstoff

Kraftstoff sollte innerhalb eines Zeitraums von 4 Wochen gebraucht werden, selbst wenn er in einem speziellen Behälter an einem gut belüfteten, schattigen Ort gelagert wird. Anderenfalls kann sich der Kraftstoff schon innerhalb eines Tages zersetzen.

LAGERUNG DER MASCHINE UND DES KRAFTSTOFFKANISTERS

- Lagern Sie die Maschine und den Kraftstoffkanister an einem kühlen Ort ohne direkte Sonneneinstrahlung.
- Bewahren Sie Kraftstoff niemals in einem Kraftfahrzeug auf.

Kraftstoff

Bei diesem Motor handelt es sich um einen Viertakt-Motor. Verwenden Sie ausschließlich unverbleiten Kfz-Ottokraftstoff mit mindestens 87 Oktan ((R+M)/2). Der Alkoholanteil darf maximal 10% (E-10) betragen.

Wichtige Punkte zum Kraftstoff

- Verwenden Sie keinesfalls ein Benzin-Motoröl-Gemisch. Anderenfalls treten übermäßige Kohleablagerungen oder mechanische Probleme auf.
- Die Verwendung von verdorbenem Öl verursacht Startschwierigkeiten.

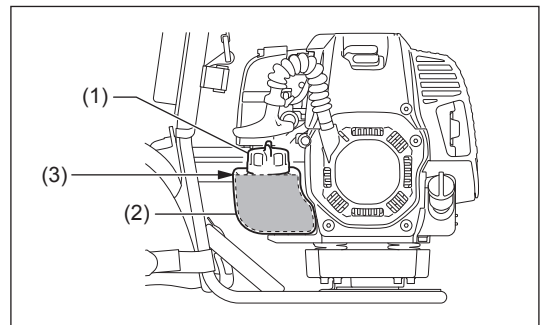
Auftanken

⚠ WARNUNG:

- **Schalten Sie den Motor vor dem Auftanken aus, halten Sie ihn von offenen Flammen fern, und rauchen Sie während des Auftankens nicht.**
- Lösen Sie den Tankdeckel (1) ein wenig, um den Tankdruck abzulassen.
- Nehmen Sie den Tankdeckel ab, und tanken Sie auf. Füllen Sie Kraftstoff NICHT über die Obergrenze (3) ein.
- Wischen Sie den Bereich um den Tankdeckel gründlich sauber, damit keine Fremdkörper in den Kraftstofftank gelangen.
- Ziehen Sie den Tankdeckel nach dem Auftanken sicher fest.

HINWEIS:

- Falls der Tankdeckel einen Defekt oder Beschädigung aufweist, ersetzen Sie ihn.
- Der Tankdeckel verschleißt im Laufe der Zeit. Tauschen Sie ihn alle zwei bis drei Jahre aus.
- Füllen Sie KEINEN Kraftstoff in den Öleinfüllstutzen ein.



RICHTIGE HANDHABUNG DER MASCHINE

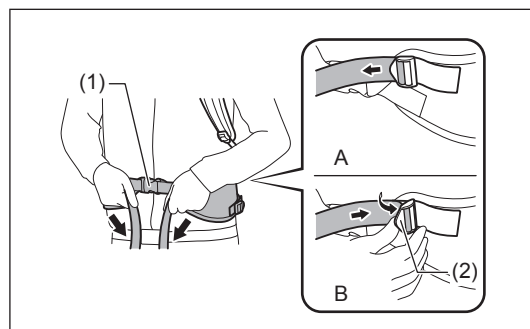
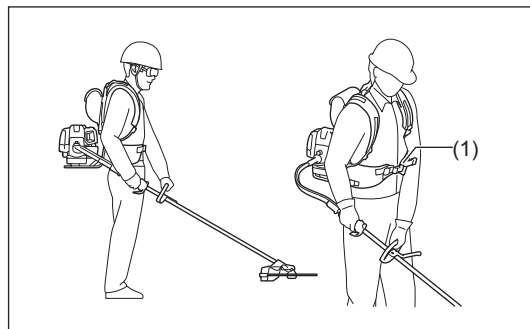
⚠ WARNUNG:

- Ein Verlust der vollkommenen Kontrolle über die Maschine kann zu schweren oder gar TÖDLICHEN Verletzungen führen.

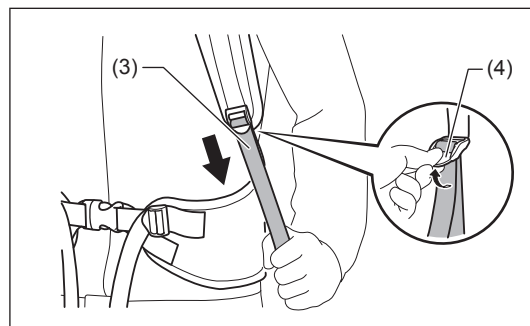
Anbringung des Tragegurts

Stellen Sie den Tragegurt so ein, dass Sie den Motor während der Arbeit bequem tragen können.

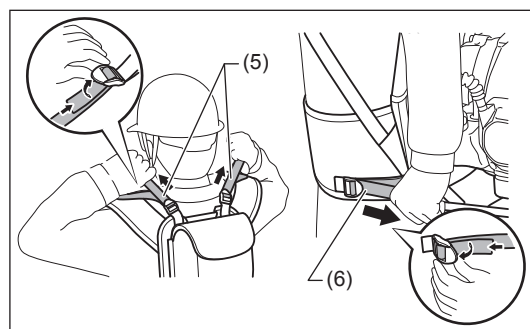
1. Legen Sie den Tragegurt um Ihren Rücken, und schließen Sie die Schnalle (1).
Zum Straffen des Hüftriemens das Ende des Riemens (A) ziehen.
Zum Lockern des Riemens das Ende der Schnalle (2) (B) nach oben ziehen.



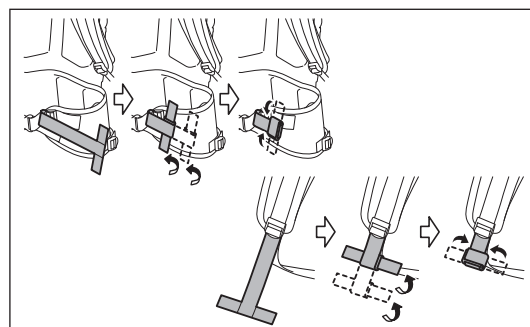
2. Stellen Sie den Schulterriemen (3) auf eine Länge ein, die bequemes Arbeiten ermöglicht.
Zum Straffen des Riemens das Riemenende ziehen.
Zum Lockern des Riemens das Ende der Schnalle (4) nach oben ziehen.



3. Stellen Sie den Stabilisierriemen an Schulter und Hüfte (5, 6) ein. Zum Straffen des Riemens das Riemenende ziehen. Zum Lockern des Riemens das Ende der Schnalle nach oben ziehen.

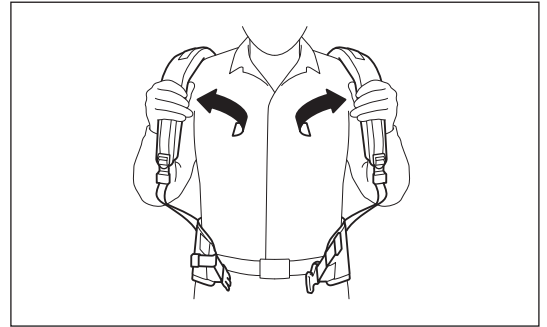
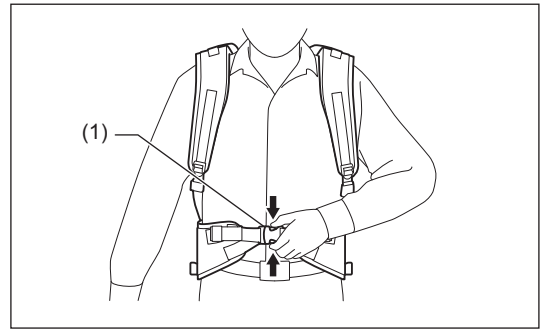


4. Rollen Sie die überschüssige Riemenlänge auf, und sichern Sie sie mit dem Klettband.



Ablegen der Maschine

- Um die Maschine abzulegen, drücken Sie die Seiten des Gurtschlösses (1) zusammen, und nehmen Sie den Tragegurt ab. Lassen Sie dabei äußerste Sorgfalt walten, um die Kontrolle über die Maschine zu behalten. Achten Sie darauf, dass die Maschine nicht zu Ihnen oder einer anderen Person im Arbeitsbereich abgelenkt wird.



STARTEN UND ABSTELLEN DES MOTORS

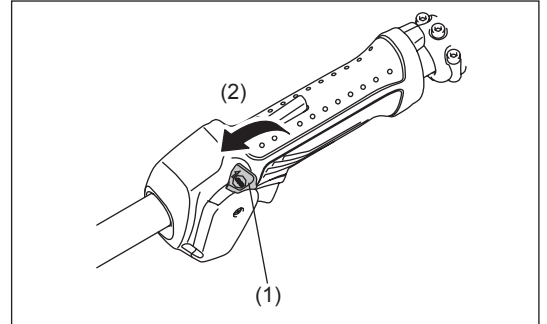
Beachten Sie die geltenden Bestimmungen zur Unfallverhinderung!

STARTEN

Entfernen Sie sich mindestens 3 m weit vom Platz des Auftankens. Legen Sie das Gerät auf den Boden, wobei Sie darauf achten, dass das Schneidwerkzeug nicht mit dem Boden oder anderen Gegenständen in Kontakt kommt.

A: Kaltstart

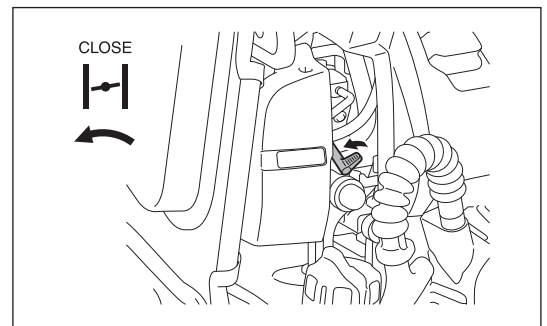
- 1) Legen Sie diese Maschine auf einer ebenen Fläche ab.
- 2) Stellen Sie den I-O-Schalter (1) auf BETRIEB (2).



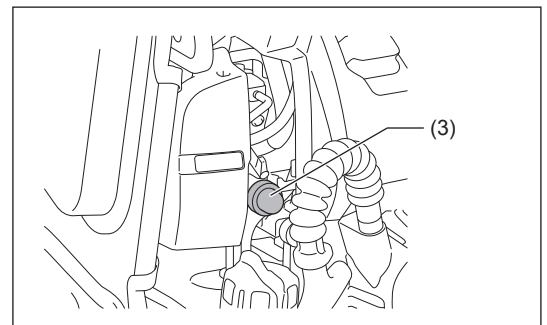
- 3) Chokehebel
Schließen Sie den Chokehebel.

Öffnen des Chokes:

- Bei niedrigen Temperaturen oder bei kaltem Motor ist der Choke völlig geschlossen.
- Wenn der Motor bereits etwas warm ist, z. B. nach einem Neustart des Motors unmittelbar nach dem Abstellen während des Warmlaufbetriebs, öffnen Sie den Choke zur Hälfte oder vollständig.



- 4) Anlasseinspritzpumpe
Drücken Sie die Anlasseinspritzpumpe (3) so lange, bis Kraftstoff in die Anlasseinspritzpumpe eintritt. (Normalerweise reichen 7 bis 10 Betätigungen.)
Falls die Anlasseinspritzpumpe zu oft betätigt wird, fließt überschüssiger Kraftstoff in den Kraftstofftank zurück.



5) Seilzugstarter

Achten Sie auf sicheren Stand.

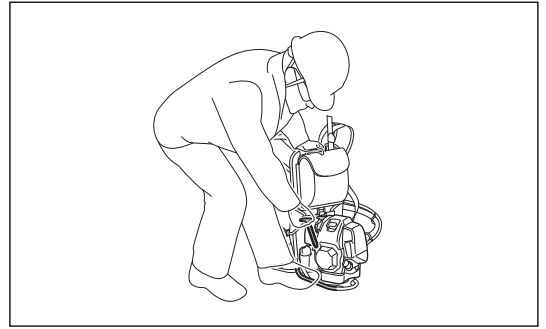
Halten Sie das Gerät mit der linken Hand, und drücken Sie es fest nach unten.

⚠ VORSICHT:

- Stellen oder knien Sie sich nicht auf den Gaszug. Anderenfalls könnte das Seil im Inneren gezogen werden, wodurch sich das Schneidwerkzeug unbeabsichtigt zu drehen beginnt. Geben Sie kein Gas.

Ziehen Sie leicht am Startergriff, bis Sie einen gewissen Widerstand spüren. Führen Sie anschließend den Startergriff zurück, und ziehen Sie ihn kräftig durch.

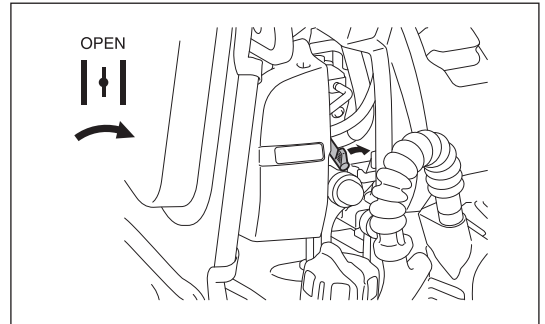
Ziehen Sie das Starterseil niemals vollständig heraus. Lassen Sie den gezogenen Startergriff niemals unvermittelt los. Halten Sie den Startergriff, bis er zum Ausgangspunkt zurückgekehrt ist.



6) Chokehebel

Stellen Sie den Chokehebel nach dem Starten des Motors auf die Stellung OFFEN.

- Öffnen Sie den Chokehebel allmählich, während Sie den Motorbetrieb überprüfen. Vergewissern Sie sich, dass Sie am Ende den Chokehebel vollständig geöffnet haben.
- Bei niedrigen Temperaturen oder abgekühltem Motor darf der Chokehebel keinesfalls plötzlich geöffnet werden. Anderenfalls kann der Motor stehen bleiben.



7) Warmlaufbetrieb

Setzen Sie den Warmlaufbetrieb für 2 bis 3 Minuten fort.

BEMERKUNG:

- **Betätigen Sie den Gashebel nicht unnötigerweise, wenn der Motor nicht läuft.** Anderenfalls könnte Kraftstoff aus dem Luftfilter austreten. Wischen Sie in einem solchen Fall den ausgelaufenen Kraftstoff ab. Öffnen Sie außerdem die Luftfilterabdeckung, und reinigen Sie das Element und die Luftfilterplatte.

HINWEIS:

- Betätigen Sie den Gashebel nicht unnötigerweise, wenn der Motor nicht läuft. Anderenfalls könnte zu viel Kraftstoff in den Motor gelangen, was zu Startschwierigkeiten führen kann.
- Falls zu viel Kraftstoff in den Motor gelangt ist („Absaufen“), schrauben Sie die Zündkerze heraus, und ziehen Sie den Startergriff langsam, um überschüssigen Kraftstoff aus dem Motor herauszubefördern. Trocknen Sie außerdem die Elektroden der Zündkerze.
- Wenn der Motor anspringt und ausgeht, oder kurz nach dem Starten wieder stehen bleibt, stellen Sie den Chokehebel auf die Stellung OFFEN zurück, und starten Sie den Motor, indem Sie den Startergriff erneut mehrmals ziehen.
- Wird lediglich der Startergriff wiederholt gezogen, während der Chokehebel in der Stellung GESCHLOSSEN belassen wird, saugt der Motor zu viel Kraftstoff an, was zu Startschwierigkeiten führt.
- Drehen Sie den Motor während des Warmlaufbetriebs nicht unnötigerweise hoch.

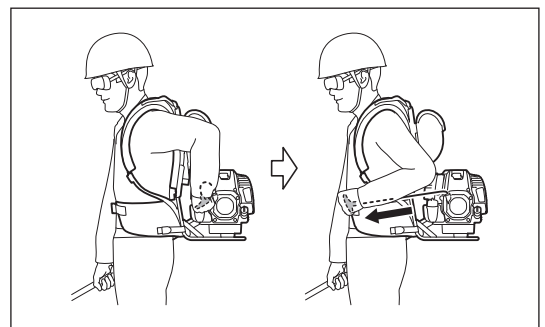
B: Warmstart

- 1) Lassen Sie den Chokehebel vollständig geöffnet.
- 2) Drücken Sie die Anlasseinspritzpumpe mehrmals.
- 3) Halten Sie den Gashebel in der Leerlaufstellung.
- 4) Ziehen Sie den Startergriff kräftig durch.

Sie können den Motor auch neu starten, während Sie das Gerät auf Ihrem Rücken tragen.

⚠ VORSICHT:

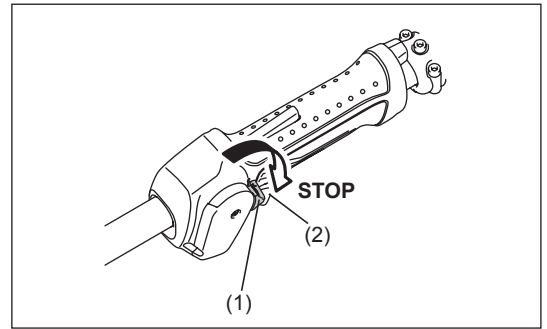
- Vergewissern Sie sich, dass das Schneidwerkzeug beim Neustart keinen Kontakt hat.
- Ziehen Sie nicht den Gashebel während des Neustarts. Anderenfalls beginnt das Schneidwerkzeug sich zu drehen.



Halten Sie den Handgriff mit Ihrer rechten Hand, und ziehen Sie den Startergriff kräftig durch.

ABSTELLEN

- 1) Lassen Sie den Gashebel (2) vollkommen los, und stellen Sie den I-O-Schalter (1) auf STOP, nachdem sich die Motordrehzahl verringert hat, so dass der Motor stehen bleibt.
- 2) Das Schneidwerkzeug dreht sich nach dem Abstellen des Motors noch eine Zeitlang weiter. Warten Sie, bis es zum völligen Stillstand gekommen ist.

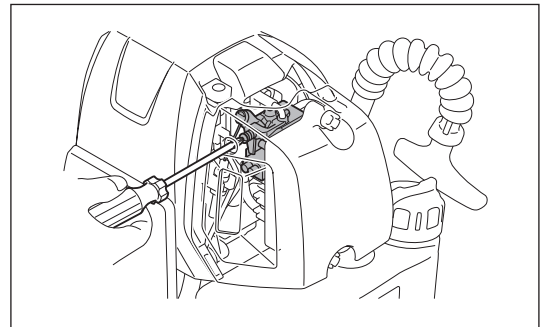


EINSTELLEN DER LEERLAUFDREHZAHL

Sollte eine Einstellung der Leerlaufdrehzahl notwendig sein, nehmen Sie die Einstellung mit der Vergaser-Einstellschraube vor.

ÜBERPRÜFEN DER LEERLAUFDREHZAHL

- Stellen Sie die Leerlaufdrehzahl auf 3.000 min^{-1} ein.
Sollte eine Änderung der Leerlaufdrehzahl notwendig sein, drehen Sie die rechts abgebildete Schraube mit einem Kreuzschlitz-Schraubendreher.
- Um die Leerlaufdrehzahl zu erhöhen, drehen Sie die Einstellschraube im Uhrzeigersinn.
Um die Leerlaufdrehzahl zu verringern, drehen Sie die Einstellschraube entgegen dem Uhrzeigersinn.
- Der Vergaser wurde werksseitig eingestellt. Nach mehreren Benutzungen muss jedoch die Leerlaufdrehzahl nachgestellt werden.



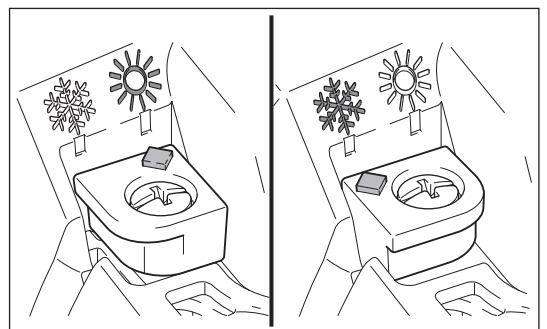
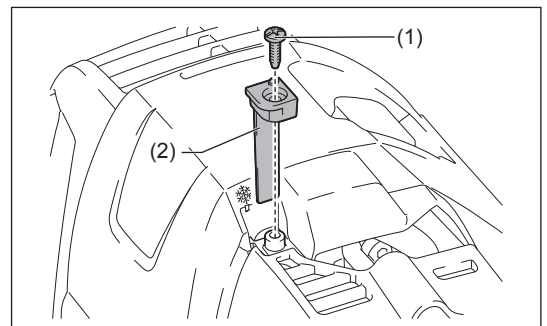
VERMEIDEN VON VERGASERVEREISUNG

⚠ VORSICHT:

- Stellen Sie den Verschluss bei Umgebungstemperaturen über 10°C immer auf die Normalstellung (Sonnensymbol) zurück. Anderenfalls kann der Motor durch Überhitzung beschädigt werden.

Wenn die Umgebungstemperatur niedrig und die Luftfeuchtigkeit hoch ist, kann Wasserdampf im Vergaser gefrieren, so dass der Motor unruhig läuft (Vergaservereisung). Ändern Sie die Verschlusseinstellung bei Bedarf wie folgt:

1. Entfernen Sie die Schraube (1).
2. Ändern Sie die Richtung des Verschlusses (2) wie folgt:
 - Umgebungstemperatur ist höher als 10°C : Stellen Sie den Verschluss auf die Normalstellung (Sonnensymbol).
 - Umgebungstemperatur ist 10°C oder niedriger: Stellen Sie den Verschluss auf die Eisverhütungsstellung (Schneesymbol).
3. Ziehen Sie die Schraube wieder an.



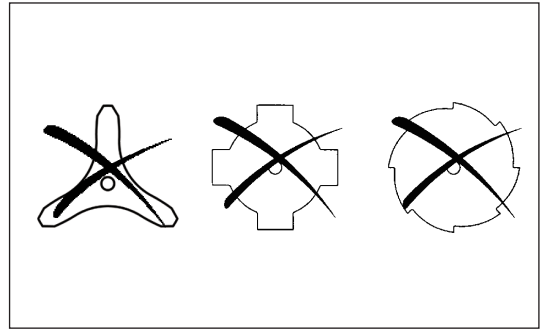
NACHSCHÄRFEN DES SCHNEIDWERKZEUGS

⚠ VORSICHT:

- Die in der Abbildung dargestellten Schneidwerkzeuge dürfen nicht geschärft werden. Manuelles Nachschärfen führt zu Unwuchten des Schneidwerkzeugs, wodurch Vibrationen und Beschädigung des Geräts verursacht werden.

HINWEIS:

- Das Schneidblatt kann zur Verlängerung seiner Nutzungsdauer einmal umgedreht werden, damit die Schneidzahnkanten auf beiden Seiten abgenutzt werden.



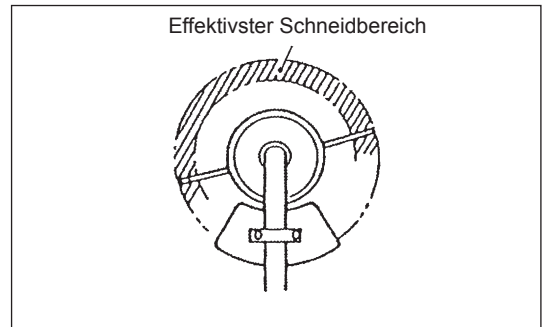
NYLONFADENKOPF

Der Nylonfadenkopf ist ein zweiseitiger Trimmerkopf mit einem Mechanismus zum Nachführen des Schneidfadens durch leichtes Aufstoßen des Schneidkopfs auf den Boden (Bump & Feed).

Der Nylonfadenkopf schiebt den Nylonfaden vor, nachdem der Trimmerkopf auf den Boden aufgestoßen wird.

Betrieb

- Erhöhen Sie die Drehzahl des Nylonfadenkopfs auf ca. 6.000 min⁻¹. Stoßen Sie den Nylonfadenkopf leicht auf den Boden auf.
- Der effektivste Schnittbereich ist schraffiert dargestellt.
- Falls der Nylonfaden nicht vorgeschoben wird, wickeln Sie ihn auf oder tauschen Sie ihn nach dem unter „Ersetzen des Nylonfadens“ beschriebenen Verfahren aus.

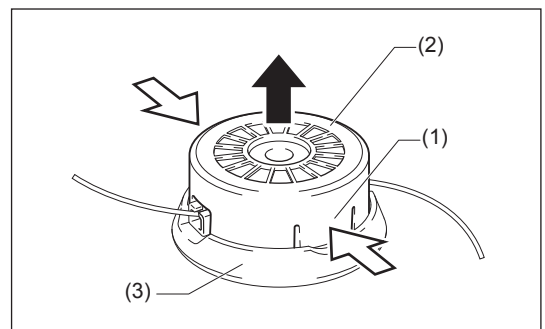


Ersetzen des Nylonfadens (BUMP & FEED)

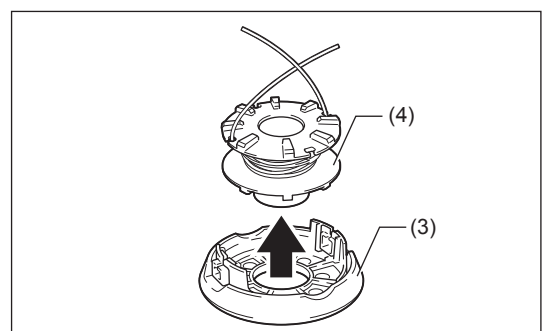
⚠ WARNUNG:

- Vergewissern Sie sich, dass die Abdeckung des Nylonfadenkopfs ordnungsgemäß am Gehäuse gesichert ist (siehe folgende Beschreibung). Bei unsachgemäß gesicherter Abdeckung kann der Nylonfadenkopf auseinanderfliegen und schwere Verletzungen verursachen.

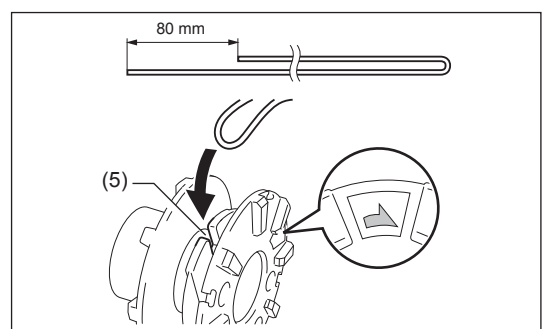
- Drücken Sie die Klinken (1) am Gehäuse (2) nach innen, und heben Sie die Abdeckung (3) nach oben ab.



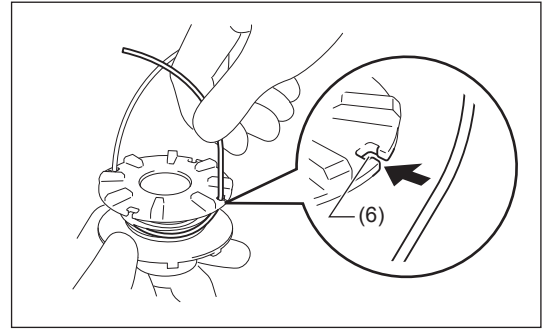
- Lösen Sie den Nylonfaden von der Öse. Und entfernen Sie die Spule (4) von der Abdeckung. Werfen Sie noch vorhandene Nylonfadenreste weg.



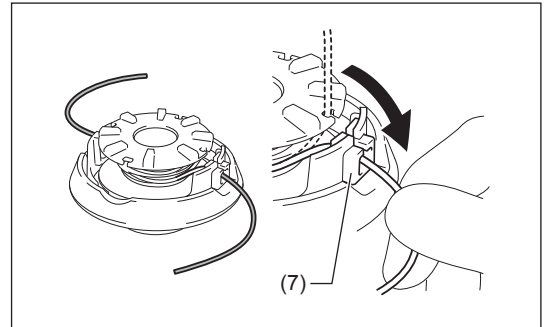
- Hängen Sie die Mitte des neuen Nylonfadens in die Einkerbung (5) in der Mitte der Spule zwischen den 2 Kanälen ein. Eine Seite des Fadens muss ca. 80 mm länger als die andere Seite sein. Wickeln Sie beide Enden in Richtung der Pfeilmarke an der Spule fest auf die Spule.



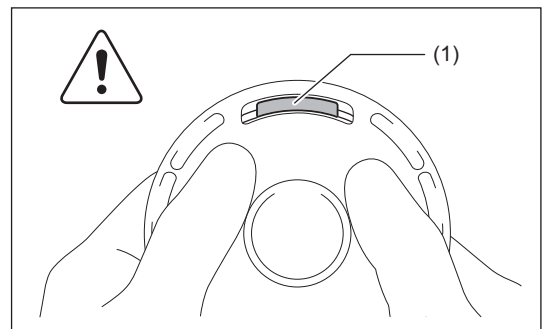
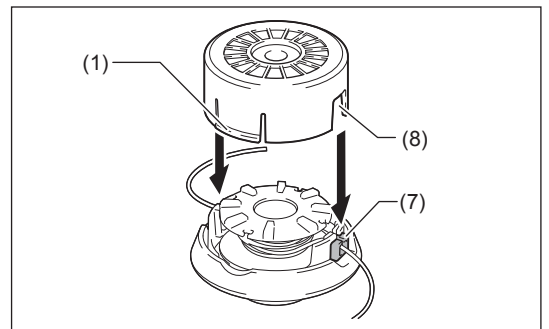
4. Wickeln Sie die Fadenenden bis auf eine Länge von etwa 100 mm auf, wobei Sie die Enden vorübergehend in den Einkerbungen (6) eingehängt lassen.



5. Setzen Sie die Spule so in die Abdeckung ein, dass die Haltekerben auf die Ösen (7) ausgerichtet sind. Lösen Sie die Fadenenden aus ihrer provisorischen Position, und führen Sie sie durch die Ösen.



6. Richten Sie die Vierkantschlitz (8) im Gehäuse auf die Ösen (7) aus. Drücken Sie dann das Gehäuse zur Sicherung fest auf die Abdeckung. Vergewissern Sie sich, dass die Klinken (1) in der Abdeckung vollständig gespreizt sind.



WARTUNGSANWEISUNGEN

⚠ VORSICHT:

- Stellen Sie immer den Motor ab, bevor Sie irgendwelche Arbeiten am Gerät durchführen, und ziehen Sie den Zündkerzenstecker von der Zündkerze ab (siehe „Überprüfen der Zündkerze“).
Tragen Sie immer Schutzhandschuhe!

Um eine lange Nutzungsdauer zu gewährleisten und mögliche Beschädigung des Geräts zu vermeiden, sollten die folgenden Wartungsarbeiten in regelmäßigen Abständen durchgeführt werden.

Tägliche Kontrollen und Wartungsarbeiten

- Überprüfen Sie die Maschine vor jedem Betrieb auf lockere Schrauben oder fehlende Teile. Achten Sie besonders auf festen Sitz des Metallblatts oder des Nylonfadenkopfs.
- Überprüfen Sie vor jedem Betrieb, ob die Kühlluftdurchlässe und die Zylinderlamellen zugesetzt sind.
Reinigen Sie diese gegebenenfalls.
- Führen Sie die folgenden Wartungsarbeiten täglich nach dem Gebrauch durch:
 - Reinigen Sie das Gerät äußerlich, und überprüfen Sie es auf Beschädigung.
 - Reinigen Sie den Luftfilter. Wenn Sie unter sehr staubigen Bedingungen arbeiten, reinigen Sie den Filter mehrmals am Tag.
 - Überprüfen Sie das Schneidblatt bzw. den Nylonfadenkopf auf Beschädigung und feste Montage.
 - Prüfen Sie, ob der Unterschied zwischen Leerlauf- und Betriebsdrehzahl ausreichend ist, damit das Schneidwerkzeug bei Leerlauf des Motors im Stillstand ist (bei Bedarf die Leerlaufdrehzahl verringern).
Falls sich das Werkzeug während des Leerlaufs weiter dreht, wenden Sie sich an die nächste Vertragswerkstatt.
- Überprüfen Sie I-O-Schalter, Einschaltsperrhebel und Gashebel auf ordnungsgemäßes Funktionieren.

WECHSELN DES MOTORÖLS

Überaltertes Motoröl verkürzt die Lebensdauer des Motors. Überprüfen Sie das Öl und den Ölstand regelmäßig.



WARNUNG: Motor und Motoröl sind unmittelbar nach dem Abstellen des Motors noch heiß. Warten Sie ausreichend lange, bis sich Motor und Motoröl abgekühlt haben. Anderenfalls kann es zu Hautverbrennungen kommen.

HINWEIS:

- Falls zu viel Öl eingefüllt wird, kann das Öl verschmutzt werden oder mit weißem Rauch verbrennen. Warten Sie nach dem Abstellen des Motors ausreichend lange, bis das Motoröl in den Öltank zurückgelaufen ist, damit der korrekte Ölstand abgelesen werden kann.

Wechselintervall: Nach den ersten 20 Betriebsstunden, anschließend nach jeweils 50 Betriebsstunden.

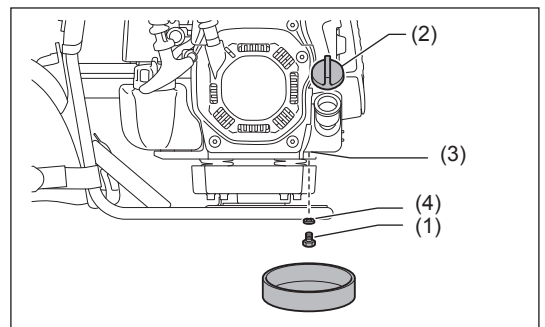
Empfohlenes Öl: Öl der API-Klassifikation SAE 10W-30, Klasse SF oder höher (4-Takt-Motoröl für Kfz)

Führen Sie den Ölwechsel nach dem folgenden Verfahren aus.

- 1) Stellen Sie sicher, dass der Kraftstofftankdeckel fest angezogen ist.
- 2) Stellen Sie einen Behälter ausreichender Größe (Auffangwanne usw.) unter die Ablassöffnung.
- 3) Drehen Sie die Ablassschraube (1) heraus, und nehmen Sie anschließend den Öldeckel (2) ab, um das Öl durch die Ablassöffnung (3) abzulassen.
Achten Sie dabei darauf, dass die Dichtung (4) der Ablassschraube nicht verloren geht, oder dass die ausgebauten Teile nicht verschmutzt werden.
- 4) Nachdem das Öl vollständig abgelassen worden ist, bringen Sie die Dichtung und die Ablassschraube wieder an, und ziehen Sie die Ablassschraube fest, damit sie sich nicht löst und Öllecks verursacht.

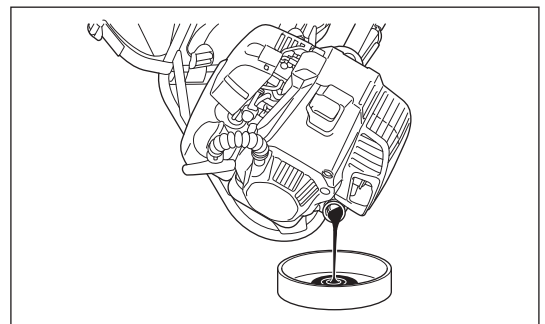
[Anzugsmoment: 5 N•m]

* Wischen Sie an der Schraube und am Gerät anhaftendes Öl mit einem Lappen vollständig ab.

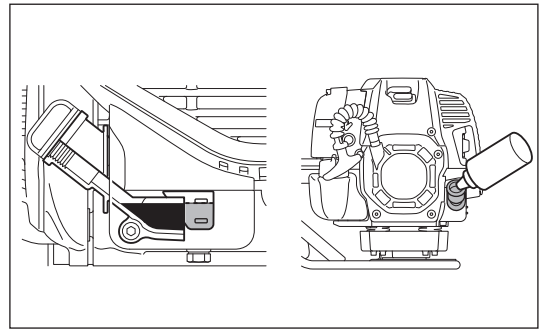


Alternative Ablassmethode

Nehmen Sie den Öldeckel ab, neigen Sie das Gerät in Richtung des Öleinfüllstutzens, und lassen Sie das Öl ab.
Sammeln Sie das Öl in einem Behälter.



- 5) Stellen Sie den Motor waagrecht ab, und füllen Sie Frischöl allmählich bis zur Markierung der Obergrenze ein.
- 6) Ziehen Sie nach dem Auffüllen den Öldeckel fest, damit er sich nicht löst und Öllecks verursacht.
Falls der Öldeckel nicht sicher festgezogen ist, kann Öl auslaufen.



WICHTIGE PUNKTE ZUM ÖL

- Schütten Sie Altöl niemals in den Müll, in den Boden oder in einen Abwassergraben. Die Altölersorgung ist gesetzlich geregelt. Befolgen Sie bei der Entsorgung stets die relevanten Gesetze und Vorschriften. Bei Unklarheiten kontaktieren Sie eine Vertragswerkstatt.
- Öl verschlechtert sich, auch wenn es unbenutzt bleibt. Führen Sie Inspektion und Ölwechsel in regelmäßigen Abständen durch (das Öl alle 6 Monate durch neues ersetzen).

REINIGEN DES LUFTFILTERS



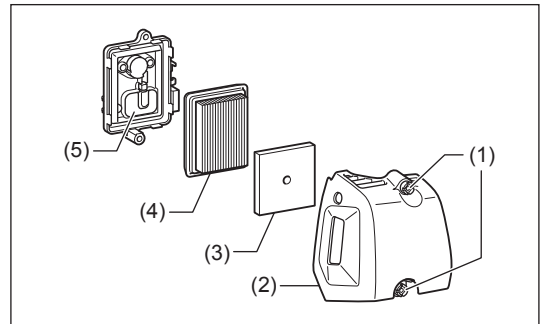
WARNUNG: Schalten Sie den Motor ab, halten Sie ihn von offenen Flammen fern und rauchen Sie nicht.

Intervall für Reinigung und Inspektion: Täglich (alle 10 Betriebsstunden)

- Drehen Sie den Chokehebel vollständig zu, und halten Sie den Vergaser von Staub und Schmutz fern.

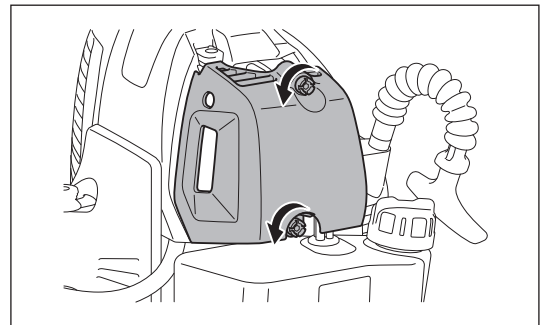
Entfernen der Luftfilterabdeckung

- Lösen Sie zwei Befestigungsschrauben (1).
- Ziehen Sie die Luftfilterabdeckung (2) ab.



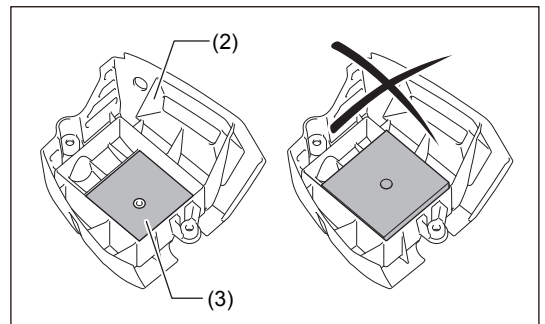
Reinigen des Luftfiltereinsatzes

- Entnehmen Sie die Filtereinsätze (3, 4), und klopfen Sie den Schmutz aus den Einsätzen.
- Bei starker Verschmutzung:
 - 1) Entfernen Sie den Einsatz (Schwamm) (3), tauchen Sie ihn in warmes Wasser oder in Wasser mit verdünntem neutralen Reinigungsmittel, und lassen Sie ihn vollständig trocknen. Vermeiden Sie Drücken und Reiben des Einsatzes beim Waschen.
 - 2) Reinigen Sie den Einsatz (Papier) (4), indem Sie ihn vorsichtig ausklopfen. Wenn Ihnen eine Druckluftpistole zur Verfügung steht, können Sie den Einsatz reinigen, indem Sie Druckluft auf die Innenseite des Einsatzes (Papier) blasen. Waschen Sie den Einsatz (Papier) nicht aus.
- Lassen Sie den Einsatz (Schwamm) vor dem Einsetzen vollständig trocknen. Bei unzureichender Trocknung des Filtereinsatzes (Schwamm) können Startschwierigkeiten auftreten.
- Wischen Sie anhaftendes Öl um die Luftfilterabdeckung und Trennplatte (5) mit einem Putzlappen ab.



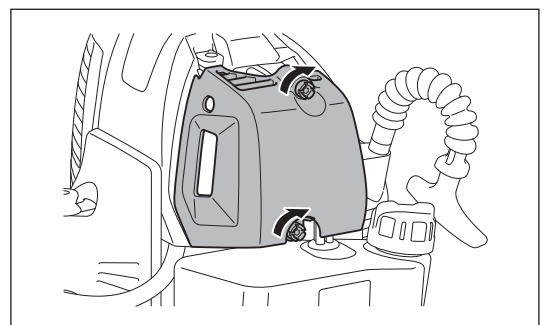
Anbringen der Luftfilterabdeckung

- Passen Sie den Einsatz (Schwamm) und den Einsatz (Papier) ein. Setzen Sie den Einsatz (Schwamm) bis zum Anschlag in die Luftfilterabdeckung ein.
- Sichern Sie die Luftfilterabdeckung mit zwei Befestigungsschrauben.



BEMERKUNG:

- Reinigen Sie die Filtereinsätze mehrere Male am Tag, falls übermäßig viel Staub anhaftet. Verschmutzte Filtereinsätze führen zum Absinken der Motorleistung und erschweren das Starten des Motors.
- Reinigen Sie die Filtereinsätze von Öl. Falls der Betrieb mit överschmutzten Filtereinsätzen fortgesetzt wird, kann Öl aus dem Luftfilter austreten und zu Umweltverschmutzung führen.
- Legen Sie die Einsätze nicht auf dem Boden oder an einem schmutzigen Ort ab. Sie könnten sonst Schmutz oder Fremdkörper aufnehmen, die einen Motorschaden verursachen können.
- Verwenden Sie niemals Kraftstoff zum Reinigen der Einsätze. Die Filtereinsätze können durch Kraftstoff beschädigt werden.

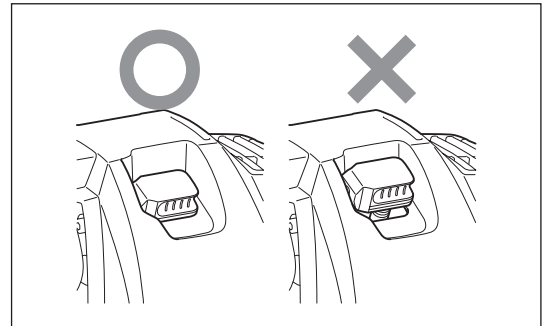
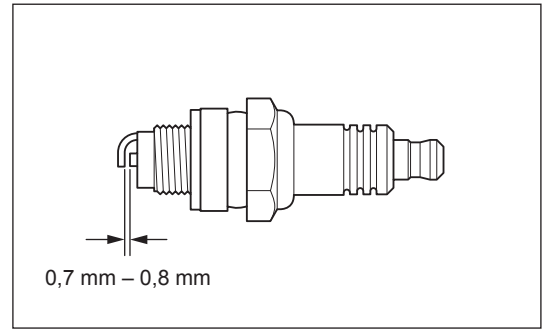


ÜBERPRÜFEN DER ZÜNDKERZE

- Verwenden Sie nur den mitgelieferten Universalschlüssel, um die Zündkerze aus- und einzubauen.
- Der Abstand zwischen den Elektroden der Zündkerze muss 0,7 – 0,8 mm betragen. Falls der Elektrodenabstand zu klein oder zu groß ist, korrigieren Sie ihn. Falls die Zündkerze zugesetzt oder verschmutzt ist, muss sie gründlich gereinigt oder ausgetauscht werden.
Bringen Sie nach der Überprüfung den Kerzenstecker wieder ordnungsgemäß an, wie abgebildet.

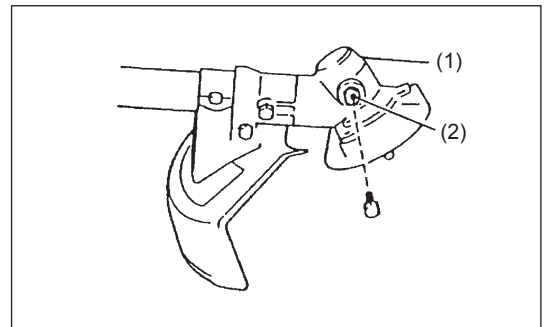
⚠ VORSICHT:

- Berühren Sie niemals den Zündkerzenstecker bei laufendem Motor (Gefahr eines Hochspannungs-Stromschlags).



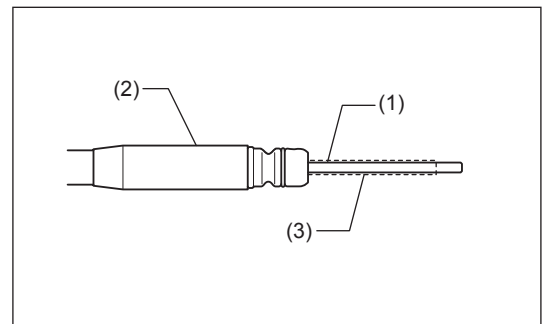
ABSCHMIEREN DES GETRIEBEGEHÄUSES

- Füllen Sie alle 25 Betriebsstunden Schmierfett (Shell Alvania 2 oder gleichwertiges) durch das Schmierloch (2) in das Getriebegehäuse (1) ein. (Original-DOLMAR-Schmierfett erhalten Sie bei Ihrem DOLMAR-Händler.)



ABSCHMIEREN DER BIEGEWELLE

1. Entfernen Sie die Biegewelle vom Kupplungsgehäuse und der geraden Welle. Um die Biegewelle vom Kupplungsgehäuse zu entfernen, ziehen Sie den Knopf hoch, und nehmen Sie die Welle ab. Um die Biegewelle von der geraden Welle zu entfernen, drehen Sie die Schraube heraus, und nehmen Sie die Welle ab.
2. Ziehen Sie die Innenwelle (1) aus dem flexiblen Mantel (2) heraus, und tragen Sie alle 25 Betriebsstunden Schmierfett (Shell Alvania 2 oder gleichwertiges) (3) auf die Innenwelle auf. (Original-DOLMAR-Schmierfett erhalten Sie bei Ihrem DOLMAR-Händler.)



BEMERKUNG:

- Die Biegewelle kann brechen, wenn kein Schmierfett aufgetragen wird.
- Um die Lebensdauer der Teile zu verlängern, schließen Sie die Enden der Biegewelle auf der jeweils entgegengesetzten Seite an, d. h. die frühere Motorseite auf der Steuerhebelseite.

REINIGEN DES KRAFTSTOFFFILTERS

WARNUNG: ZÜNDSTOFFE STRENG VERBOTEN

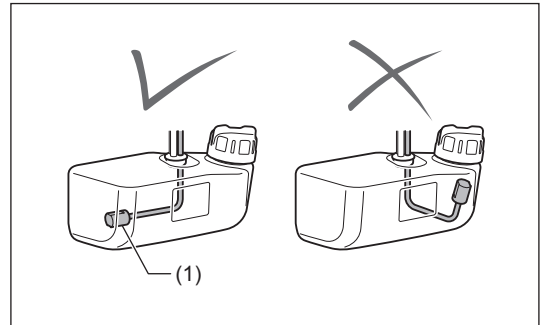
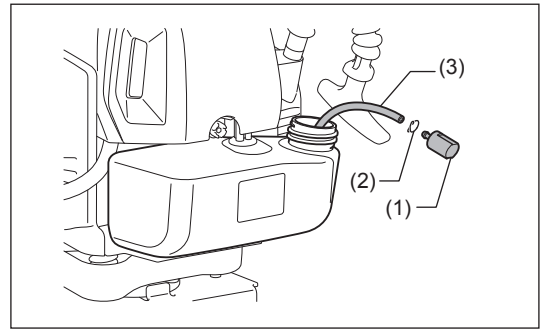
Reinigungs- und Überprüfungsintervall: Monatlich (alle 50 Betriebsstunden)

Saugkopf im Kraftstofftank

Überprüfen Sie den Kraftstofffilter (1) regelmäßig. Gehen Sie zum Überprüfen des Kraftstofffilters folgendermaßen vor.

1. Entfernen Sie den Kraftstofftankdeckel, und lassen Sie den Kraftstoff ab, um den Tank zu leeren. Überprüfen Sie die Innenseite des Tanks auf etwaige Fremdkörper. Falls Fremdkörper vorhanden sind, entfernen Sie diese.
2. Ziehen Sie den Saugkopf heraus, indem Sie einen Drahthaken durch die Tanköffnung einführen.
3. Falls der Kraftstofffilter leicht zugesetzt ist, reinigen Sie ihn. Um den Filter zu reinigen, schütteln und klopfen Sie ihn in Kraftstoff sachte aus. Um Beschädigung zu vermeiden, drücken oder reiben Sie ihn nicht. Der für die Reinigung verwendete Kraftstoff muss gemäß der in Ihrem Land vorgeschriebenen Methode entsorgt werden. Falls der Filter verhärtet oder stark zugesetzt ist, tauschen Sie ihn aus.
4. Führen Sie den Kraftstofffilter nach Überprüfung, Reinigung oder Austausch in die Kraftstoffleitung (3) ein, und sichern Sie ihn mit der Schlauchklemme (2). Drücken Sie den Kraftstofffilter ganz bis auf den Boden des Kraftstofftanks hinein.

Ein zugesetzter oder beschädigter Kraftstofffilter kann unzureichende Kraftstoffzufuhr und verminderte Motorleistung verursachen. Tauschen Sie den Kraftstofffilter mindestens alle drei Monate aus, damit eine ausreichende Kraftstoffzufuhr zum Vergaser sichergestellt ist.



AUSTAUSCHEN DER KRAFTSTOFFLEITUNG

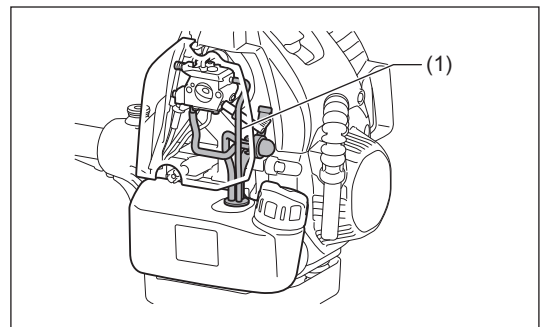
VORSICHT: ZÜNDSTOFFE STRENG VERBOTEN

Reinigungs- und Überprüfungsintervall: Täglich (alle 10 Betriebsstunden)

Austausch: Jährlich (alle 200 Betriebsstunden)

Tauschen Sie die Kraftstoffleitung (1), ungeachtet der Betriebsdauer, jedes Jahr aus. Kraftstofflecks können zu einem Brand führen.

Falls Sie während der Inspektion ein Leck entdecken, tauschen Sie die Kraftstoffleitung sofort aus.



INSPEKTION VON SCHRAUBEN UND MUTTERN

- Ziehen Sie lose Schrauben, Muttern usw. wieder fest.
- Überprüfen Sie Tankdeckel und Öldeckel auf festen Sitz. Auf Kraftstoff- und Öllecks überprüfen.
- Ersetzen Sie beschädigte Teile durch neue, damit sicherer Betrieb gewährleistet ist.

REINIGEN VON TEILEN

- Halten Sie den Motor stets sauber, indem Sie ihn mit einem Putzlappen abwischen.
- Halten Sie die Zylinderlamellen von Staub oder Schmutz frei. An den Lamellen anhaftender Staub und Schmutz kann zu einem Kolbenfresser führen.

AUSTAUSCHEN VON DICHTUNGEN

Ersetzen Sie Dichtungen, wenn der Motor zerlegt wird.

Alle Wartungsarbeiten oder Einstellungen, die nicht in diesem Handbuch enthalten und beschrieben sind, dürfen nur von einer Vertragswerkstatt durchgeführt werden.

LAGERUNG

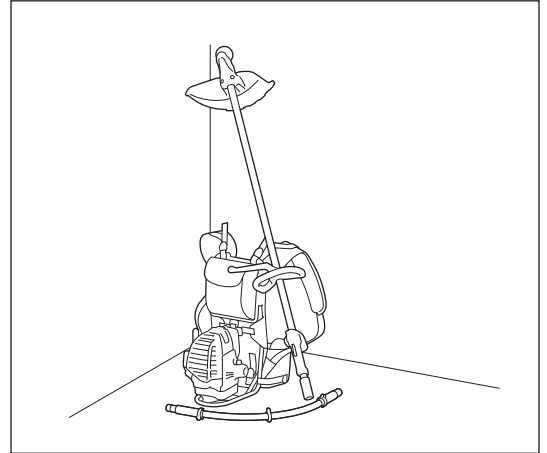


WARNUNG: Der Motor ist kurz nach dem Abstellen noch heiß. Warten Sie nach dem Abstellen des Motors ausreichend lange, bis der Motor abgekühlt ist, bevor Sie den Kraftstoff ablassen. Anderenfalls kann es zu Hautverbrennungen und/oder einem Brand kommen.



GEFAHR: Soll die Maschine längere Zeit außer Betrieb genommen werden, lassen Sie den gesamten Kraftstoff aus Kraftstofftank und Vergaser ab, und lagern Sie die Maschine an einem trockenen und sauberen Ort.

- Gehen Sie zum Ablassen des Kraftstoffs aus Kraftstofftank und Vergaser wie folgt vor:
 - 1) Entfernen Sie den Kraftstofftankdeckel, und lassen Sie den Kraftstoff vollständig ab.
Entfernen Sie ggf. im Kraftstofftank zurückbleibende Fremdkörper.
 - 2) Ziehen Sie den Kraftstofffilter mit einem Draht aus der Nachfüllöffnung heraus.
 - 3) Drücken Sie die Anlasseinspritzpumpe, bis Kraftstoff von ihr ausläuft, und lassen Sie den in den Kraftstofftank fließenden Kraftstoff ab.
 - 4) Setzen Sie den Filter wieder in den Kraftstofftank ein, und ziehen Sie den Kraftstofftankdeckel sicher fest.
 - 5) Lassen Sie dann den Motor laufen, bis er stehen bleibt.
- Schrauben Sie die Zündkerze heraus, und geben Sie einige Tropfen Motoröl in die Zündkerzenöffnung.
- Ziehen Sie anschließend den Startergriff sachte, so dass das Motoröl über den Motor verteilt wird, und schrauben Sie dann die Zündkerze wieder ein.
- Bringen Sie die Abdeckung am Metallblatt an.
- Lagern Sie die Maschine im Allgemeinen, wie abgebildet. Achten Sie insbesondere darauf, die Maschine so zu lagern, dass die gerade Welle nicht herunterfallen kann. Anderenfalls kann es zu Personenschaden kommen.
- Lagern Sie den abgelassenen Kraftstoff in einem Spezialbehälter an einem gut belüfteten und schattigen Ort.



Maßnahmen nach längerer Lagerung

- Nehmen Sie nach einer längeren Stillsetzung vor dem Starten des Motors unbedingt einen Ölwechsel vor (siehe S. 79). Öl zersetzt sich, während die Maschine außer Betrieb gehalten wird.

Betriebsdauer Gegenstand		Vor dem Betrieb	Nach dem Auftanken	Taglich (10 Std.)	25 Std.	50 Std.	200 Std.	Vor der Lagerung	Siehe Seite
Motorol	Inspizieren	○							70
	Wechseln					○*1			79
Festziehen von Teilen (Schraube, Mutter)	Inspizieren	○							82
Kraftstofftank	Reinigen / Inspizieren	○							—
	Kraftstoff ablassen							○*3	83
Gashebel	Funktion uberprufen		○						—
Stoppschalter	Funktion uberprufen		○						79
Schneidwerkzeug	Inspizieren	○		○					69
Leerlaufdrehzahl	Inspizieren / Einstellen			○					76
Luftfilter	Reinigen			○					80
Zundkerze	Inspizieren			○					81
Kuhlluftdurchlass und Zylinderlamellen	Reinigen / Inspizieren			○					82
Kraftstoffleitung	Inspizieren			○					82
	Wechseln						⊙*2		82
Antriebsgehause- Schmierfett	Nachfullen				○				81
Biegevelle	Abschmieren / Einbaurichtung andern				○				81
Kraftstofffilter	Reinigen / Ersetzen					○			82
Ventilspiel (Einlass- und Auslassventil)	Inspizieren / Einstellen						⊙*2		—
Vergaser	Kraftstoff ablassen							○*3	83

*1 Ersten Wechsel nach 20 Betriebsstunden durchfuhren.

*2 Fur die Inspektion nach 200 Betriebsstunden eine Vertragswerkstatt oder einen Mechaniker beauftragen.

*3 Den Motor nach dem Leeren des Kraftstofftanks weiter laufen lassen, und den Kraftstoff im Vergaser ablassen.

FEHLERSUCHE

Überprüfen Sie ein Problem selbst, bevor Sie eine Reparatur in Auftrag geben. Falls Sie eine Unregelmäßigkeit feststellen, kontrollieren Sie Ihre Maschine anhand der Beschreibung in diesem Handbuch. Nehmen Sie keine eigenmächtige Änderung oder Demontage an irgendwelchen Teilen entgegen der Beschreibung in diesem Handbuch vor. Wenden Sie sich für Reparaturen an eine Vertragswerkstatt oder einen örtlichen Händler.

Zustand der Unregelmäßigkeit	Mögliche Ursache (Fehlfunktion)	Abhilfe
Der Motor springt nicht an.	Der I-O-Schalter steht auf STOP.	Den I-O-Schalter auf BETRIEB stellen.
	Anlasseinspritzpumpe nicht betätigt.	7- bis 10-mal drücken.
	Starterseil wird zu langsam gezogen.	Kräftig ziehen.
	Kraftstoffmangel.	Kraftstoff zuführen.
	Zugesetzter Kraftstofffilter.	Reinigen.
	Verbogene Kraftstoffleitung.	Kraftstoffleitung gerade richten.
	Überalterter Kraftstoff.	Überalterter Kraftstoff erschwert das Anlassen. Kraftstoff durch neuen ersetzen. (Empfohlenes Austauschintervall: 1 Monat)
	Übermäßige Kraftstoffansaugung.	Den Gashebel von mittlerer auf hohe Drehzahl einstellen, und den Startergriff ziehen, bis der Motor anspringt. Sobald der Motor startet, beginnt das Schneidwerkzeug sich zu drehen. Schenken Sie dem Schneidwerkzeug volle Aufmerksamkeit. Falls der Motor noch immer nicht startet, schrauben Sie die Zündkerze heraus, trocknen Sie die Elektrode, und schrauben Sie die Zündkerze wieder ein. Dann vorschriftsmäßig starten.
	Zündkerzenstecker gelöst.	Einwandfrei anbringen.
	Verschmutzte Zündkerze.	Reinigen.
	Anormaler Elektrodenabstand.	Elektrodenabstand einstellen.
	Andere Unregelmäßigkeit der Zündkerze.	Austauschen.
	Anormaler Vergaser.	Inspektion und Wartung anfordern.
Starterseil lässt sich nicht ziehen.	Inspektion und Wartung anfordern.	
Anormales Antriebssystem.	Inspektion und Wartung anfordern.	
Der Motor bleibt sofort wieder stehen. Die Motordrehzahl nimmt nicht zu.	Unzureichender Warmlauf.	Warmlaufbetrieb durchführen.
	Der Chokehebel wird auf „GESCHLOSSEN“ gestellt, obwohl der Motor warmgelaufen ist.	Auf „OFFEN“ stellen.
	Zugesetzter Kraftstofffilter.	Reinigen.
	Verschmutzter oder zugesetzter Luftfilter.	Reinigen.
	Anormaler Vergaser.	Inspektion und Wartung anfordern.
	Anormales Antriebssystem.	Inspektion und Wartung anfordern.
Metallblatt dreht sich nicht. ↓ Motor sofort abstellen.	Befestigungsmutter des Metallblatts gelöst.	Einwandfrei festziehen.
	Zweige haben sich im Metallblatt oder in der Schutzabdeckung verfangen.	Fremdkörper entfernen.
	Anormales Antriebssystem.	Inspektion und Wartung anfordern.
Haupteinheit vibriert ungewöhnlich stark. ↓ Motor sofort abstellen.	Gebrochenes, verbogenes oder abgenutztes Metallblatt.	Metallblatt austauschen.
	Metallblatt-Befestigungsmutter gelöst.	Einwandfrei festziehen.
	Konvexer Teil des Metallblatts und Metallblattträger verschoben.	Einwandfrei anbringen.
	Anormales Antriebssystem.	Inspektion und Wartung anfordern.
Metallblatt stoppt nicht sofort. ↓ Motor sofort abstellen.	Zu hohe Leerlaufdrehzahl.	Einstellen.
	Gelöster Gaszug.	Einwandfrei anbringen.
	Anormales Antriebssystem.	Inspektion und Wartung anfordern.
Der Motor bleibt nicht stehen. ↓ Den Motor im Leerlauf betreiben, und den Chokehebel auf „GESCHLOSSEN“ stellen.	Abgetrennter Steckverbinder.	Einwandfrei anbringen.
	Anormales Elektriksystem.	Inspektion und Wartung anfordern.

Vi ringraziamo sentitamente per l'acquisto di questo utensile elettrico per esterni DOLMAR. Siamo lieti di poter raccomandare questo prodotto DOLMAR, che è il risultato di un lungo programma di sviluppo e di molti anni di conoscenza e di esperienza.

Leggere questo manuale, che descrive dettagliatamente le sue varie caratteristiche e dimostra le sue eccezionali prestazioni. Ciò permette di ottenere i risultati migliori possibili da questo prodotto DOLMAR.



Sommario

Pagina

Simboli.....	86
Istruzioni per la sicurezza	87
Dati tecnici	91
Designazione delle parti	92
Montaggio dell'impugnatura ad anello.....	93
Montaggio dell'albero flessibile.....	94
Montaggio della protezione	95
Montaggio della lama in metallo o della testina da taglio in nylon.....	97
Prima dell'avviamento	98
Utilizzo corretto dell'utensile	100
Modo di avviare e di arrestare il motore	102
Affilatura dell'attrezzo da taglio.....	105
Istruzioni per la manutenzione.....	107
Magazzinaggio	111
Risoluzione dei problemi	113

SIMBOLI

Nelle presenti istruzioni per l'uso vengono utilizzati i seguenti simboli.

	Leggere il manuale di istruzioni e attenersi alle avvertenze e alle precauzioni di sicurezza		Allontanare persone e animali dall'area di lavoro
	Prestare particolare cura e attenzione		Indossare il casco di protezione e i dispositivi di protezione per occhi e orecchie
	Vietato		Velocità massima dell'utensile consentita
	Mantenere la distanza di sicurezza		Carburante (benzina)
	Pericolo di oggetti volanti		Avviamento manuale del motore
	Contraccolpo		Arresto di emergenza
	Vietato fumare		Pronto soccorso
	Vietato usare fiamme libere		ON/AVVIAMENTO
	Indossare guanti di protezione		OFF/ARRESTO
	Indossare calzature pesanti con suola antiscivolo. Si consigliano scarpe di sicurezza con punta rinforzata		

ISTRUZIONI PER LA SICUREZZA

Istruzioni generali

- Leggere questo manuale di istruzioni per familiarizzarsi con il maneggiamento di questo utensile. Gli utenti che non sono informati sufficientemente costituiscono un pericolo per se stessi e per gli altri, a causa del maneggiamento sbagliato.
- Si consiglia di concedere in prestito l'utensile solo a persone con provata esperienza.
Consegnare sempre anche il manuale di istruzioni.
- Gli utilizzatori alle prime armi sono tenuti a richiedere le istruzioni di base al rivenditore per familiarizzarsi con l'uso di un decespugliatore.
- Questo utensile non deve essere usato dai bambini e dai giovani di meno di 18 anni. I giovani di oltre 16 anni possono però usare questo utensile a scopo di addestramento sotto la supervisione di un istruttore qualificato.
- Usare con la massima cura e attenzione.
- Usare soltanto in buone condizioni fisiche. Eseguire il lavoro con calma e attenzione. L'utente deve assumersi la responsabilità per gli altri.
- Non utilizzare il decespugliatore dopo l'assunzione di alcol o droghe oppure se ci si sente stanchi o indisposti.
- L'uso dell'utensile può essere sottoposto a restrizioni dalla regolamentazione nazionale.

Uso previsto dell'utensile

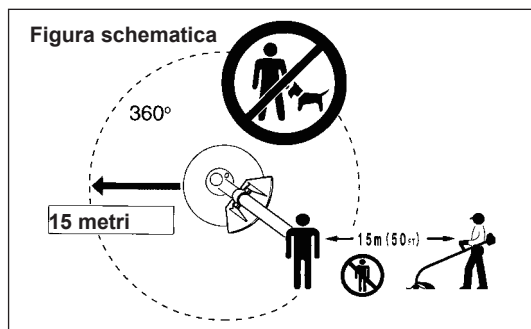
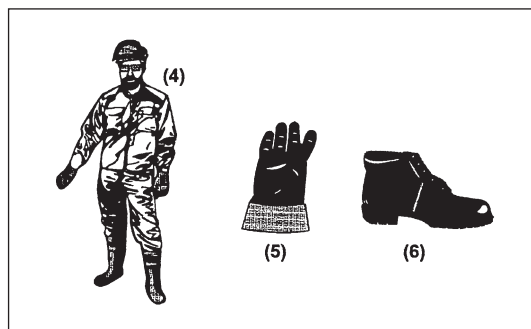
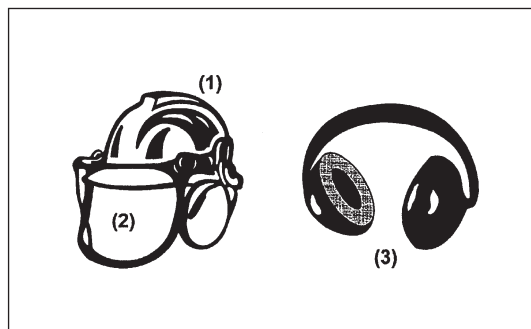
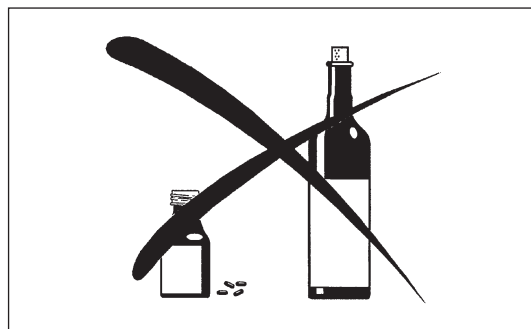
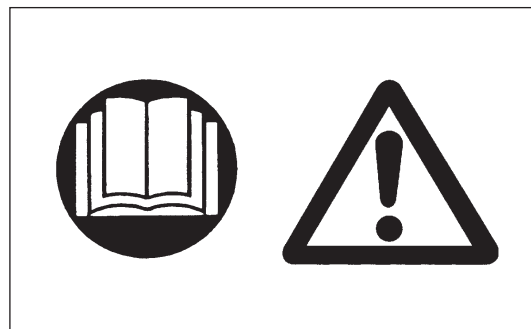
- Questo utensile è progettato soltanto per il taglio dell'erba, erbacce, siepi e arbusti. Esso non deve essere usato per un qualsiasi altro scopo, come la bordatura o la potatura di siepi, perché altrimenti c'è pericolo di incidenti.

Dispositivi di protezione personale

- L'abbigliamento indossato deve essere funzionale e appropriato, e cioè deve essere aderente ma senza causare impedimenti. Non indossare gioielli o abiti che potrebbero rimanere impigliati in cespugli o arbusti.
- Per evitare lesioni a testa, occhi, mani o piedi e per proteggere l'udito è indispensabile indossare i seguenti dispositivi e indumenti di protezione durante l'uso.
- Indossare sempre un casco dove c'è rischio di caduta di oggetti. Il casco di protezione (1) deve essere controllato periodicamente per verificare la presenza di eventuali danni e deve essere sostituito almeno ogni 5 anni. Usare solo caschi di protezione omologati.
- La visiera (2) del casco (o gli occhiali di protezione) serve a proteggere il viso dai detriti e sassi volanti. Per evitare danni agli occhi, durante il lavoro indossare sempre occhiali di protezione o una visiera.
- Indossare dispositivi di protezione acustica adeguati per evitare danni all'udito (cuffie isolanti (3), tappi per le orecchie e così via).
- La tuta da lavoro integrale (4) protegge da pietre e detriti volanti. Si consiglia vivamente di indossare una tuta da lavoro integrale.
- I guanti (5) sono parte dell'equipaggiamento prescritto e devono sempre essere indossati durante l'uso.
- Durante l'uso dell'utensile, calzare sempre scarponi robusti (6) con soles antiscivolo. Ciò protegge dagli infortuni e assicura un buon appoggio dei piedi.

Avvio del decespugliatore

- Accertarsi che non ci siano bambini o altre persone entro un raggio di 15 metri dall'area del lavoro, e fare anche attenzione alla presenza di animali nelle vicinanze.
- Prima dell'uso verificare sempre che l'utensile non presenti fattori di rischio per il lavoro:
Verificare la sicurezza dell'utensile da taglio, il facile azionamento della leva dell'acceleratore e il corretto funzionamento della sicura.
- L'attrezzo da taglio non deve ruotare mentre il motore gira al minimo. In caso di dubbi, rivolgersi al rivenditore per la regolazione. Accertarsi che le impugnature siano pulite e asciutte, e controllare il funzionamento dell'interruttore di avviamento/arresto.

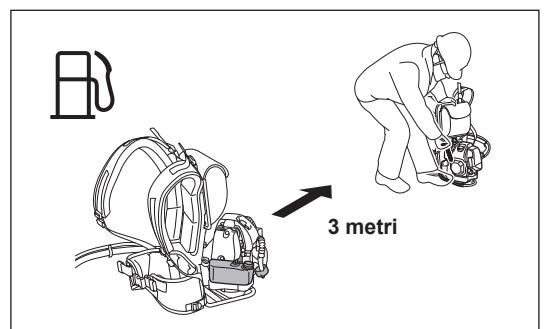
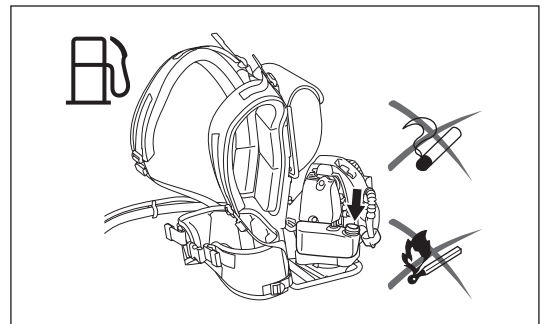
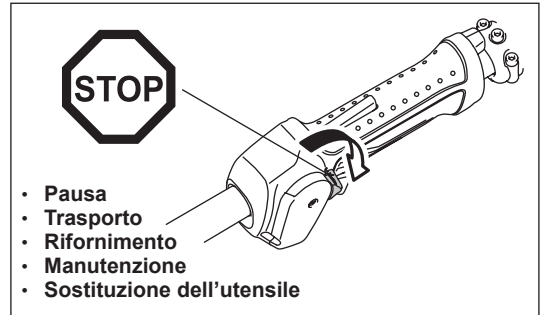
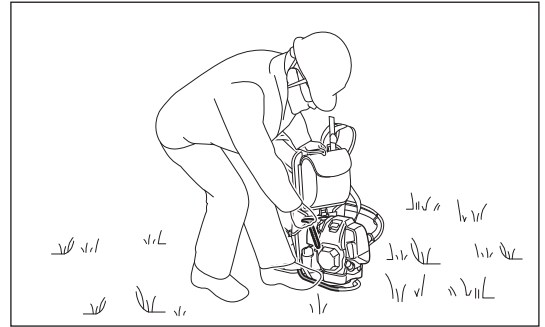


Avviare il decespugliatore solo in base alla procedura riportata nelle istruzioni.

- Non avviare il motore con altri sistemi!
- Usare il decespugliatore e gli utensili solo per le operazioni specificate.
- Avviare il motore soltanto dopo aver completato il montaggio. L'utilizzo di questo utensile è consentito soltanto dopo il montaggio di tutti gli accessori!
- Prima dell'avviamento assicurarsi che l'utensile da taglio non sia a contatto con oggetti rigidi come rami, pietre e così via, poiché all'avvio l'utensile inizierà a ruotare.
- Se il motore presenta un problema, spegnerlo immediatamente.
- Nel caso in cui l'utensile da taglio colpisca pietre o altri oggetti rigidi, è necessario spegnere immediatamente il motore e ispezionare l'utensile.
- Controllare l'utensile da taglio a intervalli regolari per verificare la presenza di danni (rilevare eventuali crepe picchiando delicatamente).
- Se l'utensile dovesse subire un forte colpo o cadere, controllare le sue condizioni prima di continuare a lavorare. Verificare che l'impianto di alimentazione del carburante sia privo di perdite e che i dispositivi di sicurezza funzionino correttamente. In caso di un qualsiasi danno o dubbio, rivolgersi a un centro di assistenza autorizzato per l'ispezione e la riparazione.
- Far funzionare questo utensile soltanto con lo zaino attaccato, che deve essere adeguatamente regolato prima di far funzionare il tagliasièpi. È assolutamente necessario regolare lo zaino secondo il fisico dell'operatore, per evitare l'affaticamento durante l'uso. Non si deve mai tenere il tagliasièpi con una mano durante l'uso.
- Reggere sempre il decespugliatore con entrambe le mani durante l'uso. Assicurarsi sempre di avere una buona presa a terra.
- Far funzionare l'utensile in modo da evitare l'inalazione dei gas di scarico. Non azionare il motore in ambienti chiusi (pericolo di avvelenamento da gas). Il monossido di carbonio è un gas inodoro.
- Spegnerlo durante le pause o quando si lascia incustodito l'utensile, riponendolo in un luogo sicuro per impedire lesioni ad altre persone o danni all'utensile.
- Non appoggiare il decespugliatore surriscaldato nell'erba secca o su materiali infiammabili.
- Installare sempre la protezione dell'attrezzo da taglio appropriata sull'utensile prima di avviare il motore. Il contatto con l'attrezzo da taglio potrebbe altrimenti causare un serio incidente.
- Durante il funzionamento si devono usare tutti i dispositivi di protezione in dotazione all'utensile.
- Non avviare il motore se la marmitta di scarico è difettosa.
- Spegnerlo durante il trasporto.
- Durante il trasporto dell'utensile, applicare sempre il coperchio alla lama.
- Verificare che l'utensile rimanga in una posizione sicura durante il trasporto in auto, onde evitare perdite di carburante.
- Durante il trasporto, assicurarsi che il serbatoio del carburante sia completamente vuoto.
- Durante lo scarico dell'utensile da un autocarro, non far cadere a terra il motore onde evitare gravi danni al serbatoio del carburante.
- Tranne che in caso di emergenza, non far cadere o gettare l'utensile a terra onde evitare di danneggiare gravemente l'utensile stesso.

Rifornimento

- Spegnerlo durante il rifornimento, tenere lontane le fiamme nude e non fumare.
- Evitare il contatto epidermico con i prodotti a base di oli minerali. Non inalare i vapori del carburante. Indossare sempre guanti di protezione durante il rifornimento. Cambiare e lavare gli indumenti di protezione a intervalli regolari.
- Fare attenzione per evitare fuoriuscite di carburante o olio, per non inquinare il terreno (protezione dell'ambiente). Pulire immediatamente il tagliasièpi dopo una fuoriuscita di carburante.
- Evitare il contatto del carburante con il vestito. Cambiarsi immediatamente in caso di contatto con il carburante (per evitare che il vestito prenda fuoco).
- Controllare regolarmente il tappo del serbatoio del carburante per assicurarsi che sia stretto correttamente e che non presenti perdite.
- Stringere con cura il tappo del carburante. Cambiare posto per l'avviamento del motore (almeno a 3 metri di distanza dal luogo di rifornimento).
- Mai fare rifornimento in ambienti chiusi. I vapori del carburante si accumulano al livello del suolo (rischio di esplosione).
- Trasportare e conservare il carburante soltanto in contenitori appropriati. Accertarsi che il luogo dove si conserva il carburante non sia accessibile ai bambini.
- Il rifornimento deve sempre essere fatto su una superficie stabile, per evitare fuoriuscite di carburante.



Modalità di funzionamento

- Usare l'utensile soltanto in buone condizioni di luce e di visibilità. Durante la stagione invernale prestare attenzione alle aree scivolose o umide, al ghiaccio e alla neve (pericolo di scivolamento). Assicurarsi sempre di avere una buona presa a terra.
- Non eseguire tagli a un'altezza superiore a quella della vita.
- Non usare il prodotto da una scala.
- Non arrampicarsi sugli alberi per eseguire operazioni di taglio.
- Non lavorare su superfici instabili.
- Rimuovere sabbia, pietre, chiodi, ecc. dall'area di lavoro.
I corpi estranei potrebbero danneggiare l'utensile da taglio e causare pericolosi contraccolpi.
- Prima di iniziare il taglio, è necessario che l'utensile abbia raggiunto la piena velocità operativa.
- Usando le lame in metallo, spostare l'utensile uniformemente in semicerchio da destra a sinistra, come usando una falce.
Se l'erba o i rami rimangono incastrati tra l'attrezzo di taglio e la protezione, arrestare sempre il motore prima di procedere alla pulizia. In caso contrario, la rotazione accidentale della lama potrebbe causare un serio incidente.
- Fare delle pause per evitare la perdita di controllo dell'utensile causata dalla fatica. Si consiglia di riposare da 10 a 20 minuti ogni ora.
- Fare attenzione che l'attrezzo da taglio non tocchi il terreno durante l'uso dell'utensile. In caso contrario potrebbe urtare contro un oggetto causando un incidente.
- Mantenere le lame in metallo parallele al suolo durante l'uso dell'utensile.

Utensili da taglio

- Servirsi dell'utensile da taglio idoneo per il lavoro da compiere.
Le testine da taglio in nylon (testine del decespugliatore) sono indicate per tagliare l'erba del prato.
Le lame in metallo sono indicate per il taglio delle erbacce, erbe alte, siepi, arbusti, sterpaglie, roveti e simili.
Non si devono mai usare altri tipi di lame, comprese catene metalliche componibili con perno e lame con flagelli. C'è altrimenti pericolo di un serio incidente.
- Durante l'uso di lame in metallo, fare attenzione ai "contraccolpi" e star sempre in guardia per un contraccolpo accidentale. Vedere la sezione "Contraccolpo".

Contraccolpo (colpo di lama)

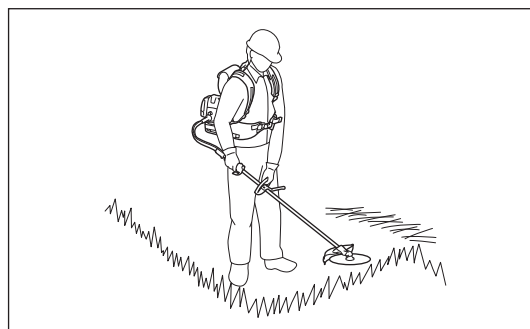
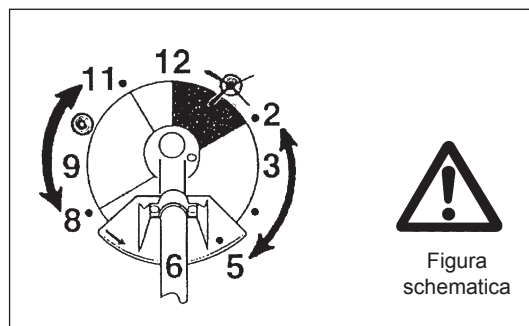
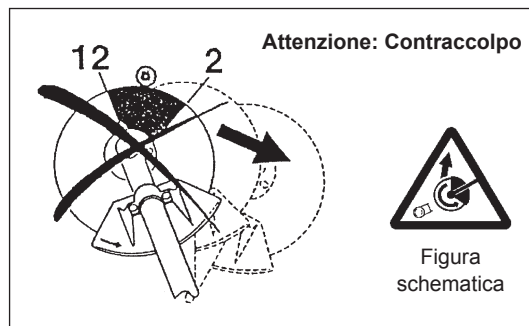
- Il contraccolpo (colpo di lama) è una improvvisa reazione a una lama in metallo incastrata o bloccata. Quando si verifica, l'utensile viene deviato con grande forza di lato o verso l'operatore, e potrebbe causare un serio incidente.
- In particolare, il contraccolpo si verifica durante l'applicazione di un segmento di lama compreso tra le ore 12 - 2 a oggetti solidi, cespugli e alberi con un diametro di 3 cm o superiore.
- Per evitare i contraccolpi:
 - Applicare il segmento tra le ore 8 - 11;
 - Non applicare il segmento tra le ore 12 - 2;
 - Non applicare mai il segmento tra le 11 e le 12 dell'orologio, e tra le 2 e le 5, a meno che l'operatore non sia molto addestrato ed esperto, tenendo conto che fa ciò a proprio rischio e pericolo;
 - Non usare le lame vicino a oggetti solidi come recinzioni, muri, tronchi e pietre;
 - Non usare le lame verticalmente, per operazioni come bordatura e taglio di siepi.

Vibrazione

- Gli operatori con una circolazione del sangue scarsa esposti a vibrazioni eccessive potrebbero subire danni ai vasi sanguigni o al sistema nervoso. Le vibrazioni possono causare i seguenti sintomi alle dita, alle mani o ai polsi: torpore, formicolio, dolore, fitte acute, alterazione della pelle o del suo colorito. Se si dovesse verificare uno di questi sintomi, rivolgersi a un medico.
- Per ridurre il pericolo del cosiddetto fenomeno di Raynaud è importante mantenere le mani calde durante il lavoro ed effettuare un'adeguata manutenzione dell'utensile e degli accessori.

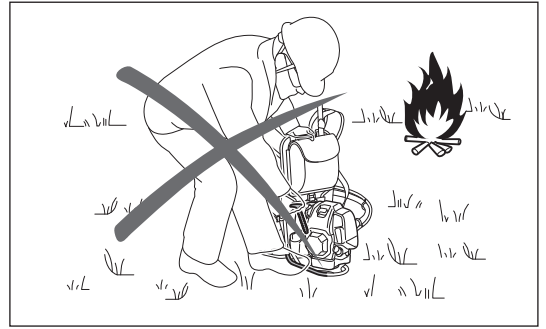
Istruzioni per la manutenzione

- Far riparare questo utensile da un Centro di Assistenza autorizzato, usando sempre e soltanto ricambi genuini. Una riparazione sbagliata o una manutenzione insufficiente possono ridurre la vita di servizio di questo utensile e aumentare il rischio di incidenti.
- Prima di cominciare un lavoro bisogna controllare le condizioni del tagliaiepi, e in particolare dell'attrezzo da taglio, dei dispositivi di protezione e anche dello zaino. Si deve prestare una particolare attenzione alle lame in metallo, che devono essere affilate correttamente.
- Spegnerne il motore e staccare il connettore della candela per sostituire, affilare o pulire gli utensili da taglio.



Non raddrizzare né saldare gli utensili da taglio danneggiati.

- Fare attenzione all'ambiente circostante. Evitare di azionare inutilmente l'acceleratore al fine di ridurre l'inquinamento e le emissioni acustiche. Regolare correttamente il carburatore.
- Pulire regolarmente l'utensile e controllare che tutte le viti e i dadi siano correttamente serrati.
- Non eseguire la manutenzione e non conservare l'utensile in prossimità di fiamme libere.
- Conservare sempre l'utensile in ambienti chiusi a chiave e con il serbatoio del carburante svuotato.
- Durante la pulizia, il funzionamento e lo stoccaggio dell'utensile, applicare sempre il coperchio alla lama.



Rispettare le istruzioni di prevenzione degli incidenti fornite dalle associazioni di categoria e dalle compagnie di assicurazioni. Non apportare modifiche all'utensile onde evitare di mettere a repentaglio la propria sicurezza.

Gli interventi di manutenzione o di riparazione da parte dell'utente sono limitati alle attività descritte nel manuale di istruzioni. Qualsiasi altra operazione deve essere eseguita da un rappresentante autorizzato dell'assistenza. Usare soltanto i ricambi e gli accessori messi sul mercato e forniti da DOLMAR.

L'uso di accessori e utensili non approvati può aumentare il pericolo di incidenti.

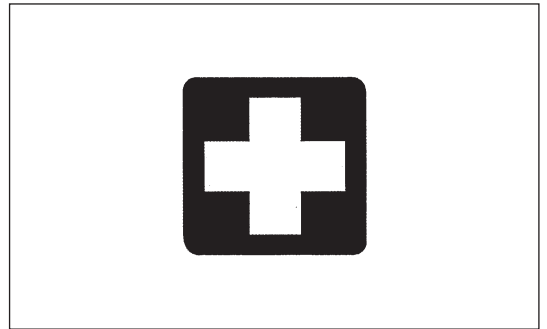
DOLMAR declina ogni responsabilità per danni o incidenti causati dall'uso di utensili da taglio, dispositivi di fissaggio di utensili da taglio o accessori non approvati.

Pronto soccorso

Provvedere a che vicino al posto di lavoro ci sia una cassetta di pronto soccorso nel caso si verifichi un incidente. Sostituire immediatamente qualsiasi cosa prelevata dalla cassetta di pronto soccorso.

Nel momento in cui si richiede assistenza, fornire le seguenti informazioni:

- Luogo dell'incidente
- Che cosa è accaduto
- Numero delle persone ferite
- Tipo di ferite
- Nome e cognome



Solo per i paesi europei

Dichiarazione di conformità CE

Makita dichiara che le macchine seguenti:

Designazione della macchina: Tagliasiepi a zaino a benzina
Modello No./Tipo: MS-4300.4 R

conformi alle seguenti direttive europee:
2000/14/CE, 2006/42/CE

Sono fabbricate conformemente agli standard o documenti standardizzati seguenti:
EN ISO 11806-2

La documentazione tecnica conforme 2006/42/CE è disponibile presso:
Makita, Jan-Baptist Vinkstraat 2, 3070, Belgio

La procedura di valutazione della conformità richiesta dalla direttiva 2000/14/CE è stata effettuata secondo quanto specificato nell'allegato V.

(Con testina da taglio in nylon)
Livello di potenza sonora misurato: 110,6 dB
Livello di potenza sonora garantito: 111 dB
(Con lama da taglio)
Livello di potenza sonora misurato: 104,1 dB
Livello di potenza sonora garantito: 105 dB

1.9.2014



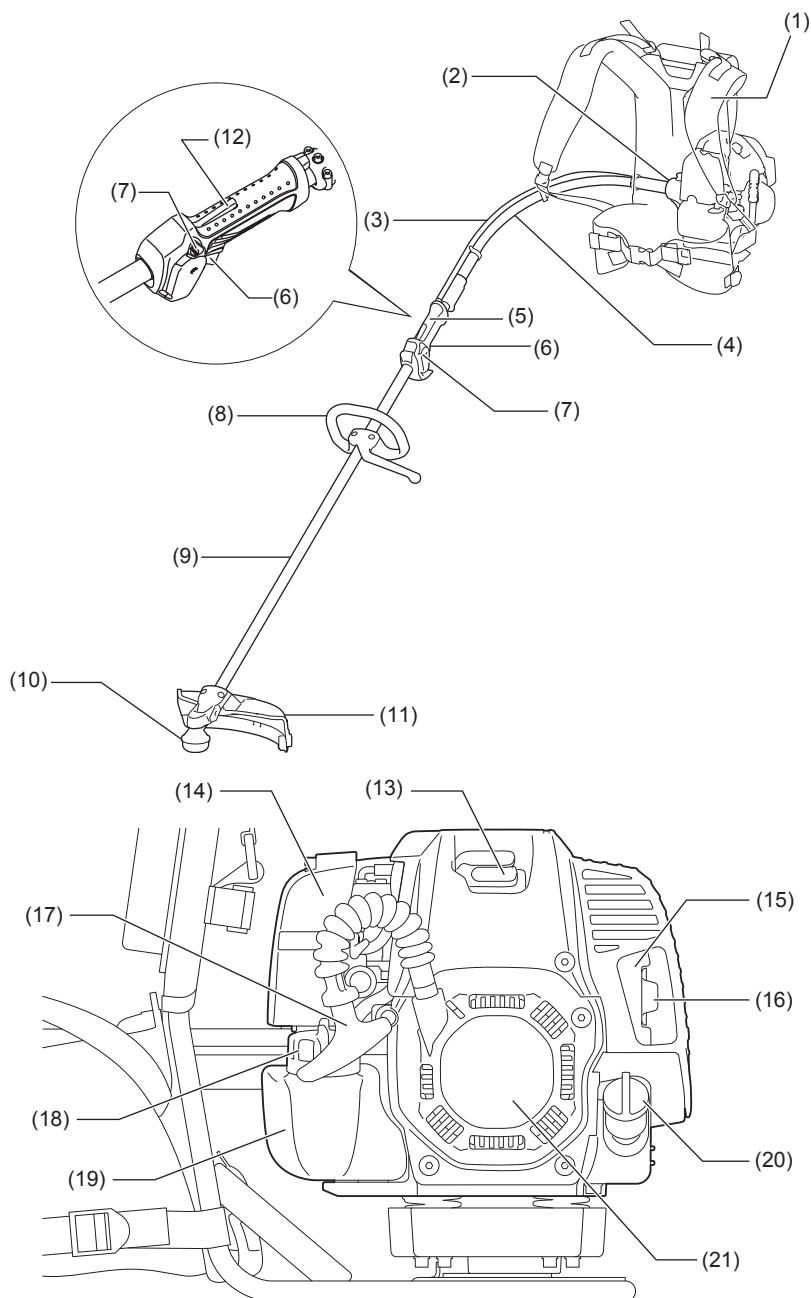
Yasushi Fukaya
Direttore
Makita, Jan-Baptist Vinkstraat 2, 3070, Belgio

DATI TECNICI

Modello		MS-4300.4 R			
Tipo di impugnatura		Impugnatura ad anello			
Dimensioni: lung. x larg. x alt. (senza parte albero flessibile / diritto)		mm	358 x 280 x 587		
Peso (senza protezione in plastica e utensile da taglio)		kg	12,0		
Volume (serbatoio del carburante)		L	0,8		
Volume (serbatoio dell'olio)		L	0,1		
Cilindrata del motore		cm ³	43,0		
Prestazioni massime del motore		kW	1,5 a 7.500 min ⁻¹		
Regime del motore alla velocità massima consigliata del mandrino		min ⁻¹	10.500		
Velocità massima del mandrino (corrispondente)		min ⁻¹	7.200		
Velocità al minimo		min ⁻¹	3.000		
Velocità di innesto della frizione		min ⁻¹	4.000		
Carburatore		Tipo di diaframma			
Candela		tipo	NGK CMR6A		
Distanza tra gli elettrodi		mm	0,7 – 0,8		
			LAMA DA TAGLIO	TESTINA DI TAGLIO IN NYLON	
Vibrazioni secondo ISO 22867	Impugnatura destra (impugnatura posteriore)	$a_{hv\ eq}$	m/s ²	2,7	2,4
		Variazione K	m/s ²	0,8	0,7
	Impugnatura sinistra (impugnatura anteriore)	$a_{hv\ eq}$	m/s ²	3,2	3,4
		Variazione K	m/s ²	1,7	1,0
Livello medio di pressione sonora a ISO 22868		$L_{PA\ eq}$	dB (A)	83,5	92,5
		Variazione K	dB (A)	1,1	1,7
Livello medio di potenza sonora a ISO 22868		$L_{WA\ eq}$	dB (A)	104,1	110,6
		Variazione K	dB (A)	1,1	0,7
Carburante		Benzina per automobili			
Olio motore		Olio di classificazione API, classe SF o superiore, SAE 10W-30 (olio motore a 4 tempi per automobili)			
Utensili da taglio (diametro lama da taglio)		mm	440 (con testina da taglio in nylon), 255 (con lama a 3 denti), 257 (con lama a 3 denti), 305 (con lama a 2 denti)		
Rapporto di trasmissione		13/19			

- Per il nostro continuo programma di ricerca e sviluppo, questi dati tecnici sono soggetti a modifiche senza avviso.
- I dati tecnici potrebbero differire da Paese a Paese.

DESIGNAZIONE DELLE PARTI



1. Zaino	2. Scatola della frizione	3. Cavo di comando	4. Albero flessibile
5. Impugnatura posteriore	6. Leva dell'acceleratore	7. Interruttore I-O (accensione/ spegnimento)	8. Impugnatura
9. Albero diritto	10. Scatola degli ingranaggi	11. Protezione (guardia dell'utensile da taglio)	12. Sicura di accensione a leva
13. Candela	14. Filtro dell'aria	15. Marmitta di scarico	16. Tubo di scarico
17. Maniglia di avviamento	18. Tappo del serbatoio del carburante	19. Serbatoio del carburante	20. Tappo dell'olio
21. Avviamento a corda			

MONTAGGIO DELL'IMPUGNATURA AD ANELLO

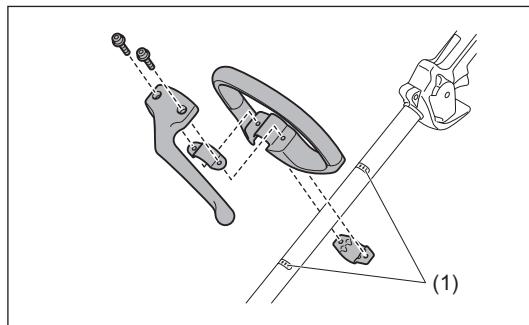
⚠ ATTENZIONE:

- Prima di effettuare qualsiasi intervento sull'utensile, spegnere il motore e staccare il connettore della candela.
- Indossare sempre i guanti di protezione!

⚠ ATTENZIONE:

- Avviare il motore soltanto dopo aver completato il montaggio.

- Fissare l'impugnatura ad anello sull'albero con due viti.
- Per mantenere la distanza corretta tra le impugnature, sistemare l'impugnatura ad anello tra i segni delle frecce (1) sull'albero.



MONTAGGIO DELL'ALBERO FLESSIBILE

Montaggio dell'albero flessibile

1. Rimuovere il bullone (1) dall'estremità dell'albero diritto (2).
2. Rimuovere il tappo dall'albero flessibile.

NOTA:

- Non perdere il tappo. Rimettere sempre a posto il tappo dopo aver rimosso l'albero flessibile.

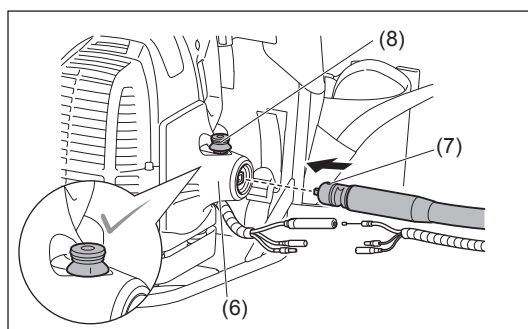
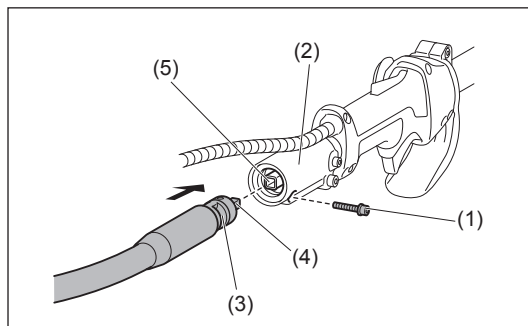
3. Girare l'albero flessibile in modo che la parte incassata (3) dell'albero flessibile sia rivolta in basso.
4. Allineare l'albero interno quadrato (4) sul foro di giunzione (5). Inserire completamente l'estremità dell'albero flessibile nel supporto del tubo.
5. Stringerli con il bullone (1).

AVVISO:

- Se c'è difficoltà, allineare di nuovo l'albero interno quadrato (4) per inserire l'albero flessibile.
- Non estrarre l'albero interno per più di 35 mm.

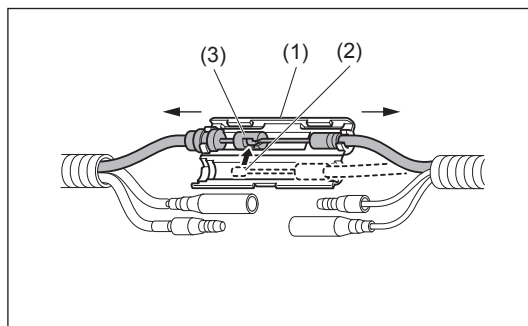
6. Allineare il foro (7) all'altra estremità dell'albero flessibile sulla manopola (8) della scatola della frizione (6), e inserire l'albero flessibile nella scatola della frizione.
7. Accertarsi che la manopola scatti quando entra nel foro dell'albero flessibile.

Per rimuovere l'albero flessibile dalla scatola della frizione tirar su la manopola e rimuoverla.



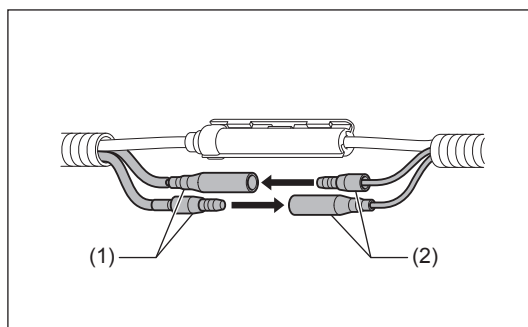
Collegamento del cavo di controllo

1. Inserire l'estremità del cavo di controllo dalla leva di controllo (2) nell'estremità del cavo di controllo dal motore (3).
2. Sistemare il cavo di controllo dalla leva di controllo nel connettore (1). Chiudere poi il connettore.
3. Accertarsi che la valvola a farfalla nel carburatore si muova in modo corrispondente quando si schiaccia la leva dell'acceleratore.



Collegamento dei conduttori

Collegare i conduttori dal motore (1) ai conduttori dalla leva di controllo (2) distinguendo i rispettivi terminali maschi e femmine.

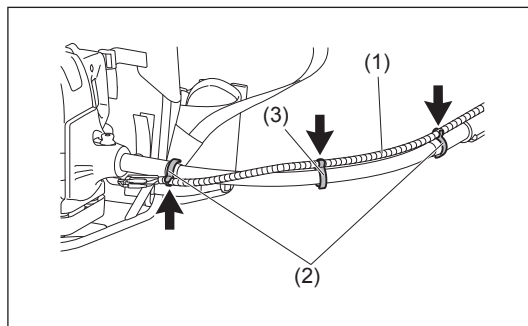


Fissaggio del cavo di controllo

Fissare il cavo di controllo (1) all'albero flessibile usando due morsetti (2) e un altro morsetto (3), come illustrato.

⚠ ATTENZIONE:

- Accertarsi che il cavo di controllo sia attaccato correttamente all'albero flessibile. Se il cavo è allentato, potrebbe impigliarsi nei rami, ecc., e causare un incidente.
- Non avvolgere il cavo di controllo intorno all'albero flessibile. In caso contrario, l'acceleratore potrebbe non funzionare correttamente.



MONTAGGIO DELLA PROTEZIONE

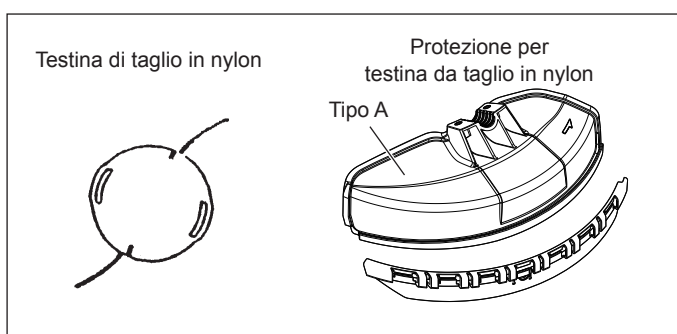
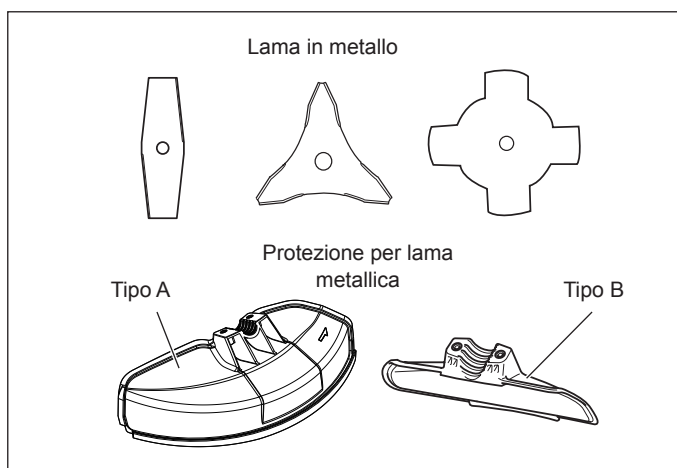
Per rispettare le vigenti normative sulla sicurezza, usare esclusivamente le combinazioni utensile/protezione indicate nella tabella.

⚠ ATTENZIONE:

- Per la propria sicurezza, e per rispettare le norme per la prevenzione degli incidenti, bisogna sempre installare la protezione appropriata.
- Il funzionamento dell'utensile senza protezione non è consentito.
- Non usare altre combinazioni per l'uso delle lame a sega.

NOTA:

- La combinazione standard di utensili da taglio varia da paese a paese.



Per lame metalliche

⚠ ATTENZIONE:

- Accertarsi di stringere uniformemente i bulloni di serraggio della protezione, in modo che il gioco tra il morsetto e la protezione sia costante.
- In caso contrario, la protezione potrebbe a volte non funzionare come specificato.

(Per protezione di tipo A)

Fissare la protezione (3) al morsetto (2) con due bulloni M6x30 (1).

(Per protezione di tipo B)

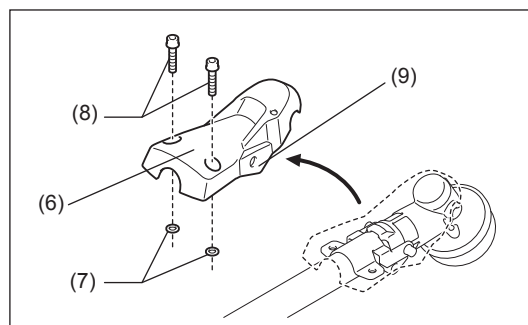
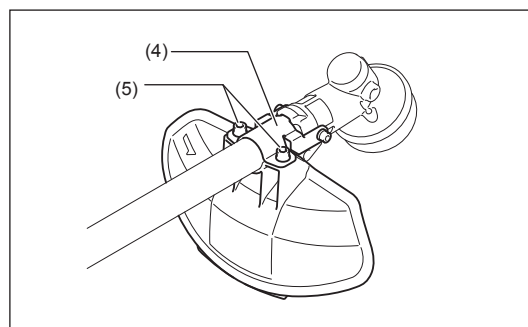
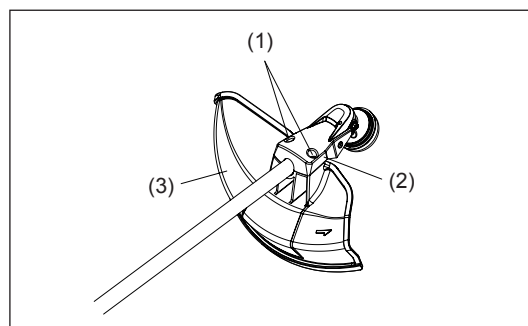
Fissare la protezione al morsetto (4) con due bulloni M6x18 (5).

Se il coperchio della protezione (6) è installato sull'albero, rimuoverlo prima come segue.

1. Rimuovere le rondelle (7) e i bulloni M6x30 (8) dal coperchio della protezione.
2. Rimuovere il coperchio della protezione distendendo leggermente l'aletta (9).

NOTA:

- Se si cambia la protezione dal tipo B al tipo A, installare sull'albero il coperchio della protezione, i bulloni M6x30 e le rondelle prima di installare la protezione.

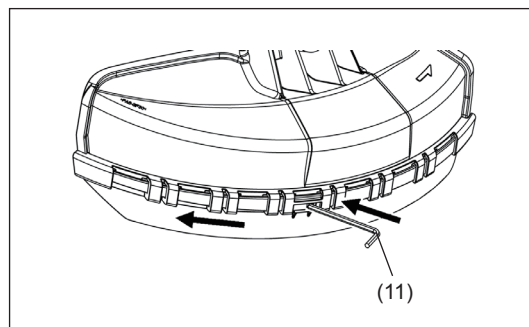
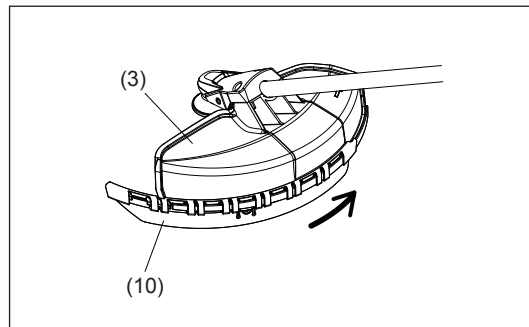


Per la testina da taglio in nylon

- Accertarsi di installare la protezione della testina da taglio in nylon (10) sulla protezione della lama metallica del tipo A (3) montata con la protezione della testina da taglio in nylon.
- Montare la protezione della testina da taglio in nylon (10) spingendola in posizione dal lato della protezione della lama in metallo (3).
- Rimuovere il nastro attaccato alla lama, che taglia il filo di nylon, sulla protezione della testina da taglio in nylon (10).

⚠ ATTENZIONE:

- Accertarsi di spingere la protezione della testina da taglio in nylon (10) finché è inserita completamente.
Prestare attenzione a non ferirsi con il dispositivo da taglio del filo di nylon.
- Per rimuovere la protezione della testina da taglio in nylon (10), inserire la chiave esagonale (11) nella tacca della protezione della lama metallica (3), spingerla dentro e spostare allo stesso tempo la protezione della testina da taglio in nylon (10).



MONTAGGIO DELLA LAMA IN METALLO O DELLA TESTINA DA TAGLIO IN NYLON

Usare lame o testine da taglio in nylon originali DOLMAR.

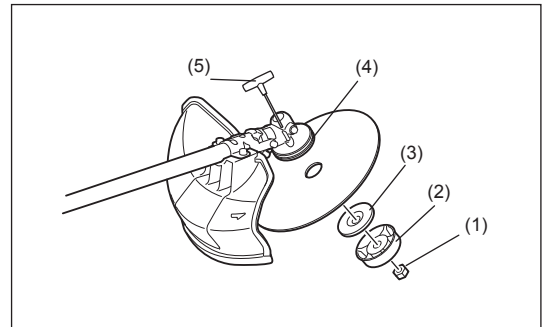
- La lama in metallo deve essere ben affilata, priva di crepe o spacchi. Se durante il lavoro la lama in metallo urta un sasso, arrestare il motore e controllarla immediatamente.
- Affilare o sostituire la lama ogni tre ore di utilizzo.
- Se durante l'uso la testina di taglio in nylon colpisce una pietra, spegnere il motore e controllare subito la testina di taglio in nylon.

⚠ ATTENZIONE:

- Per la propria sicurezza, e per rispettare le norme per la prevenzione degli incidenti, bisogna sempre installare la protezione appropriata. Il funzionamento dell'utensile senza protezione non è consentito. Il diametro esterno della lama da taglio deve essere di 300 mm o inferiore. Non si devono mai usare lame con un diametro esterno di oltre 300 mm. Le lame da taglio con un diametro esterno di 305 mm o 12 pollici possono essere usate soltanto per quelle con lama a 2 denti.

Capovolgere l'albero diritto per poter sostituire più facilmente la lama in metallo o la testina da taglio in nylon.

- Inserire la chiave esagonale (5) nel foro della scatola degli ingranaggi, e ruotare la rondella di ricezione (4) con la chiave esagonale fino a bloccarla.
- Allentare il dado (1) (filettatura sinistrorsa) con la chiave a tubo e rimuovere il dado (1), la coppa (2) e la rondella della ganascia (3).



Montaggio della lama senza spostare la chiave esagonale

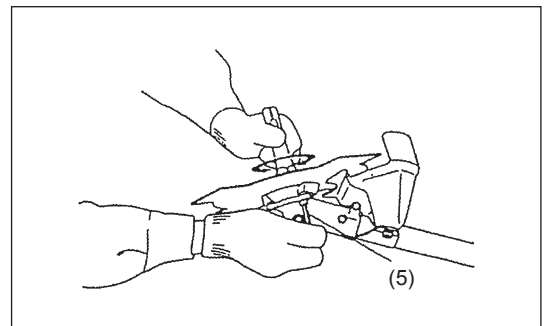
- Montare la lama in metallo sull'albero in modo che la guida della rondella di ricezione (4) entri nel foro dell'asse della lama in metallo. Installare la rondella di serraggio (3), la coppa (2), e fissare la lama in metallo con il dado (1).
[Coppia di serraggio: 20 – 30 N•m]

NOTA:

- Indossare sempre i guanti per maneggiare la lama in metallo.

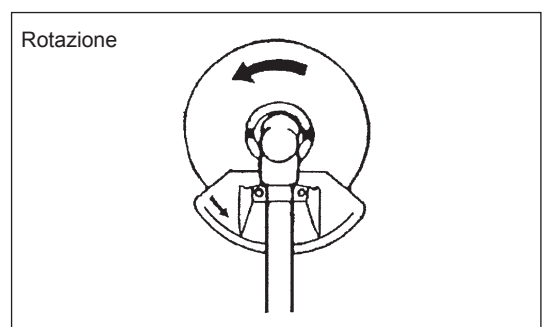
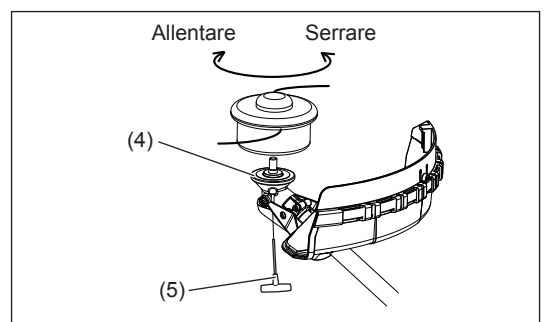
NOTA:

- Il dado di serraggio della lama in metallo (con rondella elastica) è una parte usurabile. Sostituire il dado se la rondella elastica presenta segni di usura o di deformazione.



Montaggio della testina da taglio in nylon

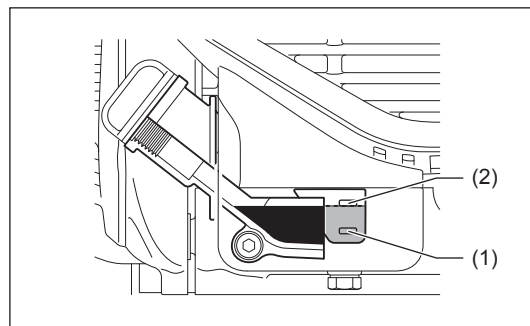
- La rondella di serraggio (3), la coppa (2) e il dado (1) non sono necessari per il montaggio della testina da taglio in nylon. La testina da taglio in nylon deve trovarsi sopra la rondella di ricezione (4).
- Inserire la chiave esagonale (5) nel foro della scatola degli ingranaggi, e ruotare la rondella di ricezione (4) con la chiave esagonale fino a bloccarla.
- Avvitare poi la testina da taglio in nylon sull'albero girandola in senso antiorario.
- Rimuovere la chiave esagonale.



PRIMA DELL'AVVIAMENTO

Ispezione e rabbocco dell'olio motore

- Eseguire la seguente procedura a motore freddo.
- Accertarsi che il motore sia su una superficie orizzontale piana, e controllare che il livello dell'olio sia tra il limite inferiore (1) e superiore (2) dell'indicatore dell'olio.
- Se il livello dell'olio è al di sotto del limite inferiore, rimuovere il tappo dell'olio e aggiungere l'olio.
- L'area intorno ai contrassegni esterni è trasparente, per cui la quantità d'olio all'interno può essere controllata senza dover rimuovere il tappo dell'olio. Se però il tubo dell'olio è particolarmente sporco, la visibilità potrebbe essere compromessa, per cui occorre controllare il livello dell'olio utilizzando la sezione a gradini all'interno del tubo.
- Il rabbocco dell'olio potrebbe essere necessario dopo circa 10 ore di utilizzo (ogni 10 rifornimenti).
Sostituire l'olio se cambia colore o è mescolato a polvere. (Per le informazioni sull'intervallo e il metodo di sostituzione, vedere a pag. 107.)



Olio consigliato: Olio SAE 10W-30 di classificazione API, classe SF o superiore (motore a 4 tempi per automobili)

Volume dell'olio: Circa 0,10 L

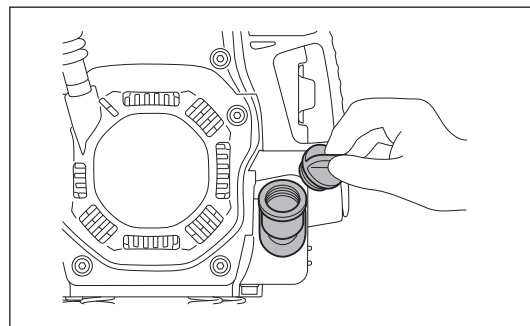
NOTA:

- Se il motore non è sistemato su una superficie orizzontale, come illustrato, l'indicazione del livello dell'olio potrebbe non essere precisa e si potrebbe rabboccare l'olio eccessivamente. Il rabbocco dell'olio oltre il limite superiore potrebbe causare la sua contaminazione e/o fumo bianco.

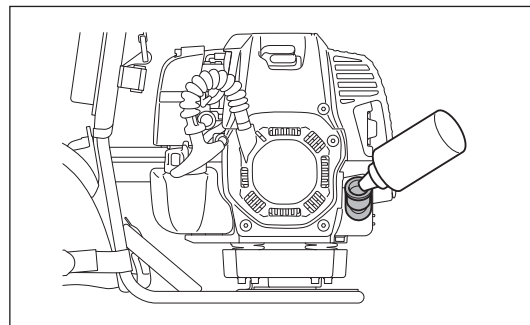
Sostituzione dell'olio: "Tappo dell'olio"

- Rimuovere polvere o sporcizia in prossimità del bocchettone di rifornimento dell'olio, quindi rimuovere il tappo dell'olio.
- Evitare il contatto del tappo dell'olio staccato con sabbia e polvere. In caso contrario, la sabbia o la polvere sul tappo dell'olio potrebbe causare una circolazione irregolare dell'olio o usurare le parti del motore, dando origine a problemi.

(1) Mantenere il motore orizzontale e staccare il tappo dell'olio.



(2) Rabboccare l'olio fino al limite superiore.
Usare il flacone dell'olio per il rifornimento.



(3) Stringere saldamente il tappo dell'olio. Un serraggio insufficiente può causare perdite d'olio.

NOTA:

- Non sostituire l'olio se il motore è in posizione inclinata.
- Il rabbocco effettuato con il motore inclinato può portare a un eccessivo riempimento, causando la contaminazione dell'olio e/o la produzione di fumo bianco.

Dopo il rabbocco dell'olio

- Asciugare immediatamente con uno straccio tutto l'olio fuoriuscito.

RIFORNIMENTO**Gestione del carburante**

Il carburante deve essere trattato con la massima attenzione. In quanto potrebbe contenere sostanze simili ai solventi. Il rifornimento deve essere fatto in un ambiente sufficientemente ventilato o all'aperto. Non inalare i vapori e mantenere il carburante a distanza dal proprio corpo. Un contatto ripetuto o prolungato con il carburante potrebbe seccare la pelle, provocando fastidi o allergie. Qualora il carburante entri a contatto con gli occhi, lavare gli occhi con acqua fresca. Se l'irritazione degli occhi persiste, rivolgersi a un medico.

Periodo di conservazione del carburante

Il carburante deve essere usato entro 4 settimane, anche se viene conservato in contenitori specifici in zone ben ventilate e in ombra. In caso contrario, il carburante potrebbe deteriorarsi in un giorno.

CONSERVAZIONE DELL'APPARECCHIO E RIFORNIMENTO DEL SERBATOIO

- Conservare l'apparecchio e il serbatoio in un luogo fresco e non esposto alla luce diretta del sole.
- Non conservare il carburante in auto.

Carburante

Il motore è del tipo a quattro tempi. Usare benzina senza piombo per automobili con almeno 87 ottani ((R+M)/2). Non deve contenere più del 10% di alcol (E-10).

Informazioni utili sul carburante

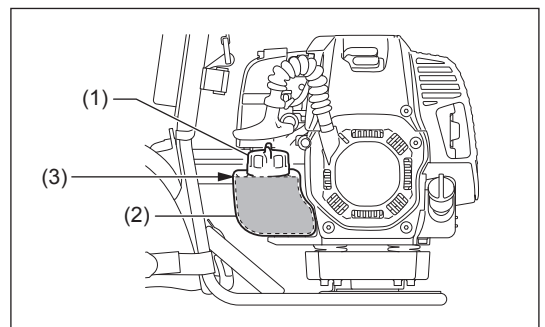
- Non si deve mai usare una miscela di benzina e olio motore. In caso contrario potrebbe verificarsi un accumulo eccessivo di carbonio con conseguenti problemi meccanici.
- L'uso di olio contaminato causa un avviamento irregolare.

Rifornimento**⚠ AVVERTIMENTO:**

- **Spegnere il motore prima di fare rifornimento, tenere lontane le fiamme nude e non fumare.**
- Allentare leggermente il tappo del serbatoio (1), per rilasciare la pressione del serbatoio.
- Rimuovere il tappo del serbatoio e fare rifornimento. **NON** riempire oltre il limite superiore (3).
- Pulire la parte esterna del tappo per evitare che nel serbatoio del carburante entrino sostanze estranee.
- Dopo il rifornimento, stringere saldamente il tappo del serbatoio.

NOTA:

- Se il tappo del serbatoio presenta danni o difetti è necessario sostituirlo.
- Il tappo del serbatoio si usura con il tempo. Sostituirlo ogni due o tre anni.
- **NON** versare carburante nell'apertura di rabbocco dell'olio.



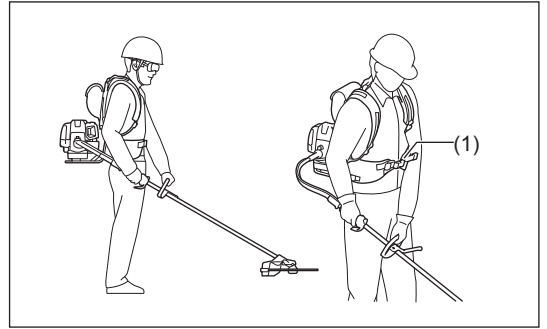
UTILIZZO CORRETTO DELL'UTENSILE

⚠ AVVERTIMENTO:

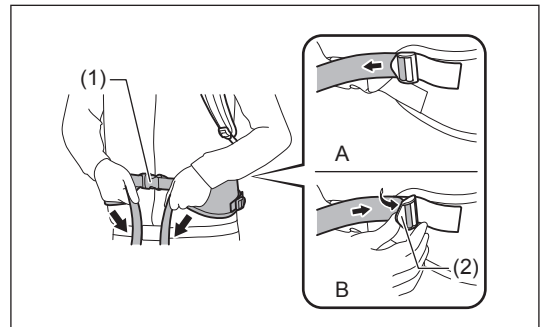
- La perdita completa del controllo dell'utensile potrebbe essere causa di gravi infortuni o DECESSO.

Modo di caricarsi lo zaino

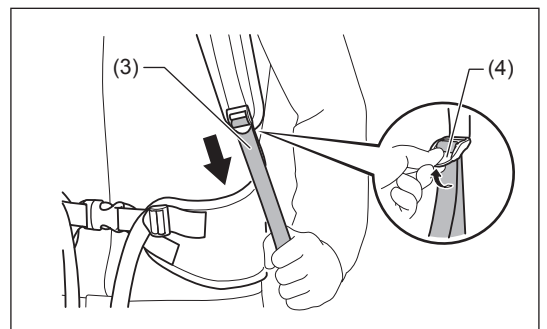
Regolare le cinghie per trasportare comodamente il motore sulla schiena durante il lavoro.



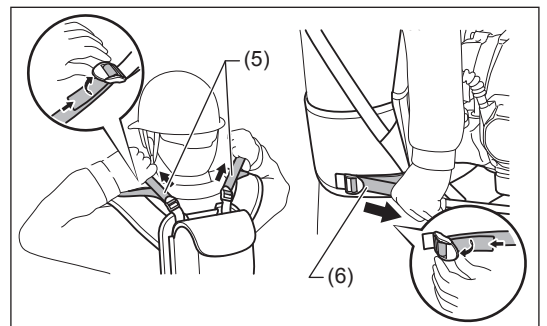
1. Sistemare lo zaino sulla schiena e chiudere la fibbia (1).
Per fissare la cintura, tirare l'estremità della cinghia (A).
Per aprirla, tirare su l'estremità dell'elemento di fissaggio (2) (B).



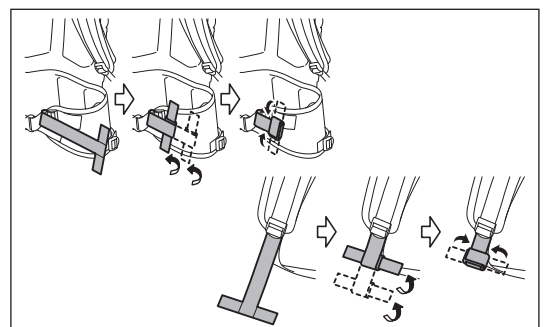
2. Regolare la cinghia da spalla (3) a una lunghezza comoda per lavorare.
Per fissare la cinghia, tirare l'estremità della cinghia.
Per allentarla, tirare l'estremità dell'elemento di fissaggio (4).



3. Regolare la cinghia di stabilizzazione delle spalle e dei fianchi (5, 6). Per fissare la cinghia, tirare l'estremità della cinghia. Per allentarla, tirare su l'estremità dell'elemento di fissaggio.

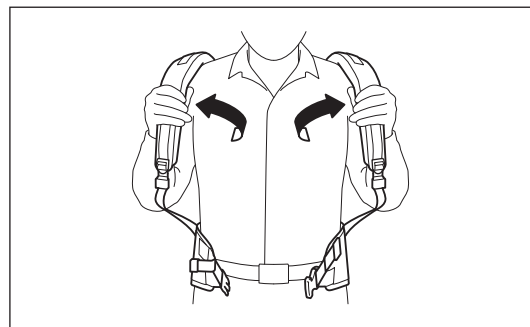
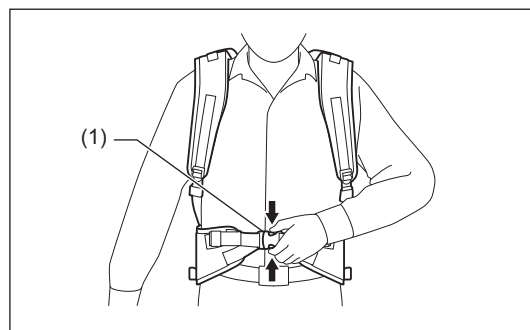


4. Avvolgere l'eccesso delle cinghie e fissarle con un elemento di fissaggio ad anello o gancio.



Rilascio dell'utensile

- Per rilasciare la macchina, schiacciare i lati della fibbia (1) e togliersi l'imbracatura. Durante ciò, fare particolarmente attenzione a mantenere il controllo dell'utensile. Impedire che l'utensile venga deviato verso l'operatore o chiunque si trovi vicino.



MODO DI AVVIARE E DI ARRESTARE IL MOTORE

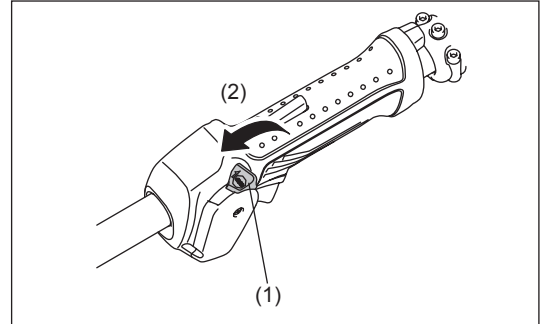
Rispettare le normative vigenti per la prevenzione degli infortuni!

AVVIAMENTO

Allontanarsi di almeno 3 metri dal posto dove si è fatto rifornimento. Sistemare l'utensile per terra facendo attenzione che l'attrezzo da taglio non faccia contatto con il terreno o con un qualsiasi oggetto.

A: Avviamento a freddo

- 1) Mettere l'utensile su una superficie piana.
- 2) Posizionare l'interruttore I-O (1) per l'avviamento del motore.



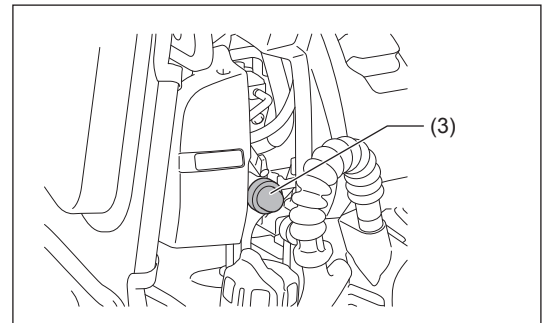
- 3) Levetta dell'aria
Chiudere la levetta dell'aria.

Apertura dell'aria:

- Chiusa completamente alle basse temperature o quando il motore è freddo.
- Aperta o a semiaperta se il motore è un po' caldo, come quando viene riavviato subito dopo il suo arresto durante l'operazione di riscaldamento.



- 4) Pompa di adescamento
Premere ripetutamente la pompa di adescamento (3) finché il carburante entra nella pompa. (In genere, sono necessarie da 7 a 10 pressioni.)
Se la pompa di adescamento viene premuta eccessivamente, la benzina in eccesso torna nel serbatoio del carburante.



5) Avviamento manuale

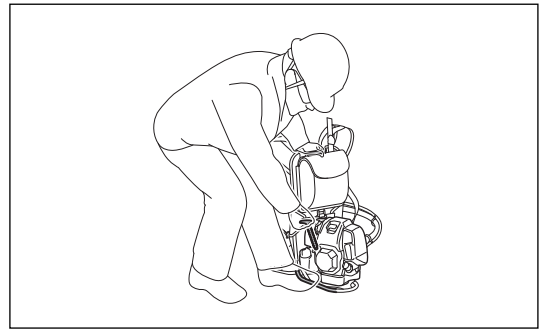
Accertarsi che i piedi abbiano un appoggio stabile.
Tenere l'utensile con la mano sinistra bloccandolo saldamente a terra.

⚠ ATTENZIONE:

- Non salire con piedi o ginocchia sul cavo dell'acceleratore. Il filo interno potrebbe venire tirato avviando involontariamente la rotazione dell'attrezzo da taglio. Non aprire l'acceleratore.

Tirare delicatamente la maniglia di avviamento finché si sente una certa resistenza. A questo punto, rimettere la maniglia di avviamento sulla sua posizione iniziale e tirarla con forza.

La corda non deve mai essere tirata completamente. Una volta tirata la leva del dispositivo di avviamento, non togliere immediatamente la mano. Tenere la maniglia di avviamento finché torna sulla sua posizione originale.



6) Levetta dell'aria

Dopo la partenza del motore, regolare la leva dell'aria sulla posizione di apertura.

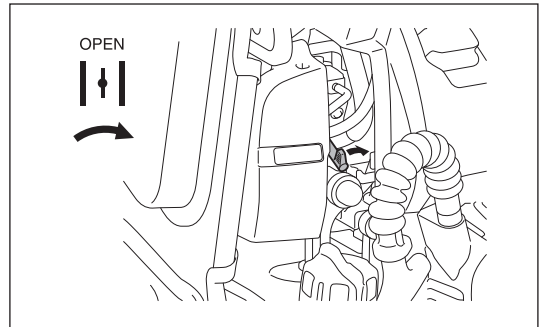
- Aprire gradualmente la levetta dell'aria controllando il funzionamento del motore. Tirare completamente la levetta per aprire totalmente l'aria.
- La levetta dell'aria non deve mai essere aperta improvvisamente alle basse temperature o quando il motore è freddo. Diversamente, il motore potrebbe spegnersi.

7) Operazione di riscaldamento

Continuare l'operazione di riscaldamento per 2 o 3 minuti.

AVVISO:

- **Non tirare la leva dell'acceleratore se non necessario quando il motore non è in funzione**, onde evitare la possibile fuoriuscita di carburante dal filtro dell'aria. In caso di fuoriuscita, rimuovere il carburante versato con uno strofinaccio. Aprire inoltre il coperchio del filtro dell'aria e pulire l'elemento filtrante e la piastra del filtro dell'aria.



NOTA:

- Non schiacciare inutilmente la leva dell'acceleratore quando il motore non sta funzionando, onde evitare che il carburante ingolfi il motore e renda difficile l'avvio del motore.
- Se si verifica una fuoriuscita del carburante, rimuovere la candela e tirare lentamente la maniglia di avviamento per rimuovere l'eccesso di carburante. Asciugare inoltre la sezione degli elettrodi della candela.
- Se il motore parte e si arresta, o se si arresta subito dopo la partenza, rimettere la leva dell'aria sulla posizione di apertura e tirare di nuovo alcune volte la maniglia di avviamento per far partire il motore.
- Se si lascia la leva dell'aria sulla posizione di chiusura e si tira semplicemente ripetutamente la maniglia di avviamento, viene aspirato troppo carburante e la partenza del motore diventa difficile.
- Non far girare a vuoto il motore durante l'operazione di riscaldamento se non necessario.

B: Avviamento a caldo

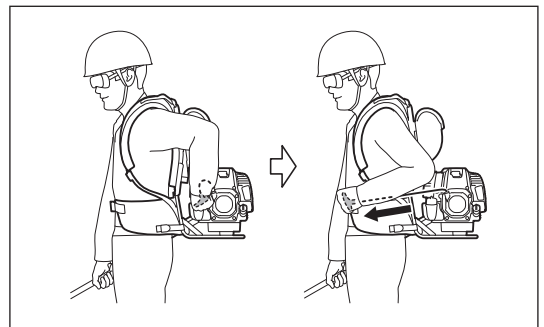
- 1) Mantenere la levetta dell'aria completamente aperta.
- 2) Premere ripetutamente la pompa di adescamento.
- 3) Mantenere la leva dell'acceleratore sulla posizione del minimo.
- 4) Tirare con forza la maniglia di avviamento.

Il motore può essere riavviato anche con l'utensile sulla schiena.

⚠ ATTENZIONE:

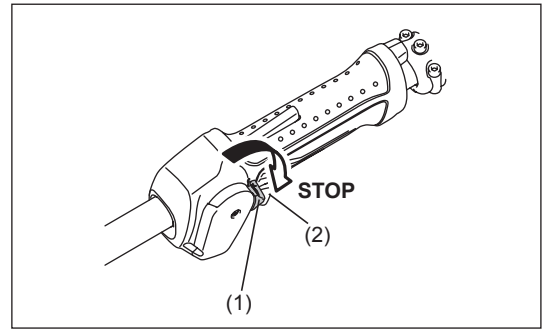
- Accertarsi che l'attrezzo da taglio non faccia contatto quando si riavvia il motore.
- Non schiacciare la leva dell'acceleratore quando si riavvia il motore. In caso contrario, l'attrezzo da taglio comincia a ruotare.

Tenere l'impugnatura con la mano destra, e tirare con forza la maniglia di avviamento.



ARRESTO

- 1) Rilasciare completamente la leva dell'acceleratore (2) e, quando i giri del motore si sono ridotti, posizionare l'interruttore I-O (1) su STOP per arrestare il motore.
- 2) L'attrezzo da taglio continua a ruotare per qualche istante dopo l'arresto del motore. Aspettare finché si è arrestato completamente.

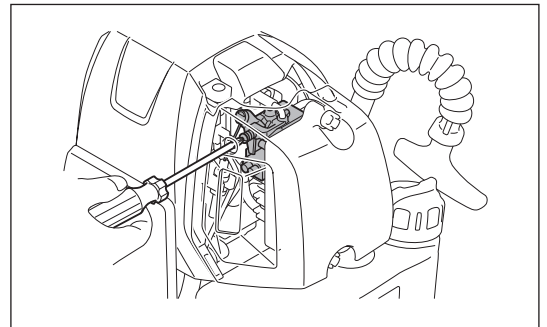


REGOLAZIONE DELLA VELOCITÀ DEL MINIMO

Qualora fosse necessario regolare la velocità al minimo, effettuare la modifica utilizzando la vite di regolazione del carburatore.

CONTROLLO DELLA VELOCITÀ AL MINIMO

- Regolare la velocità del minimo a 3.000 min⁻¹.
Qualora fosse necessario cambiare la velocità al minimo, regolare la vite mostrata a destra con un cacciavite a stella.
- Per aumentare la velocità del minimo, girare la vite di regolazione in senso orario.
Per ridurre la velocità al minimo, girare la vite di regolazione in senso antiorario.
- Il carburatore è stato regolato in fabbrica. Tuttavia, dopo svariati utilizzi la velocità del minimo deve essere regolata di nuovo.



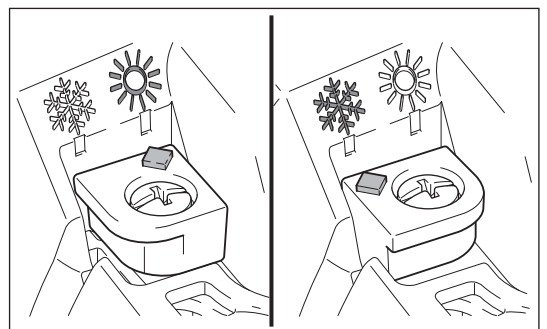
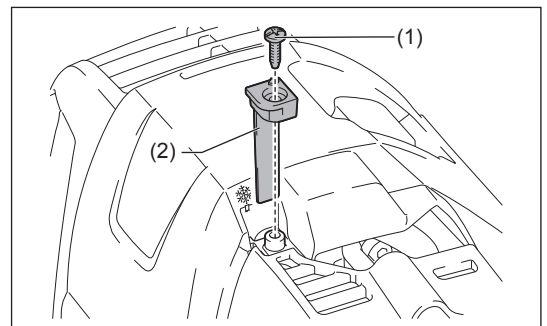
PREVENZIONE DELLA FORMAZIONE DI GHIACCIO AL CARBURATORE

⚠ ATTENZIONE:

- Quando la temperatura ambiente supera i 10°C, rimettere sempre l'otturatore sulla impostazione normale (simbolo del sole). Si potrebbe altrimenti danneggiare il motore a causa del suo surriscaldamento.

Quando la temperatura ambiente è bassa e l'umidità è alta, il vapore acqueo potrebbe congelarsi all'interno del carburatore e il motore funzionare in modo instabile (ghiaccio nel carburatore). Cambiare l'impostazione dell'otturatore come segue, se necessario.

1. Rimuovere la vite (1).
2. Cambiare la direzione dell'otturatore (2) come segue:
 - La temperatura ambiente supera i 10°C: collocare lo schermo nella posizione normale (simbolo del sole).
 - La temperatura ambiente è uguale o inferiore ai 10°C: collocare lo schermo nella posizione antigelo (simbolo della neve).
3. Serrare la vite.



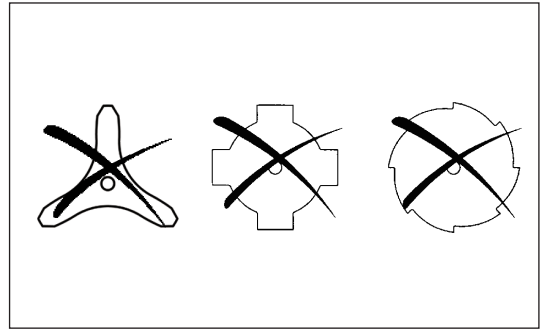
AFFILATURA DELL'ATTREZZO DA TAGLIO

⚠ ATTENZIONE:

- Gli attrezzi da taglio mostrati nella illustrazione non devono essere affilati. L'affilatura manuale causa un difetto di equilibrio dell'attrezzo da taglio, con conseguenti vibrazioni e danni all'utensile.

NOTA:

- Per aumentare la durata della lama da taglio è possibile capovolgerla di tanto in tanto, fino a usurare entrambi i margini di taglio.



TESTINA DI TAGLIO IN NYLON

La testina da taglio in nylon è una testina tagliabordi a doppio filo con meccanismo di avanzamento del filo a battitura.

La testina da taglio in nylon alimenta il filo di nylon quando la testina viene sbattuta contro il terreno.

Funzionamento

- Aumentare la velocità della testina da taglio in nylon a circa 6.000 min⁻¹.
Battere delicatamente la testina da taglio in nylon sul terreno.
- L'area di taglio più efficace è mostrata tratteggiata nella figura a fianco.
- Se il filo di nylon non viene estratto, riavvolgere o sostituire il filo seguendo le procedure descritte in "Sostituzione del filo di nylon".

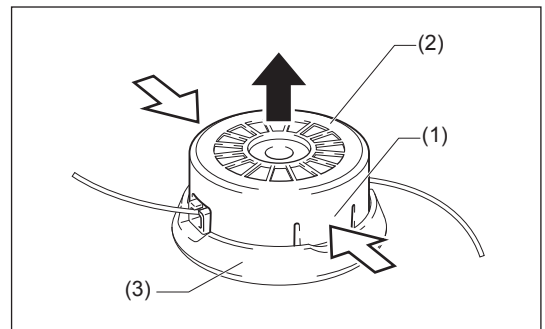


Sostituzione del filo di nylon (AVANZAMENTO DEL FILO A BATTITURA)

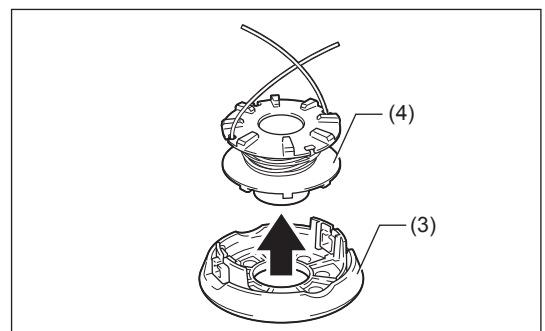
⚠ ATTENZIONE:

- Assicurarsi che il coperchio della testina da taglio in nylon sia fissato correttamente sull'alloggiamento come descritto di seguito. Se il coperchio non viene fissato correttamente, la testina da taglio in nylon potrebbe volare via causando un serio incidente.

1. Premere dentro i ganci (1) dell'alloggiamento (2), e rimuovere il coperchio (3) sollevandolo.



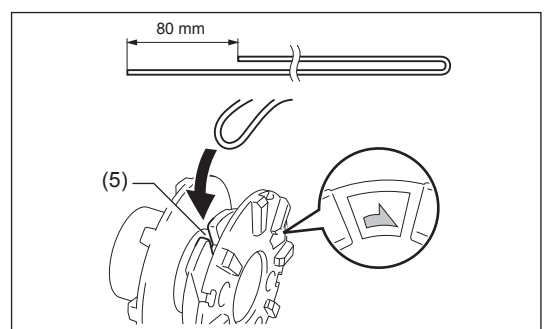
2. Rilasciare il filo di nylon dall'occhiello. Rimuovere poi la bobina (4) dal coperchio.
Gettare il filo di nylon rimanente.



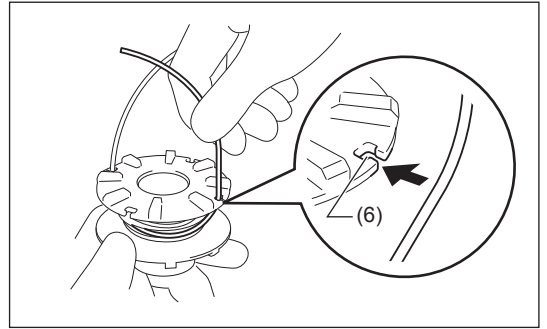
3. Agganciare la parte centrale del nuovo filo di nylon alla tacca (5) situata al centro della bobina tra i due canali.

Un capo del filo deve essere di 80 mm circa più lungo dell'altro.

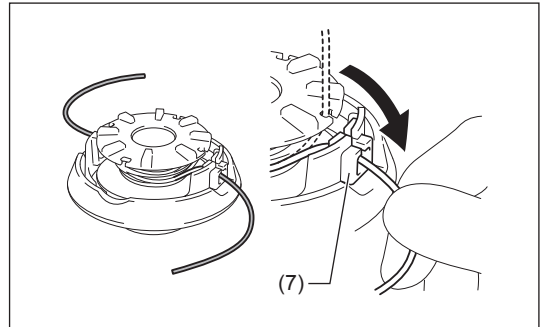
Avvolgere saldamente entrambe le estremità sulla bobina nella direzione della freccia sulla bobina.



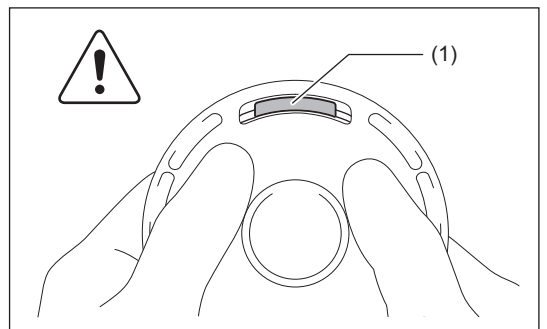
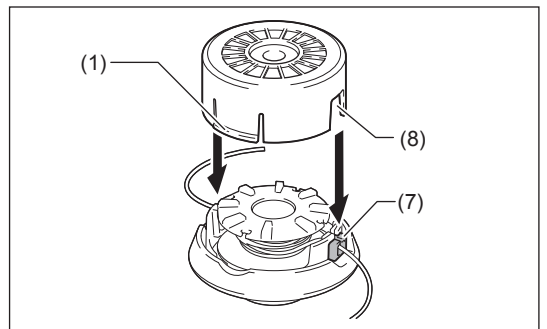
4. Avvolgere tutto il filo, tranne 100 mm circa, lasciando le estremità agganciate temporaneamente alle tacche (6).



5. Montare la bobina sul coperchio con le tacche di supporto che incontrano gli occhielli (7).
Sganciare le estremità del filo dalla loro posizione temporanea, e farle passare attraverso gli occhielli.



6. Allineare le scanalature quadrate (8) dell'alloggiamento sugli occhielli (7).
Spingere poi saldamente l'alloggiamento sul coperchio per fissarlo. Accertarsi che i ganci (1) si estendano completamente sul coperchio.



ISTRUZIONI PER LA MANUTENZIONE

⚠ ATTENZIONE:

- Prima di effettuare qualsiasi intervento sull'utensile, spegnere il motore e staccare la candela (vedere "controllo della candela"). Indossare sempre i guanti di protezione.

Per garantire una vita utile prolungata ed evitare danni all'utensile, è opportuno effettuare periodicamente le seguenti operazioni di manutenzione.

Controllo e manutenzione giornalieri

- Prima dell'uso, controllare che sull'utensile non ci siano viti allentate o parti mancanti. Controllare in modo particolare che la lama in metallo, o la testina da taglio in nylon, sia stretta saldamente.
- Prima dell'uso, verificare che il passaggio dell'aria di raffreddamento e le alette del cilindro non siano intasati. Effettuare la pulizia, se necessario.
- Eseguire le seguenti operazioni di manutenzione giornaliere dopo l'uso:
 - Pulire esternamente l'utensile e verificare la presenza di danni.
 - Pulire il filtro dell'aria. Pulire il filtro diverse volte al giorno se si lavora dove c'è molta polvere.
 - Controllare eventuali danni alla lama o alla testina di taglio in nylon e verificare che siano montati saldamente.
 - Controllare che vi sia una differenza sufficiente tra la velocità al minimo e la velocità di esercizio, in modo che l'utensile da taglio sia fermo quando il motore è al minimo (se necessario ridurre la velocità al minimo).
Se in condizioni di minimo l'utensile è ancora in funzione, rivolgersi al centro assistenza autorizzato di zona.
- Controllare il funzionamento dell'interruttore I-O, della leva di sblocco e della leva dell'acceleratore.

SOSTITUZIONE DELL'OLIO MOTORE

L'olio motore contaminato riduce la vita di servizio del motore. Controllare regolarmente l'olio e il suo livello.



AVVERTIMENTO: Subito dopo l'arresto, il motore e l'olio motore sono ancora caldi. Attendere il tempo necessario affinché il motore e l'olio motore si raffreddino. In caso contrario potrebbero verificarsi ustioni.

NOTA:

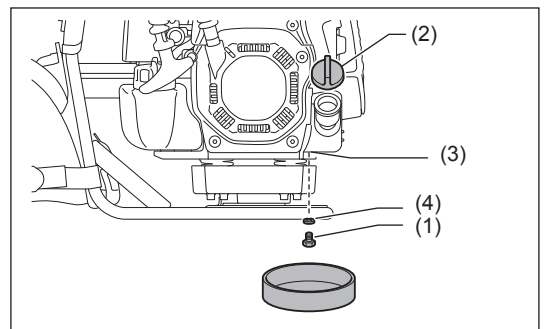
- Se si rabbocca l'olio oltre il limite, potrebbe contaminarsi o prendere fuoco producendo fumo bianco. Dopo l'arresto del motore, attendere il tempo necessario affinché l'olio motore torni al serbatoio dell'olio e sia garantita una lettura accurata del livello dell'olio.

Intervallo di sostituzione: Inizialmente ogni 20 ore di funzionamento, successivamente ogni 50 ore di funzionamento.

Olio consigliato: Olio SAE 10W-30, classificazione API, classe SF o superiore (motore a 4 tempi per automobili)

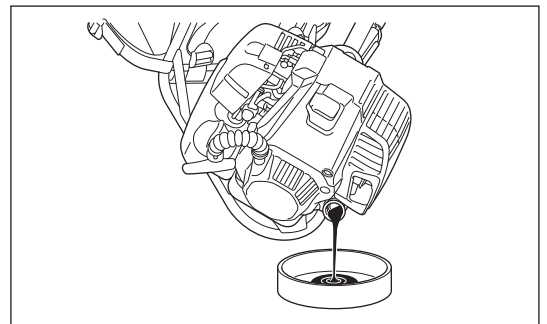
Per la sostituzione attenersi alla seguente procedura.

- 1) Accertarsi che il tappo del serbatoio del carburante sia chiuso saldamente.
- 2) Mettere un grande recipiente (vaschetta, ecc.) sotto il foro di scarico.
- 3) Rimuovere il bullone di scarico (1), e rimuovere poi il tappo dell'olio (2) per far uscire l'olio dal foro di scarico (3).
A questo punto, fare attenzione a non perdere la guarnizione del bullone (4), e a non sporcare le parti rimosse.
- 4) Dopo lo scarico di tutto l'olio, installare la guarnizione e il bullone di scarico stringendo saldamente il bullone in modo che non ci siano perdite.
[Coppia di serraggio: 5 N•m]
* Usare uno straccio per pulire via l'olio rimasto attaccato al bullone o all'utensile.



Metodo di drenaggio alternativo

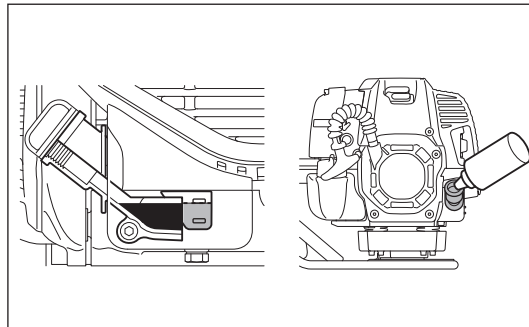
Rimuovere il tappo dell'olio, inclinare l'utensile verso il foro di rabbocco e scaricare l'olio.
Raccogliere l'olio in un contenitore.



- 5) Mettere il motore in posizione orizzontale, e rabboccare gradualmente l'olio fino al segno del limite superiore usando olio nuovo.
- 6) Dopo il rabbocco, stringere saldamente il tappo dell'olio in modo che non si allenti e causi perdite.
Se il tappo dell'olio non è correttamente serrato, potrebbero verificarsi perdite d'olio.

INFORMAZIONI UTILI SULL'OLIO

- L'olio motore sostituito non deve mai essere gettato nella spazzatura, nel terreno o in un tombino. Lo smaltimento dell'olio è regolamentato dalle leggi. Per lo smaltimento attenersi sempre a leggi e regolamenti in vigore. Per qualsiasi informazione, rivolgersi a un Centro di Assistenza autorizzato.
- L'olio si deteriora anche se rimane inutilizzato. Eseguire l'ispezione e la sostituzione a intervalli regolari (sostituire con olio nuovo ogni 6 mesi).



PULIZIA DEL FILTRO DELL'ARIA



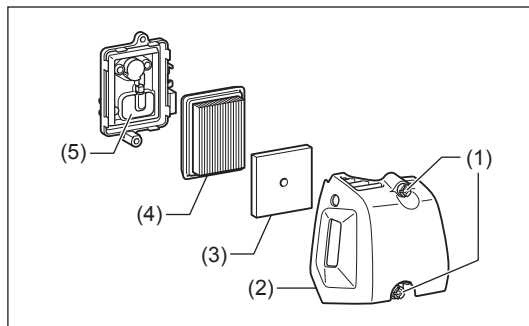
AVVERTIMENTO: Spegner il motore, allontanarsi dalle fiamme libere e non fumare.

Intervallo di pulizia ed ispezione: Quotidiana (ogni 10 ore di funzionamento)

- Ruotare la leva del dispositivo di avviamento in modo che sia completamente chiusa e tenere il carburatore lontano da polvere e sporcizia.

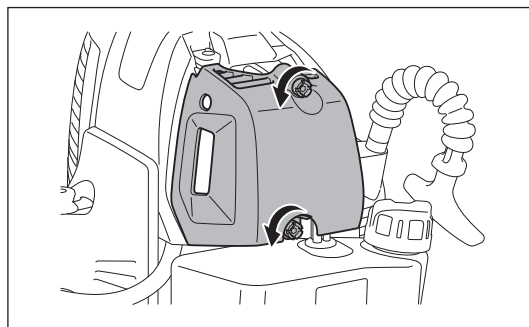
Rimozione del coperchio del filtro dell'aria

- Allentare i due bulloni di fissaggio (1).
- Tirare e rimuovere il coperchio del filtro dell'aria (2).



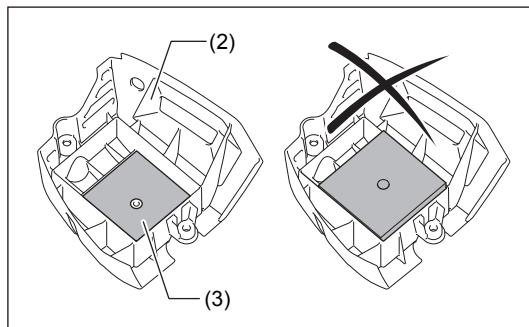
Pulizia dell'elemento

- Rimuovere gli elementi (3, 4) e picchiettarli per togliere la polvere.
- In caso di grave contaminazione:
 - 1) Rimuovere l'elemento (spugna) (3), immergerlo in acqua calda o in acqua dove si è diluito un detergente neutro, e asciugarlo completamente. Non strizzarlo o strofinarlo durante il lavaggio.
 - 2) Pulire l'elemento (carta) (4) picchiettandolo delicatamente. Se si ha la possibilità di usare una pistola di soffiaggio aria, soffiare l'aria compressa sulla parte interna dell'elemento (feltro). Non lavare l'elemento (carta).
- Prima di attaccare l'elemento (spugna), accertarsi che sia completamente asciutto. Se l'elemento (spugna) non è sufficientemente asciutto, potrebbe causare difficoltà di avviamento.
- Asciugare con uno straccio l'olio aderente al coperchio del filtro dell'aria e alla piastrina di separazione (5).



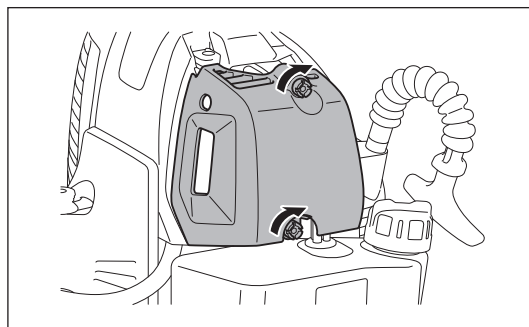
Montaggio del coperchio del filtro dell'aria

- Montare gli elementi (spugna e carta). Inserire completamente l'elemento (spugna) nel coperchio del filtro dell'aria.
- Chiudere il coperchio del filtro dell'aria con i due bulloni di fissaggio.



AVVISO:

- Pulire diverse volte al giorno gli elementi se sono molto impolverati. Gli elementi sporchi riducono la potenza del motore e ne rendono difficile l'avviamento.
- Rimuovere l'olio dagli elementi. Se si continua a usare gli elementi sporchi d'olio, l'olio nel filtro potrebbe fuoriuscire inquinando l'ambiente.
- Non posare gli elementi per terra o su una superficie sporca. Potrebbero altrimenti raccogliere sporcizia o detriti e danneggiare il motore.
- Per pulire gli elementi non si deve mai usare il carburante. Il carburante potrebbe danneggiarli.

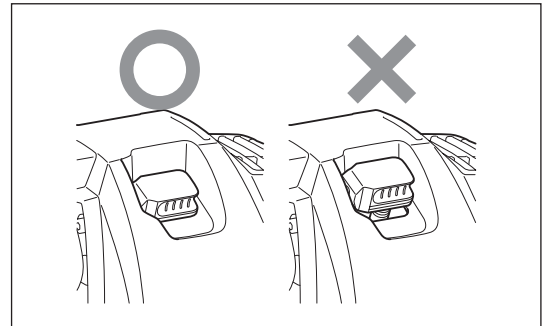
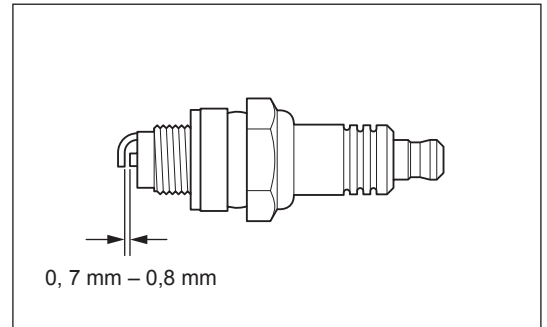


CONTROLLO DELLA CANDELA

- Usare esclusivamente la chiave universale in dotazione per rimuovere o montare la candela.
- La distanza tra i due elettrodi della candela deve essere di 0,7 – 0,8 mm. Se la distanza è superiore o inferiore a questo intervallo, è necessario regolarla. Se la candela è intasata o contaminata, pulirla completamente o sostituirla. Dopo il controllo, posizionare correttamente la candela come illustrato.

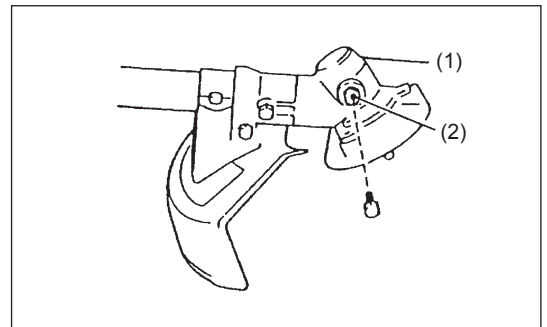
⚠ ATTENZIONE:

- Non toccare mai il connettore della candela mentre il motore è in funzione (pericolo di scossa elettrica ad alta tensione).



LUBRIFICAZIONE DELLA SCATOLA DEGLI INGRANAGGI

- Lubrificare con grasso (Shell Alvania 2 o equivalente) la scatola degli ingranaggi (1) attraverso il foro di lubrificazione (2) ogni 25 ore. (Il grasso DOLMAR genuino può essere acquistato da un rivenditore DOLMAR.)

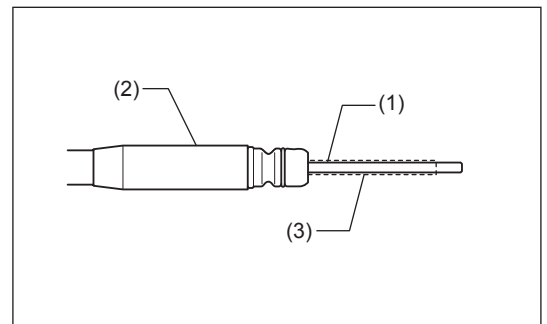


LUBRIFICAZIONE DEL TUBO FLESSIBILE

1. Rimuovere l'albero flessibile dalla scatola della frizione e l'albero diritto. Per rimuovere l'albero flessibile dalla scatola della frizione tirar su la manopola e rimuoverla. Per rimuovere l'albero flessibile dall'albero diritto, togliere il bullone e rimuoverlo.
2. Tirar fuori l'albero interno (1) dal tubo flessibile (2), e lubrificare con grasso (Shell Alvania 2 o equivalente) (3) l'albero interno ogni 25 ore. (Il grasso DOLMAR genuino può essere acquistato da un rivenditore DOLMAR.)

AVVISO:

- L'albero flessibile potrebbe rompersi se non viene lubrificato con grasso.
- Per una lunga vita di servizio delle parti, reinstallare ciascuna estremità dell'albero flessibile sul lato opposto, cioè installare sul lato della leva di controllo quello che prima era sul lato del motore.



PULIZIA DEL FILTRO DEL CARBURANTE

AVVERTIMENTO: DIVIETO DI UTILIZZO DI INFIAMMABILI

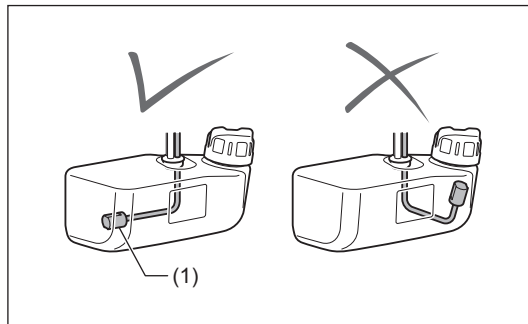
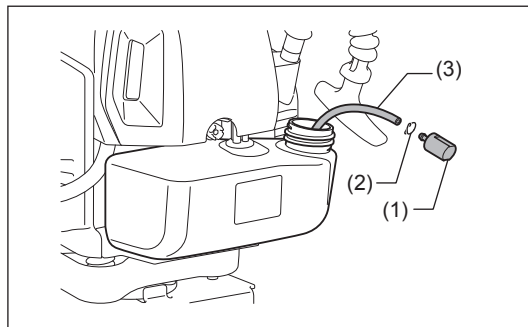
Intervallo di pulizia e di ispezione: Mensile (ogni 50 ore di utilizzo)

Testina di aspirazione nel serbatoio del carburante

Controllare periodicamente il filtro del carburante (1). Per controllare il filtro del carburante, seguire i passi sotto:

1. Rimuovere il tappo del serbatoio del carburante, e scaricare il carburante per svuotare il serbatoio. Controllare che all'interno del serbatoio non ci siano sostanze estranee. Rimuoverle se presenti.
2. Tirare fuori la testina di aspirazione usando un filo di ferro per agganciarla attraverso l'apertura del serbatoio.
3. Pulire il filtro del carburante se è leggermente intasato. Per pulirlo, agitarlo delicatamente picchiettandolo dentro il carburante. Non deve essere strizzato o strofinato, per evitare di danneggiarlo. Il carburante usato per la pulizia deve essere smaltito con il metodo specificato dalle norme locali in vigore. Sostituire il filtro del carburante se è duro o molto intasato.
4. Dopo il controllo, la pulizia o la sostituzione, inserire il filtro del carburante nel tubo del carburante (3) e fissarlo con il morsetto del tubo (2). Spingere il filtro del carburante fino in fondo al serbatoio del carburante.

Il filtro del carburante intasato o danneggiato causa una alimentazione insufficiente del carburante e riduce la potenza del motore. Sostituire il filtro del carburante almeno ogni tre mesi, in modo da assicurare una alimentazione soddisfacente del carburante al carburatore.



SOSTITUZIONE DEL TUBO DEL CARBURANTE

ATTENZIONE: DIVIETO DI UTILIZZO DI INFIAMMABILI

Intervallo di pulizia e di ispezione: Giornaliero (ogni 10 ore di utilizzo)

Sostituzione: Annuale (ogni 200 ore di utilizzo)

Sostituire ogni anno il tubo del carburante (1), indipendentemente dalla frequenza di utilizzo. La perdita di carburante potrebbe causare un incendio.

Se durante l'ispezione vengono rilevate perdite, sostituire immediatamente il tubo del carburante.

ISPEZIONE DEI BULLONI, DADI E VITI

- Serrare bulloni, dadi e viti allentati.
- Controllare che il tappo del carburante e il tappo dell'olio siano stretti saldamente. Controllare se ci sono perdite di carburante o di olio.
- Sostituire le parti danneggiate per garantire la sicurezza.

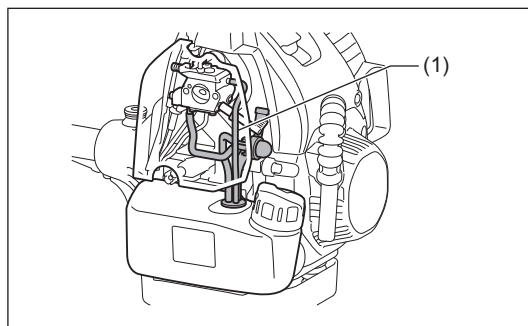
PULIZIA DELLE PARTI

- Tenere sempre pulito il motore strofinandolo con uno straccio.
- Togliere sempre la polvere e lo sporco dalle alette del cilindro. La polvere, o lo sporco, sulle alette causa il grippaggio del pistone.

SOSTITUZIONE DELLE GUARNIZIONI

Sostituire le guarnizioni se il motore è smontato.

Qualunque attività di manutenzione o regolazione non descritta nel presente manuale deve essere affidata ai rappresentanti autorizzati dell'assistenza.



MAGAZZINAGGIO

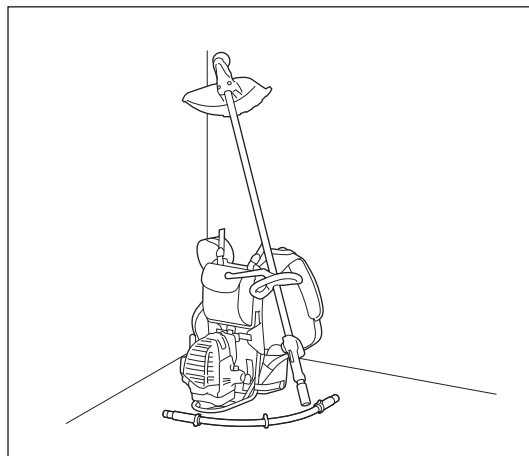


AVVERTIMENTO: Subito dopo lo spegnimento il motore è ancora caldo. Durante il drenaggio del carburante, attendere il tempo necessario affinché il motore si raffreddi dopo lo spegnimento. In caso contrario potrebbero verificarsi ustioni e/o incendi.



PERICOLO: In caso di inutilizzo prolungato dell'utensile, drenare tutto il carburante dal serbatoio e dal carburatore e conservare l'utensile in un ambiente pulito e asciutto.

- Scaricare il carburante dal serbatoio e dal carburatore attenendosi alla procedura riportata di seguito:
 - 1) Rimuovere il tappo del serbatoio del carburante, e scaricare completamente il carburante.
Se nel serbatoio rimangono corpi estranei, rimuoverli completamente.
 - 2) Tirare fuori il filtro del carburante dal foro di rabbocco usando un filo di ferro.
 - 3) Premere la pompa di adescamento finché resta senza carburante, e scaricare il carburante che entra nel serbatoio del carburante.
 - 4) Mettere il filtro nel serbatoio del carburante, e stringere saldamente il tappo del serbatoio del carburante.
 - 5) Continuare poi a far funzionare il motore finché si arresta.
- Staccare la candela e lasciar cadere diverse gocce di olio motore nel foro della candela.
- Tirare delicatamente l'impugnatura di avviamento per far circolare l'olio nel motore, quindi inserire la candela.
- Fissare il coperchio alla lama.
- In generale, riporre l'utensile come illustrato. Fare molta attenzione a come riporre l'utensile, per evitare la caduta dell'albero diritto. In caso contrario potrebbero verificarsi danni alla persona.
- Conservare il carburante scaricato in un contenitore speciale posto in un ambiente ben aerato.



Attenzione dopo una lunga conservazione

- Prima di riavviare l'utensile dopo che non è stato usato per un lungo periodo di tempo, ricordarsi di sostituire l'olio (vedere a pag. 107). L'olio si deteriora durante il tempo che l'utensile rimane inutilizzato.

Tempo di funzionamento Componente		Prima dell'uso	Dopo il rifornimento	Ogni giorno (10 ore)	25 ore	50 ore	200 ore	Prima dello stoccaggio	P corrispondente
Olio motore	Ispezionare	○							98
	Sostituire					○*1			107
Serraggio dei componenti (bullone, dado)	Ispezionare	○							110
Serbatoio del carburante	Pulire/ ispezionare	○							—
	Scaricare il carburante							○*3	111
Leva dell'acceleratore	Controllare il funzionamento		○						—
Interruttore di arresto	Controllare il funzionamento		○						107
Utensile da taglio	Ispezionare	○		○					97
Velocità al minimo	Controllare/ regolare			○					104
Filtro dell'aria	Pulire			○					108
Candela	Ispezionare			○					109
Passaggio dell'aria di raffreddamento e alette del cilindro	Pulire/ ispezionare			○					110
Tubo del carburante	Ispezionare			○					110
	Sostituire						◎*2		110
Grasso della scatola degli ingranaggi	Rifornire				○				109
Albero flessibile	Lubrificare/ cambiare la direzione di installazione				○				109
Filtro del carburante	Pulire/ sostituire					○			110
Gioco della valvola (valvola di ingresso e valvola di scarico)	Controllare/ regolare						◎*2		—
Carburatore	Scaricare il carburante							○*3	111

*1 Eseguire la sostituzione iniziale dopo 20 ore di utilizzo.

*2 Per l'ispezione dopo 200 ore di utilizzo, rivolgersi a un Centro di Assistenza autorizzato o a un'officina.

*3 Dopo aver svuotato il serbatoio del carburante, continuare a far funzionare il motore per scaricare il carburante dal carburatore.

RISOLUZIONE DEI PROBLEMI

Procedere sempre a un controllo prima di richiedere una riparazione. Se viene rilevata un'anomalia, controllare l'utensile secondo la descrizione riportata nel presente manuale. Non smontare o manomettere le parti non indicate nella descrizione. Per le riparazioni, rivolgersi a un Centro di Assistenza o a un rivenditore locale autorizzati.

Anomalia	Probabile causa (problema di funzionamento)	Soluzione
Il motore non parte.	Interruttore I-O posizionato su STOP.	Posizionare l'interruttore I-O per l'AVVIAMENTO del motore.
	La pompa di adescamento non è stata azionata.	Premerla da 7 a 10 volte.
	La corda di avviamento è stata tirata lentamente.	Tirlarla con forza.
	Mancanza di carburante.	Alimentare il carburante.
	Filtro del carburante intasato.	Pulirlo.
	Tubo del carburante storto.	Raddrizzarlo.
	Carburante contaminato.	Il carburante contaminato rende più difficile l'avviamento. Sostituire con carburante nuovo. (Sostituzione consigliata: 1 mese)
	Aspirazione eccessiva di carburante.	Regolare la leva dell'acceleratore dalla velocità media a quella alta, e tirare la maniglia di avviamento finché il motore parte. Dopo la partenza del motore, l'attrezzo da taglio comincia a ruotare. Prestare la massima attenzione all'attrezzo da taglio. Se il motore ancora non parte, rimuovere la candela, asciugare gli elettrodi e rimontarla come prima. Avviare poi il motore nel modo specificato.
	Cappello della candela staccato.	Attaccarlo saldamente.
	Candela contaminata.	Pulirlo.
	Distanza tra gli elettrodi della candela anormale.	Regolare la distanza.
	Altra condizione anormale della candela.	Sostituirla.
	Carburatore anormale.	Richiedere l'ispezione e la manutenzione.
Impossibile tirare la corda di avviamento.	Richiedere l'ispezione e la manutenzione.	
Sistema di trasmissione anormale.	Richiedere l'ispezione e la manutenzione.	
Il motore si ferma subito. La velocità del motore non aumenta.	Riscaldamento insufficiente.	Eseguire l'operazione di riscaldamento.
	La leva dell'aria è regolata sulla posizione di CHIUSURA anche se il motore è caldo.	Regolarla sulla posizione di APERTURA.
	Filtro del carburante intasato.	Pulirlo.
	Filtro dell'aria contaminato o intasato.	Pulirlo.
	Carburatore anormale.	Richiedere l'ispezione e la manutenzione.
	Sistema di trasmissione anormale.	Richiedere l'ispezione e la manutenzione.
La lama in metallo non ruota. ↓ Arrestare immediatamente il motore.	Dado della lama in metallo allentato.	Stringerlo saldamente.
	Ramoscelli raccolti dalla lama o dal coperchio anti-dispersione.	Rimuovere i corpi estranei.
	Sistema di trasmissione anormale.	Richiedere l'ispezione e la manutenzione.
L'unità principale vibra in modo anormale. ↓ Arrestare immediatamente il motore.	Lama in metallo rotta, storta o usurata.	Sostituirla.
	Dado della lama in metallo allentato.	Stringerlo saldamente.
	Parte convessa della lama e del relativo raccordo di supporto in posizione non corretta.	Attaccarlo saldamente.
	Sistema di trasmissione anormale.	Richiedere l'ispezione e la manutenzione.
La lama in metallo non si arresta immediatamente. ↓ Arrestare immediatamente il motore.	Rotazione alta del minimo del motore.	Regolarla.
	Filo dell'acceleratore staccato.	Attaccarlo saldamente.
	Sistema di trasmissione anormale.	Richiedere l'ispezione e la manutenzione.
Il motore non si arresta. ↓ Far girare il motore al minimo, e regolare la leva dell'aria sulla posizione di CHIUSURA.	Connettore staccato.	Attaccarlo saldamente.
	Sistema elettrico anormale.	Richiedere l'ispezione e la manutenzione.

Hartelijk dank voor uw aankoop van dit gemotoriseerd tuingereedschap van DOLMAR. Met trots bevelen wij u dit gereedschap van DOLMAR van harte aan als resultaat van een langdurig ontwikkelingsprogramma en jarenlange kennis en ervaring.

Lees deze handleiding met daarin nauwkeurige beschrijvingen van de diverse punten die zijn hoogstaande prestaties demonstreren. Hierdoor bent u in staat de best mogelijke resultaten te behalen die het gereedschap van DOLMAR u kan bieden.








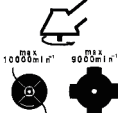













Inhoud

Pagina

Symbolen.....	114
Veiligheidsinstructies	115
Technische gegevens	119
Namen van onderdelen	120
De handgreep monteren.....	121
De flexibele schacht monteren	122
De beschermkap monteren	123
Het metalen snijblad of de nylondraad-snijkop monteren	125
Vóór het begin van het werk.....	126
Correct omgaan met het gereedschap	128
De motor starten en stoppen	130
Het snijgarnituur slijpen	133
Onderhoudsinstructies.....	135
Opslag	139
Problemen oplossen.....	141

SYMBOLLEN

Let op de volgende symbolen wanneer u de gebruiksaanwijzing leest.

	Lees de gebruiksaanwijzing en volg de waarschuwingen en veiligheidsvoorzorgsmaatregelen op!		Houd mensen en huisdieren weg van het werkgebied!
	Besteed bijzondere zorg en aandacht!		Draag een veiligheidshelm, gezichts- en gehoorbescherming!
	Verboden!		Toegestaan maximumtoerental
	Houd afstand!		Brandstof (benzine)
	Gevaar voor rondvliegende voorwerpen!		Motor handmatig starten
	Terugslag!		Noodstop
	Verboden te roken!		EHBO
	Geen open vuur!		AAN/START
	Veiligheidshandschoenen vereist!		UIT/STOP
	Draag stevige schoenen met antislipzolen. Veiligheidsschoenen met stalen neuzen worden aanbevolen.		

VEILIGHEIDSINSTRUCTIES

Algemene instructies

- Lees deze gebruiksaanwijzing om u bekend te maken met de juiste manier van omgaan met het gereedschap. Gebruikers die onvoldoende geïnformeerd zijn, lopen de kans zichzelf en anderen in gevaar te brengen als gevolg van onjuist hanteren.
- Het verdient aanbeveling het gereedschap uitsluitend uit te lenen aan mensen die bewezen hebben ervaren te zijn. Geef altijd de gebruiksaanwijzing mee.
- Onervaren gebruikers dienen de dealer te vragen om basisinstructies om zichzelf bekend te maken met het omgaan met een bosmaaier.
- Laat geen kinderen of jonge mensen die jonger zijn dan 18 jaar met het gereedschap werken. Jongeren die ouder zijn dan 16 jaar mogen echter het gereedschap gebruiken om te oefenen terwijl ze onder toezicht staan van een gekwalificeerde begeleider.
- Gebruik het gereedschap met de grootst mogelijke zorg en aandacht.
- Gebruik het gereedschap alleen als u in goede lichamelijke conditie bent. Werk altijd rustig en voorzichtig. De gebruiker is aansprakelijk ten opzichte van anderen.
- Gebruik dit gereedschap nooit na het gebruik van alcohol of drugs, of wanneer u zich moe of ziek voelt.
- Het gebruik van het gereedschap kan landelijk gereguleerd zijn.

Bedoeld gebruik van het gereedschap

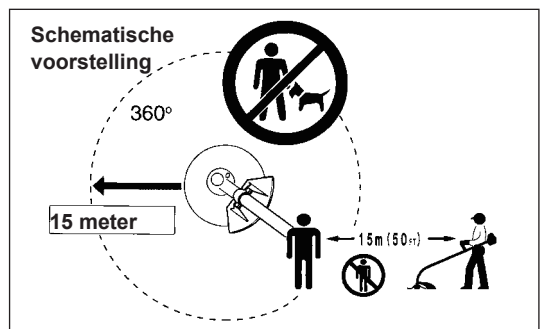
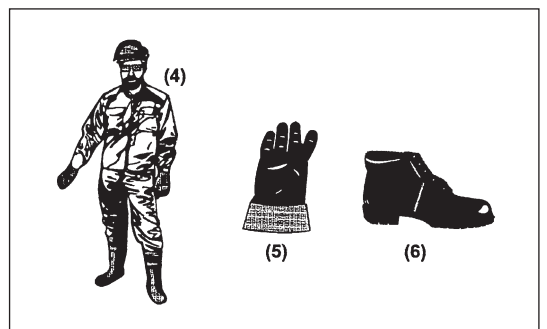
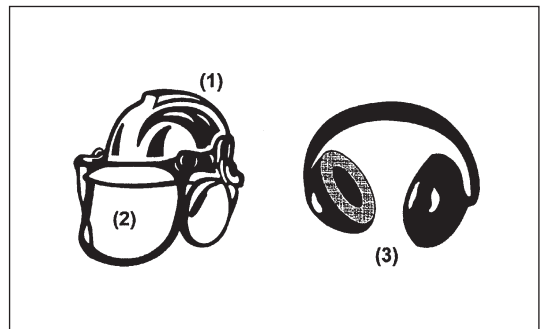
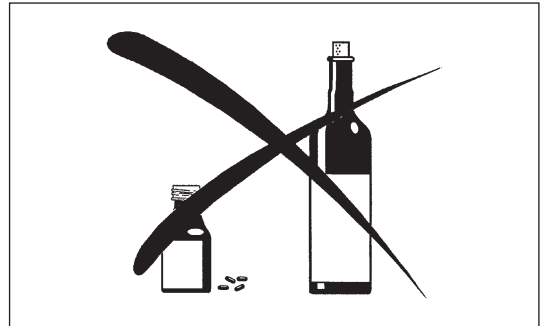
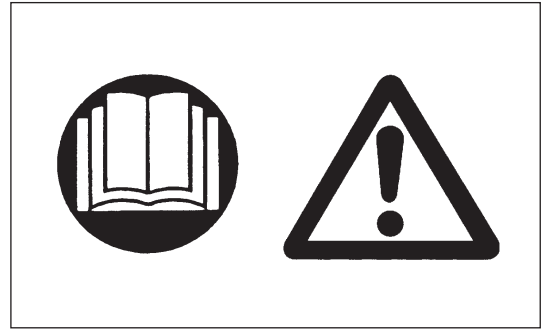
- Het gereedschap is uitsluitend bedoeld voor het maaien van gras, onkruid, struiken en ondergroei. Het mag niet worden gebruikt voor enig ander doel, zoals randen bijwerken of heggen snoeien, aangezien dit tot letsel kan leiden.

Persoonlijke-veiligheidsuitrusting

- De te dragen kleding dient functioneel en geschikt te zijn, d.w.z. nauwsluitend zonder te hinderen. Draag geen juwelen of kleding die in de struiken kunnen verstrikt raken.
- Om tijdens het gebruik letsels aan hoofd, ogen, handen of voeten te voorkomen en uw gehoor te beschermen, moeten de volgende veiligheidsuitrusting en beschermende kleding worden gebruikt terwijl u werkt.
- Draag altijd een helm wanneer het risico bestaat op vallende objecten. U moet de veiligheidshelm (1) regelmatig controleren op schade en uiterlijk na 5 jaar worden vervangen. Gebruik alleen goedgekeurde veiligheidshelmen.
- Het spatscherm (2) van de helm (of de veiligheidsbril) beschermt het gezicht tegen rondvliegend afval en opspringende stenen. Draag tijdens het gebruik altijd een veiligheidsbril of een spatscherm om letsel aan de ogen te voorkomen.
- Draag geschikte uitrusting om u te beschermen tegen het lawaai en gehoorbeschadiging te voorkomen (oorbeschermers (3), oordopjes, enz.).
- Een werkoverall (4) beschermt tegen rondvliegend afval en opspringende stenen. Wij raden u sterk aan een werkoverall te dragen.
- Handschoenen (5) maken deel uit van de voorgeschreven uitrusting en moeten altijd worden gedragen tijdens het gebruik.
- Draag tijdens gebruik van het gereedschap altijd stevige schoenen (6) met een antislipzool. Dit beschermt u tegen letsel en garandeert dat u stevig staat.

De bosmaaier starten

- Controleer of er geen kinderen of andere mensen aanwezig zijn binnen een werkbereik van 15 meter en let ook of er geen dieren in de werkomgeving zijn.
- Controleer voor gebruik altijd of het gereedschap veilig is om te gebruiken. Controleer de bevestiging van het snijgereedschap, controleer of de gashendel gemakkelijk kan worden bediend, en controleer of de gashendelvergrendeling goed werkt.
- Het snijgereedschap mag niet draaien bij stationair motortoerental. Neem bij twijfel contact op met uw dealer voor afstelling. Controleer of de handgrepen schoon en droog zijn en test de werking van de aan-uitschakelaar.

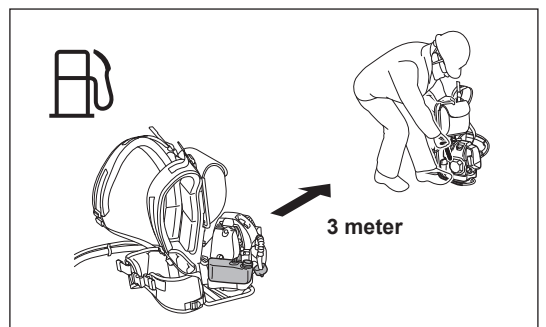
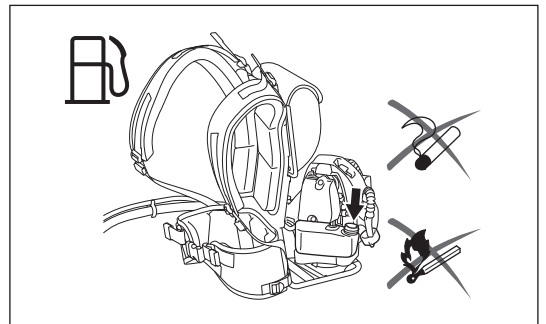
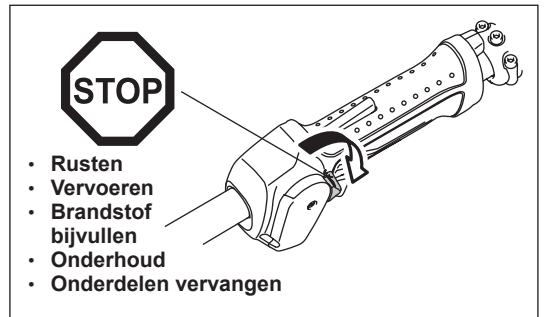
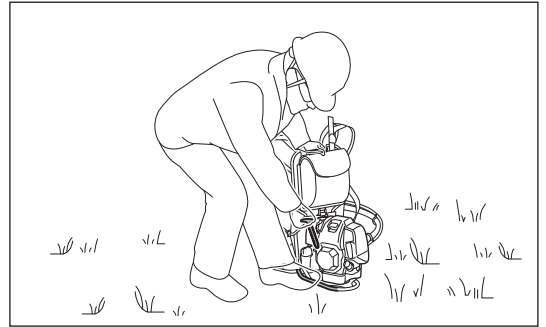


Start de bosmaaier alleen in overeenstemming met de instructies.

- Gebruik geen enkele andere methode om de motor te starten!
- Gebruik de bosmaaier en de gereedschappen uitsluitend voor de beschreven toepassingen.
- Start de motor alleen nadat deze volledig is gemonteerd. Het gereedschap mag uitsluitend worden gebruikt nadat alle toepasselijke toebehoren zijn gemonteerd!
- Controleer vóór het starten of het snijgereedschap geen contact maakt met harde voorwerpen, zoals takken, stenen, enz., omdat tijdens het starten het snijgereedschap zal ronddraaien.
- De motor moet onmiddellijk uitgeschakeld worden in geval van enige motorstoring.
- Als het snijgereedschap stenen of andere harde voorwerpen raakt, moet u de motor onmiddellijk uitschakelen en het snijgereedschap controleren.
- Controleer het snijgereedschap regelmatig op beschadiging (inspecteren op haarscheurtjes met de klopgeluidentest).
- Nadat tegen het gereedschap is gestoten of het is gevallen, controleert u de conditie van het gereedschap voordat u de werkzaamheden hervat. Controleer het brandstofsysteem op brandstoflekkage, en de bedieningselementen en veiligheidsvoorzieningen op een juiste werking. Als enige beschadiging zichtbaar is of u twijfelt, vraagt u ons erkende servicecentrum om inspectie en reparatie.
- Gebruik het gereedschap alleen terwijl het bevestigd is aan het draagstel, dat goed moet worden afgesteld voordat de bosmaaier wordt gebruikt. Het is belangrijk het draagstel af te stellen op de lichaamsgrootte van de gebruiker om vermoeidheid tijdens gebruik te voorkomen. Houd het multifunctionele aandrijfsysteem nooit met slechts één hand vast tijdens het gebruik.
- Houd tijdens gebruik de bosmaaier altijd met twee handen vast. Zorg er altijd voor dat u stevig staat.
- Gebruik het gereedschap zo, dat u geen uitlaatgassen kunt inademen. Laat de motor nooit draaien in een gesloten vertrek (kans op gasverstikking). Koolmonoxide is een reukloos gas.
- Schakel de motor uit tijdens pauzes en wanneer u het gereedschap onbeheerd achterlaat, en leg hem op een veilige plaats om gevaar voor anderen en beschadiging van het gereedschap te voorkomen.
- Leg nooit een warme bosmaaier op droog gras of enige andere ontvlambare materialen.
- Monteer altijd een goedgekeurde beschermkap voor het snijgereedschap op het gereedschap voordat u de motor start. Anders kan door aanraking van het snijgereedschap ernstig letsel worden veroorzaakt.
- Alle beschermingsinrichtingen en beschermkappen die bij het gereedschap werden geleverd, moeten worden gebruikt tijdens bedrijf.
- Gebruik het gereedschap nooit met een defecte uitlaatdemper.
- Schakel de motor uit tijdens het vervoer.
- Wanneer u het gereedschap vervoert, bevestigt u altijd de beschermkap op het metalen blad.
- Leg tijdens vervoer per auto het gereedschap op een veilige plaats om te voorkomen dat er brandstof uit lekt.
- Wanneer u het gereedschap vervoert, moet u ervoor zorgen dat de brandstoftank helemaal leeg is.
- Let erop dat bij het uitladen van het gereedschap uit de auto de motor niet op de grond valt omdat hierdoor de brandstoftank ernstig kan worden beschadigd.
- Behalve in noodgevallen mag u het gereedschap nooit op de grond laten vallen of weggooien omdat hierdoor het gereedschap zwaar beschadigd kan raken.

Brandstof bijvullen

- Schakel de motor uit alvorens brandstof bij te vullen, blijf uit de buurt van open vuur en rook niet.
- Vermijd huidcontact met minerale-olieproducten. Adem de brandstofdampen niet in. Draag altijd veiligheidshandschoenen tijdens het bijvullen van de brandstof. Zorg dat u de beschermende kleding regelmatig vervangt en reinigt.
- Wees voorzichtig geen brandstof of olie te morsen om bodemverontreiniging te voorkomen (milieubescherming). Reinig de bosmaaier onmiddellijk nadat brandstof erop is gemorst.
- Vermijd dat brandstof in aanraking komt met uw kleding. Kleed u onmiddellijk om als brandstof op uw kleding is gemorst (om te voorkomen dat de kleding vlam vat).
- Inspecteer de brandstofvuldop regelmatig om zeker te zijn dat de dop stevig kan worden aangedraaid en niet lekt.
- Draai de brandstofvuldop stevig vast. Verplaats het gereedschap voordat u de motor start (tenminste 3 meters afstand tot de plaats waar brandstof is bijgevuld.)
- Vul nooit brandstof bij in een gesloten vertrek. Brandstofdampen verzamelen zich vlak boven de vloer (risico van explosie).
- Vervoer en bewaar brandstof alleen in goedgekeurde tanks. Zorg dat de opgeslagen brandstof niet toegankelijk is voor kinderen.
- Vul altijd brandstof bij op een vlakke en stabiele ondergrond om het morsen van brandstof te voorkomen.



Gebruiksmethode

- Gebruik het gereedschap alleen bij goed licht en zicht. Wees in de winter bedacht op gladde of natte plaatsen, ijs en sneeuw (gevaar voor uitglijden). Zorg er altijd voor dat u stevig staat.
- Werk nooit boven heuphoogte.
- Werk nooit vanaf een ladder.
- Klim nooit in een boom om daar met het gereedschap te werken.
- Werk nooit op een instabiele ondergrond.
- Verwijder zand, stenen, nagels, enz. die u binnen uw werkbereik vindt. Vreemde voorwerpen kunnen het snijgarnituur beschadigen en gevaarlijke terugslagen veroorzaken.
- Voordat u begint te werken, moet het snijgarnituur op maximaal toerental draaien.
- Bij gebruik van een metalen snijblad, zwaait u het gereedschap gelijkmatig in halve cirkels van rechts naar links, zoals een zeis wordt gebruikt. Als gras of takken bekneld raken tussen het snijgarnituur en de beschermkap, zet u altijd de motor uit voordat u ze verwijdert. Anders kan door onbedoeld draaien van het snijblad ernstig letsel ontstaan.
- Neem een pauze om te voorkomen dat u door vermoeidheid de controle over het gereedschap verliest. Wij adviseren u ieder uur 10 tot 20 minuten te rusten.
- Laat het snijgarnituur tijdens bedrijf niet de grond raken. Anders kan het snijgarnituur een voorwerp raken, waardoor persoonlijk letsel kan worden veroorzaakt.
- Houd het metalen snijblad tijdens bedrijf parallel aan de grond.

Snijgarnituren

- Gebruik een geschikt snijgarnituur voor de geplande werkzaamheden. Nylondraad-snijkoppen (graskantmaaikoppen) zijn geschikt voor het maaien van gazon gras. Metalen snijbladen zijn geschikt voor het maaien van onkruid, hoog gras, struiken, heesters, ondergroei, bosjes en dergelijke. Gebruik nooit andere snijbladen, waaronder metalen meerdelige kettingen en vlegelmessen. Als u zich hier niet aan houdt, kan ernstig letsel ontstaan.
- Bij gebruik van een metalen snijblad voorkomt u dat "terugslag" kan optreden en bent u altijd voorbereid op per ongeluk optredende terugslag. Raadpleeg het hoofdstuk "Terugslag".

Terugslag (stoot van het snijblad)

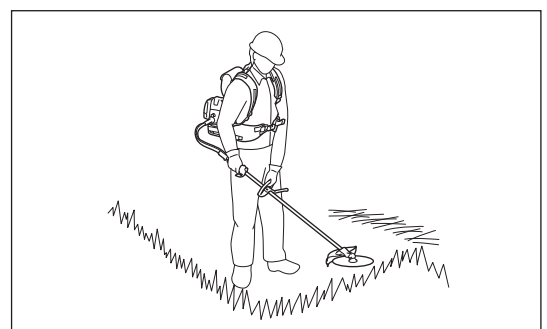
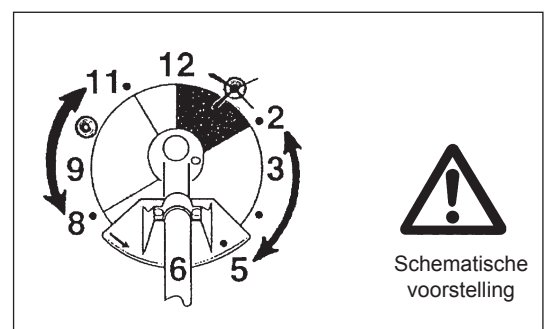
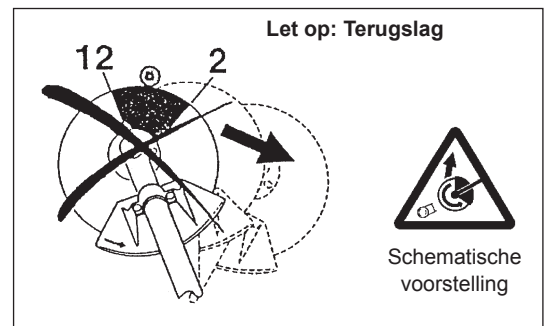
- Terugslag (stoot van het snijblad) is een plotselinge reactie op een klemzittend of vastgelopen metalen snijblad. Zodra dit optreedt wordt het gereedschap met grote kracht zijwaarts of in de richting van de gebruiker geworpen en kan het ernstig letsel veroorzaken.
- Terugslag treedt met name op wanneer u met het snijbladsegment tussen 12 en 2 uur tegen een hard voorwerp, struiken en takken met een diameter van 3 cm of meer komt.
- Om terugslag te voorkomen:
 - gebruikt u het snijbladsegment tussen 8 en 11 uur;
 - gebruikt u het snijbladsegment nooit tussen 12 en 2 uur;
 - gebruikt u het snijbladsegment nooit tussen 11 en 12 uur en tussen 2 en 5 uur, behalve indien de gebruiker goed opgeleid en erg ervaren is en dit onder zijn/haar eigen verantwoordelijkheid doet.
 - Gebruik het metalen blad nooit dichtbij harde voorwerpen, zoals afrasteringen, muren, boomstammen en stenen.
 - Houd het metalen blad nooit verticaal voor werkzaamheden zoals het maaien van graskanten of snoeien van heggen.

Trillingen

- Personen met een slechte bloedsomloop die worden blootgesteld aan sterke trillingen, kunnen verwondingen aan bloedvaten of het zenuwstelsel oplopen. Trillingen kunnen de volgende symptomen veroorzaken in de vingers, handen of polsen: "slapen" (ongevoeligheid), tintelingen, pijn, stekend gevoel, veranderen van huidskleur of van de huid. Als een van deze symptomen zich voordoet, raadpleegt u uw huisarts!
- Om de kans op deze "witte-vingerziekte" te verkleinen, houdt u uw handen warm tijdens het werk en onderhoudt u het gereedschap en de accessoires goed.

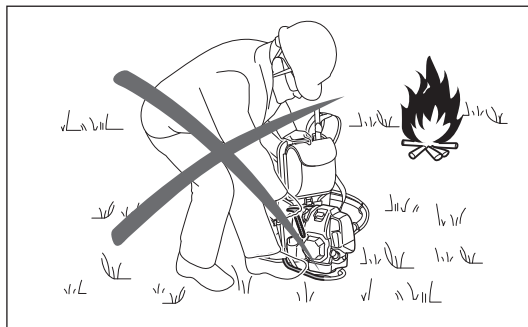
Onderhoudsinstructies

- Laat uw gereedschap onderhouden door ons erkende servicecentrum dat altijd uitsluitend gebruikmaakt van originele vervangingsonderdelen. Onjuiste reparatie en slecht onderhoud kan de levensduur van het gereedschap verkorten en de kans op ongevallen vergroten.
- De toestand van de maaier, met name van het snijgarnituur en de veiligheidsuitrusting, maar ook van het draagstel, moet worden gecontroleerd voor aanvang van de werkzaamheden. Besteed bijzondere aandacht aan het metalen snijblad dat correct moeten zijn geslepen.
- Schakel de motor uit en trek de bougiekap eraf wanneer u het snijgarnituur vervangt of slijpt, en wanneer u de maaier of het snijgarnituur schoonmaakt.



Probeer nooit beschadigde snijgereedschappen recht te trekken of te lassen.

- Denk aan het milieu. Vermijd onnodig gebruik van de gashendel zodat minder uitlaatgassen en geluid worden geproduceerd. Stel de carburateur goed af.
- Maak het gereedschap regelmatig schoon en controleer of alle bouten en moeren stevig zijn vastgedraaid.
- Onderhoud of bewaar het gereedschap niet in de buurt van open vuur.
- Bewaar het gereedschap altijd in een afgesloten ruimte en met een lege brandstoftank.
- Wanneer u het gereedschap reinigt, onderhoudt of opbergt, bevestigt u altijd de beschermkap op het metalen blad.



Volg de relevante instructies voor het voorkomen van ongevallen die door de betreffende beroepsverenigingen en verzekeringsmaatschappijen zijn uitgegeven.

Breng geen wijzigingen aan het gereedschap aan, omdat hiermee uw veiligheid gevaar loopt.

Het uitvoeren van onderhoud of reparaties door de gebruiker is begrensd tot de activiteiten die in de gebruiksaanwijzing zijn beschreven. Alle andere werkzaamheden moet worden uitgevoerd door een erkend servicecentrum. Gebruik alleen originele reserveonderdelen en accessoires die zijn vervaardigd en geleverd door DOLMAR.

Het gebruik van niet-goedgekeurde accessoires en gereedschappen leidt tot een verhoogde kans op ongevallen.

DOLMAR aanvaardt geen enkele aansprakelijkheid voor ongevallen of schade veroorzaakt door het gebruik van niet-goedgekeurde snijgereedschappen, bevestigingsmiddelen voor snijgereedschappen of accessoires.

EHBO

Zorg dat er altijd een EHBO-does beschikbaar is in de buurt waar er wordt gemaaid om eerste hulp te bieden bij eventuele ongevallen. Vervang onmiddellijk elk item dat uit de EHBO-does is genomen.

Geef de volgende informatie wanneer u hulp inroept:

- Plaats van het ongeval
- Beschrijving van het ongeval
- Aantal gewonden
- Soort letsels
- Uw naam



Alleen voor Europese landen

EG-verklaring van conformiteit

Makita verklaart dat de volgende machine(s):

Aanduiding van de machine: Ruggedragen benzinebosmaaier
Modelnr./Type: MS-4300.4 R

Voldoen aan de volgende Europese richtlijnen:

2000/14/EG en 2006/42/EG

Deze zijn gefabriceerd in overeenstemming met de volgende normen of genormaliseerde documenten:

EN ISO 11806-2

Het technische bestand volgens 2006/42/EG is verkrijgbaar bij:

Makita, Jan-Baptist Vinkstraat 2, 3070, België

De conformiteitsbeoordelingsprocedure vereist door Richtlijn 2000/14/EG was in overeenstemming met annex V.

(Met nylondraad-snijkop)

Gemeten geluidsvermogeniveau: 110,6 dB

Gegarandeerd geluidsvermogeniveau: 111 dB

(Met een snoeiblad)

Gemeten geluidsvermogeniveau: 104,1 dB

Gegarandeerd geluidsvermogeniveau: 105 dB

1.9.2014



Yasushi Fukaya
Directeur

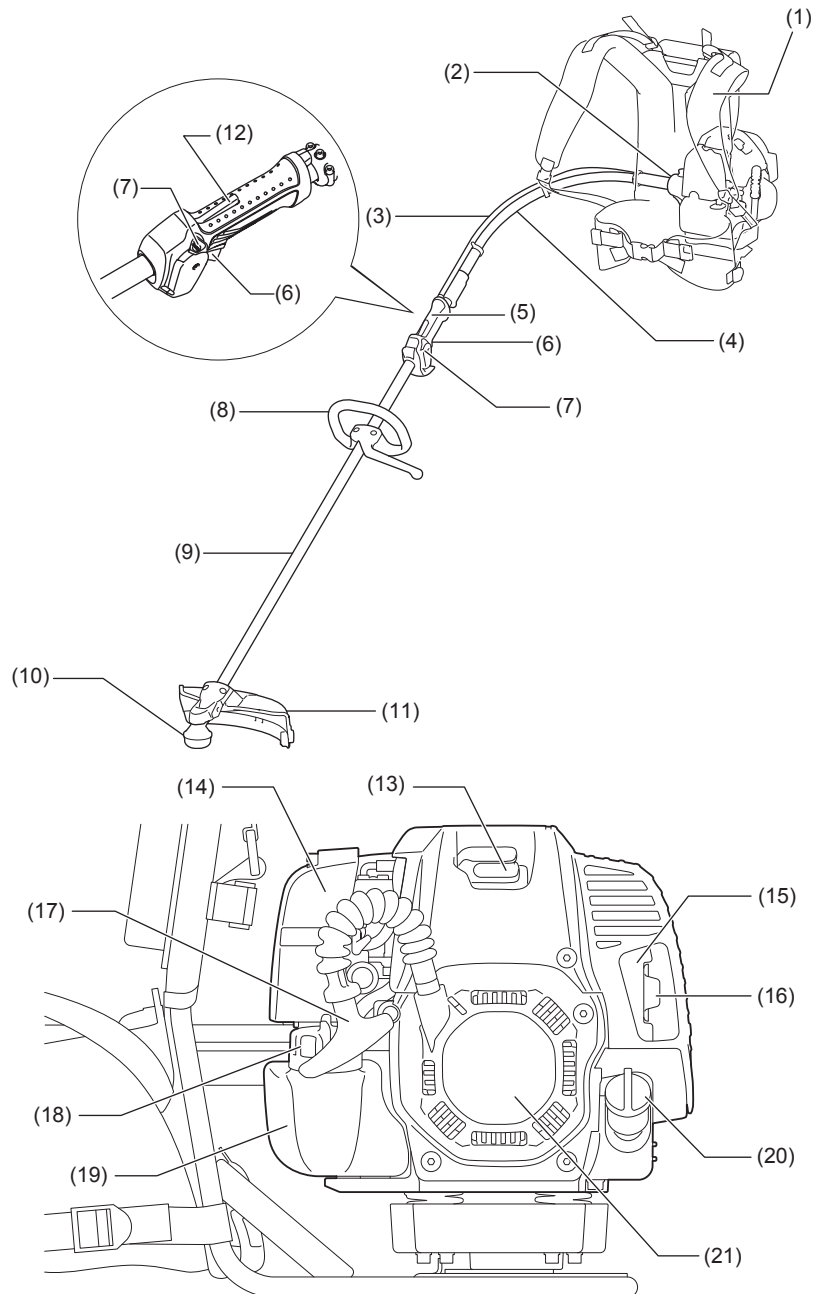
Makita, Jan-Baptist Vinkstraat 2, 3070, België

TECHNISCHE GEGEVENS

Model		MS-4300.4 R		
Type handgreep		Beugelhandgreep		
Afmetingen: lengte x breedte x hoogte (zonder flexibel / recht schachtdeel)	mm	358 x 280 x 587		
Gewicht (zonder kunststofbeschermer en snijgarnituur)	kg	12,0		
Volume (brandstoftank)	L	0,8		
Volume (olietank)	L	0,1		
Cilinderinhoud	cm ³	43,0		
Maximaal motorvermogen	kW	1,5 bij 7 500 min ⁻¹		
Motortoerental bij aanbevolen max. astoerental	min ⁻¹	10 500		
Maximaal astoerental (bijbehorend)	min ⁻¹	7 200		
Stationair toerental	min ⁻¹	3 000		
Toerental op aangrijppunt van koppeling	min ⁻¹	4 000		
Carburateur		Membraantype		
Bougie	type	NGK CMR6A		
Elektrodenafstand	mm	0,7 – 0,8		
		SNIJBLAD	NYLONDRAAD-SNIJKOP	
Trillingen volgens ISO 22867	Rechterhandgreep (Achterhandgreep)	$a_{hw\ eq}$ m/s ²	2,7	2,4
		Onzekerheid (K) m/s ²	0,8	0,7
	Linkerhandgreep (Voorhandgreep)	$a_{hw\ eq}$ m/s ²	3,2	3,4
		Onzekerheid (K) m/s ²	1,7	1,0
Gemiddeld geluidsdrukniveau volgens ISO 22868	$L_{PA\ eq}$ dB (A)	83,5	92,5	
	Onzekerheid (K) dB (A)	1,1	1,7	
Gemiddeld geluidsvermogeniveau volgens ISO 22868	$L_{WA\ eq}$ dB (A)	104,1	110,6	
	Onzekerheid (K) dB (A)	1,1	0,7	
Brandstof		Benzine voor auto's		
Motorolie		Olie van API-classificatie, SF-klasse of beter, SAE 10W-30 (4-taktmotorolie voor auto's)		
Snijgarnituren (diameter snijblad)	mm	440 (met nylondraad-snijkop), 255 (met 3-tands snijblad), 257 (met 3-tands snijblad), 305 (met 2-tands snijblad)		
Overbrengingsverhouding van tandwielen		13/19		

- Als gevolg van ons doorlopende onderzoeks- en ontwikkelingsprogramma, zijn de technische gegevens van dit gereedschap onderhevig aan veranderingen zonder voorafgaande kennisgeving.
- De technische gegevens kunnen van land tot land verschillen.

NAMEN VAN ONDERDELEN



1. Draagstel	2. Koppelingshuis	3. Gaskabel	4. Flexibele schacht
5. Achterhandgreep	6. Gashendel	7. I-O-schakelaar (stop/start)	8. Handgreep
9. Rechte schacht	10. Tandwielhuis	11. Beschermkap van snijgarnituur	12. Uit-vergrendeling
13. Bougie	14. Luchtfilter	15. Uitlaatdemper	16. Uitlaatpijp
17. Trekstarthandgreep	18. Brandstofvuldop	19. Brandstoftank	20. Olievuldop
21. Trekstartinrichting			

DE HANDGREEP MONTEREN

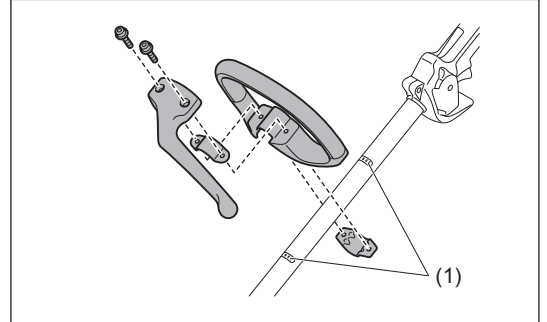
⚠ LET OP:

- Voordat u werkzaamheden uitvoert aan het gereedschap, moet u altijd de motor uitzetten en de bougiekap van de bougie aftrekken.
- Draag altijd veiligheidshandschoenen!

⚠ LET OP:

- Start de motor alleen nadat hij volledig is gemonteerd.

- Monteer de beugelhandgreep op de schacht met twee bouten.
- Om verzekerd te zijn van een correcte afstand tussen de handen, monteert u de handgreep tussen de pijlmarkeringen (1) op de schacht.



DE FLEXIBELE SCHACHT MONTEREN

De flexibele schacht monteren

1. Verwijder de bout (1) vanaf het uiteinde van de rechte schacht (2).
2. Verwijder de dop van de flexibele schacht.

OPMERKING:

- Raak de dop niet kwijt. Plaats de dop altijd terug wanneer de flexibele schacht wordt verwijderd.

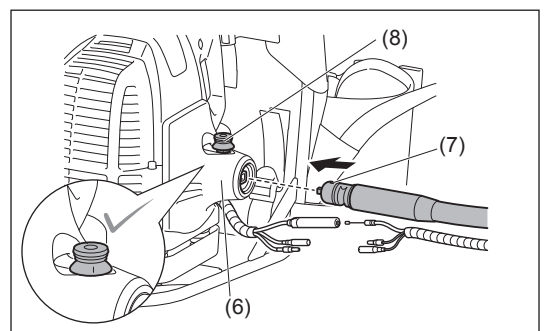
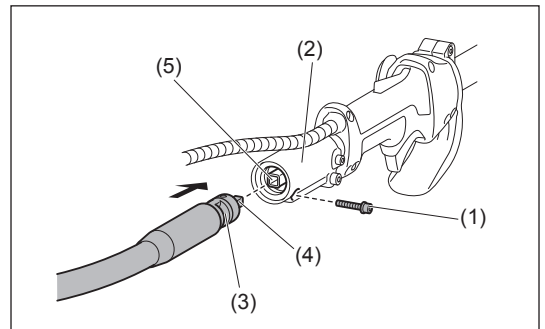
3. Draai de flexibele schacht zodat het holle deel (3) van de flexibele schacht omlaag wijst.
4. Lijn de vierkante binnenas (4) uit met de aansluitopening (5). Steek het uiteinde van de flexibele schacht helemaal in het uiteinde van de rechte schacht.
5. Bevestig ze aan elkaar met de bout (1).

KENNISGEVING:

- Als het moeilijk is om de flexibele schacht erin te steken, lijnt u de vierkante binnenas (4) opnieuw uit.
- Trek de binnenas niet meer dan 35 mm eruit.

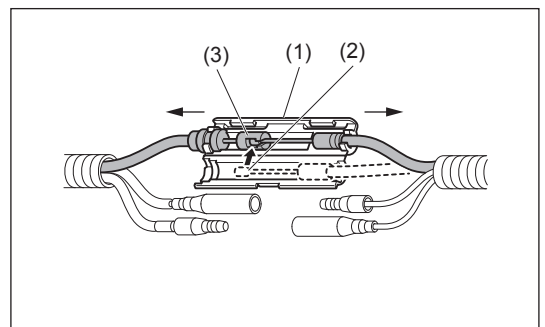
6. Lijn het gat (7), aan het andere uiteinde van de flexibele schacht, uit met de knop (8) van het koppelingshuis (6), en steek de flexibele schacht in het koppelingshuis.
7. Zorg ervoor dat de knop klikt wanneer de knop aangrijpt op het gat van de flexibele schacht.

Om de flexibele schacht los te maken van het koppelingshuis, trekt u de knop omhoog en verwijdert u de flexibele schacht.



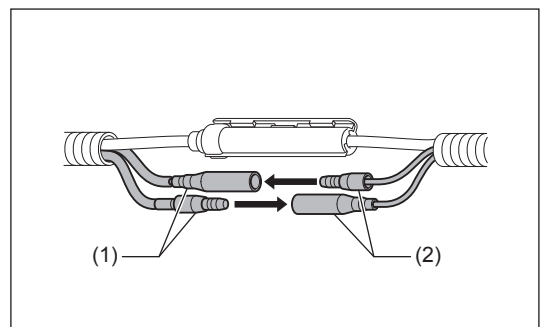
De bedieningskabel aansluiten

1. Bevestig het uiteinde van de bedieningskabel vanaf de bedieningshendel (2) aan het uiteinde van de bedieningskabel vanaf de motor (3).
2. Plaats de bedieningskabel vanaf de bedieningshendel in de stekker (1). Sluit daarna de stekker.
3. Controleer of de gasklep in de carburateur mee beweegt wanneer de gashendel wordt ingeknepen.



Het snoer aansluiten

Sluit de draden vanaf de motor (1) aan op de draden vanaf de bedieningshendel (2) door de mannelijke en vrouwelijke stekkers op elkaar aan te sluiten.

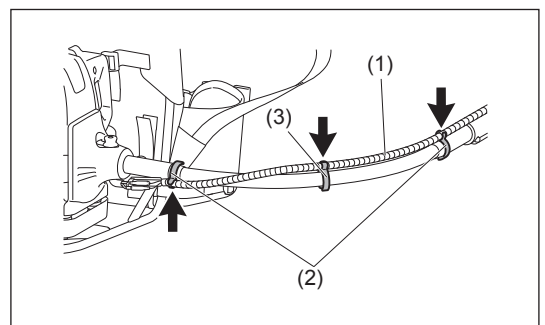


De bedieningskabel bevestigen

Bevestig de bedieningskabel (1) aan de flexibele schacht met behulp van de twee klemmen (2) en een andere klem (3), zoals afgebeeld.

⚠ LET OP:

- Zorg ervoor dat de bedieningskabel goed aan de flexibele schacht is bevestigd. Een loshangende kabel kan achter takken, enz., blijven haken en leiden tot persoonlijk letsel.
- Wikkel de bedieningskabel niet rond de flexibele schacht. Anders werkt de gashendel mogelijk niet goed.



DE BESCHERMKAP MONTEREN

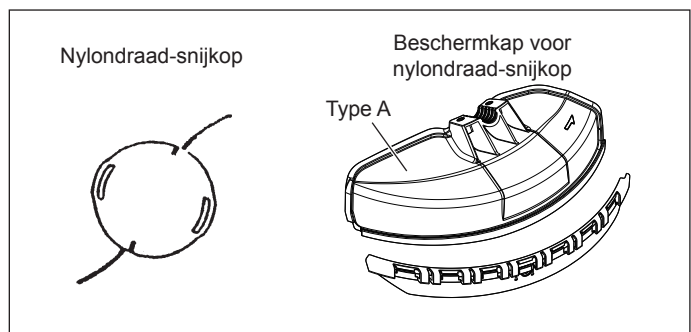
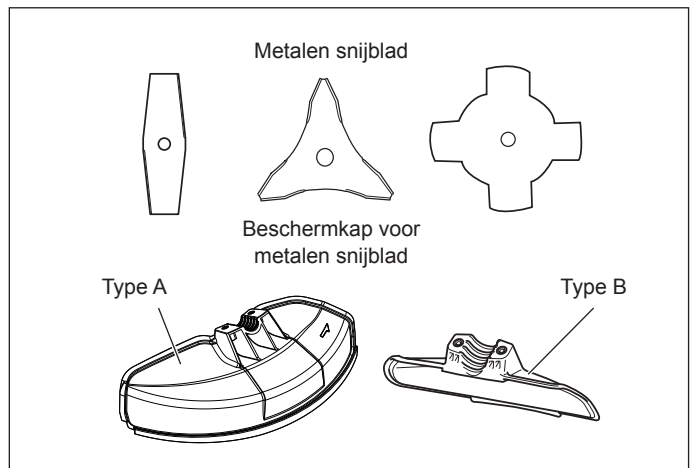
In naleving van de toepasselijke veiligheidsregels mogen uitsluitend de gereedschap/beschermkap-combinaties worden gebruikt die in de afbeelding worden aangegeven.

⚠ LET OP:

- Voor uw veiligheid en om te voldoen aan de voorschriften voor ongevallenpreventie, moet u altijd de geschikte beschermkap monteren.
- Het is verboden het gereedschap te gebruiken zonder dat de beschermkap is gemonteerd.
- Gebruik geen andere combinatie wanneer u een zaagblad gebruikt.

OPMERKING:

- De standaardcombinatie van het snijgarnituur verschilt van land tot land.



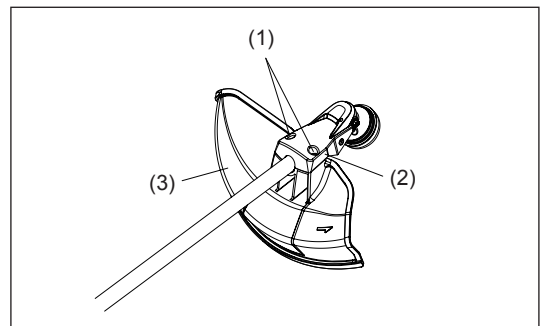
Voor metalen snijblad

⚠ LET OP:

- Zorg ervoor dat de aanhaalbouten van de beschermkap gelijkmatig zijn aangehaald zodat de opening tussen de klem en de beschermkap evenwijdig blijft.
- Als u dit niet doet, is het mogelijk dat de beschermkap niet werkt zoals bedoeld.

(Voor beschermkap type A)

Monteer de beschermkap (3) met behulp van de twee bouten M6x30 (1) op de klem (2).



(Voor beschermkap type B)

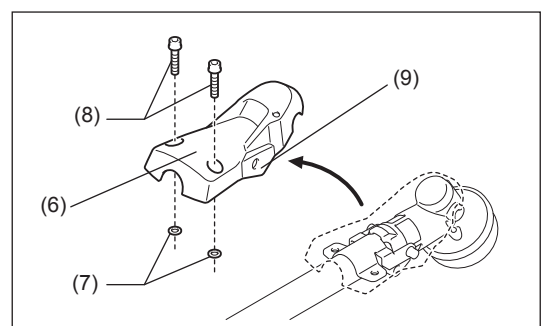
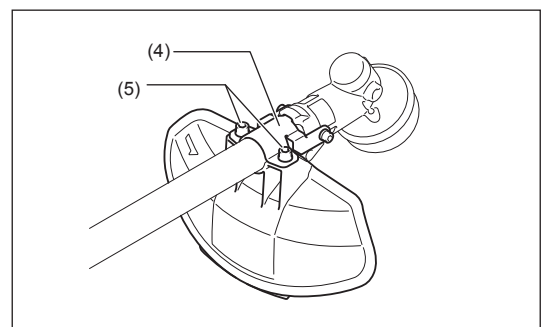
Monteer de beschermkap met behulp van de twee bouten M6x18 (5) op de klem (4).

Als de beschermkap (6) is gemonteerd op de as, verwijdert u hem eerst als volgt.

- Verwijder de ringen (7), bouten M6x30 (8) vanaf het beschermkapdeksel.
- Verwijder het beschermkapdeksel door de vin (9) iets te spreiden.

OPMERKING:

- Wanneer u de beschermkap verandert van type B naar type A, monteert u het beschermkapdeksel, de bouten M6x30 en ringen op de as voordat u de beschermkap monteert.

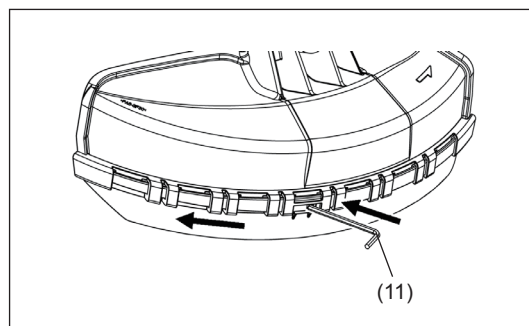
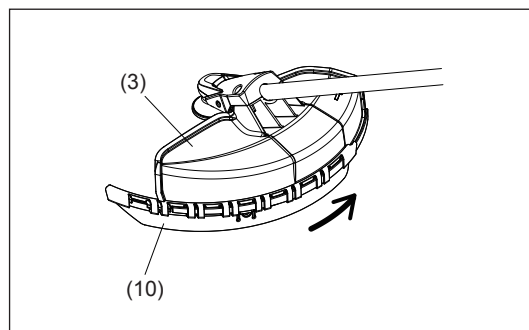


Voor nylondraad-snijknop

- Monteer de beschermkap van de nylondraad-snijknop (10) op de beschermkap type A van het metalen snijblad (3) waarop de beschermkap van de nylondraad-snijknop is gemonteerd.
- Monteer de beschermkap van de nylondraad-snijknop (10) door deze op zijn plaats te schuiven vanaf de zijkant van de beschermkap van het metalen snijblad (3), zoals afgebeeld.
- Haal de tape af van het mesje voor het afsnijden van de nylondraad op de beschermkap van de nylondraad-snijknop (10).

⚠ LET OP:

- Duw de beschermkap van de nylondraad-snijknop (10) erop tot deze geheel op zijn plaats zit.
Wees voorzichtig uzelf niet te verwonden aan het mesje voor het afsnijden van de nylondraad.
- Om de beschermkap van de nylondraad-snijknop (10) te verwijderen, plaatst u een inbussleutel (11) op de nok van de beschermkap van het metalen snijblad (3), duwt u deze naar binnen en verschuift u tegelijkertijd de beschermkap van de nylondraad-snijknop (10).



HET METALEN SNIJBLAD OF DE NYLONDRAAD-SNIJKOP MONTEREN

Verzeker u ervan uitsluitend originele metalen bladen of nylondraad-snijkoppen van DOLMAR te gebruiken.

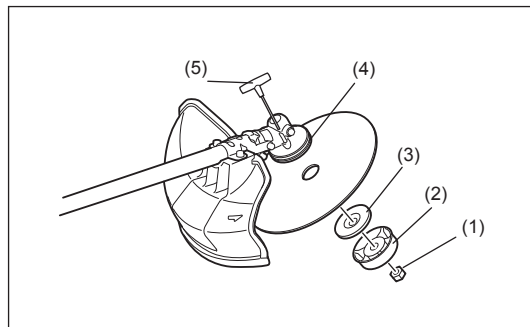
- Het metalen snijblad moet goed geslepen zijn en vrij zijn van barsten of breuken. Als het metalen snijblad een steen raakt tijdens het gebruik, moet u de motor onmiddellijk uitschakelen en het snijblad controleren.
- Slijp of vervang het metalen blad na elke drie uur gebruik.
- Als de nylondraad-snijkop een steen raakt tijdens het gebruik, moet u de motor onmiddellijk uitzetten en de nylondraad-snijkop controleren.

⚠ LET OP:

- Voor uw veiligheid en om te voldoen aan de voorschriften voor ongevallenpreventie, moet u altijd de geschikte beschermkap monteren. Het is verboden het gereedschap te gebruiken zonder dat de beschermkap is gemonteerd. De buitendiameter van het snijblad moet 300 mm of minder zijn. Gebruik nooit een snijblad met een buitendiameter groter dan 300 mm. Snijbladen met een buitendiameter van 305 mm mogen alleen gebruikt worden als ze twee tanden hebben.

Draai de rechte schacht ondersteboven zodat u het metalen snijblad of de nylondraad-snijkop gemakkelijk kunt vervangen.

- Steek de inbussleutel (5) in de opening van het tandwielhuis en draai de ontvangerring (4) met de inbussleutel tot deze vergrendeld wordt.
- Maak de moer (1) (met linksdraaiend schroefdraad) los met de dopsleutel en verwijder de moer (1), de beker (2) en de klemring (3).



Het metalen blad monteren terwijl de inbussleutel er nog in zit

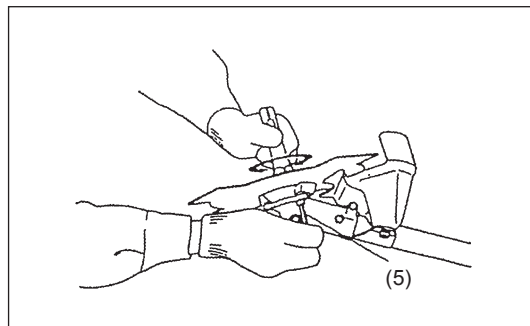
- Monteer het metalen snijblad op de schacht zodat de nok op de ontvangerring (4) past in de uitsparing in het asgat van het metalen snijblad. Monteer de klemring (3), beker (2) en zet het metalen snijblad vast met de moer (1). [Aanhaalkoppel: 20 – 30 N•m]

OPMERKING:

- Draag altijd beschermende handschoenen wanneer u het metalen snijblad hanteert.

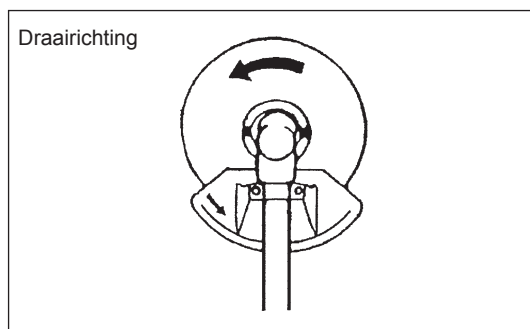
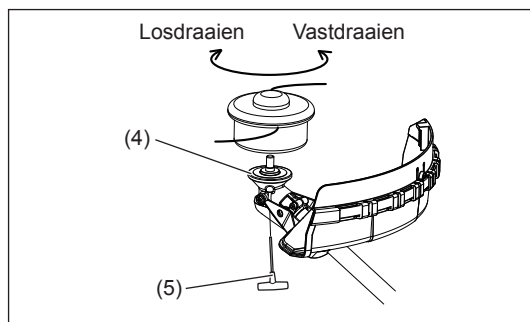
OPMERKING:

- De bevestigingsmoer van het metalen snijblad (met veerring) is een verbruiksartikel. Als u slijtage of vervorming van de veerring opmerkt, moet u de moer vervangen.



De nylondraad-snijkop monteren

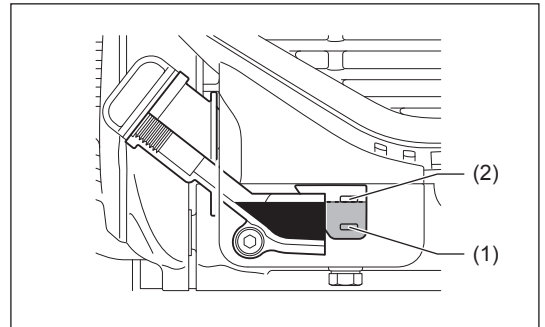
- De klemring (3), de beker (2) en de moer (1) zijn niet nodig voor het monteren van de nylondraad-snijkop. De nylondraad-snijkop moet bovenop de ontvangerring komen (4).
- Steek de inbussleutel (5) in de opening van het tandwielhuis en draai de ontvangerring (4) met de inbussleutel tot deze vergrendeld wordt.
- Schroef daarna de nylondraad-snijkop op de as door deze linksom te draaien.
- Haal de inbussleutel eruit.



VÓÓR HET BEGIN VAN HET WERK

Controleren en bijvullen van de motorolie

- Voer de volgende procedure uit bij koude motor.
- Zorg ervoor dat de motor op een vlakke en horizontale ondergrond ligt en controleer of het oliepeil tussen de ondergrens (1) en bovengrens (2) van het oliepeilvenster staat.
- Als het oliepeil onder de ondergrens staat, verwijdert u de olievuldop en vult u olie bij.
- Het gebied tussen de markeringen op de buitenkant is doorzichtig zodat het oliepeil van buitenaf kan worden gecontroleerd zonder de olievuldop eraf te hoeven draaien. Echter, wanneer de oliebus erg vuil is geworden, kan deze ondoorzichtig zijn en moet het oliepeil worden gecontroleerd aan de hand van de inwendige randen binnenin de oliebus.
- Mogelijk moet iedere 10 bedrijfsuren olie bijgevoerd worden (na iedere 10 keer brandstof bijvullen).
Als de olie door vuil van kleur is veranderd, ververs u de vuile olie door nieuwe. (Raadpleeg pagina 135 voor informatie over het verversingsinterval en de verversingsprocedure.)



Aanbevolen olie: SAE 10W-30 olie van API-classificatie, SF-klasse of beter (4-taktmotorolie voor auto's)

Hoeveelheid olie: Ongeveer 0,10 liter

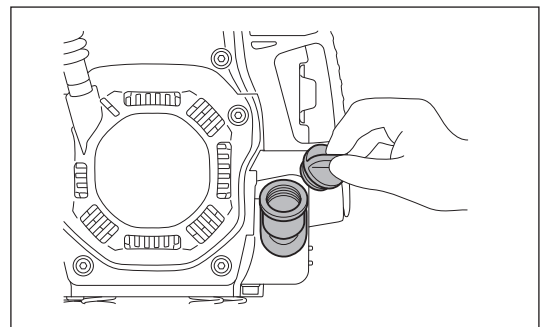
OPMERKING:

- Als de motor niet zoals afgebeeld op een horizontale ondergrond wordt geplaatst, kan een verkeerd oliepeil worden afgelezen en kan te veel olie worden bijgevoerd. Olie bijvullen tot boven de bovengrens kan leiden tot verontreiniging met olie en/of witte rook.

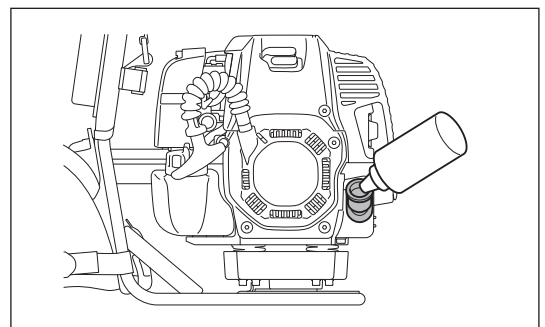
Olie verversen: “Olievuldop”

- Verwijder stof of vuil rondom de olievulopening en draai de olievuldop eraf.
- Zorg ervoor dat geen zand of stof op de olievuldop komt. Als dit toch gebeurt, kan het zand of stof dat aan de olievuldop kleeft leiden tot een onregelmatige oliecirculatie of slijtage van de motoronderdelen, waardoor storingen kunnen ontstaan.

(1) Houd de motor horizontaal en draai de olievuldop eraf.



(2) Vul motorolie bij tot aan de markering van de bovengrens.
Gebruik voor het bijvullen een oliefles.



(3) Draai de olievuldop stevig vast. Bij onvoldoende vastdraaien kan olie eruit lekken.

OPMERKING:

- Ververs de olie niet met de motor in een gekantelde positie.
- Als olie wordt bijgevuld terwijl de motor is gekanteld, kan te veel olie worden bijgevuld waardoor verontreiniging en/of witte rook wordt veroorzaakt.

Na het bijvullen van olie

- Veeg eventueel gemorste olie onmiddellijk af met een doek.

BRANDSTOF BIJVULLEN**Omgaan met brandstof**

Het is noodzakelijk uiterst voorzichtig om te gaan met brandstof. Brandstof kan stoffen bevatten die ook in oplosmiddelen voorkomen. Het bijvullen van brandstof moet gebeuren in een vertrek met een voldoende goede ventilatie of in de open lucht. Adem nooit brandstofdampen in en houd afstand tot de brandstof. Als uw huid herhaaldelijk in aanraking komt met brandstof gedurende een lange tijd, wordt uw huid droog, waardoor een huidziekte of allergie kan ontstaan. Als brandstof in uw oog komt, spoelt u uw oog uit met schoon water. Als uw oog daarna blijft irriteren, raadpleegt u een dokter.

Bewaartermijn van brandstof

Brandstof dient binnen een periode van 4 weken te worden gebruikt, ook wanneer de brandstof wordt bewaard in een speciale jerrycan op een goed geventileerde en schaduwrijke plaats.

Anders kan de brandstof binnen één dag verslechteren.

OPSLAG VAN HET GEREEDSCHAP EN DE JERRYCAN

- Bewaar het gereedschap en de jerrycan op een koele plaats uit direct zonlicht.
- Bewaar brandstof nooit in een auto.

Brandstof

De motor is een viertaktmotor. Gebruik uitsluitend loodvrije benzine voor auto's met een octaangehalte van 87 of hoger ((R+M)/2). Deze mag niet meer dan 10% alcohol (E-10) bevatten.

Tips voor het omgaan met brandstof

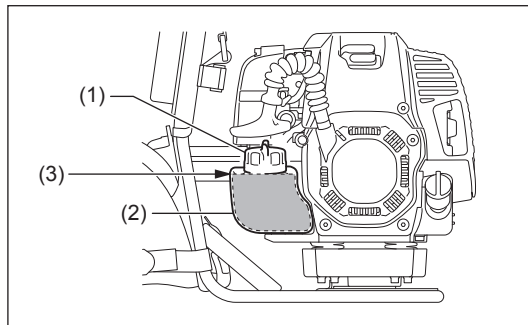
- Gebruik nooit mengsmering, waarin motorolie zit. Als u dat doet, zal buitensporige koolafzetting of mechanische storing optreden.
- Als verslechterde olie wordt gebruikt, zal dat leiden tot onregelmatig starten.

Brandstof bijvullen**⚠ WAARSCHUWING:**

- **Schakel de motor uit alvorens brandstof bij te vullen, blijf uit de buurt van open vuur en rook niet.**
- Draai de brandstofvuldop (1) een klein stukje los om de druk in de brandstoftank af te laten.
- Verwijder de brandstofvuldop en vul brandstof bij. Vul de brandstof NIET bij tot boven de bovengrens (3).
- Veeg de buitenkant van de brandstofvuldop af om te voorkomen dat vuil in de brandstoftank terecht komt.
- Na het bijvullen van brandstof draait u de brandstofvuldop weer stevig vast.

OPMERKING:

- Als enige onvolkomenheid of schade aan de brandstofvuldop wordt geconstateerd, moet deze worden vervangen.
- De brandstofvuldop is na verloop van tijd versleten. Vervang de brandstofvuldop iedere twee of drie jaar.
- GEEN brandstof bijvullen in de olievulopening.



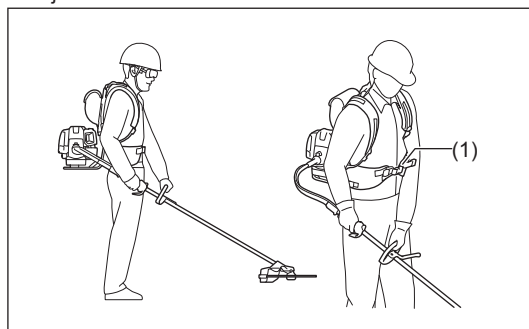
CORRECT OMGAAN MET HET GEREEDSCHAP

⚠ WAARSCHUWING:

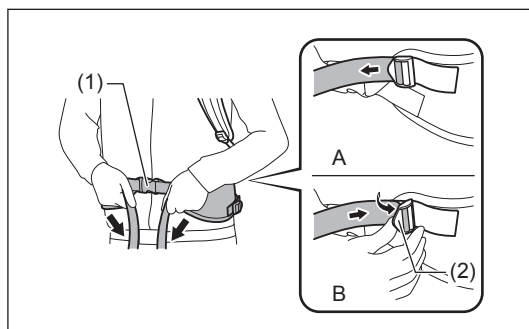
- Als u geen complete controle over het gereedschap behoudt, kan dit ernstige lichamelijk letsels of de DOOD veroorzaken.

Het draagstel bevestigen

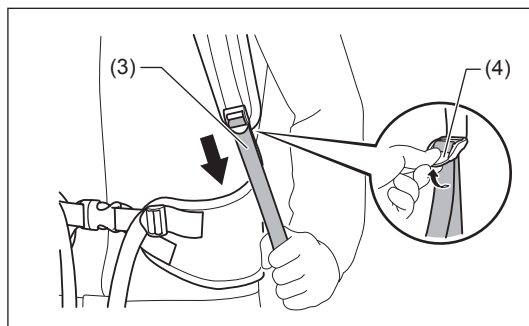
Bevestig het draagstel om het gereedschap tijdens gebruik comfortabel te kunnen dragen.



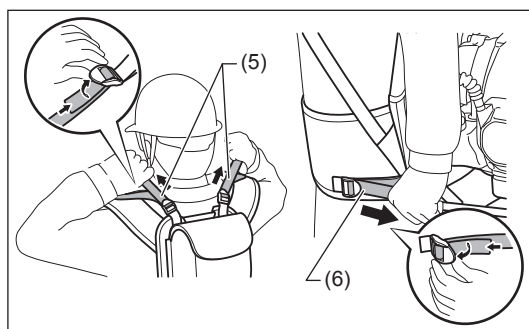
1. Plaats het draagstel op uw rug en sluit de bevestigingsgesp (1).
Trek aan de band (A) om de heupgordel strakker te maken.
Om deze losser te maken, tilt u het uiteinde van de stelgesp (2) (B) op.



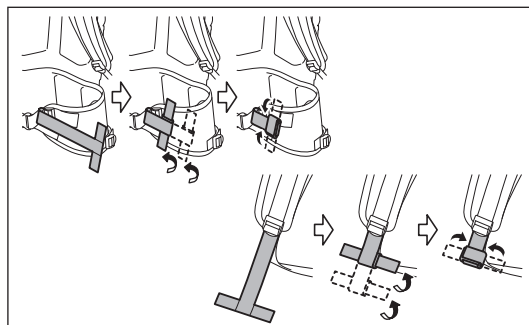
2. Stel de schouderriem (3) af op een lengte waarmee u comfortabel kunt werken.
Trek aan de band om de schouderriem strakker te maken.
Om deze losser te maken, tilt u het uiteinde van de stelgesp (4) op.



3. Stel de stabilisatiebanden voor de schouder en heup (5 en 6) af. Trek aan de band om deze strakker te maken. Om deze losser te maken, tilt u het uiteinde van de stelgesp op.

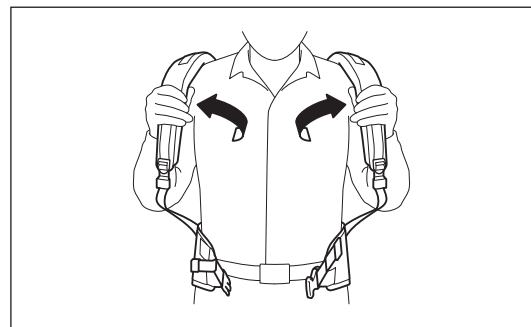
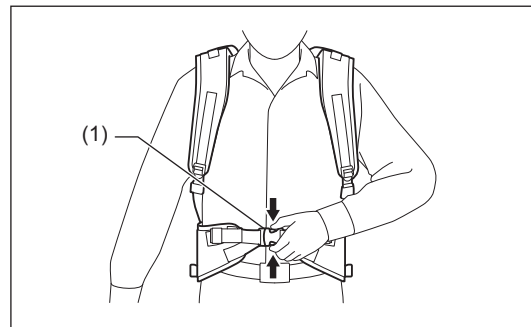


4. Rol overtollige band op en zet dit vast met de klittenband.



Het gereedschap loskoppelen

- Om het gereedschap los te maken, knijpt u de zijkant van de gesp (1) in en maakt u het draagstel los. Let er goed op dat u op dat moment de controle over het gereedschap behoudt. Zorg ervoor dat het gereedschap zich niet in uw richting of in de richting van iemand die in de buurt staat beweegt.



DE MOTOR STARTEN EN STOPPEN

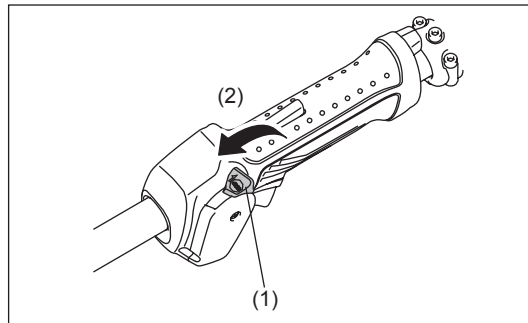
Volg de toepasselijke voorschriften voor ongevallenpreventie!

STARTEN

Houd ten minste 3 meter afstand tot de plaats waar brandstof is bijgevuld. Plaats het gereedschap op de grond en let er daarbij op dat het snijgarnituur niet de grond of enig ander voorwerp raakt.

A: Koude start

- 1) Plaats het gereedschap op een vlakke ondergrond.
- 2) Zet de I-O-schakelaar (1) in de stand BEDIENING (2).



- 3) Chokehendel

Zet met de chokehendel de choke dicht.

Gasklepopening:

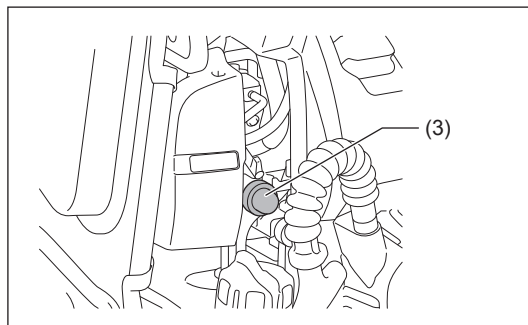
- Volledig dicht bij lage temperaturen of wanneer de motor koud is.
- Volledig of half open wanneer de motor een beetje warm is, zoals bij opnieuw starten van de motor vlak na afslaan tijdens het opwarmen.



- 4) Brandstofhandpomp

Blijf op de brandstofhandpomp (3) drukken tot de brandstof in de brandstofhandpomp stroomt. (Over het algemeen, 7 tot 10 keer drukken.)

Als te vaak op de brandstofhandpomp wordt gedrukt, vloeit het overschot aan brandstof terug naar de brandstoftank.



5) Trekstartinrichting

Zorg ervoor dat u stevig staat.

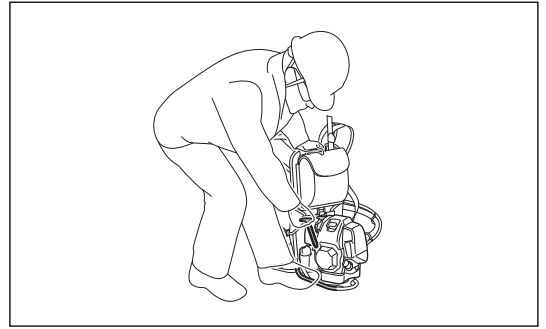
Houd het gereedschap vast met uw linkerhand en duw er stevig op.

⚠ LET OP:

- Zet daarbij niet uw voet of knie op de gaskabel. Er kan dan aan de binnenkabel getrokken worden, waardoor het snijgarnituur onbedoeld kan gaan draaien.
Knijp de gashendel niet in.

Trek voorzichtig aan de trekstarthandgreep tot een zekere weerstand wordt gevoeld. Laat de trekstarthandgreep teruglopen en trek er vervolgens krachtig aan.

Trek nooit door tot aan het einde van het trekstartkoord. Nadat aan de trekstarthandgreep is getrokken, mag u hem niet onmiddellijk loslaten. Houd de trekstarthandgreep vast tot het trekstartkoord is opgewonden in de trekstartinrichting.



6) Chokehendel

Nadat de motor is gestart, zet u de chokehendel in de stand OPEN.

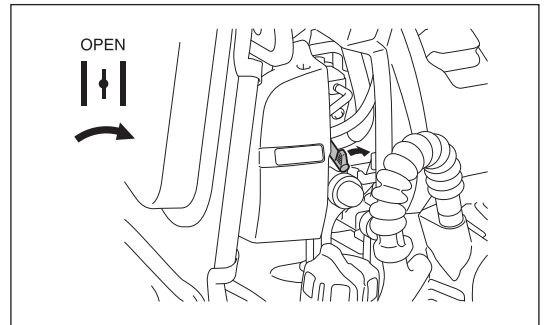
- Zet de choke geleidelijk open terwijl u op het motortoerental let. Zorg ervoor dat op het laatste de choke volledig open staat.
- Bij lage temperaturen of wanneer de motor koud is, mag u de choke nooit plotseling open zetten. Als u dit doet kan de motor afslaan.

7) Opwarmen

Laat de motor gedurende 2 tot 3 minuten opwarmen.

KENNISGEVING:

- **Knijp de gashendel niet onnodig in wanneer de motor niet draait.** Hierdoor kan brandstof lekken uit het luchtfilter. Als dat gebeurt, veegt u de gelekte brandstof af. Bovendien, open de luchtfilterkap en maak het filterelement en de luchtfilterplaat schoon.



OPMERKING:

- Knijp de gashendel niet onnodig in wanneer de motor niet draait. Hierdoor kan de motor met brandstof verzuipen en kan de motor moeilijk te starten zijn.
- In het geval de motor door overmatige brandstoftoevoer is "verzopen", verwijdert u de bougie en trekt u langzaam aan de trekstarthandgreep om overtollige brandstof te verwijderen. Maak ook de elektroden van de bougie droog.
- Als de motor wel ontsteekt maar niet aanslaat, of als de motor aanslaat maar snel weer afslaat, zet u de chokehendel in de stand OPEN en trekt u nogmaals enkele keren aan de trekstarthandgreep om de motor te starten.
- Als de chokehendel in de stand DICHT blijft staan en alleen enkele keren aan de trekstarthandgreep wordt getrokken, wordt te veel brandstof aangezogen en zal de motor moeilijk te starten zijn.
- Laat de motor niet onnodig op een hoog toerental draaien tijdens het opwarmen.

B: Warme start

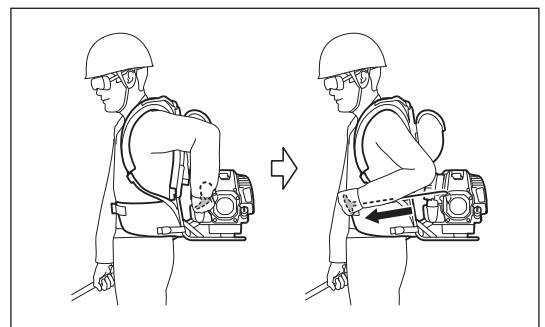
- 1) Laat de chokehendel volledig open staan.
- 2) Druk herhaaldelijk op de brandstofhandpomp.
- 3) Laat de gashendel in de stand voor stationair draaien staan.
- 4) Trek krachtig aan de trekstarthandgreep.

U kunt de motor ook opnieuw starten terwijl u het gereedschap op uw rug draagt.

⚠ LET OP:

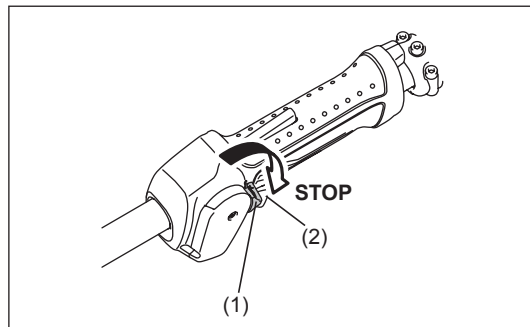
- Zorg ervoor dat het snijgarnituur niets aanraakt wanneer u de motor herstart.
- Knijp de gashendel niet in tijdens het herstarten van de motor. Anders gaat het snijgarnituur draaien.

Houd de handgreep met uw rechterhand vast en trek krachtig aan de trekstarthandgreep.



STOPPEN

- 1) Laat de gashendel (2) volledig los en, nadat het motortoerental is afgenomen, zet de I-O-schakelaar (1) naar de stand STOP om de motor uit te schakelen.
- 2) Het snijgarnituur blijft enige tijd doordraaien nadat de motor is uitgezet. Wacht totdat het volledig tot stilstand is gekomen.

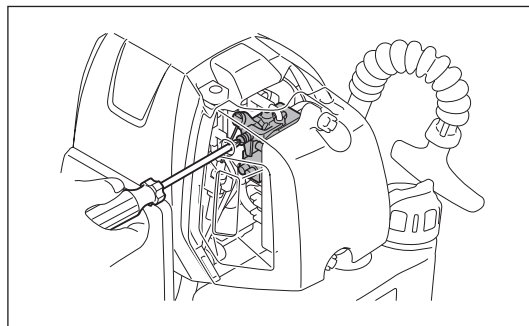


HET STATIONAIR TOERENTAL INSTELLEN

Als het nodig is om het stationair toerental af te stellen, doet u dit met behulp van de stelschroef op de carburateur.

HET STATIONAIR TOERENTAL CONTROLEREN

- Stel het stationair toerental in op 3 000 toeren min^{-1} .
Als het nodig is om het stationair toerental af te stellen, gebruikt u een kruiskopschroevendraaier en draait u de stelschroef in de afbeelding rechts.
- Om het stationair toerental te verhogen, draait u de stelschroef rechtsom.
Om het stationair toerental te verlagen, draait u de stelschroef linksom.
- De carburateur is in de fabriek afgesteld. Echter, na enig gebruik moet het stationair toerental opnieuw worden afgesteld.



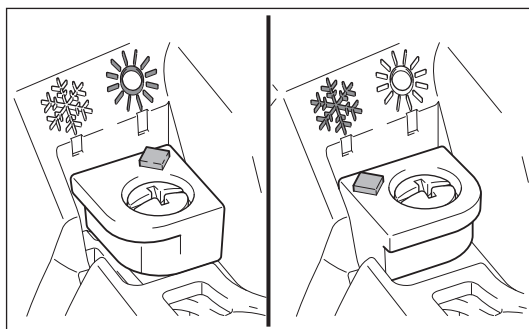
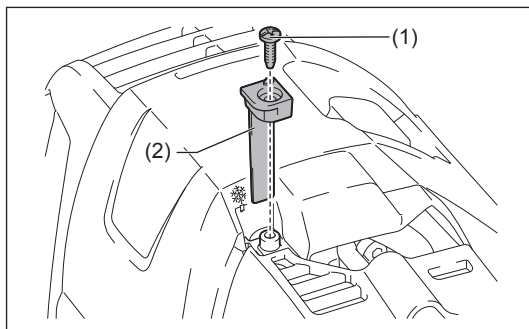
IJSVORMING IN CARBURATEUR VOORKOMEN

⚠ LET OP:

- Als de omgevingstemperatuur hoger is dan 10°C , zet u de sluiters altijd terug op de normale instelling (zon-symbool). Anders kan de motor beschadigd worden door oververhitting.

Wanneer de omgevingstemperatuur laag is en de vochtigheid hoog is, kan waterdamp in de carburateur bevroren en de motor onregelmatig lopen (ijsvorming in carburateur). Verander zo nodig de instelling van de sluiters als volgt.

1. Verwijder de schroef (1).
2. Verander de richting van de sluiters (2) als volgt:
 - Omgevingstemperatuur is hoger dan 10°C : Zet de sluiters in de normale stand (zon-symbool).
 - Omgevingstemperatuur is lager dan of gelijk aan 10°C : Zet de sluiters in de anti-ijsvormingstand (sneeuw-symbool).
3. Draai de schroef vast.



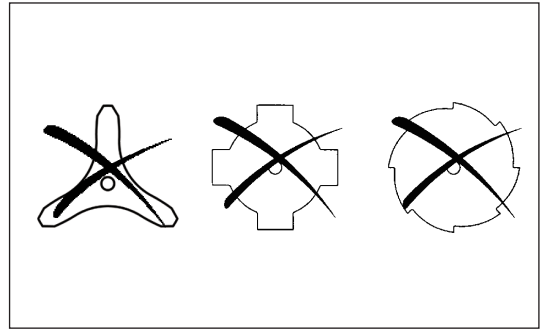
HET SNIJGARNITUUR SLIJPEN

⚠ LET OP:

- De snijgarnituren aangegeven in de afbeelding mogen niet worden geslepen. Door handmatig slijpen gaat het snijgarnituur ongebalanceerd draaien, waardoor trillingen ontstaan en het gereedschap beschadigd raakt.

OPMERKING:

- Om de levensduur van het snijblad te verlengen, kan dit eenmalig worden omgekeerd, totdat beide snijranden bot zijn geworden.



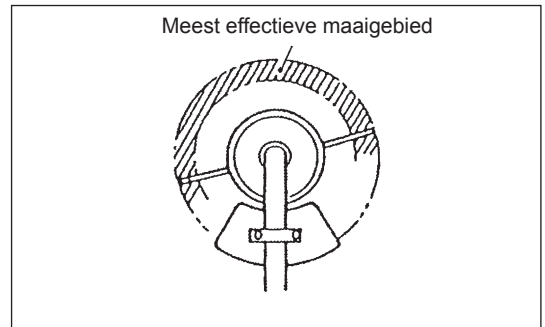
NYLONDRAAD-SNIJKOP

De nylondraad-snijkop is een dubbele-draadkop uitgerust met een stoot-aanvoermechanisme.

De nylondraad-snijkop voert de nylondraad uit door met de kop van de spoel op de grond te tikken.

Bediening

- Verhoog het toerental van de nylondraad-snijkop naar ongeveer 6 000 min⁻¹. Stoot de nylondraad-snijkop licht tegen de grond.
- Het meest effectieve maaigebied wordt weergegeven door het gearceerde deel.
- Als de nylondraad niet wordt uitgevoerd, volgt u de procedures die zijn beschreven onder "De nylondraad vervangen" om de nylondraad op te wikkelen/te vervangen.

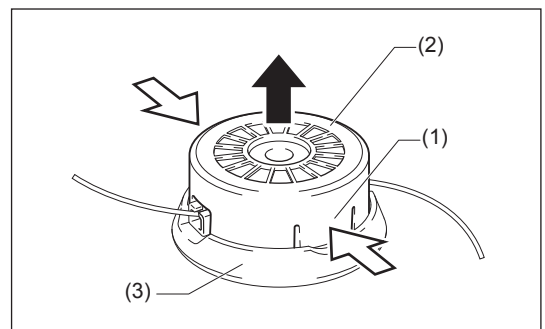


De nylondraad vervangen (STOOT-AANVOER)

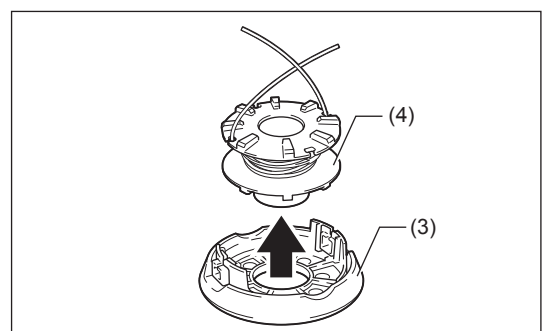
⚠ WAARSCHUWING:

- Controleer of het deksel van de nylondraad-snijkop goed op de behuizing is bevestigd, zoals hieronder beschreven. Als u het deksel niet stevig bevestigt, kan de nylondraad-snijkop uit elkaar vliegen en ernstig persoonlijk letsel veroorzaken.

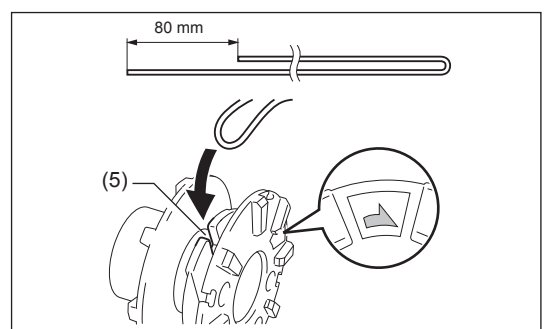
1. Druk de vergrendelknoppen (1) van de behuizing (2) naar binnen om het deksel (3) eraf te tillen.



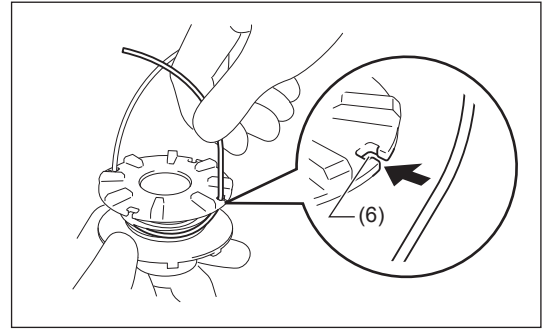
2. Haal de nylondraad uit het oogje. Verwijder de spoel (4) vanaf het deksel. Gooi eventueel resterende nylondraad weg.



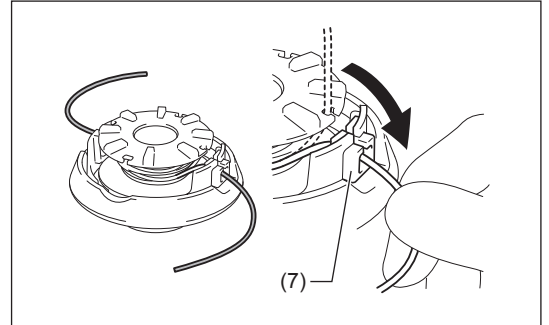
3. Haak het midden van de nieuwe nylondraad in de inkeping (5) in het midden van de draadspoel tussen de 2 kanalen. Eén uiteinde van de nylondraad moet ongeveer 80 mm langer zijn dan het andere uiteinde. Wikkel beide draadhelften stevig om de spoel in de richting van de pijlmarkering op de spoel.



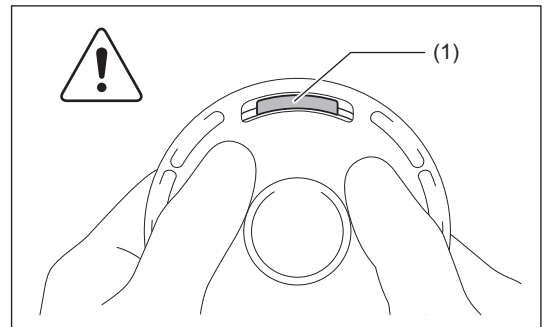
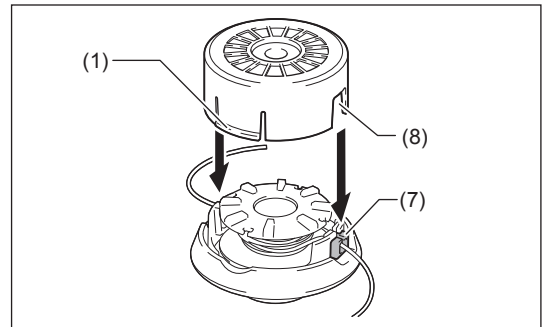
4. Wikkel op 100 mm na de volledige nylondraad op de spoel en zet de uiteinden tijdelijk vast in de inkepingen (6).



5. Plaats de spoel zodanig op het deksel dat de inkepingen uitgelijnd zijn met de oogjes (7).
Haal de uiteinden van de nylondraad uit hun tijdelijke posities en haal de nylonraden door de oogjes.



6. Lijn de vierkante uitsparingen (8) in de behuizing uit met de oogjes (7). Druk daarna de behuizing stevig op het deksel zodat deze wordt vergrendeld. Controleer of de vergrendelnokken (1) zich volledig spreiden in het deksel.



ONDERHOUDSINSTRUCTIES

⚠ LET OP:

- Voordat u werkzaamheden uitvoert aan het gereedschap, moet u altijd de motor uitzetten en de bougiekap van de bougie aftrekken (zie "de bougie controleren").
Draag altijd veiligheidshandschoenen!

Om een lange levensduur te garanderen en eventuele schade aan het gereedschap te voorkomen, moeten de volgende onderhoudswerkzaamheden regelmatig uitgevoerd worden.

Dagelijkse controle en onderhoud

- Controleer het gereedschap voor het gebruik op losse bouten of ontbrekende onderdelen. Let vooral op of het metalen snijblad of de nylondraad-snijkop stevig is bevestigd.
- Controleer voor gebruik altijd op verstopping van de koelluchtinlaatopening en de koelribben van de cilinder.
Maak deze plaatsen zo nodig schoon.
- Voer de volgende werkzaamheden dagelijks uit na het gebruik:
 - Reinig de buitenkant van het gereedschap en inspecteer op beschadigingen.
 - Maak de luchtfilter schoon. Als onder extreem stoffige omstandigheden wordt gewerkt, moet het filter meerdere keren per dag worden gereinigd.
 - Controleer het snijblad of de nylondraad-snijkop op schade en controleer of het snijblad of de snijkop stevig bevestigd is.
 - Controleer of er voldoende verschil is tussen het stationair toerental en het aangrijptoerental om zeker te zijn dat het snijgarnituur stilstaat wanneer de motor stationair draait (verlaag zo nodig het stationair toerental).
In het geval het gereedschap bij stationair toerental blijft draaien, neemt u contact op met het dichtstbijzijnde erkende servicecentrum.
- Controleer de werking van de I-O-schakelaar, de uit-vergrendelhendel en de gashendel.

MOTOROLIE VERVERSEN

Verslechterde motorolie verkort de levensduur van de motor. Vergeet niet de olie en het oliepeil regelmatig te controleren.



WAARSCHUWING: De motor en motorolie zijn nog heet vlak nadat de motor is uitgeschakeld. Wacht voldoende lang om de motor en motorolie te laten afkoelen. Anders kunt u uw huid verbranden.

OPMERKING:

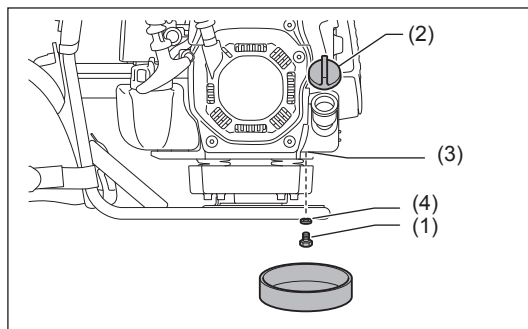
- Als de olie tot boven het bovengrens wordt bijgevuld, kan de olie gemorst worden en vlam vatten waarbij witte rook vrijkomt. Wacht nadat de motor is uit gezet voldoende lang om de motorolie te laten terugstromen naar de olietank voor een nauwkeurige controle van het oliepeil.

Verversingsinterval: Na de eerste 20 bedrijfsuren en vervolgens na iedere 50 bedrijfsuren.

Aanbevolen olie: SAE 10W-30 olie van API-classificatie, SF-klasse of beter (4-taktmotorolie voor auto's)

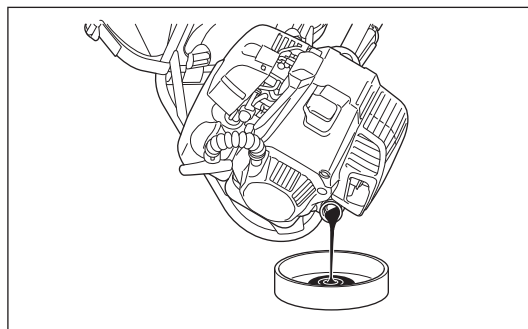
Volg de onderstaande procedure om de motorolie te verversen.

- 1) Controleer of de brandstofvuldop stevig vastgedraaid is.
- 2) Plaats een grote opvangbak (pan, enz.) onder het aftapgat.
- 3) Verwijder de aftapbout (1) en draai daarna de olievuldop (2) eraf om de motorolie af te tappen uit het aftapgat (3).
Wees hierbij voorzichtig de pakkingring (4) van de aftapbout niet kwijt te raken en de verwijderde onderdelen niet vuil te maken.
- 4) Nadat de motorolie is afgetapt, plaatst u de pakkingring op de aftapbout en draait u de aftapbout stevig vast, zodat deze niet kan losraken en gaan lekken.
[Aanhaalkoppel: 5 N•m]
* Gebruik een poetsdoek om de motorolie die aan de aftapbout en het gereedschap zit volledig af te vegen.



Alternatieve methode voor het aftappen van de motorolie

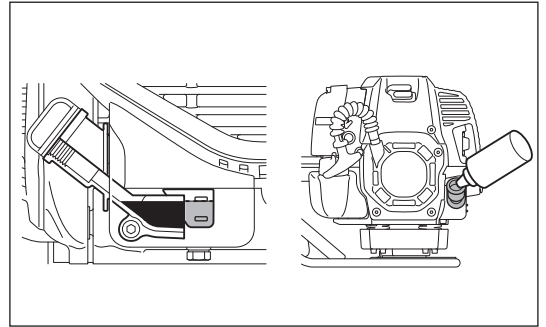
Draai de olievuldop eraf, kantel het gereedschap in de richting van de olievulopening en tap de olie af.
Vang de motorolie op in een opvangbak.



- 5) Plaats de motor horizontaal en vul geleidelijk nieuwe motorolie bij tot aan de markering van de bovengrens.
- 6) Draai na het bijvullen de olievuldop stevig vast, zodat deze niet kan losraken en gaan lekken.
Als de olievuldop niet stevig wordt vastgedraaid, kan deze gaan lekken.

TIPS VOOR HET OMGAAN MET OLIE

- Gooi verbruikte motorolie nooit weg met het afval, op de grond, of in een rioolput. Het weggooien van olie is bij wet geregeld. Houd u bij het weggooien altijd aan de betreffende wetten en regelgeving. In het geval u hierover vragen heeft, neemt u contact op met een erkend servicecentrum.
- Olie verslechtert, ook wanneer de olie niet wordt gebruikt. Controleer en ververs de olie regelmatig (ververs de olie iedere 6 maanden).



HET LUCHTFILTER SCHOONMAKEN



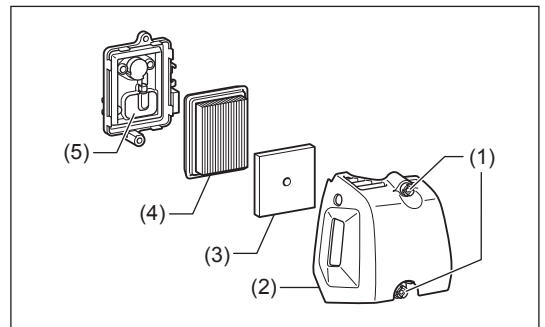
WAARSCHUWING: Schakel de motor uit, blijf uit de buurt van open vuur en rook niet.

Controle- en reinigingsinterval: Dagelijks (iedere 10 bedrijfsuren)

- Zet met de chokehendel de choke helemaal dicht en houd de carburateur vrij van stof of vuil.

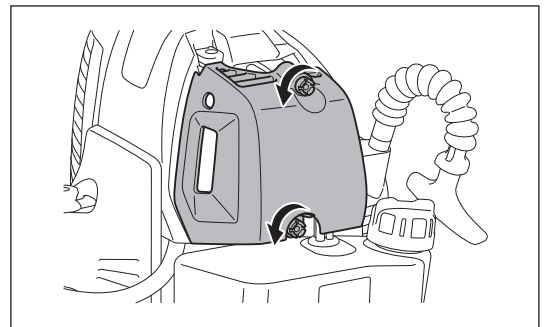
De luchtfilterkap verwijderen

- Draai de twee bevestigingsbouten (1) los.
- Trek aan de luchtfilterkap (2) om hem te verwijderen.



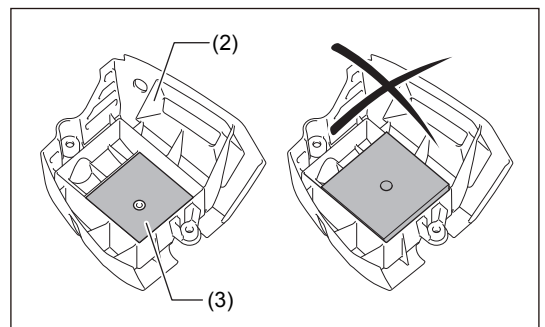
Het luchtfilterelement schoonmaken

- Verwijder de luchtfilterelementen (3 en 4) en tik ertegen om het vuil te verwijderen.
- In geval van ernstige verontreiniging:
 - 1) Verwijder het filterelement (spons) (3), dompel het in warm water of in een oplossing van een neutraal schoonmaakmiddel in water, en droog het grondig. Knijp het niet uit en wrijf er niet over tijdens het wassen.
 - 2) Reinig het luchtfilterelement (papier) (4) door er voorzichtig tegen te tikken. Als u de beschikking hebt over een perslucht pistool, plast u de perslucht tegen de binnenkant van het luchtfilterelement (papier). Was het luchtfilterelement (papier) niet.
- Alvorens het luchtfilterelement (spons) terug te plaatsen, moet het grondig droog zijn. Als het luchtfilterelement (spons) onvoldoende droog wordt teruggeplaatst, kan dat leiden tot moeilijk starten.
- Veeg olie die rondom de luchtfilterkap en de achterplaat (5) zit af met een poetsdoek.



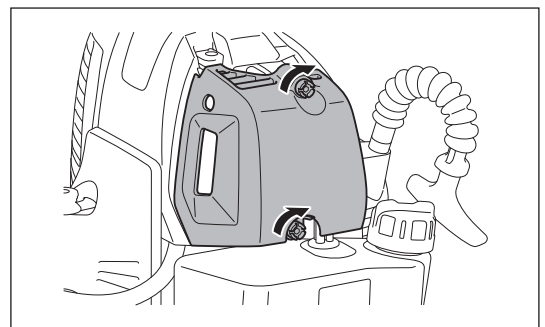
De luchtfilterkap bevestigen

- Plaats het luchtfilterelement (spons) en het luchtfilterelement (papier). Duw het luchtfilterelement (spons) helemaal tot achterin de luchtfilterkap.
- Bevestig de luchtfilterkap met de twee bevestigingsbouten.



KENNISGEVING:

- Reinig de luchtfilterelementen meerdere keren per dag als onder extreem stoffige omstandigheden wordt gewerkt. Vervuilde luchtfilterelementen verlagen het motorvermogen en bemoeilijken het starten van de motor.
- Verwijder de olie op de luchtfilterelementen. Als u blijft doorwerken terwijl de luchtfilterelementen vervuild zijn met olie, kan de olie buiten het luchtfilter terecht komen en tot milieuvervuiling leiden.
- Plaats de luchtfilterelementen niet op de grond of op een vieze plaats. Er kan dan vuil of afval aan blijven plakken waardoor de motor kan worden beschadigd.
- Gebruik nooit brandstof om de luchtfilterelementen schoon te maken. Ze kunnen door de brandstof worden beschadigd.



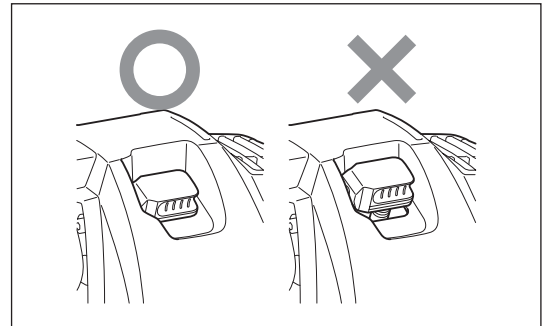
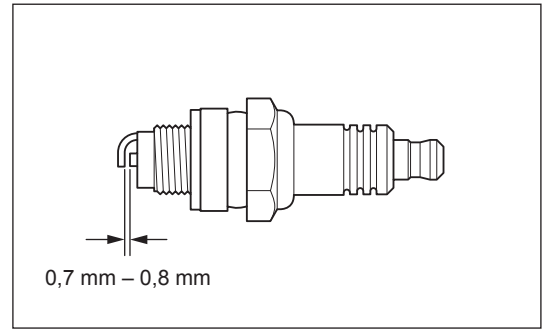
DE BOUGIE CONTROLEREN

- Gebruik alleen de bijgeleverde moersleutel om de bougie te verwijderen of te monteren.
- De afstand tussen de twee elektroden van de bougie moet 0,7 tot 0,8 mm bedragen. Als de afstand te groot of te klein is, moet u deze aanpassen. Als de elektroden van de bougie verstopt of vervuild zijn, moet u deze grondig schoonmaken of de bougie vervangen.

Plaats na controle de bougiekap goed terug, zoals aangegeven in de afbeelding.

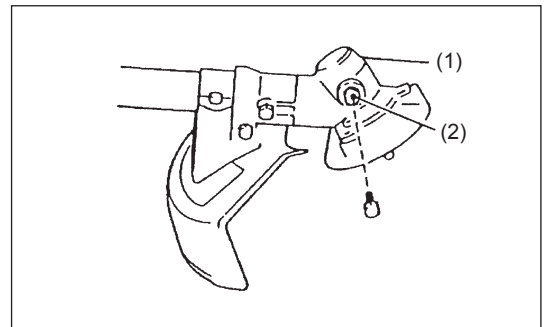
⚠ LET OP:

- Raak de bougiekap nooit aan terwijl de motor draait (gevaar van elektrische schok door hoogspanning).



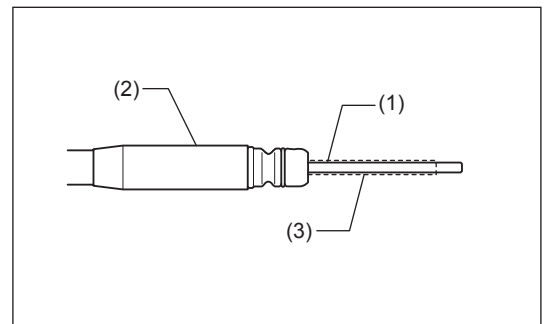
HET TANDWIELHUIS SMEREN

- Breng elke 25 uren smeervet (Shell Alvania 2 of gelijkwaardig) aan in het tandwielhuis (1) via de smeeroening (2). (Origineel DOLMAR-smeervet kan worden aangeschaft bij uw DOLMAR-dealer.)



DE FLEXIBELE SCHACHT SMEREN

1. Maak de flexibele schacht los van het koppelingshuis en de rechte schacht. Om de flexibele schacht los te maken van het koppelingshuis, trekt u de knop omhoog en verwijdert u de flexibele schacht. Om de flexibele schacht los te maken van de rechte schacht, verwijdert u de bout en trekt u hem eruit.
2. Trek de binnenas (1) uit de flexibele mantel (2) en breng elke 25 bedrijfsuren vet (Shell Alvania 2 of gelijkwaardig) (3) aan op de binnenas. (Origineel DOLMAR-smeervet kan worden aangeschaft bij uw DOLMAR-dealer.)



KENNISGEVING:

- De flexibele schacht kan breken als geen vet wordt aangebracht.
- Om de levensduur van de onderdelen te verlengen, bevestigt u de uiteinden van de flexibele schacht elke keer aan de tegenovergestelde kant, d.w.z. het uiteinde dat aan de motorkant zat, wordt nu aan de kant van de bedieningshendel vastgemaakt.

HET BRANDSTOFFILTER SCHOONMAKEN

WAARSCHUWING: STRENG VERBODEN VOOR ONTBRANDBARE MATERIALEN

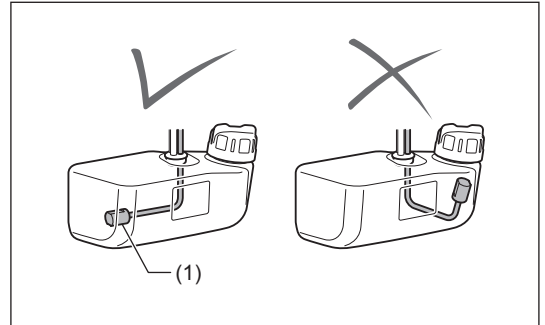
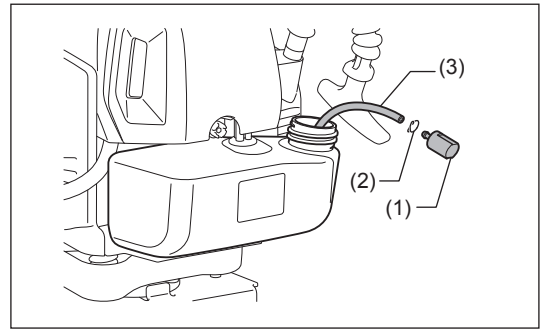
Controle- en reinigingsinterval: Maandelijks (iedere 50 bedrijfsuren)

Zuigkop in brandstoftank

Controleer het brandstoffilter (1) regelmatig. Om het brandstoffilter te controleren, volgt u de onderstaande stappen:

1. Verwijder de brandstofvuldop en tap de brandstof af totdat de brandstoftank leeg is. Controleer de binnenkant van de brandstoftank op eventuele vreemde stoffen. Als u iets vindt, verwijdert u dit.
2. Gebruik een draadhaak om de zuigkop uit de brandstofvulopening te trekken.
3. Als het brandstoffilter enigszins verstopt is, reinigt u het. Om het schoon te maken, schudt u het en tikt u ertegen in de brandstof. Om beschadiging te voorkomen, knijpt u het niet uit en wrijft u er niet over. De brandstof die is gebruikt voor het schoonmaken moet worden weggegooid volgens de methode aangegeven in de regelgeving van uw land. Als het brandstoffilter hard of ernstig verstopt is, vervangt u het.
4. Na het controleren, schoonmaken of vervangen, steekt u het brandstoffilter op de brandstofslang (3) en zet u hem vast met behulp van de slangklem (2). Duw het brandstoffilter helemaal naar de bodem van de brandstoftank.

Een verstopt of beschadigd brandstoffilter kan leiden tot onvoldoende brandstoftoevoer en minder motorvermogen. Vervang het brandstoffilter ten minste iedere drie maanden om verzekerd te zijn van een goede brandstoftoevoer naar de carburateur.



DE BRANDSTOFLEIDING VERVERGEN

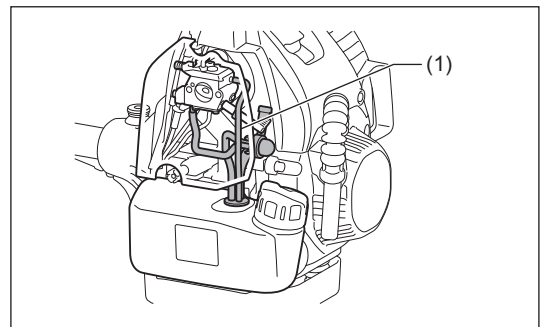
LET OP: STRENG VERBODEN VOOR ONTBRANDBARE MATERIALEN

Controle- en reinigingsinterval: Dagelijks (iedere 10 bedrijfsuren)

Vervanging: Jaarlijks (iedere 200 bedrijfsuren)

Vervang de brandstofleiding (1) ieder jaar, ongeacht de gebruiksfrequentie. Brandstoflekkage kan brand veroorzaken.

Als tijdens de inspectie een lekkage wordt gevonden, vervangt u de brandstofleiding onmiddellijk.



DE BOUTEN, MOEREN EN SCHROEVEN INSPECTEREN

- Draai losse bouten, moeren, enz., weer vast.
- Controleer of de brandstofvuldop en olievuldop goed vastgedraaid zijn. Controleer op brandstof- en olielekkage.
- Vervang beschadigde onderdelen door nieuwe voor een veilig gebruik.

DE ONDERDELEN SCHOONMAKEN

- Houd de motor altijd schoon door deze af te vegen met een poetsdoek.
- Houd de koelribben van de cilinder vrij van stof en vuil. Stof en vuil dat zich tussen de koelribben ophoopt, zal leiden tot het vastlopen van de zuiger.

DE AFDICHTINGEN EN PAKKINGEN VERVERGEN

Vervang de pakkingen en afdichtingen als de motor gedemonteerd is.

Alle onderhouds- of afstelwerkzaamheden die niet in deze gebruiksaanwijzing zijn beschreven, mogen alleen worden uitgevoerd door een erkend servicecentrum.

OPSLAG

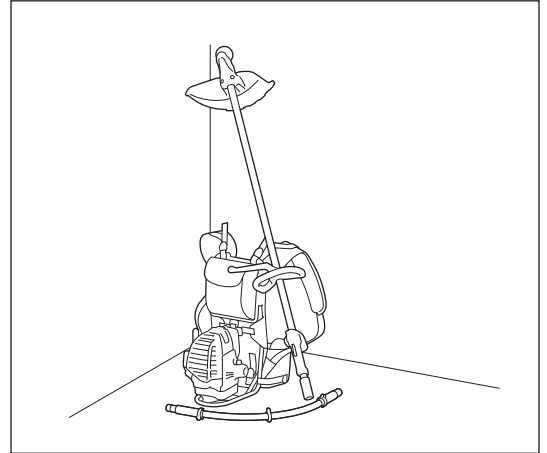


WAARSCHUWING: De motor is nog heet vlak nadat de motor is uitgeschakeld. Als u de brandstof gaat aftappen, wacht u voldoende lang om de motor te laten afkoelen nadat deze is uitgeschakeld. Anders kunt u uw huid verbranden of kan brand ontstaan.



GEVAAR: Als het gereedschap gedurende een lange tijd niet gebruikt gaat worden, tapt u alle brandstof uit de brandstoftank en carburateur, en slaat u het op een droge, schone plaats op.

- Tap de brandstof af uit de brandstoftank en carburateur aan de hand van de volgende procedure:
 - 1) Draai de brandstofvuldop eraf en tap alle brandstof af.
Als een vreemde substantie is achtergebleven in de brandstoftank, verwijdert u deze volledig.
 - 2) Trek met behulp van een draadhaak het brandstoffilter uit de brandstofvulopening.
 - 3) Druk op de brandstofhandpomp totdat de brandstof daaruit en in de brandstoftank stroomt.
 - 4) Plaats het brandstoffilter terug in de brandstoftank en draai de brandstofvuldop stevig vast.
 - 5) Laat de motor vervolgens draaien tot deze afslaat.
- Verwijder de bougie en breng enkele druppels motorolie via het bougiegat in de cilinder.
- Trek voorzichtig aan de trekstarthandgreep zodat de motorolie zich door de motor verspreidt, en monteer daarna de bougie weer.
- Bevestig de beschermkap op het metalen blad.
- Berg het gereedschap over het algemeen op zoals afgebeeld. Let goed op hoe het gereedschap wordt opgeborgen om te voorkomen dat de rechte schacht omvalt. Als u dit niet doet, kan dat leiden tot persoonlijk letsel.
- Bewaar de afgetapte brandstof in een speciale jerrycan op een goed geventileerde plaats in de schaduw.



Aandachtspunt na langdurige opslag

- Alvorens de motor na langdurige stilstand opnieuw te starten, moet de olie worden ververs (zie pag. 135). De olie verslechtert terwijl het gereedschap niet in gebruik is.

Gebruikstijd Item		Vóór gebruik	Na brandstof bijvullen	Dagelijks (10 uur)	25 uur	50 uur	200 uur	Vóór opslag	Zie pagina
Motorolie	Inspecteren	○							126
	Vervang					○*1			135
Vastdraaien (bouten, moeren, enz.)	Inspecteren	○							138
Brandstoftank	Reinigen/ inspecteren	○							—
	Brandstof aftappen							○*3	139
Gashendel	Werking controleren		○						—
Stopschakelaar	Werking controleren		○						135
Snijgarnituur	Inspecteren	○		○					125
Stationair toerental	Inspecteren/ afstellen			○					132
Luchtfilter	Reinig			○					136
Bougie	Inspecteren			○					137
Koelluchtinlaatopening en koelribben van de cilinder	Reinigen/ inspecteren			○					138
Brandstofleiding	Inspecteren			○					138
	Vervang						◎*2		138
Smeervet in tandwielhuis	Bijvullen				○				137
Flexibele schacht	Smeren met vet/ omkeren van de montagerichting				○				137
Brandstoffilter	Reinigen/ vervangen					○			138
Klepspeling (inlaatklep en uitlaatklep)	Inspecteren/ afstellen						◎*2		—
Carburateur	Brandstof aftappen							○*3	139

*1 Eerste keer verversen na 20 bedrijfsuren.

*2 Vraag een erkend servicecentrum of een machinewerkplaats om de inspectie na 200 bedrijfsuren uit te voeren.

*3 Na het aftappen van de brandstoftank, laat u de motor draaien om de brandstof in de carburateur op te gebruiken.

PROBLEMEN OPLOSSEN

Alvorens een verzoek voor reparatie in te dienen, controleert u de storing zelf aan de hand van de onderstaande tabel. Als een probleem is gevonden, repareert u het gereedschap aan de hand van de beschrijvingen in deze gebruiksaanwijzing. Probeer nooit enig onderdeel te demonteren of repareren in strijd met de beschrijvingen. Voor reparatie neemt u contact op met een erkend servicecentrum of uw plaatselijke dealer.

Probleemomschrijving	Mogelijke oorzaak (storing)	Oplossing
Motor start niet.	De I-O-schakelaar staat in de stand STOP.	Zet de I-O-schakelaar (1) in de stand BEDIENING.
	De brandstofhandpomp werd niet ingedrukt.	Druk deze 7 tot 10 keer in.
	Te zwak trekken aan de trekstarthandgreep.	Trek krachtig.
	Gebrek aan brandstof.	Vul brandstof bij.
	Verstopt brandstoffilter.	Maak hem schoon.
	Verbogen brandstofleiding.	Maak de brandstofleiding recht.
	Verslechterde brandstof.	De verslechterde brandstof bemoeilijkt het starten. Vervang de brandstof door nieuwe. (Aanbevolen vervangingsinterval: 1 maand)
	Buitensporige toevoer van brandstof.	Verander de stand van de gashendel van middelhoog toerental naar hoog toerental en trek aan de trekstarthandgreep tot de motor start. Nadat de motor is gestart, begint het snijgarnituur te draaien. Let goed op het snijgarnituur. Als de motor nog steeds niet start, draait u de bougie eruit, maakt u de elektroden droog, en monteert u de bougie weer. Start vervolgens zoals beschreven.
	Bougiekap ligt eraf.	Bevestig hem stevig.
	Vervuilde bougie.	Maak hem schoon.
	Verkeerde elektrodenafstand van bougie.	Stel de elektrodenafstand af.
	Ander probleem met de bougie.	Vervang hem.
	Probleem met de carburateur.	Dien een verzoek in voor inspectie en onderhoud.
Trekstarthandgreep kan niet worden uitgetrokken.	Dien een verzoek in voor inspectie en onderhoud.	
Probleem met de aandrijving.	Dien een verzoek in voor inspectie en onderhoud.	
Motor slaat snel af. Motortoerental neemt niet toe.	Onvoldoende opgewarmd.	Warm de motor op.
	Chokehendel staat in de stand DICHT ondanks dat de motor opgewarmd is	Zet in de stand OPEN.
	Verstopt brandstoffilter.	Maak hem schoon.
	Vervuild of verstopt luchtfilter.	Maak hem schoon.
	Probleem met de carburateur.	Dien een verzoek in voor inspectie en onderhoud.
	Probleem met de aandrijving.	Dien een verzoek in voor inspectie en onderhoud.
Metalen snijblad draait niet. ↓ Zet de motor onmiddellijk uit.	Bevestigingsmoer van metalen snijblad zit los.	Maak goed vast.
	Takjes zijn rond het metalen blad gewikkeld of verstopen de beschermkap.	Verwijder vreemde voorwerpen.
	Probleem met de aandrijving.	Dien een verzoek in voor inspectie en onderhoud.
Motorblok trilt abnormaal sterk. ↓ Zet de motor onmiddellijk uit.	Metalen snijblad is gebroken, verbogen of versleten.	Vervang het metalen snijblad.
	Bevestigingsmoer van metalen snijblad zit los.	Maak goed vast.
	Bolle deel van het metalen blad is verschoven ten opzichte van het steunvlak.	Bevestig hem stevig.
	Probleem met de aandrijving.	Dien een verzoek in voor inspectie en onderhoud.
Metalen snijblad stopt niet onmiddellijk. ↓ Zet de motor onmiddellijk uit.	Hoog stationair toerental.	Stel af.
	Gaskabel is losgeraakt.	Bevestig hem stevig.
	Probleem met de aandrijving.	Dien een verzoek in voor inspectie en onderhoud.
Motor slaat niet af. ↓ Laat de motor stationair draaien en zet de chokehendel in de stand DICHT.	Stekker losgeraakt.	Bevestig hem stevig.
	Probleem met het elektrisch systeem.	Dien een verzoek in voor inspectie en onderhoud.

Muchas gracias por comprar el equipo motorizado para exteriores de DOLMAR. Nos complace recomendarle el producto DOLMAR, que es el resultado de un largo programa de desarrollo y muchos años de investigación y experiencia. Lea este folleto que explica en detalle los diferentes aspectos que demostrarán su excelente rendimiento. Le ayudará a obtener los mejores resultados posibles del producto de DOLMAR.



Tabla de contenido	Página
Símbolos.....	142
Instrucciones de seguridad.....	143
Datos técnicos.....	147
Denominación de las piezas.....	148
Montaje del asidero.....	149
Montaje del eje flexible.....	150
Montaje del protector.....	151
Montaje de la cuchilla de metal o del cabezal de corte de nylon.....	153
Antes de comenzar una operación.....	154
Manejo correcto de la máquina.....	156
Cómo poner en marcha y parar el motor.....	158
Afilado de la herramienta de corte.....	161
Instrucciones de servicio.....	163
Almacenamiento.....	167
Localización y solución de averías.....	169

SÍMBOLOS

Cuando lea el manual de instrucciones se encontrará con los siguientes símbolos.

	Lea el manual de instrucciones y respete las advertencias y las precauciones de seguridad		Mantenga el área de operaciones libre de personas y animales
	¡Preste especial cuidado y atención!		Utilice un casco de seguridad y protección para los ojos y oídos.
	Prohibido		Máxima velocidad permitida de la herramienta
	Mantenga la distancia		Combustible (Gasolina)
	Peligro de que salgan despedidos objetos		Encendido manual del motor
	Contragolpe		Parada de emergencia
	No fume		Primeros auxilios
	No la acerque a llamas		ENCENDIDO/ARRANQUE
	Deben utilizarse guantes protectores		APAGADO/PARADA
	Utilice botas robustas con suela antideslizante. Se recomienda utilizar botas de seguridad con puntera de acero		

INSTRUCCIONES DE SEGURIDAD

Instrucciones generales

- Lea este manual de instrucciones para familiarizarse con el manejo del equipo. Los usuarios con una información insuficiente se pondrán en riesgo a ellos mismos y pondrán en riesgo a otros a causa de un manejo incorrecto.
- Se recomienda prestar el equipo solamente a personas con experiencia comprobada. Entregue siempre el manual de instrucciones.
- Los usuarios que utilizan por primera vez la máquina deben pedir al distribuidor instrucciones básicas para familiarizarse con el manejo de la desbrozadora.
- No se debe permitir que los niños o las personas de menos de 18 años utilicen este equipo. No obstante, las personas de más de 16 años pueden usar el dispositivo con finalidades de aprendizaje bajo la supervisión de un instructor cualificado.
- Utilice el equipo con el máximo cuidado y la máxima atención.
- Utilícelo solamente si se encuentra en buen estado físico. Realice todo el trabajo con calma y con cuidado. El usuario tiene que aceptar la responsabilidad por otros.
- Nunca utilice este equipo tras consumir alcohol o medicamentos o si se siente cansado o enfermo.
- Las normativas nacionales pueden restringir el uso de la máquina.

Uso previsto de la máquina

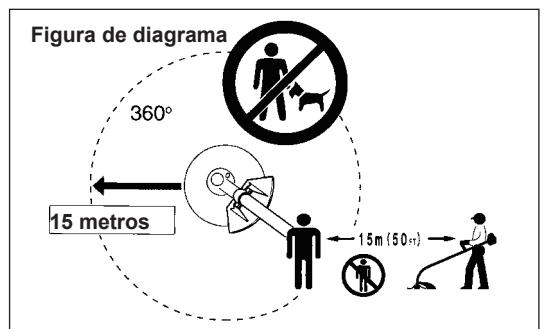
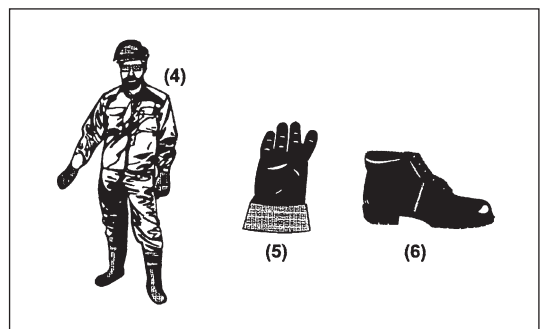
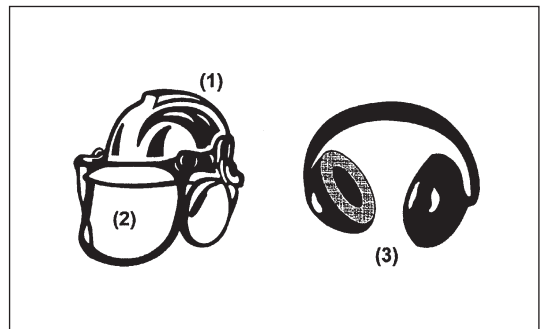
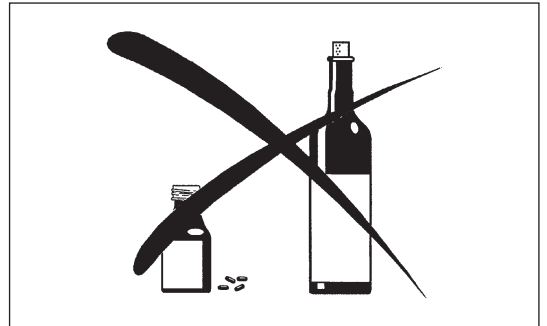
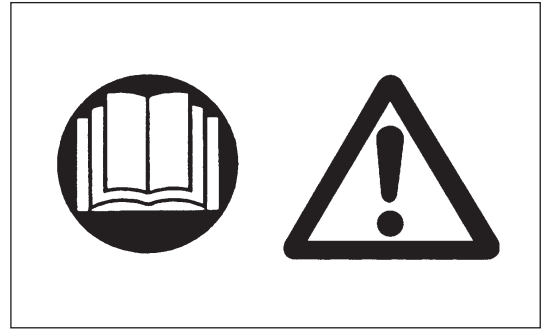
- Este equipo solamente se ha diseñado para cortar hierba, malas hierbas, arbustos y sotobosque. No se debe utilizar con ninguna otra finalidad, como canteado o cortado de setos, ya que se podrían causar heridas.

Equipo de protección personal

- Debe llevarse ropa funcional y apropiada, es decir, debe ser ajustada pero sin que sea incómoda. No lleve joyas ni prendas que puedan engancharse en arbustos o maleza.
- Para evitar lesiones en la cabeza, los ojos, las manos o los pies y para proteger los oídos, debe llevarse el siguiente equipo y la siguiente ropa de protección durante las operaciones.
- Utilice siempre un casco cuando haya riesgo de caída de objetos. Debe comprobarse periódicamente si el casco protector (1) tiene algún daño y se debe sustituir como máximo después de 5 años. Utilice solamente cascos protectores homologados.
- El visor (2) del casco (o, como alternativa, las gafas de seguridad) protege la cara de piedras y objetos que salen despedidos. Durante las operaciones utilice gafas de seguridad o un visor para evitar lesiones en los ojos.
- Utilice un equipo de protección acústica adecuado para evitar daños en el oído (protectores de oído (3), tapones para los oídos, etc.).
- El mono de trabajo (4) protege contra piedras y otros objetos que salen despedidos. Recomendamos utilizar un mono de trabajo.
- Los guantes (5) son parte del equipo obligatorio y siempre se deben utilizar durante las operaciones.
- Cuando utilice el equipo, utilice siempre zapatos robustos (6) con una suela que no resbale. De esta manera se protegerá contra lesiones y se asegurará de que los pies estén en una posición firme.

Puesta en marcha de la desbrozadora

- Asegúrese de que no haya niños u otras personas en un área de trabajo de 15 metros y preste atención también a cualquier animal que pueda estar cerca del lugar de trabajo.
- Antes del uso, compruebe que el equipo permita realizar las operaciones con seguridad:
Compruebe la seguridad de la herramienta de corte, el accionamiento sencillo de la palanca de la mariposa de gases y el correcto funcionamiento del bloqueo de la palanca de la mariposa de gases.
- No se permite girar la herramienta de corte mientras funciona en ralentí. Consulte los ajustes con su distribuidor en caso de duda. Compruebe que los asideros estén limpios y secos y pruebe el funcionamiento del interruptor de arranque/parada.

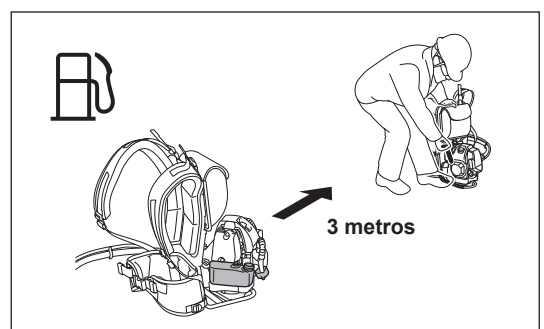
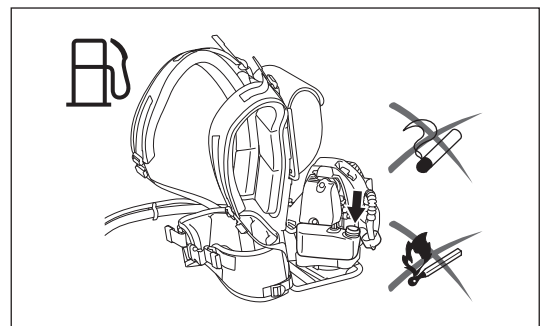
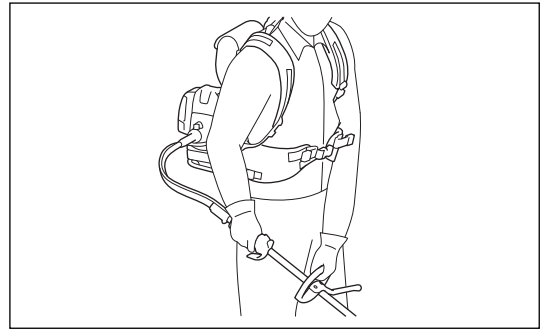
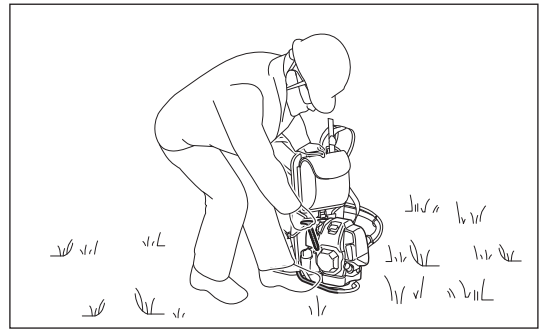


Ponga en marcha la desbrozadora únicamente de acuerdo con las instrucciones.

- No utilice ningún otro método para poner en marcha el motor.
- Utilice la desbrozadora y las herramientas solamente para las aplicaciones especificadas.
- Ponga en marcha el motor únicamente después de montar todo el conjunto. ¡Solamente está permitido utilizar el dispositivo después de colocar todos los accesorios adecuados!
- Antes de la puesta en marcha, asegúrese de que la herramienta de corte no esté en contacto con objetos duros tales como ramas, piedras, etc. ya que la herramienta de corte girará al poner en marcha la máquina.
- El motor se debe apagar inmediatamente si experimenta algún problema.
- Si la herramienta de corte golpea piedras u otros objetos duros, apague el motor inmediatamente e inspecciónela.
- Inspeccione periódicamente la herramienta de corte para comprobar si hay daños (compruebe si hay grietas finas mediante pruebas de sonido).
- Si el equipo recibe un fuerte impacto o cae, compruebe su estado antes de continuar con el trabajo. Compruebe si hay fugas en el sistema de combustible y si los dispositivos de seguridad funcionan correctamente. Si hay daños o en caso de duda, solicite a nuestro centro de servicio autorizado que realice una inspección y reparación.
- Utilice el equipo únicamente con el arnés colocado, que se debe ajustar correctamente antes de poner en marcha la desbrozadora. Es muy importante ajustar el arnés de acuerdo con la talla del usuario para evitar la fatiga durante el uso. Nunca sujete la herramienta de corte con una mano durante el uso.
- Durante las operaciones, sujete siempre la desbrozadora con ambas manos. Asegúrese siempre de que sus pies se encuentran en una posición segura.
- Utilice el equipo de forma que no inhale los gases de escape. Nunca haga funcionar el motor en lugares cerrados (riesgo de envenenamiento por gas). El monóxido de carbono es un gas inodoro.
- Apague el motor cuando descanse y cuando deje el equipo sin atender, y deje la herramienta en un lugar seguro para evitar un peligro para otras personas o que se dañe la herramienta.
- No deje nunca la desbrozadora caliente sobre hierba seca o materiales combustibles.
- Instale siempre el protector de herramienta de corte aprobado en el equipo antes de poner en marcha el motor. De lo contrario el contacto con la herramienta de corte podrá causar lesiones graves.
- Durante las operaciones se deben utilizar todos los elementos de protección y protectores suministrados con la máquina.
- Nunca haga funcionar el motor con un silenciador de escape defectuoso.
- Apague el motor durante el transporte.
- Cuando transporte el equipo, acople siempre la cubierta a la cuchilla de metal.
- Asegúrese de que el equipo esté en una posición segura durante el transporte en un vehículo para evitar fugas de combustible.
- Durante el transporte, asegúrese de que el depósito de combustible esté completamente vacío.
- Cuando descargue el equipo de un camión, nunca deje caer el motor al suelo, ya que se puede dañar gravemente el depósito de combustible.
- Excepto en caso de emergencia, nunca deje caer ni lance el equipo hacia el suelo, ya que el equipo se puede dañar gravemente.

Repostaje

- Apague el motor durante el repostaje, manténgase alejado de las llamas y no fume.
- Evite el contacto de la piel con productos de aceite mineral. No inhale el vapor de combustible. Utilice siempre guantes de protección durante el repostaje. Cambie y limpie regularmente la ropa protectora.
- Tenga cuidado de no derramar combustible o aceite para evitar la contaminación del suelo (protección medioambiental). Limpie la desbrozadora inmediatamente después de haber derramado de combustible.
- Evite el contacto del combustible con su ropa. Cambie la ropa inmediatamente si se ha derramado combustible sobre ella (para evitar que la ropa se incendie).
- Inspeccione periódicamente la tapa del depósito de combustible para asegurarse de que se puede apretar firmemente y que no tiene fugas.
- Apriete con cuidado la tapa del depósito de combustible. Cambie de lugar para poner en marcha el motor (como mínimo a 3 metros de distancia del lugar de repostaje).
- Nunca reposte en lugares cerrados. Los vapores de combustible se acumulan a nivel del suelo (riesgo de explosiones).
- El combustible solamente se debe transportar y almacenar en recipientes homologados. Asegúrese de que el combustible almacenado no esté al alcance de los niños.
- Reposte siempre sobre una superficie plana y estable para evitar derrames de combustible.



Método de trabajo

- Utilice la desbrozadora únicamente con buenas condiciones de iluminación y visibilidad. Durante el invierno tenga cuidado con las áreas húmedas o resbaladizas, hielo y nieve (riesgo de resbalar). Asegúrese siempre de que sus pies se encuentran en una posición segura.
- No corte nunca por encima de la altura de la cintura.
- Nunca se suba a una escalera.
- No se suba a árboles mientras realice la operación de corte.
- No trabaje nunca en superficies inestables.
- Elimine la arena, piedras, clavos, etc. que se encuentren en el área de trabajo. Los objetos extraños pueden dañar la herramienta de corte y provocar peligrosos contragolpes.
- Antes de comenzar a cortar, la herramienta de corte debe alcanzar la velocidad de trabajo completa.
- Cuando utilice cuchillas de metal, balancee la herramienta uniformemente en movimientos de medio círculo de derecha a izquierda, como si utilizara una guadaña.
Si hierba o ramas se enganchan entre la herramienta de corte y el protector, pare siempre el motor antes de limpiar. De lo contrario, el giro accidental de la cuchilla puede provocar lesiones graves.
- Descanse para evitar la pérdida de control a causa de la fatiga. Recomendamos descansar de 10 a 20 minutos cada hora.
- No deje que la herramienta de corte toque el suelo durante las operaciones. De lo contrario, la herramienta de corte podrá golpear un objeto y provocar lesiones personales.
- Mantenga la cuchilla de metal paralela al suelo durante las operaciones.

Herramientas de corte

- Utilice una herramienta de corte adecuada para el trabajo en cuestión.
Los cabezales de corte de nylon (cabezales de corte de hilo) son adecuados para cortar césped.
Las cuchillas de metal son adecuadas para cortar malas hierbas, hierbas altas, arbustos, maleza, sotobosque, matorrales y plantas similares.
No utilice nunca otras cuchillas, incluyendo cadenas oscilantes de varias piezas de metal y cuchillas trilladoras. De lo contrario, puede sufrir lesiones graves.
- Cuando utilice cuchillas de metal, evite el "Contragolpe" y esté siempre preparado para un contragolpe accidental. Consulte la sección "Contragolpe".

Contragolpe (empuje de la cuchilla)

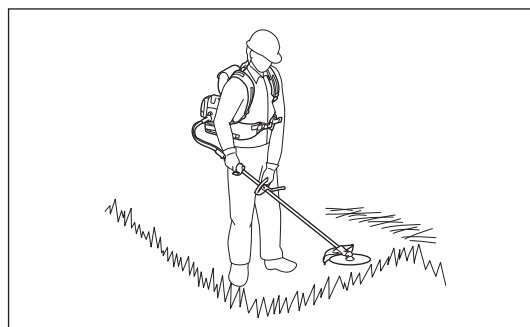
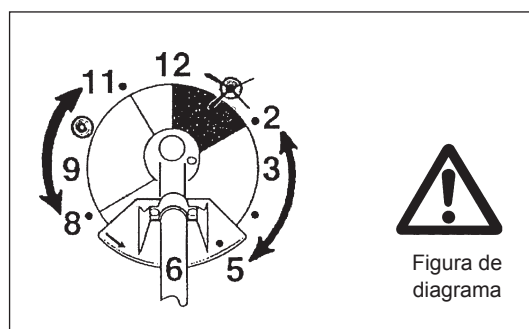
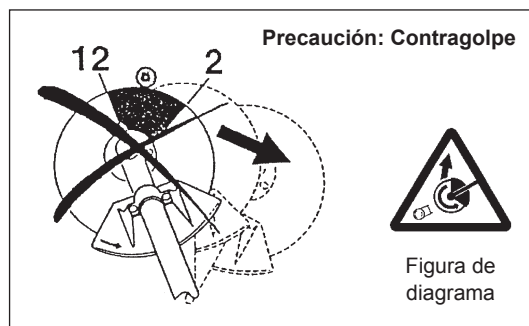
- El contragolpe (empuje de la cuchilla) es una reacción repentina a una cuchilla de metal atrapada o forzada. Cuando se produzca, el equipo saldrá despedido lateralmente o hacia el operario con una gran fuerza y puede causar lesiones graves.
- El contragolpe se produce específicamente cuando se aplica el segmento de la cuchilla entre las 12 y las 2 en punto a elementos sólidos, arbustos y árboles con un diámetro de 3 cm o superior.
- Para evitar contragolpes:
 - Aplique el segmento entre las 8 y las 11 en punto;
 - Nunca aplique el segmento entre las 12 y las 2 en punto;
 - Nunca aplique el segmento entre las 11 y las 12 en punto y entre las 2 y las 5 en punto; a menos que el operario tenga una buena formación y experiencia y lo haga bajo su propio riesgo;
 - Nunca utilice cuchillas de metal cerca de elementos sólidos, como vallas, troncos de árboles y piedras;
 - Nunca utilice las cuchillas de metal verticalmente para operaciones tales como canteado o cortado de setos.

Vibración

- Las personas con problemas circulatorios que están expuestas a vibraciones excesivas pueden sufrir lesiones en los vasos sanguíneos o en el sistema nervioso. La vibración puede provocar los siguientes síntomas en los dedos, manos o muñecas: "adormecimiento", hormigueo, dolor, sensación punzante, alteración del color de la piel o de la piel. Si sufre alguno de estos síntomas, ¡acuda a un médico!
- Para reducir el riesgo de "enfermedad de dedos blancos", mantenga las manos calientes durante las operaciones y realice un buen mantenimiento del equipo y los accesorios.

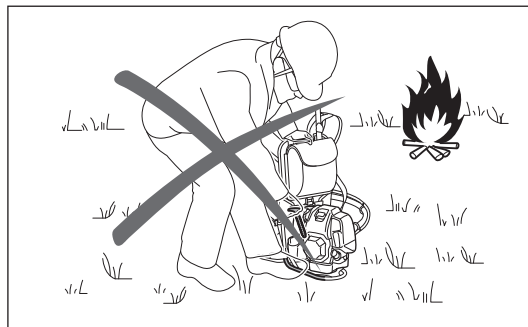
Instrucciones de mantenimiento

- Su equipo se debe reparar en nuestro centro de servicio autorizado, utilizando solamente piezas de recambio genuinas. Una reparación incorrecta o un mantenimiento deficiente pueden acortar la vida del equipo y aumentar el riesgo de accidentes.
- El estado de la desbrozadora, en concreto de la herramienta de corte, de los dispositivos protectores y también del arnés debe comprobarse antes de comenzar el trabajo. Debe prestarse especial atención a las cuchillas de metal, que deben estar afiladas correctamente.
- Apague el motor y quite el conector de la bujía cuando sustituya o afile las herramientas de corte y también cuando limpie la desbrozadora o la herramienta de corte.



Nunca enderece ni suele las herramientas de corte estropeadas.

- Preste atención al medioambiente. Evite el uso innecesario de la palanca de la mariposa de gases para reducir la contaminación y las emisiones de ruido. Ajuste el carburador correctamente.
- Limpie el equipo periódicamente y compruebe que todos los tornillos y tuercas estén bien apretados.
- Nunca repare o almacene el equipo cerca de llamas vivas.
- Guarde siempre el equipo en habitaciones cerradas con llave y con el depósito de combustible vacío.
- Durante la limpieza, el mantenimiento y el almacenamiento del equipo, acople siempre la cubierta a la cuchilla de metal.



Respete las instrucciones aplicables de prevención de accidentes emitidas por las compañías de seguros y las asociaciones comerciales relevantes.

No realice ninguna modificación en el equipo, ya que esto pondría en peligro su seguridad.

Los trabajos de mantenimiento o reparación que puede realizar el usuario se limitan a las actividades descritas en este manual de instrucciones. Todos los demás trabajos los realiza un agente de servicio autorizado. Utilice únicamente accesorios y piezas de repuesto genuinos suministrados por DOLMAR.

El uso de accesorios y herramientas que no se hayan aprobado implica un mayor riesgo de accidentes.

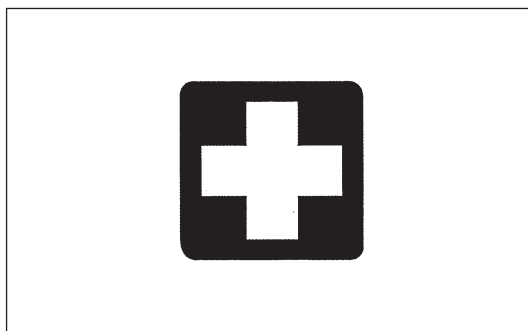
DOLMAR no acepta ninguna responsabilidad por los accidentes o los daños causados por el uso de herramientas de corte no aprobadas, por la reparación de las herramientas de corte o por accesorios.

Primeros auxilios

En caso de accidente, asegúrese de que cerca del lugar en el que se realicen las operaciones de corte esté disponible un botiquín de primeros auxilios. Reponga inmediatamente cualquier artículo que tome del botiquín de primeros auxilios.

Cuando solicite ayuda, proporcione la siguiente información:

- Lugar del accidente
- Qué ha ocurrido
- Número de personas heridas
- Tipo de lesiones
- Su nombre



Sólo para países europeos

Declaración de conformidad de la CE

Makita declara que la(s) máquina(s) siguiente(s):

Designación de máquina: Desbrozadora de Mochila a Gasolina

Modelo N.º/Tipo: MS-4300.4 R

Cumplen con las siguientes Directivas europeas:

2000/14/CE, 2006/42/CE

Están fabricadas de acuerdo con las normas o documentos normalizados siguientes:

EN ISO 11806-2

El archivo técnico de acuerdo con la norma 2006/42/CE está disponible en:

Makita, Jan-Baptist Vinkstraat 2, 3070, Bélgica

El procedimiento de valoración de conformidad requerido por la Directiva 2000/14/CE ha sido realizado de acuerdo con el anexo V.

(Con cabezal de corte de nylon)

Nivel de potencia de sonido medido: 110,6 dB

Nivel de potencia de sonido garantizado: 111 dB

(Con cuchilla de corte)

Nivel de potencia de sonido medido: 104,1 dB

Nivel de potencia de sonido garantizado: 105 dB

1.9.2014

Yasushi Fukaya
Director

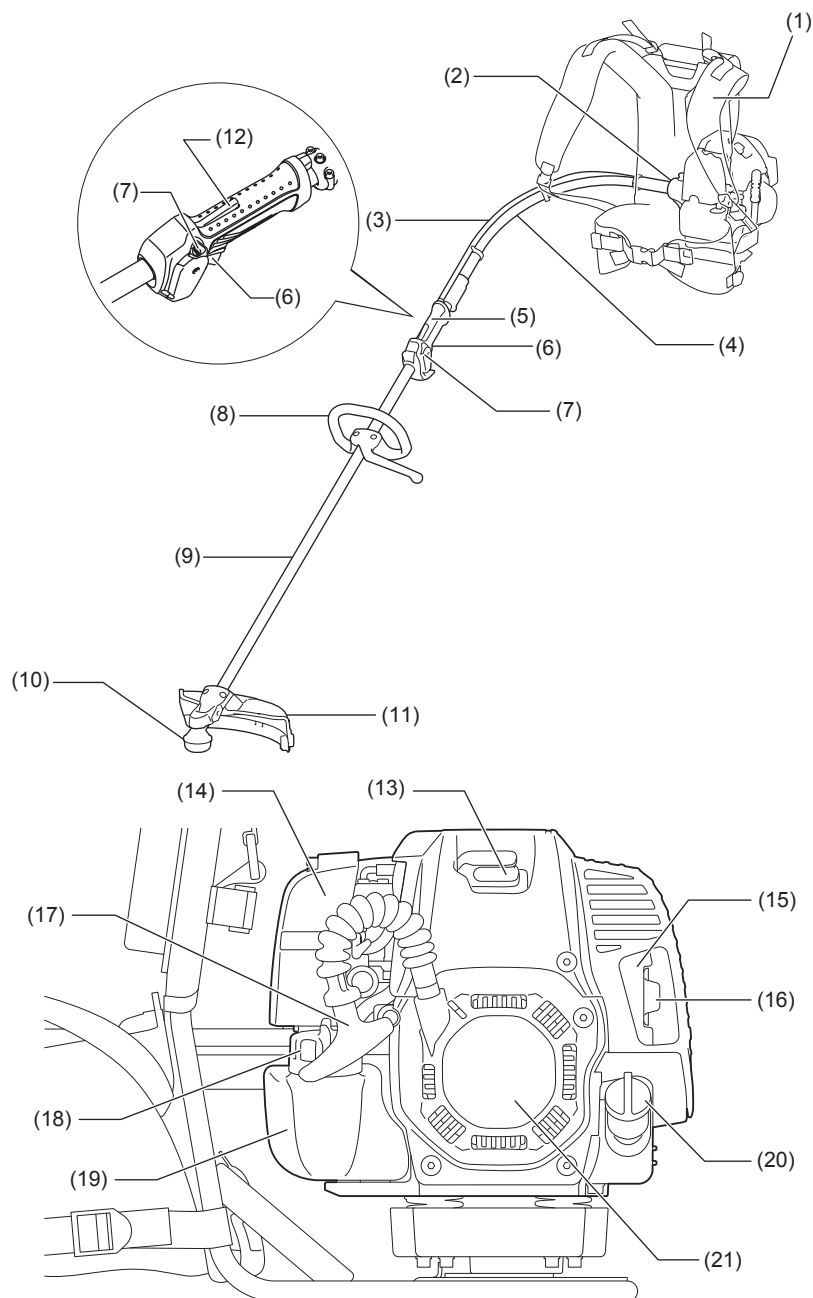
Makita, Jan-Baptist Vinkstraat 2, 3070, Bélgica

DATOS TÉCNICOS

Modelo		MS-4300.4 R			
Tipo de asidero		Asidero circular			
Dimensiones: largo x ancho x alto (sin la parte de eje flexible / recta)		mm	358 x 280 x 587		
Peso (sin protector de plástico ni herramienta de corte)		kg	12,0		
Volumen (depósito de combustible)		L	0,8		
Volumen (depósito de aceite)		L	0,1		
Cilindrada del motor		cm ³	43,0		
Potencia máxima del motor		kW	1,5 a 7.500 min ⁻¹		
Velocidad del motor a la velocidad máxima recomendada del husillo		min ⁻¹	10.500		
Velocidad máxima del husillo (correspondiente)		min ⁻¹	7.200		
Velocidad de ralentí		min ⁻¹	3.000		
Velocidad de acoplamiento de embrague		min ⁻¹	4.000		
Carburador		Tipo de diafragma			
Bujía		tipo	NGK CMR6A		
Separación entre electrodos		mm	0,7 – 0,8		
			CUCHILLA DE CORTE	CABEZAL DE CORTE DE NYLON	
Vibración de acuerdo con ISO 22867	Asidero derecho (Empuñadura trasera)	$a_{hv\ eq}$	m/s ²	2,7	2,4
		Incertidumbre K	m/s ²	0,8	0,7
	Asidero izquierdo (Empuñadura delantera)	$a_{hv\ eq}$	m/s ²	3,2	3,4
		Incertidumbre K	m/s ²	1,7	1,0
Nivel medio de presión de sonido de acuerdo con ISO 22868	$L_{PA\ eq}$	dB (A)	83,5	92,5	
	Incertidumbre K	dB (A)	1,1	1,7	
Nivel medio de potencia de sonido de acuerdo con ISO 22868	$L_{WA\ eq}$	dB (A)	104,1	110,6	
	Incertidumbre K	dB (A)	1,1	0,7	
Combustible		Gasolina de automoción (petróleo)			
Aceite de motor		Aceite SAE 10W-30 de clasificación API, clase SF o superior (aceite para motor de 4 tiempos de automoción)			
Herramientas de corte (diám. de la cuchilla de corte)		mm	440 (con cabezal de corte de nylon), 255 (con cuchilla de 3 dientes), 257 (con cuchilla de 3 dientes), 305 (con cuchilla de 2 dientes)		
Relación de engranajes		13/19			

- Debido a nuestro continuado programa de investigación y desarrollo, las especificaciones indicadas aquí están sujetas a cambio sin previo aviso.
- Las especificaciones pueden variar de un país a otro.

DENOMINACIÓN DE LAS PIEZAS



1. Arnés	2. Caja del embrague	3. Cable de control	4. Eje flexible
5. Empuñadura posterior	6. Palanca de la mariposa de gases	7. Interruptor I-O (encendido/apagado)	8. Asidero
9. Eje recto	10. Caja de engranajes	11. Protector (protección de la herramienta de corte)	12. Palanca de desbloqueo
13. Bujía	14. Filtro de aire	15. Silenciador de escape	16. Tubo de escape
17. Empuñadura de arranque	18. Tapa del depósito de combustible	19. Depósito de combustible	20. Tapa de aceite
21. Arrancador de retroceso			

MONTAJE DEL ASIDERO

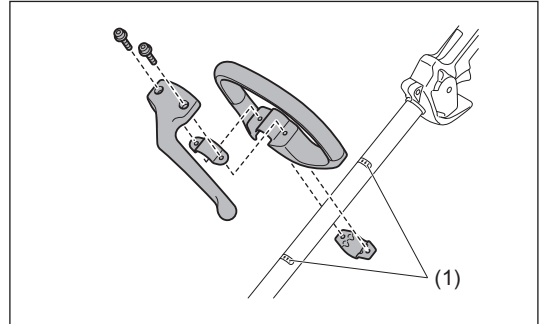
⚠ PRECAUCIÓN:

- Antes de realizar un trabajo en el equipo, detenga siempre el motor y desconecte el conector de la bujía.
- Utilice siempre guantes de protección.

⚠ PRECAUCIÓN:

- Ponga en marcha el motor únicamente después de haberlo montado completamente.

- Fije el asidero circular en el eje tal con dos tornillos.
- Para mantener una distancia adecuada entre las empuñaduras, coloque el asidero entre las marcas de flecha (1) del eje.



MONTAJE DEL EJE FLEXIBLE

Montaje del eje flexible

1. Retire el perno (1) del extremo del eje recto (2).
2. Retire la tapa del eje flexible.

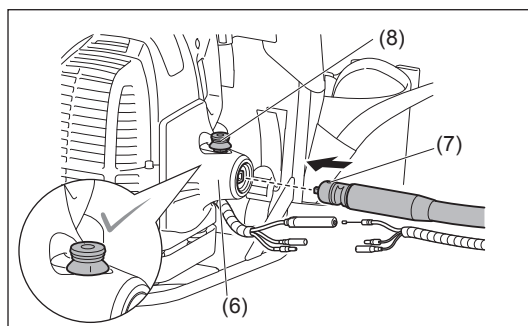
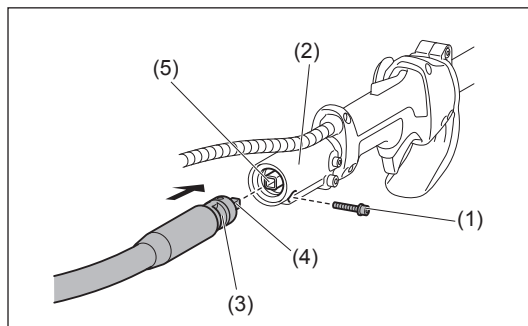
NOTA:

- No pierda la tapa. Ponga siempre la tapa cuando quite el eje flexible.
3. Gire el eje flexible de manera que la parte dentada (3) del eje flexible quede orientada hacia abajo.
 4. Alinee el eje interior cuadrado (4) con el orificio de la junta (5). Inserte el extremo del eje flexible en el soporte de tubo a fondo.
 5. Apriételes con el perno (1).

AVISO:

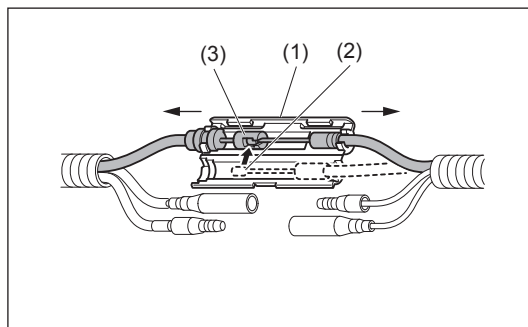
- Si resulta difícil insertar el eje flexible, alinee el eje interior cuadrado (4) otra vez.
 - No saque el eje interior más de 35 mm.
6. Alinee el orificio (7) del otro extremo del eje flexible con el pomo (8) de la caja del embrague (6), e inserte el eje flexible en la caja del embrague.
 7. Asegúrese de que el pomo chasquea al encajar en el orificio del eje flexible.

Para retirar el eje flexible de la caja del embrague, tire hacia arriba del pomo y retire el eje.



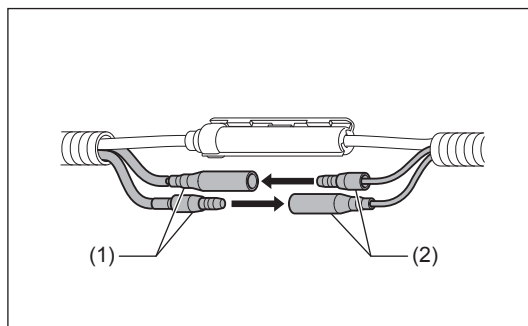
Conexión del cable de control

1. Encaje el extremo del cable de control de la palanca de control (2) en el extremo del cable de control del motor (3).
2. Ponga el cable de control de la palanca de control en el conector (1). Y después cierre el conector.
3. Asegúrese de que la mariposa de gases del carburador se mueve simultáneamente cuando tira de la palanca de la mariposa de gases.



Conexión de la unidad conductora

Conecte las unidades conductoras del motor (1) con las unidades conductoras de la palanca de control (2) conectando los terminales macho y hembra.

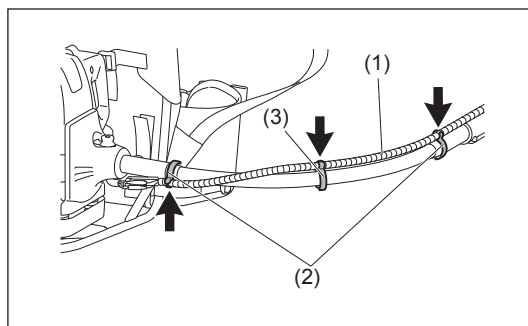


Sujeción del cable de control

Sujete el cable de control (1) en el eje flexible utilizando dos abrazaderas (2) y otra abrazadera (3) como se muestra en la ilustración.

⚠ PRECAUCIÓN:

- Asegúrese de que el cable de control está sujetado al eje flexible debidamente. El cable suelto puede engancharse en ramas, etc., y provocar lesiones personales.
- No enrolle el cable de control alrededor del eje flexible. De lo contrario la mariposa de gases podrá no funcionar debidamente.



MONTAJE DEL PROTECTOR

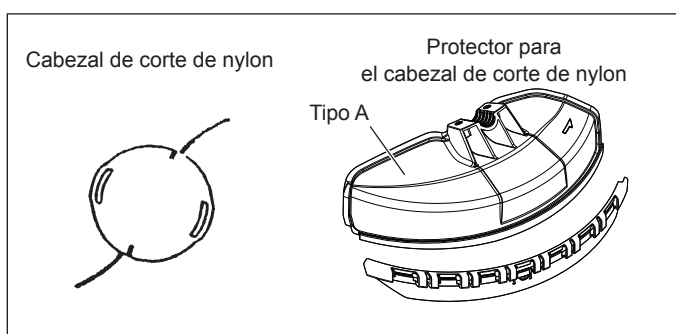
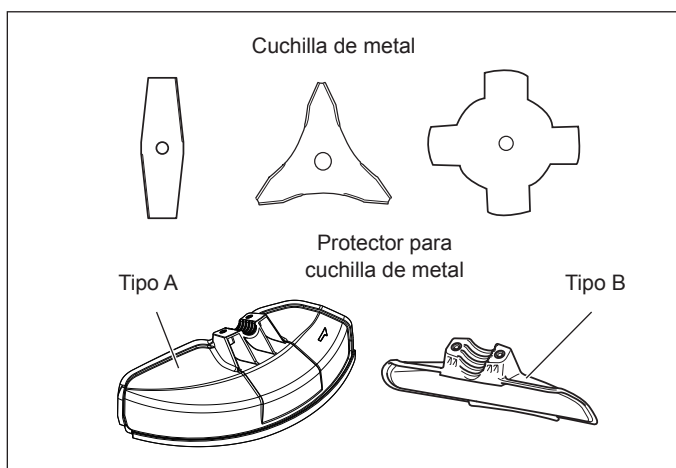
Para cumplir con las disposiciones de seguridad apropiadas, solamente se deben utilizar las combinaciones de herramienta/protector indicadas en la tabla.

⚠ PRECAUCIÓN:

- Siempre debe estar instalado el protector adecuado por su propia seguridad y para cumplir con las normativas de prevención de accidentes.
No se permite la utilización del equipo sin la protección montada.
No aplique ninguna otra combinación cuando utilice una cuchilla de sierra.

NOTA:

- La combinación estándar de herramienta de corte difiere de un país a otro.



Para cuchillas de metal

⚠ PRECAUCIÓN:

- Asegúrese de que los pernos de sujeción del protector están apretados uniformemente de modo que la holgura entre la abrazadera y el protector sea constante. De lo contrario, es posible que en algunos casos el protector no funcione del modo especificado.

(Para protector Tipo A)

Fije el protector (3) a la abrazadera (2) con dos pernos M6x30 (1).

(Para protector Tipo B)

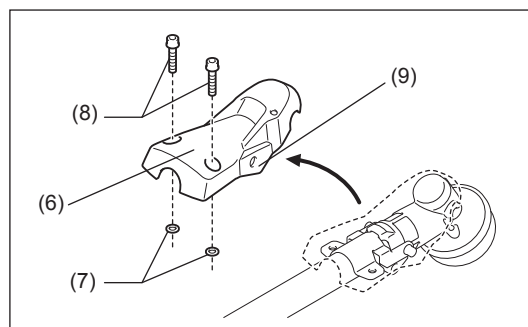
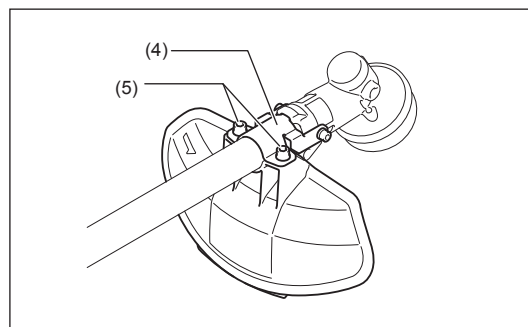
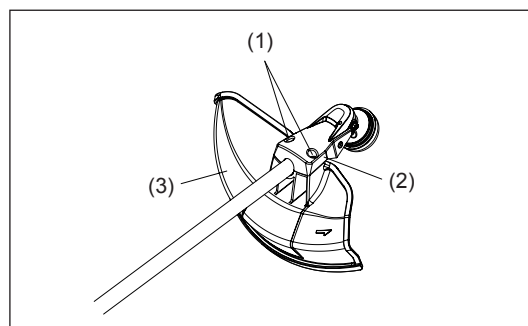
Fije el protector a la abrazadera (4) con dos pernos M6x18 (5).

Si la cubierta del protector (6) está instalada en el eje, primero retírela de la forma siguiente.

1. Retire las arandelas (7), pernos M6x30 (8) de la cubierta del protector.
2. Retire la cubierta del protector extendiendo ligeramente la aleta (9).

NOTA:

- Cuando cambie el protector de Tipo B a Tipo A, instale la cubierta del protector, los pernos M6x30 y las arandelas en el eje antes de instalar el protector.

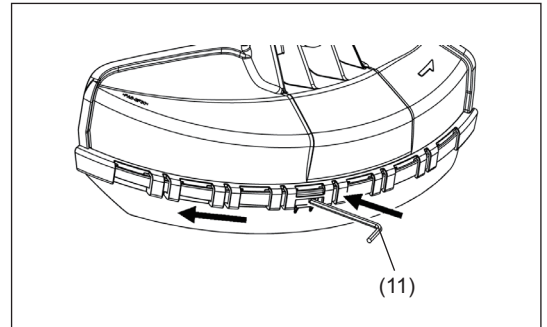
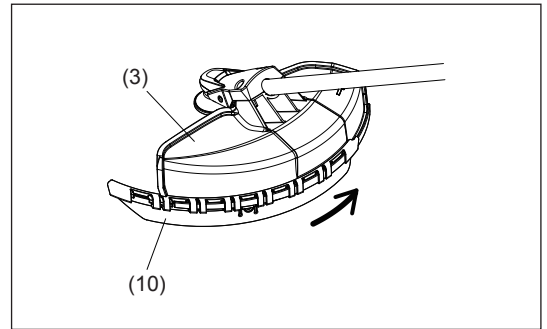


Para cabezal de corte de nylon

- Asegúrese de montar el protector del cabezal de corte de nylon (10) en el protector de la cuchilla de metal de tipo A (3) ensamblado con el protector del cabezal de corte de nylon.
- Monte el protector del cabezal de corte de nylon (10) deslizándolo en su lugar desde el costado del protector de la cuchilla de metal (3).
- Retire la cinta adherida a la cuchilla, que corta el cable de nylon, en el protector del cabezal de corte de nylon (10).

⚠ PRECAUCIÓN:

- Asegúrese de empujar el protector del cabezal de corte de nylon (10) hasta que esté completamente insertado.
Tenga cuidado de no herirse con el cabezal de corte para cortar el hilo de nylon.
- Para retirar el protector del cabezal de corte de nylon (10), aplique una llave hexagonal (11) en la ranura del protector de la cuchilla de metal (3), empújela hacia dentro y al mismo tiempo deslice el protector del cabezal de corte de nylon (10).



MONTAJE DE LA CUCHILLA DE METAL O DEL CABEZAL DE CORTE DE NYLON

Asegúrese de utilizar cuchillas de metal o cabezales de corte originales de DOLMAR.

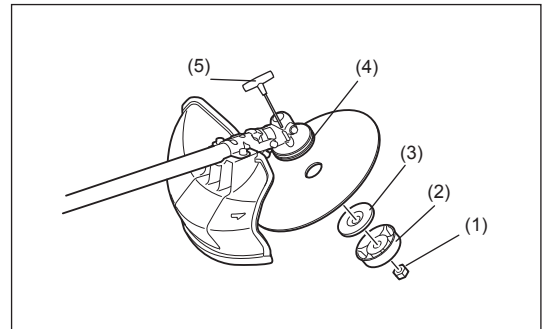
- La cuchilla de metal deberá estar afilada, sin grietas ni roturas. Si la cuchilla de metal golpea una piedra durante las operaciones, detenga la herramienta y compruebe la cuchilla inmediatamente.
- Afile o reemplace la cuchilla de metal cada tres horas de funcionamiento.
- Si el cabezal de corte de nylon golpea una piedra durante el uso, detenga la herramienta y compruebe el cabezal de corte de nylon inmediatamente.

⚠ PRECAUCIÓN:

- Siempre debe estar instalado el protector adecuado por su propia seguridad y para cumplir con las normativas de prevención de accidentes. No se permite la utilización del equipo sin la protección montada. El diámetro exterior de la cuchilla de corte debe ser de 300 mm o inferior. No utilice nunca cuchillas que tengan un diámetro exterior superior a 300 mm. Las cuchillas de metal con diámetro fuera de 305 mm se pueden utilizar solamente si son cuchillas de 2 dientes.

Ponga el eje recto al revés, y podrá reemplazar la cuchilla de metal o el cabezal de corte de nylon fácilmente.

- Inserte la llave hexagonal (5) en el orificio de la caja de engranajes y gire la arandela de apoyo (4) hasta que quede bloqueada con la llave hexagonal.
- Afloje la tuerca (1) (rosca hacia la izquierda) con la llave de vaso y retire la tuerca (1), copa (2) y la arandela de apriete (3).



Montaje de la cuchilla de metal con la llave hexagonal aún colocada

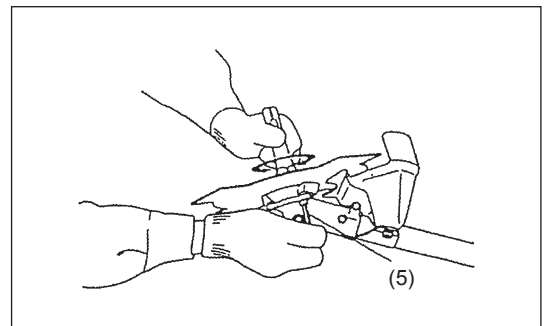
- Monte la cuchilla de metal en el eje de manera que la guía de la arandela de apoyo (4) se ajuste al orificio del eje de la cuchilla de metal. Instale la arandela de apriete (3), la copa (2) y fije la cuchilla de metal con la tuerca (1). [Par de apriete: 20 – 30 N•m]

NOTA:

- Utilice siempre guantes cuando maneje la cuchilla de metal.

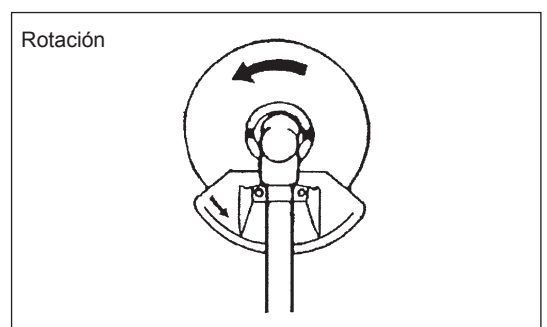
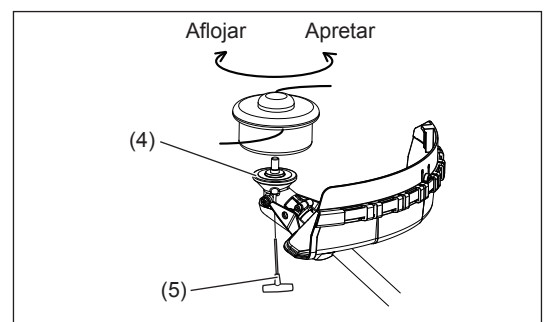
NOTA:

- La tuerca de apriete de la cuchilla de metal (con arandela de resorte) es una parte desechable. Si se aprecia algún desgaste o deformación en la arandela de resorte, reemplace la tuerca.



Montaje del cabezal de corte de nylon

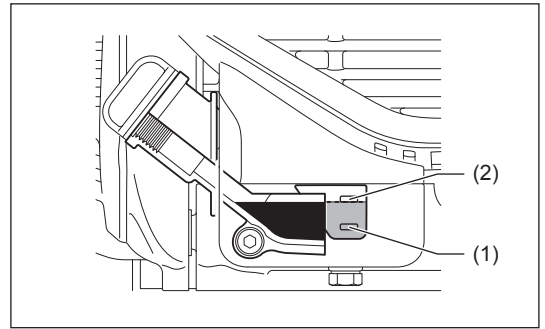
- La arandela de apriete (3), la copa (2) y la tuerca (1) no son necesarias para montar el cabezal de corte de nylon. El cabezal de corte de nylon debe colocarse encima de la arandela de apoyo (4).
- Inserte la llave hexagonal (5) en el orificio de la caja de engranajes y gire la arandela de apoyo (4) hasta que quede bloqueada con la llave hexagonal.
- A continuación, enrosque el cabezal de corte de nylon en el eje girándolo en el sentido contrario a las agujas del reloj.
- Retire la llave hexagonal.



ANTES DE COMENZAR UNA OPERACIÓN

Inspección y rellenado del aceite de motor

- Realice el siguiente procedimiento con el motor frío.
- Asegúrese de que el motor esté en una superficie horizontal plana y confirme si el nivel de aceite está entre el límite inferior (1) y superior (2) del indicador de aceite.
- Si el nivel de aceite está por debajo del límite inferior, retire la tapa de aceite y añada aceite.
- El área que rodea las marcas externas es transparente, por lo que la cantidad de aceite dentro se puede comprobar sin tener que retirar la tapa de aceite. No obstante, si el tubo de aceite está extremadamente sucio, la visibilidad puede ser nula y el nivel de aceite se tendrá que comprobar con la sección graduada del interior del tubo de aceite.
- Puede tener que rellenar aceite aproximadamente cada 10 horas de uso (cada 10 repostajes).
Si el aceite cambia de color o se mezcla con suciedad, reemplácelo con uno nuevo. (Para conocer el intervalo y el método de reemplazo, consulte la P 163.)



Aceite recomendado: Aceite SAE 10W-30 de Clasificación API, Clase SF o superior (motor de 4 tiempos para automoción)

Volumen de aceite: Aprox. 0,10 L

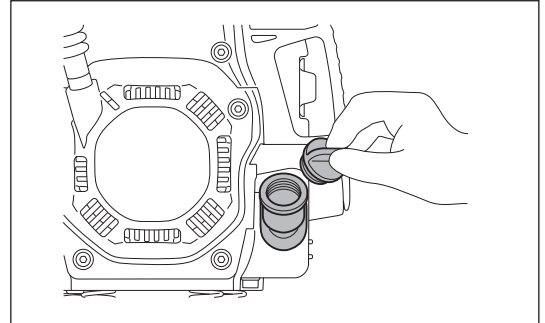
NOTA:

- Si el motor no se coloca tal y como se indica en la ilustración, en una superficie horizontal, puede producirse una indicación del nivel de aceite inexacta y puede superarse el nivel de llenado de aceite. Si se rellena por encima del límite superior se puede provocar contaminación de aceite y/o humo blanco.

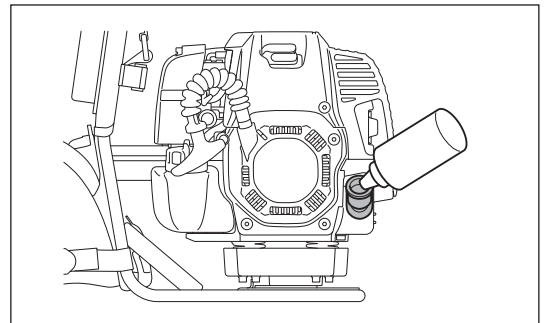
Reemplazo del aceite: “Tapa de aceite”

- Retire el polvo o la suciedad de alrededor de la abertura de rellenado de aceite y extraiga la tapa de aceite.
- Mantenga la tapa de aceite libre de tierra o suciedad. De lo contrario, la tierra o la suciedad que se adhieran a la tapa de aceite pueden causar una circulación irregular de aceite o un desgaste en las piezas del motor, lo que puede provocar problemas.

(1) Mantenga el motor nivelado y extraiga la tapa de aceite.



(2) Rellene aceite hasta la marca de límite superior.
Utilice una botella de aceite cuando rellene.



(3) Apriete firmemente la tapa de aceite. Un apriete insuficiente puede causar fugas de aceite.

NOTA:

- No rellene aceite con el motor en una posición inclinada.
- Si se rellena aceite con el motor inclinado se producirá un exceso de llenado, que provocará contaminación por aceite y/o humo blanco.

Tras el rellenado de aceite

- Limpie con un trapo el aceite derramado inmediatamente.

REPOSTAJE**Manejo del combustible**

Tenga el máximo cuidado cuando maneje el combustible. El combustible puede contener sustancias similares a los disolventes. El repostaje debe hacerse en una habitación bien ventilada o al aire libre. No inhale el vapor de combustible y evite cualquier contacto con el combustible. El contacto prolongado de la piel con estos productos hará que la piel se reseque, lo que puede provocar enfermedades en la piel o alergias. Si el combustible entra en contacto con los ojos, límpielos con agua potable. Si sus ojos siguen irritados, acuda inmediatamente a un médico.

Período de almacenamiento del combustible

El combustible debe utilizarse en un período de 4 semanas, aunque se conserve en un contenedor especial a la sombra en una zona bien ventilada.

De lo contrario, el combustible se puede deteriorar en un día.

ALMACENAMIENTO DE LA MÁQUINA Y DEL DEPÓSITO DE RELLENADO

- Mantenga la máquina y el depósito en un lugar fresco alejado de la luz directa del sol.
- Nunca guarde combustible en un vehículo.

Combustible

El motor es un motor de cuatro tiempos. Asegúrese de utilizar gasolina de automoción sin plomo de 87 octanos o más ((R+M)/2). No puede contener más de un 10% de alcohol (E-10).

Observaciones sobre el combustible

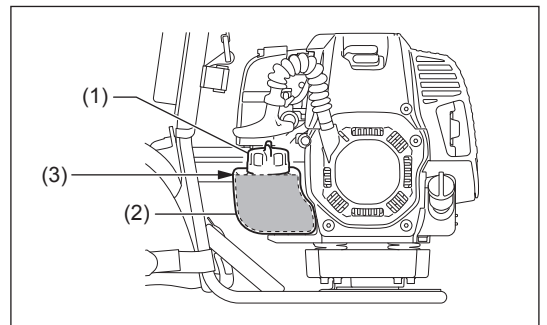
- Nunca utilice una mezcla de gasolina que contenga aceite de motor. De lo contrario, provocará una acumulación excesiva de carbonilla o problemas mecánicos.
- El uso de aceite deteriorado provocará un arranque irregular.

Repostaje**⚠ ADVERTENCIA:**

- **Apague el motor antes de repostar, manténgase alejado de las llamas y no fume.**
- Afloje la tapa del depósito (1) un poco para reducir la presión del depósito.
- Retire la tapa del depósito, y reposte. NO llene combustible más que hasta el límite superior (3).
- Limpie bien la parte exterior de la tapa del depósito de combustible para evitar que entren objetos extraños en el depósito de combustible.
- Tras el repostaje, apriete firmemente la tapa del depósito.

NOTA:

- Si hay defectos o daños en la tapa del depósito, sustitúyala.
- La tapa del depósito se desgasta con el paso del tiempo. Sustitúyala cada dos o tres años.
- NO rellene combustible en la abertura de rellenado de aceite.



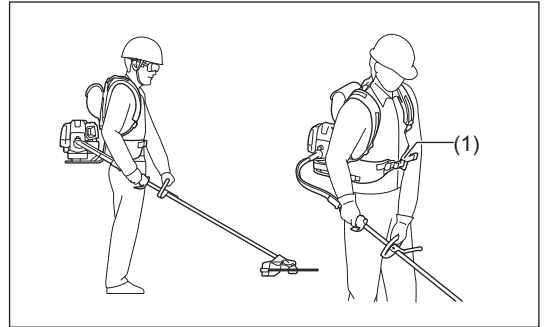
MANEJO CORRECTO DE LA MÁQUINA

⚠ ADVERTENCIA:

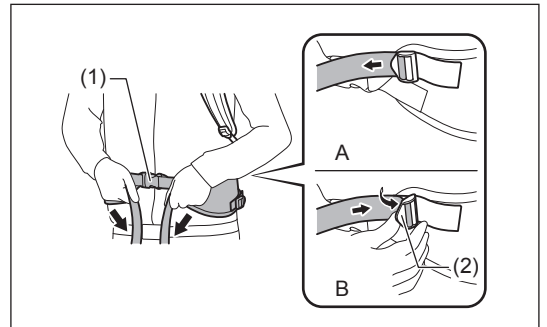
- Si no se mantiene un control completo de la máquina, se pueden causar lesiones corporales graves o la MUERTE.

Colocación del arnés

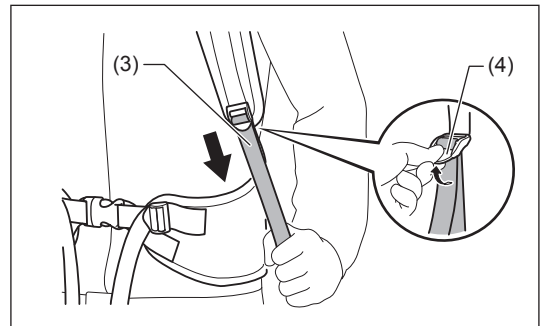
Ajuste el arnés para cargar a hombros el motor cómodamente durante las operaciones.



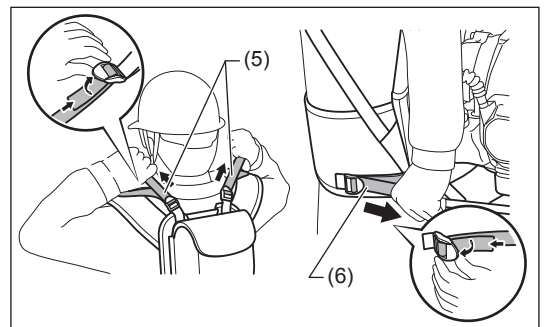
1. Ponga el arnés en su espalda, y cierre la hebilla (1).
Para apretar la correa de la cintura, tire del extremo de la correa (A).
Para aflojarla, tire hacia arriba del extremo del sujetador (2) (B).



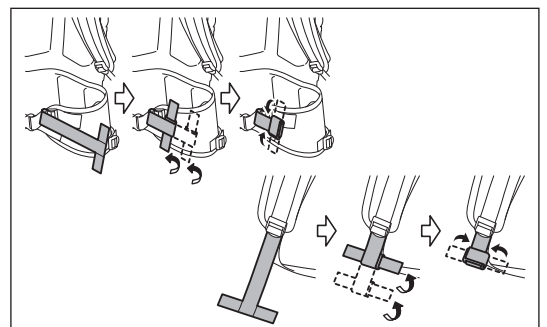
2. Ajuste la correa de hombro (3) a la longitud que le resulte cómoda para trabajar.
Para apretar la correa, tire del extremo de la correa.
Para aflojarla, tire hacia arriba del extremo del sujetador (4).



3. Ajuste las correas estabilizadoras del hombro y la cadera (5, 6). Para apretar la correa, tire del extremo de la correa. Para aflojarla, tire hacia arriba del extremo del sujetador.

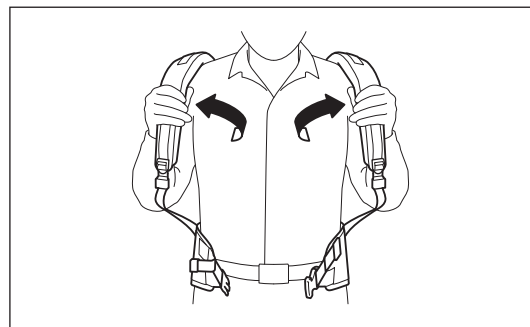
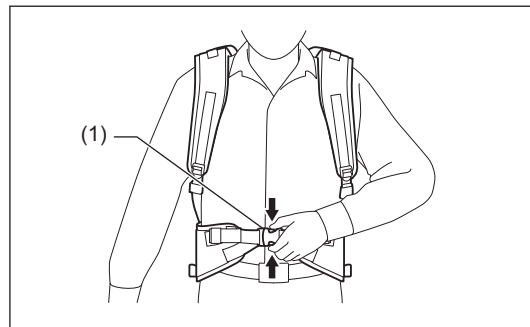


4. Enrolle las correas sobrantes y sujételas con una cinta de lazo y gancho.



Liberación de la máquina

- Para liberar la máquina, apriete los lados de la hebilla (1) y retire el arnés. Procure no perder el control de la máquina en ese momento. No permita que la máquina se desvíe hacia usted o hacia cualquiera que se encuentre cerca de usted.



CÓMO PONER EN MARCHA Y PARAR EL MOTOR

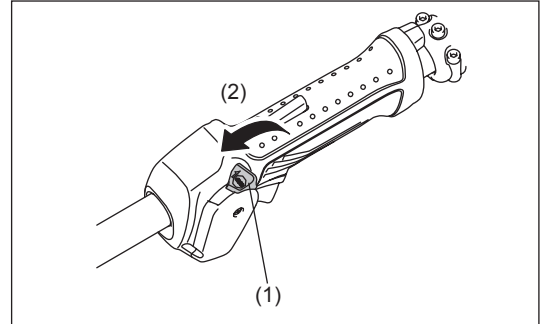
Respete las normativas de prevención de accidentes en vigor.

ARRANQUE

Aléjese 3 m como mínimo del lugar de repostaje. Coloque la unidad en el suelo, teniendo cuidado de que la herramienta de corte no entre en contacto con el suelo o con otros objetos.

A: Arranque en frío

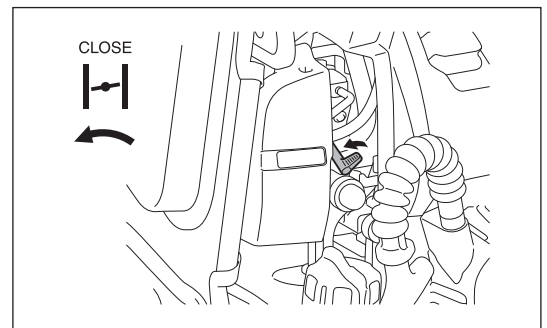
- 1) Coloque la máquina sobre una superficie plana.
- 2) Ajuste el interruptor I-O (1) en ACCIONAMIENTO (2).



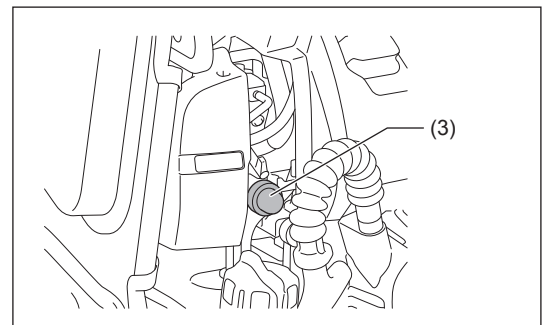
- 3) Palanca del estrangulador
Cierre la palanca del estrangulador.

Apertura del estrangulador:

- Totalmente cerrado en temperaturas frías o cuando el motor está frío.
- Apertura completa o media si el motor está un poco caliente, como cuando se vuelve a poner en marcha el motor tras detenerlo durante la operación de calentamiento.



- 4) Bomba de cebado
Siga accionando la bomba de cebado (3) hasta que el combustible entre en ella. (En general, púlsela de 7 a 10 veces.)
Si se acciona la bomba de cebado en exceso, el exceso de gasolina vuelve al depósito de combustible.



5) Arrancador de retroceso

Asegúrese de estar siempre en una posición bien equilibrada.

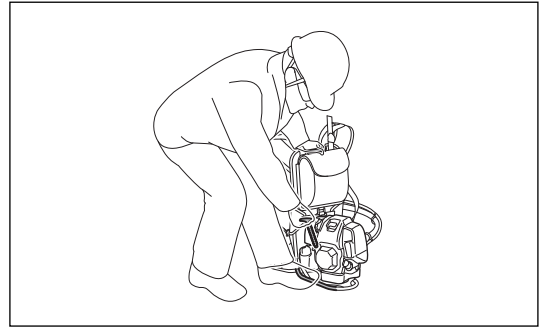
Sujete la unidad con su mano izquierda y presiónela hacia abajo firmemente.

⚠ PRECAUCIÓN:

- No permanezca sobre el cable de la mariposa de gases ni se arrodille sobre él. Se puede tirar del cable interno y la herramienta de corte puede empezar a girar accidentalmente. No abra la mariposa de gases.

Tire de la empuñadura de arranque suavemente hasta que note cierta resistencia. A continuación, devuelva la empuñadura de arranque a su posición y tire con fuerza de ella.

Nunca tire por completo de la cuerda de arranque. Cuando haya tirado de la empuñadura de arranque, no la suelte inmediatamente. Sujete la empuñadura de arranque hasta que vuelva a su posición original.



6) Palanca del estrangulador

Cuando haya puesto en marcha el motor, ajuste la palanca del estrangulador en la posición ABRIR.

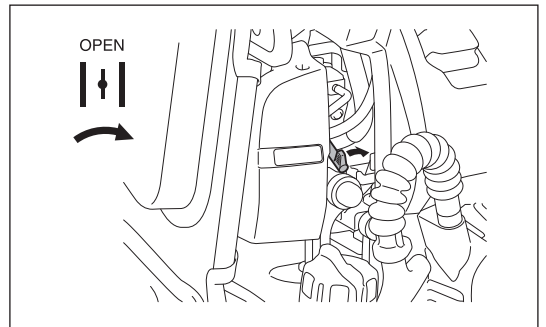
- Abra la palanca del estrangulador gradualmente mientras comprueba el funcionamiento del motor. Asegúrese de abrir la palanca de estrangulador al completo.
- En frío o cuando el motor se haya enfriado, nunca accione la palanca del estrangulador repentinamente. De lo contrario, el motor puede pararse.

7) Operación de calentamiento

Continúe con la operación de calentamiento durante 2 o 3 minutos.

AVISO:

- **No tire de la palanca de la mariposa de gases innecesariamente cuando el motor no esté en marcha.** Puede provocar una fuga de combustible del filtro de aire. En ese caso, limpie el combustible derramado. Asimismo, abra la tapa del filtro de aire, limpie el elemento y la placa del filtro de aire.



NOTA:

- No tire de la palanca de la mariposa de gases innecesariamente cuando el motor no esté en marcha. Puede provocar una inundación de combustible en el motor, lo que puede dificultar su puesta en marcha.
- Si se produce una entrada excesiva de combustible, extraiga la bujía y tire lentamente de la empuñadura de arranque para eliminar el exceso de combustible. Asimismo, seque la sección del electrodo de la bujía.
- Si el motor arranca y se para o se para poco tiempo después de ponerse en marcha, devuelva la palanca del estrangulador a la posición ABRIR, y tire de la empuñadura de arranque unas cuantas veces de nuevo para poner en marcha el motor.
- Si la palanca del estrangulador es dejada en la posición CERRAR, y simplemente se tira repetidamente de la empuñadura de arranque, se succionará demasiado combustible y el motor tendrá dificultades para ponerse en marcha.
- No aumente las revoluciones del motor innecesariamente durante la operación de calentamiento.

B: Arranque en caliente

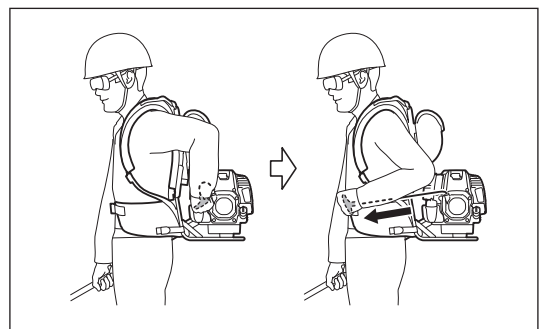
- 1) Mantenga la palanca del estrangulador completamente abierta.
- 2) Pulse la bomba de cebado repetidamente.
- 3) Mantenga la palanca de la mariposa de gases en la posición de ralentí.
- 4) Tire de la empuñadura de arranque con fuerza.

También puede volver a poner en marcha el motor mientras transporta la herramienta en la espalda.

⚠ PRECAUCIÓN:

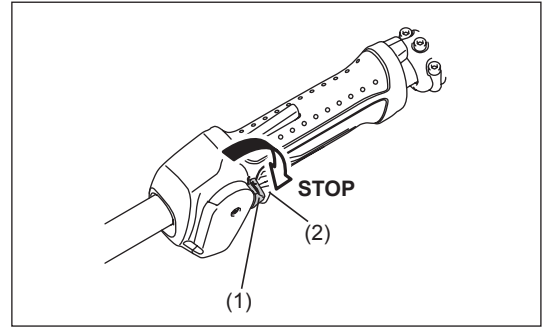
- Asegúrese de que la herramienta de corte no está tocando nada mientras la vuelve a poner en marcha.
- No tire de la palanca de la mariposa de gases al volver a poner en marcha. De lo contrario la herramienta de corte comenzará a girar.

Sujete el asidero con la mano derecha, y tire de la empuñadura de arranque con fuerza.



PARADA

- 1) Suelte la palanca de la mariposa de gases (2) completamente y, cuando se hayan reducido las RPM del motor, ajuste el interruptor I-O (1) en la posición STOP (PARADA) para detener el motor.
- 2) La herramienta de corte sigue girando un rato tras parar el motor. Espere hasta que se detenga completamente.

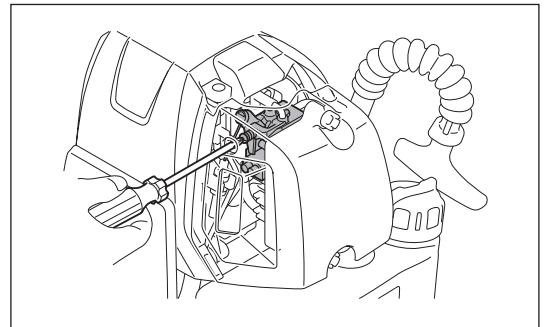


AJUSTE DE LA VELOCIDAD DE RALENTÍ

Cuando sea necesario ajustar la velocidad de ralentí, hágalo mediante el tornillo de ajuste del carburador.

COMPROBACIÓN DE LA VELOCIDAD DE RALENTÍ

- Ajuste la velocidad de ralentí en 3.000 min⁻¹.
Si resulta necesario cambiar la velocidad de ralentí, utilice un destornillador de punta Phillips en el tornillo que se muestra en la ilustración de la derecha.
- Para aumentar la velocidad de ralentí, gire el tornillo de ajuste en el sentido de las agujas del reloj.
Para reducir la velocidad de ralentí, gire el tornillo de ajuste en el sentido contrario a las agujas del reloj.
- El carburador viene ajustado de fábrica. No obstante, tras varios usos, la velocidad de ralentí se debe reajustar.



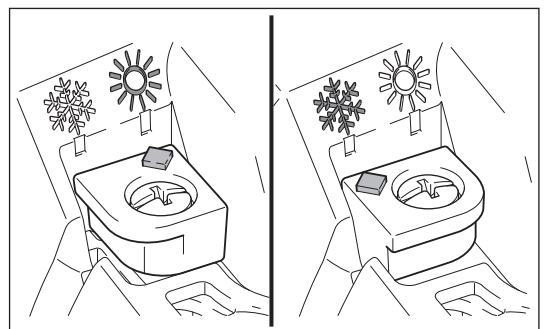
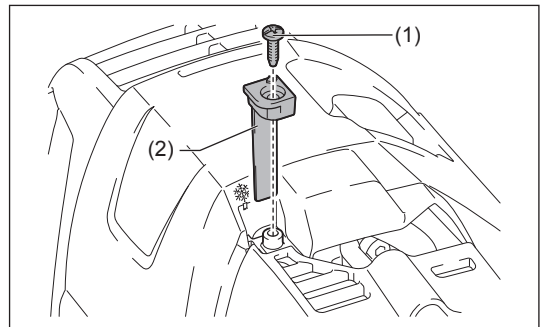
PREVENCIÓN DE LA FORMACIÓN DE HIELO EN EL CARBURADOR

⚠ PRECAUCIÓN:

- Cuando la temperatura ambiental sea superior a 10°C, devuelva siempre el deflector al ajuste normal (marca de sol). De lo contrario el motor se puede dañar por un sobrecalentamiento.

Cuando la temperatura ambiental sea baja y la humedad sea alta, el vapor de agua se puede congelar dentro del carburador y el motor puede funcionar de forma inestable (formación de hielo en el carburador). Cambie el ajuste del deflector de la siguiente manera si es necesario.

1. Retire el tornillo (1).
2. Cambie la dirección del deflector (2) de la siguiente manera:
 - La temperatura ambiental es superior a 10°C: Ajuste el deflector en la posición normal (marca de sol).
 - La temperatura ambiental es igual o inferior a 10°C: Ajuste el deflector en la posición que evita la formación de hielo (símbolo de nieve).
3. Apriete el tornillo.



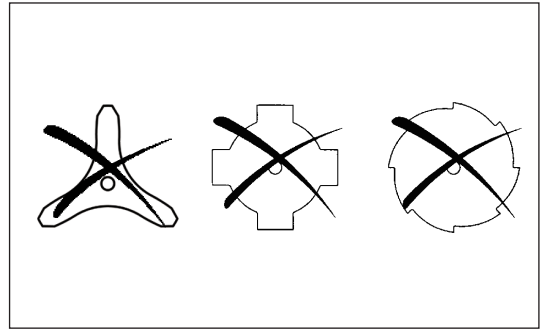
AFILADO DE LA HERRAMIENTA DE CORTE

⚠ PRECAUCIÓN:

- Las herramientas de corte que se muestran en la ilustración no se deben afilar. El afilado manual causará desequilibrios en la herramienta de corte que provocarán vibraciones y daños en el equipo.

NOTA:

- Para aumentar la duración de la cuchilla de corte dé la vuelta a la cuchilla una vez para que se gasten ambos lados.



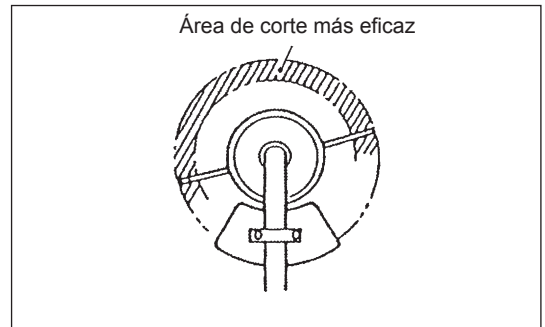
CABEZAL DE CORTE DE NYLON

El cabezal de corte de nylon es un cabezal de corte de hilo doble con mecanismos de sacudida y avance.

El cabezal de corte de nylon suelta el hilo de nylon tras golpear ligeramente el cabezal de la desbrozadora en el suelo.

Funcionamiento

- Aumente la velocidad del cabezal de corte de nylon a aproximadamente 6.000 min⁻¹.
Sacuda el cabezal de corte de nylon suavemente contra el suelo.
- El área más efectiva de corte se muestra mediante el área sombreada.
- Si el hilo de nylon no se alarga correctamente, rebóbinelo o sustitúyalo siguiendo los procedimientos descritos en "Reemplazo del hilo de nylon".

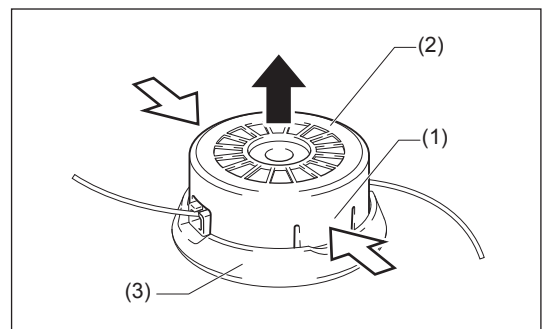


Reemplazo del hilo de nylon (SACUDIDA y AVANCE)

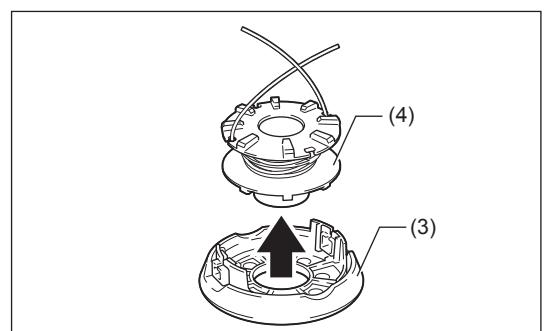
⚠ ADVERTENCIA:

- Asegúrese de que la cubierta del cabezal de corte de nylon esté fijada al chasis correctamente como se describe más abajo. Si la cubierta no se fija correctamente, el cabezal de corte de nylon puede salir despedido y provocar graves lesiones personales.

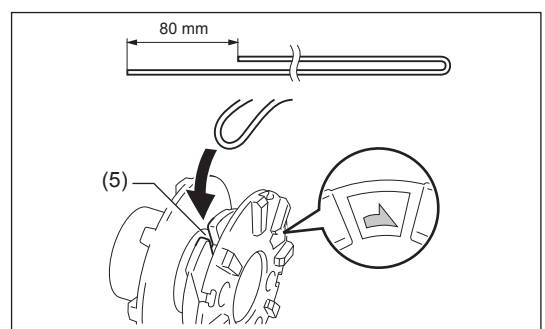
1. Presione hacia dentro los pestillos (1) del alojamiento (2) y tire hacia arriba para retirar la cubierta (3).



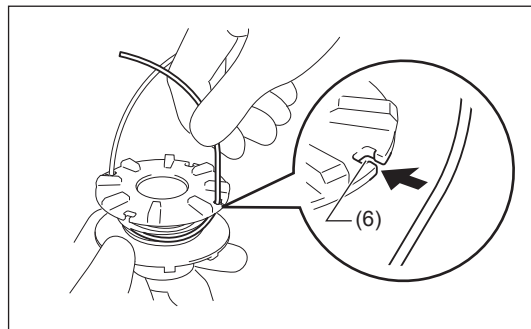
2. Suelte el hilo de nylon del ojal. Y retire el carrete (4) de la cubierta. Descarte el hilo de nylon restante.



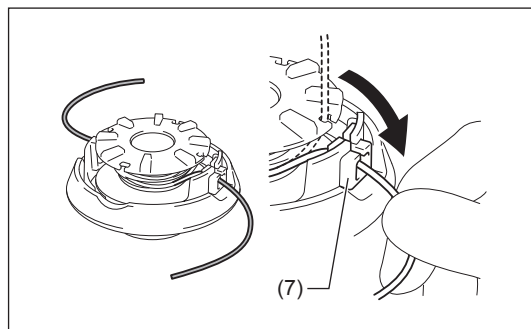
3. Enganche por la mitad el nuevo hilo de nylon en la ranura (5) que se encuentra en el centro del carrete entre los 2 canales.
Un lado del hilo debe ser unos 80 mm más largo que el otro lado.
Enrolle ambos extremos firmemente alrededor del carrete en la dirección de la marca de flecha del carrete.



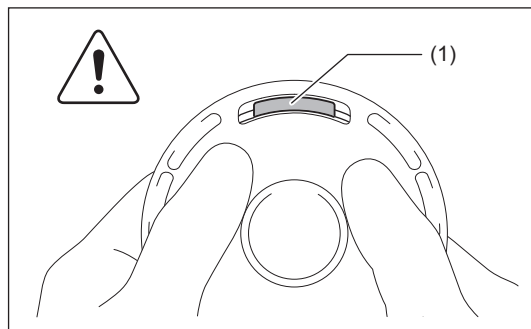
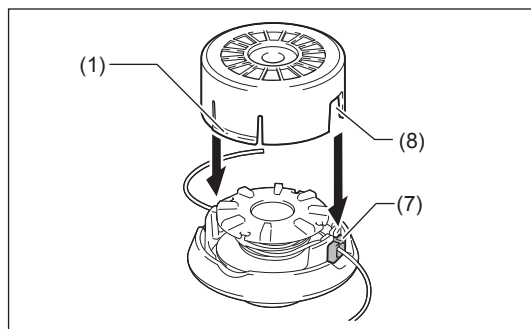
4. Enrolle la totalidad de los hilos, excepto unos 100 mm, dejando los extremos temporalmente enganchados a través de las hendiduras (6).



5. Monte el carrete en la cubierta al tiempo que las hendiduras de sujeción coinciden con los ojales (7).
Desenganche los extremos del cable de su posición temporal y extraiga los hilos a través de los ojales.



6. Alinee las hendiduras cuadradas (8) del alojamiento con los ojales (7).
Después presione el alojamiento firmemente contra la cubierta para fijarlo. Asegúrese de que los pestillos (1) están totalmente extendidos en la cubierta.



INSTRUCCIONES DE SERVICIO

⚠ PRECAUCIÓN:

- Antes de realizar algún trabajo en el equipo, detenga siempre el motor y desconecte el conector de la bujía (consulte “comprobación de la bujía”).
Utilice siempre guantes de protección.

Para garantizar una larga vida útil y para evitar daños en el equipo, realice las siguientes operaciones de mantenimiento periódicamente.

Inspección diaria y mantenimiento

- Antes de la puesta en funcionamiento, compruebe la máquina por si tiene tornillos flojos o si faltan piezas. Preste especial atención al apriete de la cuchilla de metal o del cabezal de corte de nylon.
- Antes de la puesta en funcionamiento, compruebe siempre que el conducto de paso de aire de refrigeración y las aletas del cilindro no estén obstruidas.
Límpielos si es necesario.
- Realice diariamente las siguientes operaciones tras el uso:
 - Limpie el equipo externamente y busque si hay daños.
 - Limpie el filtro de aire. Cuando trabaje en condiciones extremas de polvo, limpie el filtro varias veces al día.
 - Compruebe si la cuchilla o el cabezal de corte de nylon están estropeados y asegúrese de que se hayan montado firmemente.
 - Compruebe que haya una diferencia suficiente entre la velocidad de ralentí y la velocidad de trabajo para garantizar que la herramienta de corte esté parada mientras el motor funciona al ralentí (si es necesario, reduzca la velocidad de ralentí).
Si en las condiciones de ralentí la herramienta sigue funcionando, consulte con su agente de servicio autorizado más cercano.
- Compruebe el funcionamiento del interruptor I-O, la palanca de desbloqueo y la palanca de la mariposa de gases.

SUSTITUCIÓN DEL ACEITE DEL MOTOR

Un aceite de motor deteriorado acortará la vida útil del motor. Asegúrese de comprobar el aceite y el nivel periódicamente.



ADVERTENCIA: El motor y el aceite del motor están calientes justo después de parar el motor. Deje suficiente tiempo para que el motor y el aceite del motor se enfríen. De lo contrario puede sufrir quemaduras en la piel.

NOTA:

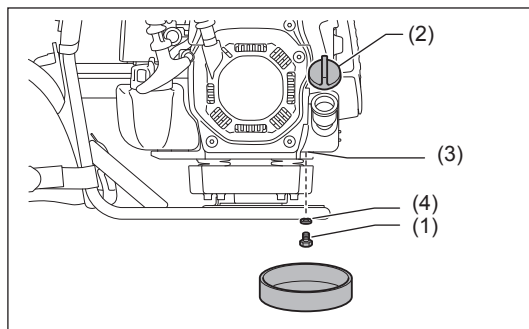
- Si se llena aceite por encima del límite, puede contaminarse o incendiarse y provocar un humo blanco. Deje suficiente tiempo tras parar el motor para que el aceite del motor vuelva al depósito del aceite para asegurar una lectura precisa del nivel de aceite.

Intervalo de sustitución: Después de las primeras 20 horas de funcionamiento, seguidas por el intervalo de cada 50 horas de funcionamiento.

Aceite recomendado: Aceite SAE10W-30 de Clasificación API Clase SF o superior (aceite de motor de 4 tiempos para automoción)

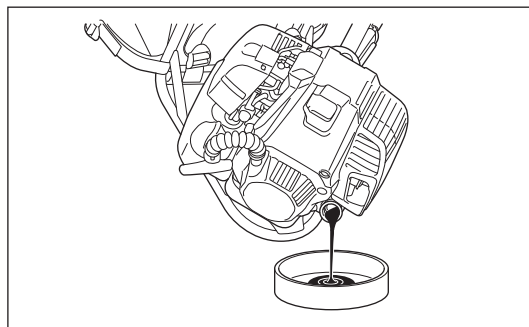
Para el reemplazo, siga este procedimiento.

- 1) Asegúrese de que la tapa del depósito de combustible esté apretada de forma segura.
- 2) Coloque un contenedor grande (bandeja, etc.) debajo del orificio de drenaje.
- 3) Retire el perno de drenaje (1) y después retire la tapa de aceite (2) para drenar el aceite por el orificio de drenaje (3).
En este punto, asegúrese de no perder la junta (4) del perno de drenaje y de no ensuciar ninguno de los componentes retirados.
- 4) Cuando se haya drenado todo el aceite, instale la junta y el perno de drenaje y apriete firmemente el perno de drenaje, de forma que no se afloje y no provoque fugas.
[Par de apriete: 5 N·m]
* Utilice un paño para limpiar el aceite que pueda haber quedado en el perno y el equipo.



Método de drenaje alternativo

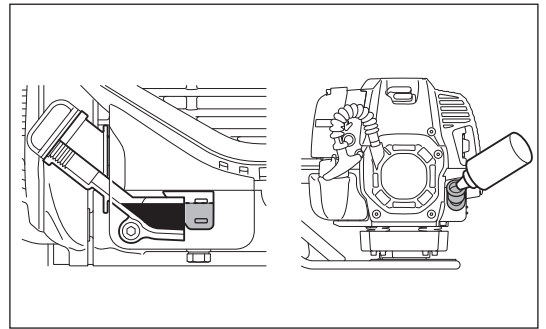
Retire la tapa de aceite, incline el equipo hacia el orificio de rellenado de aceite y drene el aceite.
Recoja el aceite en el contenedor.



- 5) Coloque el motor en una posición nivelada y rellene gradualmente hasta la marca de límite superior con aceite nuevo.
- 6) Tras el llenado, apriete firmemente la tapa de aceite, de forma que no se afloje y no provoque fugas.
Si la tapa de aceite no se aprieta firmemente, puede provocar fugas.

ASPECTOS SOBRE EL ACEITE

- Nunca deseche el aceite de motor reemplazado en la basura convencional, en el suelo o en la red de alcantarillado. La eliminación de los desechos de aceite está regulada por ley. Para eliminar esos desechos, siga siempre las leyes y normativas aplicables. Si tiene alguna duda, póngase en contacto con un agente de servicio autorizado.
- El aceite se deteriorará aunque se guarde sin utilizar. Realice la inspección y el reemplazo a intervalos periódicos (reemplace con aceite nuevo cada 6 meses).



LIMPIEZA DEL FILTRO DE AIRE



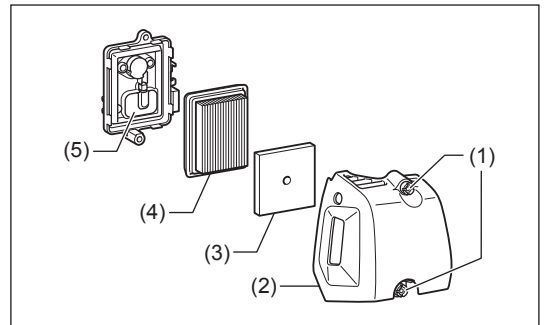
ADVERTENCIA: Apague el motor, manténgase alejado de las llamas y no fume.

Intervalo de limpieza e inspección: Diariamente (cada 10 horas de uso)

- Gire la palanca del estrangulador hasta el lado de cierre total y mantenga el carburador alejado del polvo o de la suciedad.

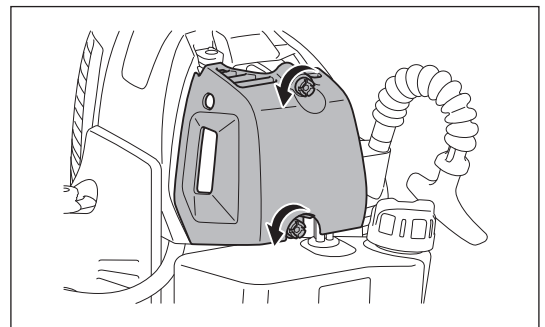
Desmontaje de la tapa del filtro de aire

- Afloje los dos pernos de fijación (1).
- Tire de la tapa (2) del filtro de aire y retírela.



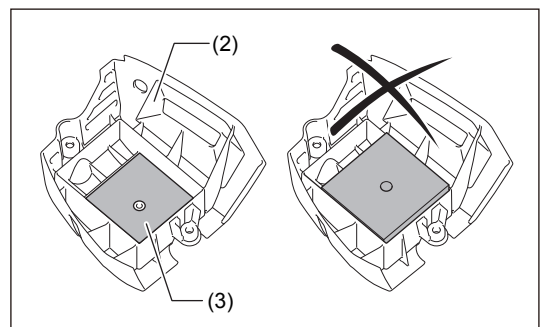
Limpieza de los elementos

- Retire los elementos (3, 4) y golpéelos suavemente para eliminar la suciedad.
- Si está muy contaminado:
 - 1) Retire el elemento (esponja) (3), sumérjalo en agua caliente o en detergente neutro diluido en agua y séquelo completamente. No lo apriete ni lo frote cuando lo lave.
 - 2) Limpie el elemento (papel) (4) golpeándolo suavemente. Si puede utilizar una pistola de soplado de aire, sople el aire comprimido al interior del elemento (papel). No lave el elemento (papel).
- Antes de montar el elemento (esponja), asegúrese de secarlo completamente. Un secado insuficiente del elemento (esponja) puede provocar dificultades para arrancar.
- Limpie con un paño desechable el aceite adherido alrededor de la tapa del filtro de aire y la placa de separación (5).



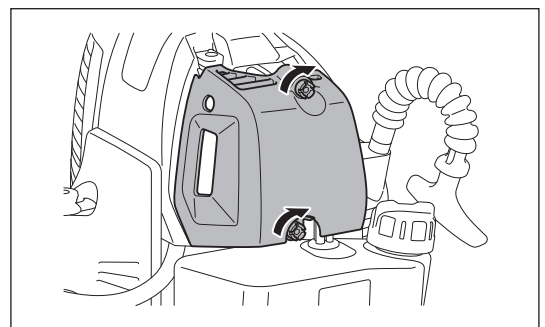
Colocación de la tapa del filtro de aire

- Encaje el elemento (esponja) y el elemento (papel). Inserte el elemento (esponja) completamente en la tapa del filtro de aire.
- Apriete la tapa del filtro de aire con dos pernos de fijación.



AVISO:

- Limpie los elementos varias veces al día si se adhiere a ellos un exceso de suciedad. Los elementos sucios reducen la potencia del motor y dificultan el arranque del motor.
- Retire el aceite de los elementos. Si se continúa con el uso sin limpiar de aceite los elementos, el aceite del filtro de aire puede caer en el exterior y provocar contaminación del medio ambiente.
- No coloque los elementos en el suelo o en un lugar sucio. Si lo hace, se ensuciarán o acumularán residuos y el motor se puede dañar.
- Nunca utilice combustible para limpiar los elementos. El combustible puede dañarlos.

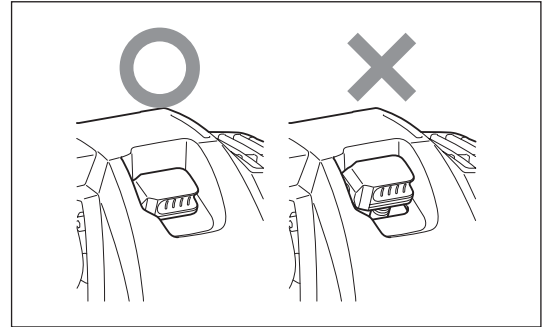
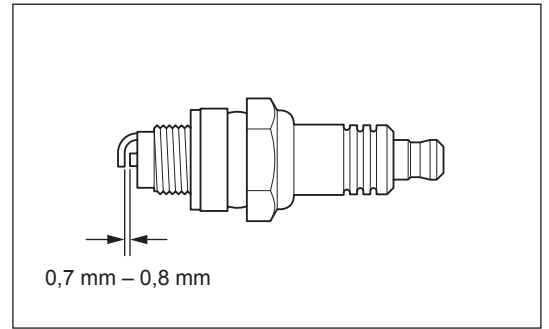


COMPROBACIÓN DE LA BUJÍA

- Utilice solamente la llave de vaso suministrada para quitar o poner la bujía.
- La holgura entre los dos electrodos de la bujía debe ser de 0,7 – 0,8 mm. Si la holgura es demasiado grande o pequeña, ajústela. Si la bujía está obstruida o contaminada, límpiela minuciosamente o reemplácela. Coloque el capuchón de la bujía correctamente, como se muestra en la ilustración, tras la comprobación.

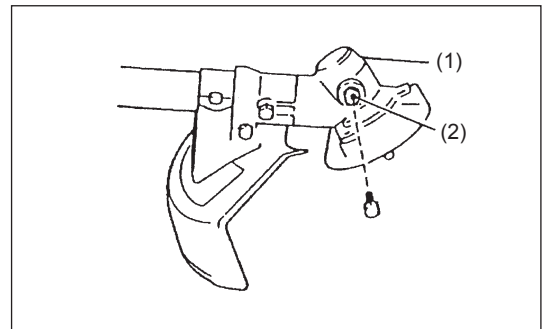
⚠ PRECAUCIÓN:

- Nunca toque el conector de la bujía mientras el motor está funcionando (peligro de recibir una descarga eléctrica de alta tensión).



SUMINISTRO DE GRASA A LA CAJA DE ENGRANAJES

- Suministre grasa (Shell Alvania 2 o equivalente) a la caja de engranajes (1) a través del orificio de engrase (2) cada 25 horas. (Puede comprar grasa original de DOLMAR en su distribuidor DOLMAR.)

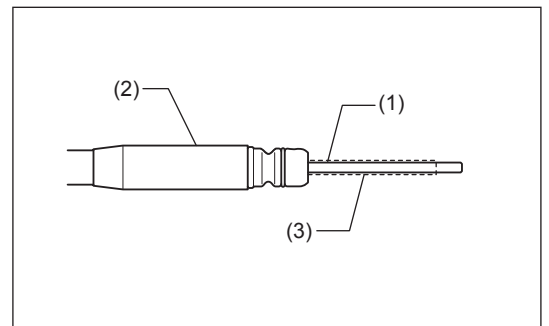


SUMINISTRO DE GRASA AL EJE FLEXIBLE

1. Retire el eje flexible de la caja del embrague y del eje fijo. Para retirar el eje flexible de la caja del embrague, tire hacia arriba del pomo y retire el eje. Para retirar el eje flexible del eje recto, quite el perno y retírelo.
2. Extraiga el eje interior (1) del forro flexible (2), y aplique grasa (Shell Alvania 2 o equivalente) (3) al eje interior cada 25 horas. (Puede comprar grasa original de DOLMAR en su distribuidor DOLMAR.)

AVISO:

- El eje flexible se puede romper si no se le aplica grasa.
- Para una vida de servicio larga de las piezas, vuelva a instalar cada extremo del eje flexible en el lado opuesto, es decir, el anterior lado del motor en el lado de la palanca de control.



LIMPIEZA DEL FILTRO DE COMBUSTIBLE

ADVERTENCIA: LOS MATERIALES INFLAMABLES ESTÁN ESTRUCTAMENTE PROHIBIDOS

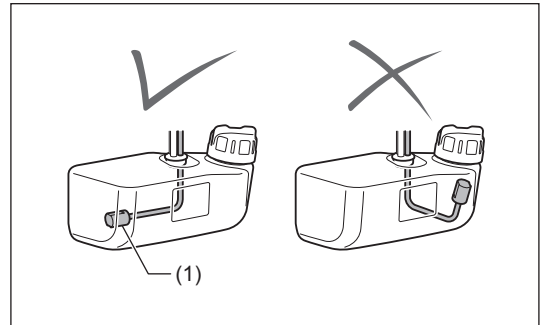
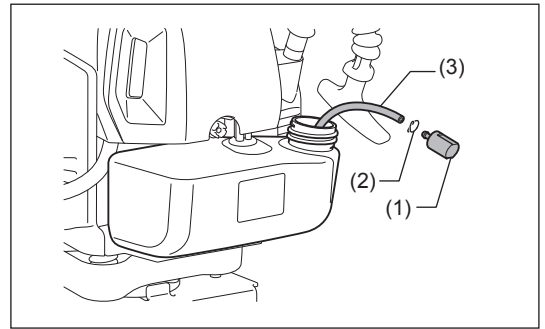
Intervalo de limpieza e inspección: Mensualmente (cada 50 horas de uso)

Cabezal de succión en el depósito de combustible

Compruebe el filtro de combustible (1) periódicamente. Para comprobar el filtro de combustible, siga los pasos de abajo:

1. Retire la tapa del depósito de combustible, drene el combustible para vaciar el depósito. Compruebe el interior del depósito para ver si hay materiales extraños. Si los hay, retírelos.
2. Extraiga el cabezal de succión utilizando un gancho de alambre a través de la abertura del depósito.
3. Si el filtro de combustible está ligeramente atascado, límpielo. Para limpiarlo, agítelo y golpéelo con cuidado sumergido en combustible. Para evitar daños, no lo apriete ni lo frote. El combustible utilizado para la limpieza deberá ser desechado de acuerdo con el método especificado en los reglamentos de su país.
Si el filtro de combustible se vuelve duro o muy obstruido, sustitúyalo.
4. Después de hacer la comprobación, la limpieza o la sustitución, inserte el filtro de combustible en el tubo de combustible (3) y fíjelo con la abrazadera para manguera (2). Empuje el filtro de aceite completamente hasta la parte inferior del depósito de combustible.

Un filtro de combustible atascado o dañado puede causar un suministro de combustible insuficiente y reducir la potencia del motor. Sustituya el filtro de combustible como mínimo trimestralmente para garantizar que llegue un satisfactorio suministro de combustible al carburador.



REEMPLAZO DEL TUBO DE COMBUSTIBLE

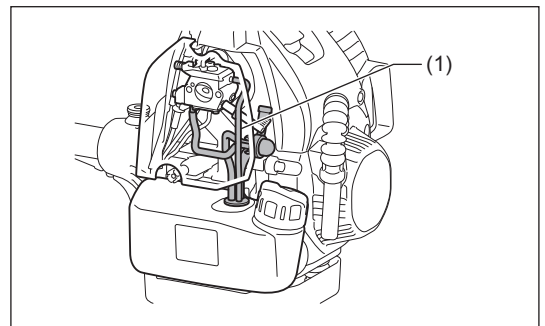
PRECAUCIÓN: LOS MATERIALES INFLAMABLES ESTÁN ESTRUCTAMENTE PROHIBIDOS

Intervalo de limpieza e inspección: Diariamente (cada 10 horas de uso)

Reemplazo: Anualmente (cada 200 horas de uso)

Reemplace el conducto de combustible (1) cada año, independientemente de la frecuencia de utilización. La fuga de combustible puede provocar un incendio.

Si se detecta una fuga durante la inspección, reemplace el conducto de combustible inmediatamente.



INSPECCIÓN DE LOS PERNOS, LAS TUERCAS Y LOS TORNILLOS

- Reapriete los pernos, tuercas y demás elementos flojos.
- Compruebe si la tapa de combustible y la tapa de aceite se han apretado firmemente. Compruebe si hay fugas de combustible y aceite.
- Reemplace las piezas dañadas con piezas nuevas para garantizar un uso seguro.

LIMPIEZA DE LAS PIEZAS

- Mantenga siempre limpio el motor con un paño de trapo.
- Mantenga las aletas del cilindro libres de polvo o suciedad. El polvo o la suciedad adheridos a las aletas provocarán el gripado del pistón.

REEMPLAZO DE LAS JUNTAS Y RETENES

Reemplace las juntas y los retenes si se desmonta el motor.

Cualquier mantenimiento o trabajo de ajuste que no se describa en este manual solamente deben realizarlo agentes de servicio autorizados.

ALMACENAMIENTO

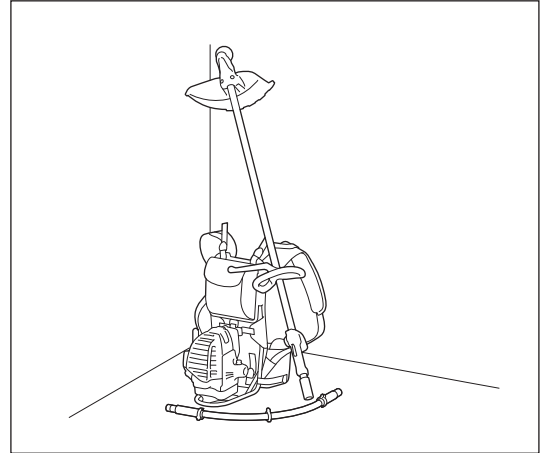


ADVERTENCIA: El motor está caliente justo después de pararlo. Cuando drene el combustible, deje suficiente tiempo para que el motor todavía se enfríe tras detenerlo. De lo contrario puede sufrir quemaduras en la piel o se puede producir un incendio.



PELIGRO: Cuando la herramienta no se vaya a usar durante mucho tiempo, drene todo el combustible del depósito de combustible y el carburador y manténgalo en un lugar seco y limpio.

- Drene el combustible del depósito de combustible y del carburador de acuerdo con el siguiente procedimiento:
 - 1) Extraiga la tapa del depósito de combustible y drene el combustible completamente.
Si queda algún objeto extraño en el depósito de combustible, retírelo completamente.
 - 2) Extraiga el filtro de combustible de la abertura de relleno con un alambre.
 - 3) Presione la bomba de cebado hasta que se haya drenado el combustible y drene el combustible que entra en el depósito de combustible.
 - 4) Coloque el filtro en el depósito de combustible y fije firmemente la tapa del depósito de combustible.
 - 5) A continuación, continúe con la máquina encendida hasta que el motor se detenga.
- Extraiga la bujía y aplique varias gotas de aceite de motor a través del orificio de la bujía.
- Tire suavemente de la empuñadura de arranque para que el aceite de motor se extienda por el motor y, a continuación, vuelva a colocar la bujía.
- Monte la cubierta en la cuchilla de metal.
- En general, almacene la máquina como se muestra en la ilustración. Preste especial atención a cómo se almacena la máquina para evitar que se caiga el eje recto. De lo contrario, se pueden provocar lesiones personales.
- Mantenga el combustible drenado en un contenedor especial en una zona a la sombra y bien ventilada.



Atención tras un almacenamiento prolongado

- Antes de poner en marcha la herramienta tras estar apagada durante un período de tiempo prolongado, asegúrese de reemplazar el aceite (consulte la P. 163). El aceite se deteriorará durante el tiempo que la máquina haya permanecido sin utilizar.

Elemento	Tiempo de funcionamiento	Antes del uso	Tras el repostaje	Diariamente (10 h)	25h	50 h	200 h	Antes del almacenamiento	P correspondiente
Aceite de motor	Inspeccione	○							154
	Debe sustituirse					○*1			163
Apretar piezas (perno, tuerca)	Inspeccione	○							166
Depósito de combustible	Limpie/inspeccione	○							—
	Vacíe el combustible							○*3	167
Palanca de la mariposa de gases	Compruebe el funcionamiento		○						—
Interruptor de parada	Compruebe el funcionamiento		○						163
Herramienta de corte	Inspeccione	○		○					153
Velocidad de ralentí	Inspeccione/ajuste			○					160
Filtro de aire	Limpie			○					164
Bujía	Inspeccione			○					165
Conducto de aire de refrigeración y aletas del cilindro	Limpie/inspeccione			○					166
Tubo de combustible	Inspeccione			○					166
	Debe sustituirse						◎*2		166
Grasa de la caja de engranajes	Rellene				○				165
Eje flexible	Engrase/cambio de la dirección de instalación				○				165
Filtro de combustible	Limpie/Reemplace					○			166
Juego de las válvulas (válvula de entrada y válvula de escape)	Inspeccione/ajuste						◎*2		—
Carburador	Vacíe el combustible							○*3	167

*1 Realice el reemplazo inicial tras 20 horas de uso.

*2 Para la inspección de las 200 horas de uso, contacte con un Agente de servicio autorizado o un taller mecánico.

*3 Tras vaciar el depósito de combustible, continúe haciendo funcionar el motor y drene el combustible del carburador.

LOCALIZACIÓN Y SOLUCIÓN DE AVERÍAS

Antes de realizar una solicitud de reparación, compruebe usted mismo el problema. Si encuentra una anomalía, controle la máquina de acuerdo con la descripción de este manual. Nunca manipule ni desmonte ninguna pieza de forma contraria a la descripción. Si es necesario realizar reparaciones, póngase en contacto con un agente de servicio autorizado o un distribuidor local.

Estado anómalo	Causa probable (mal funcionamiento)	Solución
El motor no se enciende.	El interruptor I-O está ajustado en STOP (PARADA).	Ajuste el interruptor I-O en ACCIONAMIENTO.
	No se ha accionado la bomba de cebado.	Púlsela de 7 a 10 veces.
	Se ha tirado del cable del arrancador a baja velocidad.	Tire con fuerza.
	Falta de combustible.	Reposte combustible.
	Filtro de combustible obstruido.	Limpie.
	Tubo de combustible torcido.	Enderece el tubo de combustible.
	Combustible deteriorado.	El combustible deteriorado hace que la puesta en marcha sea más difícil. Reemplácelo con combustible nuevo. (Reemplazo recomendado: 1 mes)
	Succión de combustible excesiva.	Ajuste la palanca de la mariposa de gases entre una velocidad media y alta y tire de la empuñadura de arranque hasta que se ponga en marcha el motor. Cuando se haya puesto en marcha el motor, la herramienta de corte empezará a girar. Preste atención a la herramienta de corte. Si el motor sigue sin encenderse, extraiga la bujía, seque el electrodo y vuelva a montarlos en su posición original. A continuación, arranque como se especifica.
	Tapa de la bujía suelta.	Acóplela firmemente.
	Bujía sucia.	Limpie.
	Holgura anómala de la bujía.	Ajústela.
	Otras anomalías de la bujía.	Debe sustituirse.
	Anomalía del carburador.	Solicite que se realice la inspección y mantenimiento.
No se puede tirar de la cuerda del arrancador.	Solicite que se realice la inspección y mantenimiento.	
Anomalía del sistema de transmisión.	Solicite que se realice la inspección y mantenimiento.	
El motor se para al poco tiempo. La velocidad del motor no aumenta.	Calentamiento insuficiente.	Realice la operación de calentamiento.
	La palanca del estrangulador está ajustada en "CERRAR" aunque el motor se ha calentado.	Ajústela en "ABRIR".
	Filtro de combustible obstruido.	Limpie.
	Filtro de aire sucio u obstruido.	Limpie.
	Anomalía del carburador.	Solicite que se realice la inspección y mantenimiento.
	Anomalía del sistema de transmisión.	Solicite que se realice la inspección y mantenimiento.
La cuchilla de metal no gira. ↓ Pare el motor inmediatamente.	La tuerca de apriete de la cuchilla de metal se ha aflojado.	Apriétela firmemente.
	Pequeñas ramas atrapadas por la cuchilla de metal o la cubierta para impedir su dispersión.	Retire los objetos extraños.
	Anomalía del sistema de transmisión.	Solicite que se realice la inspección y mantenimiento.
La unidad principal vibra de forma anómala. ↓ Pare el motor inmediatamente.	La cuchilla de metal está rota, doblada o gastada.	Sustituya la cuchilla de metal.
	La tuerca de apriete de la cuchilla de metal se ha aflojado.	Apriétela firmemente.
	Se ha movido la parte convexa de la cuchilla de metal y el soporte de la cuchilla de metal.	Acóplela firmemente.
	Anomalía del sistema de transmisión.	Solicite que se realice la inspección y mantenimiento.
La cuchilla de metal no se detiene inmediatamente. ↓ Pare el motor inmediatamente.	Rotación al ralentí elevada.	Ajuste.
	Se ha soltado el cable de la mariposa de gases.	Acóplelo firmemente.
	Anomalía del sistema de transmisión.	Solicite que se realice la inspección y mantenimiento.
El motor no se para. ↓ Haga funcionar el motor al ralentí y ajuste la palanca de la mariposa de gases en "CERRAR".	Conector desconectado.	Acóplelo firmemente.
	Anomalía del sistema eléctrico.	Solicite que se realice la inspección y mantenimiento.

Obrigado por ter adquirido o Equipamento Elétrico para Exteriores da DOLMAR. Temos o orgulho de recomendar um produto DOLMAR que é o resultado de um longo programa de desenvolvimento e de muitos anos de conhecimento e experiência.

Leia esta brochura cuidadosamente, que refere em pormenor os vários pontos que irão demonstrar o seu fantástico desempenho. Irá ajudá-lo a obter os melhores resultados possíveis do seu produto DOLMAR.



Índice

Página

Símbolos.....	170
Instruções de segurança	171
Dados técnicos	175
Designação de peças.....	176
Montagem da pega.....	177
Montagem do eixo flexível.....	178
Montagem do protector	179
Montagem da lâmina metálica ou da cabeça de corte em nylon	181
Antes de iniciar o funcionamento	182
Manuseamento correcto da máquina	184
Como arrancar e parar o motor.....	186
Voltar a afiar a ferramenta de corte.....	189
Instruções de serviço.....	191
Armazenamento	195
Resolução de problemas.....	197

SÍMBOLOS

Tome atenção aos seguintes símbolos ao ler o manual de instruções.

	Leia o manual de instruções e siga os avisos e as precauções de segurança!		Mantenha a área de funcionamento livre de pessoas e animais!
	Tenha um cuidado e atenção especiais!		Use um capacete e protecção para os olhos e ouvidos!
	Proibido!		Velocidade máxima admissível da ferramenta
	Mantenha-se afastado!		Combustível (Gasolina)
	Perigo de objectos voadores!		Arranque manual do motor
	Recuo!		Paragem de emergência
	Proibido fumar!		Primeiros-socorros
	Sem chamas abertas!		LIGAR/ARRANCAR
	Deve utilizar luvas de protecção!		DESLIGAR/PARAR
	Use botas resistentes com solas não derrapantes. Recomenda-se a utilização de botas de segurança com biqueira de aço!		

INSTRUÇÕES DE SEGURANÇA

Instruções gerais

- Leia este manual de instruções para se familiarizar com o manuseamento do equipamento. Os utilizadores que não receberam informações suficientes podem colocar outras pessoas e a si próprio em risco devido a manuseamento incorreto.
- É aconselhável emprestar o equipamento apenas a pessoas que demonstraram ter experiência.
Empreste-lhes sempre este manual de instruções ao mesmo tempo.
- Se é a primeira vez que utiliza roçadeiras consulte o seu revendedor para instruções básicas.
- As crianças e jovens com menos de 18 anos não devem operar este equipamento. As pessoas com mais de 16 anos podem, no entanto, utilizar o dispositivo para efeitos de formação, apenas durante a supervisão de um formador qualificado.
- Utilize com o máximo de cuidado e atenção.
- Utilize apenas se estiver em boas condições físicas. Efectue todos os trabalhos com calma e cuidado. O utilizador deve aceitar a responsabilidade pelas outras pessoas.
- Nunca utilize o equipamento após o consumo de álcool ou drogas, ou se estiver cansado ou doente.
- As regulamentações nacionais podem proibir a utilização da máquina.

Utilização pretendida da máquina

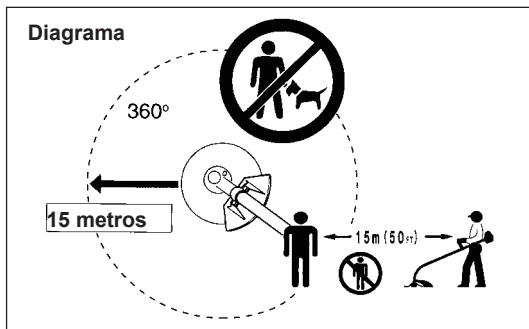
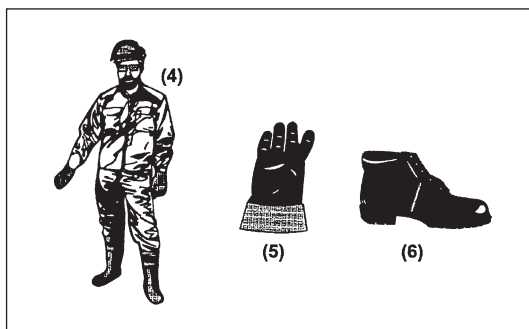
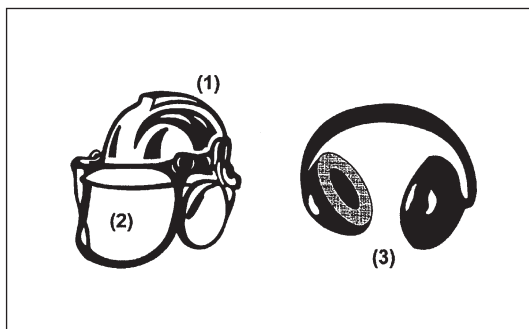
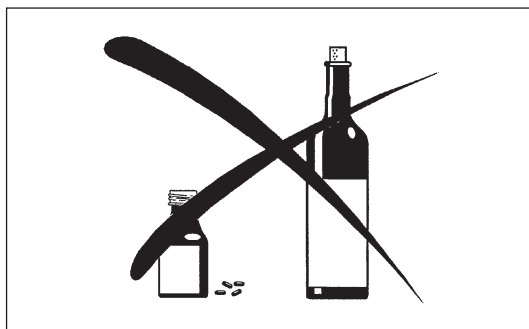
- Este equipamento destina-se apenas a cortar relva, ervas daninhas, arbustos, vegetação rasteira. Não deve ser utilizado para qualquer outro fim, como aparar ou cortar sebes, uma vez que isto pode provocar ferimentos.

Equipamento de protecção pessoal

- O vestuário utilizado deve ser funcional e apropriado, ou seja, deve ser justo mas não pode estorvar. Não utilize joalharia ou roupas que possam ficar presas nos arbustos.
- Para evitar ferimentos na cabeça, olhos, mãos ou pés, assim como para proteger a sua audição, deve utilizar o seguinte equipamento e roupa de protecção durante o funcionamento.
- Utilize um capacete sempre que existir risco de queda de objetos. Deve verificar regularmente se existem danos no capacete protector (1) e deve substituí-lo, no mínimo, após 5 anos. Utilize apenas capacetes protectores aprovados.
- A viseira (2) do capacete (ou óculos, em alternativa) protege o rosto de resíduos e pedras projetadas. Durante a utilização, utilize sempre óculos ou uma viseira para evitar ferimentos oculares.
- Use equipamento de protecção contra ruído adequado para evitar deficiências auditivas (protector auditivo (3), tampões para os ouvidos etc.).
- Os fatos-macaco (4) protegem contra pedras e resíduos. Recomendamos vivamente que o utilizador use fatos-macaco.
- As luvas (5) fazem parte do equipamento indicado e devem ser sempre utilizadas durante a utilização.
- Ao usar o equipamento, use sempre sapatos resistentes (6) com uma sola não derrapante. Este tipo de sapatos protege-o contra ferimentos e garante um bom posicionamento.

Ligar a roçadeira

- Certifique-se de que não há crianças nem outras pessoas num raio de 15 metros do local de trabalho. Tome igualmente atenção a quaisquer animais perto da área de trabalho.
- Antes da utilização, certifique-se sempre de que o equipamento está seguro: Certifique-se de que a ferramenta de corte é segura, de que a alavanca de aceleração pode ser operada facilmente e de que o bloqueio da alavanca de aceleração está a funcionar correctamente.
- A rotação da ferramenta de corte durante a marcha lenta é proibida. Consulte o seu revendedor se achar que o equipamento pode precisar de ajustes. Certifique-se de que as pegadas estão limpas e secas e verifique se o interruptor de arranque/paragem está a funcionar correctamente.

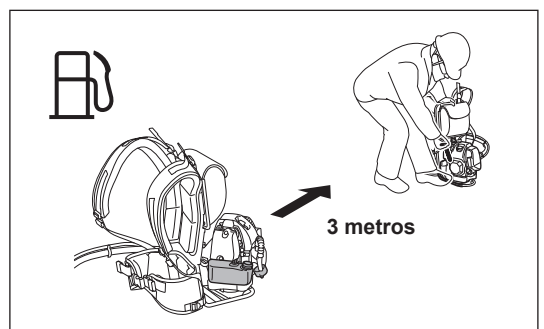
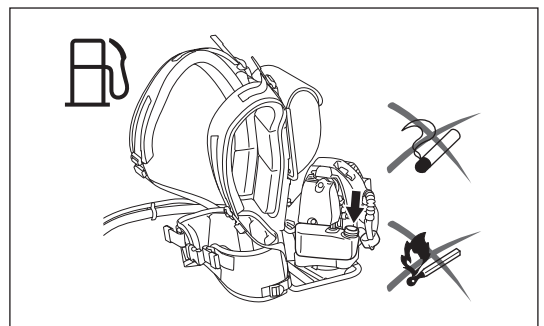
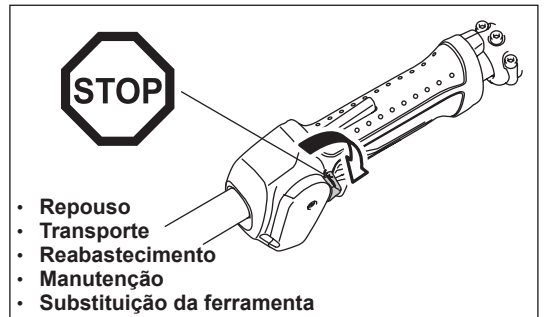
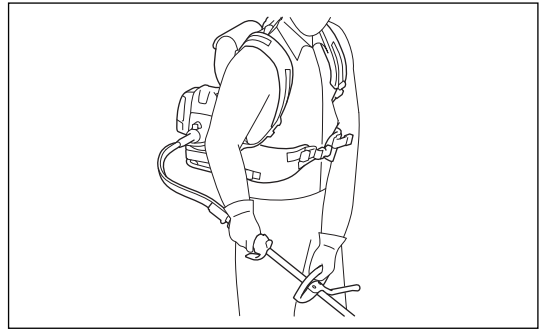
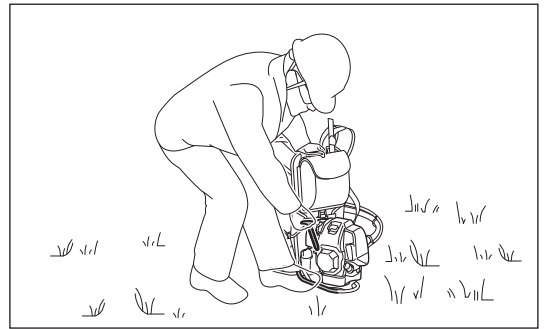


Ligue a roçadeira apenas de acordo com as instruções.

- Não utilize outros métodos para arrancar o motor!
- Utilize a roçadeira e as ferramentas apenas para as aplicações especificadas.
- Ligue o motor apenas após a conclusão da montagem. Não opere o equipamento até que todos os acessórios apropriados estejam fixos!
- Antes de arrancar, certifique-se de que a ferramenta de corte não está em contacto com objectos duros como ramos, pedras etc., uma vez que a ferramenta de corte irá rodar ao arrancar.
- Desligue o motor imediatamente se ocorrer algum tipo de problema no motor.
- Caso a ferramenta de corte atinja pedras ou outros objectos duros, desligue imediatamente o motor e inspeccione a ferramenta de corte.
- Inspeccione a ferramenta de corte em intervalos curtos regulares para se certificar de que não está danificada (detecção de fissuras utilizando o teste do toque).
- Se o equipamento sofrer um impacto forte ou queda, verifique o seu estado antes de continuar a trabalhar. Verifique o sistema de combustível por fugas de combustível e os comandos e dispositivos de segurança por avarias. Se existirem danos ou se surgirem dúvidas, peça uma inspeção e reparação no nosso centro de serviço autorizado.
- Opere o equipamento apenas com o arnês junto, o qual deve ser corretamente ajustado antes de colocar a roçadeira em funcionamento. É essencial que o arnês esteja ajustado ao tamanho do utilizador para evitar fadiga durante o manuseamento do equipamento. Nunca segure a roçadeira com uma mão durante a utilização.
- Durante o funcionamento, segure sempre a roçadeira com ambas as mãos. Certifique-se sempre de que tem um apoio seguro.
- Opere o equipamento de maneira a evitar a inalação dos gases de escape. Nunca arranque o motor num espaço fechado (risco de envenenamento por gás). O monóxido de carbono é um gás inodoro.
- Desligue sempre o motor quando estiver em repouso, ou se pretende deixar o equipamento sem vigilância, e coloque-o num local seguro para evitar ferimentos a outras pessoas e danos no equipamento.
- Nunca coloque a roçadeira quente sobre a relva seca ou em quaisquer outros materiais combustíveis.
- Instale sempre o resguardo aprovado da ferramenta de corte no equipamento antes de pôr o motor a funcionar. Caso contrário, o contacto com a ferramenta de corte pode provocar ferimentos graves.
- Durante a operação deve utilizar todas as peças e resguardos de proteção fornecidos com a máquina.
- Nunca opere o motor se o silenciador de escape estiver avariado.
- Desligue o motor durante o transporte.
- Ao transportar o equipamento, instale sempre a tampa na lâmina metálica.
- Certifique-se de que o equipamento está seguro durante o transporte automóvel, de modo a evitar fugas de combustível.
- Durante o transporte, certifique-se de que o depósito de combustível está totalmente vazio.
- Quando descarregar o equipamento, nunca deixe cair o motor no chão, uma vez que tal pode danificar gravemente o depósito de combustível.
- Excepto em caso de emergência, nunca deixe cair nem atire o equipamento ao chão uma vez que isto pode danificá-lo gravemente.

Reabastecimento

- Desligue o motor durante o reabastecimento de combustível, mantenha-se longe das chamas abertas e não fume.
- Evite o contacto de produtos de óleo mineral com a pele. Não inale o vapor do combustível. Use sempre luvas de proteção durante o reabastecimento. Troque e limpe o vestuário de proteção regularmente.
- Tenha cuidado para não derramar combustível ou óleo no solo para evitar contaminação (proteção ambiental). Limpe a roçadeira imediatamente após o derramamento de combustível.
- Evite qualquer contacto do combustível com o vestuário. Mude imediatamente de roupa se derramar combustível sobre a mesma (para evitar que o vestuário pegue fogo).
- Inspeccione o tampão do depósito em intervalos regulares para se certificar de que está bem seguro e não pinga.
- Aperte, com cuidado, a tampa do depósito de combustível. Mude de local para arrancar o motor (pelo menos a 3 metros de distância do local onde reabasteceu).
- Nunca reabasteça em ambientes fechados. Os vapores de combustível acumulam ao nível do solo (risco de explosões).
- Apenas transporte e armazene o combustível em recipientes aprovados. Certifique-se de que o combustível armazenado não é acessível a crianças.
- Reabasteça sempre sobre uma superfície plana e estável para evitar derrames de combustível.



Método de funcionamento

- Utilize apenas com boa iluminação e visibilidade. Durante a época de Inverno, tenha cuidado com áreas escorregadias ou molhadas, gelo e neve (risco de escorregar). Certifique-se sempre de que tem um apoio seguro.
- Nunca corte acima da altura dos ombros.
- Nunca suba para uma escada.
- Nunca trepe árvores para efectuar uma operação de corte.
- Nunca trabalhe em superfícies instáveis.
- Remova areia, pedras, pregos etc encontrados na área de trabalho. Partículas estranhas podem danificar a ferramenta de corte e causar recuos perigosos.
- Antes de começar a cortar, certifique-se de que a ferramenta de corte atingiu a velocidade de funcionamento completa.
- Quando utilizar lâminas metálicas, oscile a ferramenta uniformemente em meio círculo, da direita para a esquerda, como se estivesse a utilizar uma foice.
Se a relva ou ramos ficarem presos entre a ferramenta de corte e o resguardo, pare sempre o motor antes de limpar. Caso contrário, a rotação involuntária da lâmina pode provocar danos graves.
- Tire alguns momentos para descansar para evitar a perda de controlo provocada pela fadiga. Recomendamos que descanse entre 10 a 20 minutos após cada hora de trabalho.
- Não permita que a ferramenta de corte toque no solo durante o funcionamento. Caso contrário, a ferramenta de corte pode bater num objeto e pode resultar em ferimentos pessoais.
- Mantenha a lâmina metálica paralela com o solo durante o funcionamento.

Ferramentas de corte

- Utilize uma ferramenta de corte aplicável para a tarefa em mãos.
As cabeças de corte em nylon (cabeças de roçadeira) são adequadas para cortar relva.
As lâminas metálicas são adequadas para cortar ervas daninhas, erva alta, arbustos, ramagens, vegetação rasteira, matagal e outros do género.
Nunca utilize outras lâminas, incluindo correias metálicas articuladas multi-peças e lâminas para malho. Caso contrário, podem resultar ferimentos graves.
- Quando utilizar lâminas metálicas, evite o “Recuo” e prepare-se sempre para um recuo accidental. Ver a secção “Recuo”.

Recuo (impulso da lâmina)

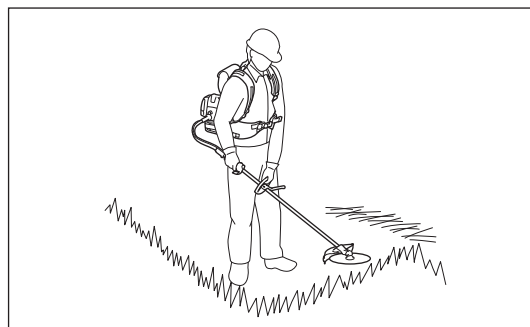
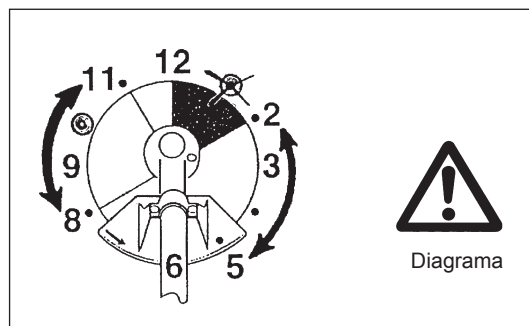
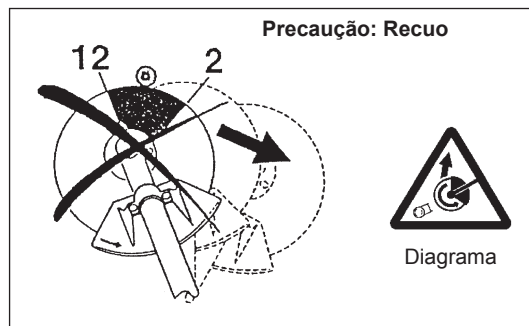
- O recuo (impulso da lâmina) é uma reação súbita a uma lâmina metálica presa. Assim que ocorrer, o equipamento é projetado para o lado ou na direção do operador com grande força e pode causar ferimentos graves.
- Os recuos ocorrem particularmente ao aplicar a secção da lâmina entre as 12 e as 2 horas para sólidos, arbustos e árvores com um diâmetro de 3 cm ou mais.
- Para evitar recuos:
 - Aplique a secção entre as 8 e as 11 horas;
 - Nunca aplique a secção entre as 12 e as 2 horas;
 - Nunca aplique a secção entre as 11 e as 12 horas e entre as 2 e as 5 horas, a menos que o operador tenha uma boa formação e seja experiente e o faça por sua própria conta e risco;
 - Nunca utilize lâminas metálicas perto de sólidos, como cercas, paredes, troncos de árvores e pedras;
 - Nunca utilize lâminas metálicas na vertical, para operações como aparar sebes.

Vibração

- As pessoas que sofrem de má circulação e que estão expostas a vibração excessiva podem sofrer lesões nos vasos sanguíneos ou no sistema nervoso central. As vibrações podem causar os seguintes sintomas nos dedos, mãos ou pulsos: “Adormecimento” (falta de sensação), formigueiro, dor, sensação de picadas, alteração da cor da pele ou da própria pele. Se ocorrer algum destes sintomas, consulte um médico!
- Para reduzir o risco de “doença de Raynaud”, mantenha as mãos quentes durante o funcionamento e segure bem o equipamento e os acessórios.

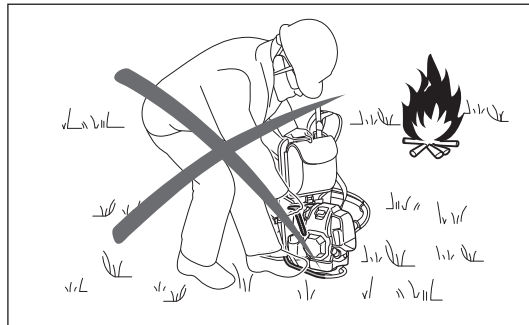
Instruções de manutenção

- O equipamento deve receber assistência técnica no nosso centro de assistência autorizado, utilizando sempre e apenas peças de substituição genuínas. A reparação ou manutenção incorretas podem encurtar a vida útil do equipamento e aumentar o risco de acidentes.
- O estado da roçadeira, em particular da ferramenta de corte dos dispositivos de proteção, e também do arnês, tem de ser verificado antes de iniciar o trabalho. Deve também prestar especial atenção às lâminas metálicas, que devem estar devidamente afiadas.
- Desligue o motor e remova o conector da vela de ignição ao substituir ou afiar as ferramentas de corte, e também ao limpar a roçadeira ou ferramenta de corte.



Nunca alise ou solde ferramentas de corte danificadas.

- Tenha cuidado com o ambiente. Evite utilizar desnecessariamente o acelerador para reduzir as emissões de poluição e ruído. Afine corretamente o carburador.
- Limpe o equipamento em intervalos regulares e certifique-se de que todos os parafusos estão bem apertados.
- Nunca efectue manutenção ou guarde o equipamento perto de chamas.
- Guarde sempre o equipamento em salas fechadas e com um depósito de combustível esvaziado.
- Ao limpar, efectuar a manutenção e armazenar o equipamento, instale sempre a tampa na lâmina metálica.



Observe as instruções de prevenção de acidentes relevantes emitidas pelas associações comerciais relevantes e companhias de seguros. Não efectue quaisquer modificações no equipamento, pois isto estará a comprometer a sua segurança.

O desempenho do trabalho de manutenção ou reparação pelo utilizador é limitado às atividades descritas no manual de instruções. O resto do trabalho deverá ser efectuado por um Agente de Serviço Autorizado. Utilize apenas partes sobresselentes e acessórios genuínos comercializados e fornecidos pela DOLMAR.

Utilizar acessórios e ferramentas não aprovados provocará um risco maior de acidentes.

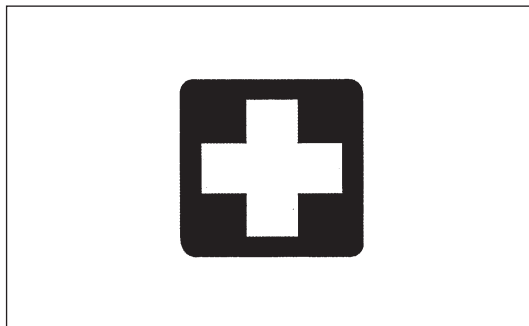
A DOLMAR não aceitará qualquer responsabilização por acidentes ou danos provocados pela utilização de ferramentas de corte não aprovadas e dispositivos de fixação de ferramentas de corte ou acessórios.

Primeiros-socorros

Em caso de acidente, certifique-se de que tem disponível uma caixa de primeiros socorros nas proximidades das operações de corte. Substitua imediatamente qualquer item retirado da caixa de primeiros socorros.

Ao pedir ajuda, forneça a seguinte informação:

- Local do acidente
- O que aconteceu?
- Número de pessoas feridas
- Tipo de ferimentos
- O seu nome



Apenas para países europeus

Declaração de conformidade CE

A Makita declara que a(s) seguinte(s) máquina(s):

Designação da máquina: Roçadeira Costal a Gasolina
Modelo n.º/Tipo: MS-4300.4 R

Está em conformidade com as diretivas europeias seguintes:

2000/14/CE, 2006/42/CE

São fabricadas de acordo com as seguintes normas ou documentos normalizados:

EN ISO 11806-2

O ficheiro técnico de acordo com a 2006/42/CE está disponível em:

Makita, Jan-Baptist Vinkstraat 2, 3070, Bélgica

O procedimento de avaliação da conformidade obrigatório pela Diretiva 2000/14/CE estava em conformidade com o anexo V.

(Com cabeça de corte em nylon)

Nível de potência sonora medido: 110,6 dB

Nível garantido de potência sonora: 111 dB

(Com a lâmina de corte)

Nível de potência sonora medido: 104,1 dB

Nível garantido de potência sonora: 105 dB

1.9.2014



Yasushi Fukaya
Diretor

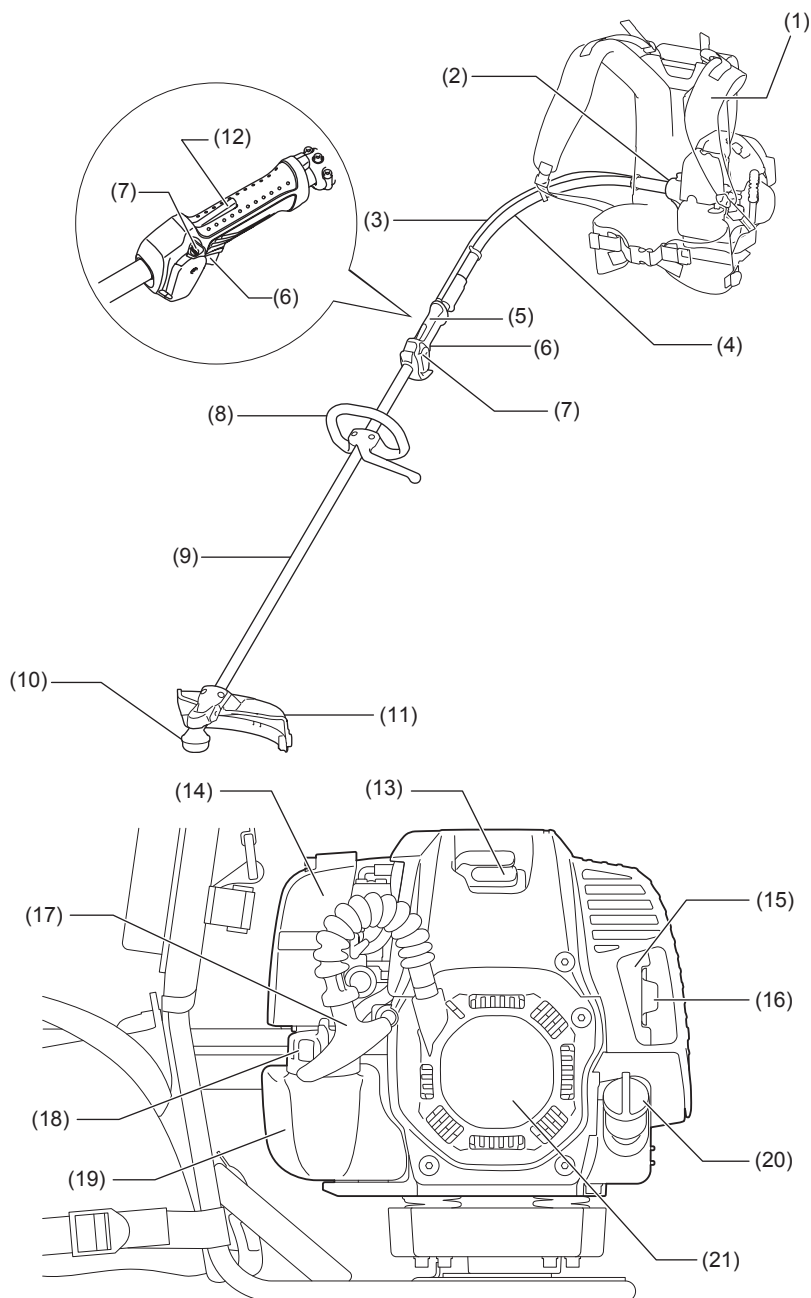
Makita, Jan-Baptist Vinkstraat 2, 3070, Bélgica

DADOS TÉCNICOS

Modelo		MS-4300.4 R			
Tipo de pega		Pega fechada			
Dimensões: comprimento x largura x altura (sem parte do eixo flexível / recto)		mm	358 x 280 x 587		
Massa (sem resguardo de plástico e ferramenta de corte)		kg	12,0		
Volume (depósito de combustível)		L	0,8		
Volume (depósito de óleo)		L	0,1		
Deslocamento do motor		cm ³	43,0		
Desempenho máximo do motor		kW	1,5 a 7.500 mín ⁻¹		
Velocidade do motor a velocidade de rotação máxima recomendada		mín ⁻¹	10.500		
Velocidade de rotação máxima (correspondente)		mín ⁻¹	7.200		
Velocidade em marcha lenta		mín ⁻¹	3.000		
Velocidade da embraiagem		mín ⁻¹	4.000		
Carburador		Tipo diafragma			
Vela de ignição		tipo	NGK CMR6A		
Separação de eléctrodos		mm	0,7 – 0,8		
			LÂMINA DE CORTE	CABEÇA DE CORTE EM NYLON	
Vibração por ISO 22867	Pega (Cabo traseiro)	$a_{hv\ eq}$	m/s ²	2,7	2,4
		Incerteza K	m/s ²	0,8	0,7
	Pega esquerda (Cabo dianteiro)	$a_{hv\ eq}$	m/s ²	3,2	3,4
		Incerteza K	m/s ²	1,7	1,0
Nível de pressão sonora de acordo com ISO 22868		$L_{PA\ eq}$	dB (A)	83,5	92,5
		Incerteza K	dB (A)	1,1	1,7
Média do nível de potência sonora de acordo com ISO 22868		$L_{WA\ eq}$	dB (A)	104,1	110,6
		Incerteza K	dB (A)	1,1	0,7
Combustível		Gasolina			
Óleo do motor		Óleo 10W-30 SAE de classe SF ou superior com classificação API (óleo para automóveis com motor a 4 tempos)			
Ferramentas de corte (diâ. lâmina de corte)		mm	440 (com cabeça de corte em nylon), 255 (com lâmina de 3 dentes), 257 (com lâmina de 3 dentes), 305 (com lâmina de 2 dentes)		
Relação de transmissão		13/19			

- Devido ao nosso programa contínuo de pesquisa e desenvolvimento, estas especificações podem ser alteradas sem aviso prévio.
- As especificações podem diferir de país para país.

DESIGNAÇÃO DE PEÇAS



1. Arnês	2. Embraiagem	3. Cabo de controlo	4. Eixo flexível
5. Pega traseira	6. Alavanca do acelerador	7. Interruptor I-O (ligar/desligar)	8. Pega
9. Eixo reto	10. Caixa de engrenagens	11. Protector (Resguardo da ferramenta de corte)	12. Alavanca de bloqueio
13. Vela de ignição	14. Filtro	15. Silenciador de escape	16. Tubo de escape
17. Manipulo do dispositivo de arranque	18. Tapa do depósito de combustível	19. Depósito de combustível	20. Tampão do óleo
21. Arranque por fio			

MONTAGEM DA PEGA

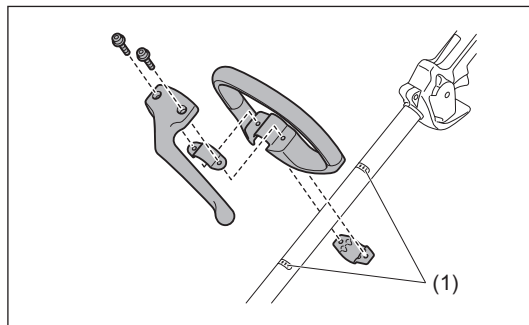
⚠ PRECAUÇÃO:

- Antes de efectuar qualquer trabalho no equipamento, desligue sempre o motor e retire o conector da vela de ignição da vela de ignição.
- Use sempre luvas de protecção!

⚠ PRECAUÇÃO:

- Ligue o motor apenas depois da montagem estar concluída.

- Fixe a pega fechada no eixo com dois parafusos.
- Para manter uma distância adequada entre os punhos, coloque a pega entre as marcas das setas (1) no eixo.



MONTAGEM DO EIXO FLEXÍVEL

Montagem do eixo flexível

1. Retire o parafuso (1) da extremidade do eixo reto (2).
2. Retire a cobertura do eixo flexível.

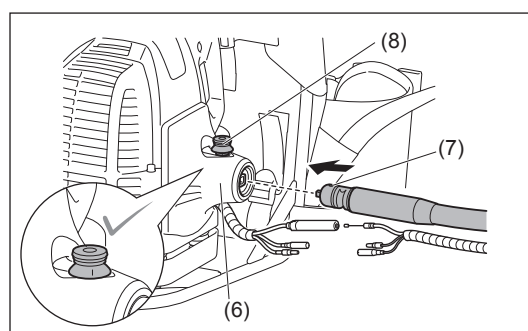
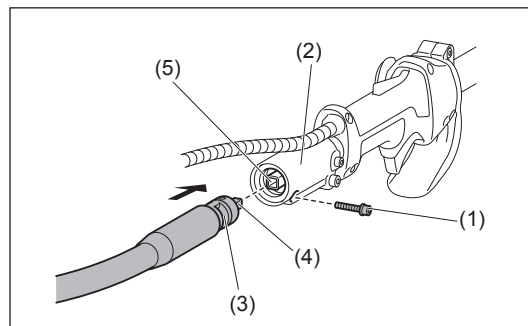
NOTA:

- Não perca a cobertura. Coloque sempre a cobertura quando remover o eixo flexível.
3. Rode o eixo flexível de modo a que a parte dentada (3) do eixo flexível fique virada para baixo.
 4. Alinhe o eixo interno quadrado (4) com o orifício da junta (5). Insira a extremidade do eixo flexível dentro do suporte do tubo e empurre até ao fim.
 5. Aperte-os com o parafuso (1).

OBSERVAÇÃO:

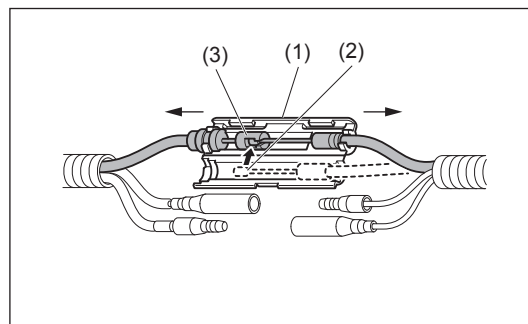
- Se sentir dificuldade para inserir o eixo flexível alinhe novamente o eixo interno quadrado (4).
 - Não puxe o eixo interior mais de 35 mm.
6. Alinhe o orifício (7) na outra extremidade do eixo flexível com o manípulo (8) da caixa da embraiagem (6) e insira o eixo flexível dentro da caixa da embraiagem.
 7. Certifique-se de que ouve um estalido proveniente do manípulo e que este encaixa dentro do orifício do eixo flexível.

Para remover o eixo flexível da caixa da embraiagem, puxe o manípulo para cima e retire-o.



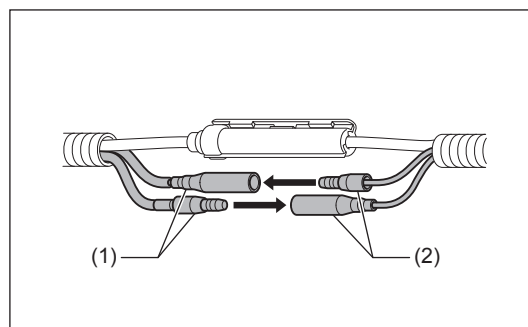
Ligação do cabo de comando

1. Encaixe a extremidade do cabo de comando da alavanca de comando (2) sobre a extremidade do cabo de comando do motor (3).
2. Coloque o cabo de comando da alavanca de comando no conector (1). Em seguida, feche o conector.
3. Certifique-se de que a borboleta no carburador move-se simultaneamente quando se puxa a alavanca do acelerador.



Ligação da unidade de condução

Ligue as unidades de condução do motor (1) com as unidades de condução da alavanca de comando (2) uma vez que cada um dos terminais macho e fêmea se ligam.

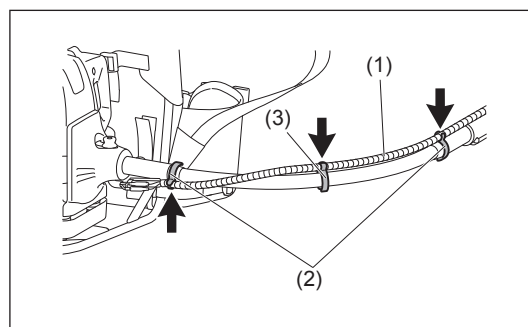


Fixação do cabo de comando

Fixe o cabo de comando (1) ao eixo flexível utilizando duas braçadeiras (2) e uma outra braçadeira (3) como ilustrado.

⚠ PRECAUÇÃO:

- Certifique-se de que o cabo de comando está fixo adequadamente ao eixo flexível. Um cabo solto pode ficar preso nos ramos, etc., e resultar em ferimentos pessoais.
- Não enrole o cabo de comando em volta do eixo flexível. Caso contrário, o acelerador pode não funcionar corretamente.



MONTAGEM DO PROTECTOR

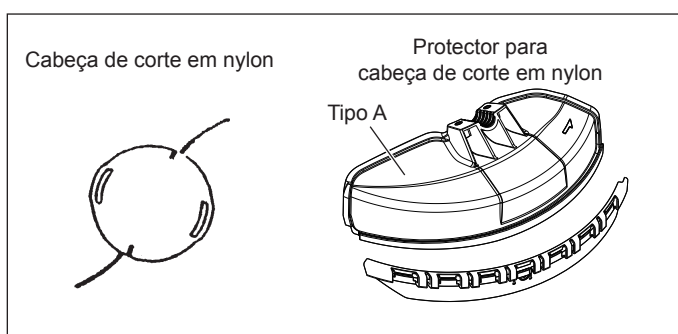
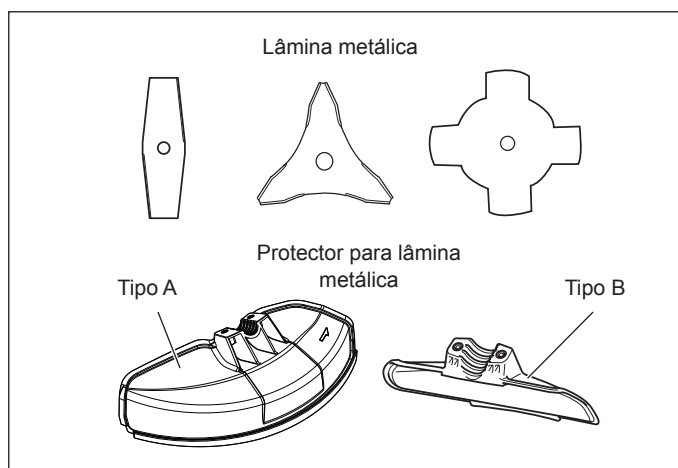
Para obedecer às provisões de segurança aplicáveis, apenas devem ser utilizadas as combinações de ferramenta/protector indicadas na tabela.

⚠ PRECAUÇÃO:

- Deve instalar sempre o protetor adequado para sua própria segurança e para obedecer aos regulamentos de prevenção de acidentes.
- É proibida a utilização do equipamento sem o resguardo colocado.
- Não aplique outra combinação ao utilizar a lâmina de serra.

NOTA:

- A combinação padrão da ferramenta de corte varia consoante o país.



Para lâminas metálicas

⚠ PRECAUÇÃO:

- Certifique-se de que os parafusos de aperto do protetor estão apertados uniformemente de modo a que a folga entre a braçadeira e o protetor seja inalterável. Caso contrário, o protetor pode, por vezes, não funcionar como especificado.

(Para protectores do Tipo A)

Fixe o protetor (3) à braçadeira (2) com dois parafusos M6x30 (1).

(Para protectores do Tipo B)

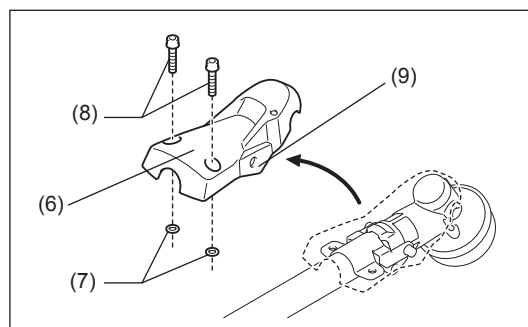
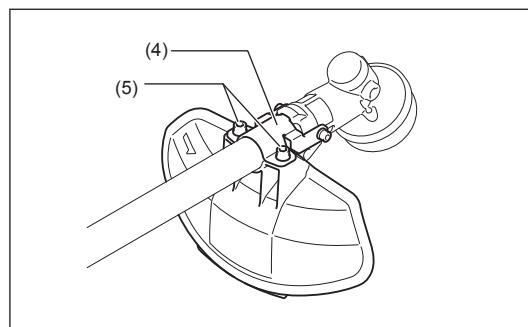
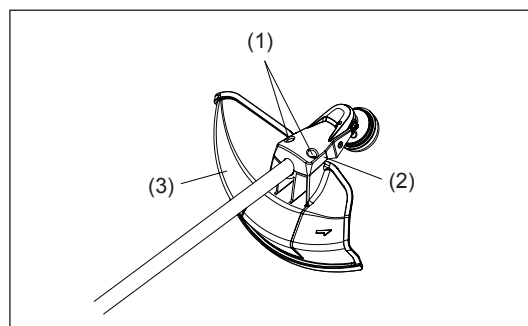
Fixe o protetor à braçadeira (4) com dois parafusos M6x18 (5).

Se a tampa do protetor (6) estiver instalada no eixo, retire-a primeiro da seguinte forma.

1. Retire as anilhas (7), os parafusos M6x30 (8) da tampa do protetor.
2. Retire a tampa do protetor a expandindo ligeiramente a aba (9).

NOTA:

- Se mudar o protetor de Tipo B para Tipo A, instale a tampa do protetor, os parafusos M6x30 e as anilhas sobre o eixo antes de instalar o protetor.

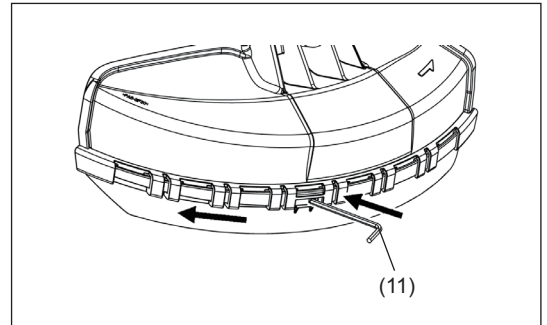
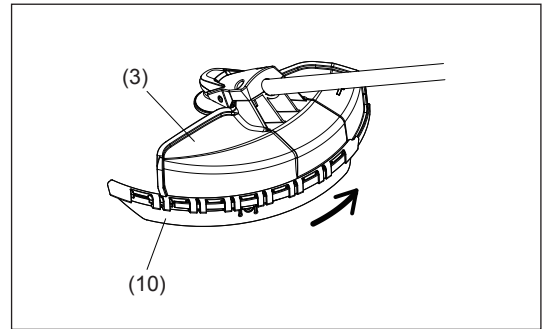


Para cabeça de corte em nylon

- Certifique-se de que monta o protetor da cabeça de corte em nylon (10) sobre o protetor da lâmina metálica do tipo A (3) montado com o protetor da cabeça de corte em nylon.
- Monte o protetor da cabeça de corte em nylon (10) deslizando-o para a posição, a partir da parte lateral do protetor da lâmina metálica (3).
- Retire a fita colada na roçadeira, que corta o fio de nylon, no protetor da roçadeira em nylon (10).

⚠ PRECAUÇÃO:

- Certifique-se de que empurra o protetor da cabeça de corte em nylon (10) até estar completamente inserido.
Tenha cuidado para não se ferir na roçadeira para cortar o fio de nylon.
- Para retirar o protetor da cabeça de corte em nylon (10), aplique uma chave sextavada (11) no entalhe no protetor da lâmina metálica (3), pressione-a e, ao mesmo tempo, deslize o protetor da cabeça de corte em nylon (10).



MONTAGEM DA LÂMINA METÁLICA OU DA CABEÇA DE CORTE EM NYLON

Certifique-se de que utiliza sempre lâminas metálicas ou cabeça de corte em nylon DOLMAR.

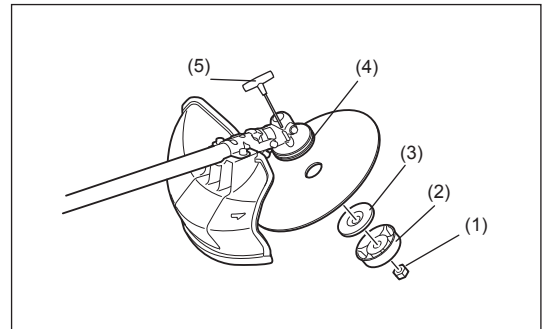
- A lâmina metálica deve ser bem polida, livre de fendas ou quebras. Se a lâmina metálica for de encontro a uma pedra durante a operação, pare o motor e verifique a lâmina imediatamente.
- Deve polir ou substituir a lâmina metálica a cada três horas de funcionamento.
- Se a cabeça de corte em nylon for de encontro a uma pedra durante o funcionamento, pare o motor e verifique a cabeça de corte em nylon imediatamente.

⚠ PRECAUÇÃO:

- Deve instalar sempre o protetor adequado para sua própria segurança e para obedecer aos regulamentos de prevenção de acidentes. É proibida a utilização do equipamento sem o resguardo colocado. O diâmetro externo da lâmina de corte tem de ser de 300 mm ou menos. Nunca utilize lâminas com um diâmetro externo superior a 300 mm. As lâminas da roçadeira com um diâmetro externo superior a 305 mm só podem ser usadas para as roçadeiras com dentes de 2 lâminas.

Vire o eixo reto ao contrário e pode substituir a lâmina metálica ou cabeça de corte em nylon facilmente.

- Insira a chave sextavada (5) no orifício na caixa de engrenagens e rode a anilha recetora (4) até que esteja apertada com a chave sextavada.
- Desaperte a porca (1) (fio esquerdo) com a chave de encaixe e remova a porca (1), protecção (2) e a anilha do grampo (3).



Montagem da lâmina metálica com a chave sextavada ainda fixada

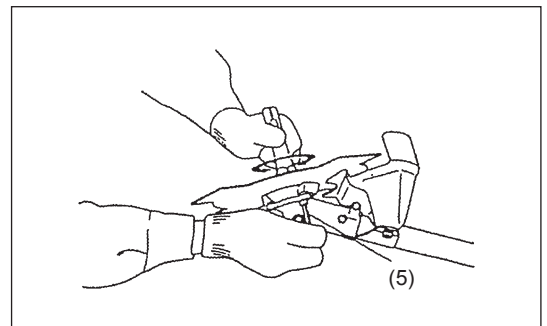
- Monte a lâmina metálica no eixo para que o guia da anilha recetora (4) encaixe no orifício do mandril na lâmina metálica. Instale a anilha do grampo (3), a protecção (2) e fixe a lâmina metálica com a porca (1).
[Binário de aperto: 20 – 30 N•m]

NOTA:

- Use sempre luvas quando manusear a lâmina metálica.

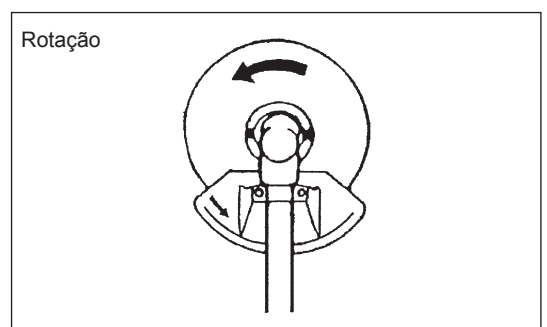
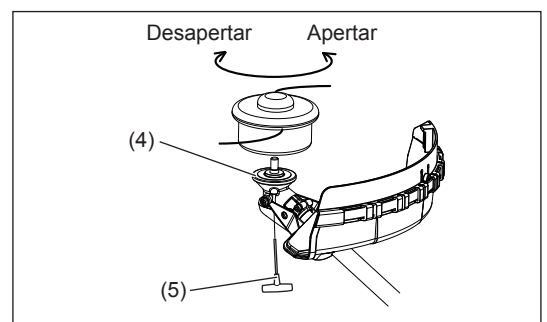
NOTA:

- A porca de aperto da lâmina metálica (com anilha de pressão) é uma peça que se desgasta. Se aparecer algum desgaste ou deformação na anilha de pressão, substitua a porca.



Montagem da cabeça de corte em nylon

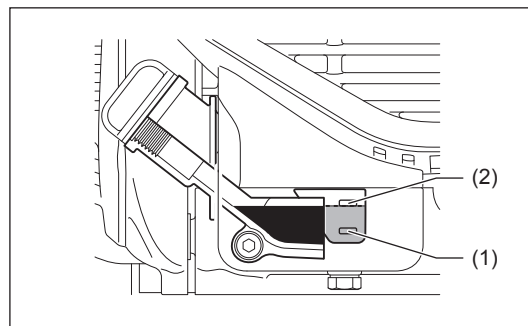
- A anilha do grampo (3), a protecção (2) e a porca (1) não são necessárias para montar a cabeça de corte em nylon. A cabeça de corte em nylon deverá estar no topo da anilha recetora (4).
- Insira a chave sextavada (5) no orifício na caixa de engrenagens e rode a anilha recetora (4) até que esteja apertada com a chave sextavada.
- De seguida, aperte a cabeça de corte em nylon no veio rodando no sentido contrário aos ponteiros do relógio.
- Retire a chave sextavada.



ANTES DE INICIAR O FUNCIONAMENTO

Inspeção e reabastecimento de óleo do motor

- Execute o procedimento seguinte, com o motor arrefecido.
- Certifique-se de que o motor se encontra numa superfície plana e verifique se o nível de óleo está entre o limite inferior (1) e superior (2) do indicador de óleo.
- Se o nível de óleo estiver abaixo do limite inferior, retire o tampão de óleo e acrescente óleo.
- A área em redor das marcas externas é transparente, por isso, a quantidade de óleo no interior pode ser verificada sem ter de retirar o tampão de óleo. No entanto, se o tubo de óleo ficar extremamente sujo, pode perder a visibilidade e terá de verificar novamente o nível de óleo na secção escalonada no interior do tubo de óleo.
- Pode ser necessário reabastecer óleo aproximadamente a cada 10 horas de funcionamento (a cada 10 reabastecimentos).
Se o óleo mudar de cor ou se se misturar com sujidade, substitua por um óleo novo. (Para o intervalo e método de substituição, consulte a página 191.)



Óleo recomendado: Óleo 10W-30 SAE de classificação API, Classe SF ou superior (motor a 4 tempos para automóvel)

Volume de óleo: Aprox. 0,10 L

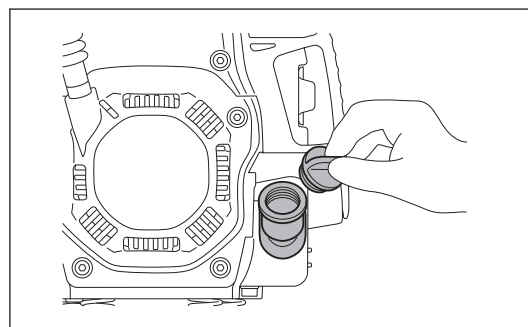
NOTA:

- Se o motor não estiver posicionado conforme ilustrado, numa superfície horizontal, pode ocorrer uma indicação inexata do nível de óleo e o abastecimento será excessivo. Abastecer óleo acima do limite superior pode causar a contaminação do mesmo e/ou fumo branco.

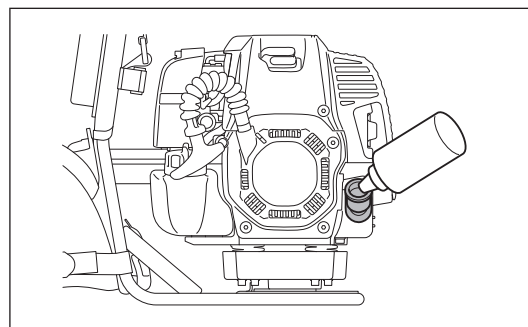
Mudança de óleo: “Tampão de óleo”

- Retire qualquer sujidade perto da entrada de abastecimento do óleo e desencaixe o tampão de óleo.
- Mantenha o tampão do óleo limpa, sem resíduos de areia ou poeira, sempre que a retirar. Caso contrário, as partículas de sujidade podem colar-se à tampa do óleo e entrar no depósito provocando uma circulação irregular do óleo ou desgaste das peças do motor, o que resultará em problemas.

(1) Mantenha o motor nivelado e desencaixe o tampão de óleo.



(2) Abasteça com óleo até à marca do limite superior.
Utilize uma garrafa de óleo quando encher.



(3) Aperte de forma segura a tampa do nível de óleo. Um aperto insuficiente pode causar fugas de óleo.

NOTA:

- Não substitua o óleo com o motor numa posição inclinada.
- Abastecer com óleo enquanto o motor está inclinado resulta no abastecimento excessivo que causa contaminação de óleo e/ou fumo branco.

Após abastecer óleo

- Limpe imediatamente com um pano todo o óleo derramado.

REABASTECIMENTO**Lidar com o combustível**

É necessário muito cuidado ao lidar com o combustível. O combustível pode conter substâncias semelhantes a solventes. O abastecimento tem de ser executado numa sala bem ventilada ou no exterior. Não inale vapores do combustível e evite qualquer contacto de combustível ou óleo com a sua pele. O contacto prolongado da sua pele com o combustível fará com que a sua pele fique extremamente seca, o que pode resultar em doenças de pele ou alergia. Se entrar combustível nos seus olhos, lave-os imediatamente com água limpa. Se os seus olhos ainda estiverem irritados, consulte imediatamente um médico.

Período de abastecimento de combustível

O combustível deve ser utilizado num período de 4 semanas, mesmo se for mantido num recipiente especial num local bem ventilado e à sombra. Caso contrário, o combustível pode deteriorar-se num dia.

ARMAZENAMENTO DA MÁQUINA E DEPÓSITO DE ABASTECIMENTO

- Mantenha a máquina e o depósito num local fresco sem luz solar directa.
- Nunca mantenha o combustível num carro.

Combustível

O motor é um motor a 4 tempos. Utilize gasolina para automóveis sem chumbo com 87 ou mais octanas ((R+M)/2). Não pode conter mais de 10% de álcool (E-10).

Observações sobre o combustível

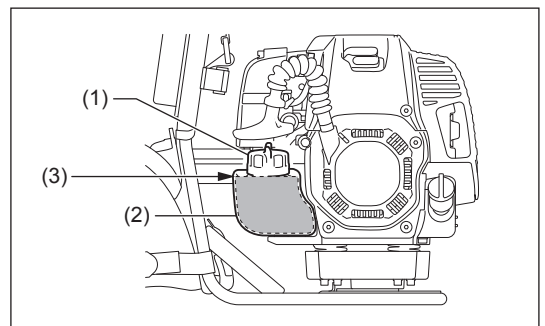
- Nunca utilize uma mistura de gasolina que contenha óleo de motor. Caso contrário, causa uma acumulação excessiva de carbono ou problemas mecânicos.
- A utilização de óleo deteriorado provocará irregularidades no arranque.

Reabastecimento**⚠ AVISO:**

- **Desligue o motor antes do reabastecimento, mantenha-se longe das chamas abertas e não fume.**
- Solte um pouco a tampa do depósito (1) para libertar a pressão do depósito.
- Retire a tampa do depósito e reabasteça. NÃO encher com combustível acima do limite superior (3).
- Limpe rigorosamente a área exterior da tampa do depósito para evitar que entre sujidade no depósito de combustível.
- Depois de reabastecer, aperte a tampa do depósito de forma segura.

NOTA:

- Se a tampa do depósito tiver falhas ou danos, substitua-a.
- A tampa do depósito desgasta-se com o tempo. Substitua de dois em dois ou de três em três anos.
- NÃO coloque combustível no orifício de enchimento de óleo.



MANUSEAMENTO CORRECTO DA MÁQUINA

⚠ AVISO:

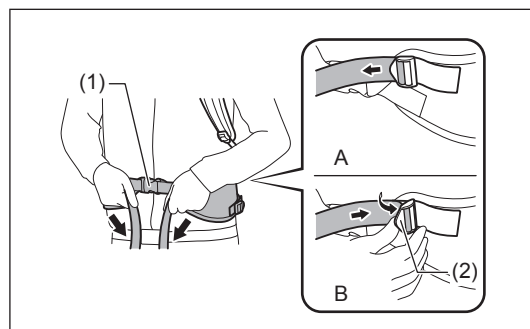
- Se não conseguir manter o controlo total do equipamento, poderá sofrer ferimentos corporais graves ou MORRER.

Ligação do arnês

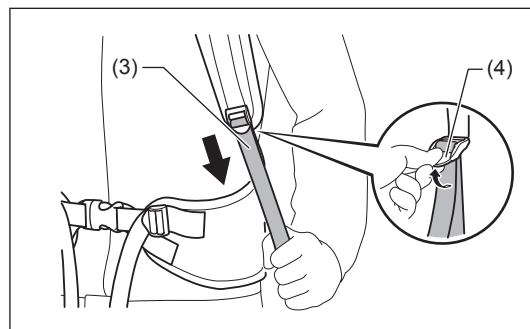
Ajuste o arnês para utilizar o motor nos ombros confortavelmente durante a operação.



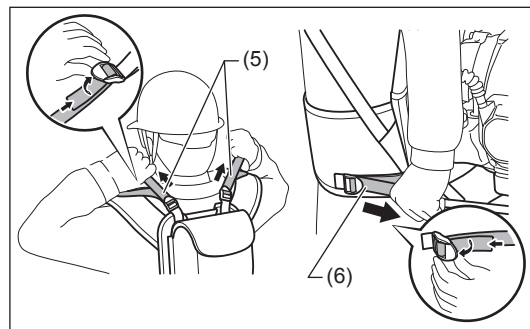
1. Coloque o arnês as costas e feche a fivela (1).
Para apertar a faixa de cintura, puxe a extremidade da faixa (A).
Para a soltar, puxe a extremidade do fixador (2) (B).



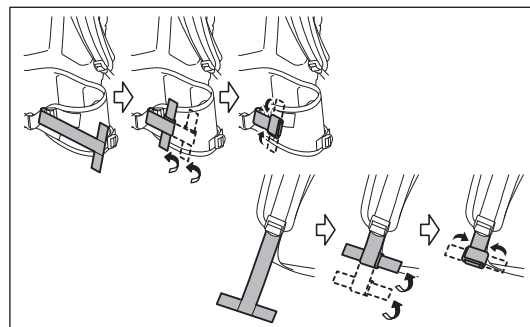
2. Ajuste a faixa para o ombro (3) a um comprimento confortável para trabalhar.
Para apertar a faixa, puxe a extremidade da faixa.
Para a soltar, puxe a extremidade do fixador (4).



3. Ajuste a faixa estabilizadora para o ombro e anca (5, 6). Para apertar a faixa, puxe a extremidade da faixa. Para a soltar, puxe a extremidade do fixador.

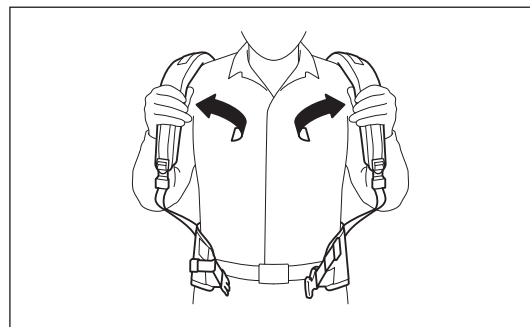
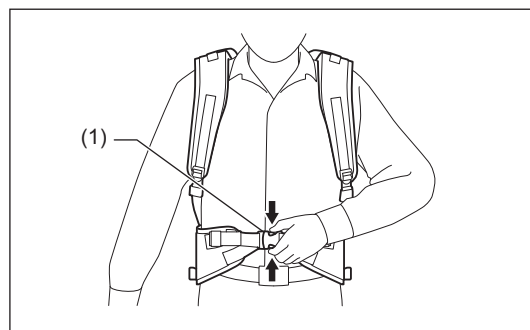


4. Rode as faixas redundantes e aperte-as com o fixador da argola e gancho.



Libertar a máquina

- Para libertar a máquina, aperte as partes laterais da fivela (1) e retire o arnês. Certifique-se de que mantém o controlo da máquina nesta altura. Não permita que a máquina seja desviada em direção a si ou a alguém próximo de si.



COMO ARRANCAR E PARAR O MOTOR

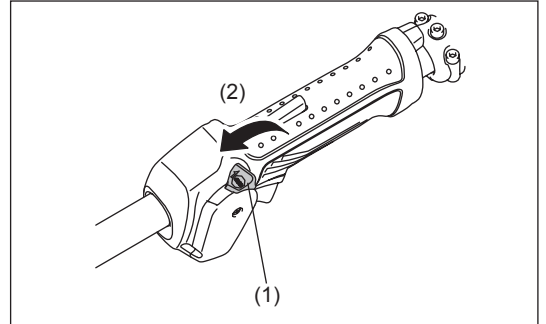
Leia os regulamentos sobre prevenção de acidentes aplicáveis!

INÍCIO

Afasto-se um mínimo 3 m do local de abastecimento. Coloque a unidade no chão, tendo cuidado para que a ferramenta de corte não entre em contacto com o chão ou quaisquer outros objetos.

A: Arranque a frio

- 1) Monte esta máquina num espaço plano.
- 2) Coloque o interruptor I-O (1) em FUNCIONAMENTO (2).



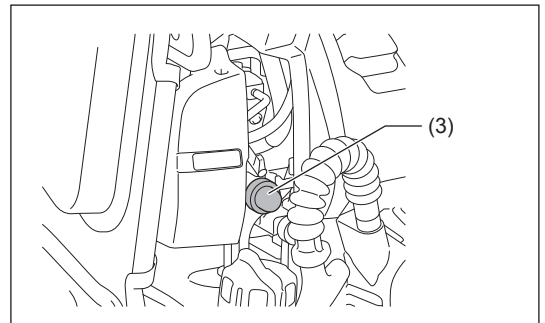
- 3) Alavanca do afogador
Feche a alavanca do afogador.

Abertura do afogador:

- Fecho completo com tempo frio ou quando o motor está frio.
- Abertura completa ou até meio se o motor estiver ligeiramente quente, como quando voltar a ligar o motor imediatamente após desligar durante o aquecimento.



- 4) Bomba de descarga
Continue a empurrar a bomba de descarga (3) até o combustível entrar dentro da bomba. (Em geral, 7 a 10 vezes.)
Se a bomba de descarga for empurrada em demasia, um excesso de gasolina regressa ao depósito de combustível.



5) Arranque por fio

Assuma sempre uma posição em pé estável e firme.

Segure a unidade com a mão esquerda e empurre-a para baixo com firmeza.

⚠ PRECAUÇÃO:

- Não se coloque sobre o cabo do acelerador. O fio interno pode ser puxado e a ferramenta de corte pode começar a rodar acidentalmente. Não abra o acelerador.

Puxe o manípulo de arranque suavemente até sentir uma certa resistência. De seguida, alivie o manípulo de arranque e puxe com força.

Nunca puxe a extensão total da corda. Assim que o manípulo de arranque for puxado, nunca solte a mão imediatamente. Segure o manípulo de arranque até este voltar ao ponto de origem.

6) Alavanca do afogador

Assim que o motor arrançar, coloque a alavanca do afogador na posição ABRIR.

- Abra a alavanca do afogador progressivamente enquanto verifica o funcionamento do motor. Certifique-se de que abre a alavanca do afogador ao máximo no final.
- Em tempo frio ou quando o motor está arrefecido, nunca abra a alavanca do afogador repentinamente. Caso contrário, o motor pode parar.

7) Operação de aquecimento

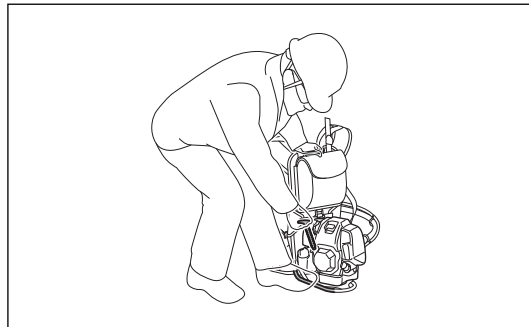
Continue a operação de aquecimento durante 2 a 3 minutos.

OBSERVAÇÃO:

- **Não puxe desnecessariamente a alavanca do acelerador quando o motor não está em funcionamento.** Pode causar fugas de combustível a partir do filtro de ar. Se isso acontecer, limpe o combustível derramado. Além disso, abra a tampa do filtro de ar e limpe o elemento e a placa do filtro de ar.

NOTA:

- Não puxe desnecessariamente a alavanca do acelerador quando o motor não está em funcionamento. Pode causar a entrada excessiva de combustível no motor e resultar em dificuldades no arranque do motor.
- Em caso de entrada excessiva de combustível, remova a vela de ignição e puxe a pega de arranque lentamente para remover o combustível em excesso. Também deverá limpar a secção dos elétrodos da vela de ignição.
- Se o motor arrançar e parar ou parar logo após o arranque, coloque a alavanca do afogador na posição ABRIR e puxe novamente o manípulo de arranque algumas vezes para ligar o motor.
- Se a alavanca do afogador permanecer na posição FECHAR e se simplesmente puxar várias vezes o manípulo do dispositivo de arranque, será aspirado demasiado combustível e o motor terá dificuldades ao ligar.
- Não coloque o motor em altas rotações durante o aquecimento.



B: Arranque a quente

1) Mantenha a alavanca do afogador completamente aberta.

2) Empurre a bomba de descarga repetidamente.

3) Mantenha a alavanca do acelerador na posição de ralenti.

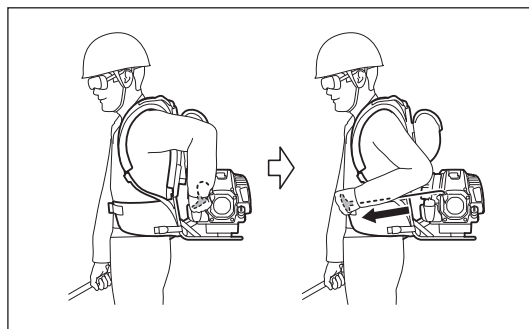
4) Puxe o manípulo de arranque com força.

Pode ainda voltar a pôr o motor a funcionar enquanto transporta a ferramenta às costas.

⚠ PRECAUÇÃO:

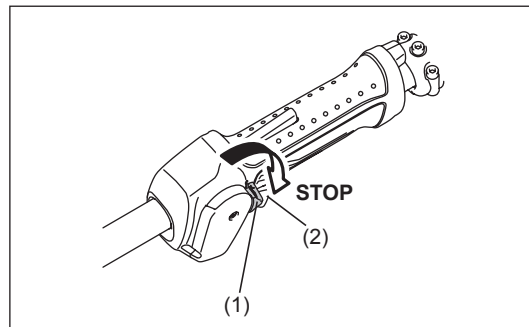
- Certifique-se de que a ferramenta de corte não está a tocar em nada durante o arranque.
- Não puxe a alavanca do acelerador durante o arranque. Caso contrário, a ferramenta de corte começa a rodar.

Mantenha a pega segura com a mão direita e puxe o manípulo de arranque com força.



PARAR

- 1) Solte totalmente a alavanca do acelerador (2) e quando as rpm do motor tiverem baixado, regule o interruptor I-O (1) para STOP e o motor irá parar.
- 2) A ferramenta de corte continua a rodar um pouco após desligar o motor. Aguarde até parar por completo.

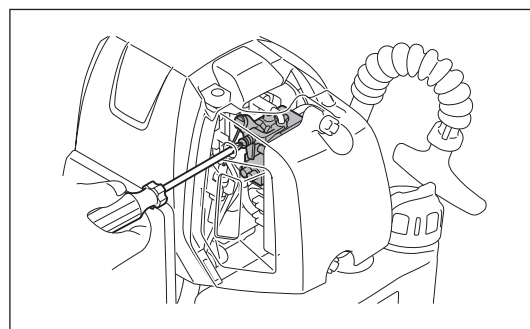


REGULAÇÃO DA VELOCIDADE DE RALENTI

Quando é necessário regular o ralenti, efectue através do parafuso de regulação do carburador.

VERIFICAÇÃO DO RALENTI

- Regule o ralenti para 3.000 mín⁻¹.
Se for necessário alterar o ralenti, utilize uma chave de fendas phillips no parafuso ilustrado à direita.
- Para aumentar a velocidade de ralenti, rode o parafuso de regulação no sentido dos ponteiros do relógio.
Para reduzir o ralenti, rode o parafuso de regulação no sentido contrário aos ponteiros do relógio.
- O carburador está ajustado de fábrica. No entanto, após várias utilizações, a velocidade de ralenti tem de ser reajustada.



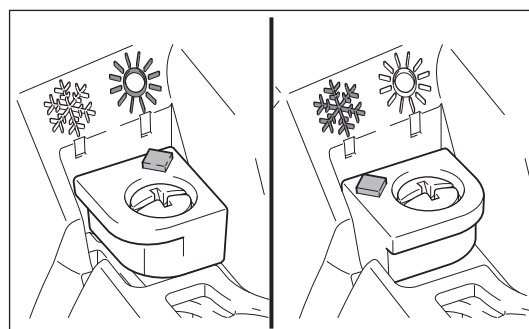
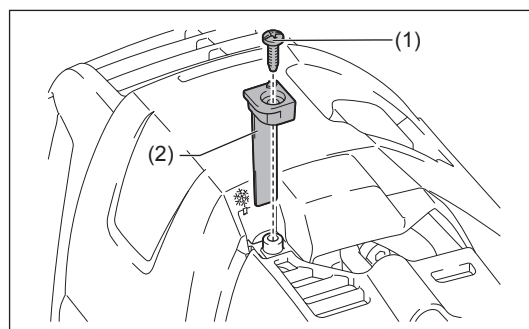
PREVENÇÃO CONTRA A FORMAÇÃO DE GELO NO CARBURADOR

⚠ PRECAUÇÃO:

- Quando a temperatura ambiente é superior a 10°C, coloque sempre a alavanca na posição normal (marca do sol). Caso contrário, o motor pode ficar danificado por sobreaquecimento.

Quando a temperatura ambiente é baixa e a humidade é alta, o vapor de água pode congelar dentro do carburador e o motor começa a trabalhar irregularmente (congelamento do carburador). Se necessário, altere a regulação do obturador da seguinte forma.

1. Retire o parafuso (1).
2. Altere o sentido do obturador (2) da seguinte forma:
 - A temperatura ambiente é superior a 10°C: Coloque o obturador na posição normal (marca de sol).
 - A temperatura ambiente é igual ou inferior a 10°C: Coloque o obturador na posição anti-formação de gelo (marca de neve).
3. Aperte o parafuso.



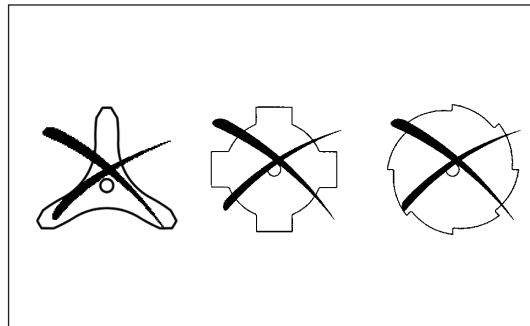
VOLTAR A AFIAR A FERRAMENTA DE CORTE

⚠ PRECAUÇÃO:

- As ferramentas de corte mostradas na imagem não devem ser afiadas. Voltar a afiar manualmente resultará em desequilíbrios da ferramenta de corte causando vibrações e danos no equipamento.

NOTA:

- Para aumentar a vida útil da lâmina de corte, pode ser virada uma vez, até ambas as extremidades de corte ficarem gastas.



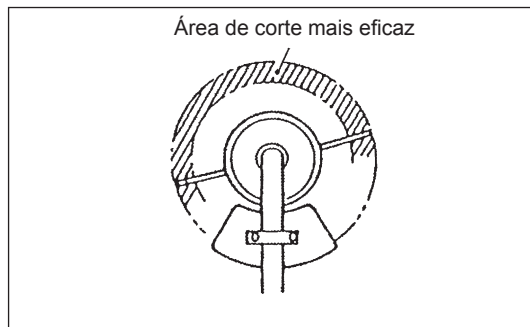
CABEÇA DE CORTE EM NYLON

A cabeça de corte em nylon é uma cabeça dupla de roçadeira com mecanismo de ressalto e fornecimento.

A cabeça de corte em nylon alimenta o fio de nylon depois de tocar com a cabeça da roçadeira no solo.

Funcionamento

- Aumente a velocidade da cabeça de corte em nylon para aproximadamente 6.000 min⁻¹.
Toque ligeiramente com a cabeça de corte em nylon no solo.
- A área de corte mais eficiente é mostrada pela área sombreada.
- Se o fio de nylon não fornecer, rebobine/substitua o fio de nylon seguindo os procedimentos descritos em "Substituir o fio de nylon".

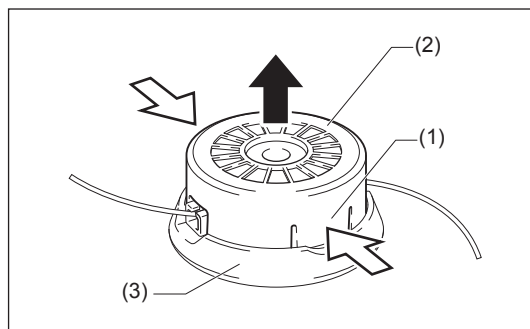


Substituir o fio de nylon (RESSALTO E FORNECIMENTO)

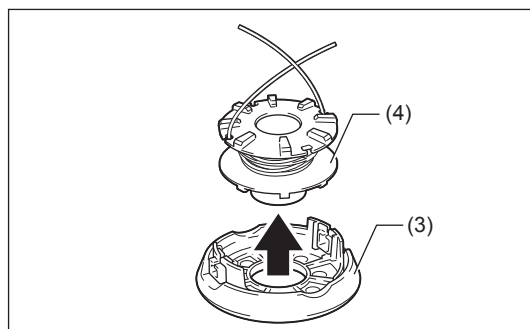
⚠ AVISO:

- Certifique-se de que a tampa da cabeça de corte em nylon está fixa à armação adequadamente, como descrito abaixo. A má fixação da tampa pode fazer com que a cabeça de corte em nylon seja projetada resultando em ferimentos pessoais graves.

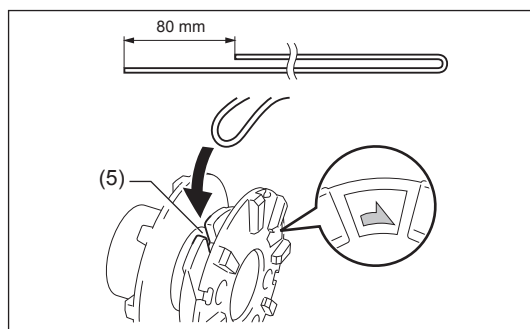
1. Prima os trincos (1) na armação (2) para dentro e levante para cima para retirar a tampa (3).



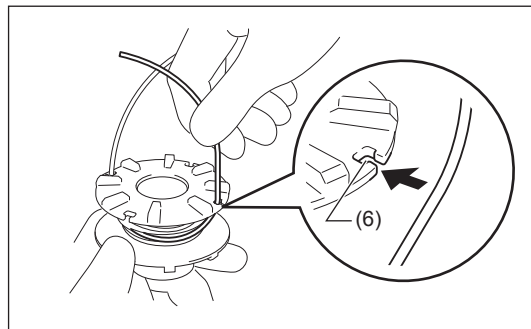
2. Solte o fio de nylon do olhal. E retire a bobina (4) da tampa. Elimine qualquer fio de nylon restante.



3. Engate o meio do novo fio de nylon no entalhe (5) situado no centro da bobina entre os 2 canais. Um dos lado do fio deve ser cerca de 80 mm mais longo do que o outro lado. Enrole ambas as extremidades firmemente em volta da bobina na direção da seta marcada na bobina.

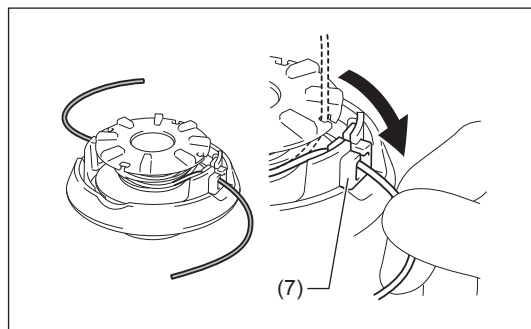


4. Enrole todo o fio exceto cerca de 100 mm, deixando as pontas temporariamente presas através dos entalhes (6).

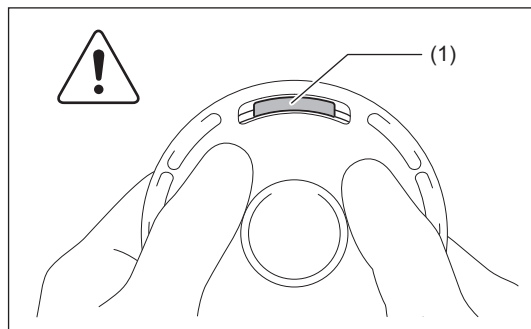
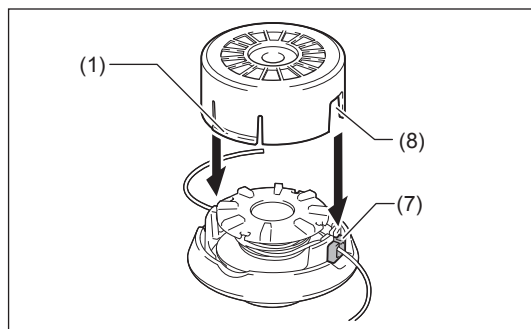


5. Monte a bobina na tampa no ponto em que os entalhes com o fio se encontrem com os olhais (7).

Desprenda as extremidades do fio da sua posição temporária e alimente os fios através dos olhais.



6. Alinhe as fendas quadradas (8) na armação com os olhais (7). De seguida, empurre firmemente a armação sobre a tampa para a fixar. Certifique-se de que os trincos (1) estão totalmente abertos na tampa.



INSTRUÇÕES DE SERVIÇO

⚠ PRECAUÇÃO:

- Antes de efetuar qualquer trabalho no equipamento, desligue sempre o motor e retire a tampa da vela de ignição (ver “verificar a vela de ignição”).
Use sempre luvas de protecção!

Para garantir um longo tempo de funcionamento e para evitar quaisquer danos no equipamento, as seguintes operações de serviço devem ser executadas em intervalos regulares.

Inspeção e manutenção diárias

- Antes do funcionamento, verifique se existem parafusos soltos ou peças em falta na máquina. Preste especial atenção ao aperto da lâmina metálica ou da cabeça de corte em nylon.
- Antes do funcionamento, verifique sempre a passagem de ar de refrigeração e as alhetas do cilindro por obstruções.
Limpe-as se necessário.
- Efectue o seguinte trabalho diariamente após a utilização:
 - Limpe o equipamento externamente e inspeccione por danos.
 - Limpe o filtro de ar. Ao trabalhar em condições de muito pó, limpe o filtro várias vezes por dia.
 - Verifique se a lâmina ou a cabeça de corte em nylon estão danificadas e certifique-se de que estão devidamente montadas.
 - Verifique se existe diferença suficiente entre as velocidades de marcha lenta e de embraiagem para se certificar de que a ferramenta de corte está num ponto de imobilização enquanto o motor está em marcha lenta (se necessário, reduza a velocidade de marcha lenta).
Se em condições de marcha lenta a ferramenta ainda continuar a funcionar, consulte o Agente de Serviço Autorizado mais próximo.
- Verifique o funcionamento do interruptor I-O, a alavanca de bloqueio e a alavanca de aceleração.

SUBSTITUIÇÃO DO ÓLEO DO MOTOR

Um óleo do motor deteriorado diminuirá a vida do motor. Certifique-se de que verifica regularmente o óleo e o nível.



AVISO: O motor e o óleo do motor ainda estão quentes após desligar o motor. Permita tempo suficiente para o motor e o óleo do motor arrefecerem. Caso contrário, pode resultar em queimaduras.

NOTA:

- Se o óleo estiver acima do limite, pode estar contaminado ou pode incendiar-se com fumo branco. Após desligar o motor, permita tempo suficiente para o óleo do motor regressar ao depósito de óleo, para garantir uma leitura exacta do nível de óleo.

Intervalo de substituição: Após 20 horas de funcionamento, seguido de 50 horas de funcionamento.

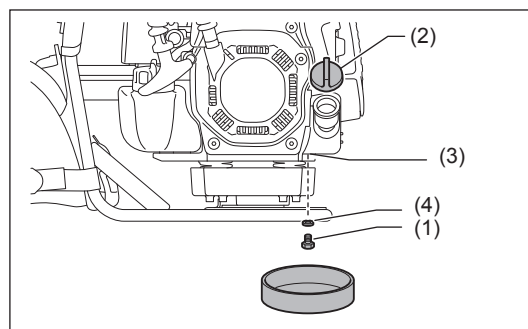
Óleo recomendado: Óleo 10W-30 SAE de classificação API, Classe SF ou superior (motor a 4 tempos para automóvel)

Aquando da substituição, execute o procedimento seguinte.

- 1) Certifique-se de que a tampa do depósito de combustível está bem apertada.
- 2) Coloque um recipiente grande por baixo do orifício de purga.
- 3) Remova o parafuso de drenagem (1) e retire a tampa do óleo (2) para drenar o óleo a partir do respetivo orifício (3).
Neste momento, certifique-se de que não perde a junta do parafuso de drenagem (4) ou que nenhum dos componentes removidos fica sujo.
- 4) Quando todo o óleo tiver sido drenado, instale a junta e o parafuso de drenagem e aperte bem o parafuso de drenagem, de forma a que não fique solto nem cause fugas.

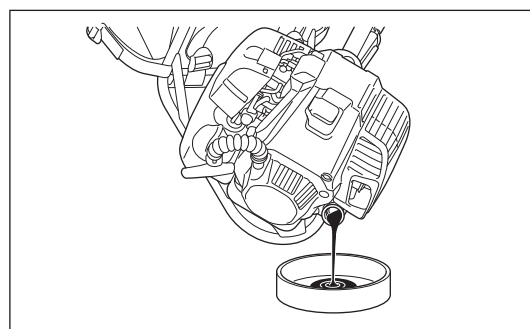
[Binário de aperto: 5 N•m]

* Utilize um pano para limpar qualquer óleo agarrado ao parafuso e ao equipamento.



Método de purga alternativo

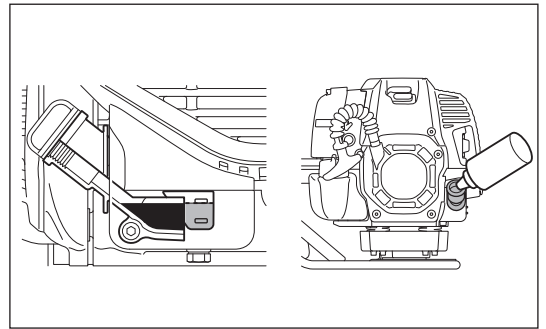
Retire o tampão de óleo, incline o equipamento na direcção do orifício de enchimento de óleo e purgue o óleo.
Recolha o óleo num recipiente.



- 5) Defina o nível do motor e abasteça gradualmente até à marca do limite superior com óleo novo.
- 6) Depois de encher, aperte a tampa do óleo, de forma a que não se solte e provoque fugas.
Se a tampa do óleo não estiver bem fixa, pode ter uma fuga.

PONTOS SOBRE O ÓLEO

- Nunca elimine o óleo de motor usado junto com o lixo doméstico, não o elimine no chão (terra) nem numa entrada de esgoto. A eliminação do óleo está regulada por lei. Aquando da eliminação, siga sempre as respectivas leis e regulações. Para outros pontos que não tenha conhecimento, contacte um Agente de Assistência Técnica autorizado.
- O óleo deteriora-se mesmo quando não é utilizado. Execute a inspeção e a substituição a intervalos regulares (substitua por óleo novo a cada 6 meses).



LIMPEZA DO FILTRO DE AR



AVISO: Desligue o motor, mantenha-se longe das chamas abertas e não fume.

Intervalo de limpeza e inspeção: Diariamente (a cada 10 horas de funcionamento)

- Rode a alavanca do afogador para o lado totalmente fechado e mantenha o carburador longe de qualquer pó ou sujidade.

Remover a tampa do filtro de ar

- Solte os dois parafusos de fixação (1).
- Puxe e retire a tampa do filtro de ar (2).

Elemento de limpeza

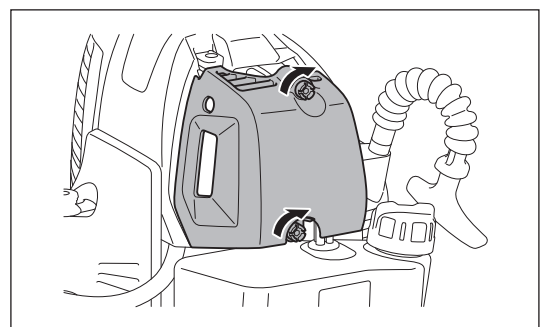
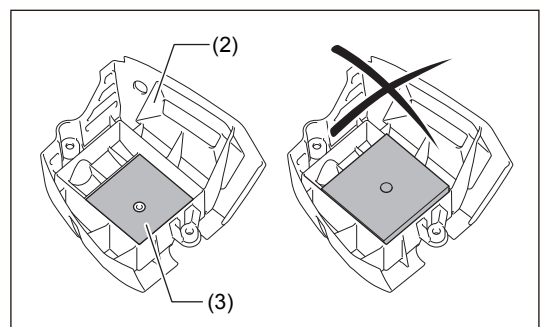
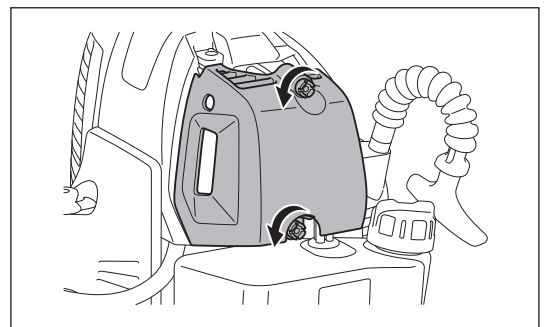
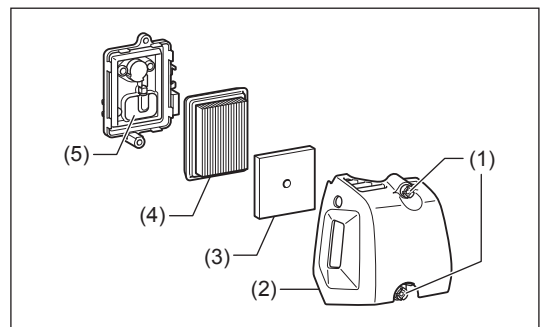
- Remova os elementos (3, 4) e sacuda-os para remover a sujidade.
- Em caso de forte contaminação:
 - 1) Retire o elemento (esponja) (3), coloque-o dentro de água morna ou em água com detergente neutro solúvel em água e seque-o por completo. Não o esprema nem o esfregue ao lavar.
 - 2) Limpe o elemento (papel) (4) sacudindo-o suavemente. Se puder utilizar uma pistola de ar, ventile o ar comprimido para o interior do elemento (papel). Não lave o elemento (papel).
- Antes de encaixar o elemento (esponja), certifique-se de que o seque por completo. Uma secagem incompleta do elemento (esponja) pode provocar um arranque difícil.
- Limpe o óleo residual em torno da tampa do filtro e a placa separadora (5) com um pano de desperdícios.

Fixar a tampa do filtro de ar

- Coloque o elemento (esponja) e o elemento (papel). Introduza o elemento (esponja) até ao fim na tampa do filtro de ar.
- Aperte a tampa do filtro de ar com dois parafusos de fixação.

OBSERVAÇÃO:

- Limpe os elementos várias vezes por dia caso apresentem muito pó. Os elementos sujos reduzem a potência do motor e tornam difícil o arranque do motor.
- Remova o óleo dos elementos. Se o funcionamento continuar com os elementos ainda com óleo, o óleo no filtro de ar pode transbordar resultando na contaminação do ambiente.
- Não coloque os elementos no solo ou num local sujo. Caso contrário, recolhem sujidade e resíduos e isso pode danificar o motor.
- Nunca utilize combustível para limpar os elementos. O combustível pode danificá-los.



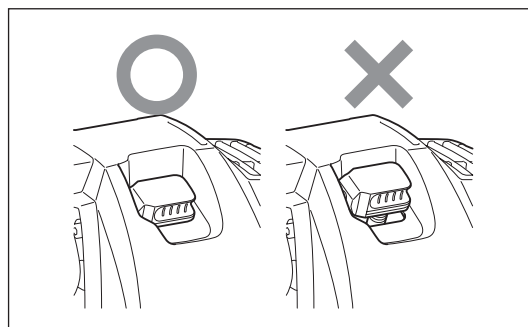
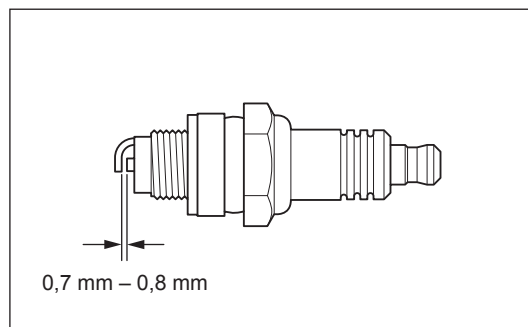
VERIFICAR A VELA DE IGNIÇÃO

- Utilize apenas a chave universal fornecida para remover ou instalar a vela de ignição.
- O espaço entre os dois elétrodos da vela de ignição deverá ser de 0,7 a 0,8 mm. Se o espaço for demasiado largo ou estreito, regule-o. Se a vela de ignição estiver entupida ou contaminada, limpe-a bem ou substitua-a.

Após verificar, coloque o tampão conforme ilustrado.

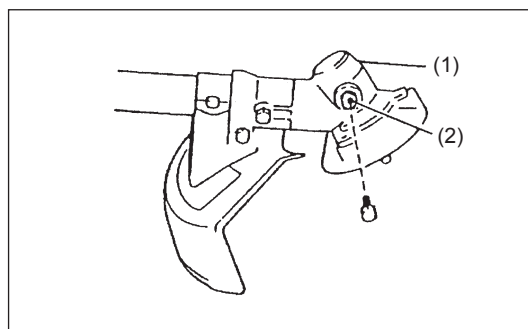
⚠ PRECAUÇÃO:

- Nunca toque no conector da vela de ignição enquanto o motor estiver a trabalhar (perigo de choque eléctrico de alta tensão).



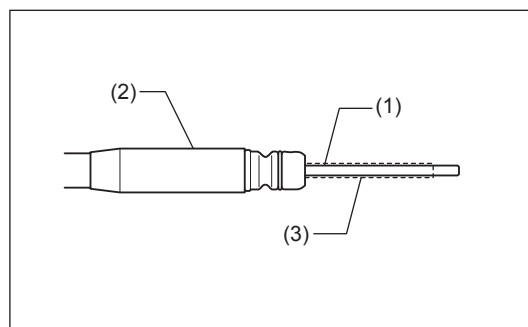
FORNECIMENTO DE LUBRIFICAÇÃO PARA A CAIXA DE ENGENHAGENS

- Forneça lubrificação (Shell Alvania 2 ou equivalente) para a caixa de engrenagens (1) através do orifício de lubrificação (2) a cada 25 horas. (A lubrificação genuína da DOLMAR pode ser adquirida no seu revendedor DOLMAR.)



ALIMENTAÇÃO DE LUBRIFICAÇÃO AO EIXO FLEXÍVEL

1. Remova o eixo flexível da caixa de engrenagens e do eixo reto. Para remover o eixo flexível da caixa da embraiagem, puxe o manípulo para cima e retire-o. Para remover o eixo flexível do eixo reto, retire o parafuso e retire o eixo.
2. Puxe o eixo interno para fora (1) da camisa flexível (2) e aplique lubrificação (Shell Alvania 2 ou equivalente) (3) no eixo interior a cada 25 horas. (A lubrificação genuína da DOLMAR pode ser adquirida no seu revendedor DOLMAR).



OBSERVAÇÃO:

- O eixo flexível pode partir-se se não for aplicada lubrificação.
- Para aumentar a vida útil das pelotas, reinstale cada extremidade do eixo flexível sobre o lado oposto, ou seja, o lado anterior do motor sobre o lado da alavanca de comando.

LIMPEZA DO FILTRO DE COMBUSTÍVEL

AVISO: AGENTES INFLAMÁVEIS ESTRITAMENTE PROIBÍDOS

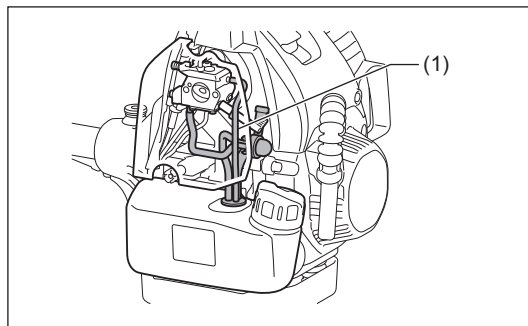
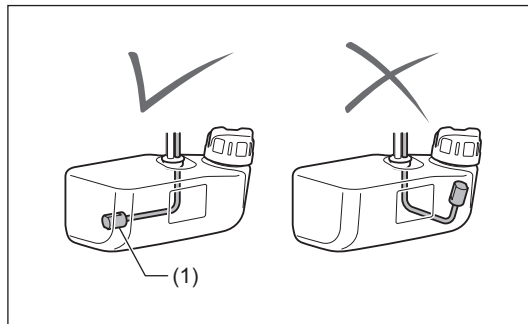
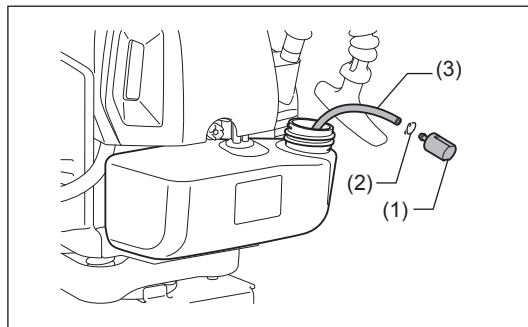
Intervalo de limpeza e inspeção: Mensalmente (a cada 50 horas de funcionamento)

Cabeça de sucção no depósito de combustível

Verifique o filtro de combustível (1) periodicamente. Para verificar o filtro de combustível, siga os passos indicados em baixo:

1. Retire a tampa do depósito de combustível, drene o combustível para esvaziar o depósito. Verifique o interior do depósito para ver se existem matérias estranhas. Se existirem, retire-as.
2. Puxe a cabeça de sucção para fora utilizando um gancho metálico através da abertura do depósito.
3. Se o filtro de combustível estiver ligeiramente entupido, limpe-o. Para o limpar, agite-o suavemente em combustível. Para evitar danos, não o aperte nem esfregue. O combustível utilizado para a limpeza tem de ser eliminado de acordo com o método especificado nos regulamentos do seu país. Se o filtro de combustível estiver enrijecido ou muito entupido, substitua-o.
4. Depois de verificar, limpar ou substituir, insira o filtro de combustível dentro do tubo de combustível (3) e fixe-o com a braçadeira da mangueira (2). Empurre o filtro de combustível até ao fim em direção ao fundo do depósito de combustível.

Um filtro de combustível entupido ou danificado pode provocar uma alimentação de combustível insuficiente e reduzir a potência do motor. Substitua o filtro de combustível no mínimo a cada três meses para garantir um fornecimento de combustível satisfatório para o carburador.



SUBSTITUIÇÃO DO TUBO DE COMBUSTÍVEL

PRECAUÇÃO: AGENTES INFLAMÁVEIS ESTRITAMENTE PROIBÍDOS

Intervalo de limpeza e inspeção: Diariamente (de 10 em 10 horas de funcionamento)

Substituição: Anualmente (a cada 200 horas de funcionamento)

Substitua o tubo de combustível (1) todos os anos, independentemente da frequência de funcionamento. As fugas de combustível podem provocar um incêndio.

Se detectar alguma fuga durante a inspeção, substitua o tubo de combustível imediatamente.

INSPECÇÃO DE PARAFUSOS E PORCAS

- Reaperte parafusos e porcas desapertados, etc.
- Verifique se as tampas do combustível e do óleo estão bem apertadas. Verifique se há fugas de combustível ou óleo.
- Substitua as peças danificadas por peças novas para um funcionamento seguro.

LIMPEZA DAS PEÇAS

- Mantenha sempre o motor limpo ao limpar com um pano.
- Mantenha as pás do cilindro sem poeiras ou sujidade. O pó ou sujidade que adira às alhetas irá causar falha do êmbolo.

SUBSTITUIÇÃO DAS JUNTAS E EMPANQUES

Substitua as juntas e os empanques se o motor estiver desmontado.

Qualquer manutenção ou ajuste que não esteja incluído e descrito neste manual deve ser efectuado apenas pelos Agentes de Serviço Autorizados.

ARMAZENAMENTO



AVISO:

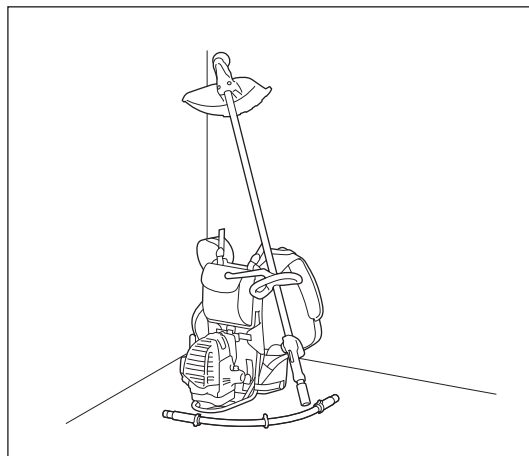
O motor ainda está quente após desligar o motor. Ao purgar o combustível, permita tempo suficiente para o motor arrefecer após desligá-lo. Caso contrário, pode resultar em queimaduras e/ou incêndios.



PERIGO:

Quando a máquina não é utilizada durante um longo período, purgue todo o combustível do depósito de combustível e carburador e guarde-a num local seco e limpo.

- Purgue o combustível do depósito de combustível e carburador de acordo com o procedimento seguinte:
 - 1) Retire a tampa do depósito de combustível e drene completamente o combustível.
Se restar algumas substâncias estranhas no depósito de combustível, retire-as por completo.
 - 2) Retire o filtro do combustível puxando-o a partir da porta de reabastecimento utilizando um fio.
 - 3) Empurre a bomba de escorva até o combustível da bomba ser drenado e drene o combustível que entra no depósito de combustível.
 - 4) Coloque o filtro no depósito de combustível e aperte bem a tampa do depósito.
 - 5) Depois, ligue o motor e deixe-o a trabalhar até parar completamente.
- Retire a vela de ignição e goteje várias gotas de óleo do motor pelo orifício da vela de ignição.
- Puxe suavemente a pega de arranque para que o óleo do motor se espalhe pelo motor e encaixe a vela de ignição.
- Encaixe a tampa na lâmina metálica.
- Em geral, guarde a máquina como ilustrado. Preste atenção à forma como armazena a máquina para evitar que o eixo reto caia. Caso contrário, pode resultar em ferimentos pessoais.
- Guarde o combustível purgado num recipiente especial num local bem ventilado.



Atenção após armazenamento de longa duração

- Antes do arranque após paragem de longa duração, certifique-se de que substituiu o óleo (consulte a página 191). O óleo irá deteriorar enquanto a máquina não é utilizada.

Item	Tempo de funcionamento								P correspondente
		Antes do funcionamento	Após reabastecer	Diária (10h)	25h	50h	200h	Antes de armazenar	
Óleo do motor	Inspeccione	○							182
	Substitua					○*1			191
Peças de aperto (parafuso, porca)	Inspeccione	○							194
Depósito de combustível	Limpe/inspeccione	○							—
	Drenar o combustível							○*3	195
Alavanca do acelerador	Verifique função		○						—
Botão STOP	Verifique função		○						191
Ferramenta de corte	Inspeccione	○		○					181
Ralenti	Inspeccione/ajuste			○					188
Filtro	Limpe			○					192
Vela de ignição	Inspeccione			○					193
Passagem de ar de refrigeração e alhetas do cilindro	Limpe/inspeccione			○					194
Tubo de combustível	Inspeccione			○					194
	Substitua							◎*2	194
Lubrificação caixa de engrenagens	Abastecimento				○				193
Eixo flexível	Lubrificação superior/mudança da direção de instalação				○				193
Filtro de combustível	Limpe/substitua					○			194
Folga das válvulas (válvula de admissão e válvula de escape)	Inspeccione/ajuste							◎*2	—
Carburador	Drenar o combustível							○*3	195

*1 Execute a substituição inicial após 20 horas de funcionamento.

*2 Para a inspeção de 200 horas de funcionamento, contacte o Agente de Serviço Autorizado ou uma loja de máquinas.

*3 Depois de esvaziar o depósito de combustível, deixe o motor a trabalhar e drene o combustível do carburador.

RESOLUÇÃO DE PROBLEMAS

Antes de efetuar um pedido para reparações, verifique você mesmo o problema. Se encontrar uma anomalia, controle a máquina de acordo com a descrição neste manual. Nunca altere nem desmonte qualquer peça contrária à descrição. Para as reparações, contacte o Agente de Assistência Técnica autorizado ou o seu concessionário local.

Estado de anomalia	Causa provável (avaria)	Solução
O motor não arranca.	O interruptor I-O está colocado em STOP.	Regule o interruptor I-O para FUNCIONAMENTO.
	Falha no funcionamento da bomba de escorva.	Empurrar 7 a 10 vezes.
	Velocidade de tração baixa da corda de arranque.	Puxar com força.
	Falta de combustível.	Colocar combustível.
	Filtro de combustível entupido.	Limpe.
	Tubo de combustível dobrado.	Endireite o tubo de combustível.
	Combustível deteriorado.	O combustível deteriorado torna o arranque mais difícil. Substitua por combustível novo. (Substituição recomendada: 1 mês)
	Aspiração excessiva de combustível.	Mudar a alavanca do acelerador da posição de velocidade média para alta velocidade, e puxar o punho do motor de arranque até o motor começar a funcionar. Assim que o motor arranca, a ferramenta de corte começa a rodar. Preste muita atenção à ferramenta de corte. Se mesmo assim o motor não pegar, retire a vela de ignição, seque o elétrodo e monte-os da forma original. Depois, arranque o motor como especificado.
	Tampa da vela desencaixada.	Encaixe bem.
	Vela de ignição contaminada.	Limpe.
	Folga anómala da vela de ignição.	Ajuste a folga.
	Outra anomalia da vela de ignição.	Substitua.
	Carburador anómalo.	Peça uma inspeção e manutenção.
	A corda de arranque não pode ser puxada.	Peça uma inspeção e manutenção.
Sistema de acionamento anómalo.	Peça uma inspeção e manutenção.	
O motor para rapidamente. A velocidade do motor não aumenta.	Aquecimento insuficiente.	Execute a operação de aquecimento.
	A alavanca do afogador está regulada para "FECHAR" apesar do motor estar quente.	Regule para "ABRIR".
	Filtro de combustível entupido.	Limpe.
	Filtro de ar contaminado ou obstruído.	Limpe.
	Carburador anómalo.	Peça uma inspeção e manutenção.
Sistema de acionamento anómalo.	Peça uma inspeção e manutenção.	
A lâmina metálica não roda. ↓ Pare o motor imediatamente.	Porca de aperto da lâmina metálica desapertada.	Aperte bem.
	Paus apanhados pela lâmina metálica ou tampa de prevenção de dispersão.	Retire as substâncias estranhas.
	Sistema de acionamento anómalo.	Peça uma inspeção e manutenção.
A unidade principal vibra de forma anómala. ↓ Pare o motor imediatamente.	Lâmina metálica quebrada, dobrada ou gasta.	Substitua a lâmina metálica.
	Porca de aperto da lâmina metálica desapertada.	Aperte bem.
	Parte convexada desviada da lâmina metálica e suporte da lâmina metálica.	Encaixe bem.
	Sistema de acionamento anómalo.	Peça uma inspeção e manutenção.
A lâmina metálica não para imediatamente. ↓ Pare o motor imediatamente.	Rotação alta ao ralenti.	Ajuste.
	Fio de acelerador desencaixado.	Encaixe bem.
	Sistema de acionamento anómalo.	Peça uma inspeção e manutenção.
O motor não para. ↓ Pôr o motor a trabalhar ao ralenti e colocar a alavanca do afogador em "FECHAR".	Conector desencaixado.	Encaixe bem.
	Sistema elétrico anómalo.	Peça uma inspeção e manutenção.

















Mange tak fordi du har købt denne DOLMAR udendørsmaskine. Vi er glade for at kunne anbefale dig dette DOLMAR-produkt, som er resultatet af et langt udviklingsprogram og mange års viden og erfaring. Læs venligst dette hæfte, som i detaljer gennemgår de forskellige punkter, som demonstrerer maskinens fremragende ydeevne. Det vil hjælpe dig med at opnå det bedst mulige resultat med dit DOLMAR-produkt.



Indhold	Side
Symboler	198
Sikkerhedsinstruktioner	199
Tekniske data.....	203
Delenes betegnelse.....	204
Montering af håndtag.....	205
Montering af det fleksible skaft.....	206
Montering af beskyttelseskærm.....	207
Montering af metalklinge eller nylontrimmerhoved....	209
Inden anvendelse	210
Korrekt håndtering af maskinen.....	212
Hvordan motoren startes og stoppes	214
Slibning af skæreværktøjet.....	217
Serviceringsinstruktioner	219
Opbevaring	223
Fejlfinding	225

SYMBOLER

Du skal være opmærksom på følgende symboler, når du læser brugsanvisningen.

	Læs brugsanvisningen og overhold advarsels- og sikkerhedsforholdsreglerne!		Hold arbejdsområdet fri for personer og dyr!
	Vær særlig forsigtig og opmærksom!		Bær hjelm, øjen- og høreværn!
	Forbudt!		Maksimal tilladelig hastighed for værktøj
	Hold afstand!		Brændstof (Benzin)
	Risiko for flyvende genstande!		Manuel start af motor
	Tilbageslag!		Nødstop
	Rygning forbudt!		Førstehjælp
	Brug af åben ild forbudt!		TÆNDT/START
	Der skal anvendes beskyttelseshandsker!		SLUKKET/STOP
	Anvend kraftige støvler med skridsikre såler. Sikkerhedssko med stålnease anbefales!		

SIKKERHEDSINSTRUKTIONER

Generelle retningslinjer

- Læs denne brugsanvisning, så du bliver fortrolig med håndteringen af maskinen. Brugere, som ikke kender tilstrækkeligt til anvendelsen, er til fare for dem selv og andre pga. forkert håndtering af maskinen.
- Det anbefales kun at udlåne maskinen til personer, som har erfaring med håndtering af sådanne maskiner. Overdrag altid brugsanvisningen.
- Førstegangsbrugere bør bede forhandleren om grundlæggende instrukser for at få kendskab til håndteringen af en buskrydder.
- Børn og unge under 18 år må ikke anvende denne maskine. Personer over 16 år må gerne anvende maskinen til øvelsesformål, hvis de er under vejledning af en kvalificeret instruktør.
- Anvend maskinen med allerstørste omhu og opmærksomhed.
- Anvend kun maskinen, hvis du er i god, fysisk form. Udfør alt arbejde roligt og forsigtigt. Brugeren har ansvaret for andre.
- Anvend aldrig denne maskine efter indtagelse af alkohol eller medicin, eller hvis du føler dig træt eller dårligt tilpas.
- Nationale bestemmelser kan begrænse brugen af maskinen.

Beregnet brug af maskinen

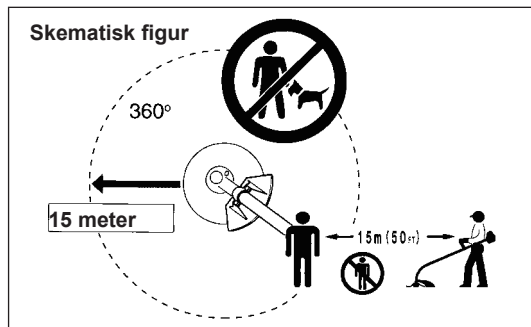
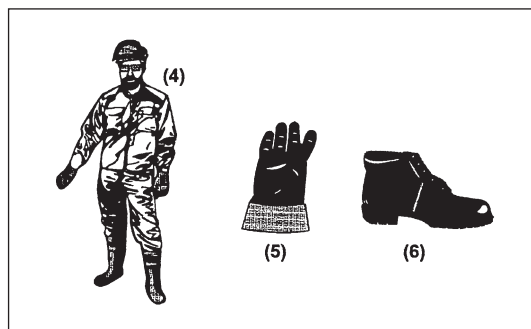
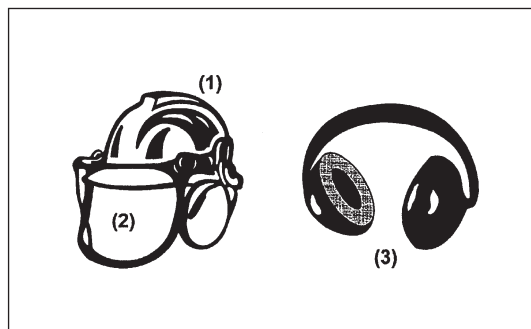
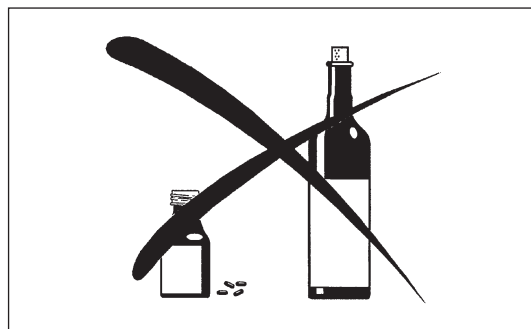
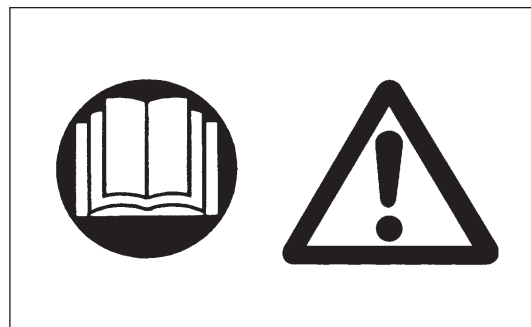
- Denne maskine er kun beregnet til klipning af græs, ukrudt, buske og bundvegetation. Den må ikke bruges til andre formål som f.eks. kantafretning eller hækkeklipping, eftersom dette kan medføre personskaade.

Personligt sikkerhedsudstyr

- Der skal bæres funktionelt og passende tøj, dvs. at det bør sidde tæt, men ikke være til hindring. Bær ikke smykker eller tøj, der kan sætte sig fast i buske eller krat.
- For at undgå skader på hoved, øjne, hænder eller fødder samt for at beskytte din hørelse, skal du altid bære følgende sikkerhedsudstyr og beskyttelsesbeklædning under anvendelsen.
- Bær altid en hjelm på steder, hvor der er risiko for at ting falder ned. Beskyttelseshjelm (1) skal med jævne mellemrum efterses for skader, og skal udskiftes mindst hvert 5 år. Brug kun godkendte beskyttelseshjelme.
- Hjelmens visir (2) (eller alternativt sikkerhedsbriller) beskytter ansigtet mod flyvende afskårne dele og sten. Under arbejdet skal der altid anvendes beskyttelsesbriller eller visir for at forhindre øjenskader.
- Anvend passende midler til beskyttelse mod støj for at undgå hørenedsættelse (hørevern (3) ørepropper m.v.).
- Arbejdsoverall (4) beskytter mod flyvende sten og afskårne stykker. Vi anbefaler på det kraftigste, at brugeren anvender arbejdsoverall.
- Handsker (5) er en del af det foreskrevne udstyr og skal altid bæres under anvendelsen.
- Når du anvender maskinen, skal du altid have solide sko (6) med skridsikre såler på. Dette beskytter mod skader og sikrer et godt fodfæste.

Start af buskrydderen

- Sørg for, at der ikke er nogen børn eller andre personer inden for et arbejdsområde på 15 meter, og vær ligeledes opmærksom på eventuelle dyr i arbejdsområdet.
- Før arbejdet påbegyndes, skal du altid kontrollere, at maskinen er klar til drift: Kontroller sikkerheden af skæreværktøjet, om gashåndtaget glider nemt, samt kontroller at gashåndtagsslåsen virker.
- Skæreværktøjet må ikke rotere i tomgang. Forhør dig hos din forhandler angående justering, hvis du er i tvivl. Sørg for, at håndtagene er rene og tørre og afprøv start/stop-kontaktens funktion.

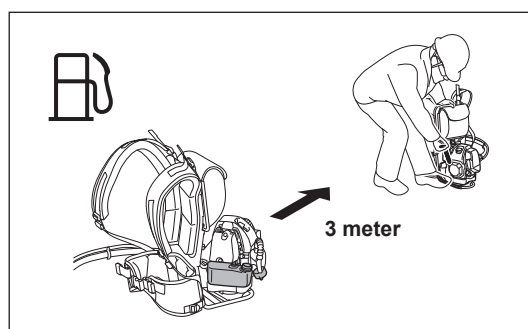
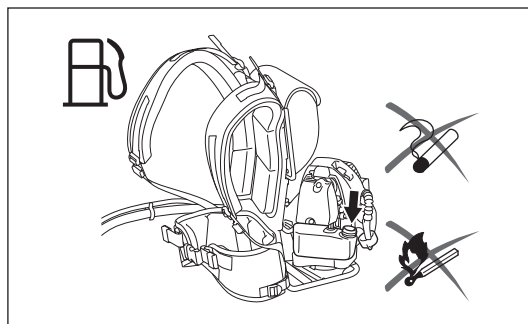
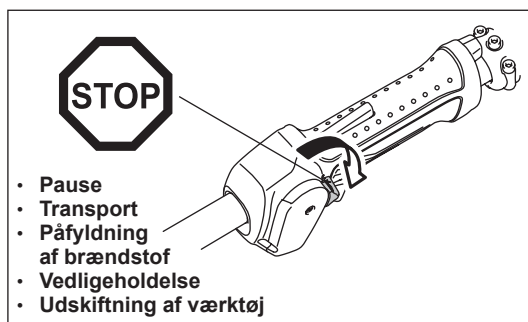
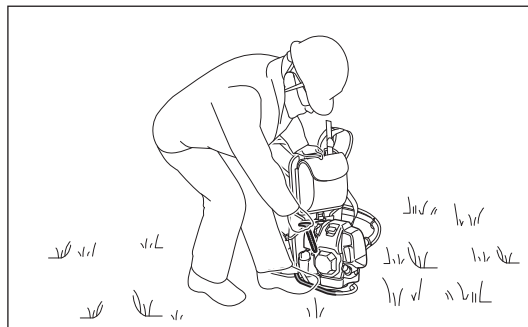


Start kun buskrydderen som beskrevet i brugsanvisningen.

- Benyt ikke andre metoder til at starte motoren med!
- Brug kun buskrydderen og værktøjerne til de specificerede anvendelser.
- Start ikke motoren før hele monteringen er fuldført. Det er kun tilladt at anvende maskinen, efter at alt tilbehøret er monteret.
- Inden du starter, skal du sikre dig, at skæreværktøjet ikke er i kontakt med hårde objekter som f.eks. grene, sten eller lignende, eftersom skæreværktøjet drejer rundt, når du starter.
- Motoren skal øjeblikkeligt slås fra i tilfælde af motorproblemer.
- Skulle skæreværktøjet ramme sten eller andre hårde objekter, skal du straks slukke for motoren og efterse skæreværktøjet.
- Efterse skæreværktøjet for skader med korte jævne mellemrum (efterse for hårridser vha. banke-støj-testen).
- Skulle maskinen blive udsat for at hårdt slag eller falde ned, skal du kontrollere dens tilstand, inden du fortsætter med at bruge den. Kontroller brændstofsyste­met for brændstoftækkage samt betjenings- og sikkerhedsudstyr for funktionsfejl. Hvis der er nogen skader eller tvivlsspørgsmål, skal du bede vores autoriserede servicecenter om at udføre eftersyn og reparation.
- Anvend kun maskinen med påsat bæresele, der desuden skal være ordentligt justeret, inden buskrydderen anvendes. Det er vigtigt at justere bæreselen i henhold til brugerens størrelse for at forhindre træthed under brugen. Hold aldrig buskrydderen med kun en hånd under brugen.
- Buskrydderen skal altid holdes med begge hænder under anvendelsen. Sørg altid for at have et godt fodfæste.
- Anvend maskinen på en sådan måde, at du undgår at indånde udstødningsgasserne. Lad aldrig motoren køre i indelukkede rum (risiko for gasforgiftning). Kulilte er en lugtfri gas.
- Sluk for motoren under pauser og når maskinen efterlades uden opsyn, og placer den på et sikkert sted for at forhindre at den er til fare for andre, eller maskinen beskadiges.
- Læg aldrig den varme buskrydder på tørt græs eller andre letantændelige materialer.
- Monter altid den godkendte afskærmning for skæreværktøj på maskinen, inden du starter motoren.
Ellers kan kontakt med skæreværktøjet medføre alvorlig personskade.
- Alle sikkerhedsinstallationer og skærme, der følger med maskinen, skal anvendes under brugen.
- Anvend aldrig motoren med en defekt lyd­dæmper.
- Sluk for motoren under transport.
- Monter altid afskærmningen på metalklingen, når du transporterer maskinen.
- Sørg for at placere maskinen sikkert under biltransport for at undgå brændstoftækkage.
- Sørg for at brændstoftanken er helt tom under transport.
- Når maskinen tages af vognen, må motoren aldrig tabes på jorden, eftersom dette kan medføre alvorlig beskadigelse af brændstoftanken.
- Undtagen i nødstilfælde må du aldrig tabe eller kaste maskinen ned på jorden, ellers kan dette beskadige maskinen alvorligt.

Påfyldning af brændstof

- Sluk for motoren under påfyldning af brændstof, hold maskinen væk fra åben ild samt undlad at ryge.
- Undgå hudkontakt med mineralske olieprodukter. Indånd ikke brændstofdampe. Bær altid beskyttelseshandsker under påfyldning af brændstof. Skift og rens beskyttelsestøjet med jævne mellemrum.
- Vær påpasselig med hverken at spilde brændstof eller olie for at forhindre forurening af jorden (miljøbeskyttelse). Rengør omgående buskrydderen, hvis du har spildt brændstof.
- Undgå at få brændstof på tøjet. Skift øjeblikkeligt tøj, hvis der er kommet brændstof på det (for at undgå at der går ild i tøjet).
- Efterse brændstofdækslet med jævne mellemrum for at sikre, at det kan lukkes ordentligt, og der ikke lækker brændstof ud.
- Stram omhyggeligt brændstoftankens dæksel. Skift sted inden motoren startes (mindst 3 meter på afstand af stedet for brændstofpåfyldningen).
- Påfyld aldrig brændstof i lukkede rum. Der akkumuleres brændstofdampe ved jordniveau (risiko for eksplosioner).
- Foretag kun transport og opbevaring af brændstof i godkendte beholdere. Sørg for at brændstof opbevares således, at børn ikke har adgang til det.
- Påfyld altid brændstof på en stabil, plan flade, således at du undgår at spilde det.



Betjeningsmetode

- Brug kun maskinen i godt lys og god sigtbarhed. I vintersæsonen skal du være på vagt overfor glatte eller våde områder, is og sne (der er risiko for at falde). Sørg altid for at have et godt fodfæste.
- Skær aldrig over hoftehøjde.
- Stå aldrig på en stige med maskinen.
- Kravl aldrig op i træer for at klippe eller skære.
- Arbejd aldrig på ustabile overflader.
- Fjern sand, sten, søm m.v. som findes inden for arbejdsområdet. Fremmedlegemer kan beskadige skæreværktøjet og forårsage farlige tilbageslag.
- Inden foretagelse af skærearbejde skal skæreværktøjet have nået op på fuld arbejdshastighed.
- Når du anvender metalklinger, skal du svinge maskinen jævnt i en halvcirkel fra højre til venstre som ved brug af en le. Hvis der sætter sig græs eller grene fast mellem skæreværktøjet og afskærmningen, skal du altid standse motoren inden rengøringen. Ellers kan utilsigtet klingerotation forårsage alvorlige personskader.
- Hold pauser for at forhindre tab af kontrol pga. træthed. Vi anbefaler, at du holder en pause på 10 til 20 minutter hver time.
- Lad ikke skæreværktøjet være i kontakt med jorden under arbejdet. Ellers kan skæreværktøjet ramme en genstand med personskade som resultat.
- Hold metalklingen parallelt med jorden under arbejdet.

Skæreværktøjer

- Brug et skæreværktøj der passer til det aktuelle job. Nylontrimmerhoveder (trådtrimmerhoveder) er egnet til trimning af græsplæner. Metalklinger er egnede til at skære ukrudt, højt græs, buske, krat, underskov, buskads og lignende. Brug aldrig andre klinger, herunder pivoterende, flerstykkede metalklinger og tærseklinger. Ellers kan det muligvis medføre alvorlig personskade.
- Når du bruger metalklinger, skal du undgå "Tilbageslag" og altid være forberedt på utilsigtet tilbageslag. Se afsnittet "Tilbageslag".

Tilbageslag (klingestød)

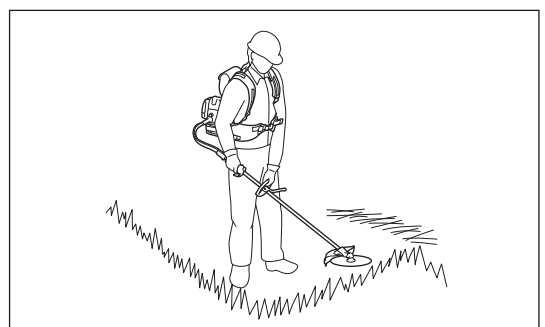
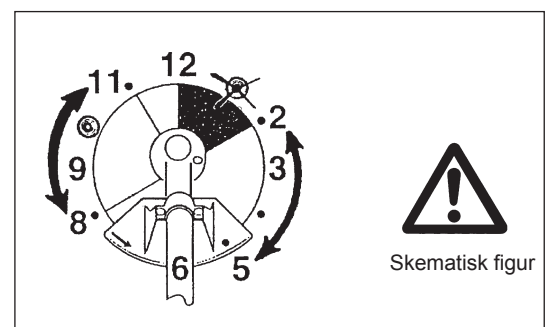
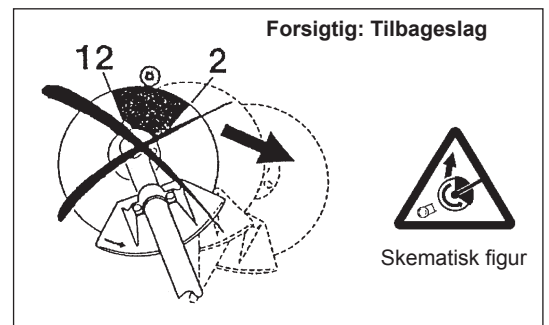
- Tilbageslag (klingestød) er en pludselig reaktion på en metalklinge, som sidder fast eller binder. Når det sker, kastes udstyret ud til siden eller mod operatøren med stor kraft, hvilket kan medføre alvorlig personskade.
- Tilbageslag opstår i særdeleshed ved anvendelse af klingesegmentet mellem klokken 12 og 2 til faste ting, buske og træer med en diameter på 3 cm eller mere.
- Sådan undgås tilbageslag:
 - Anvend segmentet mellem klokken 8 og 11;
 - Anvend aldrig segmentet mellem klokken 12 og 2;
 - Anvend aldrig segmentet mellem klokken 11 og 12 og mellem klokken 2 og 5, med mindre operatøren er veluddannet og erfaren og gør det på hans/hendes egen risiko;
 - Anvend aldrig metalklinger tæt på faste ting, som f.eks. hegn, mure, træstammer og sten;
 - Anvend aldrig metalklinger lodret, f.eks. til funktioner som kantafretning og hækkeklipping.

Vibration

- Personer med dårligt blodomløb, som udsættes for kraftige vibrationer, risikerer beskadigelse af blodkar eller nervesystemet. Vibrationer kan medføre følgende symptomer i fingre, hænder eller håndled: Leddet "sover" (følelsesløshed), prikken, smerte, stikken, ændring af hudfarven eller af huden. Søg læge, hvis nogen af disse symptomer opstår!
- For at reducere risikoen for "hvide fingre-syndrom" skal du holde dine varme under anvendelsen og vedligeholde udstyret og tilbehøret ordentligt.

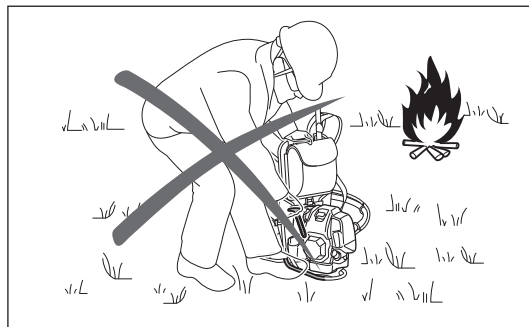
Vedligeholdelsesvejledning

- Få din maskine serviceret af et autoriseret servicecenter og anvend altid kun originale reservedele. Forkert reparation og dårlig vedligeholdelse kan forkorte maskinens levetid og forøge risikoen for uheld.
- Buskrydderens tilstand, især beskyttelsesanordningerne for skæreværktøjet, men også bæreselen, skal kontrolleres inden brug. Vær ekstra opmærksom på metalklingerne, der skal være slebet korrekt.
- Sluk for motoren og fjern tændrørshætten, når du udskifter eller sliber skæreværktøjer, samt også når du rengør buskrydderen eller skæreværktøjet.



Forsøg aldrig at rette beskadigede skæreværktøjer ud eller svejse dem.

- Vær opmærksom på omgivelserne. Undgå unødvendig aktivering af gashåndtaget for mindre luft- og støjforurening. Foretag korrekt justering af karburatoren.
- Rengør maskinen med jævne mellemrum og kontroller, at alle skruer og møtrikker er strammet ordentligt til.
- Foretag aldrig service eller opbevaring af maskinen i nærheden af åben ild.
- Opbevar altid maskinen på et aflåst sted og med en tom brændstoftank.
- Monter altid afskærmningen på metalklingen, når du rengør, servicerer og opbevarer maskinen.



Overhold de relevante vejledninger angående ulykkesforebyggelse som udgives af de pågældende brancheforeninger og forsikringsfirmaer. Af sikkerhedshensyn skal man ikke foretage ændringer på maskinen.

Udførsel af vedligeholdelsesarbejde eller reparationer af brugeren er begrænset til de ting, der er beskrevet i brugsanvisningen. Alt andet arbejde skal udføres af en godkendt serviceagent. Brug kun ægte reservedele og tilbehør, som forhandles og leveres af DOLMAR.

Brug af ikke-godkendt tilbehør og værktøjer kan forøge risikoen for uheld.

DOLMAR påtager sig intet ansvar for ulykker eller skader, der er opstået på grund af brug af ikke-godkendte skæreværktøjer, fastgørelsesmidler til skæreværktøjer eller tilbehør.

Førstehjælp

I tilfælde af en ulykke skal du sørge for at have en førstehjælpskasse i nærheden af det sted, hvor du udfører skærearbejde. Erstat straks de ting, der er taget fra førstehjælpskassen.

Oplys venligst følgende hvis du tilkalder hjælp:

- Sted for ulykke
- Hvad der er sket
- Antallet af tilskadedkomne personer
- Hvilke skader det drejer sig om
- Dit navn



Kun for lande i Europa

EF-overensstemmelseserklæring

Makita erklærer, at den følgende maskine(r) :

Maskinens betegnelse: Benzindrevet rygsæk-buskrydder
Modelnummer/ type: MS-4300.4 R

Overholder følgende europæiske direktiver:

2000/14/EF, 2006/42/EF

Er produceret i overensstemmelse med følgende standarder eller standardiserede dokumenter:

EN ISO 11806-2

Den tekniske dokumentation i overensstemmelse med 2006/42/EF findes hos:

Makita, Jan-Baptist Vinkstraat 2, 3070, Belgien

Den konformitetsvurderingsprocedure, der kræves i Direktiv 2000/14/EF, blev udført i henhold til appendiks V.

(Med nylontrimmerhoved)

Målt lydeffektniveau: 110,6 dB

Garanteret lydeffektniveau: 111 dB

(Med skæreblad)

Målt lydeffektniveau: 104,1 dB

Garanteret lydeffektniveau: 105 dB

1.9.2014

Yasushi Fukaya
Direktør

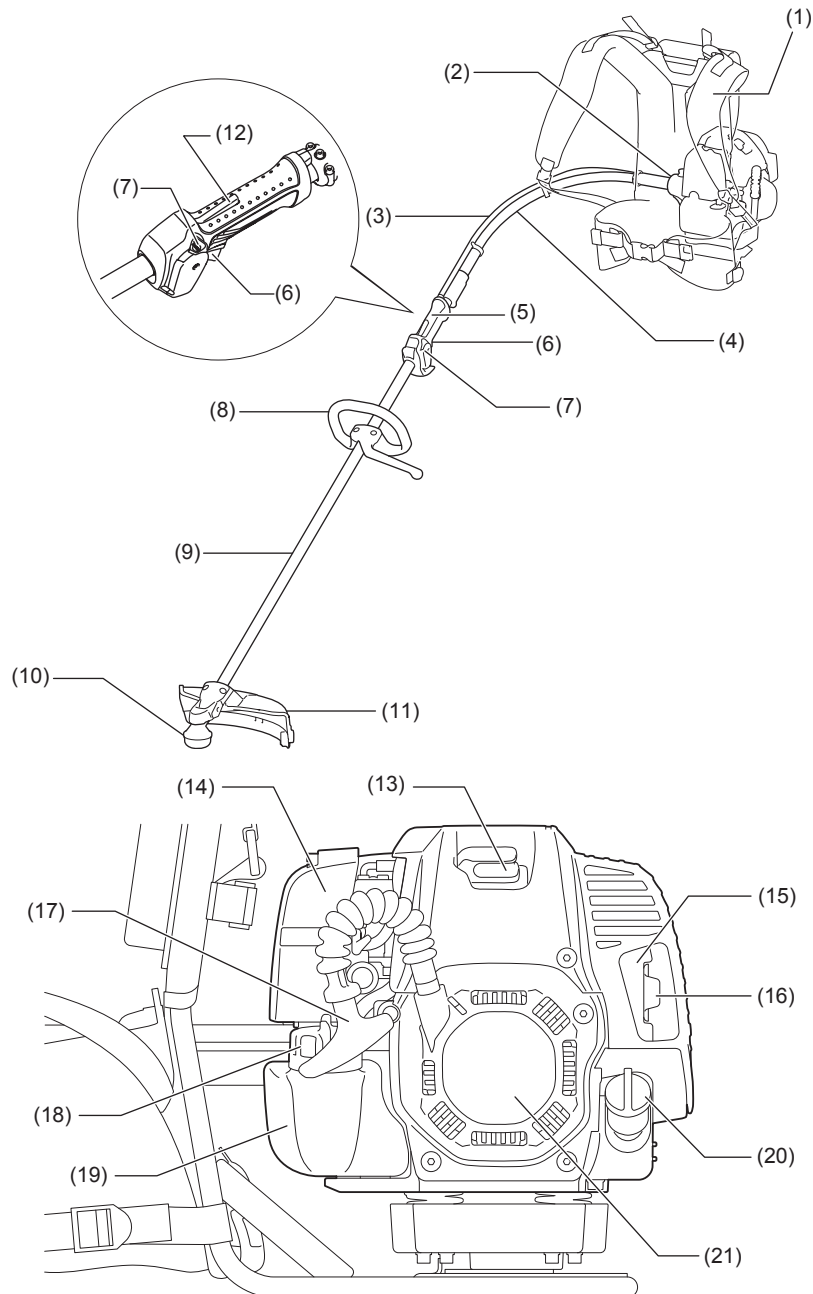
Makita, Jan-Baptist Vinkstraat 2, 3070, Belgien

TEKNISKE DATA

Model			MS-4300.4 R		
Håndtagstype			Bøjlehåndtag		
Mål: længde x bredde x højde (uden fleksibel / lige skaftdel)		mm	358 x 280 x 587		
Vægt (uden plasticskærm og skæreværktøj)		kg	12,0		
Volumen (brændstoftank)		l	0,8		
Volumen (olietank)		l	0,1		
Motorvolumen		cm ³	43,0		
Maksimal motorydelse		kW	1,5 ved 7 500 min ⁻¹		
Motorhastighed ved anbefalet maksimal spindelhastighed		min ⁻¹	10 500		
Maksimal spindelhastighed (tilsvarende)		min ⁻¹	7 200		
Tomgangshastighed		min ⁻¹	3 000		
Omdrejningstal ved indkobling		min ⁻¹	4 000		
Karburator			Membrantype		
Tændrør			type		
Elektrodeafstand			mm		
			KLINGE	NYLONTRIMMERHOVED	
Vibration pr. ISO 22867	Højre håndtag (Bagerste greb)	$a_{hw\ eq}$	m/s ²	2,7	2,4
		Usikkerhed K	m/s ²	0,8	0,7
	Venstre håndtag (Forreste greb)	$a_{hw\ eq}$	m/s ²	3,2	3,4
		Usikkerhed K	m/s ²	1,7	1,0
Gennemsnitligt lydtryksniveau i henhold til ISO 22868		$L_{PA\ eq}$	dB (A)	83,5	92,5
		Usikkerhed K	dB (A)	1,1	1,7
Gennemsnitligt lydbelastningsniveau i henhold til ISO 22868		$L_{WA\ eq}$	dB (A)	104,1	110,6
		Usikkerhed K	dB (A)	1,1	0,7
Brændstof			Bilbenzin		
Motorolie			API kvalitet SF klasse eller højere, SAE 10W-30 olie (4-takts bilmotorolie)		
Skæreværktøjer (klingediameter)		mm	440 (med nylontrimmerhoved), 255 (med 3-tandsklinge), 257 (med 3-tandsklinge), 305 (med 2-tands klinge)		
Gearforhold			13/19		

- På grund af vores fortløbende forsknings- og udviklingsprogram kan de heri indeholdte tekniske data ændres uden forudgående varsel.
- De tekniske data kan være forskellige fra land til land.

DELENES BETEGNELSE



1. Bæresele	2. Koblingshus	3. Styrekabel	4. Fleksibelt skaft
5. Bagerste greb	6. Gashåndtag	7. I-O kontakt (til/fra)	8. Håndtag
9. Lige skaft	10. Gearkasse	11. Skærm (Afskærmning for skæreværktøj)	12. Sikringshåndtag
13. Tændrør	14. Luftfilter	15. Lyddæmper	16. Udstødningsrør
17. Starthåndtag	18. Brændstoftankdæksel	19. Brændstoftank	20. Olieåbning
21. Rekylstarter			

MONTERING AF HÅNDTAG

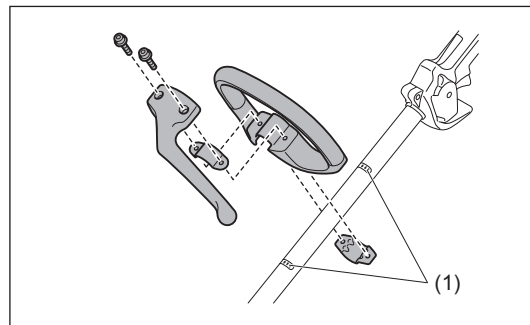
⚠ FORSIGTIG:

- Inden du udfører arbejde på maskinen, skal du altid stoppe motoren og fjerne tændrørshætten fra tændrøret.
- Bær altid beskyttelsehandsker!

⚠ FORSIGTIG:

- Start først motoren, når den er helt samlet.

- Fastgør bøjlehåndtaget på skaftet med to skruer.
- For at holde en passende afstand mellem grebene, skal du placere håndtaget mellem pilemarkeringerne (1) på skaftet.



MONTERING AF DET FLEKSIBLE SKAFT

Montering af det fleksible skaft

1. Fjern bolten (1) fra enden af det lige skaft (2).
2. Fjern hættten fra det fleksible skaft.

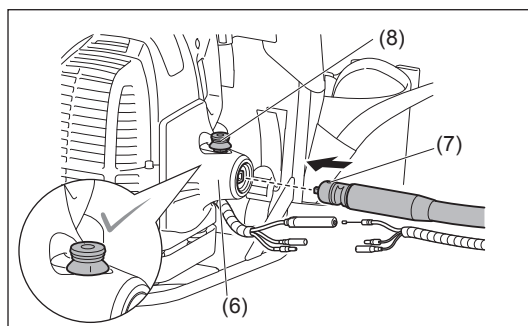
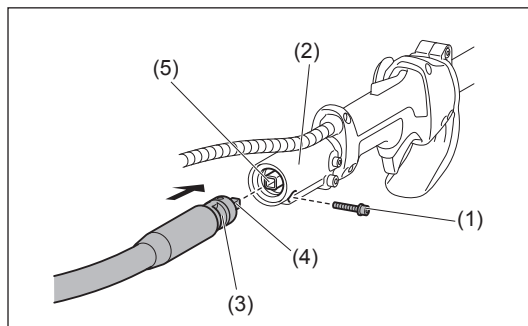
BEMÆRK:

- Tab ikke hættten. Gem altid hættten, når det fleksible skaft afmonteres.
3. Drej det fleksible skaft således, at delen med fordybning (3) i det fleksible skaft vender nedad.
 4. Anbring det firkantede, indvendige skaft (4) ud for sammenføjningshullet (5). Sæt enden på det fleksible skaft hele vejen ind i rørholderen.
 5. Stram dem med bolten (1).

BEMÆRKNING:

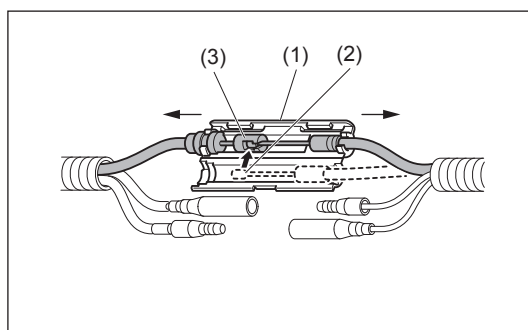
- Hvis det er svært at sætte det fleksible skaft ind, skal du sætte det firkantede, indvendige skaft (4) på linje igen.
 - Træk ikke det indvendige skaft mere end 35 mm ud.
6. Sæt hullet (7) på den anden ende af det fleksible skaft ud for knappen (8) på koblingshuset (6), og sæt det fleksible skaft ind i koblingshuset.
 7. Bekræft, at håndtaget klikker, når det går ind i hullet på det fleksible skaft.

For at fjerne det fleksible skaft fra koblingshuset, skal man trække håndtaget op og fjerne det.



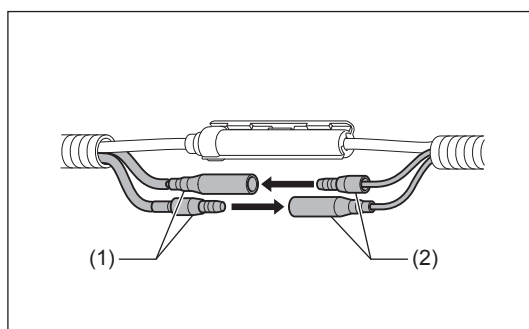
Tilslutning af kontrolkablet

1. Sæt enden af kontrolkablet fra kontrolhåndtaget (2) på enden af kontrolkablet fra motoren (3).
2. Anbring kontrolkablet fra kontrolhåndtaget i kontakten (1). Luk derefter kontakten.
3. Sørg for, at gashåndtaget i karburatoren flytter samtidigt når du trækker i gashåndtaget.



Tilslutning af ledningsenheden

Forbind ledningsenhederne fra motoren (1) med ledningsenhederne fra kontrolhåndtaget (2) så alle hanlige og hunlige terminaler er forbundne.

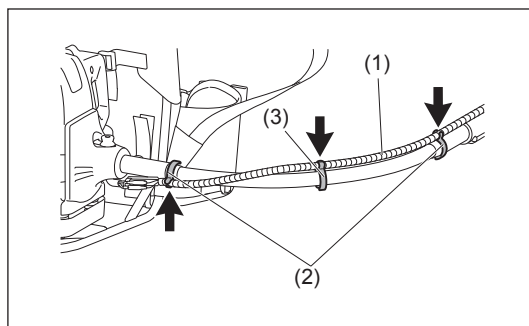


Fastgøring af kontrolkablet

Fastgør kontrolkablet (1) til det fleksible skaft ved hjælp af to klemmer (2) og endnu en klemme (3) som vist på illustrationen.

⚠ FORSIGTIG:

- Kontroller, at kontrolkablet sidder ordentligt fast på det fleksible skaft. Et løst kabel kan sætte sig fast i grene etc. og være årsag til personskaade.
- Sno ikke kontrolkablet omkring det fleksible skaft. Ellers vil gashåndtaget muligvis ikke fungere ordentligt.



MONTERING AF BESKYTTELSESKÆRM

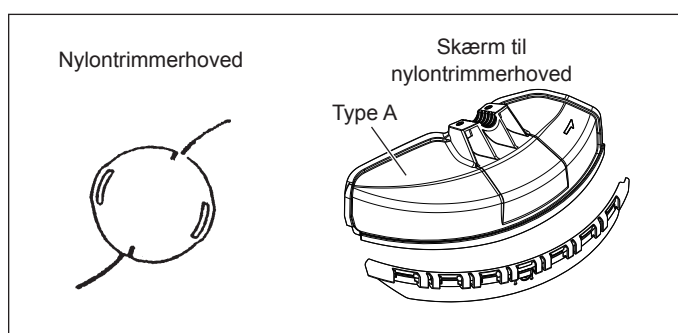
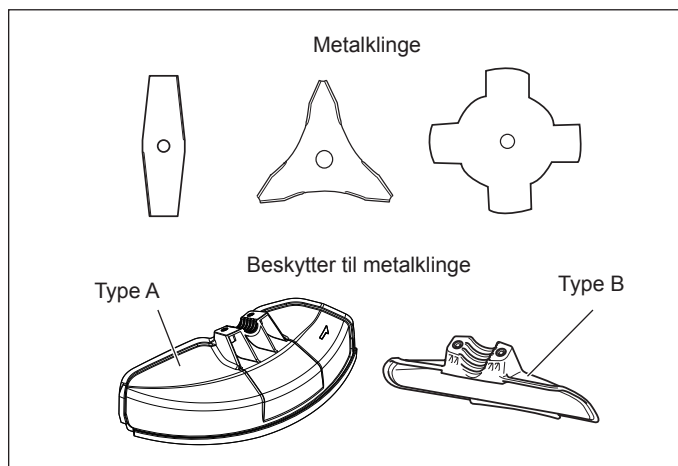
For at leve op til de gældende sikkerhedsbestemmelser må der kun anvendes de kombinationer af værktøj/afskærmning, som er angivet i tabellen.

⚠ FORSIGTIG:

- Den rigtige beskyttelseskærm skal altid være monteret for din egen sikkerheds skyld, men også for at overholde bestemmelserne for ulykkesforebyggelse. Det er ikke tilladt at betjene maskinen uden korrekt monteret skærm. Anvend ikke nogen andre kombinationer ved brug af en savklinge.

BEMÆRK:

- Standardkombinationen af skæreværktøjer varierer fra land til land.



Til metalklinger

⚠ FORSIGTIG:

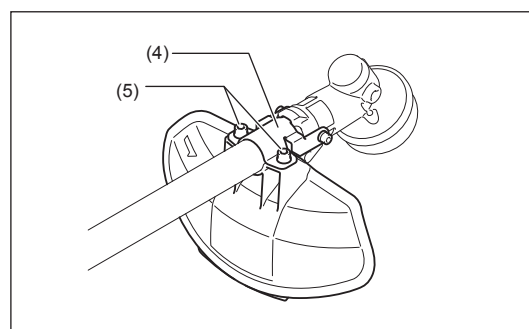
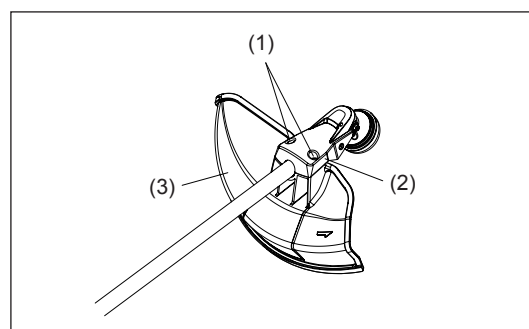
- Kontroller, at beskytterens fastspændingsbolte er strammet lige meget, således at mellemrummet mellem klemmen og beskytteren er konstant. I modsat fald vil beskytteren måske ikke altid fungere som tiltænkt.

(Til Type A beskytter)

Fastgør beskytteren (3) til klemmen (2) med to bolte M6x30 (1).

(Til Type B beskytter)

Fastgør beskytteren til klemmen (4) med to bolte M6x18 (5).

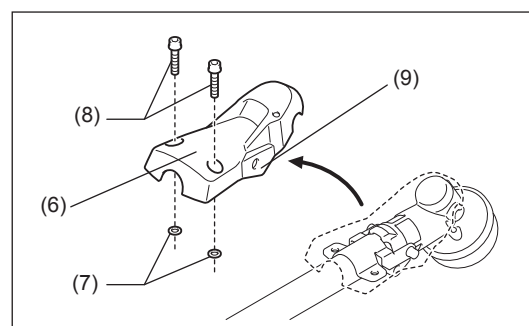


Hvis beskytterens dæksel (6) er monteret på skaftet, skal det først fjernes som vist herunder.

1. Fjern afstandsskiverne (7), boltene M6x30 (8) fra beskytterens dæksel.
2. Fjern beskytterens dæksel ved at sprede finnen (9) en smule.

BEMÆRK:

- Når der skiftes beskytter fra Type B til Type A, skal man montere beskytterens dæksel, boltene M6x30 og afstandsskiverne på skaftet, inden beskytteren monteres.

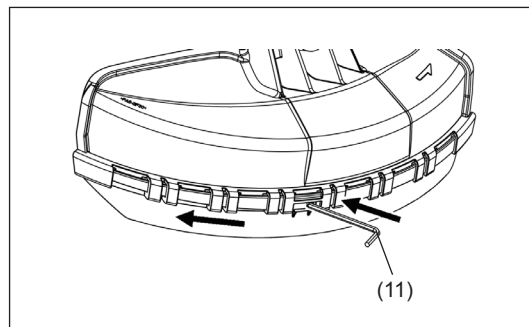
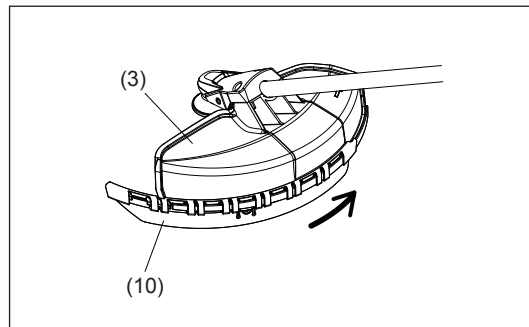


Til nylonkærehoved

- Sørg for at montere nylonkærehovedets beskytter (10) på type A metalklingebeskytteren (3), som er samlet med nylonkærehovedets beskytter.
- Monter nylontrimmerhovedets skærm (10) ved at skubbe den ind på plads ved siden af metalklingeskærmen (3).
- Fjern den tape, som sidder på kniven, som skærer nylonsnoren af, på nylontrimmerhovedets skærm (10).

⚠ FORSIGTIG:

- Sørg for at skubbe nylontrimmerhovedets skærm (10) på plads, så den er sat helt ind.
Pas på du ikke kommer til skade på kniven til skæring af nylonsnoren.
- For at afmontere nylontrimmerhovedets skærm (10), skal du sætte en unbrakonøgle (11) ind i indhakket på metalklingeskærmen (3) og trykke den ind, mens du skubber nylontrimmerhovedets skærm (10) af.



MONTERING AF METALKLINGE ELLER NYLONTRIMMERHOVED

Sørg for at anvende ægte DOLMAR-metalklinger eller nylontrimmerhoved.

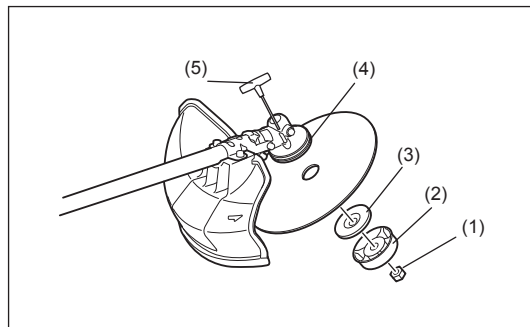
- Metalklingen skal være velpudset og fri for ridser og revner. Hvis metalklingen rammer en sten under arbejdet, skal du standse motoren og øjeblikkeligt undersøge klingen.
- Puds eller udskift metalklingen efter hver tre timers brug.
- Hvis nylontrimmerhovedet rammer mod en sten under arbejdet, skal du stoppe motoren og øjeblikkeligt undersøge nylontrimmerhovedet.

⚠ FORSIGTIG:

- Den rigtige beskyttelsesskærm skal altid være monteret for din egen sikkerheds skyld, men også for at overholde bestemmelserne for ulykkesforebyggelse. Det er ikke tilladt at betjene maskinen uden korrekt monteret skærm. Den udvendige diameter på klingen skal være 300 mm eller mindre. Anvend aldrig nogen klinger med en større udvendig diameter end 300 mm. Skæreklinger med en udvendig diameter på 305 mm eller 12 tommer kan kun bruges til dem med 2-tandsklinge.

Vend det lige skaft på hovedet, så er det nemt at udskifte metalklingen eller nylontrimmerhovedet.

- Sæt unbrakonøglen (5) ind i hullet i gearkassen og drej modtageskiven (4) med unbrakonøglen, så den er låst.
- Løsn møtrikken (1) (venstregevind) med topnøglen og fjern møtrikken (1), underlagsskiven (2) og klemmeskiven (3).



Montering af metalklingen med unbrakonøglen stadig på plads

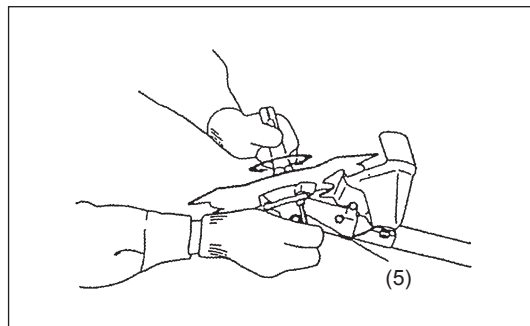
- Monter metalklingen på skaftet, således at guiden på modtageskiven (4) går ind i skaft-hullet i metalklingen. Monter klemmeskiven (3), underlagsskiven (2) og fastgør klingen med møtrikken (1). [Tilspændingsmoment: 20 – 30 N•m]

BEMÆRK:

- Bær altid handsker, når du håndterer metalklingen.

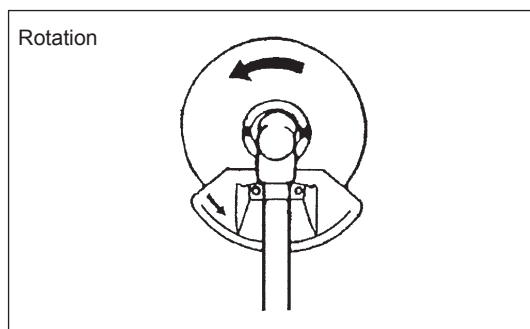
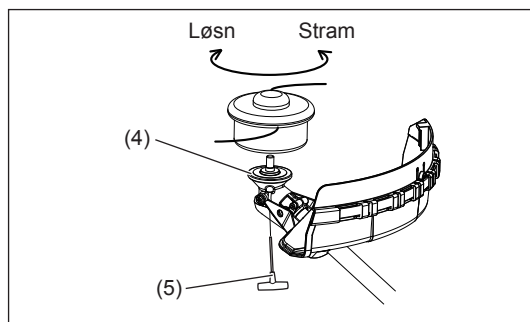
BEMÆRK:

- Fastspændingsmøtrikken til metalklingen (med fjederskive) er en forbrugsdel. Hvis der observeres slitage eller deformation på fjederskiven, skal møtrikken skiftes ud.



Montering af nylontrimmerhoved

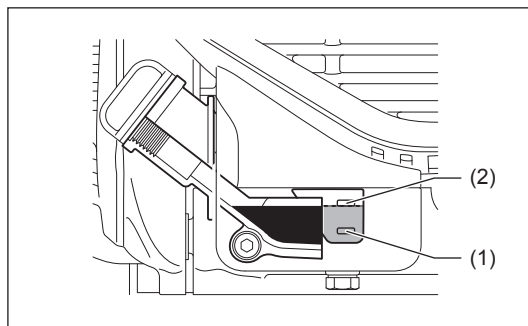
- Klemmeskiven (3), underlagsskiven (2) og møtrikken (1) behøves ikke for montering af nylontrimmerhovedet. Nylontrimmerhovedet skal placeres oven på modtageskiven (4).
- Sæt unbrakonøglen (5) ind i hullet i gearkassen og drej modtageskiven (4) med unbrakonøglen, så den er låst.
- Skru derefter nylontrimmerhovedet på skaftet ved at dreje det mod urets retning.
- Fjern unbrakonøglen.



INDEN ANVENDELSE

Eftersyn og opfyldning af motorolie

- Udfør den følgende procedure med afkølet motor.
- Sørg for, at motoren er på en plan, vandret flade og bekræft, at oliestanden er mellem den nedre (1) og øvre (2) grænse på olieindikatoren.
- Hvis oliestanden er under den nederste grænse, skal du tage oliedækslet af og påfylde olie.
- Området omkring de udvendige mærker er gennemsigtigt, så oliemængden inde i kan kontrolleres uden at det er nødvendigt at tage olieækslet af. Hvis olierøret imidlertid bliver ekstremt snavset, kan det blive svært at se udefra, og oliestanden må da kontrolleres vha. det tredelte afsnit inden i olierøret.
- Det kan være nødvendigt at påfylde olie hver 10. driftstime (hver 10. påfyldning af brændstof).
Hvis olien skifter farve eller der kommer snavs i, skal den udskiftes med ny olie.
(For udskiftningsinterval og metode, se S 219.)



Anbefalet olie: SAE 10W-30 olie under API-klassifikation, klasse SF eller højere (4-takts bilmotor)

Olievolumen: Ca. 0,10 l

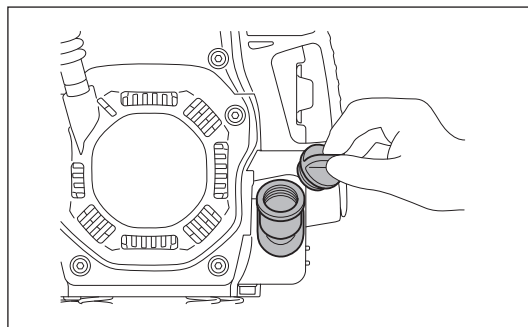
BEMÆRK:

- Hvis motoren ikke er placeret på en plan flade som vist på illustrationen, angives der muligvis en unøjagtig oliestand og der kan blive fyldt for meget olie på. Påfyldes der olie til op over den øverste grænse, kan det medføre olieforurening og/eller hvid røg.

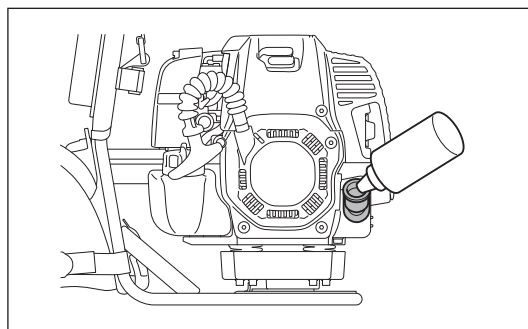
Udskiftning af olie: "Oliedæksel"

- Fjern støv og snavs i nærheden af oliepåfyldningsåbningen og fjern oliedækslet.
- Hold det aftagne oliedæksel fri for sand og støv. I modsat fald kan sand eller støv, der sætter sig fast på oliedækslet, medføre uregelmæssig oliecirculation eller slitage på motordelene, hvilket vil resultere i problemer.

(1) Hold motoren vandret og tage oliedækslet af.



(2) Påfyld olie op til mærket for den øverste grænse.
Brug en olieflaske ved påfyldning.



(3) Stram oliedækslet godt til. Der kan spildes olie, hvis det ikke strammes ordentligt.

BEMÆRK:

- Skift ikke olie, mens motoren er i en vippet position.
- Påfyldes der olie, mens motoren er vippet, medfører det overopfyldning, hvilket forårsager olieforurening og/eller hvid røg.

Efter påfyldning af olie

- Tør straks al spildt olie af med en klud.

PÅFYLDNING AF BRÆNDSTOF

Håndtering af brændstof

Det er nødvendigt at håndtere brændstof med stor forsigtighed. Brændstof kan indeholde substanser, der minder om opløsningsmidler. Påfyldning af brændstof skal udføres i et godt ventileret rum eller i fri luft. Indhaler aldrig brændstofdampe og hold brændstof væk fra dig. Hvis du rører gentagne gange ved brændstof, eller i lang tid, bliver huden tør, og det kan muligvis medføre hudsygdomme eller allergi. Hvis du får brændstof i øjet, skal du rense øjet med rent vand. Hvis øjet stadig er irriteret, skal du kontakte en læge.

Opbevaringsperiode for brændstof

Brændstof bør opbruges inden for 4 uger, selvom det opbevares i en særlig beholder på et veludluftet sted afskærmet fra solen. Ellers kan brændstoffet nedbrydes på en dag.

OPBEVARING AF MASKINE OG GENOPFYLDNINGSTANK

- Opbevar maskinen og tanken på et køligt sted uden for direkte sollys.
- Opbevar aldrig brændstoffet i en bil.

Brændstof

Motoren er en firetaktsmotor. Sørg for, at anvende almindelig blyfri benzin, oktan 87 eller højere ((R+M)/2). Den må ikke indeholde mere end 10% alkohol (E-10).

Punkter angående brændstof

- Brug aldrig en benzinblanding, der indeholder motorolie. I modsat fald vil det medføre en for stor kulophobning eller mekaniske problemer.
- Brug af gammel olie vil give startproblemer.

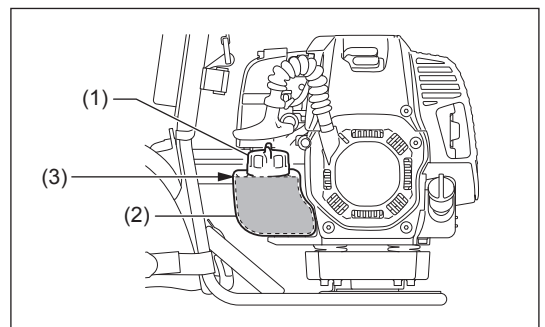
Påfyldning af brændstof

⚠ ADVARSEL:

- **Sluk for motoren inden påfyldning af brændstof, hold maskinen væk fra åben ild, samt undlad at ryge.**
- Løsn tankdækslet (1) en lille smule for at udligne trykket i tanken.
- Tag tankdækslet af og fyld brændstof på. Fyld IKKE brændstof på op til den øvre grænse (3) for påfyldning.
- Tør ydersiden af tankdækslet af for at forhindre snavs i at komme ind i brændstoftanken.
- Efter påfyldning af brændstof skal tankdækslet strammes godt til.

BEMÆRK:

- Hvis der er revner eller skader på tankdækslet, skal det udskiftes.
- Tankdækslet slides med tiden. Udskift det hvert andet eller tredje år.
- Fyld IKKE brændstof i oliepåfyldningsåbningen.



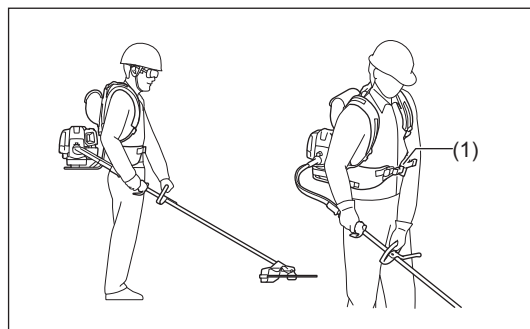
KORREKT HÅNDTERING AF MASKINEN

⚠ ADVARSEL:

- Hvis du ikke har fuld kontrol over maskinen, kan det resultere i alvorlig kvæstelse eller DØD.

Montering af bæresele

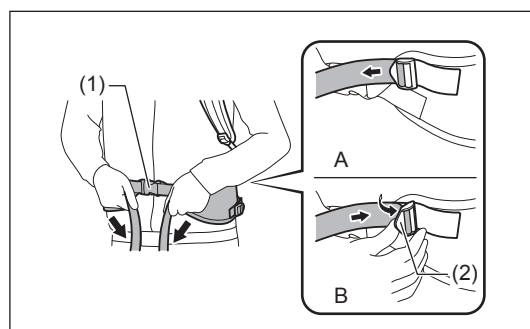
Juster bæreselen, så motoren sidder komfortabelt på ryggen under arbejdet.



1. Sæt bæreselen på ryggen og luk spændet (1).

Livremmen spændes ved at man trækker i enden af remmen (A).

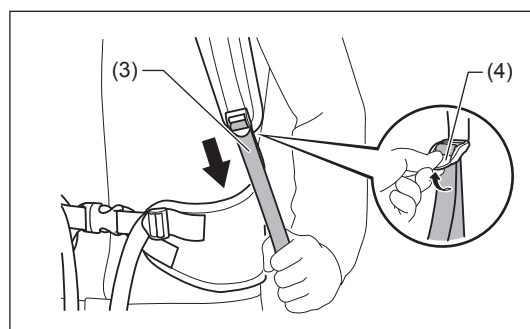
For at løsne den, skal man trække enden på fastgøringsanordningen (2) (B) op.



2. Juster skulderremmen (3) til en længde, der er komfortabel at arbejde med.

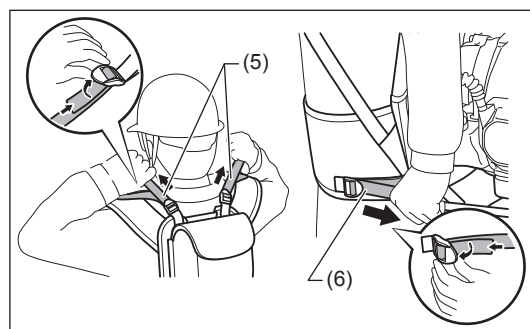
For at fastgøre remmen, skal man trække i enden af remmen.

For at løsne den, skal man trække enden af fastgøringsanordningen (4) op.

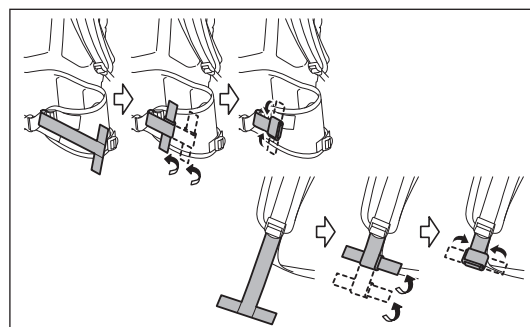


3. Juster stabiliseringsremmen for skulder og hoft (5, 6). For at fastgøre

remmen, skal man trække i enden af remmen. For at løsne den, skal man trække enden af fastgøringsanordningen op.

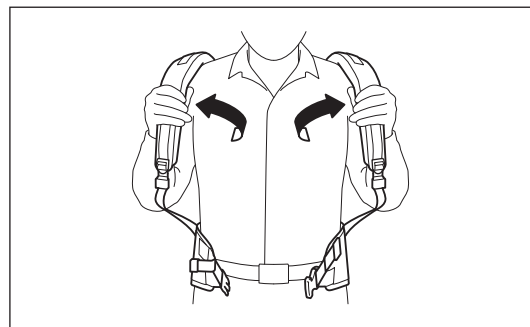
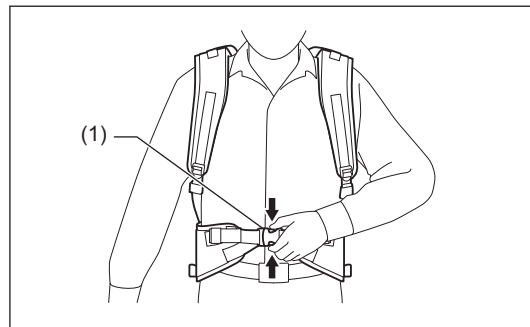


4. Rul overskydende remme sammen og fastgør dem med bøjle og krog-fastgøringsanordningen.



Aftagning af maskinen

- For at frigøre maskinen, skal man trykke på siderne af spændet (1) og tage seletøjet af.
Vær meget omhyggelig med at opretholde kontrollen over maskinen på dette tidspunkt. Tillad ikke, at maskinen bliver slået tilbage mod dig eller andre personer i arbejdsområdet.



HVORDAN MOTOREN STARTES OG STOPPES

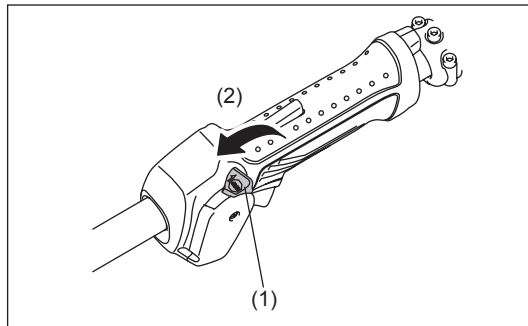
Overhold de gældende bestemmelser for ulykkesforebyggelse!

START

Gå mindst 3 m væk fra stedet for brændstoftopfyldning. Anbring enheden på jorden og sørg for, at skæreværktøjet ikke kommer i kontakt med jorden eller andre genstande.

A: Koldstart

- 1) Anbring maskinen på en plan flade.
- 2) Sæt I-O knappen (1) til DRIFT (2).



- 3) Chokerhåndtag
Luk chokerhåndtaget.

Chokeråbning:

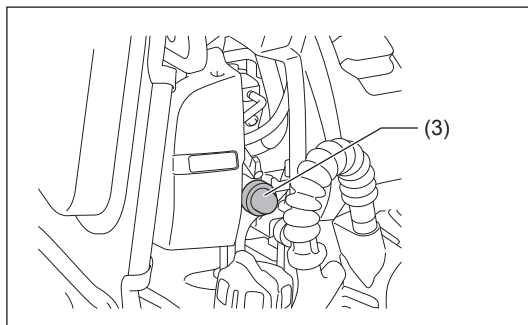
- Fuld lukning i kulde eller hvis motoren er kold.
- Fuld eller halv åbning, hvis motoren er en smule varm, som f.eks. genstart af motoren efter standsning under opvarmning.



- 4) Tipper

Fortsæt med at trykke på tipperen (3), indtil der kommer brændstof ind i den.
(Der behøves generelt 7 til 10 tryk.)

Hvis der trykkes for meget på tipperen, vender det overskydende brændstof tilbage til brændstoftanken.



5) Rekylstarter

Sørg for at have et solidt fodfæste.

Hold enheden med venstre hånd og tryk den fast ned.

⚠ FORSIGTIG:

- Du må ikke stå eller knæle på gashåndtagets kabel. Der kan muligvis blive trukket i den indvendige ledning, og skæreværktøjet kan begynde at rotere utilsigtet.
- Åbn ikke gashåndtaget.

Træk forsigtigt i starthåndtaget, indtil der føles en vis modstand. Sæt derefter starthåndtaget tilbage og træk kraftigt i det.

Træk aldrig snoren maksimalt ud. Når først starthåndtaget er trukket, må du aldrig slippe med det samme. Hold i starthåndtaget, indtil det vender tilbage til den oprindelige position.

6) Chokerhåndtag

Sæt chokerarmen til ÅBEN-stillingen, så snart motoren starter.

- Åbn chokerhåndtaget gradvist, mens du kontrollerer motorens funktion. Sørg for at åbne chokerhåndtaget helt op til sidst.
- Hvis det er koldt, eller hvis motoren er kølet af, må du aldrig pludseligt åbne chokerhåndtaget. Hvis du gør det, stopper motoren muligvis.

7) Opvarmning

Fortsæt opvarmning i 2 til 3 minutter.

BEMÆRKNING:

- **Træk ikke unødvendigt i gashåndtaget, når motoren ikke kører.** Det kan medføre brændstofdækage fra luftfilteret. Hvis det sker, skal du tørre brændstoffet af. Du skal også åbne luftfilterdækslet og rengøre elementet og luftfilterpladen.

BEMÆRK:

- Træk ikke unødvendigt i gashåndtaget, når motoren ikke kører. Det kan muligvis medføre drukning af motoren, og kan gøre det svært at starte motoren.
- Hvis brændstoffet flyder over, skal du fjerne tændrøret og trække langsomt i starthåndtaget for at fjerne det overskydende brændstof. Tør også tændrørets elektrodedel af.
- Hvis motoren tænder og stopper, eller stopper straks efter starten, skal man returnere chokerarmen til ÅBEN-stillingen og trække et par gange igen i starterknappen for at starte motoren.
- Hvis chokerarmen efterlades i LUK-stillingen, og man blot trækker gentagne gange i starterknapen, vil der blive suget for meget brændstof ind, og det vil blive svært at starte motoren.
- Kør ikke motoren unødvendigt højt op i omdrejninger under opvarmningsdriften.

B: Varmstart

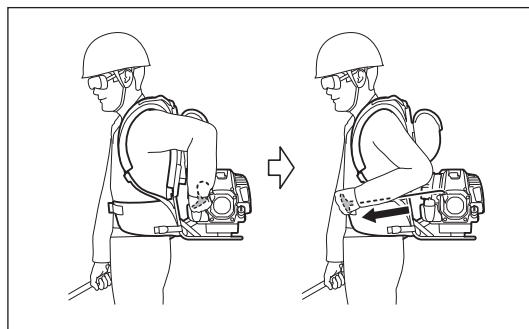
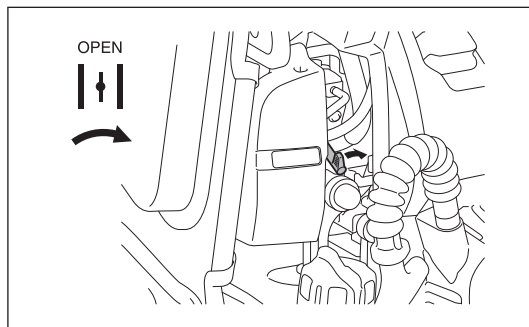
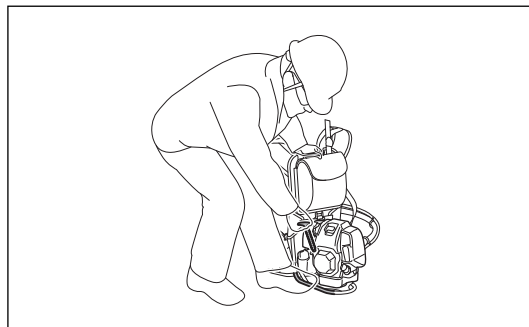
- 1) Hold chokerhåndtaget helt åbent.
- 2) Tryk gentagne gange på tipperen.
- 3) Hold gashåndtaget på tomgangspositionen.
- 4) Træk kraftigt i rekylstarteren.

Det er også muligt at starte motoren igen, mens du bærer maskinen på ryggen.

⚠ FORSIGTIG:

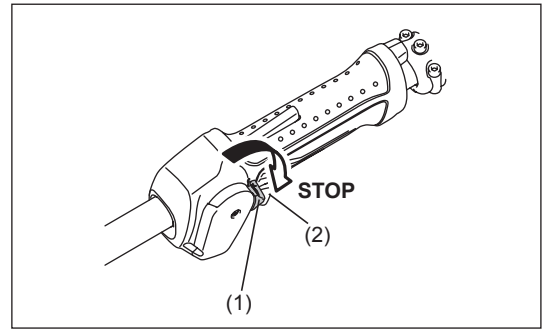
- Sørg for, at skæreværktøjet ikke er i kontakt under genstarten.
- Træk ikke i gashåndtaget under genstarten. Dette kan bevirke, at skæreværktøjet begynder at rotere.

Hold håndtaget med højre hånd, og træk kraftigt i starthåndtaget.



STOPPROCEDURE

- 1) Frigør gashåndtaget (2) helt, og når motoromdrejningerne pr./min. er mindsket, sættes I-O knappen (1) til STOP. Motoren stopper nu.
- 2) Skæreværktøjet fortsætter med at rotere et stykke tid, efter at motoren er stoppet. Vent, indtil det er stoppet helt.

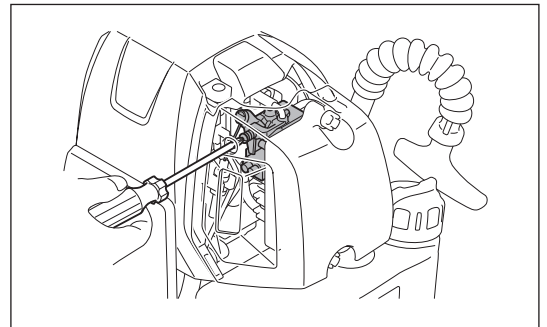


JUSTERING AF TOMGANGSHASTIGHED

Når det er nødvendigt at justere tomgangshastigheden, skal du justere på karburatorens justeringsskruer.

KONTROL AF TOMGANGSHASTIGHED

- Indstil tomgangshastigheden til 3 000 min⁻¹. Hvis det er nødvendigt at ændre tomgangshastigheden, skal du anvende en phillips-skruetrækker til at skrue på skruen illustreret til højre.
- For at øge tomgangshastigheden, skal man dreje justeringsskruen i urets retning. For at reducere tomgangshastigheden skal du dreje justeringsskruen mod urets retning.
- Karburatoren er indstillet på fabrikken. Men efter gentagen brug skal tomgangshastigheden justeres igen.



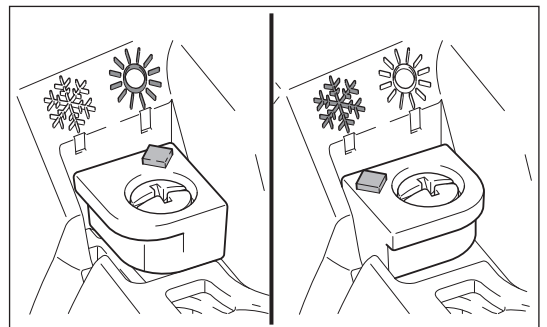
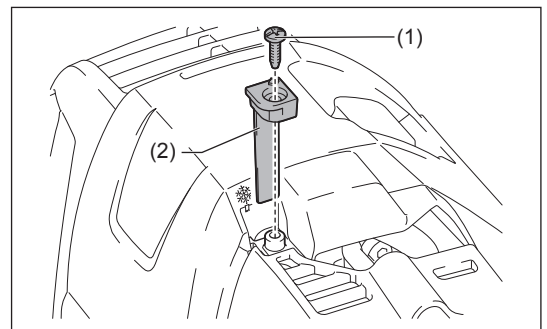
FORHINDRING AF TILISNING AF KARBURATOR

⚠ FORSIGTIG:

- Når omgivelsestemperaturen er højere end 10°C, skal du altid sætte lukkeren i den normale stilling (solsmærke). Ellers kan motoren lide skade pga. overophedning.

Når omgivelsestemperaturen er høj, og luftfugtigheden er lav, kan vanddamp fryse til is inden i karburatoren, hvilket får motoren til at køre ustabil (tilisning af karburator). Ændr om nødvendigt indstillingen af lukkeren som vist.

1. Fjern skruen (1).
2. Ændr retningen på lukkeren (2) som følger:
 - Omgivelsestemperaturen er højere end 10°C: Indstil lukkeren på normal position (solsymbol).
 - Omgivelsestemperaturen er 10°C eller lavere: Indstil lukkeren på anti-tilisningspositionen (snesymbol).
3. Stram skruen.



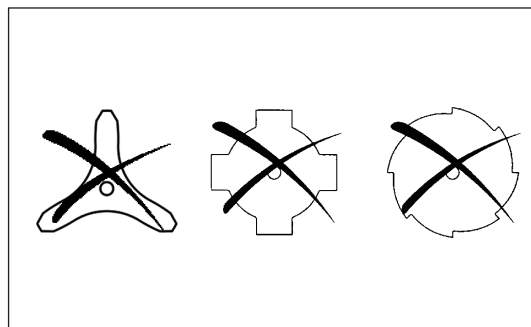
SLIBNING AF SKÆREVÆRKTØJET

⚠ FORSIGTIG:

- Skæreværktøjerne vist på illustrationen må ikke slibes. Manuel slibning vil resultere i ubalancer i skæreværktøjet, hvilket forårsager vibrationer og skader på maskinen.

BEMÆRK:

- For at forlænge klingens levetid, kan den vendes om en enkelt gang, indtil begge skærekanten er blevet sløve.



NYLONTRIMMERHOVED

Nylontrimmerhovedet er et trimmerhoved med to snore udstyret med bank-fremføringsmekanisme.

Nylontrimmerhovedet tilføjer automatisk nylonsnor, efter at trimmerhovedet er blevet banket ned på jorden.

Betjening

- Øg nylontrimmerhovedets hastighed til ca. 6 000 min⁻¹. Bank nylontrimmerhovedet let ned i jorden.
- Det mest effektive skæreområde er vist med det skraverede område.
- Hvis nylonsnoren ikke fremføres, skal du oprulle/udskifte nylonsnoren ved at følge de procedurer, som er beskrevet under "Udskiftning af nylonsnor".

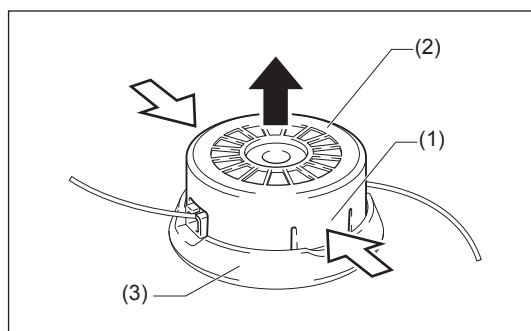


Udskiftning af nylonsnoren (BANK-FREMFØRING)

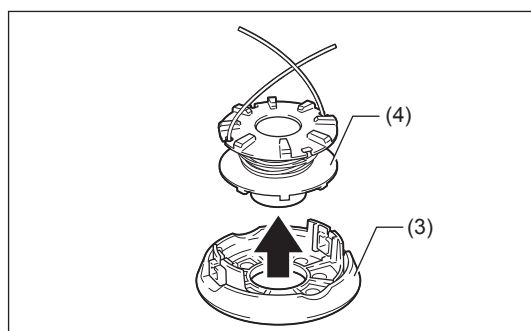
⚠ ADVARSEL:

- Sørg for, at nylontrimmerhovedets dæksel er ordentligt fastgjort til huset som beskrevet nedenfor. Fastgøres dækslet ikke ordentligt, kan det medføre, at nylontrimmerhovedet slynges af med alvorlige personskader til følge.

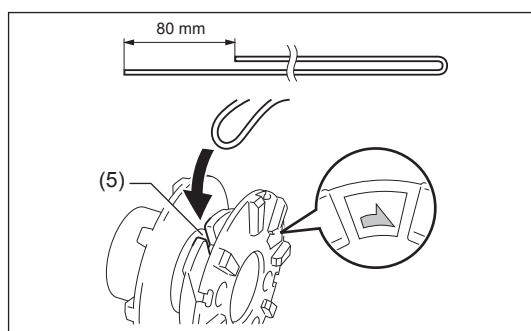
1. Tryk ind på låsemekanismerne (1) på huset (2) og løft op for at fjerne dækslet (3).



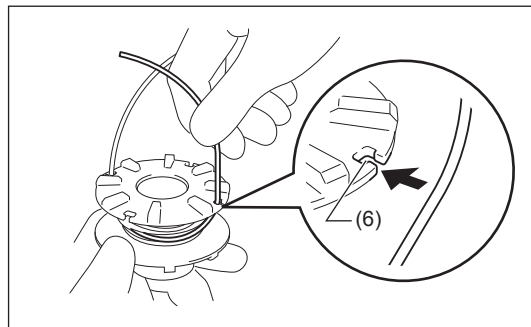
2. Frigør nylonsnoren fra øjet. Fjern spolen (4) fra dækslet. Smid den resterende nylonsnor ud.



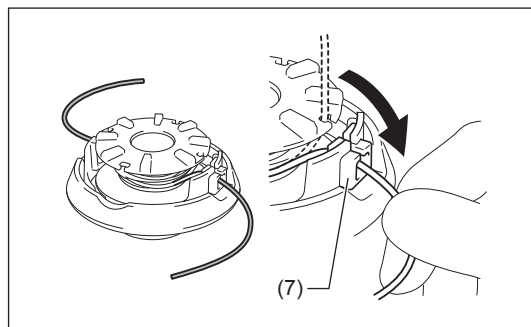
3. Hægt midten af den nye nylonsnor på indhakket (5) på midten af spolen mellem de 2 kanaler. Den ene side af snoren bør være ca. 80 mm længere end den anden side. Vikl begge ender stramt omkring spolen i den retning, der er angivet med pilemærket på spolen.



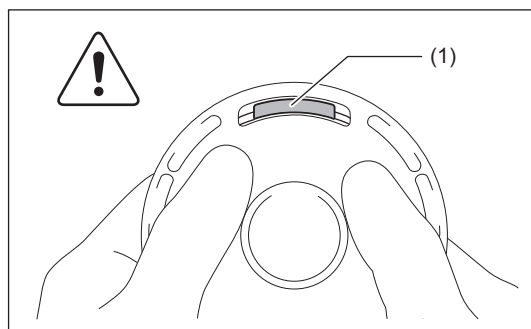
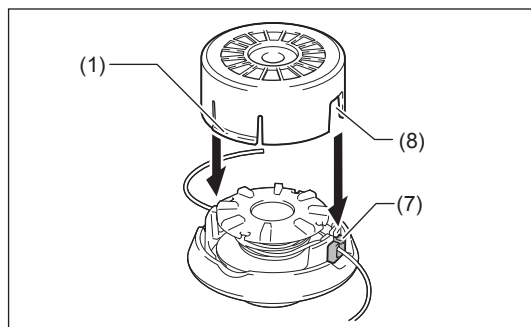
4. Vikl snorene helt op på nær 100 mm af snorene, og lad midlertidigt enderne være hægtet gennem indhakkene (6).



5. Monter spolerne i dækslet, sådan at indhakkene matcher øjerne (7). Hægt derefter enderne på snoren af fra deres midlertidige stilling, og før snorene gennem øjerne.



6. Ret de firkantede riller (8) på huset ind med øjerne (7). Tryk derefter huset godt på dækslet, sådan at det sidder fast. Sørg for, at klemmekanismerne (1) hæfter dækslet godt fast.



SERVICERINGSINSTRUKTIONER

⚠ FORSIGTIG:

- Inden du udfører noget arbejde på maskinen, skal du altid stoppe motoren og fjerne tændrørshætten fra tændrøret (se "kontrol af tændrøret"). Bær altid beskyttelseshandsker!

Udfør følgende vedligeholdelse med jævne mellemrum for at sikre en lang brugslevetid og for at undgå skader på maskinen.

Dagligt eftersyn og vedligeholdelse

- Kontroller inden brug af maskinen, om der er løse skruer og manglende dele. Vær især opmærksom på tilspændingen af metalklingen og nylontrimmerhovedet.
- Inden anvendelse, kontroller altid for tilstopning af luftafkølingskanalen og cylinderribberne. Rengør dem om nødvendigt.
- Udfør dagligt følgende vedligeholdelse efter brug:
 - Rengør maskinen udvendigt og undersøg for skader.
 - Rens luftfilteret. Rens filteret flere gange om dagen, hvis du arbejder i støvede omgivelser.
 - Kontroller klingens og nylontrimmerhovedets skader og sørg for, at den/det er ordentligt monteret.
 - Kontroller, om der er tilstrækkelig forskel mellem tomgang- og arbejdshastigheder for at sikre, at skæreværktøjet ikke bevæger sig, når motoren er i tomgang (hvis det er nødvendigt, skal du reducere tomgangshastigheden). Hvis maskinen stadig kører under tomgang, skal du konsultere den nærmeste godkendte serviceagent.
- Kontroller funktionen af I-O kontakten, låsehåndtaget og gashåndtaget.

UDSKIFTNING AF MOTOROLIE

Gammel motorolie vil forkorte motorens levetid. Sørg for at kontrollere olie og niveau regelmæssigt.



ADVARSEL: Motoren og motorolien er stadig varm lige efter standsning motoren. Giv motoren og motorolien rigelig tid til at køle af. Ellers kan det medføre hudforbrændinger.

BEMÆRK:

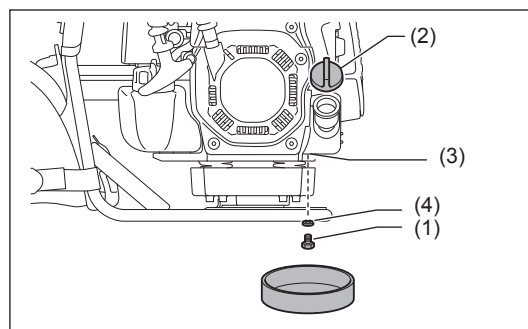
- Hvis der påfyldes olie over grænsen, kan den blive snavset og eventuelt antændes og afgive hvid røg. Giv motorolien tilstrækkelig tid til at returnere til olietanken efter standsning af motoren for at sikre korrekt læsning af oliestanden.

Udskiftningsinterval: Først efter 20 driftstimer, efterfulgt af hver 50 driftstimer.

Anbefalet olie: SAE 10W-30 olie under API-klassifikation, klasse SF eller højere (4-takts bilmotor)

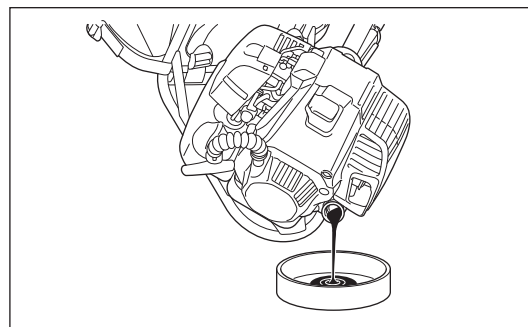
For udskiftning, udfør følgende procedure.

- 1) Sørg for, at brændstoftankdækslet er strammet godt til.
- 2) Anbring en stor beholder (bakke etc.) under aftapningshullet.
- 3) Fjern aftapningsbolten (1) og fjern derefter oliedækslet (2) for at lade olien løbe ud af aftapningshullet (3).
Pas på dette tidspunkt på ikke at miste pakningen til aftapningsbolten (4) eller at tilsmudse nogen af de aftagne dele.
- 4) Når al olien er udtømt, skal du montere pakningen og aftapningsbolten og stramme aftapningsbolten godt til, så den ikke løsner sig og forårsager lækager.
[Tilspændingsmoment: 5 N•m]
* Brug en klud til at tørre al olie på bolten og udstyret bort.



Alternativ aftapningsmetode

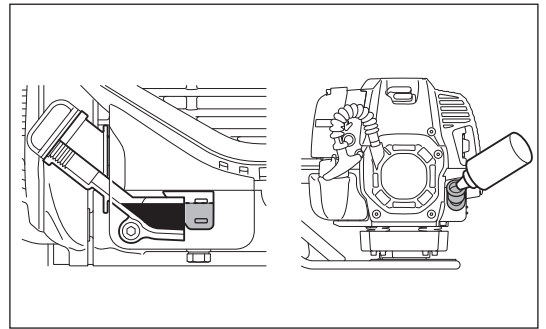
Fjern oliedækslet, vip maskinen mod oliepåfyldningshullet og tap olien af. Opsaml olien i en beholder.



- 5) Hold motoren vandret og fyld gradvist ny olie op til mærket for den øvre grænse.
- 6) Efter påfyldning skrues oliedækslet godt fast, så det ikke løsner sig og forårsager lækager.
Hvis oliedækslet ikke skrues ordentligt på, kan olien lække ud.

PUNKTER VEDRØRENDE OLIE

- Bortskaf aldrig udskiftet motorolie sammen med almindeligt affald, på jorden eller i kloakken. Bortskaffelse af olie er reguleret via loven. De relevante love og bestemmelser skal altid følges ved bortskaffelse af olie. Kontakt i tvivlsspørgsmål en autoriseret serviceagent.
- Olie nedbrydes, selv om den ikke anvendes. Udfør eftersyn og udskiftning med regelmæssige mellemrum (udskift med ny olie hver 6. måned).



RENGØRING AF LUFTFILTER



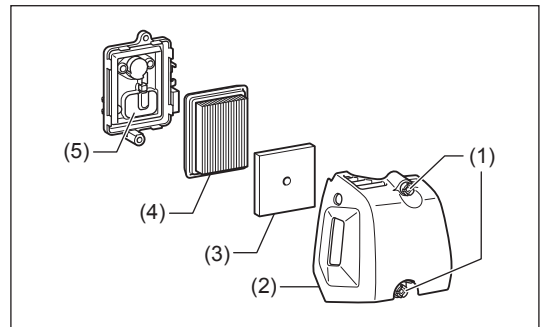
ADVARSEL: Sluk for motoren, hold maskinen væk fra åben ild, samt undlad ryge.

Interval for rengøring og eftersyn: Dagligt (hver 10. driftstime)

- Drej chokerhåndtaget helt over til den lukkede side og hold karburatoren fri fra støv og snavs.

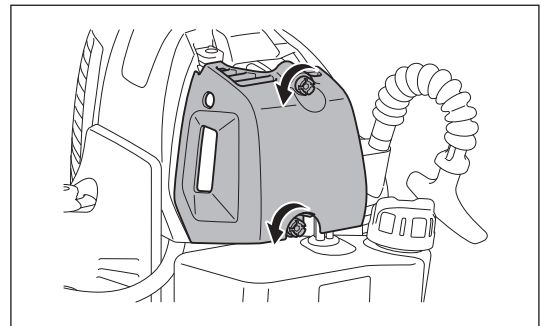
Aftagning af luftfilterdæksel

- Løsn de to fastgørelsesbolte (1).
- Træk i og fjern luftfilterdækslet (2).



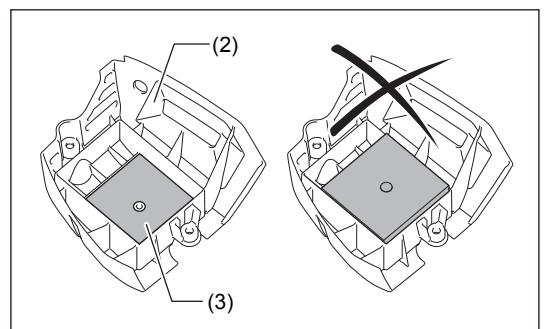
Rengøring af elementet

- Fjern elementerne (3, 4) og bank på dem for at fjerne snavs.
- Når det er meget beskidt:
 - 1) Tag elementet (svampen) (3) af, læg det i varmt vand eller et neutralt rengøringsmiddel fortyndet med vand og tør det fuldstændigt. Lad være med at vride eller gnubbe det under vask.
 - 2) Rengør elementet (papiret) (4) ved at banke let på det. Hvis du har mulighed for at anvende en blæsepistol, skal du blæse komprimeret luft på indersiden af elementet (papir). Vask ikke elementet (papir).
- Sørg for, at elementet (svampen) er helt tørt, inden du sætter det på igen. Utilstrækkelig tørring af elementet (svampen) kan gøre det svært at starte.
- Aftør olie, der sidder omkring luftfilterdækslet og separatorpladen (5), med en klud.



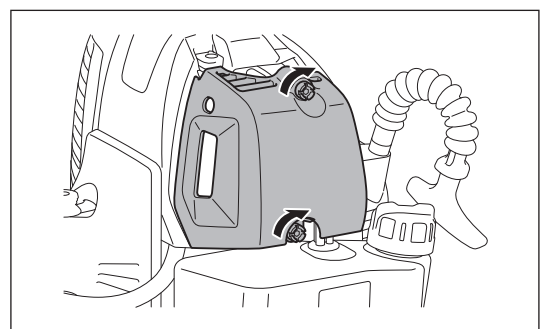
Påsætning af luftfilterdækslet

- Monter elementet (svampen) og elementet (papir). Sæt elementet (svampen) helt ind i luftfilterdækslet.
- Stram luftfilterdækslet med to fastgørelsesbolte.



BEMÆRKNING:

- Rengør elementerne flere gange om dagen, hvis der sætter sig meget støv i dem. Snavsede elementer reducerer motorydelsen og besværliggør start af motoren.
- Fjern olie på elementerne. Hvis maskinen fortsat anvendes, uden at elementerne er rensede for olie, kan olien i luftfilteret muligvis løbe ud og resultere i miljøforurening.
- Anbring ikke elementerne på jorden eller på et snavset sted. Ellers kan der sætte sig skidt og snavs på dem, hvilket kan beskadige elementerne.
- Brug aldrig brændstof til rengøring af elementerne. Brændstoffet kan ødelægge dem.

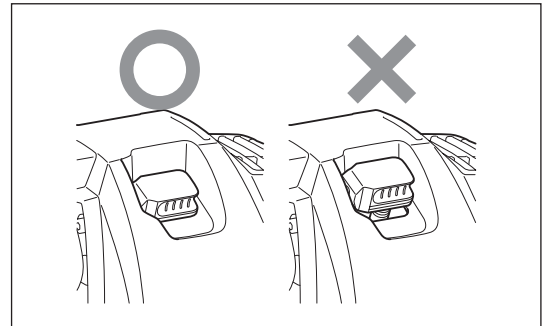
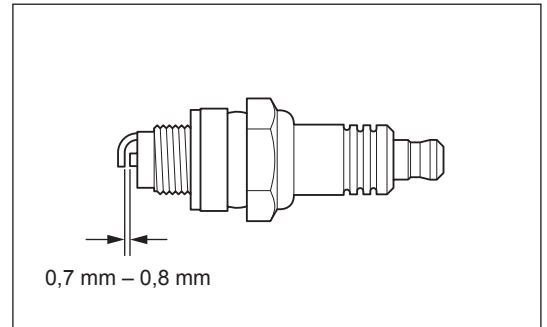


KONTROL AF TÆNDRØRET

- Anvend kun den medfølgende skiftenøgle til at afmontere og montere tændrøret med.
- Afstanden mellem tændrørets to elektroder bør være 0,7 – 0,8 mm. Hvis afstanden er for stor eller for lille, skal du justere den. Hvis tændrøret er sodet til eller beskidt, skal det renses grundigt eller skiftes ud med et nyt. Placer tændrørshætten som illustreret efter kontrol.

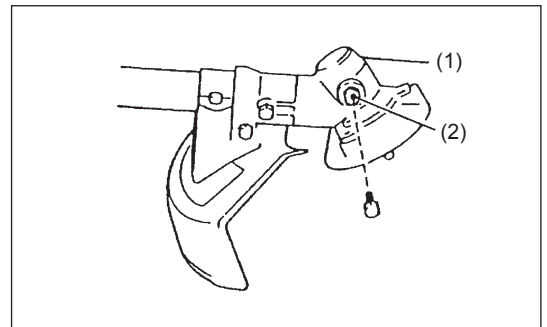
⚠ FORSIGTIG:

- Rør aldrig ved tændrørshætten, mens motoren kører (der er risiko for elektrisk stød med høj spænding).



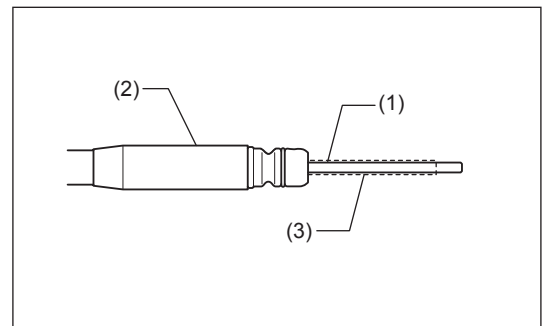
TILFØRSEL AF SMØREMIDDEL TIL GEARKASSEN

- Tilfør smøremiddel (Shell Alvania 2 eller tilsvarende) til gearkassen (1) gennem smørehullet (2) hver 25. time. (Ægte DOLMAR-smøremiddel kan anskaffes fra din DOLMAR-forhandler.)



TILFØRSEL AF SMØREMIDDEL TIL DET FLEKSIBLE SKAFT

1. Fjern det fleksible skaft fra koblingshuset og det lige skaft. For at fjerne det fleksible skaft fra koblingshuset, skal man trække håndtaget op og fjerne det. For at fjerne det fleksible skaft fra det lige skaft, skal man fjerne bolten og derefter fjerne det.
2. Træk det indvendige skaft (1) ud fra den fleksible indsats (2) og påfør smøremiddel (Shell Alvania 2 eller tilsvarende) (3) på det indvendige skaft hver 25. time. (Ægte DOLMAR-smøremiddel kan anskaffes fra din DOLMAR-forhandler.)



BEMÆRKNING:

- Det fleksible skaft kan brække, hvis der ikke er påført noget smøremiddel.
- Delenes levetid kan forlænges, hvis man geninstallerer hver ende på det fleksible skaft på den modsatte side, dvs. den tidligere motorside, på kontrolhåndtagssiden.

RENGØRING AF BRÆNDSTOFFILTER

ADVARSEL: BRÆNDBARE STOFFER ER STRENGT FORBUDT

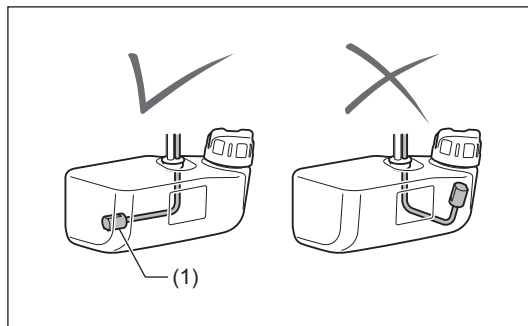
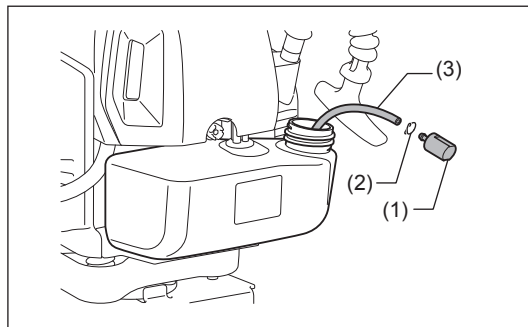
Interval for rengøring og eftersyn: Hver måned (hver 50. driftstime)

Sugehoved i brændstoftanken

Kontroller brændstoffilteret (1) med jævne mellemrum. For at kontrollere brændstoffilteret, skal nedenstående trin følges:

1. Fjern brændstoftankdækslet, lad brændstoffet løbe ud for at tømme tanken. Kontroller tanken indvendigt for fremmedlegemer. Fjern dem, hvis der er nogen.
2. Træk sugehovedet ud gennem tankåbningen vha. en trådkrog.
3. Hvis brændstoffilteret er en smule tilstoppet, skal det rengøres. For at rengøre det, skal man forsigtigt ryste det og banke på det i brændstof. For at undgå at beskadige det, må man ikke vride eller gnubbe det. Det brændstof, der bruges til rengøring, skal bortskaffes i henhold til den metode, der er specificeret i dit land.
Hvis brændstoffilteret er blevet hårdt eller ekstremt tilstoppet, skal det udskiftes.
4. Efter kontrol, rengøring eller udskiftning skal brændstoffilteret sættes ind i brændstofslangen (3) og det skal fastgøres med en slangeklemme (2). Tryk brændstoffilteret helt ind i bunden af brændstoftanken.

Et tilstoppet eller beskadiget brændstoffilter kan være årsag til utilstrækkelig brændstofforsyning og nedsat motorydelse. Skift brændstoffilteret ud mindst en gang i kvartalet for at sikre en tilfredsstillende forsyning af brændstof til karburatoren.



UDSKIFTNING AF BRÆNDSTOFSLANGE

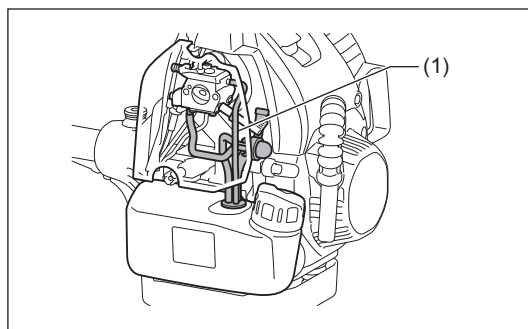
FORSIGTIG: BRÆNDBARE STOFFER ER STRENGT FORBUDT

Interval for rengøring og eftersyn: Dagligt (hver 10. driftstime)

Udskiftning: Årligt (hver 200. driftstime)

Udskift brændstofslangen (1) hvert år uanset antallet af driftstimer. Brændstoflækage kan føre til brand.

Hvis der opdages utætheder under inspektion, skal brændstofslangen straks udskiftes.



EFTERSYN AF BOLTE, MØTRIKKER OG SKRUE

- Efterspænd løse bolte, møtrikker osv.
- Kontroller, at brændstofdækslet og oliedækslet er strammet godt til. Kontroller, om der er brændstof- eller olielækage.
- Udskift beskadigede dele med nye for sikker betjening.

RENGØRING AF DELENE

- Sørg for altid at holde motoren ren ved at tørre den af med en klud.
- Hold cylinderribberne fri for støv og snavs. Støv og snavs, der har sat sig på ribberne, vil forårsage stempelstop.

UDSKIFTNING AF TÆTNINGER OG PAKNINGER

Udskift tætninger og pakninger hvis motoren skilles ad.

Alt vedligeholdelses- eller justeringsarbejde, der ikke er inkluderet og beskrevet i denne brugsanvisning, må kun udføres af autoriserede serviceagenter.

OPBEVARING

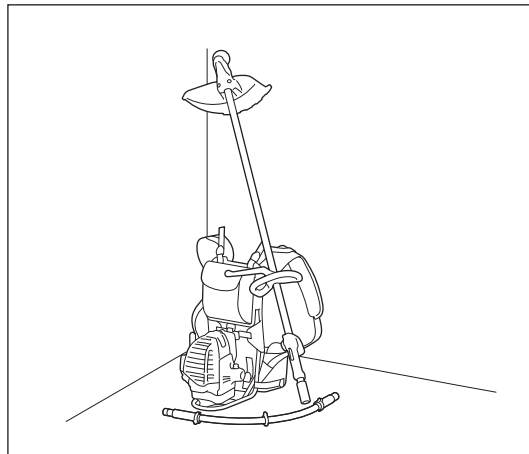


ADVARSEL: Motoren er stadig varm lige efter standsning motoren. Giv motoren tilstrækkelig tid til at køle af efter den er standset, når du tømmer brændstoffet af. Ellers kan det medføre hudforbrændinger og/eller brand.



FARE: Når maskinen ikke skal anvendes i længere tid, skal du tømme al brændstoffet ud af tanken og karburatoren, og opbevare den på et tørt og rent sted.

- Tøm brændstoftanken og karburatoren for brændstof i henhold til den følgende procedure:
 - 1) Tag brændstoftankdækslet af, og tøm al brændstof ud.
Hvis der er fremmedlegemer/snavs tilbage i brændstoftanken, skal det fjernes fuldstændigt.
 - 2) Træk brændstoffilteret ud gennem påfyldningsåbningen med en metaltråd.
 - 3) Tryk på tipperen, indtil brændstoffet er tømt ud fra den, og udtøm derefter det brændstof, der kom ind i brændstoftanken.
 - 4) Placer derefter igen filteret i brændstoftanken, og stram brændstoftankdækslet godt til.
 - 5) Lad derefter motoren køre, indtil den stopper.
- Fjern tændrøret og dryp adskillige dråber motorolie ned gennem tændrørshullet.
- Træk forsigtigt i starthåndtaget så motorolien spredes ud i motoren, og sæt tændrøret på.
- Monter afskærmningen til metalklingen.
- Maskinen bør generelt opbevares som vist på illustrationen. Vær helt opmærksom på opbevaringen af maskinen for at forhindre det lige skaft i at falde ned. Ellers kan det muligvis medføre personskader.
- Opbevar det udtømte brændstof i særlig beholder på et sted i skygge med god ventilation.



Bemærk efter lang tids opbevaring

- Inden start efter lang tids opbevaring skal du sørge for at udskifte olien (se S. 219). Olie nedbrydes, når maskinen ikke bruges.

Driftstid Del		Inden brug	Efter påfyldning	Dagligt (10 t)	25 t	50 t	200 t	Inden opbevaring	Se side
Motorolie	Efterse	○							210
	Udskift					○*1			219
Fastgørende dele (bolte, møtrikker)	Efterse	○							222
Brændstoftank	Rengør/efterse	○							—
	Tøm for brændstof							○*3	223
Gashåndtag	Kontroller funktion		○						—
Stop-kontakt	Kontroller funktion		○						219
Skæreværktøj	Efterse	○		○					209
Tomgangshastighed	Efterse/juster			○					216
Luftfilter	Rengør			○					220
Tændrør	Efterse			○					221
Luftafkølingskanal og cylinderribber	Rengør/efterse			○					222
Brændstofslange	Efterse			○					222
	Udskift						◎*2		222
Gearkasseolie	Påfyld				○				221
Fleksibelt skaft	Smøring/ændring af installationsretning				○				221
Brændstoffilter	Rengør/udskift					○			222
Ventilafstand (indsugningsventil og udstødningsventil)	Efterse/juster						◎*2		—
Karburator	Tøm for brændstof							○*3	223

*1 Udfør første udskiftning efter 20 timers brug.

*2 For 200 timers-eftersynet skal du henvende dig til en autoriseret serviceagent eller en maskinforretning.

*3 Efter tømning af brændstoftanken skal du fortsætte med at køre motoren og tømme karburatoren for brændstof.

FEJLFINDING

Kontroller først selv, om der er fejl, inden du beder om reparation. Hvis du finder noget unormalt, skal du kontrollere maskinen i henhold til beskrivelsen i denne brugsanvisning. Undlad at pille ved eller afmontere dele i strid med beskrivelsen. Kontakt en autoriseret serviceagent eller en lokal forhandler angående reparationer.

Problem	Sandsynlig årsag (funktionsfejl)	Afhjælpning
Motoren starter ikke.	I-O knappen er sat til STOP.	Sæt I-O knappen til DRIFT.
	Tipperen fungerer ikke.	Tryk 7 til 10 gange.
	Langsom træk hastighed ved træk i startsnoren.	Træk kraftigt.
	Mangel på brændstof.	Påfyld brændstof.
	Tilstoppet brændstoffilter.	Rengør.
	Bøjet brændstofslange	Ret brændstofslangen ud.
	Forringet brændstof.	Starten bliver sværere, hvis olien er gammel. Udskift med nyt brændstof. (Anbefalet udskiftning: 1 måned)
	Ekstrem sugning af brændstof.	Indstil gashåndtaget fra mellemhastighed til høj hastighed, og træk i starthåndtaget, indtil motoren starter. Så snart motoren starter, begynder skæreværktøjet at rotere. Vær helt opmærksom på skæreværktøjet. Hvis motoren ikke vil starte, skal du fjerne tændingsrøret, tørre elektroden og samle dem som de var. Start derefter som anvist.
	Aftaget tændrørshætte.	Sæt den ordentligt på.
	Snavset tændrør.	Rengør.
	Unormal tændrørsafstand.	Juster afstanden.
	Andre problemer med tændrøret.	Skift ud.
	Unormal karburator.	Anmod om eftersyn og vedligeholdelse.
	Startsnor kan ikke trækkes ud.	Anmod om eftersyn og vedligeholdelse.
Unormalt drivsystem.	Anmod om eftersyn og vedligeholdelse.	
Motoren stopper hurtigt. Motorhastigheden øges ikke.	Utilstrækkelig opvarmning.	Foretag opvarmning.
	Chokerarmen er sat til "LUK", selv om motoren er varmet op.	Sæt til "ÅBEN".
	Tilstoppet brændstoffilter.	Rengør.
	Snavset eller tilstoppet luftfilter.	Rengør.
	Unormal karburator.	Anmod om eftersyn og vedligeholdelse.
	Unormalt drivsystem.	Anmod om eftersyn og vedligeholdelse.
Metalklingen roterer ikke. ↓ Stop straks motoren.	Fastgørelsesmøtrikken til metalklingen har løsnet sig.	Stram godt til.
	Der er fanget kviste i metalklingen eller skærmen til forhindring af spredning.	Fjern fremmedlegemet.
	Unormalt drivsystem.	Anmod om eftersyn og vedligeholdelse.
Hovedenheden vibrerer unormalt. ↓ Stop straks motoren.	Metalklingen er brækket, bøjet eller nedslidt.	Skift metalklingen ud.
	Fastgørelsesmøtrikken til metalklingen har løsnet sig.	Stram godt til.
	Konveks del af metalklinge og metalklingebeslag flyttet.	Sæt den ordentligt på.
	Unormalt drivsystem.	Anmod om eftersyn og vedligeholdelse.
Metalklingen stopper ikke med det samme. ↓ Stop straks motoren.	Høj tomgangsrotation.	Juster.
	Gashåndtagsledning er ikke tilsluttet.	Sæt den ordentligt på.
	Unormalt drivsystem.	Anmod om eftersyn og vedligeholdelse.
Motoren stopper ikke. ↓ Kør motoren i tomgang, og sæt chokerarmen til "LUK".	Løsrevet kontakt.	Sæt den ordentligt på.
	Unormalt el-system.	Anmod om eftersyn og vedligeholdelse.

Σας ευχαριστούμε πολύ που αγοράσατε αυτή τη μηχανοκίνητη συσκευή εξωτερικού χώρου της DOLMAR. Βρισκόμαστε στην ευχάριστη θέση να σας συστήσουμε αυτό το προϊόν της DOLMAR, το οποίο είναι το αποτέλεσμα ενός μακρού προγράμματος ανάπτυξης και πολλών χρόνων γνώσεων και εμπειρίας. Παρακαλώ διαβάστε αυτό το φυλλάδιο το οποίο αναφέρεται λεπτομερώς στα διάφορα σημεία που θα επιδείξουν την εξαιρετική του απόδοση. Αυτό θα σας βοηθήσει να αποκτήσετε τα καλύτερα δυνατά αποτελέσματα από αυτό το προϊόν της DOLMAR.



Πίνακας περιεχομένων

Σελίδα

Σύμβολα	226
Οδηγίες ασφάλειας	227
Τεχνικά δεδομένα	231
Καθορισμός εξαρτημάτων	232
Στερέωση του χερουλιού	233
Στερέωση του εύκαμπτου άξονα	234
Στερέωση του προστατευτικού	235
Στερέωση της μεταλλικής λάμας ή της νάιλον κοπτικής κεφαλής	237
Πριν από την έναρξη της λειτουργίας	238
Σωστός χειρισμός του μηχανήματος	240
Τρόπος εκκίνησης και σταματήματος του κινητήρα	242
Ακόνισμα του εργαλείου κοπής	245
Οδηγίες σέρβις	247
Αποθήκευση	251
Επίλυση προβλημάτων	253

ΣΥΜΒΟΛΑ

Χρειάζεται να προσέξετε τα παρακάτω σύμβολα όταν διαβάζετε το εγχειρίδιο οδηγιών.

	Διαβάστε το εγχειρίδιο οδηγιών και ακολουθήστε τις προειδοποιήσεις και τα μέτρα ασφαλείας!		Κρατήστε μακριά από την περιοχή εργασίας όλα τα άτομα και τα ζώα!
	Δώστε ιδιαίτερη φροντίδα και προσοχή!		Φοράτε κράνος και προστατευτικά για τα μάτια και τα αφτιά!
	Απαγορεύεται!		Ανώτερη επιτρεπτή ταχύτητα του εργαλείου
	Διατηρήστε μια απόσταση!		Καύσιμο (Βενζίνη)
	Κίνδυνος εκτίναξης αντικειμένων!		Κινητήρας-χειροκίνητη εκκίνηση
	Οπισθολάκτισμα!		Διακοπή έκτακτης ανάγκης
	Απαγορεύεται το κάπνισμα!		Πρώτες βοήθειες
	Όχι γυμνές φλόγες!		ΕΝΕΡΓΟΠΟΙΗΣΗ/ΕΚΚΙΝΗΣΗ
	Πρέπει να φοράτε προστατευτικά γάντια!		ΑΠΕΝΕΡΓΟΠΟΙΗΣΗ/ΣΤΑΜΑΤΗΜΑ
	Να φοράτε ανθεκτικές μπότες με αντιολισθητικές σόλες. Συνίστανται μπότες ασφαλείας με ενίσχυση στα άκρα των δακτύλων!		

Γενικές οδηγίες

- Διαβάστε αυτό το εγχειρίδιο οδηγιών για να εξοικειωθείτε με τον χειρισμό της συσκευής. Οι χρήστες οι οποίοι δεν διαθέτουν επαρκή ενημέρωση θα θέσουν σε κίνδυνο τους εαυτούς τους και τους άλλους λόγω του ακατάλληλου χειρισμού.
- Συνιστάται να δανειζετε τη συσκευή μόνο στα άτομα που έχουν αποδεδειγμένη εμπειρία στο χειρισμό της.
Πάντοτε να παραδίδετε το εγχειρίδιο οδηγιών.
- Οι χρήστες που το χρησιμοποιούν για πρώτη φορά θα πρέπει να ρωτούν τον μεταπωλητή τους για τις βασικές οδηγίες έτσι ώστε να εξοικειωθούν με το χειρισμό των θαμνοκοπτικών.
- Στα παιδιά και στα νεαρά άτομα κάτω των 18 ετών δεν θα πρέπει να τους επιτρέπεται η χρήση της συσκευής. Τα άτομα με ηλικία πάνω από 16 ετών θα μπορούσαν να χρησιμοποιήσουν τη συσκευή για εκπαιδευτικούς σκοπούς, κάτω από την επίβλεψη ενός έμπειρου εκπαιδευτή.
- Χρησιμοποιήστε με τη μεγαλύτερη δυνατή φροντίδα και προσοχή.
- Χειριστείτε μόνο όταν βρίσκεστε σε καλή φυσική κατάσταση. Εκτελέστε όλες τις εργασίες με ηρεμία και προσοχή. Ο χρήστης θεωρείται υπεύθυνος για τους άλλους.
- Ποτέ να μην χρησιμοποιήσετε αυτή τη συσκευή μετά από την κατανάλωση αλκοόλ ή φαρμάκων, ή εάν αισθάνεστε κουρασμένοι ή είστε ασθενείς.
- Η εθνική νομοθεσία μπορεί να περιορίζει τη χρήση του μηχανήματος.

Προοριζόμενη χρήση του μηχανήματος

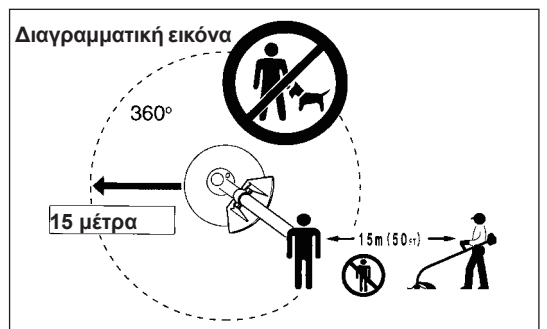
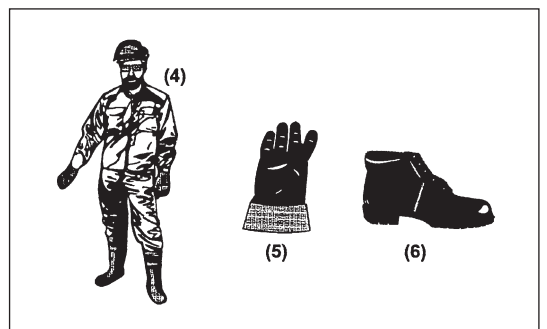
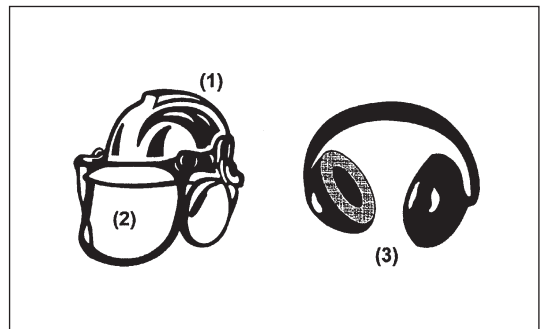
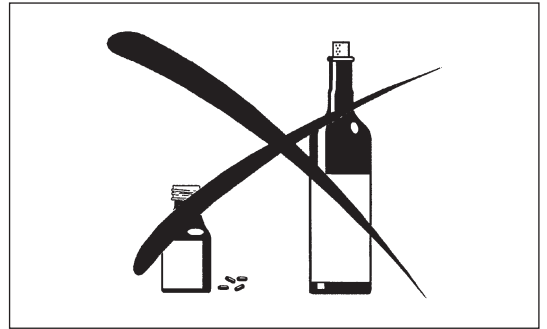
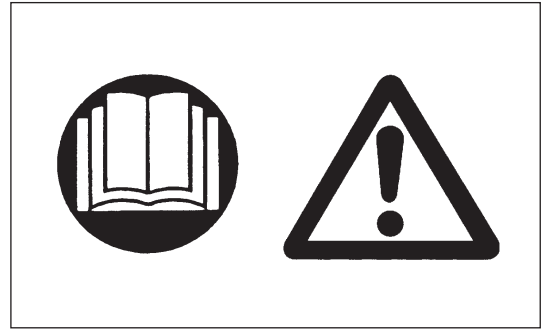
- Η συσκευή αυτή προορίζεται μόνο για την κοπή γρασιδιού, χόρτων, θάμνων και ελαφριάς βλάστησης. Δεν πρέπει να χρησιμοποιηθεί για άλλους σκοπούς όπως κοπή άκρων ή φρακτών επειδή μπορεί να προκαλέσει τραυματισμό.

Προσωπικός προστατευτικός εξοπλισμός

- Ο ρουχισμός που φοράτε θα πρέπει να είναι λειτουργικός και κατάλληλος, δηλαδή να είναι εφαρμοστός αλλά να μην σας παρεμποδίζει. Μην φοράτε κοσμήματα ή ρούχα τα οποία μπορούν να μπλεχτούν μέσα στους θάμνους ή στους βάλτους.
- Για την προστασία του τραυματισμού της κεφαλής, των ματιών ή των ποδιών καθώς επίσης και την προστασία της ακοής κατά τη λειτουργία, θα πρέπει να χρησιμοποιηθεί ο παρακάτω προστατευτικός εξοπλισμός και ο προστατευτικός ρουχισμός κατά τον χειρισμό της συσκευής.
- Πάντοτε να φοράτε κράνος όπου υπάρχει ο κίνδυνος της πτώσης αντικειμένων. Το κράνος (1) θα πρέπει να ελέγχεται για την ύπαρξη ζημιάς κατά τακτικά χρονικά διαστήματα και θα πρέπει να αντικατασταθεί τουλάχιστον μετά από 5 χρόνια. Χρησιμοποιείτε μόνο εγκεκριμένα προστατευτικά κράνη.
- Η προσωπίδα (2) του κράνου (ή εναλλακτικά προστατευτικά γυαλιά) προστατεύει το πρόσωπο από τα θραύσματα και τις πέτρες που ίπτανται. Κατά τον χειρισμό, πάντοτε να φοράτε προστατευτικά γυαλιά ή προσωπίδα για την αποφυγή του τραυματισμού των ματιών.
- Φοράτε τον απαραίτητο εξοπλισμό προστασίας έναντι στο θόρυβο για την αποφυγή πρόκλησης βλάβης στην ακοή (προστατευτικά επικαλύμματα αυτιών (3), ωτοασπίδες κτλ.).
- Η φόρμα εργασίας (4) προστατεύει από τις πέτρες και τα θραύσματα που ίπτανται.
Σας συστήνουμε ανεπιφύλακτα την χρήση της φόρμας εργασίας από το χρήστη.
- Τα γάντια (5) αποτελούν μέρος του συνιστώμενου εξοπλισμού και πρέπει πάντοτε να φοριούνται κατά το χειρισμό.
- Κατά τη χρήση της συσκευής, πάντοτε να φοράτε ανθεκτικά παπούτσια (6) με αντιολισθητικές σόλες. Αυτά προστατεύουν έναντι των τραυματισμών και διασφαλίζουν το καλό πάτημα.

Εκκίνηση του θαμνοκοπτικού

- Φροντίστε ώστε να μην υπάρχουν παιδιά ή άλλα άτομα μέσα σε μια απόσταση εργασίας 15 μέτρων, επίσης δώστε προσοχή στα οποιαδήποτε ζώα μέσα στην περιοχή εργασίας.
- Πριν από τη χρήση ελέγχετε πάντοτε ότι η συσκευή είναι ασφαλής για εργασία: Ελέγξτε την ασφάλεια του κοπτικού εργαλείου, το μοχλό του γκαζιού για την ευκολία δράσης και ελέγξτε την κατάλληλη λειτουργικότητα της ασφάλειας του μοχλού του γκαζιού.
- Το κοπτικό εργαλείο δεν πρέπει να περιστρέφεται στο ρελαντί. Εάν έχετε αμφιβολία απευθυνθείτε στον μεταπωλητή σας για τη ρύθμιση. Ελέγξτε τα χερούλια ώστε να είναι καθαρά και ξηρά και δοκιμάστε τη λειτουργία του διακόπτη εκκίνησης/σταματήματος.

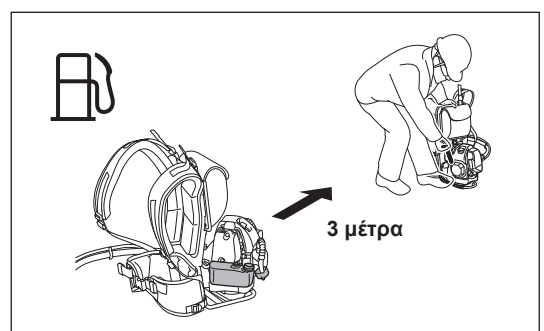
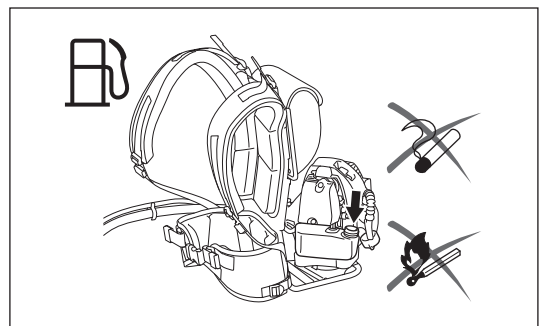
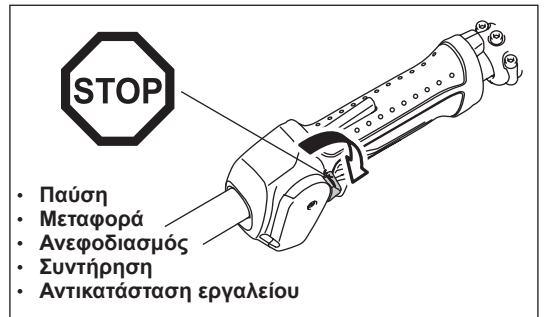
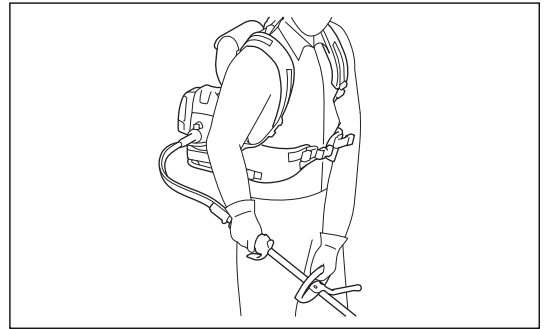
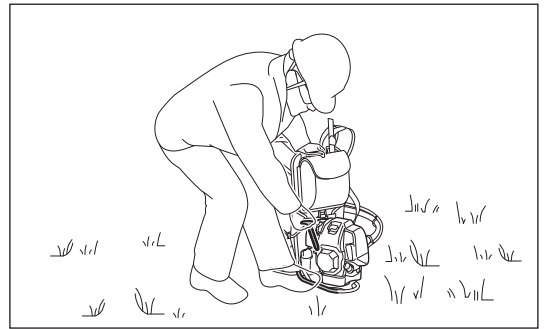


Ξεκινήστε το θαμνοκοπτικό μόνο σύμφωνα με τις οδηγίες.

- Μην χρησιμοποιήσετε οποιοσδήποτε άλλες μεθόδους για να ξεκινήσετε τον κινητήρα!
- Χρησιμοποιήστε το θαμνοκοπτικό και τα εργαλεία μόνο για τις καθορισμένες εφαρμογές.
- Ξεκινήστε τον κινητήρα μόνο αφότου ολοκληρωθεί πλήρως η συναρμολόγηση. Η λειτουργία της συσκευής επιτρέπεται μόνο αφότου συνδεθούν όλα τα κατάλληλα εξαρτήματα!
- Πριν το ξεκίνημα, βεβαιωθείτε ότι το κοπτικό εργαλείο δεν βρίσκεται σε επαφή με σκληρά αντικείμενα όπως κλαδιά, πέτρες κτλ επειδή το κοπτικό εργαλείο θα περιστραφεί κατά την εκκίνηση.
- Ο κινητήρας σβήνει αμέσως στην περίπτωση που συμβούν μηχανικά προβλήματα.
- Εάν το κοπτικό εργαλείο χτυπήσει πέτρες ή άλλα σκληρά αντικείμενα, αμέσως κλείστε τον κινητήρα και επιθεωρήστε το κοπτικό εργαλείο.
- Επιθεωρείτε το κοπτικό εργαλείο για ζημιά ανά τακτά και σύντομα διαστήματα (διάγνωση λεπτών ρωγμών χρησιμοποιώντας το τεστ ήχου που παράγεται από την κρούση).
- Εάν η συσκευή χτυπήσει δυνατά κατά την πτώση, ελέγξτε την κατάσταση πριν συνεχίσετε την εργασία. Ελέγξτε το σύστημα καυσίμου για ύπαρξη διαρροής καυσίμου αλλά και τα χειριστήρια και τις διατάξεις ασφαλείας για ύπαρξη δυσλειτουργίας. Εάν υπάρχει οποιαδήποτε ζημιά ή αν έχετε αμφιβολίες, επικοινωνήστε με το δικό μας εξουσιοδοτημένο κέντρο εξυπηρέτησης για επιθεώρηση και επισκευή.
- Να χειρίζεστε τη συσκευή μόνο έχοντας συνδεδεμένο τον ιμάντα ώμου, ο οποίος θα πρέπει να προσαρμόζεται κατάλληλα πριν θέσετε σε λειτουργία το θαμνοκοπτικό. Είναι σημαντικό να προσαρμόζετε τον ιμάντα ανάλογα με το σωματικό μέγεθος του χρήστη για να μην είναι κουραστική η χρήση. Ποτέ να μην κρατάτε τον κόφτη με το ένα χέρι κατά την χρήση.
- Κατά την χρήση, πάντοτε να κρατάτε το θαμνοκοπτικό με τα δυο σας χέρια. Πάντοτε να έχετε ένα ασφαλές πάτημα.
- Να χειρίζεστε τη συσκευή με τέτοιο τρόπο ώστε να αποφεύγετε την εισπνοή των καυσαερίων. Ποτέ να μην λειτουργήσετε τον κινητήρα σε κλειστά δωμάτια (υπάρχει κίνδυνος δηλητηρίασης από αέρια). Το μονοξείδιο του άνθρακα είναι ένα άοσμο αέριο.
- Σβήνετε τον κινητήρα όταν σταματάτε κατά την ανάπαυση και όταν παραμένει η συσκευή χωρίς επίβλεψη και τοποθετήστε τη σε ένα ασφαλές χώρο για την αποφυγή πρόκλησης κινδύνου σε άλλους ή ζημιές στο μηχανήμα.
- Ποτέ να μην τοποθετείτε το θαμνοκοπτικό όταν είναι ζεστό πάνω σε ξερά χόρτα ή πάνω σε άλλα εύφλεκτα υλικά.
- Να εγκαθιστάτε πάντα το εγκεκριμένο προφυλακτήρα του κοπτικού εργαλείου στον εξοπλισμό πριν από την εκκίνηση του κινητήρα. Διαφορετικά, η επαφή με το κοπτικό εργαλείο μπορεί να προκαλέσει σοβαρό τραυματισμό.
- Κατά τη λειτουργία θα πρέπει να χρησιμοποιηθούν όλα τα παρεχόμενα με το μηχανήμα προστατευτικά συγκροτήματα και προφυλακτήρες.
- Ποτέ να μην χειρίζεστε τον κινητήρα με ένα σιγαστήρα της εξάτμισης που έχει πάθει ζημιά.
- Κλείστε τον κινητήρα κατά τη μεταφορά.
- Κατά την μεταφορά της συσκευής, πάντοτε να τοποθετείτε το κάλυμμα στη μεταλλική λάμα.
- Διασφαλίστε την ασφαλή τοποθέτηση της συσκευής κατά την μεταφορά με αυτοκίνητο για την αποφυγή της διαρροής καυσίμου.
- Κατά τη μεταφορά, διασφαλίστε ότι το ρεζερβουάρ καυσίμου είναι εντελώς άδειο.
- Κατά την εκφόρτωση της συσκευής από την καρότσα, ποτέ να μην ρίξετε κάτω τον κινητήρα στο έδαφος επειδή αν το κάνετε αυτό μπορεί να προκληθεί σοβαρή βλάβη στο ρεζερβουάρ καυσίμου.
- Εκτός από την περίπτωση της έκτακτης ανάγκης, ποτέ να μην ρίξετε ή να πετάξετε τη συσκευή στο έδαφος επειδή αν το κάνετε αυτό μπορεί να προκληθεί σοβαρή ζημιά στη συσκευή.

Ανεφοδιασμός

- Κατά τον ανεφοδιασμό καυσίμου, σβήστε τον κινητήρα, να είστε μακριά από τις γυμνές φλόγες και να μην καπνίζετε.
- Αποφύγετε την επαφή του δέρματος με προϊόντα ορυκτελαίων. Μην εισπνέετε τον ατμό του καυσίμου. Πάντοτε να φοράτε προστατευτικά γάντια κατά τον ανεφοδιασμό καυσίμου. Αλλάζετε και καθαρίζετε τον προστατευτικό ρουχισμό σε τακτικά διαστήματα.
- Δώστε προσοχή ώστε να μην ρίξετε κάτω καύσιμο ή λάδια για την αποφυγή της ρύπανσης του εδάφους (προστασία του περιβάλλοντος). Καθαρίστε το θαμνοκοπτικό αμέσως αν πέσει πάνω του καύσιμο.
- Αποφύγετε την οποιαδήποτε επαφή του καυσίμου με τα ρούχα σας. Αλλάξτε το ρουχισμό σας αμέσως μετά την πτώση του καυσίμου επάνω του (για την αποφυγή της πρόκλησης φωτιάς στα ρούχα σας).
- Επιθεωρήστε την τάπα του καυσίμου ανά τακτά διαστήματα για να διασφαλίσετε ότι μπορεί να στερεωθεί σταθερά και ότι δεν παρουσιάζει διαρροή.
- Προσεκτικά σφίξτε την τάπα ρεζερβουάρ καυσίμου. Αλλάξτε θέση για την εκκίνηση του κινητήρα (τουλάχιστον 3 μέτρα μακριά από τον χώρο του ανεφοδιασμού).
- Ποτέ να μην ανεφοδιάζετε σε κλειστά δωμάτια. Οι ατμοί καυσίμου συσσωρεύονται στο επίπεδο του εδάφους (κίνδυνος εκρήξεων).
- Να μεταφέρετε και να αποθηκεύετε το καύσιμο σε κατάλληλα δοχεία. Φροντίστε ώστε το αποθηκευμένο καύσιμο να μην είναι προσβάσιμο στα παιδιά.
- Πάντα να πραγματοποιείτε τον ανεφοδιασμό σε σταθερή επίπεδη επιφάνεια για την αποφυγή της έκχυσης καυσίμου.



Μέθοδος Λειτουργίας

- Χρησιμοποιήστε μόνο κάτω από καλό φωτισμό και ορατότητα. Κατά τη διάρκεια της εποχής του χειμώνα δώστε προσοχή στις περιοχές που είναι υγρές και γλιστρούν, στον πάγο και στο χιόνι (κίνδυνος ολισθηρότητας). Πάντοτε να έχετε ένα ασφαλές πάτημα.
- Ποτέ μην κόβετε επάνω από το ύψος της μέσης σας.
- Ποτέ να μην στέκεστε πάνω σε μια σκάλα.
- Ποτέ να μην σκαρφάζετε σε δέντρα για να εκτελέσετε εργασίες κοπής.
- Ποτέ να μην εργάζεστε πάνω σε ασταθείς επιφάνειες.
- Αφαιρέστε την άμμο, τις πέτρες, τα καρφιά κτλ που βρίσκονται μέσα στο εύρος της περιοχής εργασίας.
Τα ξένα στοιχεία μπορεί να προκαλέσουν ζημιά στο κοπτικό εργαλείο και να δημιουργήσουν επικίνδυνα οπισθολακτίσματα.
- Πριν το ξεκίνημα της κοπής, το κοπτικό εργαλείο θα πρέπει να έχει αποκτήσει την πλήρη ταχύτητα λειτουργίας.
- Κατά τη χρήση μεταλλικών λαμών, κινήστε το εργαλείο σταθερά σε ημικύκλιο, από τα δεξιά προς τα αριστερά, σαν να χρησιμοποιείτε δρεπάνι.
Αν εμπλακεί γρασιδί ή κλαδιά μεταξύ του κοπτικού εργαλείου και του προφυλακτήρα, να σβήνετε τον κινητήρα πριν τον καθαρισμό. Διαφορετικά, η ακούσια περιστροφή των λαμών μπορεί να προκαλέσει σοβαρό τραυματισμό.
- Κάντε ένα διάλειμμα για να αποφύγετε την απώλεια του ελέγχου που προκαλείται από την κόπωση. Σας συνιστούμε να κάνετε 10 έως 20 λεπτά διάλειμμα κάθε ώρα.
- Κατά τη λειτουργία, μην αφήνετε το κοπτικό εργαλείο να αγγίζει το έδαφος. Διαφορετικά, το κοπτικό εργαλείο μπορεί να χτυπήσει ένα αντικείμενο και να προκληθεί προσωπικός τραυματισμός.
- Κατά τη λειτουργία, διατηρείτε τη μεταλλική λάμα παράλληλη με το έδαφος.

Κοπτικά εργαλεία

- Χρησιμοποιήστε ένα κατάλληλο κοπτικό εργαλείο για την εργασία που πρόκειται να κάνετε.
Οι νάλιον κοπτικές κεφαλές (κεφαλές χλοοκοπτικού μεσηνέζας) είναι κατάλληλες για κοπή γκαζόν.
Οι μεταλλικές λάμες είναι κατάλληλες για την κοπή χόρτων, υψηλού γρασιδιού, θάμνων, βάτων, χαμηλής βλάστησης, δασυλλίων και άλλων παρόμοιων.
Ποτέ να μην χρησιμοποιήσετε άλλες λάμες, συμπεριλαμβανομένων μεταλλικών περιστρεφόμενων αλυσίδων πολλαπλών κομματιών και αλωνιστικές λάμες. Διαφορετικά μπορεί να προκληθεί σοβαρός τραυματισμός.
- Κατά τη χρήση μεταλλικών λεπίδων, αποφύγετε το "κλώτσημα" και να είστε πάντοτε προετοιμασμένοι για ένα αναπάντεχο κλώτσημα. Δείτε την ενότητα "Κλώτσημα".

Κλώτσημα (κλώτσημα λάμας)

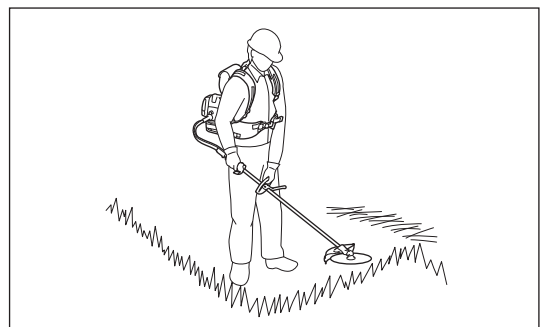
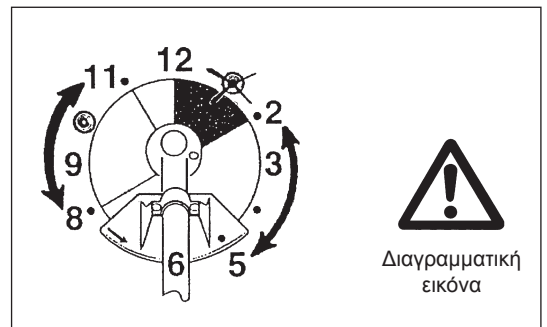
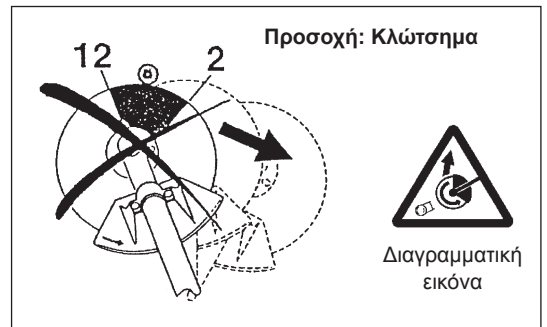
- Το κλώτσημα (κλώτσημα λάμας) είναι μια απότομη αντίδραση σε μια σφιγμένη ή κολλημένη μεταλλική λάμα. Μόλις συμβεί αυτό, η συσκευή ρίχνεται στα πλάγια ή προς τον χειριστή σε μεγάλη δύναμη και μπορεί να προκαλέσει σοβαρό τραυματισμό.
- Το οπισθολακτίσμα εμφανίζεται ιδιαίτερα κατά την χρήση του τμήματος της λάμας των 12 και 2 "ωρών" πάνω σε στερεά, θάμνους και δέντρα με διάμετρο 3 cm ή μεγαλύτερη.
- Για την αποφυγή κλωτσήματος:
 - Χρησιμοποιήστε το τμήμα μεταξύ των 8 και 11 "ωρών".
 - Ποτέ μην χρησιμοποιήσετε το τμήμα μεταξύ των 12 και 2 "ωρών".
 - Ποτέ μην χρησιμοποιείτε το τμήμα μεταξύ των 11 και 12 "ωρών" και το τμήμα μεταξύ των 2 και 5 "ωρών", εκτός και αν ο χειριστής είναι καλά εκπαιδευμένος και έμπειρος και το κάνει με δική του ευθύνη.
 - Ποτέ να μην χρησιμοποιήσετε μεταλλικές λάμες κοντά σε συμπαγή αντικείμενα όπως φράχτες, τοίχους, κορμούς δέντρων και πέτρες.
 - Ποτέ να μην χρησιμοποιείτε τις μεταλλικές λάμες κάθετα, για εργασίες όπως το κλάδεμα και την κοπή των άκρων των φρακτών.

Δόνηση

- Τα άτομα με κακό κυκλοφορικό σύστημα τα οποία εκτίθενται σε υπερβολικούς κραδασμούς μπορεί να παρουσιάσουν βλάβη στα αιμοφόρα αγγεία ή στο νευρικό σύστημα. Οι κραδασμοί ενδέχεται να προκαλέσουν τα ακόλουθα συμπτώματα στα δάχτυλα, τα χέρια ή τους καρπούς: "Κοίμηση" (μούδιασμα), μυρμηγκιασμα, πόνος, σουβλιές, αλλαγή χρώματος του δέρματος. Εάν έχετε οποιαδήποτε από αυτά τα συμπτώματα, επισκεφτείτε ένα γιατρό!
- Για να περιορίσετε τον κίνδυνο της "ασθένειας των άσπρων δακτύλων", διατηρείτε τα χέρια σας ζεστά κατά τη λειτουργία και διατηρείτε σε καλή κατάσταση τον εξοπλισμό και τα προσαρτήματα.

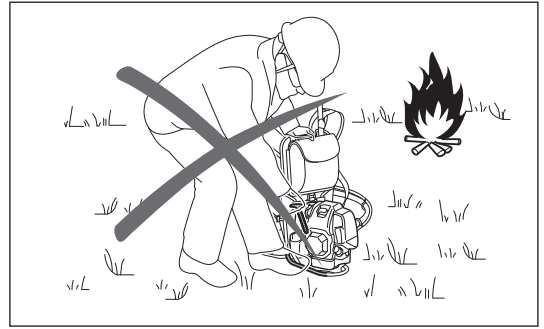
Οδηγίες συντήρησης

- Επισκευάζετε τη συσκευή σας στο δικό μας εξουσιοδοτημένο κέντρο σέρβις, χρησιμοποιώντας πάντοτε αυθεντικά ανταλλακτικά. Η λανθασμένη επισκευή και η φτωχή συντήρηση μπορεί να μειώσει τη διάρκεια της ωφέλιμης ζωής της συσκευής και να αυξήσει τον κίνδυνο ατυχημάτων.
- Η κατάσταση του κόφτη, ιδιαίτερα του κοπτικού εργαλείου, των προστατευτικών συσκευών και επίσης του ιμάντα θα πρέπει να ελέγχεται πριν από την έναρξη της εργασίας. Ιδιαίτερη προσοχή πρέπει επίσης να δίνεται στις μεταλλικές λάμες οι οποίες πρέπει να είναι σωστά ακονισμένες.
- Κλείστε τον κινητήρα και αφαιρέστε το σύνδεσμο του μπουζί κατά την αντικατάσταση ή το ακόνισμα των κοπτικών εργαλείων και επίσης κατά τον καθαρισμό του κόφτη ή του κοπτικού εργαλείου.



Ποτέ να μην ισιώνετε ή να συγκολλάτε κατεστραμμένα κοπτικά εργαλεία.

- Δώστε προσοχή στο περιβάλλον. Αποφύγετε την άσκοπη λειτουργία του γκαζιού για λιγότερη ρύπανση και εκπομπές θορύβου. Ρυθμίστε το καρμπυρατέρ σωστά.
- Καθαρίζετε τη συσκευή ανά τακτά διαστήματα και ελέγχετε ότι όλες οι βίδες και τα παξιμάδια είναι καλά σφιγμένα.
- Ποτέ να μην κάνετε τη συντήρηση ή την αποθήκευση της συσκευής κοντά σε γυμνές φλόγες.
- Πάντοτε να αποθηκεύετε τη συσκευή σε κλειδωμένα δωμάτια με άδαιο το ρεζερβουάρ καυσίμου.
- Κατά το καθάρισμα, τη συντήρηση και την αποθήκευση της συσκευής, πάντοτε να συνδέετε το κάλυμμα στη μεταλλική λάμα.



Τηρήστε τις σχετικές οδηγίες αποτροπής ατυχήματος που εκδίδονται από τις σχετικές εμπορικές ενώσεις και από τις ασφαλιστικές εταιρίες. Μην εκτελέσετε καμιά τροποποίηση στη συσκευή επειδή αυτό θα θέσει σε κίνδυνο την ασφάλειά σας.

Η εκτέλεση των εργασιών συντήρησης και επισκευής από το χρήστη περιορίζονται στις δραστηριότητες που περιγράφονται στο εγχειρίδιο οδηγιών. Όλες οι άλλες εργασίες πρέπει να γίνονται από ένα εξουσιοδοτημένο αντιπρόσωπο του σέρβις. Χρησιμοποιήστε μόνο τα αυθεντικά ανταλλακτικά και αξεσουάρ που διατίθενται και παρέχονται από τη DOLMAR.

Η χρήση μη εγκεκριμένων εξαρτημάτων και εργαλείων συνεπάγεται τον αυξημένο κίνδυνο ατυχημάτων.

Η DOLMAR δεν θα δεχθεί την οποιαδήποτε ευθύνη για ατυχήματα ή φθορά που προκλήθηκε από τη χρήση μη εγκεκριμένων κοπτικών εργαλείων και συσκευών στερέωσης των κοπτικών εργαλείων ή αξεσουάρ.

Πρώτες βοήθειες

Για την περίπτωση ατυχήματος, φροντίστε να υπάρχει διαθέσιμο ένα κουτί πρώτων βοηθειών στην περιοχή όπου εκτελούνται οι εργασίες κοπής. Αντικαταστήστε αμέσως το οποιοδήποτε αντικείμενο που πάρθηκε από το κουτί των πρώτων βοηθειών.

Όταν ζητάτε βοήθεια, παρακαλώ παράσχετε τις ακόλουθες πληροφορίες:

- Τόπος του ατυχήματος
- Τι συνέβη
- Αριθμός τραυματισμένων ατόμων
- Είδος των τραυμάτων
- Το όνομά σας



Για τις ευρωπαϊκές χώρες μόνο

ΕΚ Δήλωση συμμόρφωσης

Η Makita δηλώνει ότι το(α) ακόλουθο(α) μηχάνημα(τα):

Όνομασία μηχανήματος: Βενζινοκίνητο θαμνοκοπτικό πλάτης
Αρ. Μοντέλου/ Τύπος: MS-4300.4 R

Συμμορφώνονται με την ακόλουθη Ευρωπαϊκή Οδηγία:

2000/14/EK, 2006/42/EK

Και κατασκευάζονται σύμφωνα με τα παρακάτω πρότυπα ή τυποποιημένα έγγραφα:
EN ISO 11806-2

Ο τεχνικός φάκελος σύμφωνα με την οδηγία 2006/42/EK είναι διαθέσιμη από την:

Makita, Jan-Baptist Vinkstraat 2, 3070, Βέλγιο

Η διαδικασία εκτίμησης συμμόρφωσης που απαιτείται από την Οδηγία 2000/14/EK εκτελέστηκε σύμφωνα με το Παράρτημα V.
(Με νάιλον κοπτική κεφαλή)

Μετρημένο επίπεδο ηχητικής ισχύος: 110,6 dB

Εγγυημένο επίπεδο ηχητικής ισχύος: 111 dB

(Με κοπτική λάμα)

Μετρημένο επίπεδο ηχητικής ισχύος: 104,1 dB

Εγγυημένο επίπεδο ηχητικής ισχύος: 105 dB

1.9.2014

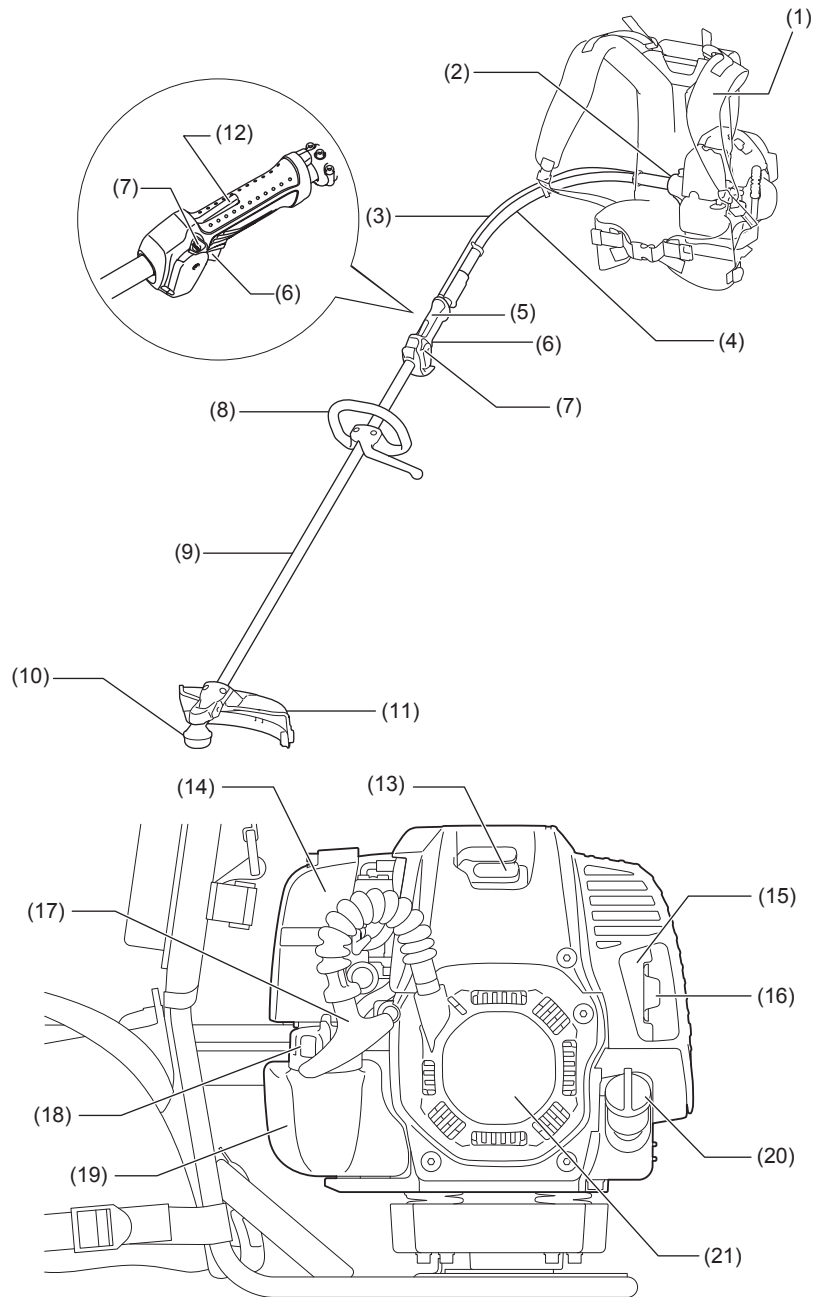
Yasushi Fukaya
Διευθυντής
Makita, Jan-Baptist Vinkstraat 2, 3070, Βέλγιο

ΤΕΧΝΙΚΑ ΔΕΔΟΜΕΝΑ

Μοντέλο		MS-4300.4 R			
Τύπος χερουιού		Χερούλι σχήματος βρόχου			
Διαστάσεις: μήκος x πλάτος x ύψος (χωρίς ευέλικτο / ευθύ μέρος άξονα)	χιλ	358 x 280 x 587			
Βάρος (χωρίς πλαστικό προφυλακτήρα και κοπτικό εργαλείο)	ΧΥΡ	12,0			
Όγκος (ρεζερβουάρ καυσίμου)	L	0,8			
Όγκος (ρεζερβουάρ λαδιού)	L	0,1			
Εκτόπισμα κινητήρα	cm ³	43,0			
Μέγιστη απόδοση κινητήρα	kW	1,5 στα 7.500 λεπ ⁻¹			
Ταχύτητα κινητήρα στη συνιστώμενη μέγιστη ταχύτητα του άξονα	λεπ ⁻¹	10.500			
Μέγιστη ταχύτητα του άξονα (αντίστοιχη)	λεπ ⁻¹	7.200			
Ταχύτητα ρελαντί	λεπ ⁻¹	3.000			
Ταχύτητα εμπλοκής συμπλέκτη	λεπ ⁻¹	4.000			
Καρμπυρατέρ		Τύπου διαφράγματος			
Μπουζί	τύπος	NGK CMR6A			
Διάκενο ηλεκτροδίων	χιλ	0,7 – 0,8			
		ΚΟΠΤΙΚΗ ΛΑΜΑ	ΝΑΪΛΟΝ ΚΕΦΑΛΗ ΚΟΠΗΣ		
Δόνηση σύμφωνα με το ISO 22867	Δεξιό χερούλι (Πίσω λαβή)	a _{hw eq}	m/s ²	2,7	2,4
		Αβεβαιότητα K	m/s ²	0,8	0,7
	Αριστερό χερούλι (Μπροστινή λαβή)	a _{hw eq}	m/s ²	3,2	3,4
		Αβεβαιότητα K	m/s ²	1,7	1,0
Στάθμη ηχητικής πίεσης αντιπροσωπευτική του ISO 22868	L _{PA eq}	dB (A)	83,5	92,5	
	Αβεβαιότητα K	dB (A)	1,1	1,7	
Στάθμη ηχητικής ισχύος αντιπροσωπευτική του ISO 22868	L _{WA eq}	dB (A)	104,1	110,6	
	Αβεβαιότητα K	dB (A)	1,1	0,7	
Καύσιμο		Βενζίνη αυτοκινήτου (βενζίνη)			
Λάδι κινητήρα		Λάδι SAE 10W-30 της κατηγορίας API, κλάση SF ή υψηλότερη (λάδι 4-χρονου κινητήρα)			
Κοπτικά εργαλεία (διάμετρος κοπτικής λάμας)	χιλ	440 (με νάιλον κοπτική κεφαλή), 255 (με λάμα 3 δοντιών), 257 (με λάμα 3 δοντιών), 305 (με λάμα 2 δοντιών)			
Σχέση μετάδοσης		13/19			

- Λόγω του συνεχόμενου προγράμματος που εφαρμόζουμε για έρευνα και ανάπτυξη, τα τεχνικά χαρακτηριστικά στο παρόν έντυπο υπόκεινται σε αλλαγή χωρίς προειδοποίηση.
- Τα τεχνικά χαρακτηριστικά μπορεί να διαφέρουν ανάλογα με τη χώρα.

ΚΑΘΟΡΙΣΜΟΣ ΕΞΑΡΤΗΜΑΤΩΝ



1. Ιμάντας ώμου	2. Θήκη συμπλέκτη	3. Καλώδιο χειρισμού	4. Εύκαμπτος άξονας
5. Πίσω λαβή	6. Μοχλός γκαζιού	7. Διακόπτης I-O (ενεργοποίηση/ απενεργοποίηση)	8. Χερούλι
9. Ίσιος άξονας	10. Κιβώτιο ταχυτήτων	11. Προστατευτικό (Προφυλακτήρας κοπτικού εργαλείου)	12. Μοχλός απασφάλισης
13. Μπουζί	14. Στοιχείο Φίλτρο αέρα	15. Σιγαστήρας εξάτμισης	16. Σωλήνας εξάτμισης
17. Κομβίο εκκινήτηρα	18. Τάπα ρεζερβουάρ καυσίμου	19. Ρεζερβουάρ καυσίμου	20. Τάπα λαδιού
21. Εκκινήτηρας ανατύλιξης			

ΣΤΕΡΕΩΣΗ ΤΟΥ ΧΕΡΟΥΛΙΟΥ

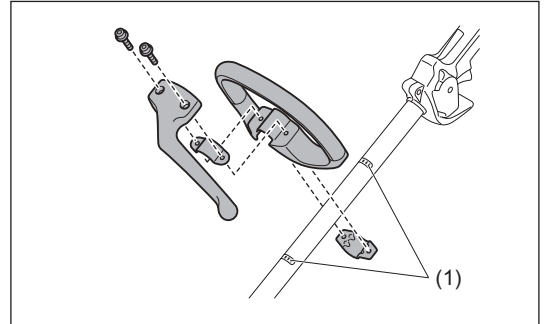
⚠ ΠΡΟΣΟΧΗ:

- Πριν κάνετε την οποιαδήποτε εργασία πάνω στη συσκευή, πάντοτε να σταματάτε τον κινητήρα και να αποσυνδέετε το σύνδεσμο του μπουζί από το μπουζί.
- Να φοράτε πάντα προστατευτικά γάντια!

⚠ ΠΡΟΣΟΧΗ:

- Να ξεκινάτε τον κινητήρα μόνο αφού τον έχετε συναρμολογήσει εντελώς.

- Στερεώστε το χερούλι σχήματος βρόγχου πάνω στον άξονα με δύο βίδες.
- Για να διατηρήσετε τη σωστή απόσταση μεταξύ των λαβών, τοποθετήστε το χερούλι μεταξύ των ενδείξεων βέλους (1) στον άξονα.



ΣΤΕΡΕΩΣΗ ΤΟΥ ΕΥΚΑΜΠΤΟΥ ΑΞΟΝΑ

Στερέωση του εύκαμπτου άξονα

1. Αφαιρέστε το μπουλόνι (1) από το άκρο του ίσιου άξονα (2).
2. Αφαιρέστε το καπάκι από τον εύκαμπτο άξονα.

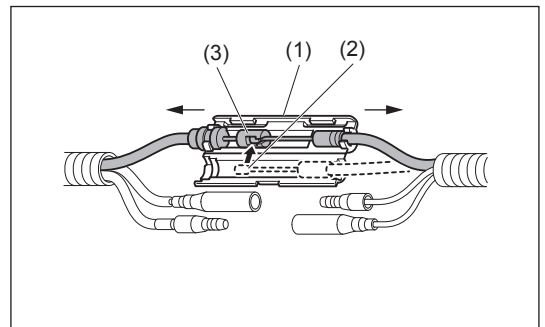
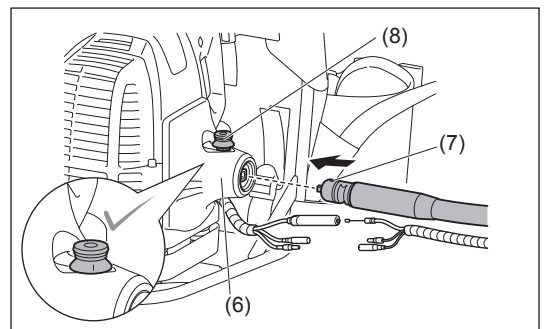
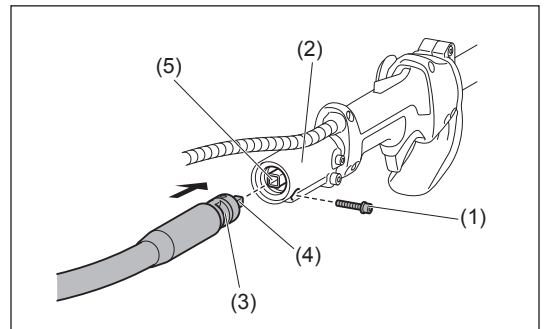
ΠΑΡΑΤΗΡΗΣΗ:

- Μην χάσετε το καπάκι. Πάντα να τοποθετείτε το καπάκι κατά την αφαίρεση του εύκαμπτου άξονα.
3. Γυρίστε τον εύκαμπτο άξονα ώστε το εγχαραγμένο μέρος (3) του εύκαμπτου άξονα να είναι στραμμένο προς τα κάτω.
 4. Ευθυγραμμίστε το τετράγωνο εσωτερικό άξονα (4) με την οπή άρθρωσης (5). Εισαγάγετε το άκρο του εύκαμπτου άξονα στο στήριγμα σωλήνα μέχρι τέρμα.
 5. Σφίξτε τα με το μπουλόνι (1).

ΕΙΔΟΠΟΙΗΣΗ:

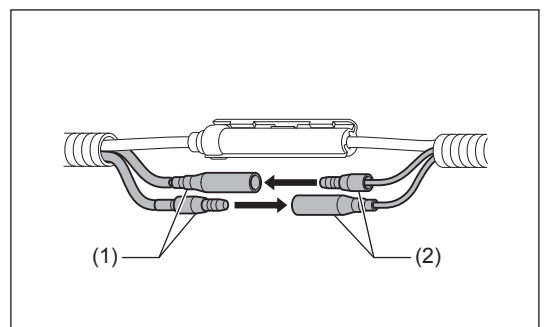
- Εάν είναι δύσκολο, για να εισαγάγετε τον εύκαμπτο άξονα, ευθυγραμμίστε ξανά τον τετράγωνο εσωτερικό άξονα (4).
 - Μην τραβήξετε τον εσωτερικό άξονα περισσότερο από 35 χιλ.
6. Ευθυγραμμίστε την οπή (7) στο άλλο άκρο του εύκαμπτου άξονα με το κουμπί (8) της θήκης συμπλέκτη (6) και εισαγάγετε τον εύκαμπτο άξονα στη θήκη συμπλέκτη.
 7. Βεβαιωθείτε ότι το κουμπί ασφαλίζει καθώς αυτό προσαρμόζεται στην οπή του εύκαμπτου άξονα.

Για να αφαιρέσετε τον εύκαμπτο άξονα από τη θήκη συμπλέκτη, τραβήξτε το κουμπί και αφαιρέστε τον.



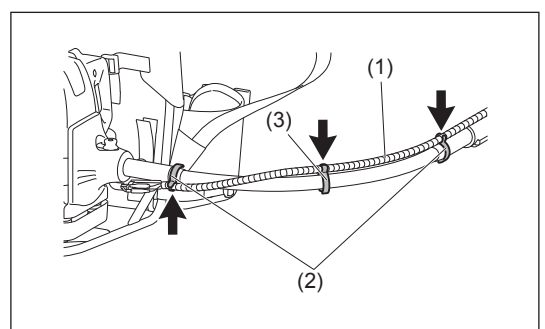
Σύνδεση του καλωδίου χειρισμού

1. Προσαρμόστε το άκρο του καλωδίου χειρισμού από το μοχλό χειρισμού (2) στο άκρο του καλωδίου χειρισμού από τον κινητήρα (3).
2. Τοποθετήστε το καλώδιο χειρισμού από το μοχλό χειρισμού στο συνδετήρα (1). Στη συνέχεια, κλείστε τον συνδετήρα.
3. Βεβαιωθείτε ότι το γκάτζι στο καρμπυρατέρ μετακινείται ταυτόχρονα όταν έλκεται ο μοχλός γκαζιού.



Σύνδεση της μονάδας αγωγών

Συνδέστε τις μονάδες αγωγών από τον κινητήρα (1) με τις μονάδες αγωγών από το μοχλό χειρισμού (2) καθώς συνδέεται κάθε αρσενικός και θηλυκός ακροδέκτης.



Ασφάλιση του καλωδίου χειρισμού

Ασφαλίστε το καλώδιο χειρισμού (1) στον εύκαμπτο άξονα χρησιμοποιώντας δύο σφιγκτήρες (2) και έναν άλλον σφιγκτήρα (3) όπως απεικονίζεται.

⚠ ΠΡΟΣΟΧΗ:

- Βεβαιωθείτε ότι το καλώδιο χειρισμού είναι συνδεδεμένο σωστά με τον εύκαμπτο άξονα. Το ελεύθερο καλώδιο μπορεί να πιαστεί στα κλαδιά, κτλ. και να προκληθεί προσωπικός τραυματισμός.
- Μην περιελίσετε το καλώδιο χειρισμού γύρω από τον εύκαμπτο άξονα. Διαφορετικά, το γκάτζι μπορεί να μη λειτουργεί σωστά.

ΣΤΕΡΕΩΣΗ ΤΟΥ ΠΡΟΦΥΛΑΚΤΗΡΑ

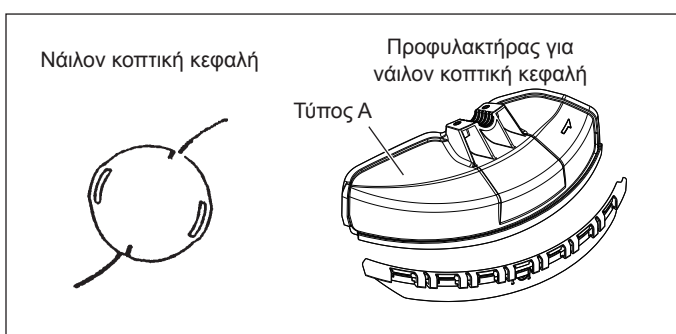
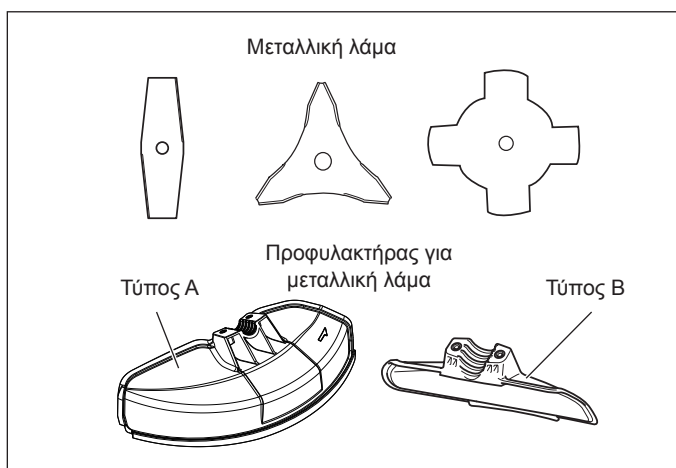
Για εναρμόνιση με τις διατάξεις ασφαλείας, πρέπει να χρησιμοποιηθούν μόνο οι συνδυασμοί εργαλείου/προφυλακτήρα που αναφέρονται στον πίνακα.

⚠ ΠΡΟΣΟΧΗ:

- Ο κατάλληλος προφυλακτήρας πρέπει πάντοτε να εγκαθίσταται, για την δική σας ασφάλεια και για την συμμόρφωση με τους κανονισμούς πρόληψης ατυχήματος. Δεν επιτρέπεται η χρήση της συσκευής χωρίς την τοποθέτηση του προφυλακτήρα. Μην κάνετε χρήση άλλου συνδυασμού όταν χρησιμοποιείτε τον πριονόδισκο.

ΠΑΡΑΤΗΡΗΣΗ:

- Ο πρότυπος συνδυασμός κοπτικών εργαλείων διαφέρει από επαρχία σε επαρχία.



Για μεταλλικές λάμες

⚠ ΠΡΟΣΟΧΗ:

- Βεβαιωθείτε ότι τα μπουλόνια σύσφιξης προφυλακτήρα έχουν σφιχτεί ομοιόμορφα ώστε το διάκενο μεταξύ του σφικτήρα και του προφυλακτήρα να είναι σταθερό. Διαφορετικά, ο προφυλακτήρας μερικές φορές μπορεί να μην λειτουργήσει με τον καθορισμένο τρόπο.

(Για προφυλακτήρα τύπου Α)

Στερεώστε τον προφυλακτήρα (3) στο σφικτήρα (2) με δυο μπουλόνια M6x30 (1).

(Για προφυλακτήρα τύπου Β)

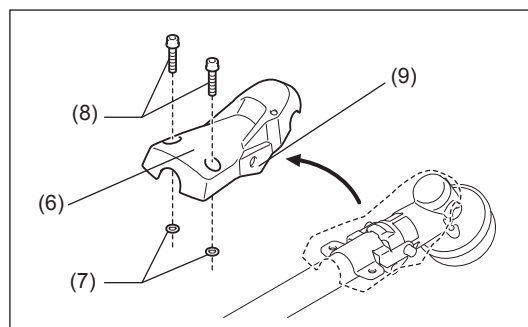
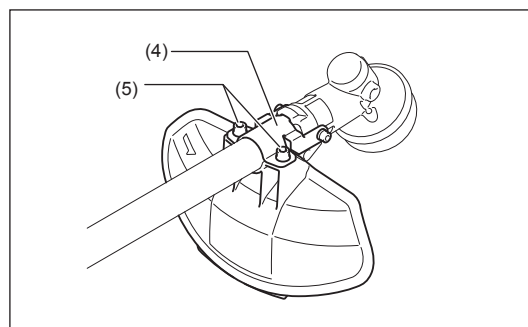
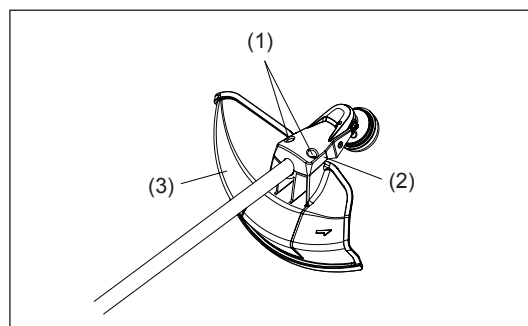
Στερεώστε τον προφυλακτήρα στο σφικτήρα (4) με δυο μπουλόνια M6x18 (5).

Αν το κάλυμμα προφυλακτήρα (6) είναι εγκατεστημένο στον άξονα, αφαιρέστε το πρώτα όπως περιγράφεται στη συνέχεια.

1. Αφαιρέστε τις ροδέλες (7), τα μπουλόνια M6x30 (8) από το κάλυμμα προφυλακτήρα.
2. Αφαιρέστε το κάλυμμα προφυλακτήρα απλώνοντας λίγο το πτερύγιο (9).

ΠΑΡΑΤΗΡΗΣΗ:

- Όταν αλλάζετε τον προφυλακτήρα από Τύπου Β σε Τύπου Α, τοποθετήστε το κάλυμμα προφυλακτήρα, τα μπουλόνια M6x30 και τις ροδέλες στον άξονα πριν εγκαταστήσετε τον προφυλακτήρα.

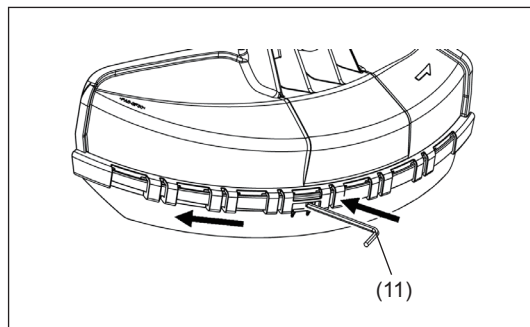
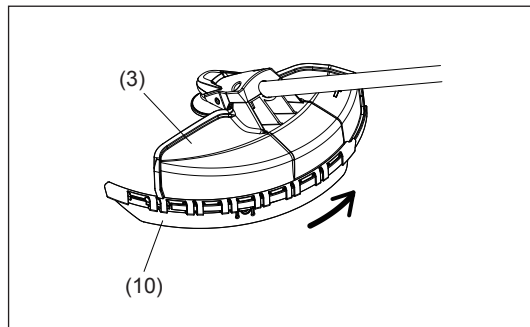


Για νάιλον κοπτική κεφαλή

- Φροντίστε να στερεώσετε τον προφυλακτήρα της νάιλον κοπτικής κεφαλής (10) πάνω στον προφυλακτήρα της μεταλλικής λάμας τύπου A (3), συναρμολογημένης με τον προφυλακτήρα της νάιλον κοπτικής κεφαλής.
- Στερεώστε τον προφυλακτήρα του της νάιλον κοπτικής κεφαλής (10) σπρώχνοντάς τον στη θέση του από την πλευρά του προφυλακτήρα της μεταλλικής λάμας (3).
- Αφαιρέστε την ταινία που είναι κολλημένη στον κόφτη, η οποία κόβει τη νάιλον μεσινέζα, από τον προφυλακτήρα της νάιλον κοπτικής κεφαλής (10).

⚠ ΠΡΟΣΟΧΗ:

- Βεβαιωθείτε να σπρώξετε προς τα μέσα τον προφυλακτήρα της νάιλον κοπτικής κεφαλής (10) έως ότου εισχωρήσει πλήρως. Φροντίστε να μην τραυματιστείτε πάνω στον κόφτη κόβοντας τη νάιλον μεσινέζα.
- Για να αφαιρέσετε τον προφυλακτήρα της νάιλον κοπτικής κεφαλής (10), τοποθετήστε ένα εξάγωνο άλεν (11) μέσα στην εγκοπή στο προφυλακτήρα της μεταλλικής λάμας (3), σπρώξτε το μέσα καθώς σύρετε τον προφυλακτήρα της νάιλον κοπτικής κεφαλής (10).



ΣΤΕΡΕΩΣΗ ΤΗΣ ΜΕΤΑΛΛΙΚΗΣ ΛΑΜΑΣ Ή ΤΗΣ ΝΑΪΛΟΝ ΚΟΠΤΙΚΗΣ ΚΕΦΑΛΗΣ

Φροντίστε να χρησιμοποιείτε τις αυθεντικές κοπτικές λάμες ή τη νάιλον κοπτική κεφαλή της DOLMAR.

- Η μεταλλική λάμα πρέπει πάντοτε να είναι καλά γυαλισμένη και χωρίς ρωγμές ή σπασίματα. Εάν η μεταλλική λάμα χτυπήσει μια πέτρα κατά τη λειτουργία, σταματήστε τον κινητήρα και ελέγξτε αμέσως τη λάμα.
- Γυαλίστε ή αντικαταστήστε την μεταλλική λάμα κάθε τρεις ώρες λειτουργίας.
- Εάν η νάιλον κεφαλή κοπής χτυπήσει μια πέτρα κατά τη λειτουργία, σταματήστε τον κινητήρα και ελέγξτε αμέσως την νάιλον κεφαλή κοπής.

⚠ ΠΡΟΣΟΧΗ:

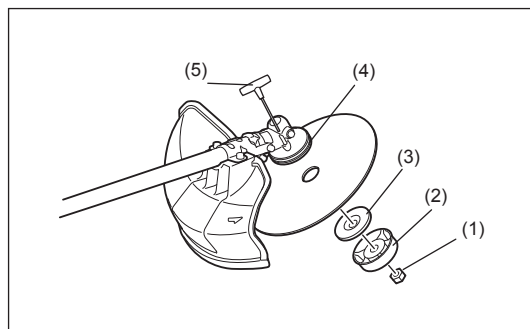
- Ο κατάλληλος προφυλακτήρας πρέπει πάντοτε να εγκαθίσταται, για την δική σας ασφάλεια και για την συμμόρφωση με τους κανονισμούς πρόληψης ατυχήματος.

Δεν επιτρέπεται η χρήση της συσκευής χωρίς την τοποθέτηση του προφυλακτήρα.

Η εξωτερική διάμετρος της κοπτικής λάμας πρέπει να είναι 300 χιλ ή μικρότερη. Ποτέ να μην χρησιμοποιήσετε λάμες που υπερβαίνουν τα 300 χιλ σε εξωτερική διάμετρο. Οι κοπτικές λάμες με εξωτερική διάμετρο 305 χιλ μπορούν να χρησιμοποιηθούν μόνο για αυτές με λάμα 2 δοντιών.

Στρέψτε τον ίσιο άξονα ανάποδα και τότε μπορείτε να αντικαταστήσετε τη μεταλλική λάμα ή τη νάιλον κοπτική κεφαλή εύκολα.

- Βάλτε το εξάγωνο άλεν (5) μέσα στην τρύπα στο κιβώτιο των ταχυτήτων και περιστρέψτε τη ροδέλα της μονάδας υποδοχής (4) έως ότου κλειδώσει με το εξάγωνο άλεν.
- Ξεσφίξτε το παξιμάδι (1) (αριστερό σπειρώμα) με το κλειδί άλεν και αφαιρέστε το παξιμάδι (1), το καπάκι (2) και τη ροδέλα σύσφιξης (3).



Στερέωση της μεταλλικής λάμας με το εξάγωνο άλεν ακόμη στη θέση του

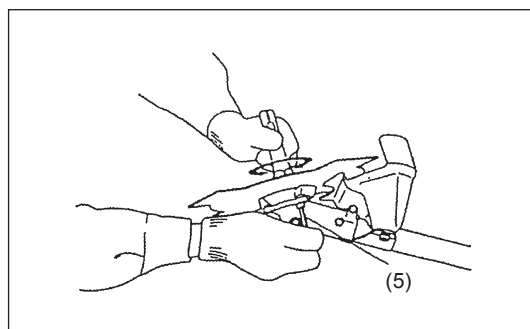
- Στερεώστε τη μεταλλική λάμα πάνω στον άξονα έτσι ώστε ο οδηγός της ροδέλας της μονάδας υποδοχής (4) να ταιριάζει στην τρύπα του άξονα της μεταλλικής λάμας. Τοποθετήστε τη ροδέλα σύσφιξης (3), το καπάκι (2) και στερεώστε τη μεταλλική λάμα με το παξιμάδι (1).
[Ροπή σφίξης: 20 – 30 N•m]

ΠΑΡΑΤΗΡΗΣΗ:

- Πάντοτε να φοράτε γάντια κατά τον χειρισμό της μεταλλικής λάμας.

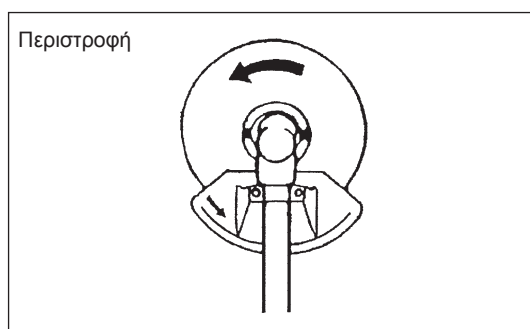
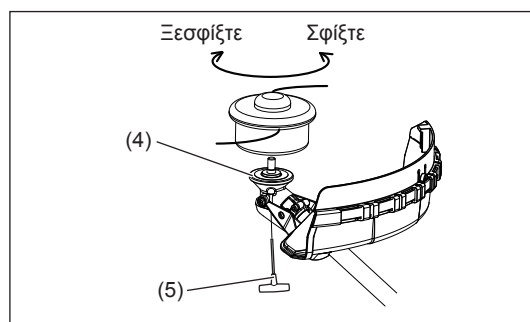
ΠΑΡΑΤΗΡΗΣΗ:

- Το παξιμάδι στερέωσης της μεταλλικής λάμας (με ελατηριωτή ροδέλα) είναι ένα αναλώσιμο εξάρτημα. Εάν εμφανιστεί η οποιαδήποτε φθορά ή παραμόρφωση στην ελατηριωτή ροδέλα, αντικαταστήστε το παξιμάδι.



Στερέωση της νάιλον κεφαλής κοπής

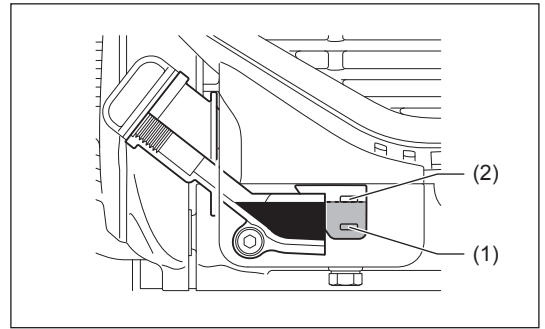
- Η ροδέλα σύσφιξης (3), το καπάκι (2) και το παξιμάδι (1) δεν είναι απαραίτητα για τη στερέωση της νάιλον κοπτικής κεφαλής. Η νάιλον κοπτική κεφαλή πρέπει να βρίσκεται στην κορυφή της μονάδας υποδοχής της ροδέλας (4).
- Βάλτε το εξάγωνο άλεν (5) μέσα στην τρύπα στο κιβώτιο των ταχυτήτων και περιστρέψτε τη ροδέλα της μονάδας υποδοχής (4) έως ότου κλειδώσει με το εξάγωνο άλεν.
- Στη συνέχεια βιδώστε την νάιλον κοπτική κεφαλή πάνω στον άξονα περιστρέφοντάς την αριστερόστροφα.
- Αφαιρέστε το εξαγωνικό κλειδί.



ΠΡΙΝ ΑΠΟ ΤΗΝ ΕΝΑΡΞΗ ΤΗΣ ΛΕΙΤΟΥΡΓΙΑΣ

Έλεγχος και αναπλήρωση του λαδιού του κινητήρα

- Εκτελέστε την παρακάτω διαδικασία, με κρύο τον κινητήρα.
- Φροντίστε ο κινητήρας να βρίσκεται σε επίπεδη οριζόντια επιφάνεια και επιβεβαιώστε ότι η στάθμη του λαδιού βρίσκεται μεταξύ του χαμηλότερου (1) και του υψηλότερου (2) ορίου της ένδειξης λαδιού.
- Εάν η στάθμη του λαδιού είναι κάτω από το χαμηλότερο όριο, αφαιρέστε την τάπα του λαδιού και προσθέστε λάδι.
- Η περιοχή που περιβάλλει τις εξωτερικές σημάνσεις είναι διαφανής, έτσι ώστε η ποσότητα του λαδιού στο εσωτερικό μπορεί να ελεγχθεί χωρίς να χρειάζεται να αφαιρέσετε την τάπα λαδιού. Όμως εάν ο σωλήνας λαδιού γίνει πάρα πολύ βρόμικος, η ορατότητα μπορεί να χαθεί και τότε η στάθμη του λαδιού θα πρέπει να ελεγχθεί έναντι του κλιμακωτού τμήματος στο εσωτερικό της σωλήνας λαδιού.
- Μπορεί να χρειαστεί να ανεφοδιάζετε με λάδι περίπου κάθε 10 ώρες λειτουργίας (κάθε 10 ανεφοδιασμοί).
Εάν αλλάξει το χρώμα του λαδιού ή αναμειχθεί με βρομιά, αντικαταστήστε το με καινούργιο. (Για το διάστημα και την μέθοδο αντικατάστασης, ανατρέξτε στη Σ 247.)



Συνιστώμενο λάδι: SAE 10W-30 λάδι Κατηγορίας API, Κλάση SF ή υψηλότερη (4-χρονος κινητήρας για αυτοκίνητα)

Όγκος λαδιού: Περίπου 0,10 L

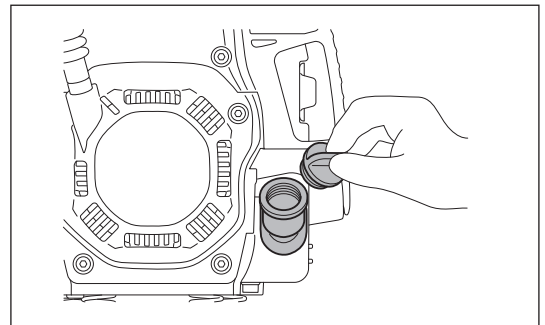
ΠΑΡΑΤΗΡΗΣΗ:

- Εάν ο κινητήρας δεν έχει τοποθετηθεί όπως φαίνεται σε οριζόντια επιφάνεια, ενδέχεται να προκύψει ανακριβής ένδειξη της στάθμης λαδιού και υπάρχει πιθανότητα ανεφοδιασμού. Η πλήρωση λαδιού πάνω από το ανώτερο όριο μπορεί να προκαλέσει τη ρύπανση του λαδιού ή/και λευκό καπνό.

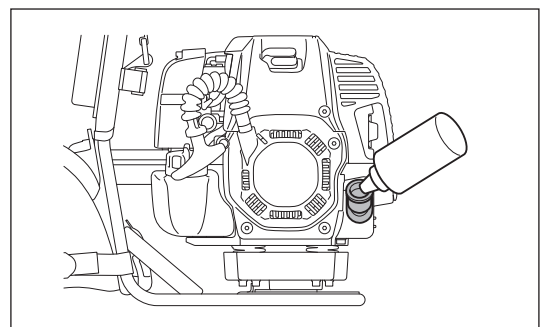
Αντικατάσταση λαδιού: “Τάπα λαδιού”

- Αφαιρέστε τη σκόνη ή την βρωμιά κοντά στην τρύπα ανεφοδιασμού του λαδιού, και αποσυνδέστε την τάπα λαδιού.
- Διατηρήστε την τάπα λαδιού που έχετε βγάλει καθαρή από άμμο και σκόνη. Διαφορετικά, η οποιαδήποτε άμμος ή σκόνη κολλήσει στην τάπα λαδιού μπορεί να προκαλέσει την μη φυσιολογική κυκλοφορία του λαδιού ή την φθορά των τμημάτων του κινητήρα, το οποίο θα προκαλέσει προβλήματα.

(1) Διατηρήστε το όριο του κινητήρα και αποσυνδέστε την τάπα λαδιού.



(2) Γεμίστε με λάδι έως την ένδειξη του ανώτερου ορίου.
Χρησιμοποιήστε το μπουκάλι λαδιού κατά το γέμισμα.



(3) Σφίξτε καλά την τάπα λαδιού. Το ανεπαρκές σφίξιμο μπορεί να προκαλέσει τη διαρροή λαδιού.

ΠΑΡΑΤΗΡΗΣΗ:

- Μην αντικαταστήσετε το λάδι έχοντας τον κινητήρα υπό κλίση.
- Το γέμισμα του λαδιού με τον κινητήρα υπό κλίση προσθέτει μια ποσότητα λαδιού μεγαλύτερη από την κανονική που προκαλεί την ρύπανση του λαδιού και/ή τον άσπρο καπνό.

Μετά από τον ανεφοδιασμό λαδιού

- Καθαρίστε τυχόν λάδι που έχει χυθεί αμέσως με ένα πανί.

ΑΝΕΦΟΔΙΑΣΜΟΣ

Χειρισμός καυσίμου

Είναι απαραίτητο να χειρίζεστε το καύσιμο με τη μεγαλύτερη δυνατή προσοχή. Το καύσιμο μπορεί να περιέχει ουσίες όμοιες με τους διαλύτες. Ο ανεφοδιασμός πρέπει να γίνεται σε ένα επαρκώς αεριζόμενο δωμάτιο ή σε ένα ανοικτό χώρο. Ποτέ να μην εισπνέετε τους ατμούς του καυσίμου και κρατήστε μακριά σας το καύσιμο. Εάν αγγίξετε το καύσιμο επαναλαμβανόμενα για μακρό χρονικό διάστημα το δέρμα γίνεται ξηρό, και μπορεί να προκαλέσει ασθένεια του δέρματος ή αλλεργία. Εάν το καύσιμο μπει στο μάτι καθαρίστε το με καθαρό νερό. Εάν το μάτι σας παραμείνει ερεθισμένο, συμβουλευτείτε το γιατρό σας.

Χρονική περίοδος αποθήκευσης του καυσίμου

Το καύσιμο πρέπει να χρησιμοποιείται μέσα σε μια περίοδο 4 εβδομάδων, ακόμη και αν είναι φυλαγμένο σε ειδικό δοχείο σε μια καλά αεριζόμενη σκιερή περιοχή.

Διαφορετικά, το καύσιμο μπορεί να αλλοιωθεί σε μια μέρα.

ΑΠΟΘΗΚΕΥΣΗ ΤΟΥ ΜΗΧΑΝΗΜΑΤΟΣ ΚΑΙ ΤΟΥ ΔΟΧΕΙΟΥ ΑΝΕΦΟΔΙΑΣΜΟΥ

- Φυλάξτε το μηχάνημα και το δοχείο σε ένα ψυχρό χώρο μακριά από το απευθείας ηλιακό φως.
- Ποτέ να μην τοποθετείτε το καύσιμο σε ένα αμάξι.

Καύσιμο

Ο κινητήρας είναι ένας τετράχρονος κινητήρας. Φροντίστε να χρησιμοποιήσετε βενζίνη αυτοκινήτου 87 οκτανίων ή περισσότερων ((R+M)/2). Δεν πρέπει να περιέχει περισσότερο από 10% αλκοόλη (E-10).

Σημειώσεις για το καύσιμο

- Ποτέ να μην χρησιμοποιήσετε ένα μείγμα βενζίνης που περιέχει λάδι μηχανής. Διαφορετικά, θα προκληθεί υπερβολική συσσώρευση άνθρακα ή μηχανικά προβλήματα.
- Η χρήση αλλοιωμένου λαδιού θα προκαλέσει τη μη φυσιολογική εκκίνηση.

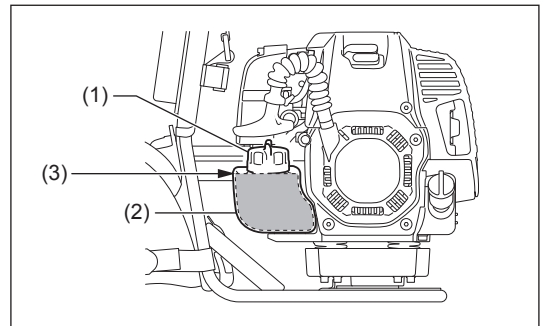
Ανεφοδιασμός

⚠ ΠΡΟΕΙΔΟΠΟΙΗΣΗ:

- **Σβήστε τον κινητήρα πριν τον ανεφοδιασμό με καύσιμα, να είστε μακριά από τις γυμνές φλόγες και να μην καπνίζετε.**
- Ξεσφίξτε λίγο την τάπα (1) του ρεζερβουάρ για να εκτονωθεί η πίεση του ρεζερβουάρ.
- Αφαιρέστε το καπάκι του ρεζερβουάρ και ανεφοδιάστε. ΜΗΝ γεμίσετε καύσιμο περισσότερο από το άνω όριο καυσίμου (3).
- Σκουπίστε καλά το εξωτερικό της τάπας του ρεζερβουάρ για να αποτρέψετε στα ξένα σώματα να μπουν μέσα στο ρεζερβουάρ καυσίμου.
- Μετά τον ανεφοδιασμό, σφίξτε καλά την τάπα του ρεζερβουάρ.

ΠΑΡΑΤΗΡΗΣΗ:

- Εάν υπάρχει κάποια ανωμαλία ή ζημιά στην τάπα του ρεζερβουάρ, αντικαταστήστε τη.
- Η τάπα του ρεζερβουάρ φθείρεται με το πέρασμα του χρόνου. Αντικαταστήστε τη κάθε δυο ή τρία χρόνια.
- ΜΗΝ ρίξετε καύσιμο στην τρύπα πλήρωσης λαδιού.



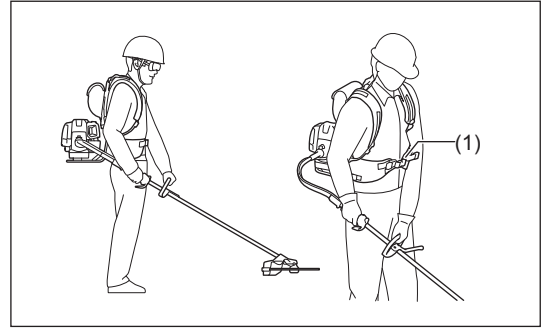
ΣΩΣΤΟΣ ΧΕΙΡΙΣΜΟΣ ΤΟΥ ΜΗΧΑΝΗΜΑΤΟΣ

⚠ ΠΡΟΕΙΔΟΠΟΙΗΣΗ:

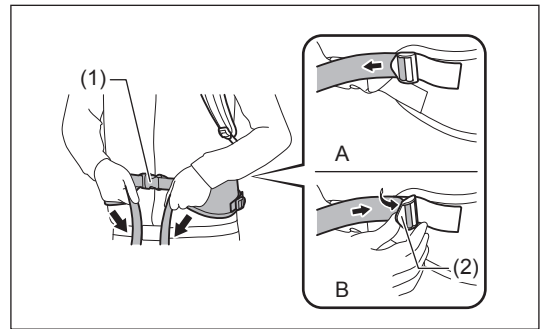
- Αν δεν διατηρήσετε τον πλήρη έλεγχο του μηχανήματος μπορεί να προκληθεί σοβαρός σωματικός τραυματισμός ή ΘΑΝΑΤΟΣ.

Τοποθέτηση του ιμάντα ώμου

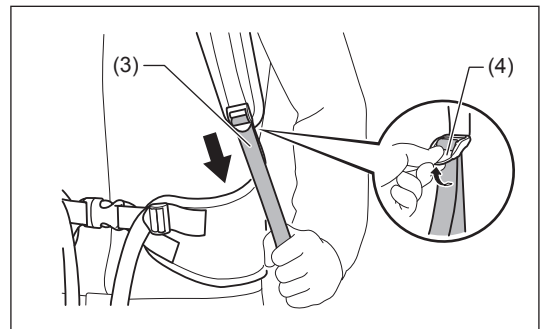
Ρυθμίστε τον ιμάντα ώμου ώστε να μεταφέρετε τον κινητήρα άνετα κατά τη λειτουργία.



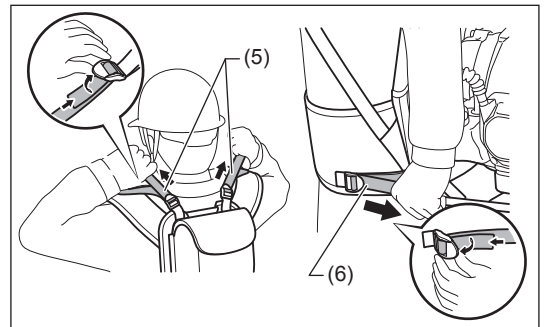
1. Τοποθετήστε τον ιμάντα ώμου στην πλάτη σας και κλείστε την πόρπη (1).
Για να ασφαλίσετε το δέσιμο μέσης, τραβήξτε το άκρο του δεσίματος (A).
Για να το χαλαρώσετε, τραβήξτε προς τα πάνω το άκρο του συνδετήρα (2) (B).



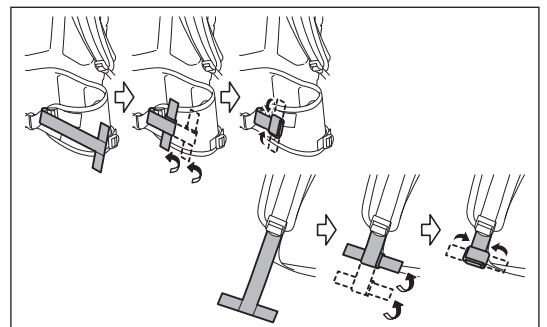
2. Ρυθμίστε το δέσιμο ώμου (3) σε ένα άνετο μήκος για την εργασία.
Για να ασφαλίσετε το δέσιμο, τραβήξτε το άκρο του δεσίματος.
Για να το χαλαρώσετε, τραβήξτε προς τα πάνω το άκρο του συνδετήρα (4).



3. Ρυθμίστε το δέσιμο σταθεροποιητή του ώμου και ισχίου (5, 6). Για να ασφαλίσετε το δέσιμο, τραβήξτε το άκρο του δεσίματος. Για να το χαλαρώσετε, τραβήξτε προς τα πάνω το άκρο του συνδετήρα.

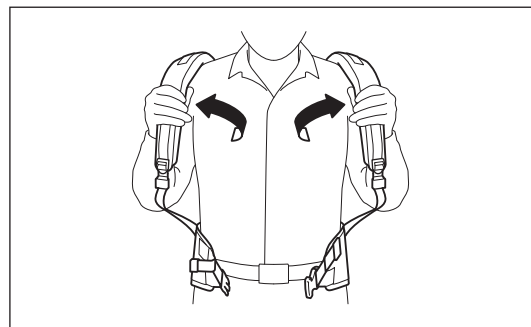
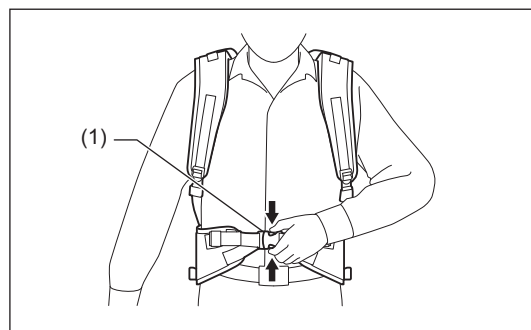


4. Μαζέψτε το περίσσειμα των δεσιμάτων και ασφαλίστε το με το συνδετήρα βρόχου και άγκιστρου.



Απασφάλιση του μηχανήματος

- Για να απασφαλίσετε το μηχάνημα, πιέστε τις πλευρές της πόρπης (1) και βγάλτε τον ιμάντα.
Τη στιγμή αυτή δώστε μεγάλη προσοχή για να διατηρήσετε τον έλεγχο του μηχανήματος. Μην επιτρέψετε στο μηχάνημα να εκτραπεί προς τα εσάς ή προς τον οποιονδήποτε στην περιοχή εργασίας.



ΤΡΟΠΟΣ ΕΚΚΙΝΗΣΗΣ ΚΑΙ ΣΤΑΜΑΤΗΜΑΤΟΣ ΤΟΥ ΚΙΝΗΤΗΡΑ

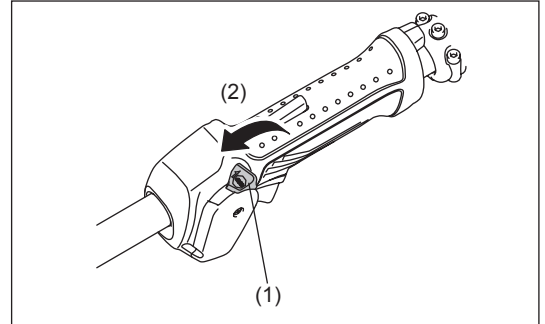
Να τηρείτε τους ισχύοντες κανονισμούς πρόληψης ατυχημάτων!

ΞΕΚΙΝΗΜΑ

Μετακινηθείτε τουλάχιστον 3 μέτρα μακριά από το σημείο ανεφοδιασμού με καύσιμο. Τοποθετήστε τη συσκευή στο έδαφος προσέχοντας ώστε το κοπτικό προσάρτημα να μην έρχεται σε επαφή με το έδαφος ή με άλλα αντικείμενα.

A: Εκκίνηση εν ψυχρώ

- 1) Τοποθετήστε αυτό το μηχάνημα σε μια επίπεδη επιφάνεια.
- 2) Θέστε το διακόπτη I-O (1) στη θέση ΛΕΙΤΟΥΡΓΙΑ (2).



- 3) Μοχλός τσοκ
Κλείστε το μοχλό του τσοκ.

Άνοιγμα του τσοκ:

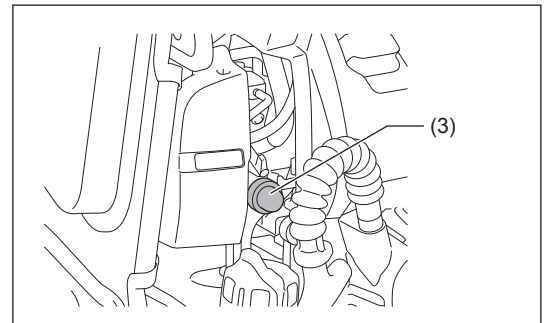
- Πλήρως κλειστό στις ψυχρές θερμοκρασίες ή όταν ο κινητήρας είναι ψυχρός.
- Πλήρως ανοικτός ή μισάνοικτος, εάν ο κινητήρας είναι λίγο ζεστός, όπως κατά την επανεκκίνηση του κινητήρα αμέσως μετά από σταμάτημα κατά τη διάρκεια της προθέρμανσης.



- 4) Αντλία προέγχυσης

Συνεχίστε να σπρώχνετε την αντλία προέγχυσης (3) έως ότου το καύσιμο να εισέλθει μέσα στην αντλία προέγχυσης. (Γενικά, 7 έως 10 ωθήσεις.)

Εάν η αντλία προέγχυσης σπρωχτεί υπερβολικά, η περίσσεια ποσότητα βενζίνης επιστρέφει στο ρεζερβουάρ καυσίμου.



5) Εκκινήτριας ανατύλιξης

Να βεβαιώνετε πάντοτε ότι στέκεστε σταθερά.

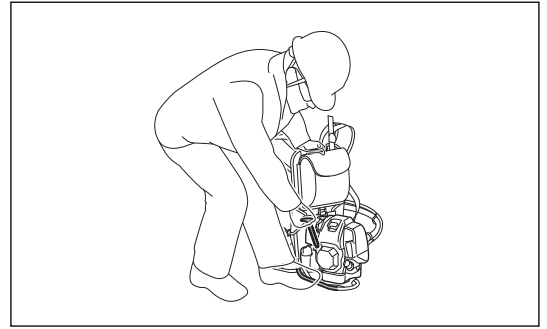
Κρατήστε τη μονάδα με το αριστερό σας χέρι και πιέστε τη σταθερά προς τα κάτω.

⚠ ΠΡΟΣΟΧΗ:

- Μην στέκεστε ή γονατίζετε επάνω στο καλώδιο του γκαζιού. Το εσωτερικό καλώδιο μπορεί να τραβηχτεί και το κοπτικό εργαλείο μπορεί να αρχίσει να περιστρέφεται κατά λάθος. Μην ενεργοποιήσετε το γκάτζι.

Τραβήξτε το κομβίο εκκινήτριας με προσοχή μέχρι να αισθανθείτε κάποια αντίσταση. Στη συνέχεια, επιστρέψτε το κομβίο εκκινήτριας και τραβήξτε το δυνατά.

Ποτέ να μην τραβήξετε το σχοινί μέχρι τέρμα. Όταν τραβηχτεί το κομβίο εκκινήτριας, ποτέ να μην ελευθερώσετε το χέρι σας αμέσως. Κρατήστε το κομβίο εκκινήτριας έως ότου να επιστρέψει στο αρχικό της σημείο.



6) Μοχλός τσοκ

Όταν ξεκινήσει ο κινητήρας, θέστε το μοχλό του τσοκ στην ΑΝΟΙΚΤΗ θέση.

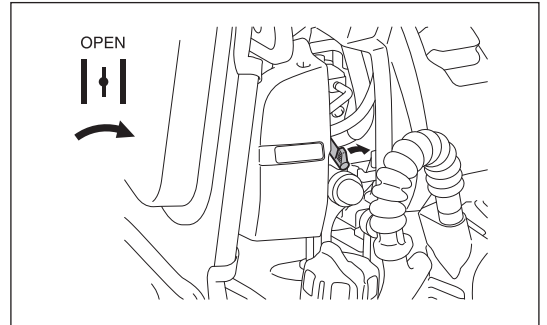
- Ανοίξτε προοδευτικά τον μοχλό του τσοκ καθώς ελέγχετε τη λειτουργία του κινητήρα. Φροντίστε να ανοίξετε πλήρως το μοχλό του τσοκ στο τέλος.
- Στο κρύο ή όταν ο κινητήρας είναι κρύος, ποτέ να μην ανοίξετε απότομα το μοχλό του τσοκ. Διαφορετικά, ο κινητήρας μπορεί να σταματήσει.

7) Λειτουργία προθέρμανσης

Συνεχίστε τη λειτουργία προθέρμανσης για 2 έως 3 λεπτά.

ΕΙΔΟΠΟΙΗΣΗ:

- **Μην τραβάτε το μοχλό του γκαζιού άσκοπα όταν δεν λειτουργεί ο κινητήρας.** Μπορεί να προκληθεί διαρροή καυσίμου από το φίλτρο αέρα. Εάν αυτό συμβεί, σκουπίστε καύσιμο που διέρρευσε. Επίσης, ανοίξτε το κάλυμμα του φίλτρου αέρα και καθαρίστε το στοιχείο και την πλάκα του φίλτρου αέρα.



ΠΑΡΑΤΗΡΗΣΗ:

- Μην τραβάτε το μοχλό του γκαζιού άσκοπα όταν δεν λειτουργεί ο κινητήρας. Αυτό μπορεί να προκαλέσει υπερπλήρωση του κινητήρα με καύσιμο και μπορεί να προκαλέσει τη δυσκολία εκκίνησης του κινητήρα.
- Εάν εισέλθει υπερβολική ποσότητα καυσίμου (μπούκωμα), αφαιρέστε το μπουζί και τραβήξτε το χερούλι του εκκινήτριας αργά για να αφαιρέσετε το υπερβολικό καύσιμο. Επίσης, στεγνώστε το τμήμα του ηλεκτροδίου του μπουζί.
- Αν ο κινητήρας λειτουργήσει και σταματήσει, ή σταματήσει σύντομα μετά από την εκκίνησή του, επιστρέψτε το μοχλό του τσοκ στην ΑΝΟΙΚΤΗ θέση, και τραβήξτε μερικές φορές ξανά τη λαβή του εκκινήτριας για να ξεκινήσετε τον κινητήρα.
- Αν ο μοχλός του τσοκ παραμείνει στην ΚΛΕΙΣΤΗ θέση και η λαβή εκκινήτριας απλά τραβηχτεί επαναλαμβανόμενα, θα εισέλθει πολύ μεγάλη ποσότητα καυσίμου και ο κινητήρας θα είναι δύσκολο να ξεκινήσει.
- Μην μαρσάρετε άσκοπα τον κινητήρα στη λειτουργία προθέρμανσης.

B: Θερμή εκκίνηση

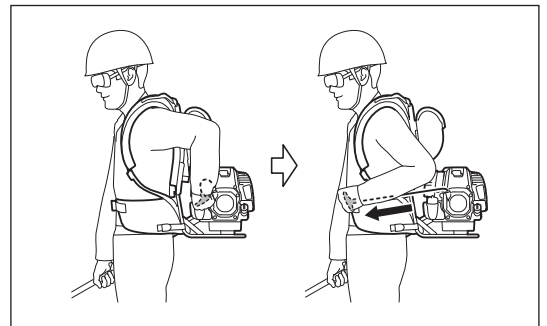
- 1) Διατηρήστε το μοχλό του τσοκ στην πλήρως ανοικτή θέση.
- 2) Σπρώξτε επαναλαμβανόμενα την αντλία προέγχυσης.
- 3) Κρατήστε τον μοχλό του γκαζιού στη θέση του ρελαντί.
- 4) Τραβήξτε το κομβίο εκκινήτριας δυνατά.

Μπορείτε, επίσης, να επανεκκινήσετε τον κινητήρα ενώ μεταφέρετε το εργαλείο στην πλάτη σας.

⚠ ΠΡΟΣΟΧΗ:

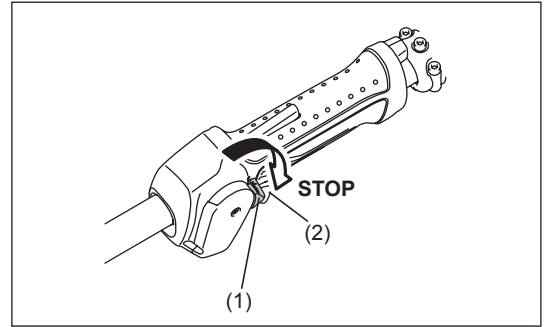
- Κατά την επανεκκίνηση, βεβαιωθείτε ότι το κοπτικό εργαλείο δεν ακουμπάει.
- Μην τραβάτε το μοχλό γκαζιού κατά την επανεκκίνηση. Διαφορετικά, το κοπτικό εργαλείο αρχίζει να περιστρέφεται.

Κρατήστε το χερούλι με το δεξί σας χέρι και τραβήξτε δυνατά το κομβίο εκκινήτριας.



ΣΤΑΜΑΤΗΜΑ

- 1) Αφήστε εντελώς το μοχλό του γκαζιού (2) και όταν οι στροφές του κινητήρα μειωθούν, θέστε το διακόπτη I-O (1) στη θέση STOP και ο κινητήρας τώρα θα σταματήσει.
- 2) Το κοπτικό εργαλείο θα συνεχίσει να περιστρέφεται για λίγο αφού σταματήσει ο κινητήρας. Περιμένετε μέχρι να σταματήσει εντελώς.

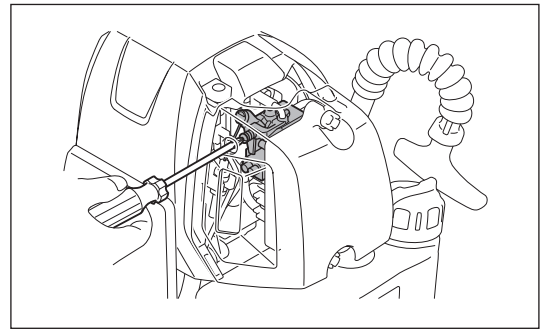


ΡΥΘΜΙΣΗ ΤΗΣ ΧΑΜΗΛΗΣ ΠΕΡΙΣΤΡΟΦΙΚΗΣ ΤΑΧΥΤΗΤΑΣ (ΡΕΛΑΝΤΙ)

Όταν είναι απαραίτητο να ρυθμίσετε την περιστροφή χαμηλής ταχύτητας (ρελαντί), εκτελέστε την από τη βίδα ρύθμισης του ρελαντί.

ΕΛΕΓΧΟΣ ΤΗΣ ΤΑΧΥΤΗΤΑΣ ΡΕΛΑΝΤΙ

- Ρυθμίστε την χαμηλή περιστροφική ταχύτητα (ρελαντί) στις 3.000 λεπ⁻¹. Εάν είναι απαραίτητο να αλλάξετε την χαμηλή περιστροφική ταχύτητα (ρελαντί), χρησιμοποιήστε ένα κατσαβίδι για βίδες κεφαλής phillips πάνω στη βίδα που δείχνεται στα δεξιά.
- Για να αυξήσετε την χαμηλή περιστροφική ταχύτητα (ρελαντί), στρίψτε δεξιόστροφα τη ρυθμιστική βίδα. Για να μειώσετε την χαμηλή περιστροφική ταχύτητα (ρελαντί), στρίψτε αριστερόστροφα τη ρυθμιστική βίδα.
- Η ρύθμιση του καρμπυρατέρ έχει γίνει στο εργοστάσιο. Ωστόσο, η χαμηλή περιστροφική ταχύτητα χρειάζεται να επαναρυθμιστεί μετά από αρκετές χρήσεις.



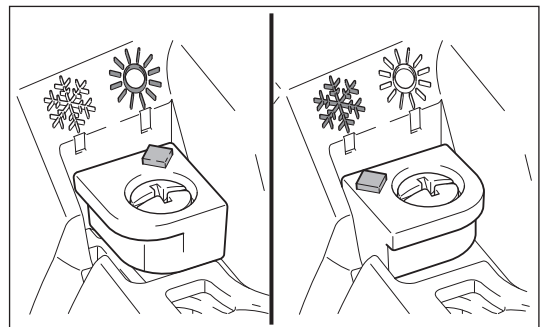
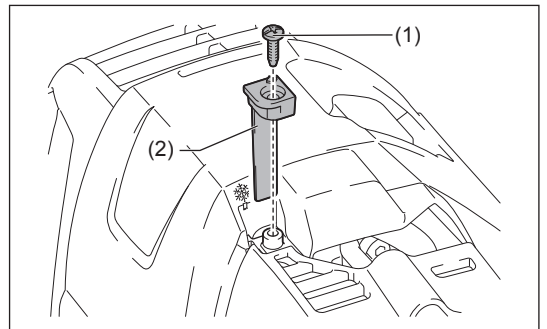
ΠΡΟΛΗΨΗ ΠΑΓΩΜΑΤΟΣ ΚΑΡΜΠΥΡΑΤΕΡ

⚠ ΠΡΟΣΟΧΗ:

- Όταν η θερμοκρασία του περιβάλλοντος είναι υψηλότερη των 10°C, πάντοτε να επαναφέρετε το κλείστρο στη φυσιολογική του ρύθμιση (σημάδι του ήλιου). Διαφορετικά ενδέχεται να προκληθεί ζημιά στον κινητήρα λόγω υπερθέρμανσης.

Όταν η θερμοκρασία του περιβάλλοντος είναι χαμηλή και η υγρασία είναι υψηλή, οι υδρατμοί μπορεί να παγώσουν μέσα στο καρμπυρατέρ και ο κινητήρας να λειτουργεί ασταθώς (πάγωμα καρμπυρατέρ). Αλλάξτε τη ρύθμιση του κλείστρου ως εξής αν είναι απαραίτητο.

1. Αφαιρέστε τη βίδα (1).
2. Αλλάξτε την κατεύθυνση του κλείστρου (2) ως εξής:
 - Η θερμοκρασία του περιβάλλοντος είναι μεγαλύτερη από 10°C: Ρυθμίστε το κλείστρο στην κανονική θέση (σημάδι ήλιου).
 - Η θερμοκρασία του περιβάλλοντος είναι ίση με ή μικρότερη από 10°C: Ρυθμίστε το κλείστρο στην αντιπαγωτική θέση (σημάδι χιονιού).
3. Σφίξτε τη βίδα.



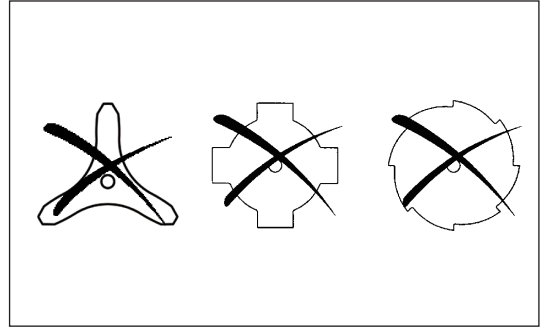
ΑΚΟΝΙΣΜΑ ΤΟΥ ΕΡΓΑΛΕΙΟΥ ΚΟΠΗΣ

⚠ ΠΡΟΣΟΧΗ:

- Τα κοπτικά εργαλεία που φαίνονται στην εικόνα δεν πρέπει να ακονίζονται. Το επανακόνισμα με το χέρι θα προκαλέσει ανισορροπίες στο κοπτικό εργαλείο, οι οποίες θα προκαλέσουν δονήσεις και ζημιά στη συσκευή.

ΠΑΡΑΤΗΡΗΣΗ:

- Για να αυξηθεί η διάρκεια ζωής της κοπτικής λάμας μπορεί να αναποδογυριστεί μια φορά, έως ότου να αμβλύνουν και τα δύο κοπτικά άκρα.



ΝΑΪΛΟΝ ΚΕΦΑΛΗ ΚΟΠΗΣ

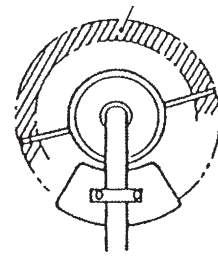
Η νάιλον κοπτική κεφαλή είναι μια κεφαλή κοπής διπλής μεσινέζας με μηχανισμούς πρόσκρουσης & τροφοδοσίας.

Η νάιλον κοπτική κεφαλή τροφοδοτεί το νάιλον μεσινέζας μετά το κτύπημα της κεφαλής κοπής στο έδαφος.

Λειτουργία

- Αυξήστε την ταχύτητα της νάιλον κοπτικής κεφαλής περίπου στις 6.000 λεπ⁻¹. Κτυπήστε ελαφρά τη νάιλον κοπτική κεφαλή στο έδαφος.
- Η πιο αποτελεσματική περιοχή κοπής δείχνεται από την σακιασμένη περιοχή.
- Εάν το νάιλον νήμα δεν τροφοδοτείται, επανατυλίξτε/αντικαταστήστε το νάιλον νήμα ακολουθώντας τις διαδικασίες που περιγράφονται στην ενότητα "Αντικατάσταση του νάιλον νήματος".

Η πιο αποτελεσματική περιοχή κοπής

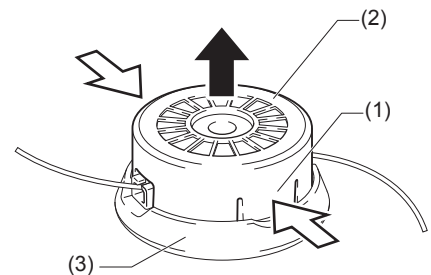


Αντικατάσταση της νάιλον μεσινέζας (ΠΡΟΣΚΡΟΥΣΗ & ΤΡΟΦΟΔΟΣΙΑ)

⚠ ΠΡΟΕΙΔΟΠΟΙΗΣΗ:

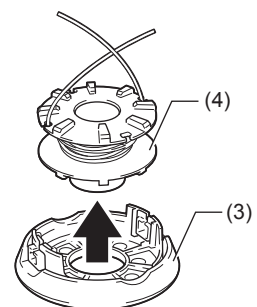
- Φροντίστε ώστε το κάλυμμα της νάιλον κοπτικής κεφαλής να είναι στερεωμένο κατάλληλα στη θήκη όπως περιγράφεται παρακάτω. Αν δεν ασφαλίσετε κατάλληλα το κάλυμμα, μπορεί να προκληθεί η εκτόξευση της νάιλον κοπτικής κεφαλής προκαλώντας το σοβαρό προσωπικό τραυματισμό.

1. Πιέστε τα μάνταλα (1) στη θήκη (2) προς τα μέσα και ανυψώστε για να αφαιρέσετε το κάλυμμα (3).



2. Αφήστε το νάιλον μεσινέζας από το οφθαλμίδιο. Και αφαιρέστε το καρούλι (4) από το κάλυμμα.

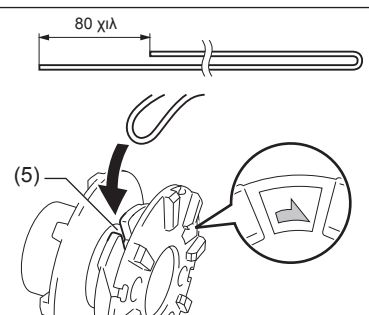
Απορρίψτε την οποιαδήποτε νάιλον μεσινέζα που έχει απομείνει.



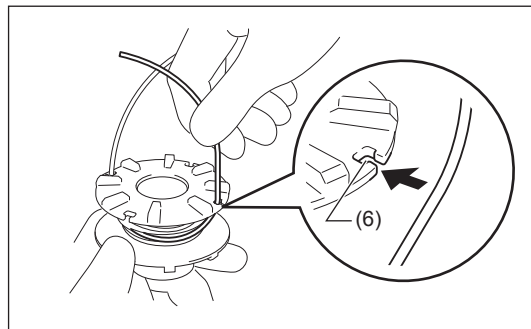
3. Αγκιστρώστε το κέντρο της καινούργιας νάιλον μεσινέζας στην εγκοπή (5) στο κέντρο του καρουλιού ανάμεσα στα 2 κανάλια.

Η μια πλευρά της μεσινέζας πρέπει να είναι 80 χιλ μακρύτερη από την άλλη πλευρά.

Τυλίξτε και τα δύο άκρα καλά γύρω από το καρούλι προς τη διεύθυνση της ένδειξης βέλους στο καρούλι.

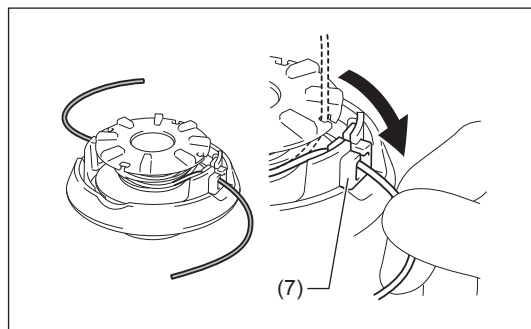


4. Τυλίξτε γύρω όλο το νήμα εκτός από ένα μήκος 100 χιλ, αφήνοντας προσωρινά τα αγκιστρωμένα άκρα μέσα στις εγκοπές (6).

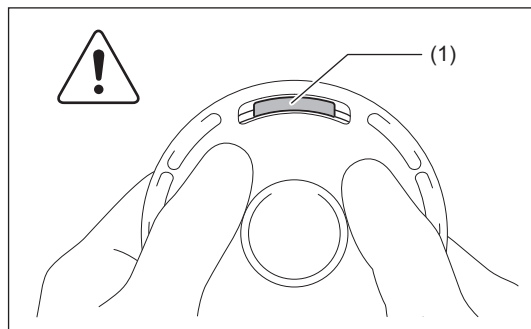
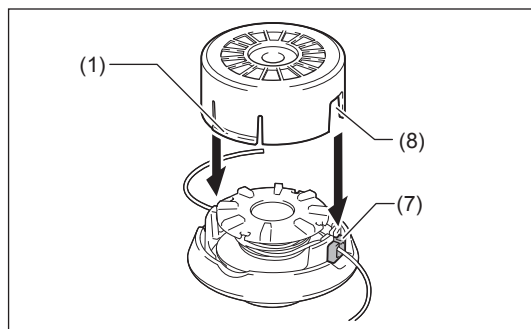


5. Στερεώστε το καρούλι στο κάλυμμα καθώς οι εγκοπές συγκράτησης συναντούν τα οφθαλμίδια (7).

Απαγκιστρώστε τα άκρα του νήματος από την προσωρινή τους θέση και περάστε τα νήματα μέσα στα οφθαλμίδια.



6. Ευθυγραμμίστε τις τετράγωνες σχισμές (8) στη θήκη με τα οφθαλμίδια (7). Στη συνέχεια σπρώξτε τη θήκη καλά πάνω στο κάλυμμα για να το ασφαλίσετε. Φροντίστε ώστε τα μάνταλα (1) να εκτείνονται πλήρως πάνω στο κάλυμμα.



⚠ ΠΡΟΣΟΧΗ:

- Πριν κάνετε την οποιαδήποτε εργασία πάνω στη συσκευή, πάντοτε να σταματάτε τον κινητήρα και να αποσυνδέετε την πίπα του μπουζί από το μπουζί (δείτε την ενότητα "ελεγχος του μπουζί"). Να φοράτε πάντα προστατευτικά γάντια!

Για τη διασφάλιση της μεγάλης διάρκειας ζωής και της αποφυγής της ζημιάς στη συσκευή, εκτελείτε κατά τακτά διαστήματα τις παρακάτω εργασίες συντήρησης.

Καθημερινός έλεγχος και συντήρηση

- Πριν τη λειτουργία, ελέγξτε τη συσκευή για ξεσφιγμένες βίδες ή εξαρτήματα που λείπουν. Δώστε ιδιαίτερη προσοχή στο σφίξιμο της μεταλλικής λάμας ή στην νάιλον κοπτική κεφαλή.
- Πριν από την λειτουργία, πάντοτε να ελέγχετε για την ύπαρξη βουλώματος στους αεραγωγούς ψύξης και στα πτερύγια του κυλίνδρου. Καθαρίστε τα εάν είναι απαραίτητο.
- Εκτελέστε τις παρακάτω εργασίες συντήρησης καθημερινά μετά την χρήση:
 - Καθαρίστε εξωτερικά τη συσκευή και επιθεωρήστε τη για την ύπαρξη ζημιάς.
 - Καθαρίστε το φίλτρο αέρα. Κατά την εργασία υπό συνθήκες με πολύ σκόνη, καθαρίστε το φίλτρο αρκετές φορές την μέρα.
 - Ελέγξτε τη λάμα ή τη νάιλον κεφαλή κοπής για ζημιά και βεβαιωθείτε ότι είναι καλά στερεωμένη.
 - Ελέγξτε για να διαπιστώσετε ότι υπάρχει επαρκής διαφορά μεταξύ των ταχυτήτων του ρελαντί και της λειτουργίας και να διασφαλίσετε ότι το κοπτικό εργαλείο είναι σταματημένο όταν ο κινητήρας βρίσκεται στο ρελαντί (εάν είναι απαραίτητο, ελαττώστε την ταχύτητα του ρελαντί). Εάν στο ρελαντί το εργαλείο συνεχίσει να λειτουργεί, συμβουλευτείτε τον εξουσιοδοτημένο αντιπρόσωπο του σέρβις.
- Ελέγξτε για να διαπιστώσετε ότι ο διακόπτης I-O, ο μοχλός απεμπλοκής και ο μοχλός γκαζιού λειτουργούν σωστά.

ΑΝΤΙΚΑΤΑΣΤΑΣΗ ΤΟΥ ΛΑΔΙΟΥ ΤΟΥ ΚΙΝΗΤΗΡΑ

Το αλλοιωμένο λάδι θα μειώσει τη διάρκεια ζωής του κινητήρα. Φροντίστε να ελέγχετε το λάδι και τη στάθμη τακτικά.



ΠΡΟΕΙΔΟΠΟΙΗΣΗ: Ο κινητήρας και το λάδι του κινητήρα είναι ακόμη ζεστά αμέσως μετά το σταμάτημα του κινητήρα. Αφήστε επαρκή χρόνο ώστε να κρυώσουν ο κινητήρας και το λάδι του κινητήρα. Αλλιώς μπορεί να προκληθεί έγκαυμα στο δέρμα σας.

ΠΑΡΑΤΗΡΗΣΗ:

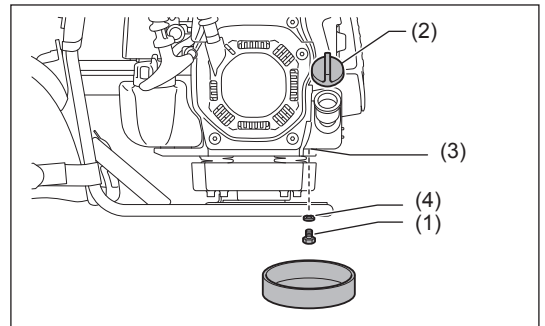
- Εάν το λάδι γεμίσει πάνω από το όριο, μπορεί να ρυπανθεί ή να πιάσει φωτιά με άσπρο καπνό. Αφήστε αρκετό χρόνο μετά το σταμάτημα του κινητήρα ώστε το λάδι του κινητήρα να επιστρέψει στη δεξαμενή καυσίμου για να εξασφαλιστεί η ακριβής μέτρηση της στάθμης του λαδιού.

Διάστημα αντικατάστασης: Μετά από τις πρώτες 20 ώρες λειτουργίας και ακολούθως κάθε 50 ώρες λειτουργίας.

Συνιστώμενο λάδι: SAE 10W-30 λάδι Κατηγορίας API Κλάση SF ή υψηλότερη (4-χρονος κινητήρας για αυτοκίνητα)

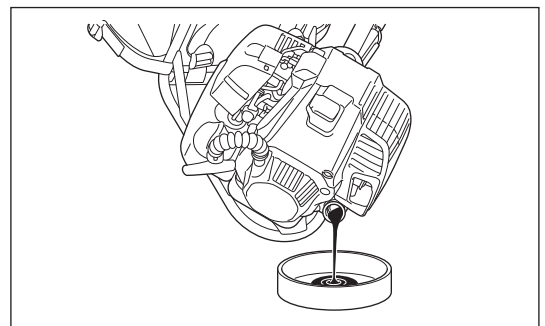
Κατά την αντικατάσταση εκτελέστε την παρακάτω διαδικασία.

- 1) Φροντίστε ώστε η τάπα του ρεζερβουάρ καυσίμου να είναι καλά σφιγμένη.
- 2) Τοποθετήστε ένα μεγάλο δοχείο (λεκάνη, κτλ) κάτω από την τρύπα αποστράγγισης.
- 3) Αφαιρέστε το μπουλόνι αποστράγγισης (1) και στη συνέχεια αφαιρέστε την τάπα του λαδιού (2) για να αποστραγγιστεί το λάδι από την τρύπα αποστράγγισης (3). Τη στιγμή αυτή, φροντίστε ώστε να μην χάσετε τη φλάντζα (4) του μπουλονιού αποστράγγισης ή να μην κολλήσει βρομιά πάνω στα εξαρτήματα που έχουν αφαιρεθεί.
- 4) Όταν αποστραγγιστεί όλο το λάδι, τοποθετήστε τη φλάντζα και το μπουλόνι αποστράγγισης και στερεώστε καλά το μπουλόνι αποστράγγισης έτσι ώστε να μην μπορεί να ξεσφίξει και να προκαλέσει διαρροές.
[Ροπή σφίξης: 5 N•m]
* Χρησιμοποιώντας ένα ύφασμα σκουπίστε το λάδι που τυχόν υπάρχει πάνω στο μπουλόνι ή στη συσκευή.



Εναλλακτική μέθοδος αποστράγγισης

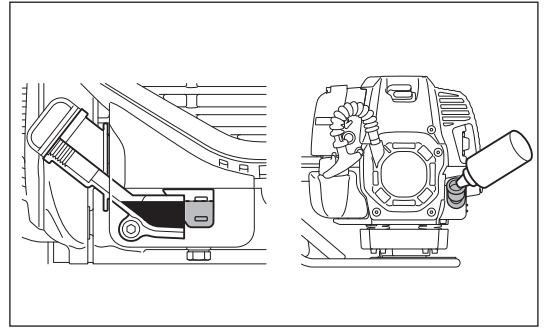
Αφαιρέστε τη τάπα του λαδιού, δώστε κλίση στη συσκευή προς το μέρος της τρύπας του πληρωτή λαδιού και στη συνέχεια, αποστραγγίστε έξω το λάδι. Συλλέξτε το λάδι στο δοχείο.



- 5) Τοποθετήστε επίπεδα τον κινητήρα και στη συνέχεια, γεμίστε βαθμιαία έως τη σήμανση του ανώτατου ορίου με καινούργιο λάδι.
- 6) Μετά το γέμισμα, σφίξτε καλά την τάπα του λαδιού έτσι ώστε να μην ξεσφίξει και προκαλέσει διαρροές.
Εάν η τάπα του λαδιού δεν στερεωθεί καλά μπορεί να προκληθεί διαρροή.

ΣΗΜΕΙΩΣΕΙΣ ΓΙΑ ΤΟ ΛΑΔΙ

- Ποτέ να μην πετάξετε το παλιό λάδι στα σκουπίδια, στο έδαφος ή στην αποχέτευση. Η απόρριψη του λαδιού υπόκειται στην νομοθεσία. Κατά την απόρριψη, πάντοτε να ακολουθείτε τους σχετικούς νόμους και κανονισμούς. Εάν δεν γνωρίζετε κάποια στοιχεία, επικοινωνήστε με τον εξουσιοδοτημένο αντιπρόσωπο του σέρβις.
- Το λάδι θα αλλοιωθεί ακόμη και αν το φυλάξετε αχρησιμοποίητο. Εκτελέστε τον έλεγχο και την αντικατάσταση σε τακτά διαστήματα (αντικαταστήστε με καινούργιο λάδι κάθε 6 μήνες).



ΚΑΘΑΡΙΣΜΟΣ ΦΙΛΤΡΟΥ ΑΕΡΑ



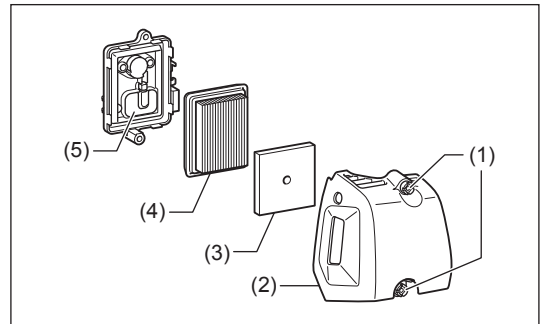
ΠΡΟΕΙΔΟΠΟΙΗΣΗ: Σβήστε τον κινητήρα, να είστε μακριά από τις γυμνές φλόγες και να μην καπνίζετε.

Χρονικό διάστημα καθαρισμού και επιθεώρησης: Καθημερινά (κάθε 10 ώρες λειτουργίας)

- Στρέψτε το μοχλό του τσοκ στην πλήρως κλειστή πλευρά και κρατήστε το καρμπυρατέρ καθαρό από βρωμιά ή σκόνη.

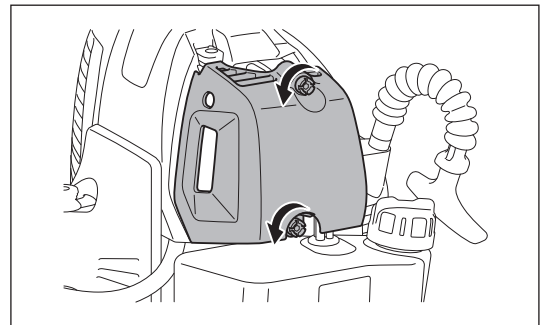
Αφαίρεση του καλύμματος φίλτρου αέρα

- Ξεσφίξτε τα δύο μπουλόνια στερέωσης (1).
- Τραβήξτε και αφαιρέστε το κάλυμμα του φίλτρου αέρα (2).



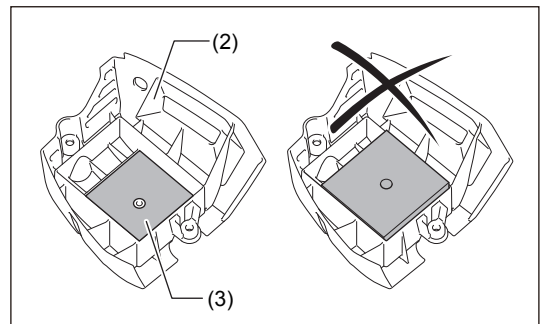
Καθαρισμός των στοιχείων

- Αφαιρέστε τα στοιχεία (3, 4) και χτυπήστε τα για να αφαιρέσετε τη βρομιά.
- Για μεγάλη ρύπανση:
 - 1) Αφαιρέστε το στοιχείο (σπόγγος) (3), βυθίστε το σε ζεστό νερό ή σε νερό με διαλυμένο ουδέτερο απορρυπαντικό, και στεγνώστε το εντελώς. Μην το πιέζετε ή το τρίβετε κατά την πλύση.
 - 2) Καθαρίστε το στοιχείο (χαρτί) (4) χτυπώντας το ελαφρά. Εάν μπορείτε να χρησιμοποιήσετε πιστόλι αέρα, φυσήξτε τον πεπιεσμένο αέρα στο εσωτερικό του στοιχείου (χαρτί). Μην πλένετε το στοιχείο (χαρτί).
- Πριν συνδέσετε το στοιχείο (σπόγγος), φροντίστε να το στεγνώσετε εντελώς. Το ανεπαρκές στέγνωμα του στοιχείου (σπόγγος) μπορεί να οδηγήσει στην δυσκολία της εκκίνησης.
- Σκουπίστε με ένα άχρηστο πανί το λάδι που είναι κολλημένο γύρω από το κάλυμμα του φίλτρου αέρα και την πλάκα (5) του διαχωριστή.



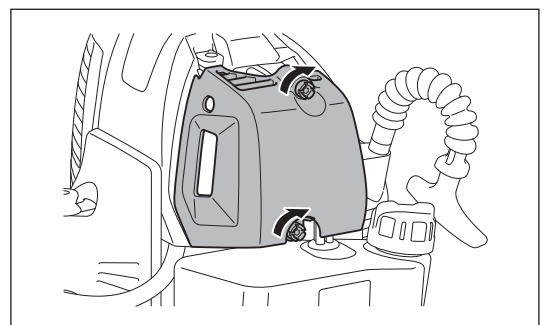
Σύνδεση του καλύμματος φίλτρου αέρα

- Τοποθετήστε το στοιχείο (σπόγγος) και το στοιχείο (χαρτί). Εισαγάγετε το στοιχείο (σπόγγος) μέχρι τέρμα μέσα στο κάλυμμα του φίλτρου αέρα.
- Σφίξτε το κάλυμμα του φίλτρου αέρα με τα δύο μπουλόνια στερέωσης.



ΕΙΔΟΠΟΙΗΣΗ:

- Καθαρίστε τα στοιχεία αρκετές φορές την ημέρα, εάν κολλάει πάνω τους υπερβολική σκόνη. Τα βρόμικα στοιχεία μειώνουν την ισχύ του κινητήρα και δυσχεραίνουν την εκκίνηση του κινητήρα.
- Αφαιρέστε το λάδι από τα στοιχεία. Εάν συνεχιστεί η λειτουργία με τα στοιχεία να παραμένουν βρόμικα από λάδι, το λάδι από το φίλτρο αέρα μπορεί να πέσει έξω προκαλώντας ρύπανση του περιβάλλοντος.
- Μην τοποθετείτε τα στοιχεία στο έδαφος ή σε βρόμικο χώρο. Αλλιώς μαζεύουν βρομιά ή θραύσματα και μπορεί να προκληθεί βλάβη στον κινητήρα.
- Ποτέ να μη χρησιμοποιείτε καύσιμο για τον καθαρισμό των στοιχείων. Το καύσιμο μπορεί να προκαλέσει τη βλάβη τους.

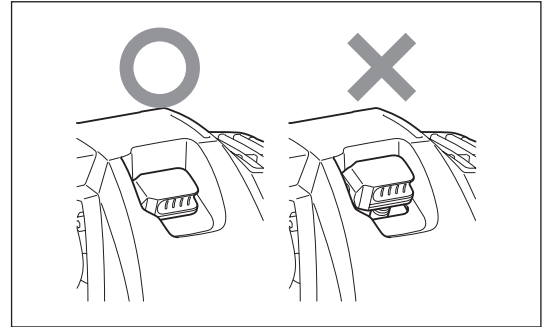
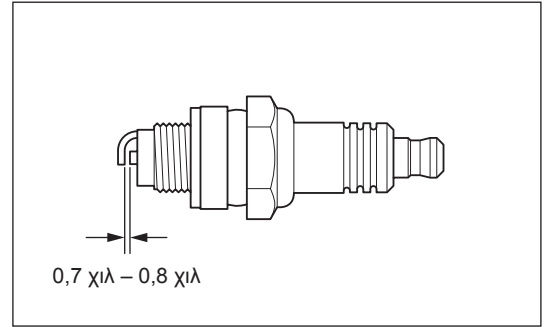


ΕΛΕΓΧΟΣ ΤΟΥ ΜΠΟΥΖΙ

- Χρησιμοποιήστε μόνο το παρεχόμενο κλειδί γενικής χρήσης για την αφαίρεση ή την τοποθέτηση του μπουζί.
- Το διάκενο μεταξύ των δυο ηλεκτροδίων του μπουζί πρέπει να είναι 0,7 – 0,8 χιλ. Διορθώστε το διάκενο εάν είναι πολύ μεγάλο ή μικρό. Εάν το μπουζί είναι βουλωμένο ή ρυπαρό, καθαρίστε το καλά ή αντικαταστήστε το. Τοποθετήστε σωστά το κάλυμμα του μπουζί όπως φαίνεται μετά τον έλεγχο.

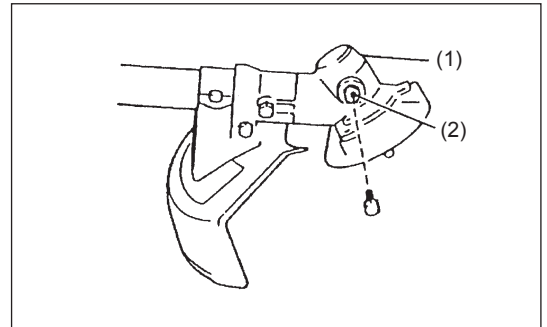
⚠ ΠΡΟΣΟΧΗ:

- Ποτέ να μην αγγίζετε το σύνδεσμο του μπουζί καθώς λειτουργεί ο κινητήρας (υπάρχει κίνδυνος ηλεκτροπληξίας από την υψηλή τάση).



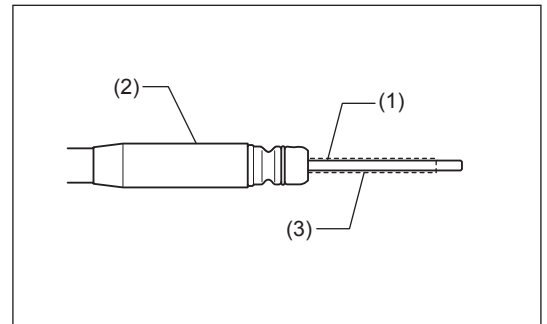
ΓΡΑΣΑΡΙΣΜΑ ΤΟΥ ΚΙΒΩΤΙΟΥ ΤΑΧΥΤΗΤΩΝ

- Βάλτε γράσο (Shell Alvania 2 ή ισοδύναμο) στο κιβώτιο ταχυτήτων (1) μέσα από την τρύπα του γράσου (2) κάθε 25 ώρες. (Αυθεντικό γράσο DOLMAR μπορεί να αγοραστεί από τον αντιπρόσωπο της DOLMAR.)



ΓΡΑΣΑΡΙΣΜΑ ΤΟΥ ΕΥΚΑΜΠΤΟΥ ΑΞΟΝΑ

1. Αφαιρέστε τον εύκαμπτο άξονα από τη θήκη συμπλέκτη και τον ίδιο άξονα. Για να αφαιρέσετε τον εύκαμπτο άξονα από τη θήκη συμπλέκτη, τραβήξτε το κουμπί και αφαιρέστε τον. Για να αφαιρέσετε τον εύκαμπτο άξονα από τον ίδιο άξονα, αφαιρέστε το μπουλόνι και αφαιρέστε τον.
2. Τραβήξτε προς τα έξω τον εσωτερικό άξονα (1) από την εύκαμπτη επένδυση (2) και εφαρμόστε γράσο (Shell Alvania 2 ή ισοδύναμο) (3) στο εσωτερικό άξονα κάθε 25 ώρες λειτουργίας. (Αυθεντικό γράσο DOLMAR μπορεί να αγοραστεί από τον αντιπρόσωπο της DOLMAR.)



ΕΙΔΟΠΟΙΗΣΗ:

- Ο εύκαμπτος άξονας μπορεί να σπάσει εάν δεν εφαρμοστεί γράσο.
- Για την παράταση της διάρκειας ζωής των εξαρτημάτων, τοποθετήστε ξανά κάθε άκρο του εύκαμπτου άξονα στην αντίθεση πλευρά, δηλ. την πρόωγη πλευρά κινητήρα στην πλευρά μοχλού χειρισμού.

ΚΑΘΑΡΙΣΜΑ ΦΙΛΤΡΟΥ ΚΑΥΣΙΜΟΥ

ΠΡΟΕΙΔΟΠΟΙΗΣΗ: ΟΙ ΕΥΦΛΕΚΤΕΣ ΟΥΣΙΕΣ ΑΠΑΓΟΡΕΥΟΝΤΑΙ ΑΥΣΤΗΡΩΣ

Χρονικό διάστημα καθαρισμού και επιθεώρησης: Μηνιαία (κάθε 50 ώρες λειτουργίας)

Κεφαλή αναρρόφησης στο ρεζερβουάρ καυσίμου

Ελέγχετε το φίλτρο καυσίμου (1) περιοδικά. Για να ελέγξετε το φίλτρο καυσίμου, ακολουθήστε τα παρακάτω βήματα:

1. Αφαιρέστε το καπάκι του ρεζερβουάρ καυσίμου και αποστραγγίστε το καύσιμο για να αδειάσετε το ρεζερβουάρ. Ελέγξτε εάν υπάρχουν ξένα υλικά στο εσωτερικό του ρεζερβουάρ. Εάν υπάρχουν, αφαιρέστε τα.
2. Τραβήξτε την κεφαλή αναρρόφησης προς τα έξω χρησιμοποιώντας το συρματένιο άγκιστρο μέσα από το άνοιγμα ρεζερβουάρ.
3. Εάν το φίλτρο καυσίμου είναι λίγο φραγμένο, καθαρίστε το. Για να το καθαρίσετε, ανακινήστε απαλά και ακουμπήστε το στο καύσιμο. Για την αποφυγή πρόκλησης ζημιάς, μην το πιέζετε ή τρίβετε. Το καύσιμο που χρησιμοποιείται για τον καθαρισμό πρέπει να απορριφθεί σύμφωνα με τη μέθοδο που καθορίζουν οι κανονισμοί της χώρας σας.
Αν το φίλτρο καυσίμου γίνει σκληρό ή πολύ βουλωμένο, αντικαταστήστε το.
4. Μετά από τον έλεγχο, τον καθαρισμό ή την αντικατάσταση, εισαγάγετε το φίλτρο καυσίμου στο σωλήνα καυσίμου (3) και στερεώστε το με το σφικτήρα ελαστικού σωλήνα (2). Σπρώξτε το φίλτρο καυσίμου μέχρι τέρμα στο κάτω μέρος του ρεζερβουάρ καυσίμου.

Το βουλωμένο ή η κατεστραμμένο φίλτρο καυσίμου μπορεί να προκαλέσει ανεπαρκή παροχή καυσίμου και να μειώσει την ισχύ του κινητήρα. Αντικαταστήστε το φίλτρο καυσίμου τουλάχιστο κάθε τρεις μήνες για να διασφαλίσετε ότι είναι ικανοποιητική η παροχή καυσίμου στο καρμπυρατέρ.

ΑΝΤΙΚΑΤΑΣΤΑΣΗ ΤΟΥ ΣΩΛΗΝΑ ΚΑΥΣΙΜΟΥ

ΠΡΟΣΟΧΗ: ΟΙ ΕΥΦΛΕΚΤΕΣ ΟΥΣΙΕΣ ΑΠΑΓΟΡΕΥΟΝΤΑΙ ΑΥΣΤΗΡΩΣ

Χρονικό διάστημα καθαρισμού και επιθεώρησης: Καθημερινά (κάθε 10 ώρες λειτουργίας)

Αντικατάσταση: Ετήσια (κάθε 200 ώρες λειτουργίας)

Αντικαταστήστε τον σωλήνα καυσίμου (1) κάθε χρόνο, ανεξάρτητα από την συχνότητα χρήσης. Η διαρροή καυσίμου μπορεί να οδηγήσει στην πυρκαγιά. Εάν ανιχνευτεί η οποιαδήποτε διαρροή κατά την επιθεώρηση, αντικαταστήστε αμέσως την σωλήνα καυσίμου.

ΕΠΙΘΕΩΡΗΣΗ ΜΠΟΥΛΟΝΙΩΝ, ΠΑΞΙΜΑΔΙΩΝ ΚΑΙ ΒΙΔΩΝ

- Σφίξτε ξανά τα χαλαρά μπουλόνια, παξιμάδια κτλ.
- Ελέγξτε το σφίξιμο της τάπας καυσίμου και της τάπας λαδιού. Ελέγξτε την περίπτωση διαρροής καυσίμου και λαδιού.
- Αντικαταστήστε τα φθαρμένα εξαρτήματα με καινούργια για μια ασφαλή λειτουργία.

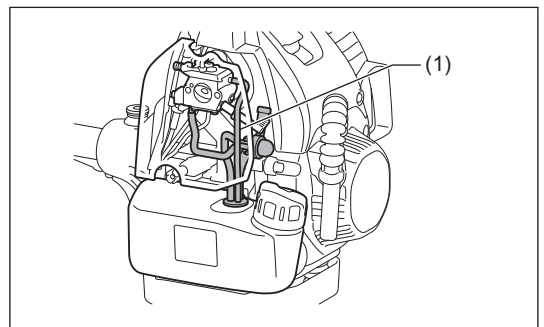
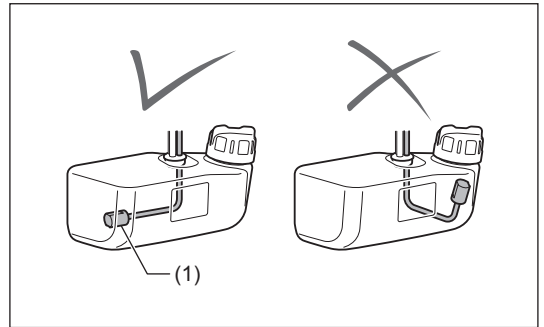
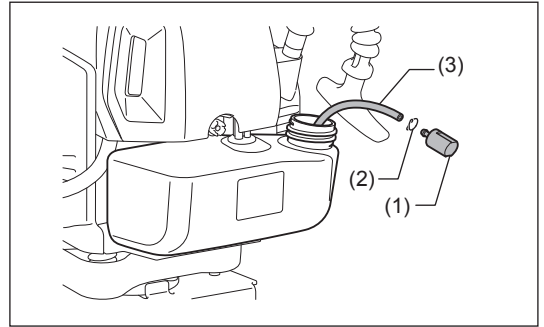
ΚΑΘΑΡΙΣΜΟΣ ΕΞΑΡΤΗΜΑΤΩΝ

- Πάντοτε να διατηρείτε τον κινητήρα καθαρό καθαρίζοντάς τον με ένα πανί.
- Καθαρίστε τα πτερύγια του κυλίνδρου από σκόνη ή βρομιά. Η κολλημένη σκόνη ή βρομιά στα πτερύγια θα προκαλέσει το σφήνωμα του πιστονιού.

ΑΝΤΙΚΑΤΑΣΤΑΣΗ ΦΛΑΝΤΖΩΝ ΚΑΙ ΣΤΟΙΧΕΙΩΝ ΣΥΝΑΡΜΟΛΟΓΗΣΗΣ

Αντικαταστήστε τις φλάντζες και τα στοιχεία συναρμολόγησης εάν έχει αποσυναρμολογηθεί ο κινητήρας.

Η οποιαδήποτε εργασία συντήρησης που δεν συμπεριλαμβάνεται και δεν περιγράφεται σε αυτό το εγχειρίδιο θα πρέπει να εκτελείται μόνο από τους εξουσιοδοτημένους αντιπροσώπους του σέρβις.



ΑΠΟΘΗΚΕΥΣΗ

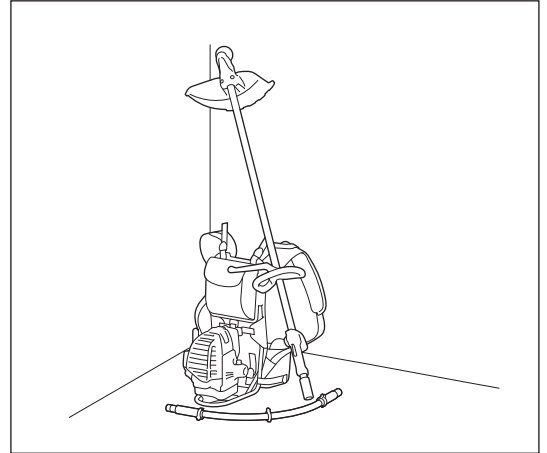


ΠΡΟΕΙΔΟΠΟΙΗΣΗ: Ο κινητήρας είναι ακόμη ζεστός αμέσως μετά το σταμάτημα του κινητήρα. Κατά την αποστράγγιση του καυσίμου, αφήστε αρκετό χρόνο ώστε να κρυώσει ο κινητήρας αφού σταματήσει. Αλλιώς μπορεί να προκληθεί έγκαυμα στο δέρμα και/ή φωτιά.



ΚΙΝΔΥΝΟΣ: Όταν το μηχάνημα μένει εκτός λειτουργίας για μεγάλο χρονικό διάστημα, αποστραγγίστε όλο το καύσιμο από το ρεζερβουάρ καυσίμου και το καρμπυρατέρ, και στην συνέχεια φυλάξτε το σε ένα ξηρό και καθαρό μέρος.

- Αποστραγγίστε το καύσιμο από το ρεζερβουάρ καυσίμου και το καρμπυρατέρ σύμφωνα με την παρακάτω διαδικασία:
 - 1) Αφαιρέστε το καπάκι του ρεζερβουάρ καυσίμου και αποστραγγίστε εντελώς το καύσιμο.
Εάν υπάρχει το οποιοδήποτε ξένο σώμα μέσα στο ρεζερβουάρ καυσίμου, αφαιρέστε το εντελώς.
 - 2) Τραβήξτε έξω το φίλτρο καυσίμου από την τρύπα ανεφοδιασμού χρησιμοποιώντας ένα σύρμα.
 - 3) Σπρώξτε την αντλία προέγχυσης έως ότου αποστραγγιστεί το καύσιμο από εκεί, και το αποστραγγισμένο καύσιμο να μπει μέσα στο ρεζερβουάρ καυσίμου.
 - 4) Τοποθετήστε το φίλτρο στο ρεζερβουάρ καυσίμου, και σφίξτε καλά το καπάκι του ρεζερβουάρ καυσίμου.
 - 5) Κατόπιν, συνεχίστε να λειτουργείτε τον κινητήρα έως ότου σταματήσει.
- Αφαιρέστε το μπουζί και ρίξτε αρκετές σταγόνες λαδιού κινητήρα μέσα στην τρύπα του μπουζί.
- Τραβήξτε με προσοχή το χερούλι του εκκινητήρα έτσι ώστε το λάδι του κινητήρα να απλωθεί πάνω από τον κινητήρα και συνδέστε το μπουζί.
- Τοποθετήστε το κάλυμμα στη μεταλλική λάμα.
- Γενικά, αποθηκεύστε το μηχάνημα όπως φαίνεται. Δώστε μεγάλη προσοχή στο πως αποθηκεύετε το μηχάνημα για να αποτραπεί η πτώση του ίδιου άξονα. Διαφορετικά, μπορεί να προκληθεί προσωπικός τραυματισμός.
- Διατηρήστε το αποστραγγισμένο καύσιμο μέσα σε ένα ειδικό δοχείο σε ένα καλά αεριζόμενο χώρο υπό σκιά.



Προσοχή μετά από μια παρατεταμένη αποθήκευση

- Πριν την εκκίνηση μετά από ένα παρατεταμένο διάστημα διακοπής, φροντίστε να αντικαταστήσετε το λάδι (ανατρέξτε στη Σ. 247). Το λάδι θα αλλοιωθεί κατά το διάστημα στο οποίο το μηχάνημα δεν βρίσκεται σε λειτουργία.

Χρόνος Λειτουργίας	Στοιχείο	Πριν από τη λειτουργία	Μετά τον ανεφοδι- ασμό καυσίμου	Καθημερινά (10 ώρες)	25 ώρες	50 ώρες	200 ώρες	Πριν από την αποθήκευση	Αντίστοιχη Σ
Λάδι κινητήρα	Επιθεώρηση	○							238
	Αντικατάσταση					○*1			247
Σφίξιμο εξαρτημάτων (μπουλόνι, παξιμάδι)	Επιθεώρηση	○							250
Ρεζερβουάρ καυσίμου	Καθάρισμα/ επιθεώρηση	○							—
	Αποστράγγιση καυσίμου							○*3	251
Μοχλός γκαζιού	Έλεγχος λειτουργίας		○						—
Διακόπτης στάσης	Έλεγχος λειτουργίας		○						247
Κοπτικό εργαλείο	Επιθεώρηση	○		○					237
Ταχύτητα ρελαντί	Έλεγχος/ ρύθμιση			○					244
Στοιχείο καθαρισμού αέρα	Καθαρίστε			○					248
Μπουζί	Επιθεώρηση			○					249
Ψύξη αεραγωγού και πτερυγίων κυλίνδρων	Καθάρισμα/ επιθεώρηση			○					250
Σωλήνας καυσίμου	Επιθεώρηση			○					250
	Αντικατάσταση						◎*2		250
Γράσο κιβωτίου ταχυτήτων	Ανεφοδιασμός				○				249
Εύκαμπτος άξονας	Γρασάρισμα/ αλλαγή κατεύθυνσης τοποθέτησης				○				249
Φίλτρο καυσίμου	Καθάρισμα/ αντικατάσταση					○			250
Διάκενο βαλβίδας (βαλβίδα εισαγωγής και βαλβίδα εξάτμισης)	Έλεγχος/ ρύθμιση						◎*2		—
Καρμπυρατέρ	Αποστράγγιση καυσίμου							○*3	251

*1 Εκτελέστε την αρχική αντικατάσταση μετά από 20 ώρες λειτουργίας.

*2 Για την επιθεώρηση των 200 ωρών, απευθυνθείτε σε ένα εξουσιοδοτημένο αντιπρόσωπο του σέρβις ή σε ένα συνεργείο.

*3 Μετά το άδειασμα του ρεζερβουάρ καυσίμου, συνεχίστε τη λειτουργία του κινητήρα για την αποστράγγιση του καυσίμου στο καρμπυρατέρ.

ΕΠΙΛΥΣΗ ΠΡΟΒΛΗΜΑΤΩΝ

Πριν ζητήσετε βοήθεια για επισκευές, ελέγξτε το πρόβλημα μόνοι σας. Εάν βρεθεί κάποια ανωμαλία, χειριστείτε το μηχάνημά σας σύμφωνα με τα όσα περιγράφονται σε αυτό το εγχειρίδιο. Ποτέ μην προσπαθήσετε να αποσυναρμολογήσετε το οποιοδήποτε εξάρτημα ενάντια σε όσα περιγράφονται. Για επισκευές, ελάτε σε επαφή με τον εξουσιοδοτημένο αντιπρόσωπο του σέρβις ή την τοπική αντιπροσωπεία.

Κατάσταση προβλήματος	Πιθανή αιτία (δυσλειτουργία)	Αποκατάσταση
Ο κινητήρας δεν ξεκινά.	Ο διακόπτης I-O είναι ρυθμισμένος στο STOP.	Θέστε το διακόπτη I-O στη ΛΕΙΤΟΥΡΓΙΑ.
	Αστοχία λειτουργίας της αντλίας προέγχυσης.	Σπρώξτε 7 με 10 φορές.
	Χαμηλή ταχύτητα τραβήγματος του κορδονιού του εκκινήτηρα.	Τραβήξτε πιο δυνατά.
	Έλλειψη καυσίμου.	Προσθέστε καύσιμο.
	Βουλωμένο φίλτρο καυσίμου.	Καθαρίστε.
	Λυγισμένος σωλήνας καυσίμου.	Ισιώστε το σωλήνα καυσίμου.
	Αλλοιωμένο καύσιμο.	Το αλλοιωμένο καύσιμο καθιστά την εκκίνηση πιο δύσκολη. Αντικαταστήστε με καινούργιο καύσιμο. (Συνιστώμενη αντικατάσταση: 1 μήνας)
	Υπερβολική αναρρόφηση καυσίμου.	Τοποθετήστε το μοχλό του γκαζιού από την ενδιάμεση ταχύτητα στην υψηλή ταχύτητα και τραβήξτε το χερούλι του εκκινήτηρα έως ότου να ξεκινήσει ο κινητήρας. Όταν ξεκινήσει ο κινητήρας, το κοπτικό εργαλείο αρχίζει να περιστρέφεται. Δώστε μεγάλη προσοχή στο κοπτικό εργαλείο. Εάν ο κινητήρας εξακολουθεί να μην ξεκινά, αφαιρέστε το μπουζί, στεγνώστε το ηλεκτρόδιο, και επανατοποθετήστε τα στην αρχική τους θέση. Στη συνέχεια, ξεκινήστε όπως έχει καθοριστεί προηγουμένως.
	Αποσυνδεδεμένο καπάκι του μπουζί.	Συνδέστε τον καλά.
	Ρυπαρό μπουζί.	Καθαρίστε.
	Μη φυσιολογικό διάκενο του μπουζί.	Ρυθμίστε το διάκενο.
	Άλλη ανωμαλία του μπουζί.	Αντικαταστήστε.
	Μη φυσιολογικό καρμπυρατέρ.	Ζητήστε την επιθεώρηση και συντήρηση.
	Το κορδόνι του εκκινήτηρα δεν μπορεί να τραβηχτεί.	Ζητήστε την επιθεώρηση και συντήρηση.
Μη φυσιολογικό σύστημα μετάδοσης.	Ζητήστε την επιθεώρηση και συντήρηση.	
Ο κινητήρας σταματά γρήγορα. Η ταχύτητα του κινητήρα δεν αυξάνεται.	Ανεπαρκές ζέσταμα.	Εκτελέστε την λειτουργία προθέρμανσης.
	Ο μοχλός του τσοκ είναι τοποθετημένος στην ΚΛΕΙΣΤΗ θέση παρότι έχει ζεσταθεί ο κινητήρας.	Θέστε στην ΑΝΟΙΚΤΗ θέση.
	Βουλωμένο φίλτρο καυσίμου.	Καθαρίστε.
	Ρυπαρό ή βουλωμένο φίλτρο αέρα.	Καθαρίστε.
	Μη φυσιολογικό καρμπυρατέρ.	Ζητήστε την επιθεώρηση και συντήρηση.
Μη φυσιολογικό σύστημα μετάδοσης.	Ζητήστε την επιθεώρηση και συντήρηση.	
Η μεταλλική λάμα δεν περιστρέφεται. ↓ Σταματήστε τον κινητήρα αμέσως.	Ξεσφιγμένο το παξιμάδι σύσφιξης της μεταλλικής λάμας.	Σφίξτε καλά.
	Κλαδάκια πιάστηκαν από τη μεταλλική λάμα ή από το κάλυμμα αποτροπής διασποράς.	Αφαιρέστε τα ξένα σώματα.
	Μη φυσιολογικό σύστημα μετάδοσης.	Ζητήστε την επιθεώρηση και συντήρηση.
Η κύρια μονάδα υφίσταται ανώμαλη δόνηση. ↓ Σταματήστε τον κινητήρα αμέσως.	Σπασμένη, λυγισμένη ή φθαρμένη μεταλλική λάμα.	Αντικαταστήστε τη μεταλλική λάμα.
	Ξεσφιγμένο το παξιμάδι σύσφιξης της μεταλλικής λάμας.	Σφίξτε καλά.
	Μετατόπιση του κυρτού τμήματος της μεταλλικής λάμας και του υποστηρικτικού εξαρτήματος της μεταλλικής λάμας.	Συνδέστε τον καλά.
Η μεταλλική λάμα δεν σταματά αμέσως. ↓ Σταματήστε τον κινητήρα αμέσως.	Μη φυσιολογικό σύστημα μετάδοσης.	Ζητήστε την επιθεώρηση και συντήρηση.
	Υψηλή περιστροφή του ρελαντί.	Ρυθμίστε.
	Αποσυνδεδεμένο καλώδιο γκαζιού.	Συνδέστε τον καλά.
Ο κινητήρας δεν σταματά. ↓ Θέστε τον κινητήρα σε λειτουργία στο ρελαντί και θέστε το μοχλό του τσοκ στην ΚΛΕΙΣΤΗ θέση.	Μη φυσιολογικό σύστημα μετάδοσης.	Ζητήστε την επιθεώρηση και συντήρηση.
	Αποκολλημένος συνδετήρας.	Συνδέστε τον καλά.
	Μη φυσιολογικό ηλεκτρικό σύστημα.	Ζητήστε την επιθεώρηση και συντήρηση.

Bu DOLMAR ürününü satın aldığınız için teşekkür ederiz. Uzun bir geliştirme programının ve yılların bilgi ve birikiminin bir sonucu olarak ortaya çıkan bu DOLMAR ürününü sizlere sunmaktan mutluluk duyuyoruz. Makinenin üstün performansta kullanılması için birçok konuyla ilgili ayrıntılı bilgilerin bulunduğu bu kılavuzu lütfen dikkatlice okuyun. Bu kılavuz, DOLMAR ürününden mümkün olan en iyi sonuçları almanıza yardımcı olacaktır.

**İçindekiler****Sayfası**

Semboller	254
Güvenlik talimatları	255
Teknik veriler.....	259
Parçaların gösterimi.....	260
Kolun takılması	261
Esnek şaftın takılması	262
Koruyucunun takılması	263
Metal bıçağın veya misinalı kesim başlığının takılması	265
Çalışmaya başlamadan önce	266
Makinenin doğru taşınması ve tutulması	268
Motoru çalıştırma ve durdurma.....	270
Kesici parçanın bilenmesi.....	273
Servis talimatları	275
Saklama.....	279
Sorun giderme	281

SEMBOLLER

Bu kullanım kılavuzunu okurken karşılaşılabileceğiniz sembeler aşağıda açıklanmıştır.

	Kullanım kılavuzunu okuyun ve uyarı ve güvenlik önlemlerini dikkate alın!		İnsanları ve hayvanları çalışma alanından uzak tutun!
	Gerekli önlemleri alın ve dikkatli olun!		Koruyucu baret, gözlük ve kulaklık kullanın!
	Yasak!		İzin verilen maksimum makine devri
	Mesafe bırakın!		Yakıt (Benzin)
	Sıçrayan yabancı madde tehlikesi!		Motorun manüel çalıştırılması
	Geri tepme!		Acil durdurma
	Sigara içmek yasaktır!		İlk Yardım
	Açık alev yasaktır!		AÇIK/ÇALIŞIYOR
	Mutlaka koruyucu eldiven takılmalıdır!		KAPALI/DURUYOR
	Altı kaymayan sağlam ayakkabılar giyin. Çelik uçlu güvenlik ayakkabıları tavsiye edilir!		

GÜVENLİK TALİMATLARI

Genel Talimatlar

- Makinenin nasıl çalıştırılacağını öğrenmek için bu kullanım kılavuzunu okuyun. Yetersiz bilgiye sahip kullanıcılar, yanlış kullanım neticesinde hem kendilerini, hem de başkalarını tehlikeye atarlar.
- Bu makinenin yalnızca deneyimli kişilere verilmesi önerilir. Her zaman kullanım kılavuzunu da makineyle birlikte verin.
- Makineyi ilk defa kullanacak olanlar, yan tırpanı tanıtması ve nasıl kullanılacağı konusunda temel bilgiler vermesi için satıcısına danışmalıdır.
- Çocuklar ve 18 yaşının altındaki gençlerin bu makineyi kullanmasına izin verilmemelidir. Ancak 16 yaşının üzerindeki gençler bu makineyi deneyimli bir eğitmenin gözetiminde yalnızca eğitim amacıyla kullanılabilir.
- Bu makineyi çok dikkatli ve titiz bir şekilde kullanın.
- Sadece fiziksel durumunuz iyiye kullanın. Tüm işlerinizi sakın ve dikkatli bir şekilde yürütün. Kullanıcı başkaları için de sorumluluğu kabul etmelidir.
- Bu makineyi kesinlikle alkol, uyuşturucu veya ilaç kullandıktan sonra veya kendinizi yorgun veya hasta hissediyorsanız kullanmayın.
- Bazı ulusal yönetmelikler makinenin kullanımını kısıtlayabilir.

Makinenin amaçlanan kullanımı

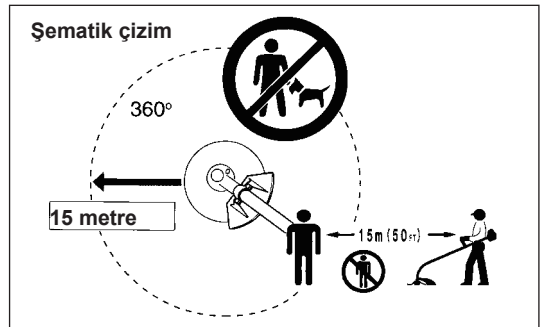
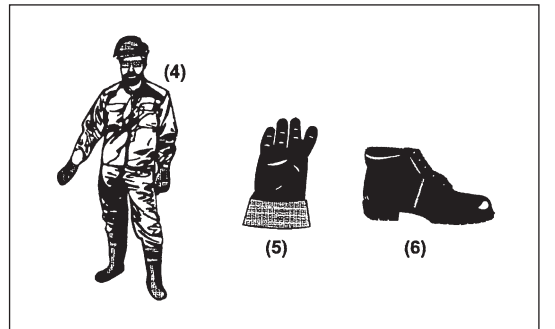
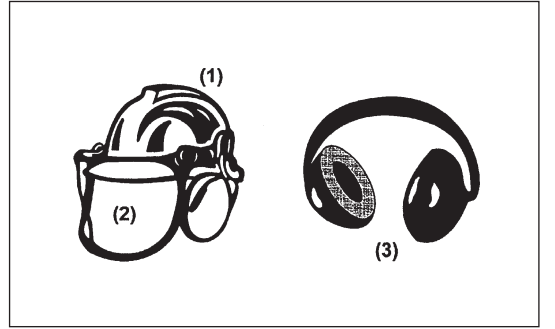
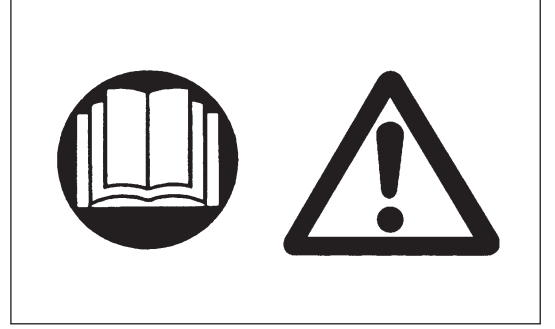
- Bu makine yalnızca çim, dal, çalı ve ağaçların altındaki küçük bitkilerin kesilmesi için tasarlanmıştır. Kenar kesimi veya çit kesmek gibi başka hiçbir amaçla kullanılmamalıdır, aksi takdirde yaralanmalara neden olabilir.

Kişisel koruyucu ekipmanlar

- Giyilen kıyafet işlevsel ve uygun olmalı, yani çalışmanıza engel teşkil etmeyecek ölçüde dar olmalıdır. Çalılara ya da fundalara takılabilecek aksesuarlar ya da bol giysiler kullanmayın.
- Baş, göz, el ve ayak yaralanmalarını önlemek ve kulaklarınızı korumak için, bu makinenin çalıştırılması sırasında aşağıdaki koruyucu ekipmanlar ve koruyucu kıyafetler kullanılmalıdır.
- Üzerinize bir şey düşme riski varsa mutlaka koruyucu baret takın. Koruyucu baret (1), olası hasarlara karşı düzenli aralıklarla kontrol edilmeli ve en geç 5 yılda bir değiştirilmelidir. Yalnızca onaylı koruyucu baretleri kullanın.
- Koruyucu baretin siperliği (2) (veya alternatif olarak koruyucu gözlükler) yüzünüzü sıçrayan yabancı madde ve taşlara karşı koruyacaktır. Göz yaralanmalarını önlemek için çalışma sırasında mutlaka koruyucu gözlük veya siper kullanın.
- Olası duyma bozukluklarını önlemek için koruyucu kulaklık (3), kulak tıkacı vs. gibi gürültüye karşı koruyucu ekipmanlar kullanın.
- İş önlüğü (4) sizi sıçrayan taşlara ve yabancı maddelere karşı koruyacaktır. Kullanıcının iş önlüğü giymesi şiddetle tavsiye edilir.
- Eldiven (5) koruyucu ekipmanlardan biridir ve çalışma sırasında mutlaka takılmalıdır.
- Makineyi kullanırken, daima altı kaymayan sağlam ayakkabılar (6) giyin. Bu, yaralanmaları önler ve yere sağlam basmanızı sağlar.

Benzinli yan tırpanın çalıştırılması

- Çalışılan alanın en az 15 metre yakınında çocuk ya da başka insanlar olmadığından emin olun, ayrıca çalışılan çevrede hiçbir hayvan olmamasına da özen gösterin.
- Çalışmaya başlamadan önce, makinenin güvenli çalıştığını kontrol edin: Kesici parçanın güvenli olduğunu, kısma mandalının kolay çalıştığını ve kısma mandalı kilidinin işlevini doğru şekilde yerine getirdiğini kontrol edin.
- Kesici parça rölanti hızındayken asla hareket ettirilmemelidir. Şüphelendiğiniz ayarlar hakkında satıcınıza danışın. Kolların temiz ve kuru olduğundan emin olun ve başlatma/durdurma anahtarının işlevini test edin.

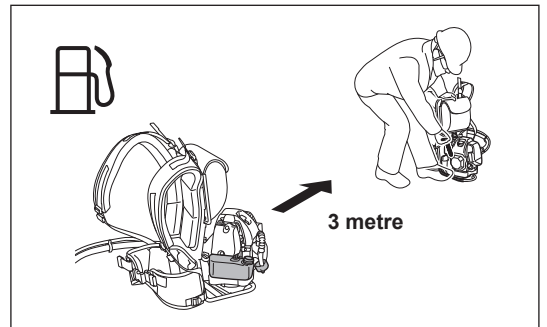
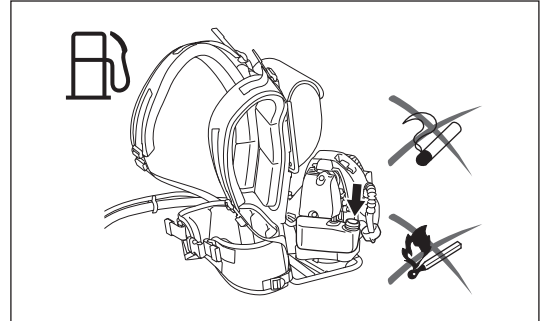
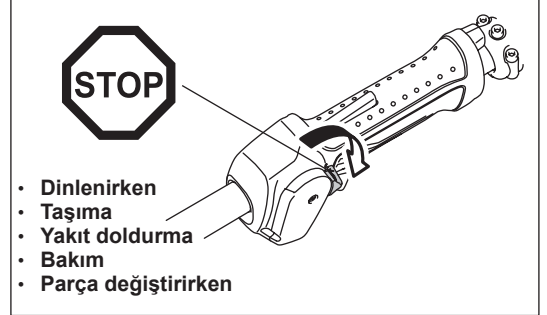
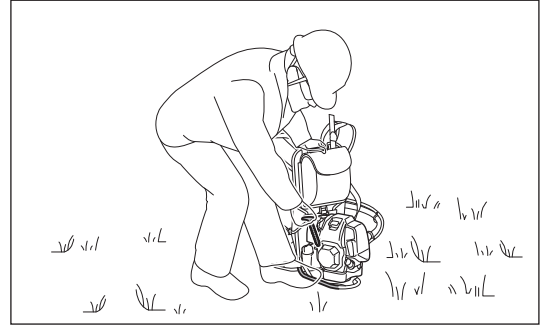


Benzinli yan tırpanı mutlaka talimatlara uygun olarak çalıştırın.

- Motoru çalıştırmak için başka bir yöntem kullanmayın!
- Benzinli yan tırpanı ve parçalarını yalnızca belirtilen uygulamalarda kullanın.
- Motoru yalnızca montaj eksiksiz olarak tamamlandıktan sonra çalıştırın. Makinenin çalıştırılmasına yalnızca tüm gerekli aksesuarlar takıldıktan sonra izin verilmelidir!
- Makineyi kullanmaya başlamadan önce, kesici parçanın dal, taş vb. gibi sert cisimlere temas etmediğinden emin olun, aksi takdirde çalıştırma sırasında kesici parça dönecektir.
- Herhangi bir motor probleminde motoru derhal durdurun.
- Kesici parçanın taşa veya benzeri sert bir cisme çarpması halinde, derhal motoru durdurun ve kesici parçayı kontrol edin.
- Kesici parçada hasar olup olmadığını sık ve düzenli olarak kontrol edin (tıkkatma-gürültü testi kullanılarak kılcal çatlaklar tespit edilebilir).
- Cihaz ağır bir darbe alır ya da düşerse, çalışmaya devam etmeden önce durumunu kontrol edin. Yakıt kaçağı olup olmadığını tespit etmek için yakıt sistemini ve arıza olup olmadığını tespit etmek için kontrol ve güvenlik cihazlarını kontrol edin. Herhangi bir hasar ya da şüpheli bir durum varsa, inceleme ve tamir için yetkili servis merkezimize başvurun.
- Benzinli yan tırpanı yalnızca kayış takılıyken çalıştırın ve çalıştırmadan önce kayışın doğru şekilde ayarlandığından emin olun. Kullanım sırasında yorgunluğa veya ağrıya neden olmaması için kayışın kullanıcıya göre ayarlanması çok önemlidir. Makineyi kesinlikle kullanım sırasında tek elle tutmayın.
- Kullanım sırasında benzinli yan tırpanı daima iki elinizle birden tutun. Her zaman yere sağlam ve dengeli basın.
- Makineyi egzoz gazlarını solumayacak şekilde çalıştırın. Makineyi kesinlikle kapalı ortamlarda çalıştırmayın (gaz zehirlenmesi riski). Karbon monoksit kokusuz bir gazdır.
- İnsanların veya makinenin zarar görmesini önlemek için, dinlenirken veya makinenin başından ayrılırken motoru durdurun ve güvenli bir yere kaldırın.
- Benzinli yan tırpanı sıcakken kesinlikle kuru otların veya tutuşabilir maddelerin üzerine bırakmayın.
- Motoru çalıştırmaya başlamadan önce daima onaylı kesici parça muhafazasını makineye takın. Aksi takdirde kesici parçayla temas ciddi yaralanmalara sebep olabilir.
- Makineyle birlikte verilen tüm koruyucu kurulumlar ve muhafazalar mutlaka çalışma sırasında kullanılmalıdır.
- Çıkış susturucusu arızalı bir motoru kesinlikle çalıştırmayın.
- Makineyi taşırken motoru kapalı konuma getirin.
- Makineyi taşırken mutlaka metal bıçağın kapağını takın.
- Araçla taşırken, olası yakıt kaçaıklarını önlemek için makinenin güvenli şekilde yerleştirildiğinden emin olun.
- Nakliye öncesi, yakıt deposunun tamamen boş olduğundan emin olun.
- Makineyi kamyonundan indirirken, Motoru yere düşürmemeye çalışın, aksi takdirde yakıt deposu ciddi şekilde hasar görebilir.
- Acil durumlar dışında makineyi kesinlikle yere atmayın veya bırakmayın; aksi takdirde makine ciddi şekilde hasar görebilir.

Yakıt doldurma

- Yakıt doldururken motoru kapatın, makineyi açık alevlerden uzaklaştırın ve sigara içmeyin.
- Madeni yağ ürünlerinin cildinize temas etmesine izin vermeyin. Yakıt buharını solumayın. Yakıt doldururken daima koruyucu eldiven takın. Koruyucu kıyafetlerinizi düzenli aralıklarla değiştirin ve temizleyin.
- Toprağın kirlenmesini önlemek (çevreyi korumak) için yakıt veya yağ dökülmemesine dikkat edin. Yakıt dökülürse, benzinli yan tırpanı derhal temizleyin.
- Yakıtın kıyafetlerinize bulaşmasına izin vermeyin. Üzerine yakıt dökülürse (kıyafetlerinizin tutuşmaması için) kıyafetlerinizi derhal değiştirin.
- Yakıt kapağının sağlam şekilde kapandığından ve yakıt kaçmadığından emin olmak için düzenli aralıklarla kontrol edin.
- Yakıt deposu kapağını dikkatlice sıkın. Motoru çalıştırmak için yerinizi değiştirin (yakıt doldurduğunuz yerden en az 3 metre uzağa gitmelisiniz).
- Kesinlikle kapalı odalarda yakıt doldurmayın. Yakıt buharları zemin hizasında toplanır (patlama tehlikesi).
- Yakıtları yalnızca onaylı kaplarda taşıyın ve saklayın. Saklanan yakıt çocukların erişemeyeceğinden emin olun.
- Yakıtın dökülmesini önlemek için daima sağlam, düz bir yüzeyde dolum yapın.



Çalıştırma yöntemi

- Yalnızca iyi aydınlatılan ve görüşün açık olduğu yerlerde kullanın. Kış mevsiminde kaygan veya ıslak alanlara, buz ve kara dikkat edin (kayma riski). Her zaman yere sağlam ve dengeli basın.
- Asla bel hizanızın üzerinde kesim yapmayın.
- Kesinlikle merdiven üzerinde çalışmayın.
- Kesim yapmak üzere ağaca çıkmayın.
- Dengesiz zeminler üzerinde kesinlikle çalışmayın.
- Çalışma alanı içerisinde bulunan kum, taş, çivi vs. gibi yabancı maddeleri temizleyin.
Yabancı maddeler, kesici parçaya zarar verebilir ve kesici parçanın tehlikeli şekilde geri tepmesine neden olabilir.
- Kesim işlemine başlamadan önce, kesici parçanın tam çalışma hızına ulaşmasını bekleyin.
- Metal bıçakları kullanırken, aleti, tırpan kullanır gibi, sakın bir şekilde sağdan sola bir yarım daire çizerek döndürün.
Kesici parça ile muhafaza arasına çim veya dallar sıkışırsa, temizlemeye çalışmadan önce mutlaka makineyi durdurun. Aksi takdirde bıçağın istem dışı dönmesi ciddi yaralanmalara neden olabilir.
- Yorgunluk nedeniyle kontrol kaybı oluşmasını önlemek için dinlenin. Her saat başı 10 ila 20 dakika mola vermenizi öneririz.
- Çalışma sırasında kesici parçanın yere temas etmesine izin vermeyin. Aksi takdirde, kesici parça bir nesneye çarparak yaralanmalara neden olabilir.
- Çalışma sırasında metal bıçağı zemine paralel tutun.

Kesici Parçalar

- Gerçekleştireceğiniz iş için uygun kesici parçayı kullanın.
Misinalı kesim başlıkları (misinalı tırpan başlıkları) kesilmiş çimlerin biçilmesi için uygundur.
Metal bıçaklar ot, uzun çim, çalı, funda, ağaçların altındaki küçük bitkiler, çalılıklar ve benzerlerini kesmek için uygundur.
Çok parçalı metal döner zincirler ve sap parçalayıcı da dahil olmak üzere, başka bıçakları asla kullanmayın. Aksi takdirde ciddi yaralanmalar meydana gelebilir.
- Metal bıçaklar kullanırken, "geri tepme" oluşmamasına dikkat edin ve kazara oluşabilecek geri tepmelere karşı daima hazırlıklı olun. Bkz. "Geri tepme" bölümü.

Geri tepme (bıçağın saplanması)

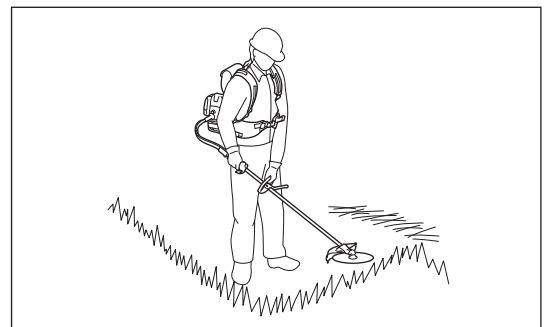
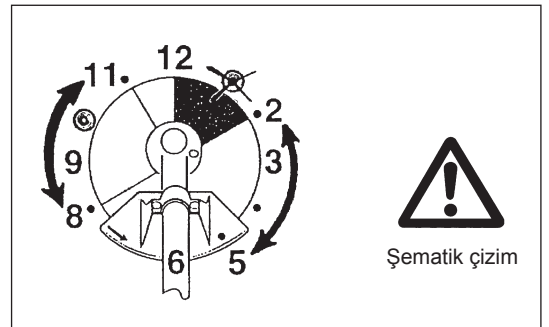
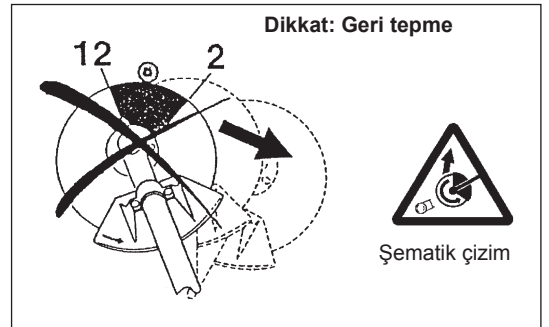
- Geri tepme (bıçağın saplanması), takılan veya sıçrayan metal bıçağı verilen ani bir tepkidir. Bu durum meydana geldiğinde, makine yana veya operatöre doğru büyük bir kuvvetle sıçrar ve ciddi yaralanmalara neden olabilir.
- Geri tepme özellikle bıçağın saat 12 ila saat 2 arasında kalan bölümünün çapı 3 cm veya daha geniş olan sert cisimlere, çalılara ve ağaçlara uygulanması sonucunda meydana gelir.
- Geri tepmeyi önlemek için:
 - Bıçağın saat 8 ila saat 11 arasında kalan bölümünü kullanın.
 - Kesinlikle bıçağın saat 12 ila saat 2 arasında kalan bölümünü kullanmayın.
 - Kullanıcı eğitilmiş ve deneyimli değilse, kesinlikle bıçağın saat 11 ila saat 12 ve saat 2 ila saat 5 arasında kalan bölümlerini kullanmayın. Bıçağın bu bölümlerinin kullanılması tamamen operatörün risk ve sorumluluğundadır.
 - Metal bıçakları kesinlikle çit, duvar, ağaç kütükleri ve taşlar vb. gibi sert cisimlerin yakınında kullanmayın.
 - Metal bıçakları kenar kesimi veya çit budama vb. gibi işlemler için düşey olarak kullanmayın.

Titreşim

- Dolaşım sistemi zayıf olan kişiler aşırı titreşime maruz kaldıklarında kan damarları veya sinir sisteminde hasar oluşabilir. Titreşim parmaklarda, ellerde ve bileklerde şu semptomlara neden olabilir: "Uyuşma"(hissizlik), karıncalanma, ağrı, batma hissi, cilt renginin veya cildin değişmesi. Bu semptomlardan biri ortaya çıkarsa, bir doktora görünün!
- "Beyaz parmak hastalığı" riskini düşürmek için, çalışma sırasında ellerinizi sıcak tutun ve makine ve aksesuarlarının bakımını gerektiği şekilde yapın.

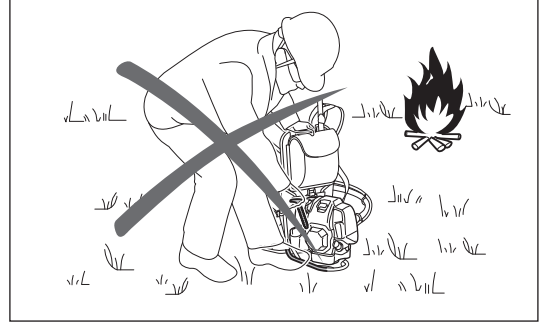
Bakım talimatları

- Makinenizin servisini, mutlaka Yetkili Servis Merkezimizde yalnızca orijinal yedek parçalar kullanılarak yaptırın. Yanlış onarım ve kötü bakım makinenin ömrünü kısaltabilir ve kaza riskini artırabilir.
- Çalışmaya başlanılmadan önce makinenin, özellikle de kesici parça koruyucu aletlerinin ve kayışın durumu kontrol edilmelidir. Özellikle metal bıçakların doğru şekilde bilendiği dikkatlice kontrol edilmelidir.
- Kesici parçaları değiştirirken veya bilerken ve ayrıca ataşmanı veya kesici parçayı temizlerken mutlaka motoru durdurun ve buji konektörünü çıkartın.



Hasarlı kesici parçaları kesinlikle düzleştirmeye çalışmayın veya kaynak yapmayın.

- Çevreye duyarlı olun. Kirliliğin ve gürültü emisyonunun azaltılması için kısma mandalını gereksiz yere kullanmaktan kaçının. Karbüratörü doğru şekilde ayarlayın.
- Makineyi düzenli aralıklarla temizleyin ve tüm vida ve somunlarının sağlam şekilde sıkıldığından emin olun.
- Çıplak alevlerin yakınında kesinlikle makineyi çalıştırmayın veya servis çalışması yapmayın.
- Makineyi daima yakıt deposu boşaltıldıktan sonra kilitli odalarda muhafaza edin.
- Makinenin temizlenmesi, servisi ve muhafaza edilmesi sırasında mutlaka metal bıçağın kapağını takın.



İlgili ticaret birlikleri ve sigorta şirketleri tarafından belirtilen kaza önleme talimatlarını dikkate alın. Güvenliğinizi riske atmamak için, makinede kesinlikle değişiklik yapmayın.

Kullanıcı tarafından gerçekleştirilecek bakım veya onarım çalışmaları yalnızca bu kullanım kılavuzunda açıklanan işlemlerle sınırlıdır. Diğer tüm çalışmalar Yetkili Servis Personeli tarafından gerçekleştirilecektir. Yalnızca DOLMAR tarafından üretilen ve tedarik edilen orijinal yedek parçaları ve aksesuarları kullanın.

Onaylanmamış aksesuar ve parçaların kullanılması kaza riskini artırır.

DOLMAR, onaylanmamış kesici parçaların kullanımından ve cihaz, kesici parça veya aksesuarların takılmasından kaynaklanabilecek kaza ve hasarlardan dolayı sorumluluk kabul etmeyecektir.

İlk Yardım

Bir kaza durumuna karşı ilk yardım çantasının kesim çalışmasının yapıldığı yere yakın olduğundan emin olun. İlk yardım kutusundan bir şey alındığında derhal yerine yenisini koyun.

Yardım isterken, lütfen şu bilgileri verin:

- Kazanın yeri
- Ne olduğu
- Yaralı kişi sayısı
- Yaralanma tipi
- Adınız



Yalnızca Avrupa ülkeleri için

EC Uygunluk Beyanı

Makita aşağıdaki makine(ler) ile ilgili şu hususları beyan eder:

Makine Adı: Benzinli Sırt Modeli Yan Tırpan
Model No./ Tipi: MS-4300.4 R

Şu Avrupa Yönergelerine uygundur:

2000/14/EC, 2006/42/EC

Şu standartlara veya standartlaştırılmış belgelere uygun olarak üretilmiştir:
EN ISO 11806-2

2006/42/EC standartlarına uygun teknik dosya şuradan elde edilebilir:

Makita, Jan-Baptist Vinkstraat 2, 3070, Belçika

2000/14/EC Direktifinin gerektirdiği uygunluk değerlendirme prosedürü Ek V'e uygundur.

(Misinalı kesim başlığı ile)

Ölçülen ses güç seviyesi: 110,6 dB

Beklenen ses güç seviyesi: 111 dB

(Kesici bıçakla)

Ölçülen ses güç seviyesi: 104,1 dB

Beklenen ses güç seviyesi: 105 dB

1.9.2014

Yasushi Fukaya
Müdür

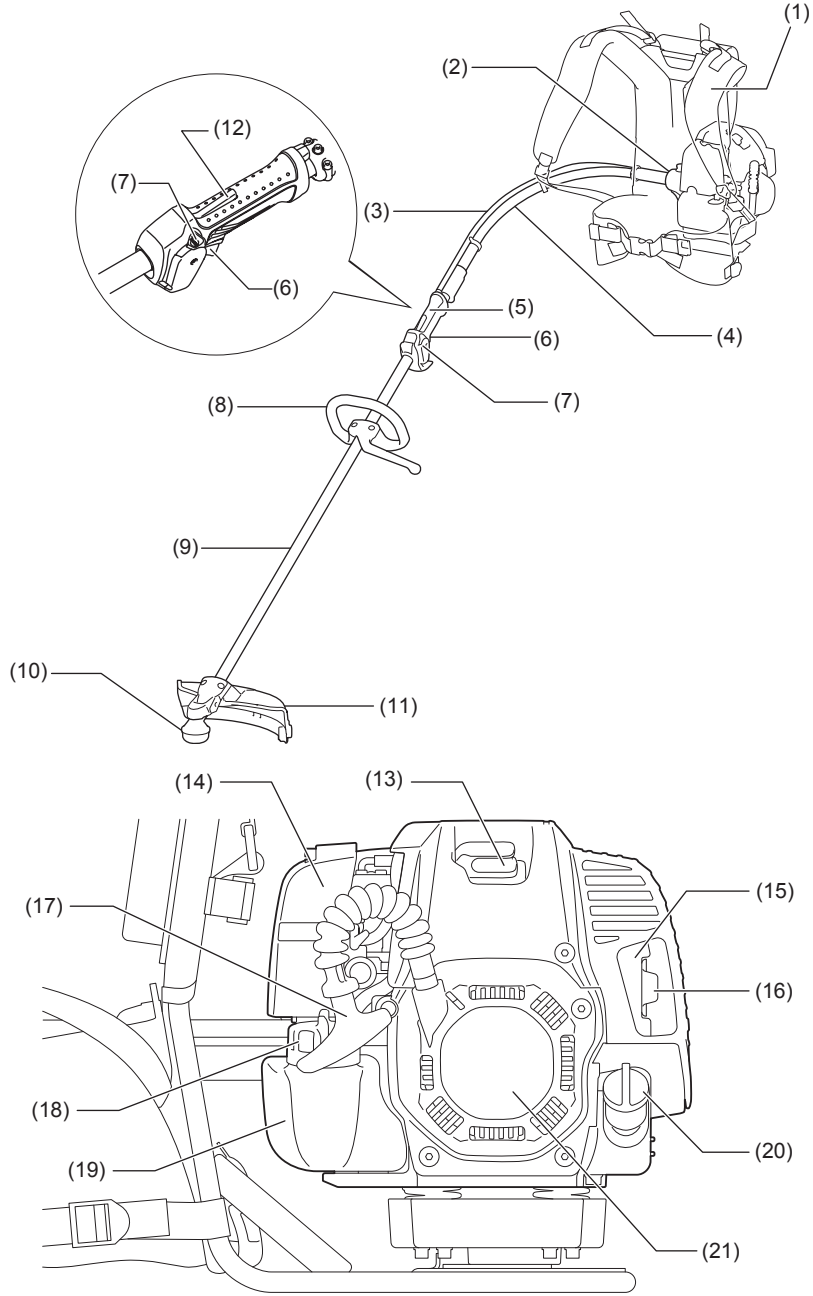
Makita, Jan-Baptist Vinkstraat 2, 3070, Belçika

TEKNİK VERİLER

Model		MS-4300.4 R		
Kol tipi		Yuvarlak kol		
Boyutlar: uzunluk x genişlik x yükseklik (esnek / düz şaft parçası olmadan)		mm	358 x 280 x 587	
Ağırlık (plastik muhafaza ve kesici parça olmadan)		kg	12,0	
Hacim (yakıt deposu)		L	0,8	
Hacim (yağ deposu)		L	0,1	
Motor hacmi		cm ³	43,0	
Maksimum motor performansı		kW	7.500 dak ⁻¹ 'de 1,5	
Önerilen maks. mil devrinde motor devri		dak ⁻¹	10.500	
Maksimum mil devri (karşılık gelen)		dak ⁻¹	7.200	
Rölanti devri		dak ⁻¹	3.000	
Kavrama devri		dak ⁻¹	4.000	
Karbüratör		Diyafram tipi		
Buji		tipi	NGK CMR6A	
Elektrot boşluğu		mm	0,7 – 0,8	
		KESİCİ BİÇAK	MİSİNALI KESİM BAŞLIĞI	
ISO 22867'ye göre titreşim	Sağ kol (Arka sap)	$a_{TV\ eq}$ m/s ²	2,7	2,4
		Belirsizlik K	0,8	0,7
	Sol kol (Ön sap)	$a_{TV\ eq}$ m/s ²	3,2	3,4
		Belirsizlik K	1,7	1,0
ISO 22868'e göre ortalama ses basıncı seviyesi		$L_{PA\ eq}$ dB (A)	83,5	92,5
		Belirsizlik K	1,1	1,7
ISO 22868'e göre ortalama ses gücü seviyesi		$L_{WA\ eq}$ dB (A)	104,1	110,6
		Belirsizlik K	1,1	0,7
Yakıt		Otomotiv mazotu (petrol)		
Motor Yağı		API derecesi SF sınıfı ve üzeri SAE 10W-30 yağ (4 zamanlı otomobil motoru yağı)		
Kesici parçalar (kesici bıçak çapı)		mm	440 (misinalı kesim başlığı ile), 255 (3 dişli bıçak ile), 257 (3 dişli bıçak ile), 305 (2 dişli bıçak ile)	
Dişli oranı		13/19		

- Sürekli yapılan araştırma ve geliştirmelerden dolayı, burada belirtilen özellikler önceden bildirilmeksizin değiştirilebilir.
- Özellikler ülkeden ülkeye değişebilir.

PARÇALARIN GÖSTERİMİ



1. Kayış	2. Kavrama kutusu	3. Kontrol kablosu	4. Esnek şaft
5. Arka sap	6. Kısa mandalı	7. I-O anahtarı (açma/kapatma)	8. Kol
9. Düz şaft	10. Dişli kutusu	11. Koruyucu (Kesici parça muhafazası)	12. Kilitleme mandalı
13. Buji	14. Hava temizleyici	15. Egzoz susturucusu	16. Egzoz borusu
17. Marş kolu	18. Yakıt deposu kapağı	19. Yakıt deposu	20. Yağ kapağı
21. Manüel marş			

KOLUN TAKILMASI

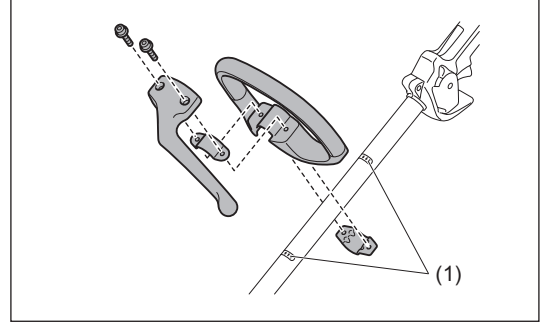
⚠ DİKKAT:

- Makine üzerinde herhangi bir çalışma yapmadan önce, mutlaka motoru durdurun ve buji üzerindeki buji konektörünü çıkartın.
- Daima koruyucu eldiven takın!

⚠ DİKKAT:

- Motoru yalnızca tamamen monte ettikten sonra çalıştırın.

- Yuvarlak kolu iki adet vidayla şafta sabitleyin.
- Kollar arasında doğru mesafenin korunması için, kolu şaft üzerindeki ok işaretleri (1) arasına yerleştirin.



ESNEK ŞAFTIN TAKILMASI

Esnek şaftın takılması

1. Cıvata (1) düz şaftın (2) ucundan çıkarın.
2. Kapağı esnek şafttan çıkarın.

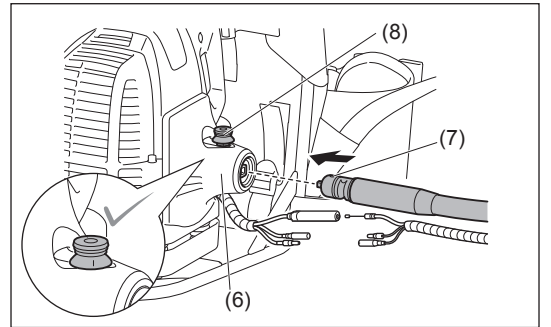
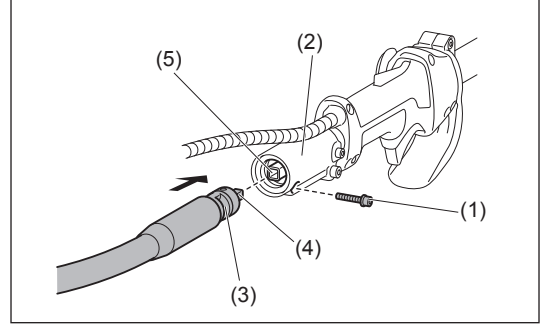
NOT:

- Kapağı kaybetmeyin. Esnek şaftı çıkarırken daima kapağı takın.
3. Esnek şaftın girintili kısmı (3) aşağıya bakacak şekilde esnek şaftı çevirin.
 4. Kare şeklindeki iç şaftı (4) bağlantı deliğiyle (5) aynı hizaya getirin. Esnek şaftın ucunu boru tutucunun içine doğru, sonuna kadar itirin.
 5. Cıvatayla (1) sıkıştırın.

ÖNEMLİ NOT:

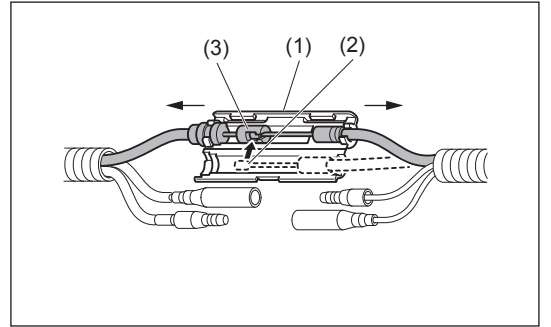
- Esnek şaftı yerleştirmek zor oluyorsa, kare şeklindeki iç şaftı (4) yeniden hizalayın.
 - İç şaftı 35 mm'den daha fazla çekmeyin.
6. Esnek milin diğer ucundaki deliği (7) kavrama kutusundan (6) topuzuyla (8) aynı hizaya getirin ve esnek mili kavrama muhafazası içine yerleştirin.
 7. Topuz esnek şaftın deliğine yerleştiğinde klik sesi geldiğinden emin olun.

Esnek şaftı kavrama kutusundan çıkarmak için, topuzu çekin ve çıkarın.



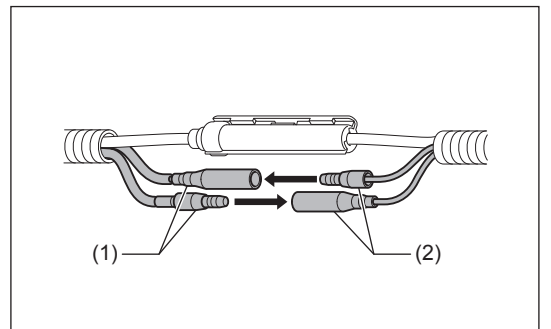
Kontrol kablosunun bağlanması

1. Kontrol kablosunun kontrol kolu tarafındaki ucunu (2), motordan gelen uca (3) takın.
2. Kontrol kolu tarafındaki kontrol kablosunu konektörün (1) içine yerleştirin. Daha sonra konektörü kapatın.
3. Kısmı mandalını çektiğinizde karbüratörün eş zamanlı olarak hareket ettiğinden emin olun.



Öncü ünitenin bağlanması

Motor tarafındaki öncü üniteleri (1), kontrol kolu tarafındaki öncü ünitelere (2) bağlayarak her bir erkek ve dişi ucun bağlanmasını sağlayın.

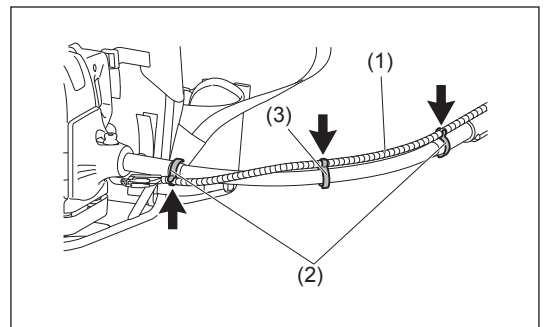


Kontrol kablosunun sabitlenmesi

Kontrol kablosunu (1), şekilde gösterildiği gibi, iki kenetleyiciyi (2) ve bir diğer kenetleyiciyi (3) kullanarak esnek mile sabitleyin.

⚠ DİKKAT:

- Kontrol kablosunun esnek şaftta düzgün bir şekilde takıldığından emin olun. Gevşek kablo dal vb. nesnelere takılabilir ve yaralanmalar meydana gelebilir.
- Kontrol kablosunu esnek şaftın etrafına dolamayın. Aksi takdirde kısma düzgün çalışmayabilir.



KORUYUCUNUN TAKILMASI

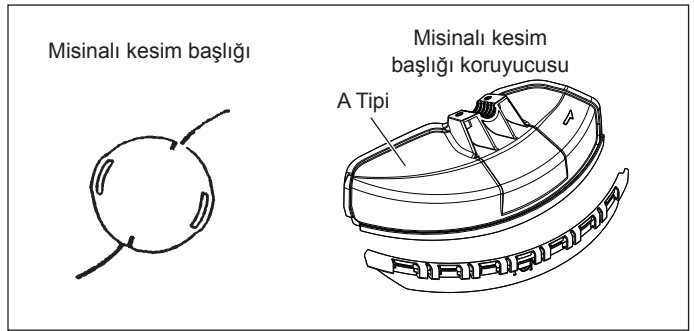
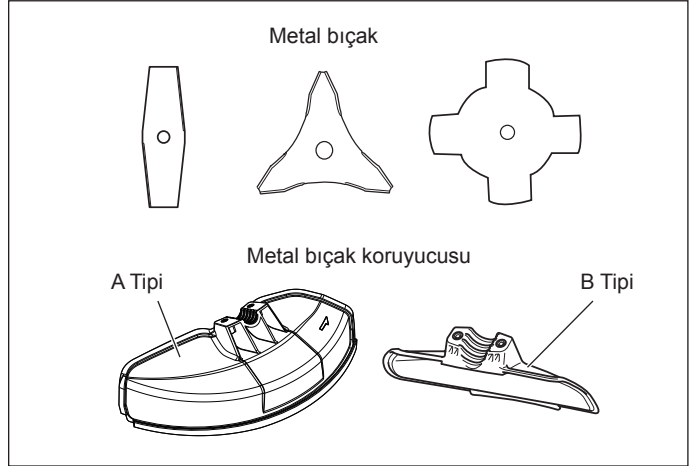
İlgili güvenlik şartlarının sağlanması için, yalnızca tabloda belirtilen makine/koruyucu kombinasyonları kullanılmalıdır.

⚠ DİKKAT:

- Kaza önleme yönetmeliklerinin yerine getirilmesi ve kendi güvenliğiniz için mutlaka uygun koruyucu takılmalıdır. Makinenin, muhafazası takılmadan çalıştırılmasına kesinlikle izin verilmemelidir. Testere bıçakları takılıyken başka bir kombinasyon kullanmayın.

NOT:

- Standart kesici parça kombinasyonu ülkeden ülkeye değişir.



Metal bıçaklar için

⚠ DİKKAT:

- Kenetleyici ve koruyucu arasındaki boşluğun sabit olması için, koruyucuyu sabitleyen civataların eşit bir şekilde sıkıştırılmış olduğundan emin olun. Aksi takdirde koruyucu belirtildiği gibi çalışmayabilir.

(A Tipi koruyucu için)

Koruyucuyu (3) iki M6x30 civatayla (1) kenetleyiciye (2) sabitleyin.

(B Tipi koruyucu için)

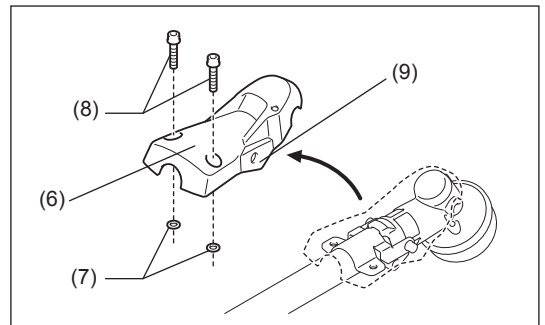
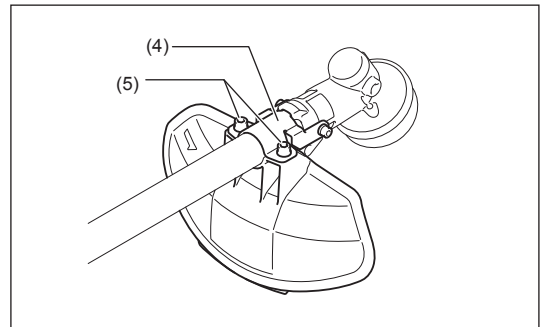
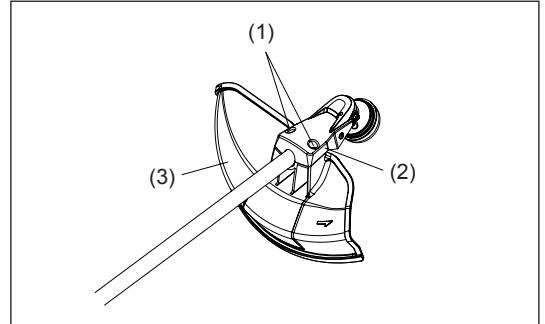
Koruyucuyu iki M6x18 civatayla (5) kenetleyiciye (4) sabitleyin.

Koruyucu kapağı (6) mile yerleştirilmişse, ilk önce kapağı aşağıda anlatıldığı şekilde çıkarın.

1. Pulları (7) ve M6x30 civataları (8) koruyucu kapağından çıkarın.
2. Kanatçıyı (9) hafifçe açarak koruyucu kapağını çıkarın.

NOT:

- B Tipi koruyucuyu A Tipi ile değiştirirken koruyucuyu takmadan önce koruyucu kapağını, M6x30 civataları ve pulları mile takın.

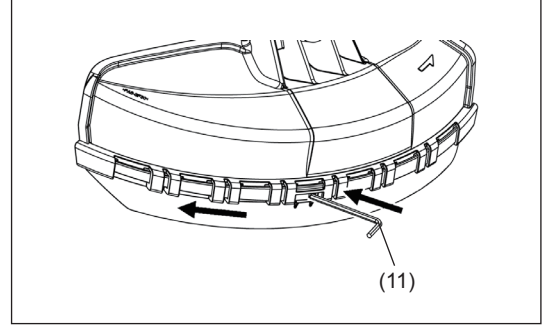
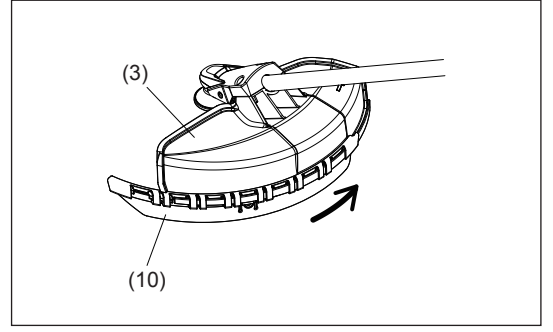


Plastik kesim başlığı için

- Plastik kesim başlığı koruyucusunu (10) plastik kesim başlığı koruyucusuna monte edilen A Tipi metal Bıçak Koruyucusuna (3) taktığınızdan emin olun.
- Misinalı kesim başlığı koruyucusunu (10) metal bıçak koruyucusunun (3) kenarından kaydırarak yerine oturtun.
- Misinalı kesim başlığı koruyucusu (10) üzerinde bulunan ve misinanın kesilmesini sağlayan kesiciye yapıştırılmış olan bandı çıkartın.

⚠ DİKKAT:

- Misinalı kesim başlığı koruyucusunu (10) bastırarak yerine tam olarak oturduğundan emin olun.
Misinanın kesilmesi için kullanılan kesiciyle kendinizi yaralamamaya dikkat edin.
- Misinalı kesim başlığı koruyucusunu (10) çıkarmak için, metal bıçak koruyucusu (3) üzerindeki girintiye bir alyan anahtarı (11) yerleştirin ve alyan anahtarını bastırarak misinalı kesim başlığı koruyucusunu (10) kaydırın.



METAL BIÇAĞIN VEYA MİSİNALI KESİM BAŞLIĞININ TAKILMASI

Orijinal DOLMAR metal bıçaklar veya misinalı kesim başlığı kullanıldığından emin olun.

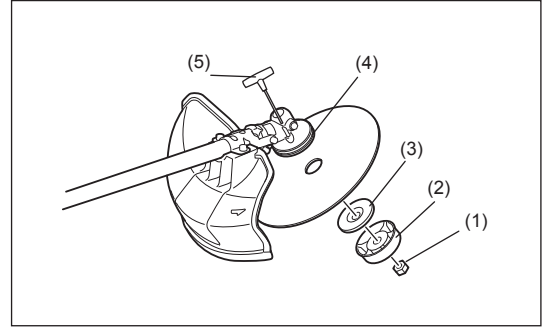
- Metal bıçak mutlaka doğru şekilde yerleştirilmeli ve çatlak veya kırık içermemelidir. Metal bıçak çalışma sırasında taşa çarparsa, derhal motoru durdurun ve bıçağı kontrol edin.
- Her üç saatlik çalışma sonrasında metal bıçağı düzeltin veya değiştirin.
- Misinalı kesim başlığı çalışma sırasında taşa çarparsa, derhal motoru durdurun ve misinalı kesim başlığını kontrol edin.

⚠ DİKKAT:

- Kaza önleme yönetmeliklerinin yerine getirilmesi ve kendi güvenliğiniz için mutlaka uygun koruyucu takılmalıdır. Makinenin, muhafazası takılmadan çalıştırılmasına kesinlikle izin verilmemelidir. Kesici bıçağın dış çapı mutlaka 300 mm veya daha kısa olmalıdır. Dış çapı 300 mm'nin üzerinde olan bıçakları kesinlikle kullanmayın. Dış çapı 305 mm olan kesici bıçaklar sadece 2 dişli bıçaklarla kullanılabilir.

Düz şaftı baş aşağı çevirdikten sonra metal bıçağı veya misinalı kesim başlığını kolayca değiştirebilirsiniz.

- Alyan anahtarını (5) dişli kutusundaki delikten sokun ve alyan anahtarıyla alıcı pulu (4) kilitlemeye kadar çevirin.
- Somunu (1) (sol tarafı dişlidir) lokma anahtarıyla gevşetin ve somunu (1), kapağı (2) ve kelepçe pulunu (3) çıkartın.



Metal bıçağın Alyan anahtarıyla yerine sabitlenmesi

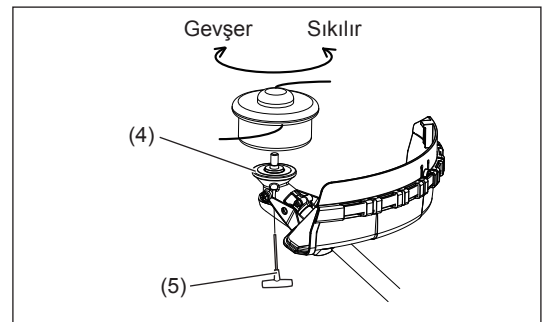
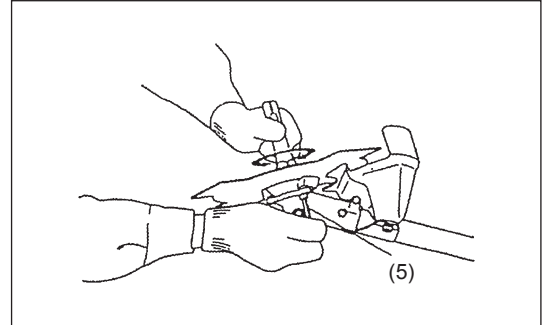
- Metal bıçağı, alıcı pulun (4) çıkıntılı kısmı metal bıçak üzerindeki deliğe tam oturacak şekilde şafta takın. Kelepçe pulunu (3) ve kapağı (2) takın ve metal bıçağı somunu (1) sıkarak sabitleyin. [Sıkma torku: 20 – 30 N•m]

NOT:

- Metal bıçağı tutarken mutlaka eldiven takın.

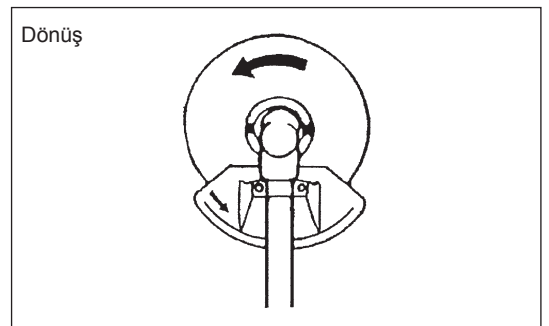
NOT:

- Metal bıçak tespit somunu (yaylı pulla birlikte) aşınabilir bir parçadır. Yaylı pul üzerinde herhangi bir aşınma veya deformasyon tespit ederseniz, somunu değiştirin.



Misinalı kesim başlığının takılması

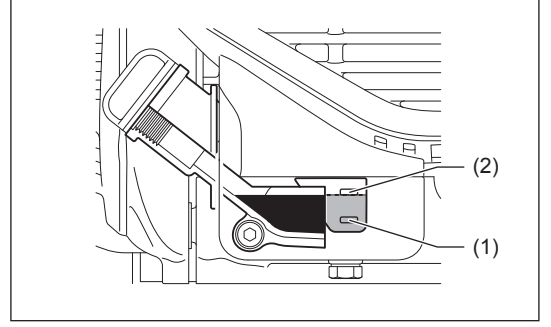
- Misinalı kesim başlığının takılması için kelepçe puluna (3), kapağı (2) ve somuna (1) gerek yoktur. Misinalı kesim başlığı, alıcı pulu (4) üzerine gelmelidir.
- Alyan anahtarını (5) dişli kutusundaki delikten sokun ve Alyan anahtarıyla alıcı pulu (4) kilitlemeye kadar çevirin.
- Ardından, misinalı kesim başlığını saat yönünün tersine çevirerek şafta vidalayın.
- Alyan anahtarını çıkartın.



ÇALIŞMAYA BAŞLAMADAN ÖNCE

Motor yağının kontrolü ve doldurulması

- Aşağıdaki prosedürü motor soğuduktan sonra uygulayın.
- Motorun düz, yatay bir zeminde olduğundan emin olun ve yağ seviyesinin yağ gösterge alt (1) ve üst (2) sınırı arasında olduğunu teyit edin.
- Yağ seviyesi alt sınırın altına düşmüşse, yağ kapağını çıkartın ve yağ ilave edin.
- Dış çizgilerin etrafındaki alan şeffaftır, bu nedenle içerideki yağ miktarı yağ kapağının çıkartılmasına gerek kalmaksızın dışarıdan kontrol edilebilir. Ancak, yağ borusu çok kirlendiğinde görüş kaybolabilir; bu durumda yağ seviyesinin, yağ borusunun içerisindeki kademeli bölümden kontrol edilmesi gerekir.
- Yağı yaklaşık her 10 saatlik çalışma (her 10 yakıt doldurma işlemi) sonrasında doldurmanız gerekebilir.
Yağın rengi değişir veya içerisine pislik karışırsa, yağı tamamen değiştirin. (Yağ değiştirme sıklığı ve yöntemi için, bkz. sayfa 275.)



Önerilen yağ: API Sınıfı SAE 10W-30, SF Sınıfı ve üzeri (4 zamanlı otomobil motoru)
Yağ hacmi: Yaklaşık 0,10L

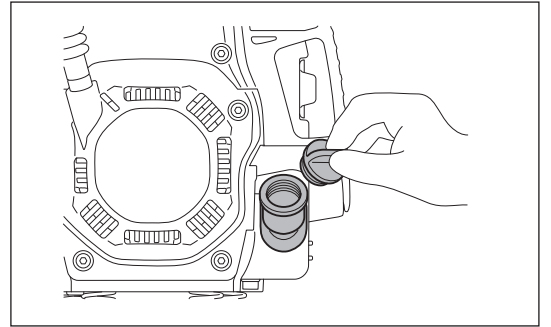
NOT:

- Motor şekilde gösterildiği gibi yatay bir zemin üzerinde durmuyorsa, yağ seviyesi göstergesi yanlış olabilir ve neticesinde gerekenden fazla yağ doldurulabilir. Yağın üst sınırı geçecek şekilde doldurulması yağın kirlenmesine ve/veya çalışma sırasında beyaz duman çıkmasına neden olabilir.

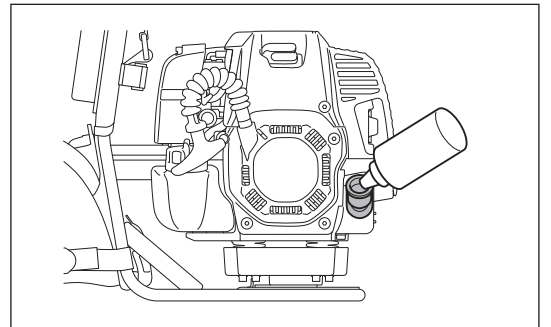
Yağın değiştirilmesi: “Yağ kapağı”

- Yağ doldurma deliğinin etrafındaki tozları ve kirleri temizleyin ve yağ kapağını çıkartın.
- Çıkartılan yağ kapağına kum veya toz bulaşmasına izin vermeyin. Aksi takdirde, yağ kapağına bulaşan kum veya toz düzensiz yağ sirkülasyonuna veya motor parçalarında aşınmaya ve neticesinde arızalara yol açabilir.

(1) Motoru düz tutun ve yağ kapağını çıkartın.



(2) Üst sınır çizgisine kadar yağ doldurun.
Yağ doldurken uygun bir yağ kabı kullanın.



(3) Yağ kapağını sağlam şekilde sıkın. Yeterince sıkılmaması, yağ kaçağına neden olabilir.

NOT:

- Motordaki yağı yatık bir konumda değiştirmeyin.
- Motor yatık vaziyetteyken yağ doldurulması, aşırı miktarda yağ doldurulmasına ve neticesine yağ kirlenmesine ve/veya çalışma sırasında beyaz duman çıkmasına yol açabilir.

Yağ doldurulduktan sonra

- Dökülen yağı derhal bir bez parçasıyla temizleyin.

YAKIT DOLDURMA

Yakıtın taşınması

Yakıtın mutlaka çok dikkatli bir şekilde taşınması gerekir. Yakıtlar, çözücülere benzer maddeler içerebilir. Yakıt doldurma işlemi mutlaka yeterince havalandırılan bir odada veya açık havada gerçekleştirilmelidir. Yakıt buharını kesinlikle solumayın ve yakıtı kendinizden uzakta tutun. Yakıtta sürekli veya uzun bir süre temas ederseniz, cildiniz kuruyabilir ve neticesinde cilt hastalıkları veya alerjisi meydana gelebilir. Yakıt gözünüze kaçarsa, gözünüzü temiz suyla yıkayın. Gözünüzdeki tahrişin devam etmesi halinde, doktora başvurun.

Yakıt saklama süresi

İyi havalandırılan ve doğrudan güneş görmeyen bir yerde özel bir kapta saklansa bile yakıtın 4 hafta içerisinde tüketilmesi gerekir. Aksi takdirde, yakıt bir günde bozulabilir.

MAKİNEİNİN MUHAFAZASI VE DEPONUN DOLDURULMASI

- Makineyi ve depoyu doğrudan güneş ışığı almayan, serin bir yerde muhafaza edin.
- Kesinlikle yakıtı araç içerisinde tutmayın.

Yakıt

Makinede dört zamanlı bir motor bulunur. 87 oktan ve üzeri ((R+M)/2) kurşunsuz otomobil benzini kullanıldığından emin olun. Alkol içeriği maksimum %10 (E-10) olmalıdır.

Yakıtla ilgili uyarılar

- Kesinlikle motor yağı içeren benzin karışımları kullanmayın. Aksi takdirde, aşırı karbon birikimi veya mekanik hasarlar meydana gelebilir.
- Bozulmuş yakıt kullanılması, çalıştırma sorunlarına yol açabilir.

Yakıt doldurma

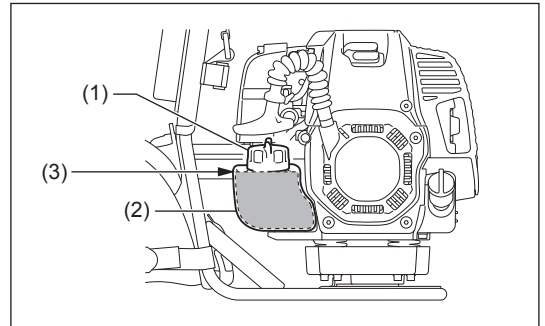
⚠ UYARI:

- **Yakıt doldurmaya başlamadan önce motoru kapatın, makineyi açık alevlerden uzaklaştırın ve sigara içmeyin.**

- Depo basıncını boşaltmak için depo kapağını (1) bir miktar gevşetin.
- Yakıt deposu kapağını çıkartın ve yakıtı doldurun. Yakıt üst sınırından (3) fazla yakıt DOLDURMAYIN.
- Yabancı maddelerin yakıt deposuna girmesini önlemek için, depo kapağının çevresini iyice temizleyin.
- Yakıt doldurduktan sonra, depo kapağını sıkıca kapatın.

NOT:

- Depo kapağında kusur veya hasar varsa, değiştirin.
- Depo kapağı zamanla aşınır. Her iki veya üç yılda bir değiştirin.
- Yağ doldurma deliğinden yakıt DOLDURMAYIN.



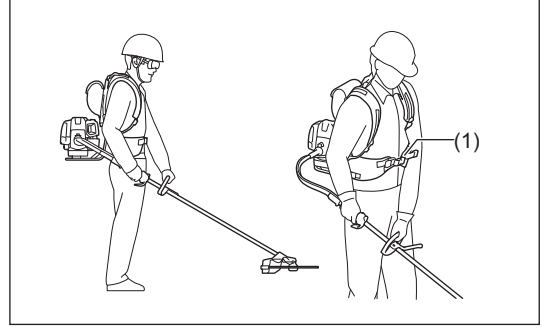
MAKİNENİN DOĞRU TAŞINMASI VE TUTULMASI

⚠ UYARI:

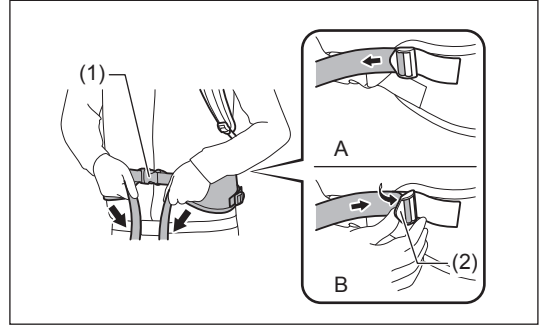
- Makinenin tam olarak kontrol edilememesi halinde, ciddi yaralanmalar ve hatta ÖLÜMLÜ kazalar meydana gelebilir.

Kayışın takılması

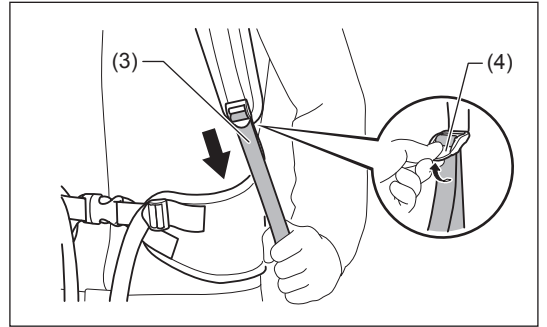
Kayışı çalışma sırasında motoru rahat bir şekilde omzunuzda tutacak şekilde ayarlayın.



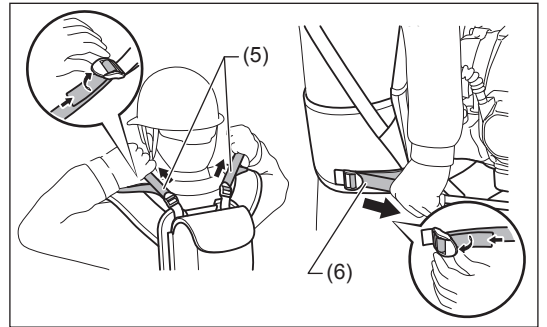
1. Kemerini belinize tutun ve tokayı (1) takın.
Bel kayışını sıkıştırmak için, kayışın ucunu (A) yönüne doğru çekin.
Gevşetmek için kayışın ucunu (2) (B) yönüne doğru çekin.



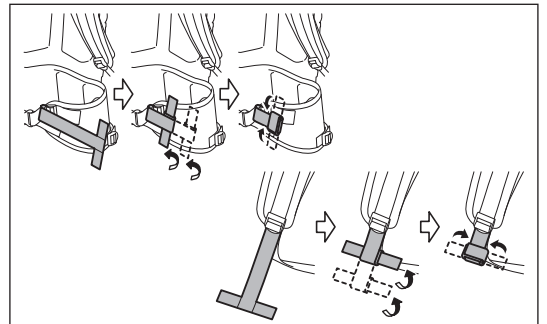
2. Omuz askısını rahat çalışabileceğiniz bir uzunlukta (3) ayarlayın.
Askıyı sıkıştırmak için, askının ucunu çekin.
Gevşetmek için, askının ucunu (4) yukarıya doğru çekin.



3. Omuz ve kalça için sabitleyici askıları ayarlayın (5, 6). Askıyı sıkıştırmak için, askının ucunu çekin. Gevşetmek için, askının ucunu yukarıya doğru çekin.

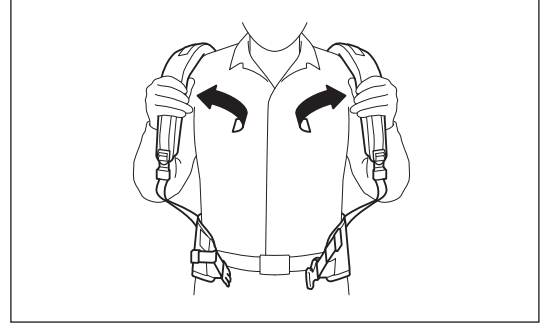
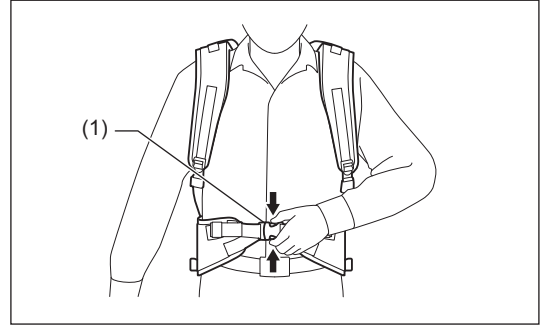


4. Fazla askıları rulo yapın ve halka ve kanca bağlayıcı ile sıkıştırın.



Makinenin ıkartılması

- Makineyi serbest bırakmak iin, tokayı yanlarından sıkın (1) ve kayışı ıkarın. Bu sırada makinenin kontrolünü kaybetmemek iin ok dikkatli olun. Makinenin size veya evredeki insanlara doėru savrulmasına izin vermeyin.



MOTORU ÇALIŞTIRMA VE DURDURMA

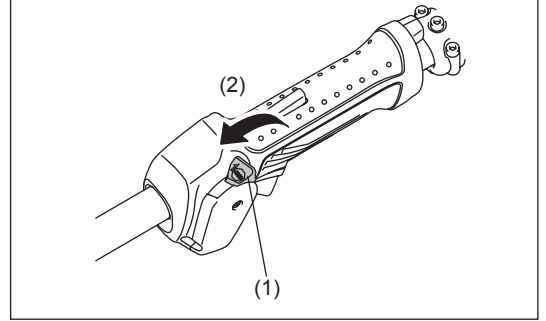
İlgili kaza önleme yönetmeliklerini dikkate alın!

ÇALIŞTIRMA

Makineyi yakıt doldurduğunuz yerden en az 3 metre uzağa taşıyın. Makineyi yere koyarken kesici parçanın, zeminle veya diğer yabancı cisimlerle temas etmemesine dikkat edin.

A: Soğuk çalıştırma

- 1) Makineyi düz bir zemin üzerine yerleştirin.
- 2) I-O anahtarını (1) ÇALIŞTIRMA (2) konumuna getirin.



- 3) Jikle kolu

Jikle kolunu kapatın.

Jikle açıklığı:

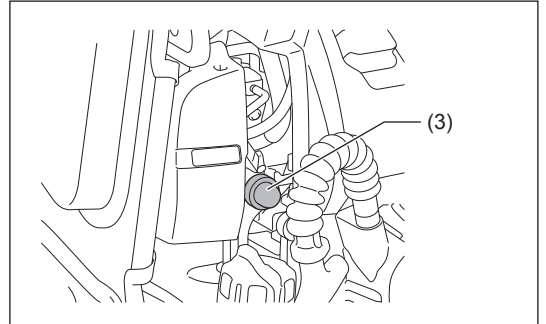
- Hava veya motor soğukken tam kapalı.
- Örneğin motorun ısınma çalışması sırasında durdurulduktan hemen sonra tekrar çalıştırılması vb. gibi motorun bir miktar sıcak olduğu durumlarda tam veya yarı açık.



- 4) Ana pompa

Yakıt ana pompaya (3) girene kadar ana pompaya bastırmaya devam edin. (Genellikle 7 ila 10 defa basmanız yeterlidir.)

Ana pompaya çok fazla basılırsa, fazla benzin yakıt deposuna geri döner.



5) Manüel marş

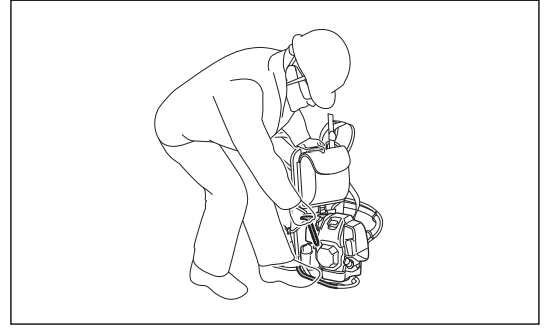
Her zaman yere sağlam ve dengeli bastığınızdan emin olun.
Üniteyi sol elinizle ve sağlam şekilde yere doğru bastırarak tutun.

⚠ DİKKAT:

- Kısa kablosu üzerine ayağınızla veya dizinizle bastırmayın. Aksi takdirde, dahili tel çekilebilir ve kesici parça istem dışı şekilde dönmeye başlayabilir. Kısmayı açmayın.

Belirli bir direnç hissedene kadar marş kolunu yavaşça çekin. Ardından, marş kolunu bırakın ve bu sefer güçlü bir şekilde çekin.

İpi kesinlikle sonuna kadar çekmeyin. Marş kolunu çektikten sonra hemen bırakmayın. Marş kolu başlangıçtaki konumuna dönene kadar bekleyin.



6) Jikle kolu

Motor çalışmaya başladığında, jikle kolunu AÇIK konumuna getirin.

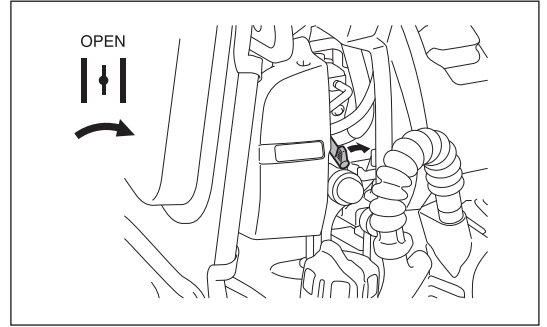
- Bir yandan motorun çalışmasını kontrol ederken, jikle kolunu kademeli bir şekilde açın. Sonunda jikle kolunun tam açık konumuna kadar açıldığından emin olun.
- Hava veya motor soğukken, kesinlikle jikle kolunu birden açmayın. Aksi takdirde, motor durabilir.

7) Isıtma çalıştırması

Isıtma çalıştırmasını 2 ila 3 dakika boyunca sürdürün.

ÖNEMLİ NOT:

- **Motor çalışmıyorken kısma mandalını gereksiz yere çekmeyin.** Aksi takdirde, hava temizleyicisinden yakıt kaçağı meydana gelebilir. Böyle bir durumda sızan yakıtı temizleyin. Ayrıca, hava temizleyicisi kapağını açın ve elemanı ve hava temizleyicisi plakasını temizleyin.



NOT:

- Motor çalışmıyorken kısma mandalını gereksiz yere çekmeyin. Aksi takdirde, motorun yakıtla boğulmasına ve motorun zor çalıştırılmasına neden olabilir.
- Yakıtın taşması durumunda, bujiyi çıkartın ve marş kolunu yavaşça çekerek fazla yakıtı boşaltın. Ayrıca, bujinin elektrot bölümünü kurutun.
- Eğer motor çalışıp durursa, ya da başlatıldıktan hemen sonra durursa jikle kolunu tekrar AÇIK konumuna getirin ve çalıştırma topuzunu bir kaç kez daha çekerek motoru çalıştırın.
- Eğer jikle kolu KAPALI konumunda bırakıldıysa ve çalıştırma topuzu tekrar tekrar çekilirse, çok fazla yakıt alınır ve motorun çalıştırılması zorlaşır.
- Motoru ısınma çalışması sırasında gereksiz yere zorlamayın.

B: Sıcak çalıştırma

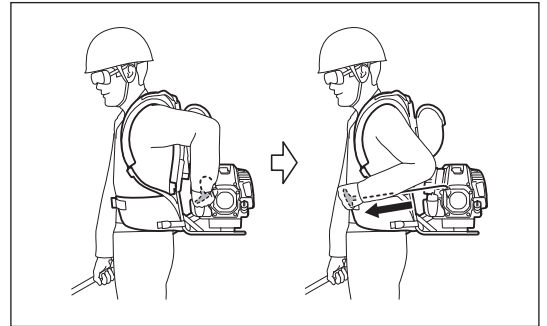
- 1) Jikle kolunu tam açık konumda tutun.
- 2) Ana pompaya arka arkaya bastırın.
- 3) Kısa mandalını rölanti konumunda tutun.
- 4) Marş kolunu güçlü bir şekilde çekin.

Ayrıca, aleti sırtınızda taşıırken de motoru yeniden çalıştırabilirsiniz.

⚠ DİKKAT:

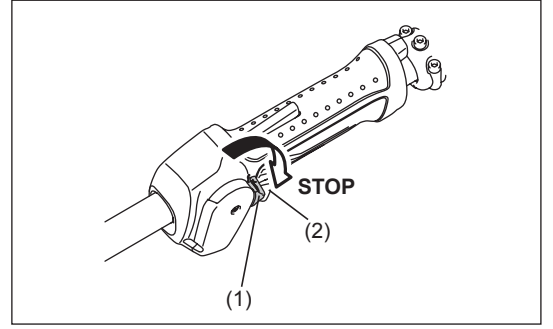
- Yeniden çalıştırma sırasında kesici parçanın temas etmediğinden emin olun.
- Yeniden çalıştırırken kısma mandalını çekmeyin. Aksi takdirde kesici parça dönmeye başlar.

Kolu sağ elinizle tutun ve marş kolunu güçlü bir şekilde çekin.



DURDURMA

- 1) Gaz kolunu (2) tamamiyla serbest bırakın ve motor devri düştüğünde, I-O anahtarını (1) STOP konumuna getirin; motor duracaktır.
- 2) Motor durdurulduktan sonra kesici parça bir süre dönmeye devam eder. Kesici parça tamamen duruncaya kadar bekleyin.

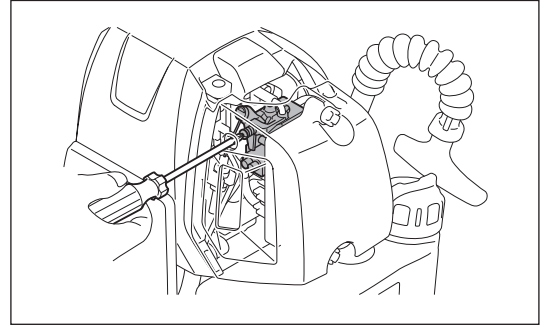


RÖLANTİ HIZININ AYARLANMASI

Rölanti hızının ayarlanması gerekiyorsa, bu işlemi karbüratör ayar vidasıyla gerçekleştirin.

RÖLANTİ HIZININ KONTROLÜ

- Rölanti hızını 3.000 dak^{-1} olarak ayarlayın.
Rölanti hızının ayarlanması gerekiyorsa, sağ taraftaki şekilde gösterildiği gibi yıldız uçlu bir tornavida ile vidayı ayarlayın.
- Rölanti hızını yükseltmek için, ayar vidasını saat yönünde çevirin.
Rölanti hızını düşürmek için, ayar vidasını saat yönünün tersine çevirin.
- Karbüratör fabrikada ayarlanmıştır. Ancak, birkaç kullanımdan sonra rölanti hızının tekrar ayarlanması gerekir.



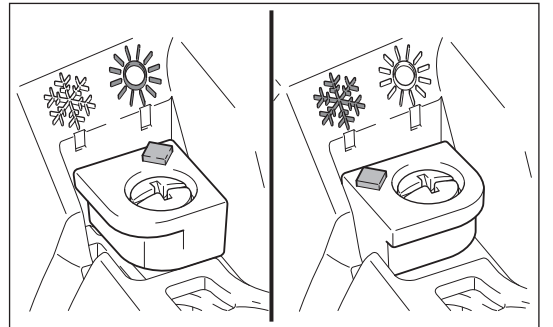
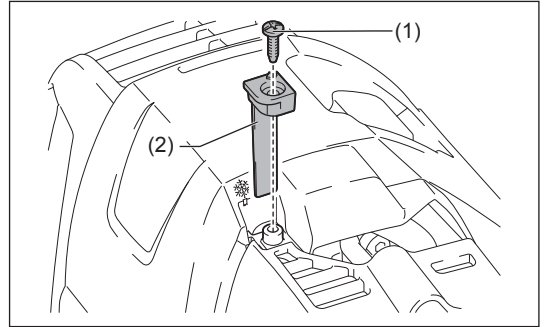
KARBÜRATÖR BUZLANMASININ ÖNLENMESİ

⚠ DİKKAT:

- Ortam sıcaklığının 10°C 'nin üzerinde olduğu durumlarda perdeyi daima normal (güneş işareti) ayarına getirin. Aksi takdirde, motor aşırı ısınarak hasar görebilir.

Ortam sıcaklığı düşükse ve nem yüksekse, karbüratör içerisinde su buharı donabilir ve motor sorunlu şekilde çalışmaya başlayabilir (karbüratör buzlanması). Gerekirse, perde ayarını aşağıda açıkladığı şekilde değiştirin.

1. Vidayı (1) sökün.
2. Kesici (2) yönünü şu şekilde değiştirin:
 - Ortam sıcaklığı 10°C 'den yüksekse: Perdeyi normal konumuna (güneş işareti) ayarlayın.
 - Ortam sıcaklığı 10°C veya daha düşükse: Perdeyi buzlama önleme konumuna (kar işareti) ayarlayın.
3. Vidayı sıkın.



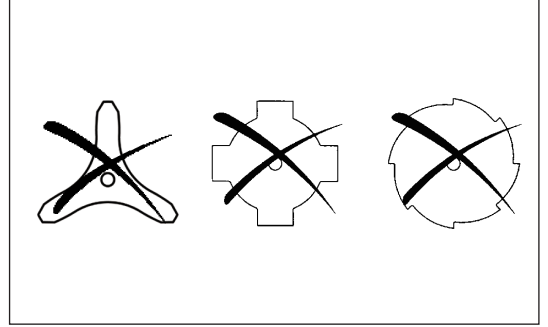
KESİCİ PARÇANIN BİLENMESİ

⚠ DİKKAT:

- Şekilde gösterilen kesici parçalar bilenmez. Yetkili olmayan kişilerce yapılan bileme işlemleri, kesici parçanın dengesiz çalışmasına ve dolayısıyla makine titreşimlerine ve hasarlarına neden olabilir.

NOT:

- Daha uzun bir kullanım ömrü için, kesici bıçak her iki kesici kenarı da eşit şekilde körleşecek şekilde bir kere ters çevrilebilir.



MİSİNALI KESİM BAŞLIĞI

Misinalı kesim başlığı, çarpmalı besleme mekanizmasına sahip bir çift misinalı tırpan başlığıdır.

Misinalı kesim başlığı biçme başlığının yere vurulmasından sonra misinayı besler.

Çalıştırma

- Misinalı kesim başlığının hızını yaklaşık 6.000 dak⁻¹ değerine yükseltin. Misinalı kesim başlığını hafifçe yere vurun.
- En etkili kesim alanı taralı olarak gösterilmiştir.
- Misina beslenmezse, "Misinanın değiştirilmesi" başlıklı bölümde açıklanan prosedürleri takip ederek misinayı geri sarın/değiştirin.

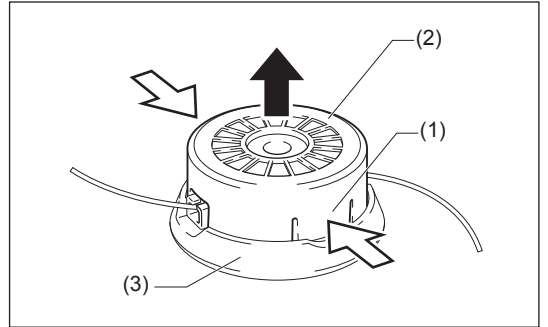


Misinanın değiştirilmesi (ÇARPMA ve BESLEME)

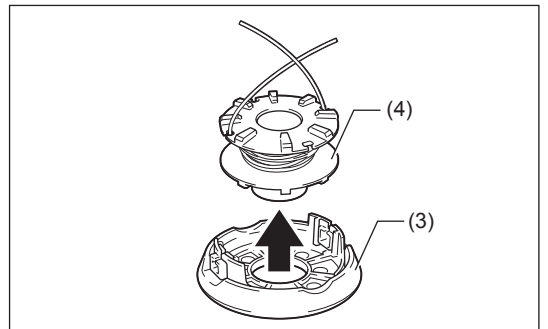
⚠ UYARI:

- Misinalı kesim başlığı kapağının aşağıda açıklandığı gibi muhafazaya doğru şekilde sabitlendiğinden emin olun. Kapağın sağlam şekilde takılmaması, misinalı kesim başlığının çıkarak ciddi yaralanmalara yol açmasına neden olabilir.

1. Kapağı (3) çıkarmak için, muhafaza (2) kilit mandallarını (1) içeriye doğru bastırın ve yukarıya doğru çekin.



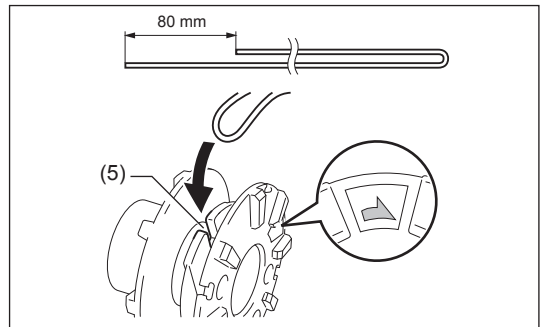
2. Plastik kordonu delikten çıkarın. Ardından makarayı (4) kapaktan çıkarın. Kalan misinayı atın.



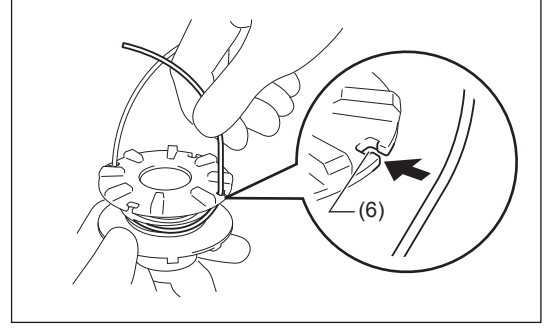
3. Yeni misinanın ortasını, makara merkezine misinanın geçirilmesi için yerleştirilen 2 kanalın arasındaki misina deliğinden (5) geçirin.

Misinanın bir ucu, diğer ucundan yaklaşık 80 mm daha uzun olmalıdır.

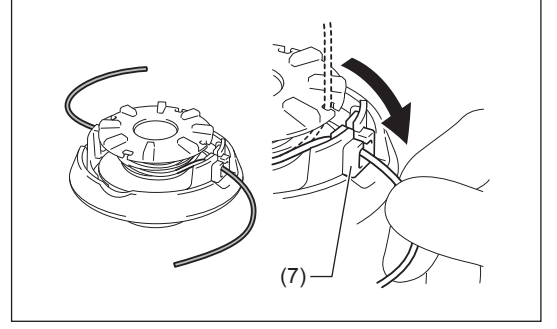
Kordonun iki ucunu da makaranın üzerindeki ok yönünde, makaranın etrafına sıkı bir şekilde dolayın.



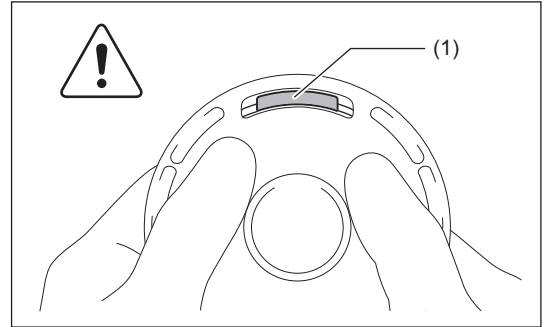
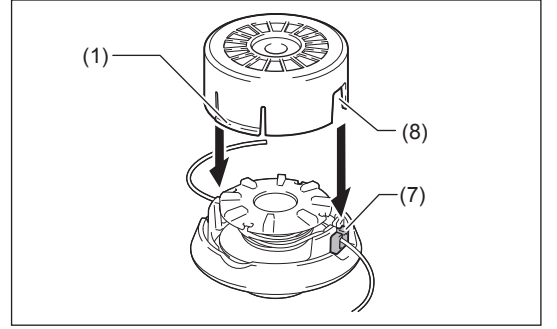
4. 100 mm kalana kadar misinin tamamını sarın ve bu sırada misina uçlarının geçici olarak tırnaklarda (6) takılı kalmasını sağlayın.



5. Makarayı, tutucu tırnaklar deliklerle (7) birleşecek şekilde kapağa yerleştirin. Misinin uçlarını geçici konumlarından çıkartın ve bu uçları deliklerden geçirin.



6. Muhafaza üzerindeki kare kesikleri (8) delikler (7) ile aynı hizaya getirin. Ardından, sabitlemek üzere muhafazayı kapağa sıkıca bastırın. Kilit mandallarının (1) kapağa tam olarak oturduğundan emin olun.



SERVİS TALİMATLARI

⚠ DİKKAT:

- Makine üzerinde herhangi bir çalışma yapmadan önce, mutlaka motoru durdurun ve buji konektörünü bujiden çıkartın (bkz. "bujinin kontrolü"). Daima koruyucu eldiven takın!

Makinenin uzun ömürlü olması ve olası hasarların önlenmesi için, düzenli aralıklarla aşağıda açıklanan servis çalışmaları gerçekleştirilmelidir.

Günlük kontrol ve bakımlar

- Çalışmaya başlamadan önce, makinede gevşek vida veya eksik parça olup olmadığını kontrol edin. Özellikle, metal bıçak veya misinalı kesim başlığının doğru şekilde sıkılmasına dikkat edin.
- Çalışma öncesi mutlaka soğutucu hava geçişinin ve silindir kanatlarının tıkalı olmadığını kontrol edin. Gerekirse, bu parçaları temizleyin.
- Her gün kullanım sonrası şu işlemleri gerçekleştirin:
 - Makinenin dış kısmını temizleyin ve hasar olup olmadığını kontrol edin.
 - Hava filtresini temizleyin. Aşırı tozlu ortamlarda çalışıyorsanız, filtreyi günde birkaç defa temizleyin.
 - Bıçakta veya misinalı kesim başlığında hasar olmadığını ve bu parçaların sağlam şekilde takıldığını kontrol edin.
 - Motor rölantideyken kesici parçanın duracağından emin olmak için, rölanti ile kavrama hızları arasında yeterli fark olduğundan emin olun (gerekirse, rölanti hızını düşürün). Rölanti koşulunda kesici parça dönmeye devam ediyorsa, en yakın Yetkili Servis Merkezine danışın.
- Açma/kapama düğmesinin, kilit açma mandalının ve kısma mandalının doğru çalıştığından emin olun.

MOTOR YAĞININ DEĞİŞTİRİLMESİ

Bozulan motor yağlarının kullanılmaya devam edilmesi, motor ömrünü kısaltacaktır. Yağın ve yağ seviyesinin düzenli olarak kontrol edildiğinden emin olun.



UYARI: Motor durdurulsa bile motor ve motor yağı hala sıcak olabilir. Motorun ve motor yağının soğuması için yeteri kadar bekleyin. Aksi takdirde, cilt yanıklarıyla karşılaşabilirsiniz.

NOT:

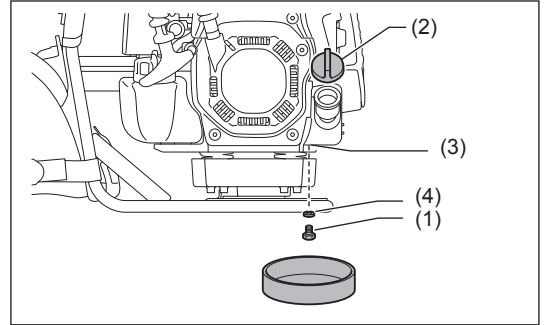
- Yağ sınırı geçecek şekilde doldurulursa, kirlenebilir veya çalışma sırasında beyaz bir duman çıkartarak yanabilir. Yağ seviyesinin doğru olarak okunabilmesi için, motoru durdurduktan sonra yağın yağ deposuna dönmesi için yeteri kadar bekleyin.

Değiştirme sıklığı: İlk 20 saatlik çalıştırma sonrası, her 50 çalışma saatinde bir.

Önerilen yağ: API Sınıfı SAE10W-30 yağ, SF Sınıfı ve üzeri (4 zamanlı otomobil motor yağı)

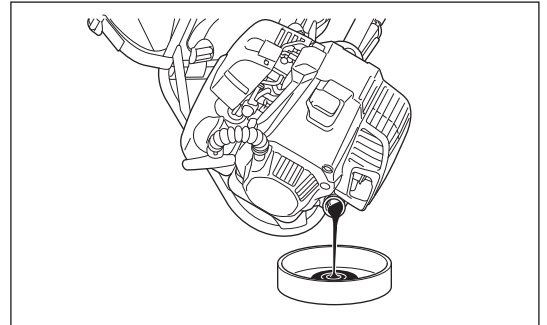
Değiştirirken, aşağıdaki prosedürü takip edin.

- 1) Yakıt deposu kapağının sıkı bir şekilde kapalı olduğunu kontrol edin.
- 2) Drenaj deliğinin altına geniş bir kap (tava vb.) yerleştirin.
- 3) Drenaj civatasını (1) sökün ve ardından yağı drenaj deliğinden (3) boşaltmak için yağ kapağını (2) çıkartın. Bu sırada drenaj civatası contasının (4) gevşemediğinden ve sökülen parçaların kirlenmediğinden emin olun.
- 4) Tüm yağ boşaltıldıktan sonra, contayı ve drenaj civatasını takın ve gevşememesi ve yağ kaçaklarına neden olmaması için drenaj civatasını sağlam şekilde sıkın.
[Sıkma torku: 5 N•m]
* Bir bez parçasıyla civata ve makineye bulaşmış yağları temizleyin.



Alternatif drenaj yöntemi

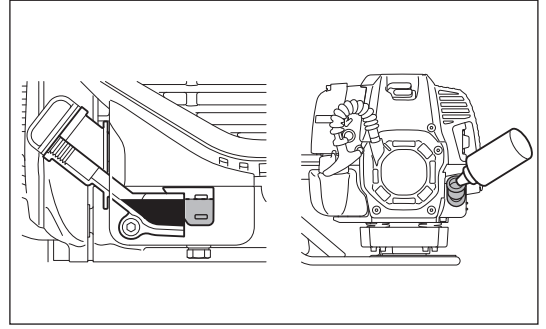
Yağ kapağını çıkartın, makineyi yağ doldurma deliğine doğru yatırın ve yağı boşaltın.
Yağı kapta toplayın.



- 5) Motoru düz şekilde yerleştirin ve üst sınır çizgisine kadar kademeli olarak yeni yağ doldurun.
- 6) Yağı doldurduktan sonra, yağ kapağını gevşemeyecek ve kaçaqlara neden olmayacak şekilde sağlamca sıkın.
Yağ kapağı sağlam şekilde sıkılmazsa, kaçağa neden olabilir.

YAĞLA İLGİLİ UYARILAR

- Boşaltılan motor yağını kesinlikle çöpe, toprağa veya kanalizasyon giderine dökmeyin. Yağın bertarafı ilgili kanunlara uygun şekilde gerçekleştirilmelidir. Yağın bertarafı için daima ilgili kanun ve yönetmeliklere uyun. Bilinmeyen hususlarla ilgili olarak daima Yetkili Servis Personeline danışın.
- Kullanılmadan saklansa dahi yağ zamanla bozulur. Yağı düzenli aralıklarla kontrol edin ve değiştirin (her 6 ayda bir yeni yağla değiştirin).



HAVA TEMİZLEYİCİSİNİN TEMİZLENMESİ



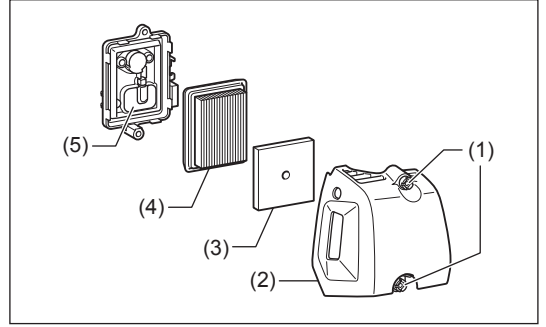
UYARI: Motoru kapatın, makineyi açık alevlerden uzaklaştırın ve sigara içmeyin.

Temizlik ve Kontrol Aralığı: Günlük (her 10 çalışma saatinin sonunda)

- Jikle kolunu tamamen kapalı konuma çevirin ve karbüratördeki toz ve pislikleri temizleyin.

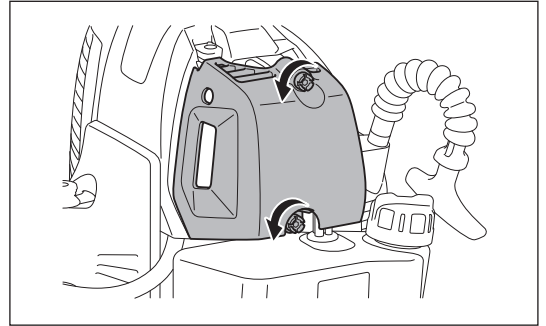
Hava temizleyici kapağını çıkarma

- İki tespit civatasını (1) gevşetin.
- Hava temizleyici kapağını (2) çekerek çıkartın.



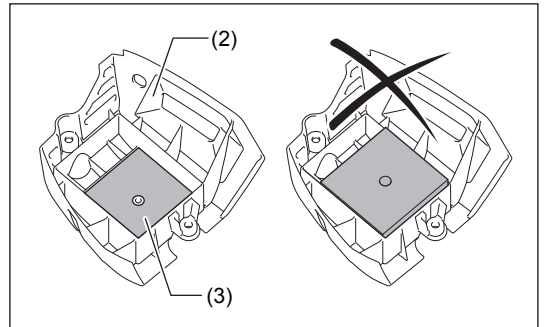
Temizleme elemanı

- Temizlik elemanlarını (3, 4) çıkartın ve hafifçe vurarak içerisindeki pislikleri temizleyin.
- Aşırı kirlenmişse:
 - 1) Filtre elemanını (sünger) (3) çıkartın, sıcak suya veya doğal deterjanlı suya batırın ve ardından tamamen kurutun. Yıkarken sıkmayın veya ovalamayın.
 - 2) Filtre elemanını (keçe) (4) hafifçe vurarak temizleyin. Bir hava tabancası kullanma imkanınız varsa, basınçlı havayı filtre elemanının (keçe) iç kısmına doğru tutun. Filtre elemanını (keçe) yıkamayın.
- Filtre elemanını (sünger) geri takmadan önce, tamamen kurduğundan emin olun. Filtre elemanının (sünger) yeterli şekilde kurutulmaması, makinenin zor çalışmasına neden olabilir.
- Hava temizleyicisi kapağına ve ayırıcı plakaya (5) bulaşan yağları bir bez parçasıyla temizleyin.



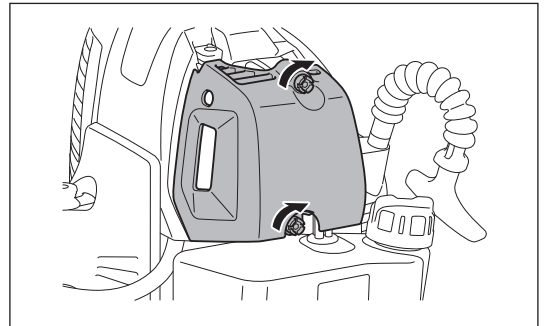
Hava temizleyici kapağın takılması

- Filtre elemanlarını (sünger ve keçe) yerine takın. Filtre elemanını (sünger) hava temizleyici kapağı içerisine sonuna kadar bastırarak yerleştirin.
- Hava temizleyici kapağı iki tespit civatasıyla sıkın.



ÖNEMLİ NOT:

- Aşırı derecede toz yapıyorsa, filtre elemanlarını günde birkaç defa temizleyin. Kirli filtre elemanları motor gücünü düşürür ve motorun çalışmasını zorlaştırır.
- Filtre elemanları üzerindeki yağı temizleyin. Filtre elemanlarındaki yağ temizlenmeden çalışmaya devam edilirse, hava temizleyicideki yağ dışarı akabilir ve çevrenin kirlenmesine yol açabilir.
- Filtre elemanlarını yere veya kirlili yüzeylere koymayın. Aksi takdirde, filtre elemanlarına kir veya yabancı maddeler yapışabilir ve neticesinde motor hasar görebilir.
- Filtre elemanlarını temizlemek için kesinlikle yakıt kullanmayın. Yakıt, filtre elemanlarına zarar verebilir.

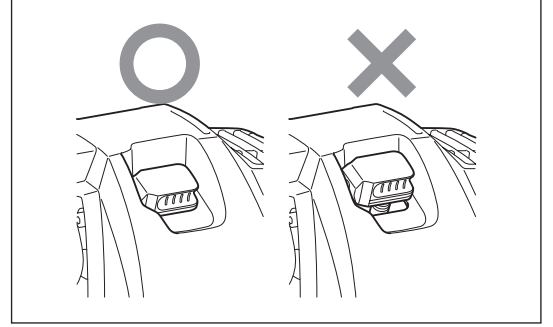
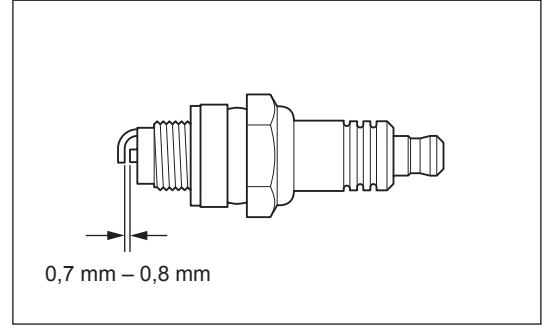


BUJİNİN KONTROLÜ

- Bujiyi sökmek ve takmak için yalnızca ürünle birlikte verilen standart anahtar kullanın.
 - Bujinin iki elektrotu arasındaki boşluk 0,7 ila 0,8 mm olmalıdır. Boşluk çok geniş veya darsa, ayarlayın. Buji tıkanırsa veya kirlenirse, iyice temizleyin veya değiştirin.
- Kontrol ettikten sonra tapa kapağını şekilde gösterildiği gibi doğru şekilde takın.

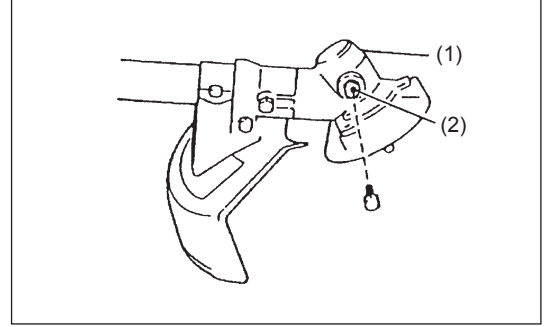
⚠ DİKKAT:

- Motor çalışırken buji konektörüne kesinlikle dokunmayın (yüksek gerilimde elektrik çarpması tehlikesi).



GRES KUTUSUNUN DOLDURULMASI

- Dişli kutusuna (1) gres deliğinden (2) her 25 çalışma saatinde bir gres (Shell Alvania 2 veya muadili) doldurun. (DOLMAR satıcınızdan orijinal DOLMAR gresi satın alabilirsiniz.)

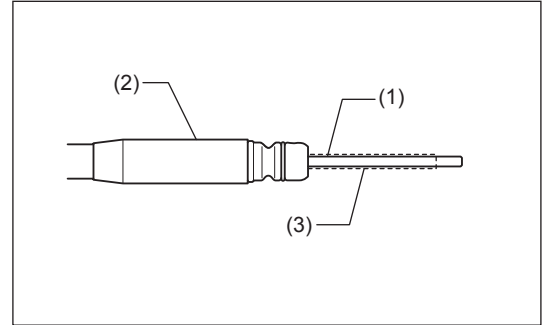


ESNEK ŞAFTIN GRESLENMESİ

1. Esnek şaftı kavrama kutusundan ve düz şafttan çıkarın. Esnek şaftı kavrama kutusundan çıkarmak için, topuzu çekin ve çıkarın. Esnek şaftı düz şafttan çıkarmak için, önce civatayı sonra şaftı çıkarın.
2. İç şaftı (1) esnek kaplamanın (2) içinden çekin ve iç şaftta her 25 saatte bir (Shell Alvania 2 veya muadili) gres (3) uygulayın. (DOLMAR satıcınızdan orijinal DOLMAR gresi satın alabilirsiniz.)

ÖNEMLİ NOT:

- Gres uygulanmazsa esnek şaft kırılabilir.
- Parçaların hizmet ömrünü uzatmak için esnek şaftın uçlarını tekrar takarken diğer tarafa takın, yani daha önce motor tarafında olan ucu kontrol kolu tarafına takın.



YAKIT FİLTRESİNİN TEMİZLENMESİ

UYARI: TUTUŞABİLİR MADDELERİN KULLANILMASI KESİNLİKLE YASAKTIR

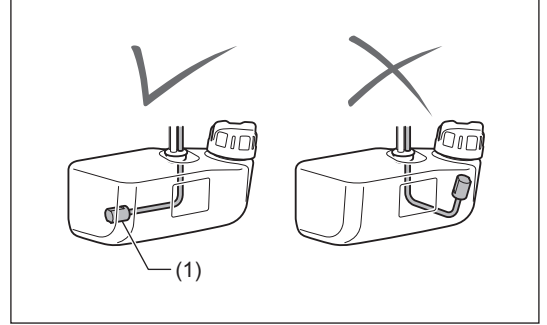
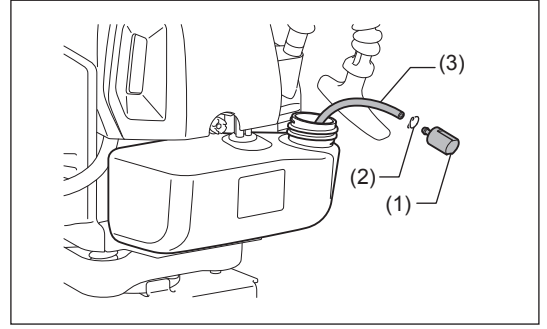
Temizlik ve Kontrol Aralığı: Aylık (her 50 çalışma saatinin sonunda)

Yakıt deposundaki emiş başlığı

Yakıt filtresini (1) düzenli olarak kontrol edin. Yakıt filtresini kontrol etmek için, aşağıdaki adımları izleyin:

1. Yakıt deposu kapağını çıkarın, yakıtı boş depoya akıtın. Deponun içinde yabancı madde olup olmadığını kontrol edin. Eğer varsa, ortadan kaldırın.
2. Bir tel kanca yardımıyla emiş başlığını depo açıklığından çekerek çıkartın.
3. Yakıt filtresi hafifçe tıkanmışsa, temizleyin. Temizlemek için, yavaşça sallayın ve yakıtı hafifçe vurun. Hasarı önlemek için, sıkmayın ve ovalamayın. Temizleme için kullanılan yakıt, ülkenizdeki düzenlemelerle belirlenen yöntemlere uygun bir şekilde bertaraf edilmelidir. Filtre sertleşmiş veya yoğun bir biçimde tıkanmışsa, filtreyi değiştirin.
4. Kontrol, temizlik ve değiştirme çalışmalarından sonra, yakıt filtresini yakıt borusuna (3) takın ve hortum kelepçesiyle (2) sabitleyin. Yakıt filtresini, yakıt deposunun altına doğru sonuna kadar bastırın.

Tıkanmış veya hasar görmüş yakıt filtresi yetersiz yakıt beslemesine neden olabilir ve motor gücünü azaltabilir. Karbüratöre tatmin edici düzeyde yakıt beslemesi sağlanması için yakıt filtresini en azından üç ayda bir değiştirin.



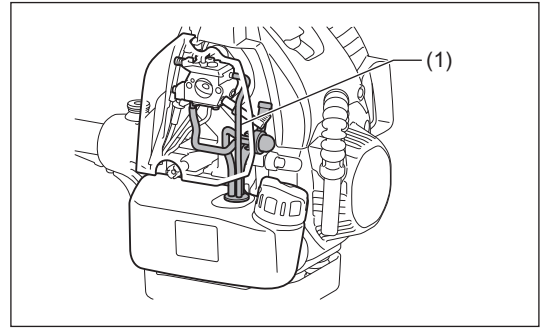
YAKIT BORUSUNUN DEĞİŞTİRİLMESİ

DİKKAT: TUTUŞABİLİR MADDELERİN KULLANILMASI KESİNLİKLE YASAKTIR

Temizlik ve Kontrol Aralığı: Günlük (her 10 çalışma saatinin sonunda)

Değiştirme sıklığı: Yıllık (her 200 çalışma saatinin sonunda)

Çalıştırma sıklığı ne olursa olsun, yakıt borusunu (1) her yıl değiştirin. Aksi takdirde, yakıt kaçağı nedeniyle yangın tehlikesi ortaya çıkabilir. Kontroller sırasında herhangi bir kaçak tespit ederseniz, yakıt borusunu derhal değiştirin.



CIVATA, SOMUN VE VİDALARIN KONTROLÜ

- Gevşek civataları, somunları vb. sıkın.
- Yakıt kapağının ve yağ kapağının sağlam şekilde sıkıldığını kontrol edin. Yakıt veya yağ kaçağı olup olmadığını kontrol edin.
- Güvenli çalıştırma için, hasarlı parçaları yenileriyle değiştirin.

PARÇALARIN TEMİZLENMESİ

- Bir bez parçasıyla sık sık silerek motorun daima temiz kalmasını sağlayın.
- Silindir açıklıklarına kum veya toz bulaşmasına izin vermeyin. Açıklıklara yapışan toz veya kir, pistonun sıkışmasına neden olur.

CONTA VE SALMASTRALARIN DEĞİŞTİRİLMESİ

Motor sökülmüşse, somun ve salmastraları değiştirin.

Bu kılavuzda belirtilmeyen ve açıklanmayan tüm bakım ve ayar çalışmaları mutlaka yalnızca Yetkili Servis tarafından yapılmalıdır.

SAKLAMA



UYARI:

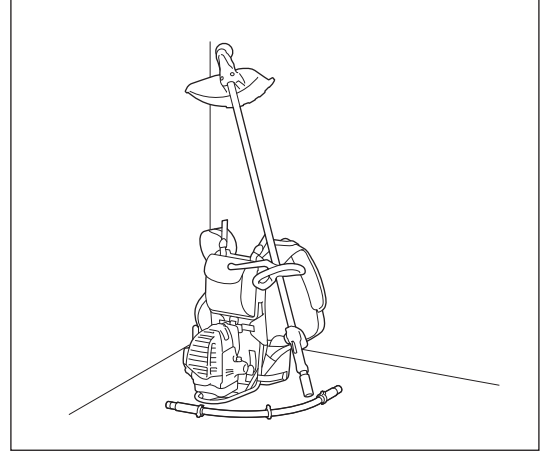
Durdurulsa bile motor hala sıcak olabilir. Yakıtı boşaltırken, motorun durdurulduktan sonra soğuması için yeteri kadar bekleyin. Aksi takdirde, cilt yanıkları meydana gelebilir ve/veya yangın çıkabilir.



TEHLİKE:

Makine uzun bir süre çalıştırılmayacaksa, yakıt deposu ve karbüratördeki yakıtı tamamen boşaltın ve kuru ve temiz bir yerde muhafaza edin.

- Yakıt deposu ve karbüratördeki yakıtı aşağıdaki prosedürü takip ederek boşaltın:
 - 1) Yakıt deposu kapağını çıkartın ve yakıtı tamamen boşaltın. Yakıt deposunda yabancı madde kalmışsa, tamamen temizleyin.
 - 2) Yakıt filtresini bir tel yardımıyla doldurma deliğinden çıkartın.
 - 3) Yakıt tamamen boşalana kadar ana pompaya bastırın ve yakıt deposundan çıkan yakıtı bir kaba alın.
 - 4) Filtreyi yakıt deposuna geri takın ve yakıt deposu kapağını sıkıca kapatın.
 - 5) Ardından, motoru durana kadar çalıştırmaya devam edin.
- Bujiyi çıkartın ve birkaç damla motor yağının buji deliğinden damlamasını sağlayın.
- Marş kolunu, motora motor yağı dağılacak şekilde yavaşça çekin ve bujiyi takın.
- Kapağı metal bıçağa takın.
- Genel olarak, makineyi şekilde gösterildiği gibi saklayın. Düz şaftın düşmemesi için makineyi depoya dikkatli bir şekilde kaldırın. Aksi takdirde, yaralanmalar meydana gelebilir.
- Çıkan yakıtı doğrudan güneş ışığı almayan ve iyi havalandırılan bir yerde özel bir kaba alın.



Uzun süre depolama sonrası dikkat edilmesi gerekenler

- Uzun bir süre depoda kaldıktan sonra ilk defa çalıştırmadan önce yağı değiştirdiğinizden emin olun (bkz. sayfa 275). Makinenin çalışmadığı sürede yağ bozulmuştur.

Çalışma süresi Parça		Kullanımdan önce	Yakıt doldur- duktan sonra	Günlük (10 sa)	25 sa	50 sa	200 sa	Depoya kaldır- madan önce	Karşılık gelen S
Motor yağı	Kontrol edin	○							266
	Değiştirin					○*1			275
Parçaları sıkın (cıvata, somun)	Kontrol edin	○							278
Yakıt deposu	Temizleyin/ kontrol edin	○							—
	Yakıtı boşaltın							○*3	279
Kısma mandalı	Çalışma kontrolü		○						—
Durdurma düğmesi	Çalışma kontrolü		○						275
Kesici parça	Kontrol edin	○		○					265
Rölanti devri	Kontrol edin/ ayarlayın			○					272
Hava temizleyici	Temizleyin			○					276
Buji	Kontrol edin			○					277
Soğutma havası geçişi ve silindir kanatları	Temizleyin/ kontrol edin			○					278
Yakıt borusu	Kontrol edin			○					278
	Değiştirin						◎*2		278
Dişli kutusu gresi	Doldurun				○				277
Esnek şaft	Gresleme/ takma yönünü değiştirme				○				277
Yakıt filtresi	Temizleyin/ değiştirin					○			278
Vana boşluğu (giriş vanası ve çıkış vanası)	Kontrol edin/ ayarlayın						◎*2		—
Karbüratör	Yakıtı boşaltın							○*3	279

*1 İlk değiştirmeyi 20 saatlik çalışma sonrasında gerçekleştirin.

*2 200 çalışma saati sonrası kontroller için, Yetkili Servis Personeline veya bir makine atölyesine danışın.

*3 Yakıt deposunu boşalttıktan sonra, motoru çalıştırmaya devam ederek karbüratördeki yakıtın boşalmasını sağlayın.

SORUN GİDERME

Onarım talebinde bulunmadan, lütfen sorunu önce kendiniz kontrol edin. Herhangi bir anormal durum tespit ettiğinizde, makinenizi bu kılavuzda verilen açıklamalara göre kontrol edin. Hiçbir parçayı açıklamaların aksine bir şekilde değiştirmeyin ve sökmeyin. Onarım için, Yetkili Servis Merkezine veya satıcınıza başvurun.

Anormal durum	Olası nedeni (arıza)	Çözümü
Motor çalışmıyor.	I-O anahtarını STOP konumuna getirin.	I-O anahtarını ÇALIŞTIRMA konumuna getirin.
	Ana pompa çalışmıyor.	7 ila 10 defa basın.
	Marş ipini çekme hızı yavaş.	Güçlü bir şekilde çekin.
	Yakıt az.	Yakıt doldurun.
	Yakıt filtresi tıkanı.	Temizleyin.
	Yakıt tüpü eğilmiş.	Yakıt tüpünü düzleştirin.
	Yakıt kirlenmiş.	Yakıtın kirlenmesi, motorun çalışmasını zorlaştırır. Yeni yakıt doldurun. (Önerilen değiştirme sıklığı: 1 ay)
	Aşırı yakıt emişi.	Kısma mandalını orta devirden yüksek devire getirin ve motor çalışana kadar marş kolunu çekin. Motor çalışmaya başladığında, kesici parça da dönmeye başlar. Kesici parçaya çok dikkat edin. Motor hala çalışmazsa, bujiyi çıkartın, elektrotun kurumasını sağlayın ve bu parçaları tekrar başlangıçtaki gibi geri takın. Ardından, belirtildiği gibi çalıştırmayı deneyin.
	Buji kapağı çıkmış.	Sağlam bir şekilde takın.
	Buji kirlenmiş.	Temizleyin.
	Normal olmayan buji açıklığı.	Açıklığı ayarlayın.
	Bujide başka bir sorun var.	Değiştirin.
	Karbüratör normal çalışmıyor.	Kontrol ve bakım talebinde bulunun.
	Marş ipi çekilemiyor.	Kontrol ve bakım talebinde bulunun.
Sürüş sistemi normal çalışmıyor.	Kontrol ve bakım talebinde bulunun.	
Motor hemen duruyor. Motor devri yükselmiyor.	Yetersiz ısınma.	Isıtma işlemini uygulayın.
	Motor ısınmasına rağmen jikle kolu "KAPALI" konumunda.	"AÇIK" konumuna getirin.
	Yakıt filtresi tıkanı.	Temizleyin.
	Kirlenmiş veya tıkanmış hava temizleyici.	Temizleyin.
	Karbüratör normal çalışmıyor.	Kontrol ve bakım talebinde bulunun.
	Sürüş sistemi normal çalışmıyor.	Kontrol ve bakım talebinde bulunun.
Metal bıçak dönmüyor. ↓ Motoru derhal durdurun.	Metal bıçak tespit somunu gevşemiş.	Sağlam şekilde sıkın.
	Metal bıçağa ince dal takılmıştır veya kapak engelliyordur.	Yabancı maddeyi temizleyin.
	Sürüş sistemi normal çalışmıyor.	Kontrol ve bakım talebinde bulunun.
Ana ünite aşırı titreşim yapıyor. ↓ Motoru derhal durdurun.	Metal bıçak kırılmış, eğilmiş veya aşınmıştır.	Metal bıçağı değiştirin.
	Metal bıçak tespit somunu gevşemiş.	Sağlam bir şekilde sıkın.
	Metal bıçağın dışbükey kısmı ve metal bıçak destek fittingi kaymıştır.	Sağlam bir şekilde takın.
	Sürüş sistemi normal çalışmıyor.	Kontrol ve bakım talebinde bulunun.
Metal bıçak hemen durmuyor. ↓ Motoru derhal durdurun.	Rölanti hızı yüksek.	Ayarlayın.
	Kısma teli çıkmış.	Sağlam bir şekilde takın.
	Sürüş sistemi normal çalışmıyor.	Kontrol ve bakım talebinde bulunun.
Motor durmuyor. ↓ Motoru rölantide çalıştırın ve jikle kolunu "KAPALI" konumuna getirin.	Konektör çıkmış.	Sağlam bir şekilde takın.
	Elektrik sistemi normal çalışmıyor.	Kontrol ve bakım talebinde bulunun.

Makita Jan-Baptist Vinkstraat 2, 3070, Belgium
Makita Corporation Anjo, Aichi, Japan