

Original Instruction Manual
Instructions d'emploi d'origine
Originalbetriebsanleitung
Manuale di istruzioni originale
Originele gebruiksaanwijzing
Instrucciones de manejo originales
Instruções de serviço original
Original brugsanvisning
Πρωτότυπο εγχειρίδιο οδηγιών
Original Kullanım Kılavuzu

Important:

Read this instruction manual carefully before putting the Petrol Brushcutter into operation and strictly observe the safety regulations!
Preserve instruction manual carefully!

Important :

Veillez lire attentivement ce mode d'emploi avant d'utiliser la débroussailleuse thermique et respectez strictement les consignes de sécurité !
Veillez à conserver ce manuel d'instructions !

Wichtig:

Lesen Sie vor Verwendung der Motorsense diese Betriebsanleitung aufmerksam durch und halten Sie die Sicherheitsbestimmungen strikt ein!
Bewahren Sie diese Betriebsanleitung sorgfältig auf!

Importante:

Leggere attentamente il presente manuale di istruzioni prima di mettere in funzione il decespugliatore a benzina e rispettare scrupolosamente le norme per la sicurezza.
Conservare con cura il manuale di istruzioni.

Belangrijk:

Lees deze gebruiksaanwijzing aandachtig door voordat u de benzinebosmaaier in gebruik neemt en houd u te allen tijde aan de veiligheidsinstructies!
Bewaar deze gebruiksaanwijzing zorgvuldig!

Importante:

¡Lea atentamente este manual de instrucciones antes de utilizar la desbrozadora y cumpla estrictamente la normativa de seguridad!
¡Conserve el manual de instrucciones con cuidado!

Importante:

Leia cuidadosamente este manual de instruções antes de utilizar a Roçadeira a Gasolina e cumpra todas as normas de segurança!
Guarde este manual de instruções num local seguro!

Vigtigt:

Læs denne brugsanvisning omhyggeligt igennem inden du anvender den benzindrevne buskrydder og overhold sikkerhedsbestemmelserne til mindste detalje!
Gem denne brugsanvisning omhyggeligt!

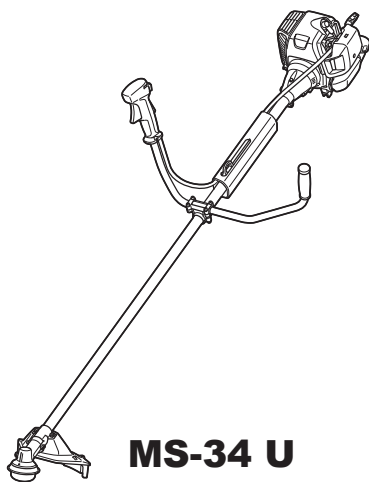
Σημαντικό:

Πριν θέσετε σε λειτουργία τον Βενζινοκίνητο Θαμνοκοπτικό διαβάστε προσεκτικά το παρόν εγχειρίδιο οδηγιών και εφαρμόσετε αυστηρά τους κανονισμούς ασφαλείας.

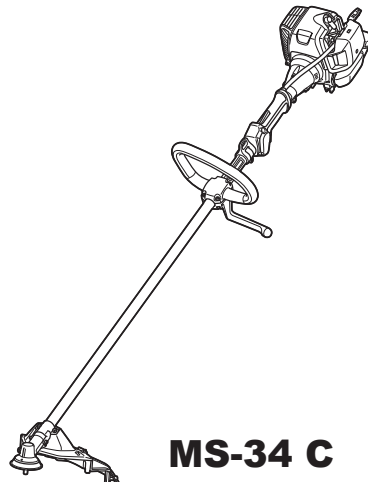
Διατηρήστε με προσοχή το εγχειρίδιο οδηγιών!

Önemli:

Benzinli Yan Tırpanı kullanmaya başlamadan önce bu kullanım kılavuzunu dikkatli bir şekilde okuyun ve güvenlik talimatlarını harfiyen takip edin!
Kullanım kılavuzunu dikkatlice saklayın!



MS-34 U



MS-34 C

DOLMAR



Thank you very much for purchasing the DOLMAR Outdoor Power Equipment. We are pleased to recommend to you the DOLMAR product which is the result of a long development program and many years of knowledge and experience. Please read this booklet which refers in detail to the various points that will demonstrate its outstanding performance. This will assist you to obtain the best possible result from your DOLMAR product.



Table of Contents	Page
Symbols.....	2
Safety instructions.....	3
Technical data.....	7
Designation of parts.....	8
Mounting of handle.....	9
Mounting of protector.....	10
Mounting of cutting tool.....	11
Fuels/refuelling.....	12
Correct handling of machine.....	13
Points in operation and how to stop.....	14
Resharpener the cutting tool.....	15
Servicing instructions.....	18
Storage.....	20
Troubleshooting.....	22

SYMBOLS

You will note the following symbols when reading the instructions manual.

	Read instruction manual and follow the warnings and safety precautions!		Keep the area of operation clear of all persons and pets!
	Take particular care and attention!		Wear protective helmet, eye and ear protection!
	Forbidden!		Top permissible tool speed
	Keep distance!		Fuel and oil mixture
	Flying object hazard!		Engine-manual start
	Kickback!		Emergency stop
	No smoking!		First Aid
	No open flame!		ON/START
	Protective gloves must be worn!		OFF/STOP
	Wear sturdy boots with nonslip soles. Steeltoed safety boots are recommended!		THROTTLE LOCK POSITION

SAFETY INSTRUCTIONS

General Instructions

- Read this instruction manual to become familiar with handling of the equipment. Users insufficiently informed will risk danger to themselves as well as others due to improper handling.
- It is recommended only to lend the equipment to people who have proven to be experienced.
Always hand over the instruction manual.
- First users should ask the dealer for basic instructions to familiarize oneself with the handling of brushcutters.
- Children and young persons aged under 18 years must not be allowed to operate this equipment. Persons over the age of 16 years may however use the device for the purpose of being trained while under supervision of a qualified trainer.
- Use with the utmost care and attention.
- Operate only if you are in good physical condition. Perform all work calmly and carefully. The user has to accept liability for others.
- Never use this equipment after consumption of alcohol or drugs, or if feeling tired or ill.
- National regulation can restrict the use of the machine.

Intended use of the machine

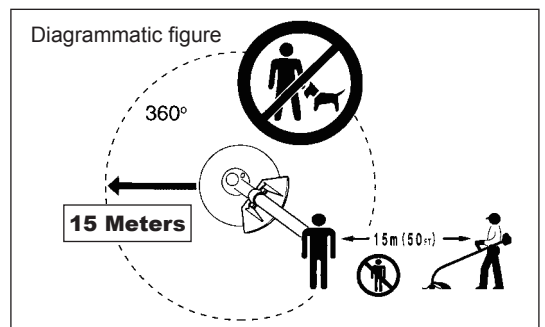
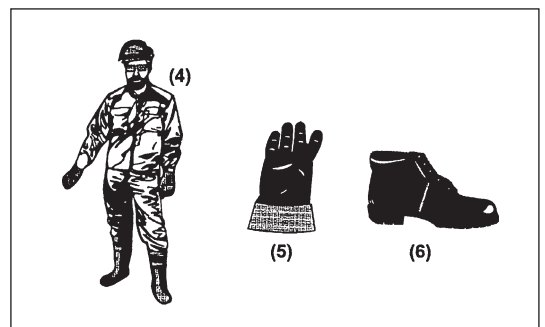
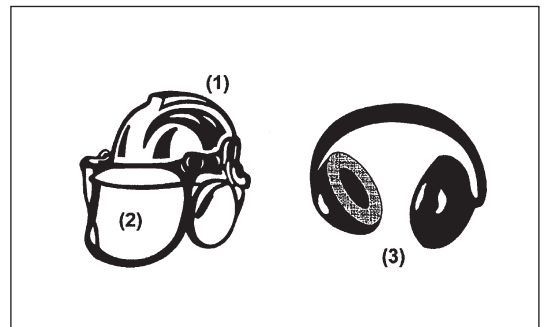
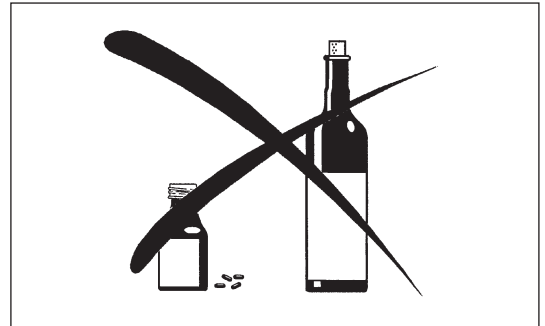
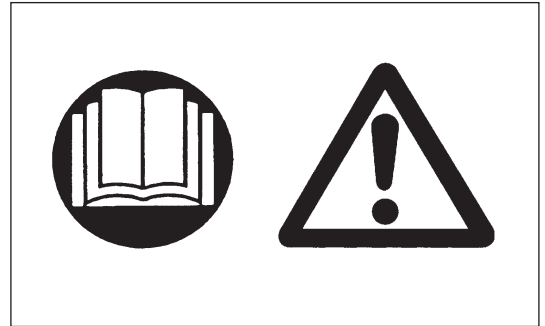
- This equipment is only intended for cutting grass, weeds, bushes, undergrowth. It should not be used for any other purpose such as edging or hedge cutting as this may cause injury.

Personal protective equipment

- The clothing worn should be functional and appropriate, i.e. it should be tight-fitting but not cause hindrance. Do not wear either jewelry or clothing which could become entangled with bushes or shrubs.
- In order to avoid either head-, eye-, hand- or foot injuries as well as to protect your hearing the following protective equipment and protective clothing must be used during operation.
- Always wear a helmet where there is a risk of falling objects. The protective helmet (1) is to be checked at regular intervals for damage and is to be replaced at the latest after 5 years. Use only approved protective helmets.
- The visor (2) of the helmet (or alternatively goggles) protects the face from flying debris and stones. During operation always wear goggles, or a visor to prevent eye injuries.
- Wear adequate noise protection equipment to avoid hearing impairment (ear muffs (3), ear plugs etc.).
- The work overalls (4) protect against flying stones and debris. We strongly recommend that the user wears work overalls.
- Gloves (5) are part of the prescribed equipment and must always be worn during operation.
- When using the equipment, always wear sturdy shoes (6) with a non-slip sole. This protects against injuries and ensures a good footing.

Starting up the brushcutter

- Make sure that there are no children or other people within a working range of 15 meters (50 ft), also pay attention to any animals in the working vicinity.
- Before use always check the equipment is safe for operation:
Check the security of the cutting tool, the throttle lever for easy action and check for proper functioning of the throttle lever lock.
- Rotation of the cutting tool during idling speed is not allowed. Check with your dealer for adjustment if in doubt. Check for clean and dry handles and test the function of the start/stop switch.

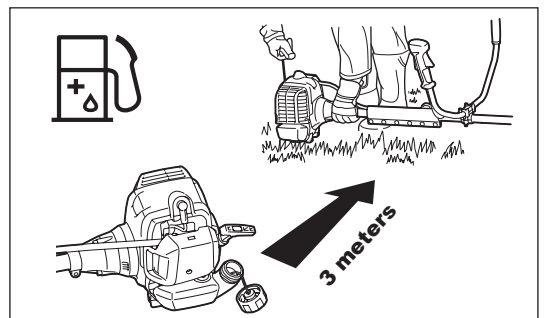
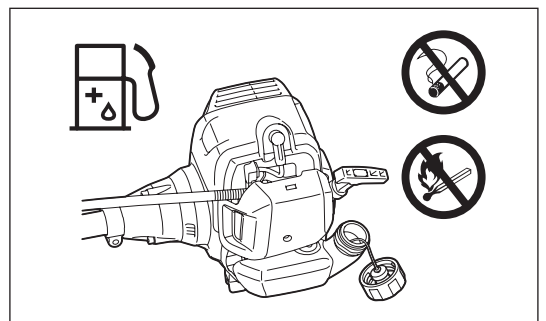
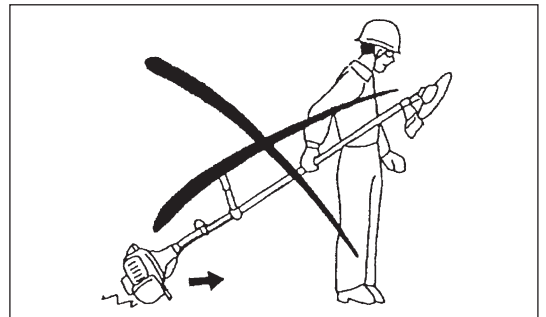
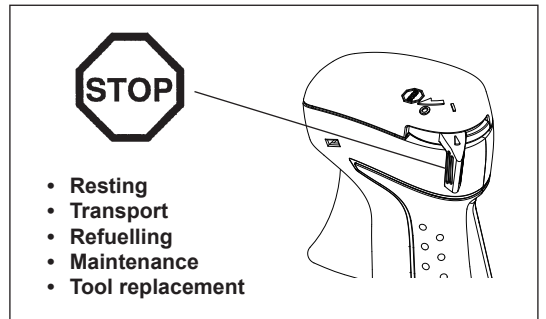
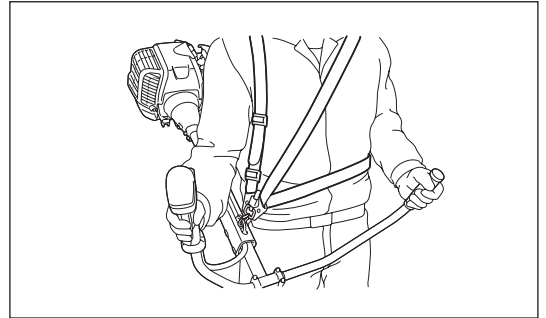
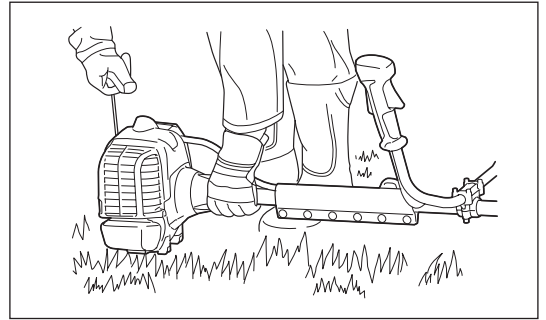


Start the brushcutter only in accordance with the instructions.

- Do not use any other methods for starting the engine!
- Use the brushcutter and the tools only for such applications as specified.
- Only start the engine, after the entire assembly is done. Operation of the device is only permitted after all the appropriate accessories are attached!
- Before starting make sure that the cutting tool has no contact with hard objects such as branches, stones etc. as the cutting tool will revolve when starting.
- The engine is to be switched off immediately in case of any engine problems.
- Should the cutting tool hit stones or other hard objects, immediately switch off the engine and inspect the cutting tool.
- Inspect the cutting tool at short regular intervals for damage (detection of hairline cracks by means of tapping-noise test).
- If the equipment gets heavy impact or fall, check the condition before continuing work. Check the fuel system for fuel leakage and the controls and safety devices for malfunction. If there is any damage or doubt, ask our authorized service center for the inspection and repair.
- Operate the equipment only with the shoulder harness attached which is to be suitably adjusted before putting the brushcutter into operation. It is essential to adjust the shoulder harness according to the user size to prevent fatigue occurring during use. Never hold the cutter with one hand during use.
- During operation always hold the brushcutter with both hands. Always ensure a safe footing.
- Operate the equipment in such a manner as to avoid inhalation of the exhaust gases. Never run the engine in enclosed rooms (risk of gas poisoning). Carbon monoxide is an odorless gas.
- Switch off the engine when resting and when leaving the equipment unattended, and place it in a safe location to prevent danger to others or damage to the machine.
- Never put the hot brushcutter onto dry grass or onto any combustible materials.
- Always install the approved cutting tool guard onto the equipment before starting the engine. Otherwise contact with the cutting tool may cause serious injury.
- All protective installations and guards supplied with the machine must be used during operation.
- Never operate the engine with faulty exhaust muffler.
- Shut off the engine during transport.
- When transporting the equipment, always attach the cover to the metal blade.
- Ensure safe position of the equipment during car transportation to avoid fuel leakage.
- When transporting, ensure that the fuel tank is completely empty.
- When unloading the equipment from the truck, never drop the Engine to the ground or this may severely damage the fuel tank.
- Except in case of emergency, never drop or cast the equipment to the ground or this may severely damage the equipment.
- Remember to lift the entire equipment from the ground when moving the equipment. Dragging the fuel tank is highly dangerous and will cause damage and leakage of fuel, possibly causing fire.
- Avoid contacting to the exhaust muffler. It becomes very hot during operation.
- Do not operate the engine in explosive atmospheres, such as in the presence of flammable liquids, gases or dust. Engine creates sparks which may ignite the dust or fumes.

Refuelling

- Shut off the engine during refuelling, keep away from open flames and do not smoke.
- Avoid skin contact with mineral oil products. Do not inhale fuel vapor. Always wear protective gloves during refuelling. Change and clean protective clothing at regular intervals.
- Take care not to spill either fuel or oil in order to prevent soil contamination (environmental protection). Clean the brushcutter immediately after fuel has been spilled.
- Avoid any fuel contact with your clothing. Change your clothing instantly if fuel has been spilled on it (to prevent clothing catching fire).
- Inspect the fuel cap at regular intervals making sure that it can be securely fastened and does not leak.
- Carefully tighten the fuel tank cap. Change location to start the engine (at least 3 meters away from the place of refuelling).
- Never refuel in closed rooms. Fuel vapors accumulate at ground level (risk of explosions).
- Only transport and store fuel in approved containers. Make sure the fuel stored is not accessible to children.



Method of operation

- Only use in good light and visibility. During the winter season beware of slippery or wet areas, ice and snow (risk of slipping). Always ensure a safe footing.
- Never cut above waist height.
- Never stand on a ladder.
- Never climb up into trees to perform cutting operation.
- Never work on unstable surfaces.
- Remove sand, stones, nails etc. found within the working range. Foreign particles may damage the cutting tool and can cause dangerous kick-backs.
- Before commencing cutting, the cutting tool must have reached full working speed.
- When using metal blades, swing the tool evenly in half-circle from right to left, like using a scythe. If grass or branches get caught between the cutting tool and guard, always stop the engine before cleaning. Otherwise unintentional blade rotation may cause serious injury.
- Take a rest to prevent loss of control caused by fatigue. We recommend to take a 10 to 20-minute rest every hour.

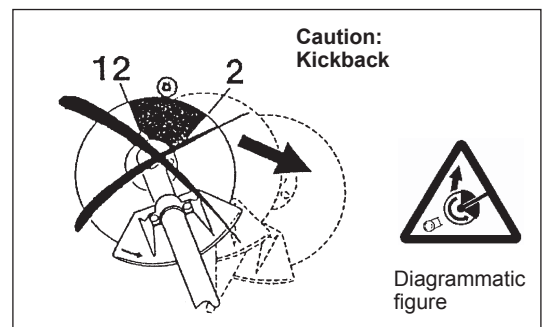


Cutting Tools

- Use an applicable cutting tool for the job in hand. Nylon cutting heads (string trimmer heads) are suitable for trimming lawn grass. Metal blades are suitable for cutting weeds, high grasses, bushes, shrubs, underwood, thicket, and the like. Never use other blades including metal multi-piece pivoting chains and flail blades. Otherwise serious injury may result.
- When using metal blades, avoid “kickback” and always prepare for an accidental kickback. See the section “Kickback.”

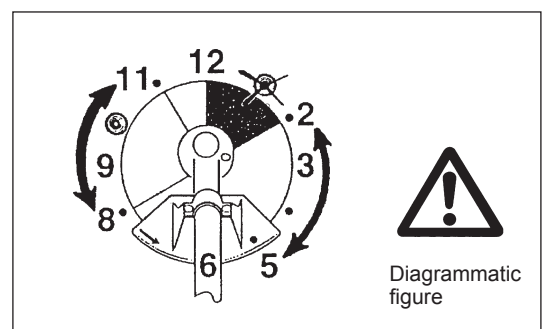
Kickback (blade thrust)

- Kickback (blade thrust) is a sudden reaction to a caught or bound metal blade. Once it occurs, the equipment is thrown sideways or toward the operator at great force and it may cause serious injury.
- Kickback occurs particularly when applying the blade segment between 12 and 2 o'clock to solids, bushes and trees with 3 cm or larger diameter.
- To avoid kickback:
 - Apply the segment between 8 and 11 o'clock;
 - Never apply the segment between 12 and 2 o'clock;
 - Never apply the segment between 11 and 12 o'clock and between 2 and 5 o'clock, unless the operator is well trained and experienced and does it at his/her own risk;
 - Never use metal blades close to solids, such as fences, walls, tree trunks and stones;
 - Never use metal blades vertically, for such operations as edging and trimming hedges.



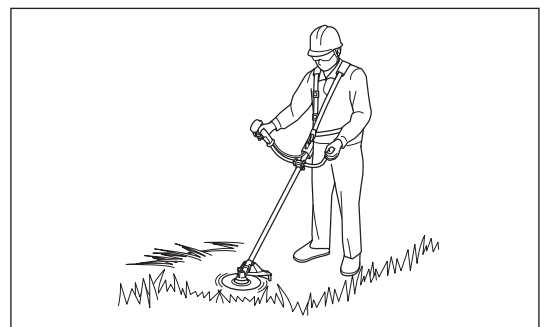
Vibration

- People with poor circulation who are exposed to excessive vibration may experience injury to blood vessels or the nervous system. Vibration may cause the following symptoms to occur in the fingers, hands or wrists: “Falling asleep” (numbness), tingling, pain, stabbing sensation, alteration of skin color or of the skin. If any of these symptoms occur, see a physician!
- To reduce the risk of “white finger disease”, keep your hands warm during operation and well maintain the equipment and accessories.



Maintenance instructions

- Have your equipment serviced by our authorized service center, always using only genuine replacement parts. Incorrect repair and poor maintenance can shorten the life of the equipment and increase the risk of accidents.
- The condition of the cutter, in particular of the cutting tool of the protective devices and also of the shoulder harness must be checked before commencing work. Particular attention is to be paid to the metal blades which must be correctly sharpened.
- Turn off the engine and remove spark plug connector when replacing or sharpening cutting tools, and also when cleaning the cutter or cutting tool.



Never straighten or weld damaged cutting tools.

- Pay attention to the environment. Avoid unnecessary throttle operation for less pollution and noise emissions. Adjust the carburetor correctly.
- Clean the equipment at regular intervals and check that all screws and nuts are well tightened.
- Never service or store the equipment in the vicinity of naked flames.
- Always store the equipment in locked rooms and with an emptied fuel tank.
- When cleaning, servicing and storing the equipment, always attach the cover to the metal blade.



Observe the relevant accident prevention instructions issued by the relevant trade associations and by the insurance companies. Do not perform any modifications to the equipment as this will endanger your safety.

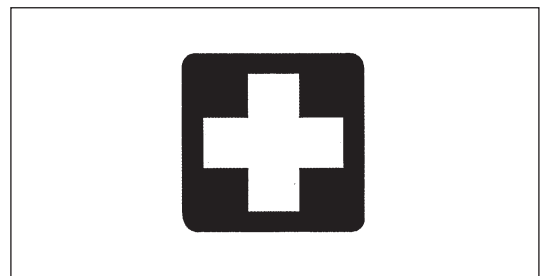
The performance of maintenance or repair work by the user is limited to those activities as described in the instruction manual. All other work is to be done by an Authorized Service Agent. Use only genuine spare parts and accessories released and supplied by DOLMAR. Use of non-approved accessories and tools means increased risk of accidents. DOLMAR will not accept any liability for accidents or damage caused by the use of non-approved cutting tools and fixing devices of cutting tools, or accessories.

First Aid

In case of accident make sure that a first-aid box is available in the vicinity of the cutting operations. Immediately replace any item taken from the first aid box.

When asking for help, please give the following information:

- Place of accident
- What happened
- Number of injured persons
- Kind of injuries
- Your name



For European countries only

EC Declaration of Conformity

Makita declares that the following Machine(s):

Designation of Machine: Petrol Brushcutter
Model No./ Type: MS-34 U, MS-34 C

Conforms to the following European Directives:

2000/14/EC, 2006/42/EC

They are manufactured in accordance with the following standard or standardized documents:

EN ISO 11806-1

The technical file in accordance with 2006/42/EC is available from:

Makita, Jan-Baptist Vinkstraat 2, 3070, Belgium

The conformity assessment procedure required by Directive 2000/14/EC was in accordance with annex V.

MS-34 U (With nylon cutting head):

Measured Sound Power Level: 109.1 dB

Guaranteed Sound Power Level: 110 dB

MS-34 U (With cutter blade):

Measured Sound Power Level: 105.8 dB

Guaranteed Sound Power Level: 106 dB

MS-34 C (With nylon cutting head):

Measured Sound Power Level: 110.4 dB

Guaranteed Sound Power Level: 112 dB

MS-34 C (With cutter blade):

Measured Sound Power Level: 105.9 dB

Guaranteed Sound Power Level: 107 dB

6. 6. 2014



Yasushi Fukaya
Director

Makita, Jan-Baptist Vinkstraat 2, 3070, Belgium

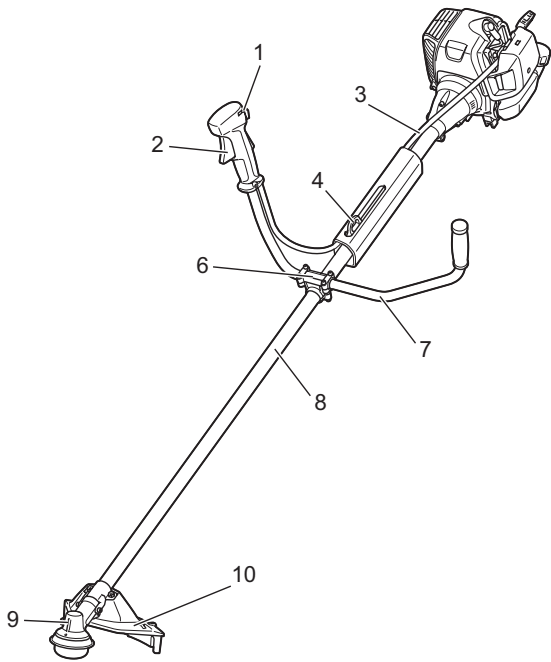
TECHNICAL DATA

Model			MS-34 U		MS-34 C			
Handle type			Bike handle		Loop handle			
Dimensions: length x width x height (without cutting tool)			mm		1,815 x 650 x 435		1,815 x 330 x 270	
Weight (without cutting tool guard and cutting tool)			kg		6.4		6.2	
Volume (fuel tank)			L		0.75			
Engine displacement			cm ³		34.0			
Maximum engine performance			kW		1.15 at 7,000 min ⁻¹			
Engine speed at recommended max. spindle speed			min ⁻¹		10,000			
Maximum spindle speed (corresponding)			min ⁻¹		6,800			
Idling speed			min ⁻¹		2,800			
Clutch engagement speed			min ⁻¹		4,100			
Carburetor			type		WALBLO WYJ			
Spark plug			type		NGK BPMR7A			
Electrode gap			mm		0.6 - 0.7			
					NYLON CUTTING HEAD	METAL BLADE	NYLON CUTTING HEAD	METAL BLADE
Vibration per ISO 22867	Right handle (Rear grip)	a _{hv eq}	m/s ²	4.1	4.0	4.6	4.3	
		Uncertainty K		m/s ²	1.0	0.5	2.0	1.0
	Left handle (Front grip)	a _{hv eq}	m/s ²	4.4	4.3	5.5	5.4	
		Uncertainty K		m/s ²	1.8	1.2	1.4	1.0
Sound pressure level average to ISO 22868			L _{PA eq}	dBA	95.0	92.7	95.9	91.3
			Uncertainty K		dBA	2.5	0.7	1.0
Sound power level average to ISO 22868			L _{WA eq}	dBA	109.1	105.8	110.4	105.9
			Uncertainty K		dBA	1.0	0.4	1.6
Mixture ratio (Fuel: DOLMAR 2-stroke oil)			50 : 1					
Cutting tools (cutter blade dia.)			mm		255 (with 4-tooth blade)			
Gear ratio			13/19					

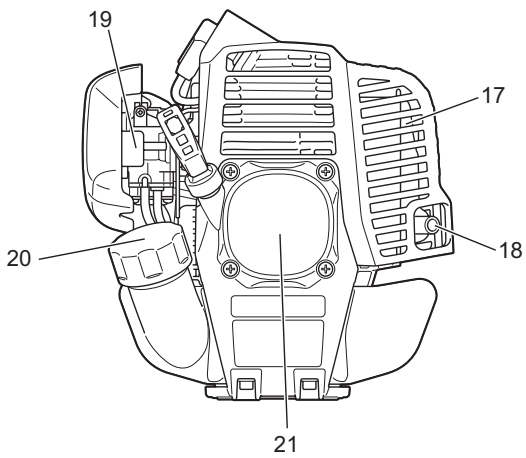
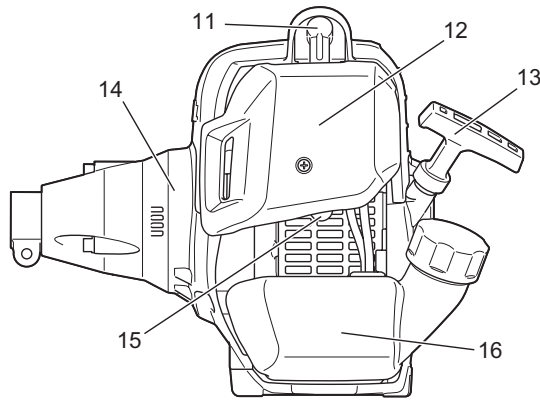
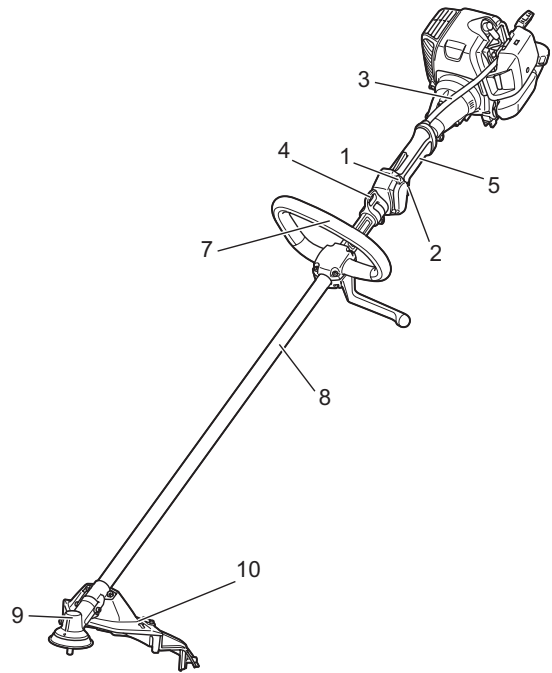
- Due to our continuing program of research and development, the specifications herein are subject to change without notice.
- Specifications may differ from country to country.

DESIGNATION OF PARTS

MS-34 U



MS-34 C



DESIGNATION OF PARTS	
1	I-O switch (on/off)
2	Throttle lever
3	Control cable
4	Hanger
5	Rear grip
6	Handle holder
7	Handle
8	Shaft
9	Gear case
10	Protector (Cutting tool guard)
11	Spark plug
12	Air cleaner
13	Starter knob
14	Clutch case
15	Primer pump
16	Fuel tank
17	Exhaust muffler
18	Exhaust pipe
19	Choke lever
20	Fuel tank cap
21	Recoil starter

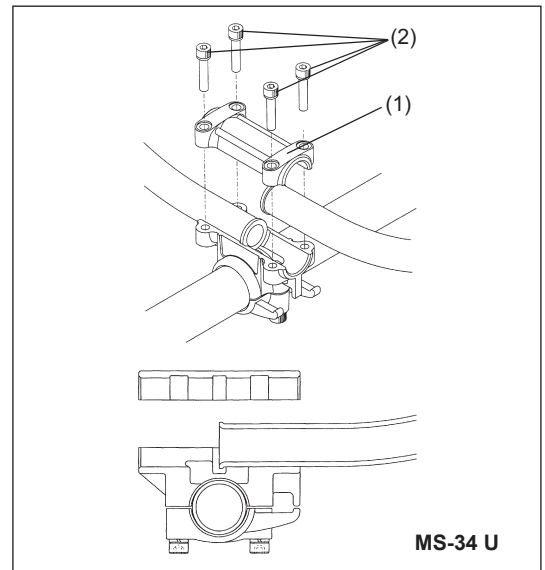
MOUNTING OF HANDLE

CAUTION: Before doing any work on the equipment, always stop the engine and pull the spark plug connector off the spark plug.
Always wear protective gloves!

CAUTION: Start the engine only after having assembled it completely.

For bike handle models

- Place the handle with the throttle lever on the handle holder on the right side (to be held by the right hand) and the other on the left side.
- Fit the handle edge to the handle holder groove, and provisionally fix the upper side (1) of the handle holder by four bolts M5 x 25 (2).
- Adjust the handle to an angle easy to manipulate, and tighten the bolt (2) uniformly on the right and left sides.



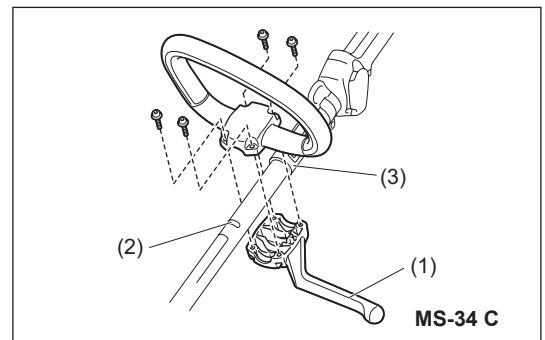
For loop handle models

- Fix a barrier (1) to the left side of the machine together with the handle for operator protection.
- Make sure that the grip/barrier assembly is fitted between the spacer and the arrow mark (2).

⚠ WARNING: Do not remove or shrink the spacer (3). The spacer keeps a certain distance between both hands. Setting the grip/barrier assembly close to the other grip beyond the length of the spacer may cause loss of control and serious personal injury.

NOTE:

- In some countries the spacer is not included. In that case fit the grip/barrier assembly between arrow marks.

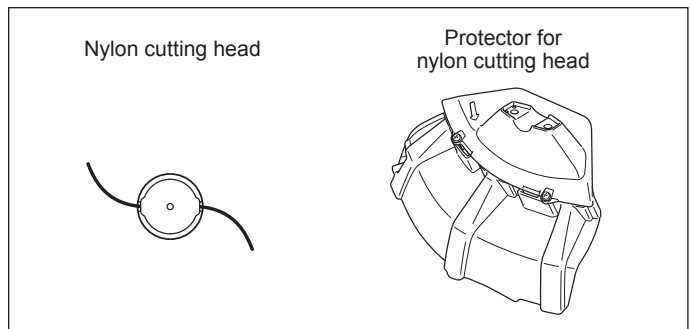
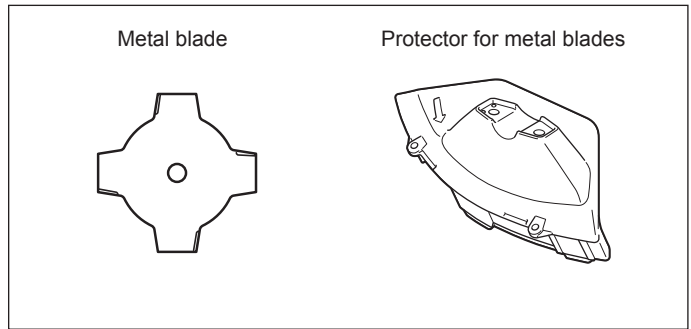


MOUNTING OF PROTECTOR

To meet the applicable safety provisions, only the tool/protector combinations as indicated in the table must be used.

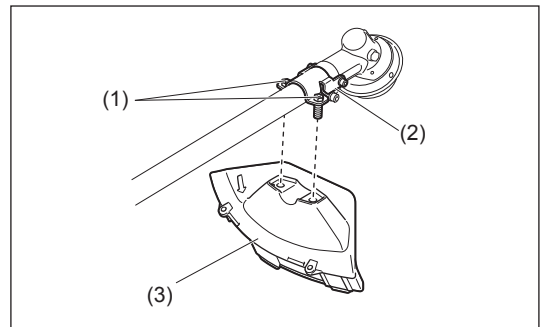
CAUTION: The appropriate protector must always be installed, for your own safety and in order to comply with accident prevention regulations. Operation of the equipment without the guard being in place is not permitted.

NOTE: The standard combination of cutting tool differs from county to country.



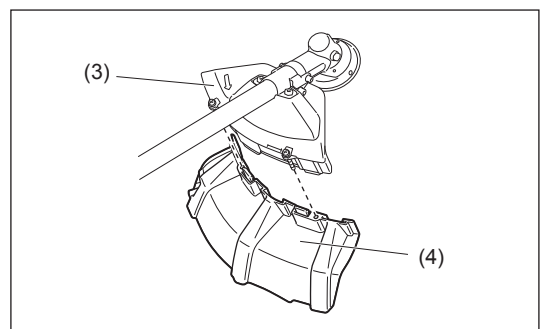
– In use of the metal blade, fix the protector (3) to the clamp (2) with two bolts (1).

NOTE: Tighten the right and left bolts evenly so that the gap between the clamp (2) and the protector (3) will be constant. Otherwise, the protector sometimes may not function as specified.



– In cases where the nylon cord cutter is to be used, be sure to mount the nylon cord cutter protector (4) onto the metal blade protector (3).

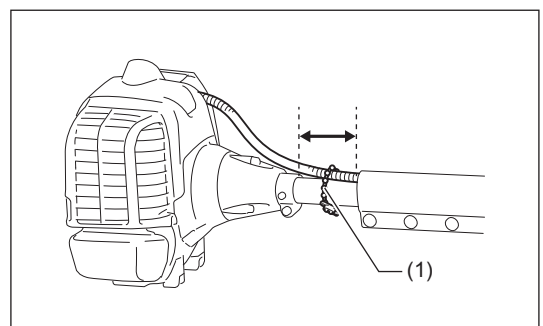
CAUTION: Take care not to injure yourself on the cutter for cutting the nylon cord.



(For model MS-34 U only)

Attaching the fastener

Fix the control cable and shaft by the fastener (1) in the area shown in the figure.



MOUNTING OF CUTTING TOOL

Be sure to use genuine DOLMAR metal blades or nylon cutting head.

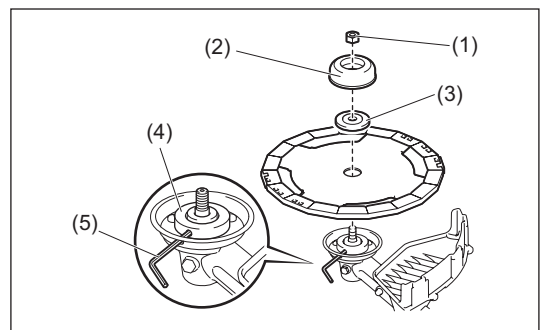
- The metal blade must be well cleaned, free of cracks or breakage. If the metal blade hits against a stone during operation, stop the engine and check the blade immediately.
- Clean or replace the metal blade every three hours of operation.
- If the nylon cutting head hits against a hard object such as stone during operation, stop the engine and check the nylon cutting head immediately.

CAUTION: The appropriate protector must always be installed, for your own safety and in order to comply with accident-prevention regulations. Operation of the equipment without the guard being in place is not permitted.
The outside diameter of the cutter blade must be 255 mm (10") or less. Never use any blades exceeding 255 mm (10") in outside diameter.

CAUTION: Make sure that the cutting tool is securely attached before operation.

Turn the machine upside down, and you can replace the metal blade or nylon cutting head easily.

- Insert the hex wrench (5) through the hole in the gear case and rotate the receive washer (4) until it is locked with the hex wrench.
- Loosen the nut (1) (left-hand thread) with the socket wrench and remove the nut (1), cup (2), and clamp washer (3).

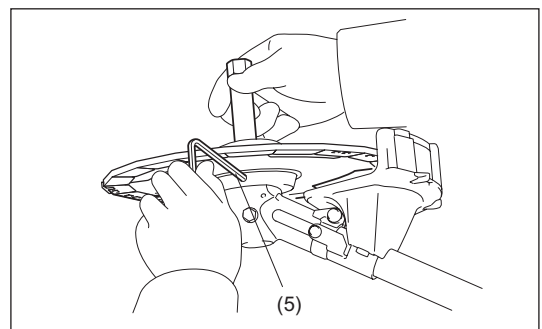


Mounting of metal blade with the hex wrench (5) still in place

- Mount the metal blade onto the shaft so that the guide of the receive washer (4) fits in the arbor hole in the metal blade. Install the clamp washer (3), cup (2), and secure the metal blade with the nut (1).
[Tightening torque: 13 - 23 N-m]

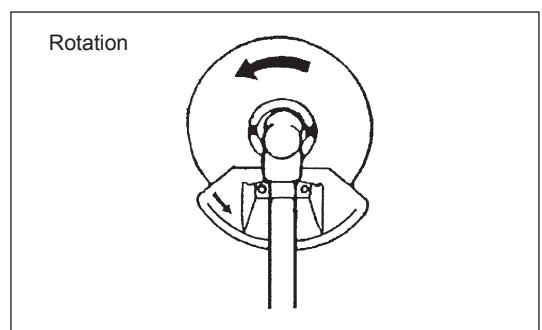
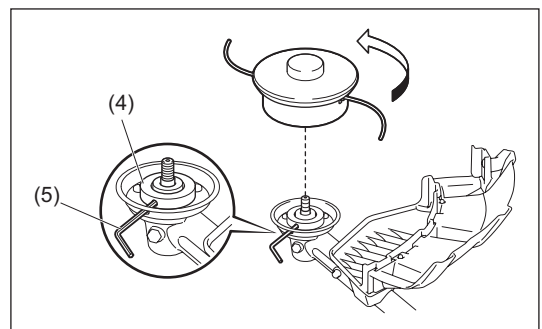
NOTE: Always wear gloves when handling the metal blade.

NOTE: The metal blade-fastening nut (with spring washer) is a consumable part. If there appears any wear or deformation on the spring washer, replace the nut.



Mounting of nylon cutting head

- The clamp washer (3), cup (2), and nut (1) are not necessary for mounting the nylon cutting head. The nylon cutting head should go on top of the receive washer (4).
- Insert the hex wrench (5) through the hole in the gear case and rotate the receive washer (4) until it is locked with the hex wrench.
- Then screw the nylon cutting head onto the shaft by turning it counter-clockwise.
- Remove the hex wrench (5).



Handling petroleum products

Utmost care is required when handling fuel. Fuel may contain substances similar to solvents. Refuel either in a well ventilated area or outdoors. Do not inhale fuel vapors, avoid any contact of fuel or oil with your skin.

Mineral oil products degrease your skin. If your skin comes in contact with these substances repeatedly and for an extended period of time, various skin diseases may result. In addition, allergic reactions are known to occur. Eyes can be irritated by contact with oil, fuel etc.

If oil comes into your eyes, immediately wash them with clear water.

If your eyes are still irritated, see a doctor immediately.

Fuel and oil mixture

The engine of the brushcutter is a high-efficiency two-stroke engine.

It is run with a mixture of fuel and two-stroke engine oil. The engine is designed to use unleaded regular fuel with a min. Octane value of 91 RON. If no such fuel is available, you can use fuel with a higher octane value. This will not affect the engine, but may cause poor operating behavior.

A similar situation will arise from the use of leaded fuel. To obtain optimum engine performance and to protect your health and the environment, only unleaded fuel should be used!

For engine lubrication use a two-stroke engine oil (quality grade: JASO FC or ISO EGD), which is added to the fuel. The engine has been designed to use DOLMAR two-stroke engine oil at mixture ratio of 50:1 to protect the environment. In addition, a long service life and reliable operation with a minimum emission of exhaust gasses is assured. It is absolutely essential to observe a mixture ratio of 50:1 DOLMAR 2-stroke engine oil. Otherwise reliable function of the brushcutter cannot be guaranteed.

The correct mixture ratio:

Mix 50 parts gasoline with 1 part DOLMAR 2-stroke engine oil (see table on right).

NOTE: For preparing the fuel-oil mixture first mix the entire oil quantity with half of the fuel required in an approved can which meets or exceeds all local code standards, then add the remaining fuel. Thoroughly shake the mixture before filling it into the brushcutter tank. It is not wise to add more engine oil than specified to ensure safe operation. This will only result in a higher production of combustion residues which will pollute the environment and clog the exhaust channel in the cylinder, the spark plugs as well as the muffler. In addition, fuel consumption will rise and the performance will be decreased.

Refuelling

Never perform refuelling operations in a closed, unventilated area.

The engine must be switched off!

- Thoroughly clean the area around the tank cap, to prevent dirt from getting into the fuel tank (1).
- Unscrew the tank cap (2) and fill the tank with fuel.
- Never fill the fuel tank to the very top.
- Securely screw on the tank cap.
- Wipe the screw plug and tank with an absorbent after refuelling!
Allow cloths to dry and discard in a proper container.

NOTE: In some countries, the tank cap does not have the strap (3).

Storage of Fuel



Fuel cannot be stored for an unlimited period of time.

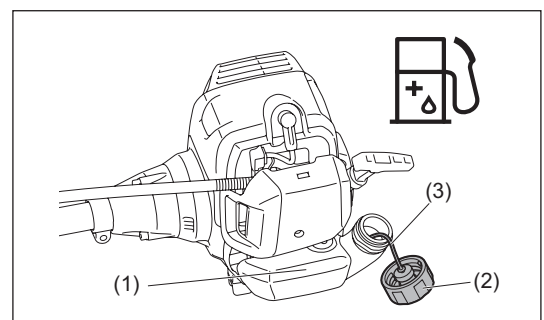
Purchase only the quantity required for a 4 week operating period. Only use approved fuel storage containers.



Observe the Safety Instructions on page 4!



Gasoline (premium unleaded)	+	50:1 Oil
		
1,000 cc (1 L)		20 cc
5,000 cc (5 L)		100 cc
10,000 cc (10 L)		200 cc



CORRECT HANDLING OF MACHINE

WARNING: Failure to maintain complete control of the machine at all could result in serious bodily injury or DEATH.

Attachment of shoulder strap

- Adjust the strap length so that the cutter blade will be kept parallel with the ground.

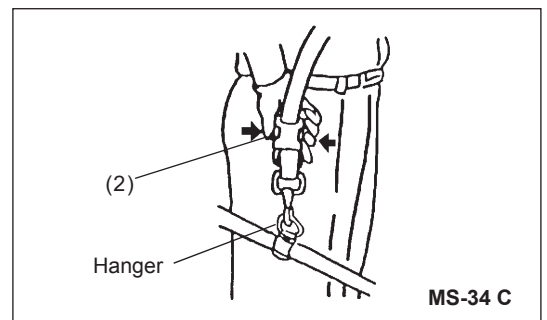
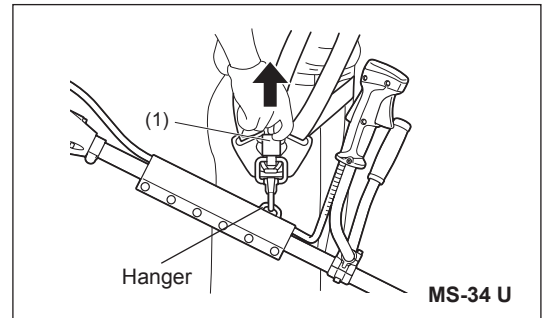
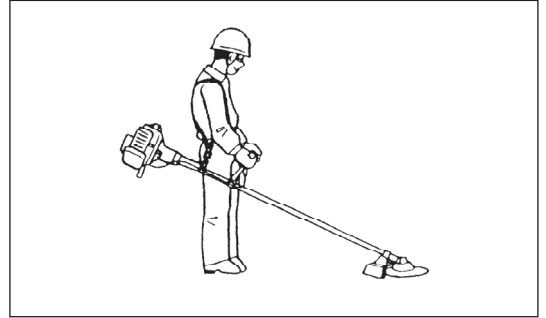
Detachment

For MS-34 U

- In an emergency, pull up the hook (1) to detach the machine from you. Be extremely careful to maintain control of the machine at this time. Do not allow the machine to be deflected toward you or anyone in the work vicinity.

For MS-34 C

- In an emergency, push the notches (2) at both sides, and you can detach the machine from you. Be extremely careful to maintain control of the machine at this time. Do not allow the machine to be deflected toward you or anyone in the work vicinity.



POINTS IN OPERATION AND HOW TO STOP

CAUTION : Observe the applicable accident prevention regulations!

STARTING

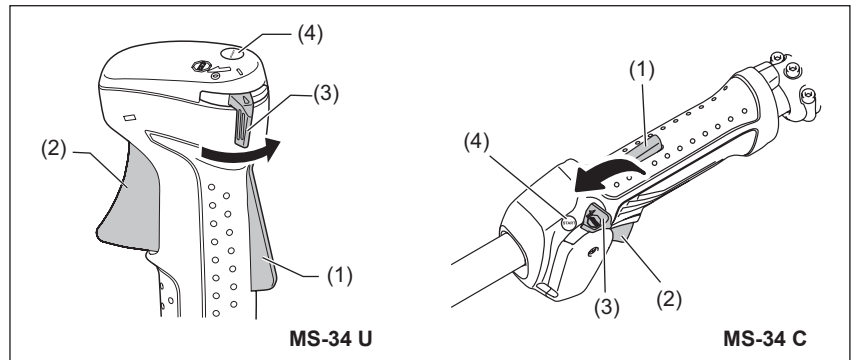
WARNING: Pay attention that the cutting tool rotates immediately after engine starts. Make sure that the cutting tool has no contact with hard objects such as branches, stones etc.

CAUTION:

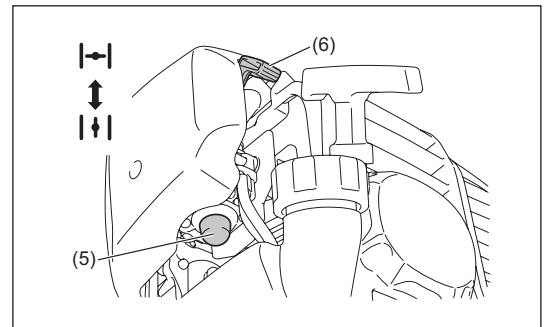
- Move at least 3 m away from the place of refuelling. Place the unit on the ground taking care that the cutting tool does not come into contact with the ground or any other objects.
- Never pull the rope to the full extension. Once the starter knob is pulled, never release your hand immediately. Hold the starter knob until it returns to its original point.

A: Cold start

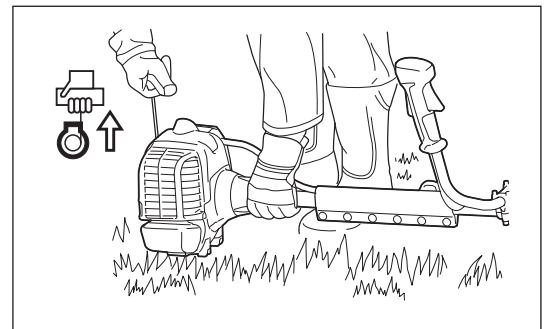
- 1) Set this machine on a flat space.
- 2) Grasp the handle (the safety lock-off (1) is released by the grasp).
- 3) Press the throttle lever (2) and hold it down.
- 4) Slide the I-O switch (3) to START (4). It makes the throttle lever become half-throttle lock state.



- 5) Give a gentle push on the primer pump (5) repeatedly (7-10 times) until fuel comes into the primer pump.
- 6) Move the choke lever (6) to the top position (|⇌| - closed choke).



- 7) Firmly hold the unit by your left hand.
- 8) Pull the starter knob gently until feeling compression. Then pull it strongly.
- 9) Repeat the starting operation until initial ignitions are heard.
- 10) When the engine starts, return the choke lever to “|⇓| - open choke” position.
- 11) As soon as the engine starts, immediately grasp the handle (the safety lock-off is released by the grasp) and pull the throttle trigger for a little, and release it. (It releases the half-throttle lock state and the engine runs in idle.)
- 12) Run the engine for approximately one minute at moderate speed before applying full throttle.



B: Warm start

- Same as described above, except without moving the choke lever (choke lever remains “|⇓| - open choke” position).

NOTE:

In case of excessive fuel intake, remove the spark plug and pull the starter handle slowly to remove excess fuel. Also, dry the electrode section of the spark plug.

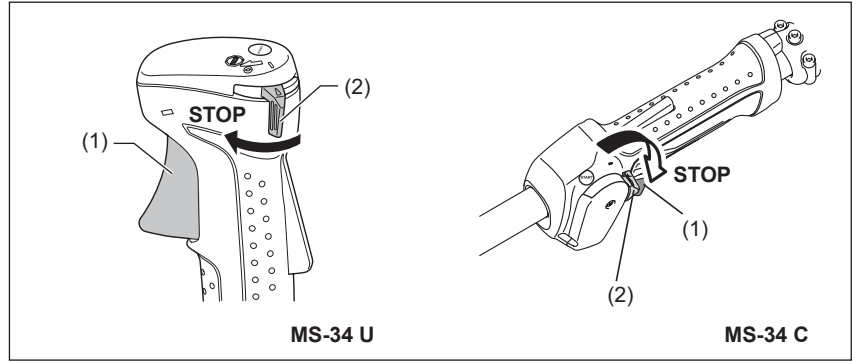
Caution during operation: If the throttle lever is opened fully in a no-load operation, the engine rotation is increased to 10,000 min⁻¹ or more. Never operate the engine at higher speed than required. Operate the engine at an approximate speed of 6,000 - 8,000 min⁻¹.

STOPPING

- 1) Release the throttle lever (1) fully.
- 2) When the engine revolution becomes lowered, set the I-O switch (2) to STOP position.

CAUTION:

Be aware that the cutting head may not stop immediately.
Allow it to slow down fully.

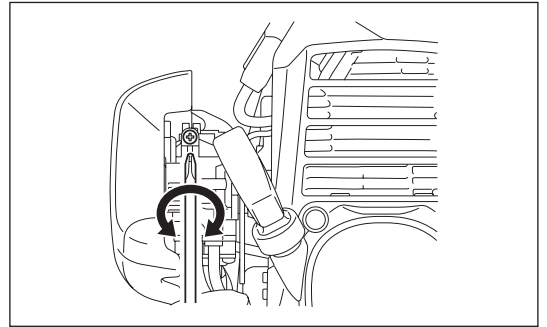


ADJUSTMENT OF IDLE SPEED

When it is necessary to adjust the idle speed, perform it by the carburetor adjusting screw.

CHECKUP OF IDLE SPEED

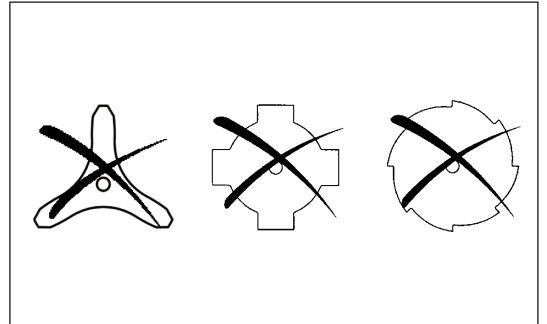
- Set the idle speed to 2,800 min⁻¹.
If it is necessary to change the idle speed, use a phillips head screw driver on the screw.
- To increase the idle speed, turn the adjusting screw clockwise.
To reduce the idle speed, turn the adjusting screw counterclockwise.
- The carburetor is factory adjusted. However, after several use the idle speed need to be re-adjusted.



RESHARPENING THE CUTTING TOOL

CAUTION: The cutting tools shown in the illustration are not to be sharpened. Manual resharpening will result in imbalances of the cutting tool causing vibrations and damage to the equipment.

NOTE: To increase the service life of the cutter blade, it may be turned over once, until both cutting edges have become blunt.



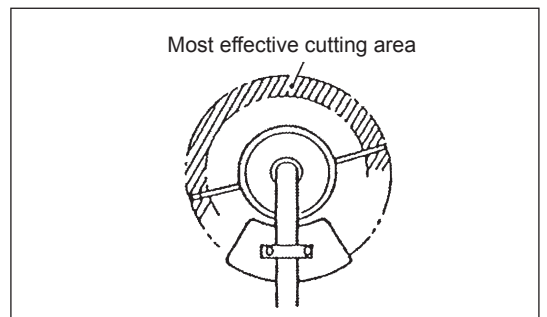
NYLON CUTTING HEAD

The nylon cutting head is a dual line trimmer head that has bump & feed mechanism.

The nylon cutting head feeds out the nylon cord after tapping the trimmer head on the ground.

Operation

- Increase the nylon cutting head speed to approx. 6,000 min⁻¹.
Bump the nylon cutting head lightly on the ground.
- The most effective cutting area is shown by the shaded area.
- If the nylon cord does not feed out, rewind/replace the nylon cord by following the procedures described under "Replacing the nylon cord."

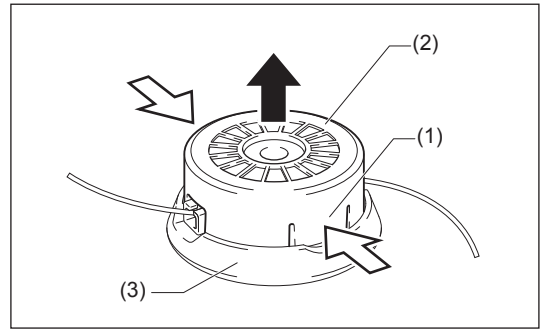


Replacing the nylon cord (BUMP & FEED)

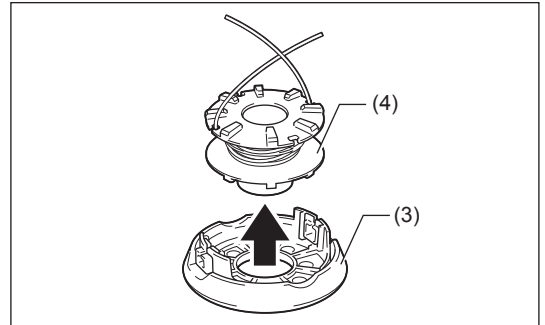
⚠ WARNING:

- Make sure that the cover of the nylon cutting head is secured to the housing properly as described below. Failure to properly secure the cover may cause the nylon cutting head to fly apart resulting in serious personal injury.

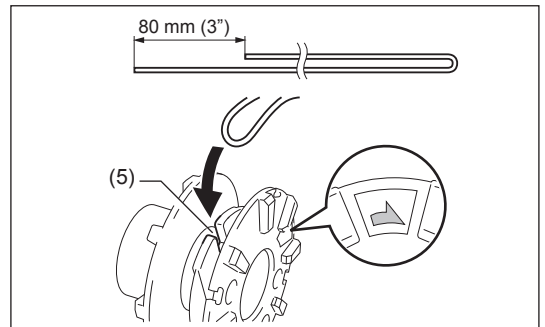
1. Press the latches (1) on the housing (2) inwards and lift upward to remove the cover (3).



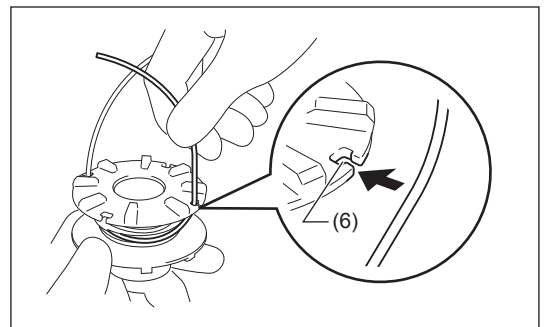
2. Release the nylon cord from the eyelet. And remove the spool (4) from the cover. Discard any of the remaining nylon cord.



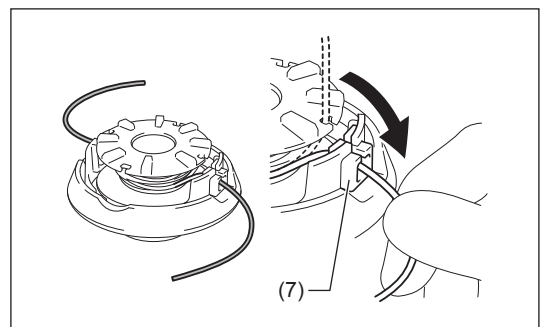
3. Hook the middle of the new nylon cord to the notch (5) located at the center of the spool between the 2 channels. One side of the cord should be about 80 mm (3") longer than the other side. Wind both ends firmly around the spool in the direction of arrow mark on the spool.



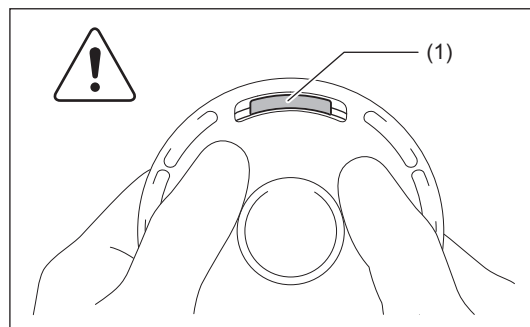
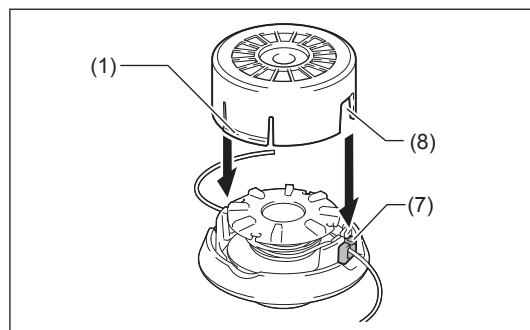
4. Wind all but about 100 mm (4") of the cords, leaving the ends temporarily hooked through notches (6).



5. Mount the spool in the cover as holding notches meet the eyelets (7). Unhook the ends of the cord from their temporary position and feed the cords through the eyelets.



6. Align the square slits (8) on the housing with the eyelets (7). Then push the housing firmly onto the cover to secure it. Make sure the latches (1) fully spread in the cover.



SERVICING INSTRUCTIONS

CAUTION: Before doing any work on the equipment, always stop the engine and pull the plug cap off the spark plug (see “checking the spark plug”).
Always wear protective gloves!

To ensure a long service life and to avoid any damage to the equipment, the following servicing operations should be performed at regular intervals.

Daily checkup and maintenance

- Before operation, check the machine for loose screws or missing parts. Pay particular attention to the tightness of the metal blade or nylon cutting head.
- Before operation, always check for clogging of the cooling air passage and the cylinder fins. Clean them if necessary.
- Perform the following work daily after use:
 - Clean the equipment externally and inspect for damage.
 - Clean the air filter. When working under extremely dusty conditions, clean the filter the several times a day.
 - Check the blade or the nylon cutting head for damage and make sure it is firmly mounted.
 - Check that there is sufficient difference between idling and engagement speed to ensure that the cutting tool is at a standstill while the engine is idling (if necessary reduce idling speed).
If under idling conditions the tool should still continue to run, consult your nearest Authorized Service Agent.
- Check the functioning of the I-O switch, the lock-off lever, the throttle lever, and the lock button.

CLEANING OF AIR CLEANER



WARNING: Shut off the engine, keep away from open flames and do not smoke.

Interval of Cleaning and Inspection: Daily (every 10 operating hours)

- Turn the choke lever (4) to the full close side, and keep the carburetor off from dust or dirt.

Removing air cleaner cover

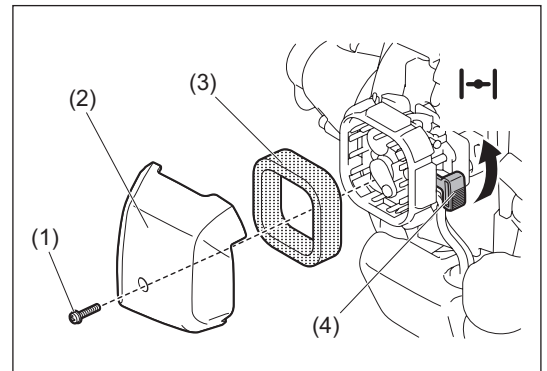
- Remove the screw (1), and remove the air cleaner cover (2).

Cleaning element

- Remove the element (3) and tap them to remove dirt.
- For heavy contamination:
Remove the sponge element, wash it in water diluted detergent and dry it completely.
- After the element is dried, dip it into 2 stroke engine oil, then wring it out to remove excess oil.
- Before attaching the sponge element, make sure that the oil is applied onto the element evenly. Excess oil may lead to difficult start-up.
- Wipe out oil adhering around the air cleaner cover with cloth.

Attaching air cleaner cover

- After cleaning, return the sponge element. Return the air cleaner cover. And then fasten it with the screw.



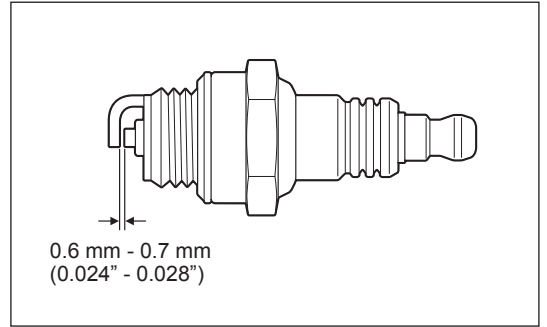
NOTICE:

- If there is excessive dust or dirt adhering to the air cleaner, clean it everyday. Dirty elements reduce engine power and make starting engine difficult.
- Remove oil on the elements. If operation continues with the elements remaining not cleared of oil, oil in the air cleaner may fall outside, resulting in contamination of the environment.
- Do not put the elements on the ground or dirty place. Otherwise they pick up dirt or debris and it may damage the engine.
- Never use fuel for cleaning the elements. Fuel may damage them.

CHECKING THE SPARK PLUG

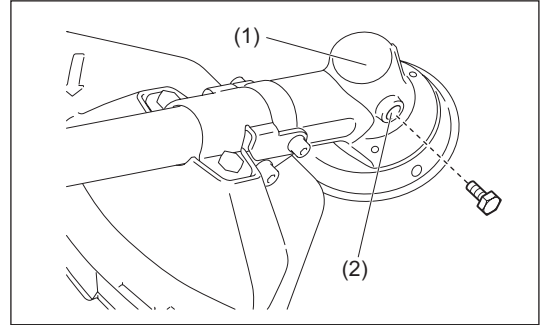
- Only use the supplied universal wrench to remove or to install the spark plug.
- The gap between the two electrodes of the spark plug should be 0.6 - 0.7 mm (0.024" - 0.028"). If the gap is too wide or too narrow, adjust it. If the spark plug is clogged or contaminated, clean it thoroughly or replace it. Place the plug cap properly as illustrated after checking.

CAUTION: Never touch the spark plug connector while the engine is running (danger of high voltage electric shock).



SUPPLY OF GREASE TO GEAR CASE

- Supply grease (Shell Alvania 2 or equivalent) to the gear case (1) through the grease hole (2) every 30 hours. (Genuine DOLMAR grease may be purchased from your DOLMAR dealer.)



CLEANING OF FUEL FILTER

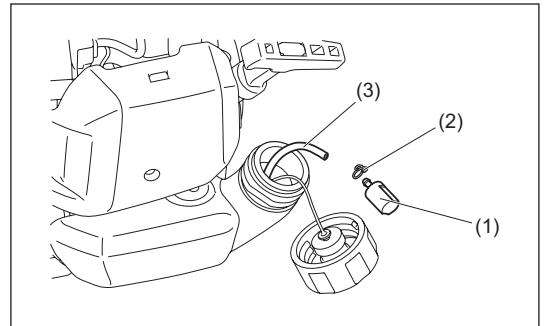
WARNING: INFLAMMABLES STRICTLY PROHIBITED

Interval of inspection: Monthly (every 50 operating hours)

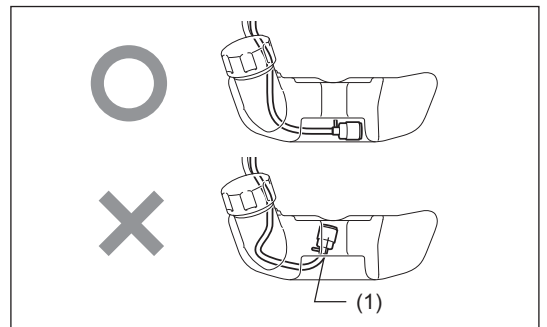
Suction head in the fuel tank

Check the fuel filter (1) periodically. To check the fuel filter, follow the steps below:

1. Remove the fuel tank cap, drain the fuel to empty the tank. Check the tank inside for any foreign materials. If any, remove them.
2. Pull out the suction head by using a wire hook through the tank opening.
3. If the fuel filter clogged slightly, clean it. To clean it, gently shake and tap it in fuel. To avoid damage, do not squeeze or rub it. The fuel used for the cleaning must be disposed in accordance with the method specified by regulations in your country.
If the fuel filter became hard or heavily clogged up, replace it.
4. After checking, cleaning or replacing, insert the fuel filter into the fuel pipe (3) and fix it by the hose clamp (2). Push the fuel filter in all the way to the bottom of the fuel tank.



Clogged or damaged fuel filter can cause insufficient fuel supply and reduce engine power. Replace the fuel filter at least quarterly to ensure satisfactory fuel supply to the carburetor.



REPLACEMENT OF FUEL PIPE

CAUTION: INFLAMMABLES STRICTLY PROHIBITED

Interval of Cleaning and Inspection: Daily (every 10 operating hours)

Replacement: Annually (every 200 operating hours)

Replace the fuel pipe (1) every year, regardless of operating frequency. Fuel leakage may lead to fire.

If any leakage is detected during inspection, replace the fuel pipe immediately.

INSPECTION OF BOLTS, NUTS AND SCREWS

- Retighten loose bolts, nuts, etc.
- Check the fuel cap and oil cap for tightness. Check for fuel and oil leakage.
- Replace damaged parts with new ones for safety operation.

CLEANING OF PARTS

- Always keep the engine clean by wiping down with a cloth rag.
- Keep the cylinder fins free of dust or dirt. Dust or dirt adhering to the fins will cause piston seizure.

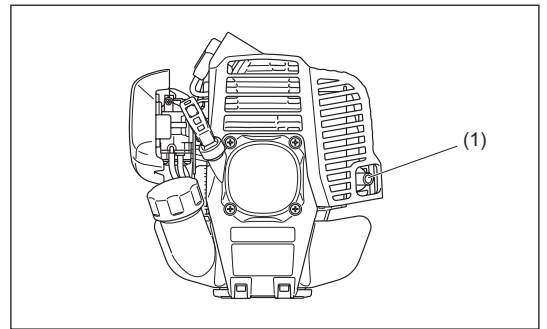
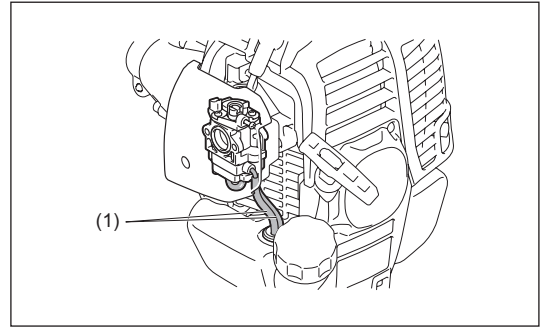
REPLACEMENT OF GASKETS AND PACKINGS

Replace gaskets and packings if the engine is disassembled.

Any maintenance or adjustment work that is not included and described in this manual is only to be performed by Authorized Service Agents.

CLEANING OF MUFFLER EXHAUST PORT

- Check of muffler exhaust port (1) regularly.
- If it is clogged by carbon deposits, carefully scratch the deposits out with a suitable tool.



STORAGE

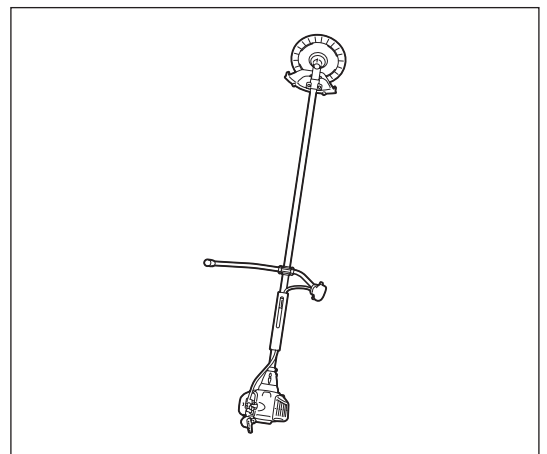


WARNING: The engine is still hot just after stopping engine. When draining the fuel, allow sufficient time for the engine to cool down after stopping it. Otherwise a skin burn and/or fire may result.



DANGER: When the machine is kept out of operation for a long time, drain all fuel from the fuel tank and carburetor, and keep it at a dry and clean place.

- Drain fuel from the fuel tank and carburetor according to the following procedure:
 - 1) Remove the fuel tank cap, and drain fuel completely.
If there is any foreign matter remaining in the fuel tank, remove it completely.
 - 2) Pull out the fuel filter from the refill port using a wire.
 - 3) Push the primer pump until fuel is drained from there, and drain fuel coming into the fuel tank.
 - 4) Put the filter to the fuel tank, and securely tighten the fuel tank cap.
 - 5) Then, continue to operate the engine until it stops.
- Remove the spark plug, and drip several drops of engine oil through the spark plug hole.
- Gently pull the starter handle so that engine oil will spread over the engine, and attach the spark plug.
- Attach the cover to the metal blade.
- In general, store the machine in horizontal position. If it is not possible, place the machine as the motor unit comes below the cutting tool. Otherwise engine oil may leak from inside.
- Keep the drained fuel in a special container in a well-ventilated shade.



Item	Operating time	Before operation	After refueling	Daily (10h)	30h	50h	200h or 1 year, whichever earlier	Before storage	Corresponding P
Tightening parts (bolt, nut)	Inspect	○							20
Fuel tank	Clean	○							—
	Drain fuel							○*2	20
Throttle lever	Check function		○						—
Stop switch	Check function		○						18
Cutting tool	Inspect	○		○					10
Idle speed	Inspect/adjust			○					15
Air cleaner	Clean			○					18
Spark plug	Inspect			○					19
Cooling air passage and cylinder fins	Clean/inspect			○					20
Fuel pipe	Inspect			○					20
	Replace						◎*1		—
Gear-case grease	Refill				○				19
Muffler	Inspect/Clean the opening				○				—
Fuel filter	Clean/replace					○			19
Carburetor	Drain fuel							○*2	20

*1 For the 200 operating hour inspection, request Authorized Service Agent or a machine shop.

*2 After emptying the fuel tank, continue to run the engine and drain fuel in the carburetor.

TROUBLESHOOTING

Before making a request for repairs, check for trouble by yourself. If any abnormality is found, control your machine according to the description of this manual. Never tamper or dismount any part contrary to the description. For repairs, contact Authorized Service Center or local dealership.

State of abnormality	Probable cause (malfunction)	Remedy
Engine does not start.	I-O switch is set to STOP.	Set the I-O switch to START.
	Failure to operate primer pump.	Push 7 to 10 times.
	Low pulling speed of starter rope.	Pull strongly.
	Lack of fuel.	Feed fuel.
	Incorrect choke position.	Set to "CLOSE" (cold start). Set to "OPEN" (warm start).
	Clogged fuel filter.	Replace.
	Bent or blocked fuel tube.	Straighten or replace fuel tube.
	Deteriorated fuel.	Deteriorated fuel makes starting more difficult. Replace with new fuel. (Recommended replacement: 1 month)
	Excessive suction of fuel.	Set throttle lever from medium speed to high speed, and pull starter handle until engine starts. Once engine starts, cutting tool starts rotating. Pay full attention to cutting tool. If engine will not start still, remove spark plug, dry the electrode, and reassemble them as they originally are. Then, start as specified.
	Detached plug cap.	Attach securely.
	Contaminated spark plug.	Clean.
	Abnormal clearance of spark plug.	Adjust clearance.
	Abnormality of spark plug.	Replace.
	Abnormal carburetor.	Make request for inspection and maintenance.
	Starter rope cannot be pulled, or no compression is felt.	Make request for inspection and maintenance.
Abnormal drive/electric system. (I-O switch fault, wiring fault, connector fault, etc.)	Make request for inspection and maintenance.	
Engine stops soon. Engine speed does not increase.	Insufficient warm-up.	Perform warm-up operation.
	Choke lever is set to "CLOSE" although engine is warmed up.	Set to "OPEN".
	Low idle speed.	Adjust idle speed.
	Clogged fuel filter.	Replace.
	Contaminated or clogged air cleaner.	Clean or replace.
	Abnormal carburetor.	Make request for inspection and maintenance.
	Exhaust muffler fault. (clogged, etc.)	Make request for inspection and maintenance.
	Abnormal drive/electric system.	Make request for inspection and maintenance.
Metal blade does not rotate. ↓ Stop engine immediately.	Loosened metal blade-tightening nut.	Tighten securely.
	Twigs caught by metal blade or dispersion-preventing cover.	Remove foreign matter.
	Abnormal drive system.	Make request for inspection and maintenance.
Main unit vibrates abnormally. ↓ Stop engine immediately.	Broken, bent or worn metal blade.	Replace metal blade.
	Loosened metal blade-tightening nut.	Tighten securely.
	Shifted convex part of metal blade and metal blade support fitting.	Attach securely.
	Abnormal drive system.	Make request for inspection and maintenance.
Metal blade does not stop immediately. ↓ Stop engine immediately.	High idle speed.	Adjust idle speed.
	Detached throttle wire.	Attach securely.
	Abnormal drive system.	Make request for inspection and maintenance.
Engine does not stop. ↓ Run engine at idling, and set choke lever to CLOSE.	Detached connector.	Attach securely.
	Abnormal electric system.	Make request for inspection and maintenance.

- When the engine does not start after warm-up operation:
If there is no abnormality found for the check items, open the throttle by about 1/3 and start the engine.
- If there are abnormality other than this chart, contact Authorized Service Center.

Merci beaucoup d'avoir acheté cet appareil électrique pour l'extérieur de DOLMAR. Nous sommes ravis de vous recommander ce produit DOLMAR, résultat d'un long programme de développement et de nombreuses années d'expérience et de connaissances.

Veillez lire ce livret qui explique en détail les nombreuses caractéristiques qui en font un outil d'une performance exceptionnelle. Il vous aidera à obtenir les meilleurs résultats possibles de votre produit DOLMAR.



Table des matières	Page
Symboles.....	23
Consignes de sécurité.....	24
Caractéristiques techniques.....	28
Nomenclature des pièces.....	29
Montage de la poignée.....	30
Montage du dispositif de protection.....	31
Montage de l'outil de coupe.....	32
Carburant/ravitaillement.....	33
Maniement correct de l'appareil.....	34
Avertissements concernant le fonctionnement et la procédure d'arrêt.....	35
Réaffûtage de l'outil de coupe.....	36
Instructions d'entretien.....	39
Entreposage.....	41
Résolution de problèmes.....	43

SYMBOLES

Le manuel d'instruction contient les symboles suivants.

	Lire le manuel d'instructions et respecter les avertissements et précautions de sécurité !		Éloigner les personnes et les animaux du lieu de travail !
	Faire preuve de prudence et de vigilance !		Porter un casque protecteur, des lunettes de protection et des protège-oreilles !
	Interdit !		Vitesse d'outil maximale autorisée
	Restez à distance !		Mélange d'huile et de carburant
	Danger d'objets volants !		Démarrage manuel du moteur
	Choc en retour !		Arrêt d'urgence
	Ne pas fumer !		Premiers secours
	Pas de flammes nues !		SOUS TENSION/DÉMARRAGE
	Porter des gants de protection !		HORS TENSION/ARRÊT
	Porter des bottes robustes équipées de semelles antidérapantes. Les bottes de sécurité à protection métallique à l'avant sont recommandées !		POSITION DE VERROUILLAGE DE L'ACCÉLÉRATEUR

CONSIGNES DE SÉCURITÉ

Instructions générales

- Lisez ce manuel d'instructions pour vous familiariser avec l'utilisation de l'appareil. Sans ces informations, vous risquez de vous mettre en danger ou de blesser d'autres personnes à cause d'une utilisation incorrecte.
- Il est préférable de ne prêter l'appareil qu'à des personnes expérimentées. Prêtez-leur systématiquement le manuel d'instructions.
- Veuillez d'abord solliciter des instructions de base auprès du vendeur, afin de vous familiariser avec le fonctionnement de la débroussailleuse.
- Les enfants et les adolescents de moins de 18 ans ne doivent pas utiliser cet appareil. Les personnes de plus de 16 ans peuvent l'utiliser à des fins de formation, mais sous la supervision d'un formateur agréé.
- Faites preuve d'une extrême vigilance et attention.
- Utilisez l'appareil uniquement si vous êtes en bonne condition physique. Effectuez tout le travail avec calme et prudence. Vous êtes responsable par rapport aux autres personnes.
- N'utilisez jamais cet appareil après avoir consommé de l'alcool ou de la drogue, ou bien si vous vous sentez fatigué ou malade.
- Les lois en vigueur peuvent restreindre l'utilisation de l'outil.

Utilisation prévue de l'outil

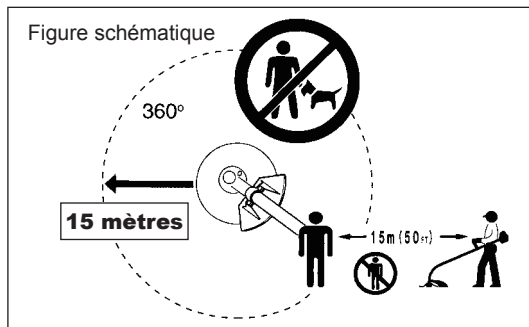
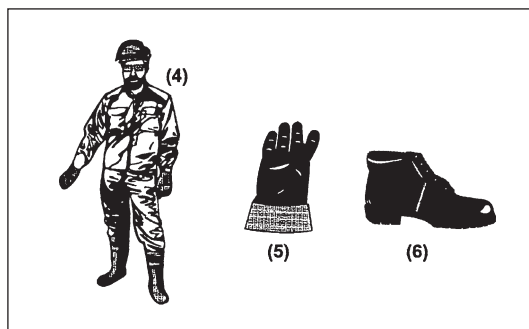
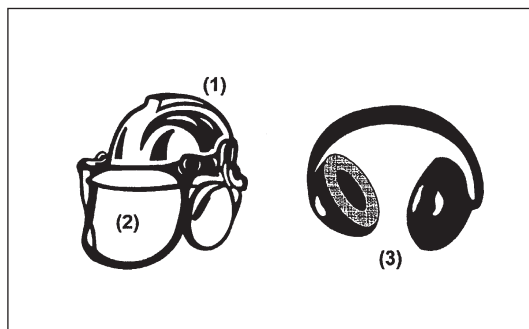
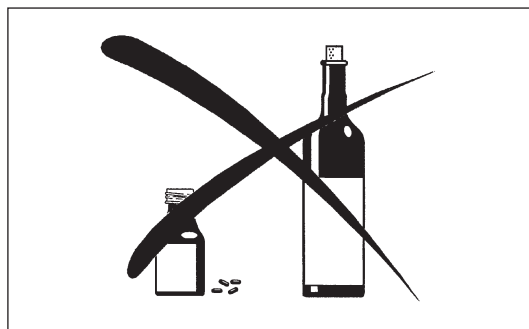
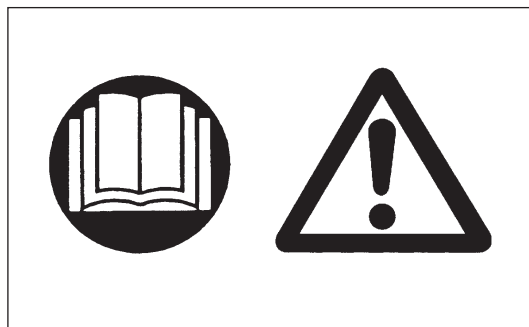
- Cet appareil est destiné uniquement à couper le gazon, les mauvaises herbes, les buissons et les sous-bois. Il ne doit pas être utilisé à d'autres fins, telles que la taille des bordures ou des haies, car cela comporte un risque de blessure.

Équipement de protection individuelle

- Les vêtements que vous portez doivent être fonctionnels et adaptés, c'est-à-dire qu'ils doivent être près du corps, sans pour autant gêner vos mouvements. Ne portez pas de bijoux ou de vêtements qui pourraient s'em mêler dans les taillis ou les petits arbustes.
- L'équipement de protection suivant ainsi que les vêtements de protection doivent être utilisés afin d'éviter des blessures au pied, à la main, aux yeux et à la tête ainsi que pour protéger votre ouïe durant l'utilisation.
- Portez toujours un casque en cas de risque de chute d'objets. Le casque de protection (1) doit être vérifié à intervalles réguliers pour parer à d'éventuels dommages et il doit être remplacé au plus tard tous les 5 ans. N'utilisez que des casques de protection agréés.
- La visière (2) du casque (ou alternativement les lunettes) protège le visage des débris et des pierres qui volent. Pendant l'utilisation, portez toujours des lunettes de protection ou une visière pour éviter toute blessure aux yeux.
- Portez un équipement de protection antibruit adéquat afin d'éviter toute perte auditive (coquilles antibruit (3), bouchons d'oreille etc.).
- Les vêtements de travail (4) protègent contre les débris et les pierres qui volent. Nous vous recommandons fortement de porter des vêtements de travail.
- Les gants (5) font partie de l'équipement prescrit et doivent toujours être portés pendant l'utilisation.
- Lorsque vous utilisez l'appareil, portez toujours des chaussures robustes (6) équipées de semelles anti-dérapantes. Elles vous protégeront des blessures éventuelles et vous assureront une bonne stabilité.

Démarrage de la débroussailleuse

- Éloignez les personnes et les enfants du lieu de travail à une distance minimum de 15 mètres et faites attention aux éventuels animaux présents à proximité.
- Avant l'utilisation, vérifiez toujours que l'appareil ne présente aucun danger : Vérifiez la sécurité de l'outil de coupe, la maniabilité du levier d'accélérateur ainsi que le bon fonctionnement du verrouillage du levier d'accélérateur.
- La rotation de l'outil de coupe au repos est interdite. En cas de doute, vérifiez le réglage avec votre revendeur. Vérifiez que les poignées sont propres et sèches et que l'interrupteur marche/arrêt fonctionne correctement.

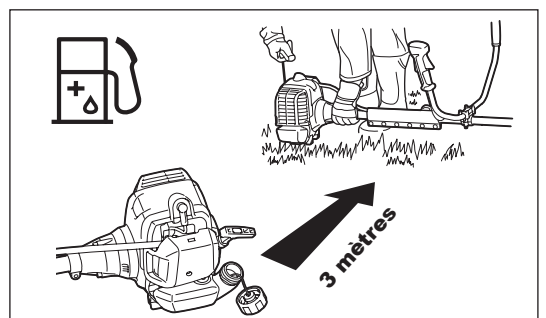
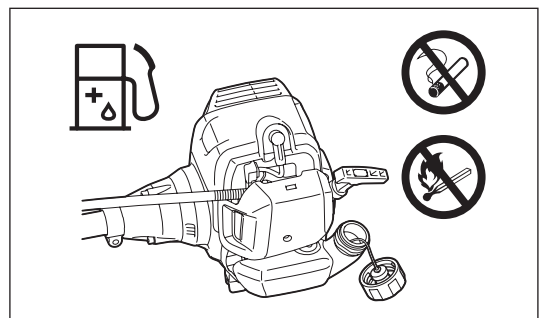
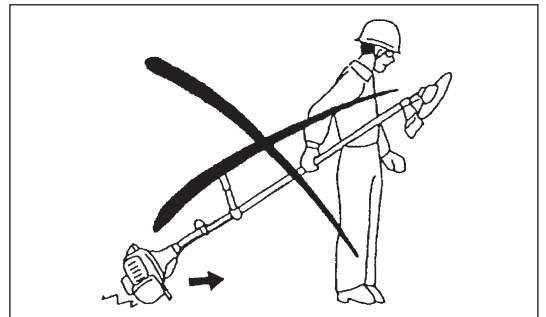
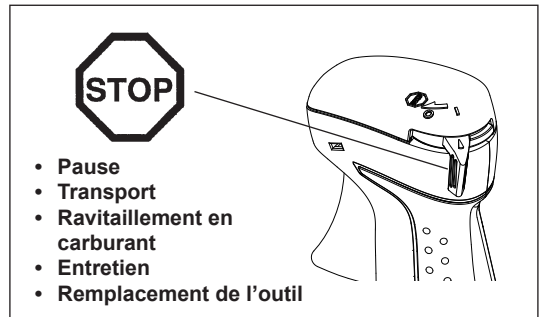
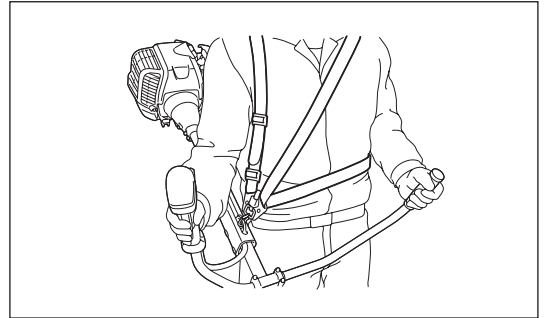
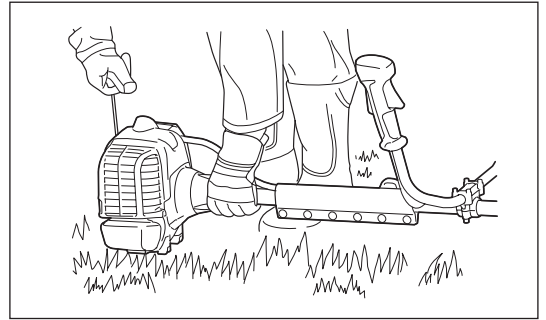


Ne démarrez la débroussailleuse qu'en conformité avec les instructions.

- Ne démarrez pas le moteur selon une autre méthode !
- Utilisez la débroussailleuse et les outils uniquement pour les applications spécifiées.
- Ne démarrez le moteur qu'après avoir procédé au montage complet de l'appareil. Le fonctionnement de l'outil n'est autorisé qu'une fois l'ensemble des accessoires fixés !
- Avant de démarrer, assurez-vous que l'outil de coupe n'est pas en contact avec des objets durs tels que des branches, des pierres, etc. et qu'il tournera au démarrage.
- En cas de problème avec le moteur, éteignez-le immédiatement.
- Si l'outil de coupe heurte des pierres ou d'autres objets durs, arrêtez immédiatement le moteur et examinez l'outil de coupe.
- Examinez l'outil de coupe à intervalles réguliers courts pour vous assurer qu'il n'a pas subi de dommages (détection de fissures capillaires à l'aide du test de tapping).
- En cas de chute ou d'impact de l'appareil, vérifiez qu'il est en bon état avant de poursuivre le travail. Vérifiez qu'il n'y a pas de fuite de carburant dans le circuit d'alimentation, et que les commandes et dispositifs de sécurité fonctionnent correctement. En cas de dommage ou de doute, demandez à un centre d'entretien agréé d'examiner et de réparer l'outil.
- N'utilisez l'appareil qu'avec la bandoulière que vous devez régler correctement avant de mettre la débroussailleuse en marche. Il est très important de régler la bandoulière selon votre taille afin d'éviter toute fatigue supplémentaire pendant l'utilisation. Ne tenez jamais l'outil d'une seule main pendant l'utilisation.
- Tenez toujours la débroussailleuse à deux mains. Assurez-vous toujours d'avoir une bonne stabilité.
- Utilisez l'appareil de façon à éviter d'inhaler les gaz d'échappement. Ne faites jamais tourner le moteur dans une pièce confinée (risque d'intoxication aux gaz). Le monoxyde de carbone est un gaz inodore.
- Éteignez le moteur lorsque vous faites une pause ou laissez l'appareil sans surveillance, et placez-le dans un endroit sûr pour éviter de mettre en danger les autres personnes ou d'endommager l'outil.
- Ne placez jamais la débroussailleuse sur de l'herbe sèche ou des matériaux combustibles.
- Installez toujours le protège-lame de l'outil de coupe approuvé sur l'appareil avant de démarrer le moteur. Sinon, un contact avec l'outil de coupe pourrait causer de graves blessures.
- Vous devez utiliser toutes les installations protectives et protections fournies avec l'outil durant l'utilisation.
- Ne faites jamais fonctionner le moteur si le pot d'échappement est endommagé.
- Éteignez le moteur durant le transport.
- Lorsque vous transportez l'appareil, fixez toujours le couvercle sur la lame métallique.
- Pour éviter toute fuite de carburant, assurez-vous que l'appareil est bien fixé lors des transports en voiture.
- Lors du transport, assurez-vous que le réservoir de carburant est complètement vide.
- Lorsque vous déchargez l'appareil du coffre, ne laissez jamais tomber le moteur au sol, car cela risquerait d'endommager le réservoir de carburant.
- Sauf en cas d'urgence, ne laissez jamais tomber l'appareil et ne le jetez pas sur le sol, au risque de l'endommager grièvement.
- Veillez à soulever l'ensemble du matériel du sol lorsque vous le déplacez. Il est très dangereux de traîner le réservoir de carburant : cela risque de créer des fuites de carburant, voire un incendie.
- Évitez tout contact avec le pot d'échappement. Il devient très chaud lors du fonctionnement.
- Ne faites pas fonctionner le moteur dans les atmosphères explosives, par exemple en présence de liquides, gaz ou poussières inflammables. Le moteur produit des étincelles au contact desquelles la poussières ou les vapeurs peuvent s'enflammer.

Ravitaillement en carburant

- Lors du ravitaillement en carburant, coupez le moteur, éloignez-le des flammes nues et ne fumez pas.
- Évitez tout contact entre la peau et l'essence. N'inhaliez pas les vapeurs de carburant. Portez toujours des gants de protection durant le ravitaillement en carburant. Changez et nettoyez régulièrement les vêtements de protection.
- Veillez à ne pas renverser de carburant ou d'huile, afin d'éviter toute contamination du sol (protection environnementale). Nettoyez immédiatement la débroussailleuse en cas d'écoulement de carburant.
- Évitez tout contact entre vos vêtements et le carburant. Si vous renversez du carburant sur vos vêtements, changez-en immédiatement (pour éviter que vos vêtements ne prennent feu).
- Vérifiez régulièrement le bouchon du réservoir pour vous assurer qu'il est bien fermé et ne fuit pas.
- Serrez soigneusement le bouchon du réservoir de carburant. Déplacez-vous pour démarrer le moteur (placez-vous à 3 mètres au moins de l'endroit où vous avez fait le plein).
- Ne faites jamais le plein dans une pièce confinée. Les vapeurs de carburant s'accumulent au niveau du sol (risque d'explosion).
- Transportez et stockez le carburant uniquement dans des récipients agréés. Assurez-vous que les enfants ne peuvent pas accéder au carburant.



Mode d'emploi

- N'utilisez l'appareil que si les conditions d'éclairage et de luminosité sont satisfaisantes. En hiver, soyez attentif aux zones glissantes ou mouillées, au verglas et à la neige (risque de glissade). Assurez-vous toujours d'avoir une bonne stabilité.
- Ne coupez jamais à une hauteur supérieure aux épaules.
- Ne montez jamais sur une échelle.
- Ne montez jamais dans un arbre pour procéder à la coupe.
- Ne travaillez jamais sur des surfaces instables.
- Enlevez le sable, les pierres, les clous etc., trouvés à l'intérieur du périmètre de travail.
Des corps étrangers peuvent endommager l'outil de coupe et causer des chocs en retour dangereux.
- Avant de commencer à couper, l'outil de coupe doit avoir atteint sa vitesse de travail maximale.
- En cas d'utilisation de lames métalliques, balancez l'outil régulièrement en demi-cercle de droite à gauche, comme si vous utilisiez une faux.
Si de l'herbe ou des branches sont coincées entre l'outil de coupe et le protège-lame, coupez toujours le moteur avant de procéder au nettoyage. Sinon, la rotation imprévue de la lame pourrait causer de graves blessures.
- Reposez-vous pour éviter toute perte de contrôle due à la fatigue. Il est recommandé de faire une pause de 10 à 20 minutes toutes les heures.

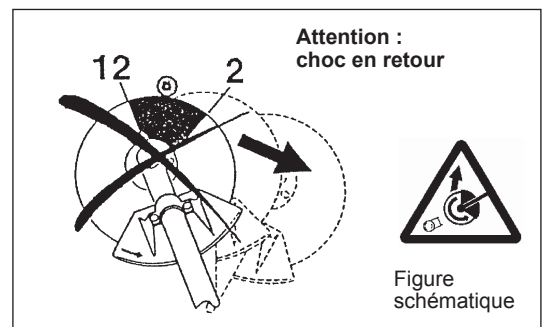


Outils de coupe

- Utilisez un outil de coupe adapté au travail à effectuer.
Les têtes à fil de nylon (têtes de taille à fils) conviennent au taillage du gazon.
Les lames métalliques permettent de couper les mauvaises herbes, les herbes hautes, les buissons, les petits arbustes, les sous-bois, les fourrés et autres végétaux similaires.
N'utilisez jamais d'autres lames, dont les chaînes pivotantes en métal et les lames batteuses. Dans le cas contraire, l'appareil risquerait de blesser grièvement des personnes.
- Lors de l'utilisation de lames métalliques, évitez les « chocs en retour » et préparez-vous toujours à un choc en retour accidentel. Voir la section « choc en retour ».

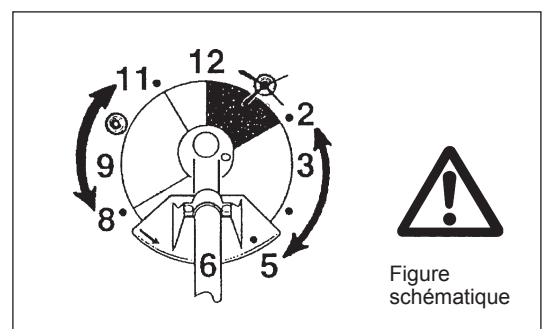
Choc en retour (poussée de lame)

- Le choc en retour (poussée de lame) est une réaction soudaine d'une lame métallique agrippée ou coincée. Lorsque cela se produit, l'outil est projeté fortement sur le côté ou vers l'opérateur et il peut provoquer des blessures graves.
- Le choc en retour se produit en particulier lorsque vous appliquez le segment de lame entre 12 heures et 2 heures sur des corps solides, des buissons ou des arbres de 3 cm de diamètre ou plus.
- Pour éviter les chocs en retour :
 - Appliquez le segment entre 8 heures et 11 heures ;
 - N'appliquez jamais le segment entre 12 heures et 2 heures ;
 - N'appliquez jamais le segment entre 11 heures et 12 heures et entre 2 heures et 5 heures, sauf si vous avez reçu une bonne formation et êtes expérimenté(e), et ceci à vos propres risques ;
 - N'utilisez jamais les lames métalliques près d'éléments solides, tels que des barrières, des murs, des troncs d'arbres et des pierres ;
 - N'utilisez jamais les lames métalliques verticalement pour tailler des bordures ou des haies.



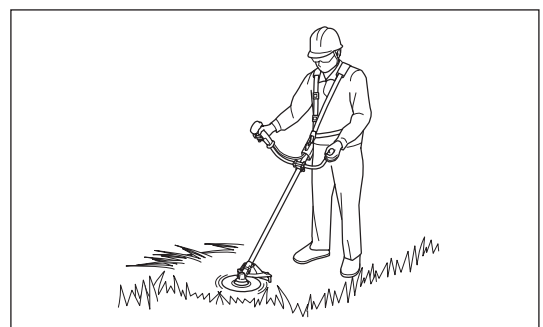
Vibrations

- Les personnes souffrant de troubles circulatoires peuvent subir des blessures au niveau des vaisseaux sanguins ou du système nerveux si elles sont exposées à des vibrations excessives. Les vibrations peuvent entraîner les symptômes suivants aux doigts, mains ou poignets : engourdissement, picotements, douleur, sensation lancinante, altération de la couleur ou de l'aspect de la peau. Si l'un ou l'autre de ces symptômes apparaît, consultez un médecin !
- Afin de réduire le risque de syndrome des vibrations du système main-bras, gardez vos mains au chaud et maintenez correctement l'appareil et ses accessoires.



Instructions d'entretien

- L'entretien de votre appareil doit être effectué par l'un de nos centres d'entretien agréés et seules des pièces de rechange authentiques doivent être utilisées. Une réparation incorrecte et un entretien défectueux peuvent réduire la durée de vie de l'appareil et accroître le risque d'accidents.
- Avant de commencer à utiliser l'outil, vérifiez son état, notamment l'outil de coupe des dispositifs de protection et la bandoulière. Examinez également avec une attention toute particulière les lames métalliques, qui doivent être bien affûtées.
- Coupez le moteur et retirez le connecteur de bougies lorsque vous remplacez ou aigüisez les outils de coupe et lorsque vous nettoyez la lame de coupe ou l'outil de coupe.



Ne redressez et ne soudez jamais des outils de coupe endommagés.

- Respectez l'environnement. Pour réduire la pollution et les émissions sonores, évitez tout fonctionnement inutile du papillon des gaz. Réglez correctement le carburateur.
- Nettoyez régulièrement l'appareil et vérifiez que l'ensemble des vis et des écrous est bien serré.
- Ne procédez jamais à l'entretien de l'appareil et ne le rangez pas à proximité de flammes nues.
- Rangez toujours l'appareil dans une pièce fermée, après avoir vidé le réservoir de carburant.
- Lors du nettoyage, de l'entretien et du stockage de l'appareil, fixez toujours le couvercle à la lame métallique.



Respectez les instructions de prévention des accidents publiées par les associations professionnelles concernées et les compagnies d'assurance.

N'effectuez aucune modification sur l'appareil, au risque de mettre votre sécurité en danger.

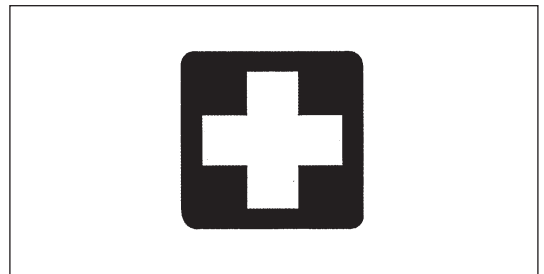
L'exécution de l'entretien ou des réparations par l'utilisateur est limitée aux activités décrites dans le manuel d'instructions. Toute autre tâche doit être réalisée par un agent d'entretien agréé. N'utilisez que des pièces de rechange et des accessoires d'origine fournis par DOLMAR. L'utilisation d'accessoires ou d'outils non agréés augmente les risques d'accident. DOLMAR n'acceptera aucune responsabilité pour des accidents ou des dommages causés par l'utilisation d'outils de coupe, de dispositifs de fixation d'outils de coupe ou d'accessoires.

Premiers secours

En cas d'accident, assurez-vous qu'une mallette de premier secours se trouve à proximité des opérations de coupe. Remplacez immédiatement tout article pris dans la mallette de premier secours.

Lorsque vous demandez de l'aide, veuillez fournir les renseignements suivants :

- Lieu de l'accident
- Ce qui s'est passé
- Nombre de personnes blessées
- Types de blessures
- Votre nom



Pour les pays d'Europe uniquement

Déclaration de conformité CE

Makita déclare que la/les machine(s) suivante(s) :

Nom de la machine : Débroussailleuse Thermique

N° de modèle/Type : MS-34 U, MS-34 C

sont conformes aux directives européennes suivantes :

2000/14/CE, 2006/42/CE

sont produites conformément aux normes ou documents de normalisation suivants :

EN ISO 11806-1

Le dossier technique conforme à la norme 2006/42/CE est disponible auprès de :

Makita, Jan-Baptist Vinkstraat 2, 3070, Belgique

La procédure d'évaluation de la conformité requise par la directive 2000/14/CE est conforme à l'annexe V.

MS-34 U (avec tête à fils de nylon) :

Niveau de puissance sonore mesurée : 109,1 dB

Niveau de puissance sonore garantie : 110 dB

MS-34 U (avec lame de coupe) :

Niveau de puissance sonore mesurée : 105,8 dB

Niveau de puissance sonore garantie : 106 dB

MS-34 C (avec tête à fils de nylon) :

Niveau de puissance sonore mesurée : 110,4 dB

Niveau de puissance sonore garantie : 112 dB

MS-34 C (avec lame de coupe) :

Niveau de puissance sonore mesurée : 105,9 dB

Niveau de puissance sonore garantie : 107 dB

6. 6. 2014

Une signature manuscrite en noir, lisible comme 'Yasushi Fukaya'.

Yasushi Fukaya
Directeur

Makita, Jan-Baptist Vinkstraat 2, 3070, Belgique

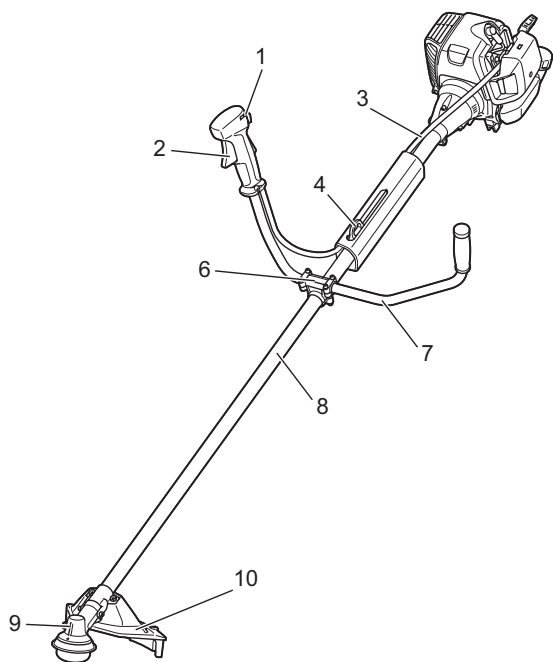
CARACTÉRISTIQUES TECHNIQUES

Modèle			MS-34 U		MS-34 C	
Type de poignée			Guidon de vélo		Poignée fermée	
Dimensions : longueur x largeur x hauteur (sans l'outil de coupe) mm			1 815 x 650 x 435		1 815 x 330 x 270	
Poids (sans l'outil de coupe et son protège-lame) kg			6,4		6,2	
Volume (réservoir de carburant) L			0,75			
Déplacement du moteur cm ³			34,0			
Performances maximales du moteur kW			1,15 à 7 000 min ⁻¹			
Vitesse du moteur à la vitesse max. recommandée de l'axe min ⁻¹			10 000			
Vitesse maximale de l'axe (correspondant) min ⁻¹			6 800			
Ralenti min ⁻¹			2 800			
Vitesse d'engagement de l'embrayage min ⁻¹			4 100			
Carburateur type			WALBLO WYJ			
Bougie d'allumage type			NGK BPMR7A			
Distance entre les électrodes mm			0,6 - 0,7			
			TÊTE À FIL DE NYLON	LAME MÉTALLIQUE	TÊTE À FIL DE NYLON	LAME MÉTALLIQUE
Vibrations conformément à la norme ISO 22867	Poignée droite (Prise arrière)	$a_{hv\ eq}$ m/s ²	4,1	4,0	4,6	4,3
		Incertitude K m/s ²	1,0	0,5	2,0	1,0
	Poignée gauche (Prise avant)	$a_{hv\ eq}$ m/s ²	4,4	4,3	5,5	5,4
		Incertitude K m/s ²	1,8	1,2	1,4	1,0
Moyenne du niveau de pression sonore conformément à la norme ISO 22868		$L_{PA\ eq}$ dBA	95,0	92,7	95,9	91,3
		Incertitude K dBA	2,5	0,7	1,0	1,1
Moyenne du niveau de puissance sonore conformément à la norme ISO 22868		$L_{WA\ eq}$ dBA	109,1	105,8	110,4	105,9
		Incertitude K dBA	1,0	0,4	1,6	0,8
Rapport du mélange (carburant : huile pour moteur deux-temps de DOLMAR)			50 : 1			
Outils de coupe (diamètre de la lame de coupe) mm			255 (avec une lame 4 dents)			
Rapport de vitesse			13/19			

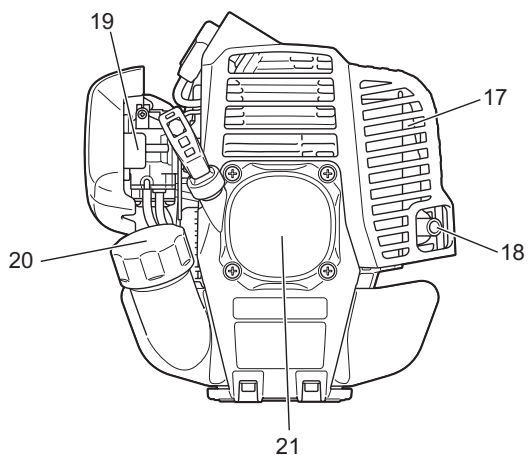
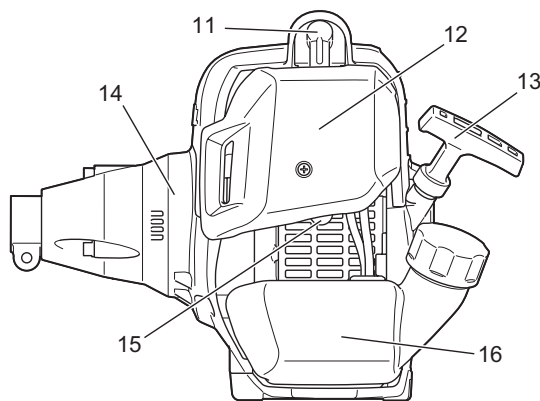
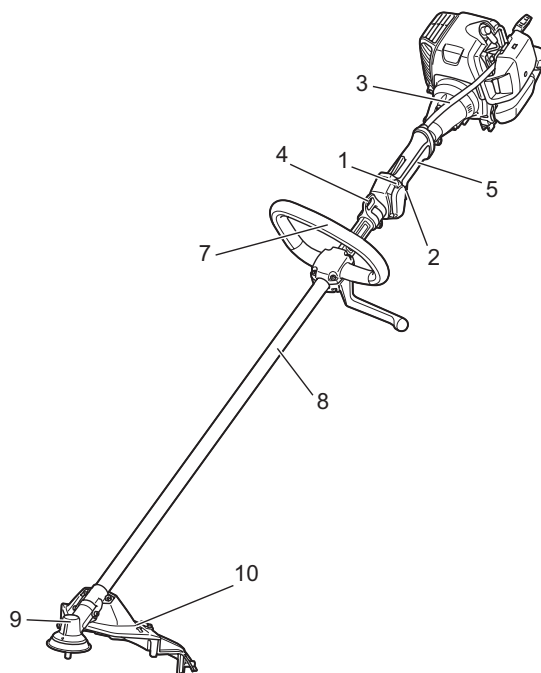
- Étant donné l'évolution constante de notre programme de recherche et de développement, les spécifications contenues dans ce manuel sont sujettes à des modifications sans préavis.
- Les spécifications peuvent varier suivant les pays.

NOMENCLATURE DES PIÈCES

MS-34 U



MS-34 C



NOMENCLATURE DES PIÈCES	
1	Interrupteur I-O (marche/arrêt)
2	Levier d'accélérateur
3	Câble de commande
4	Crochet de suspension
5	Prise arrière
6	Support de poignée
7	Poignée
8	Arbre
9	Carter d'engrenage
10	Dispositif de protection (protège-lame de l'outil de coupe)
11	Bougie d'allumage
12	Filtre à air
13	Bouton du démarreur
14	Carter d'embrayage
15	Pompe d'amorçage
16	Réservoir de carburant
17	Pot d'échappement
18	Tuyau d'échappement
19	Levier de l'étrangleur
20	Bouchon du réservoir de carburant
21	Lanceur à rappel

MONTAGE DE LA POIGNÉE

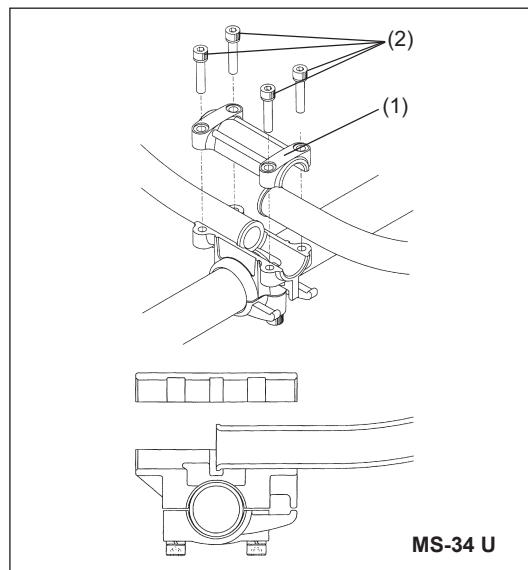
ATTENTION : avant d'effectuer un travail quelconque sur l'outil, arrêtez toujours le moteur et débranchez le connecteur des bougies.

Portez toujours des gants de protection !

ATTENTION : ne démarrez le moteur qu'après l'avoir monté complètement.

Pour les modèles à poignée de vélo

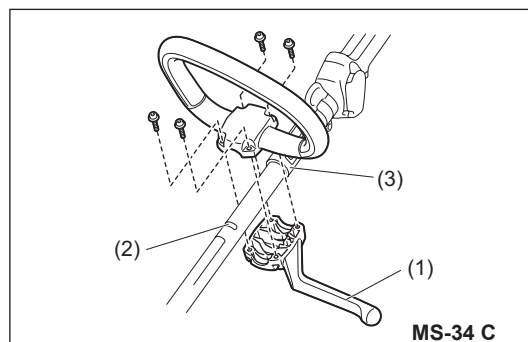
- Placez la poignée et le levier d'accélérateur sur le support de poignée sur le côté droit (à tenir avec la main droite) et l'autre sur le côté gauche.
- Installez le bord de la poignée sur la rainure du support de poignée et fixez provisoirement le côté supérieur (1) du support de poignée à l'aide de quatre boulons M5 x 25 (2).
- Réglez la poignée selon un angle facile à manipuler et serrez le boulon (2) de manière uniforme sur les côtés droit et gauche.



Pour les modèles à poignée fermée

- Fixez un écran (1) sur le côté gauche de l'appareil avec la poignée pour votre protection.
- Assurez-vous que l'ensemble manche/écran est installé entre la douille d'écartement et la flèche (2).

⚠ AVERTISSEMENT : ne retirez pas ou ne réduisez pas la douille d'écartement (3). La douille d'écartement maintient une certaine distance entre les deux mains. Si vous rapprochez l'ensemble manche/écran de l'autre manche, au-delà de la longueur de la douille d'écartement, vous risquez de perdre le contrôle et de vous blesser.



REMARQUE :

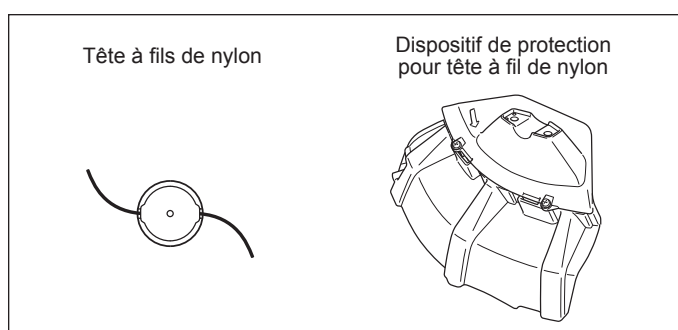
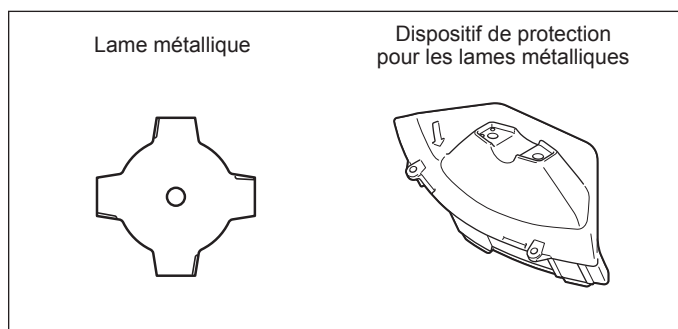
- Dans certains pays, la douille d'écartement n'est pas fournie. Dans ce cas, installez l'ensemble manche/écran entre les flèches.

MONTAGE DU DISPOSITIF DE PROTECTION

Pour satisfaire aux règles de sécurité en vigueur, utilisez uniquement l'outil/le dispositif de protection comme indiqué dans le tableau.

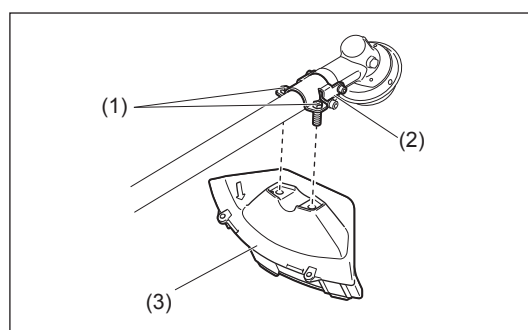
ATTENTION : vous devez toujours installer les dispositifs de protection appropriés pour votre propre sécurité et afin de vous conformer aux règlements relatifs aux préventions des accidents. Il est interdit d'utiliser l'outil lorsque le carter n'est pas en place.

REMARQUE : la combinaison standard de l'outil de coupe varie d'un pays à l'autre.



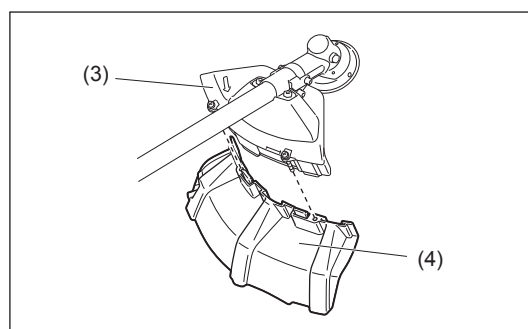
– Pour utiliser la lame métallique, fixez le dispositif de protection (3) sur la bride (2) avec deux boulons (1).

REMARQUE : serrez les boulons de gauche et de droite de manière égale, afin que l'espace entre la bride (2) et le dispositif de protection (3) soit constant. Dans le cas contraire, le dispositif de protection risque parfois de ne pas fonctionner comme indiqué.



– En cas d'utilisation du dispositif de coupe à fil de nylon, veuillez à fixer la protection du dispositif de coupe à fil de nylon (4) sur le dispositif de protection de la lame métallique (3).

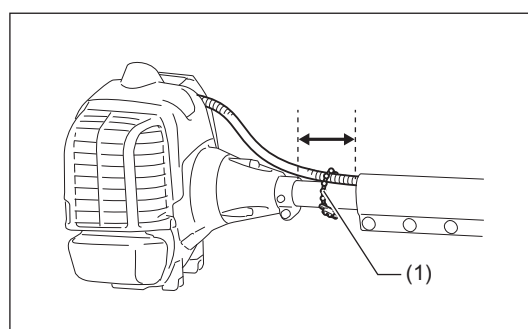
ATTENTION : veuillez à ne pas vous blesser sur le dispositif de coupe à fil de nylon.



(Pour le modèle MS-34 U uniquement)

Installation du dispositif de fixation

Pour attacher le câble de commande à l'arbre, installez le dispositif de fixation (1) à l'endroit indiqué sur la figure.



MONTAGE DE L'OUTIL DE COUPE

Utilisez toujours des lames métalliques et une tête à fil de nylon d'origine DOLMAR.

- La lame métallique doit être bien propre et dépourvue de fissures et de cassures. Si la lame métallique heurte une pierre durant l'utilisation, arrêtez le moteur et vérifiez immédiatement la lame.
- Nettoyez ou remplacez la lame métallique toutes les trois heures de fonctionnement.
- Si la tête à fil de nylon heurte un objet dur, par exemple une pierre, pendant le fonctionnement de l'outil, arrêtez le moteur et vérifiez immédiatement la tête à fil de nylon.

ATTENTION : vous devez toujours installer les dispositifs de protection appropriés pour votre propre sécurité et afin de vous conformer aux réglementations relatives à la prévention des accidents.

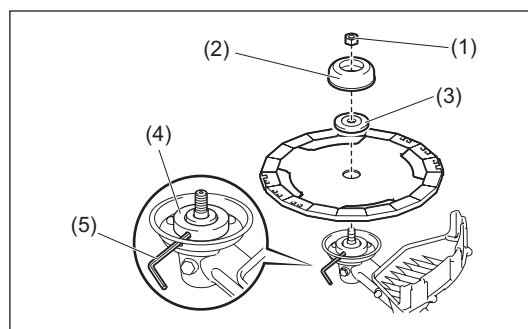
Il est interdit d'utiliser l'outil lorsque le carter n'est pas en place.

Le diamètre extérieur de la lame de coupe doit être de 255 mm au maximum. N'utilisez jamais de lames dont le diamètre extérieur est supérieur à 255 mm.

ATTENTION : avant d'utiliser l'appareil, vérifiez que l'outil de coupe est solidement fixé.

Tournez l'appareil la tête en bas pour pouvoir remplacer la lame métallique ou la tête à fil de nylon facilement.

- Insérez la clé hexagonale (5) dans l'orifice du carter d'engrenage et tournez la rondelle de réception (4) avec la clé hexagonale jusqu'à ce qu'elle ne bouge plus.
- Desserrez l'écrou (1) (filetage gauche) avec la clé à douille, et retirez l'écrou (1), la bague (2) et la rondelle de serrage (3).

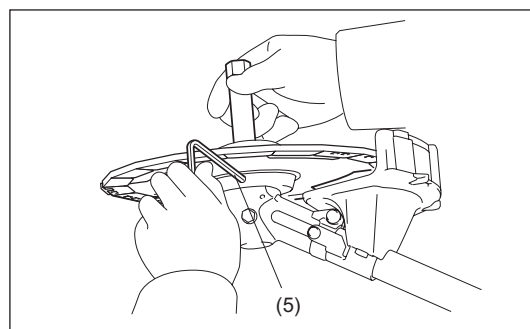


Montage de la lame métallique avec la clé hexagonale (5) encore en position

- Montez la lame métallique sur l'arbre, de sorte que le guide de la rondelle de réception (4) s'ajuste dans l'orifice de l'arbre dans la lame métallique. Installez la rondelle de serrage (3) et la bague (2), puis fixez la lame métallique avec l'écrou (1).
[Couple de serrage : 13 - 23 N-m]

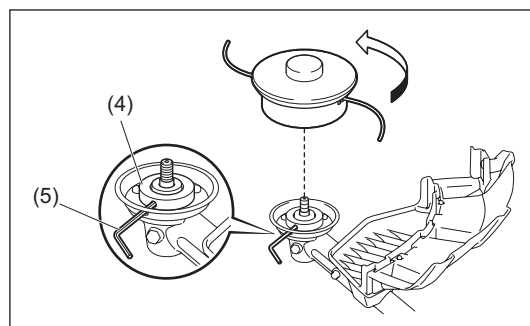
REMARQUE : portez toujours des gants lorsque vous maniez la lame métallique.

REMARQUE : l'écrou de fixation de la lame métallique (avec la rondelle à ressort) est une pièce à changer périodiquement. S'il y a de l'usure ou des déformations apparaissent sur la rondelle à ressort, remplacez l'écrou.

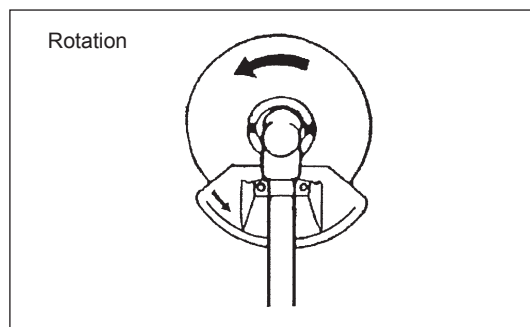


Montage de la tête à fil de nylon

- La rondelle de serrage (3), la bague (2) et l'écrou (1) ne sont pas nécessaires au montage de la tête à fil de nylon. La tête à fil de nylon doit se trouver en haut de la rondelle de réception (4).
- Insérez la clé hexagonale (5) dans l'orifice du carter d'engrenage et tournez la rondelle de réception (4) avec la clé hexagonale jusqu'à ce qu'elle ne bouge plus.
- Vissez ensuite la tête à fil de nylon dans l'arbre en la tournant dans le sens inverse des aiguilles d'une montre.
- Retirez la clé hexagonale (5).



Rotation



Manipulation de l'essence

Le plus grand soin est requis lors de la manipulation du carburant. Il peut contenir des substances similaires aux solvants. Faites le plein dans une zone bien ventilée ou en extérieur. Ne respirez pas les vapeurs d'essence, évitez tout contact du carburant ou de l'huile avec votre peau.

Les produits à base d'huile minérale dégraissent la peau. Le contact répété de la peau avec ces substances pendant une période prolongée peut provoquer diverses maladies de peau. Des réactions allergiques peuvent également se produire. Le contact de l'huile, du carburant, etc., avec les yeux peut irriter ces derniers. Si de l'huile pénètre dans vos yeux, lavez-les immédiatement à l'eau claire. Si vos yeux sont toujours irrités, consultez immédiatement un médecin.

Mélange d'huile et de carburant

Le moteur de la débroussailleuse est un moteur deux-temps très efficace. Pour fonctionner, il utilise un mélange de carburant et d'huile pour moteur deux-temps. Le moteur est conçu pour l'essence normale sans plomb et d'une valeur d'octane minimale de 91 RON. Si ce type de carburant n'est pas disponible, vous pouvez utiliser du carburant d'un indice d'octane plus important. Cela n'affectera pas le moteur mais pourra entraîner un mauvais comportement lors du fonctionnement.

La même situation se produira si vous utilisez du carburant au plomb. Pour obtenir des performances optimales du moteur et protéger votre santé ainsi que l'environnement, utilisez uniquement du carburant sans plomb !

Pour lubrifier le moteur, utilisez de l'huile pour moteur deux-temps (norme qualité : JASO FC ou ISO EGD), que vous ajoutez au carburant. Le moteur a été conçu pour être utilisé avec de l'huile pour moteur deux-temps de DOLMAR selon une proportion de mélange de 50:1 afin de protéger l'environnement. En outre, cela garantit une longue durée de service et un fonctionnement fiable avec une émission minimale des gaz d'échappement. Il est absolument essentiel de respecter une proportion de mélange d'huile pour moteur deux-temps de DOLMAR de 50:1. Dans le cas contraire, la fiabilité de la débroussailleuse ne peut pas être garantie lors du fonctionnement.

Proportion correcte du mélange :

Mélangez 50 portions d'essence à 1 portion d'huile pour moteur deux-temps de DOLMAR (voir tableau à droite).

REMARQUE : pour préparer le mélange carburant-huile, mélangez d'abord l'ensemble de la quantité d'huile avec la moitié du carburant requis dans un bidon approuvé satisfaisant ou excédant les normes locales, puis ajoutez le carburant restant. Secouez bien le mélange avant de le verser dans le réservoir de la débroussailleuse. Il est déconseillé d'ajouter plus d'huile moteur que la quantité spécifiée afin de garantir un fonctionnement en toute sécurité. Une quantité trop importante d'huile moteur entraînerait une production plus élevée de résidus de combustion qui polluent l'environnement et bouchent le canal d'échappement dans le cylindre, les bougies d'allumage ainsi que le pot d'échappement. De plus, la consommation de carburant augmenterait, entraînant de moindres performances.

Ravitaillement en carburant

Ne procédez jamais aux opérations de ravitaillement en carburant dans un espace clos et non ventilé.

Le moteur doit être éteint !

- Nettoyez parfaitement la zone autour du bouchon du réservoir de carburant pour éviter que la saleté pénètre à l'intérieur du réservoir de carburant (1).
 - Dévissez le bouchon du réservoir de carburant (2) et remplissez le réservoir de carburant.
 - Ne remplissez jamais le réservoir de carburant au maximum.
 - Vissez fermement le bouchon du réservoir de carburant.
 - Essuyez le bouchon fileté et le réservoir à l'aide d'un chiffon après avoir procédé au ravitaillement !
- Laissez le chiffon sécher et jetez-le dans un conteneur approprié.

REMARQUE : dans certains pays, le bouchon du réservoir ne possède pas de bride (3).



Stockage du carburant

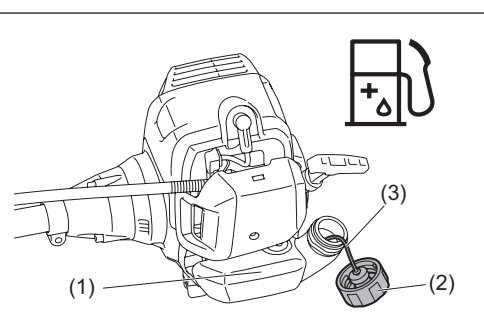
Le carburant ne peut pas être conservé pendant une durée illimitée. N'achetez que la quantité requise pour une période de 4 semaines d'utilisation. N'utilisez que des conteneurs homologués pour le stockage de carburant.



Observez les instructions de sécurité décrites à la page 25 !



Essence (supercarburant sans plomb)	50:1
	
1 000 cc (1 L) 5 000 cc (5 L) 10 000 cc (10 L)	20 cc 100 cc 200 cc



MANIEMENT CORRECT DE L'APPAREIL

AVERTISSEMENT : toute perte de contrôle de la machine peut provoquer des blessures corporelles graves ou MORTELLES.

Fixation du harnais

- Réglez la longueur de la sangle de sorte que la lame de coupe soit maintenue parallèle au sol.

Retrait

Pour MS-34 U

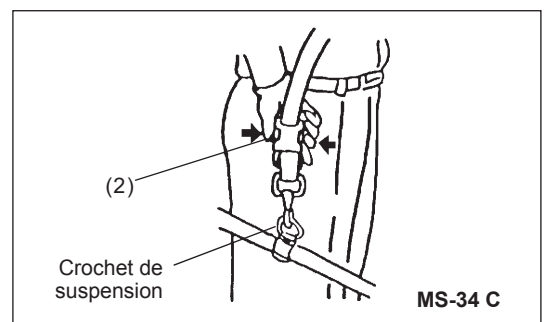
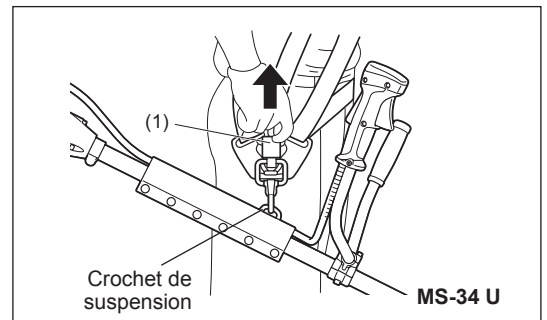
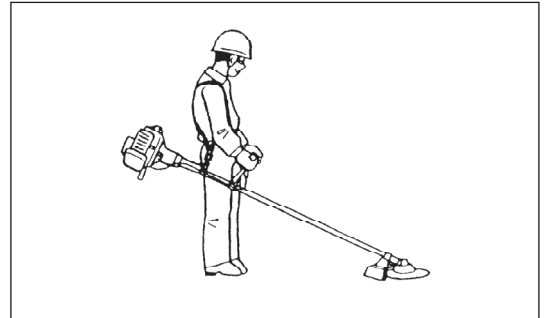
- En cas d'urgence, tirez le crochet (1) vers le haut pour vous séparer de la machine.

Soyez extrêmement vigilant et conservez le contrôle de l'appareil à ce moment-là. Veillez à ce que l'appareil ne dévie pas vers vous ou toute autre personne située à proximité du lieu de travail.

Pour MS-34 C

- En cas d'urgence, appuyez sur les entailles (2) situées de chaque côté pour vous séparer de la machine.

Soyez extrêmement vigilant et conservez le contrôle de l'appareil à ce moment-là. Veillez à ce que l'appareil ne dévie pas vers vous ou toute autre personne située à proximité du lieu de travail.



AVERTISSEMENTS CONCERNANT LE FONCTIONNEMENT ET LA PROCÉDURE D'ARRÊT

ATTENTION : respectez les réglementations en vigueur en matière de prévention des accidents !

DÉMARRAGE

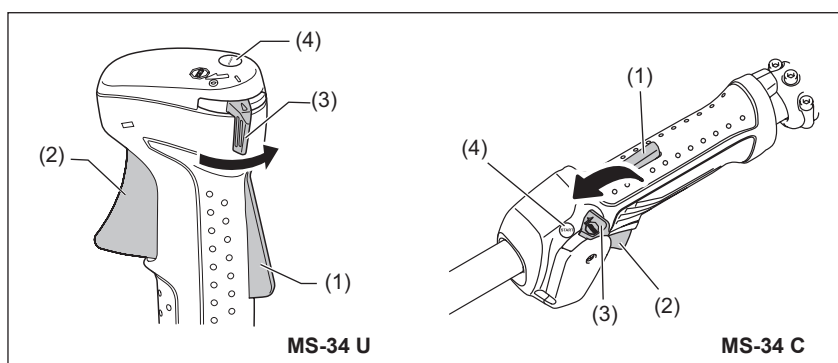
AVERTISSEMENT : veillez à ce que l'outil de coupe tourne immédiatement après le démarrage du moteur. Assurez-vous que l'outil de coupe n'entre en contact avec aucun objet dur, tel que des branches, des pierres, etc.

ATTENTION :

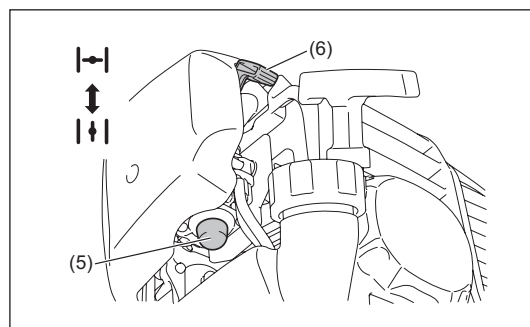
- Éloignez-vous d'au moins 3 mètres de l'endroit où vous avez procédé au ravitaillement en carburant. Placez l'appareil au sol en veillant à ce que l'outil de coupe n'entre pas en contact avec le sol ou tout autre objet.
- Ne tirez jamais entièrement la corde. Une fois le bouton du démarreur tiré, n'enlevez jamais votre main immédiatement. Tenez le bouton du démarreur jusqu'à ce qu'il retourne à sa position initiale.

A : démarrage à froid

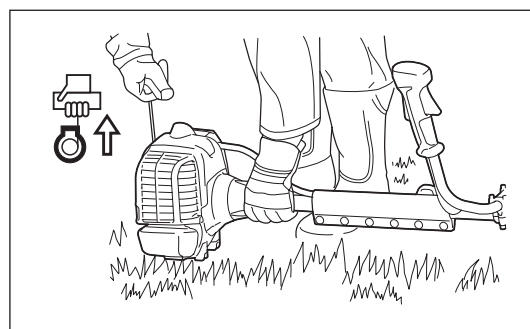
- 1) Placez la machine sur une surface plane.
- 2) Saisissez la poignée (le fait de saisir la poignée entraîne le déblocage du verrou de sécurité (1)).
- 3) Appuyez sur le levier d'accélérateur (2) et maintenez-le enfoncé.
- 4) Faites glisser l'interrupteur I-O (3) en position de DÉMARRAGE (4). Le levier d'accélérateur commence alors à fonctionner à mi-régime.



- 5) Appuyez légèrement et à plusieurs reprises (7 à 10 fois) sur la pompe d'amorçage (5) jusqu'à ce que le carburant pénètre dans celle-ci.
- 6) Déplacez le levier d'étrangleur (6) en position supérieure (|←| - étrangleur fermé).



- 7) Maintenez fermement l'appareil avec votre main gauche.
- 8) Appuyez doucement sur le bouton du démarreur jusqu'à ce que vous sentiez une compression. Appuyez ensuite fortement dessus.
- 9) Répétez l'opération de démarrage jusqu'à ce que vous entendiez les sons d'allumage.
- 10) Lorsque le moteur démarre, remplacez le levier de l'étrangleur en position « |↑| - étrangleur ouvert ».
- 11) Dès que le moteur démarre, saisissez immédiatement la poignée (le fait de saisir la poignée entraîne le déblocage du verrou de sécurité) et tirez légèrement la commande d'accélérateur, puis relâchez-la. (L'accélérateur ne fonctionne alors plus à mi-régime mais au ralenti.)
- 12) Faites tourner le moteur pendant environ une minute à vitesse modérée avant de le mettre plein gaz.



B : démarrage à chaud

– Comme décrit ci-dessus, mais sans déplacer le levier de l'étrangleur (le levier de l'étrangleur reste en position « |↑| - étrangleur ouvert »).

REMARQUE :

si une entrée de carburant excessive se produit, enlevez la bougie et tirez lentement la poignée du démarreur pour retirer l'excès de carburant. Séchez également l'électrode de la bougie.

Mise en garde durant le fonctionnement : si le levier d'accélérateur est complètement ouvert lors d'un fonctionnement à vide, la rotation du moteur augmente à plus de 10 000 min⁻¹.

Ne faites jamais fonctionner le moteur à une vitesse supérieure à celle requise. Faites tourner le moteur à une vitesse de 6 000 à 8 000 min⁻¹ environ.

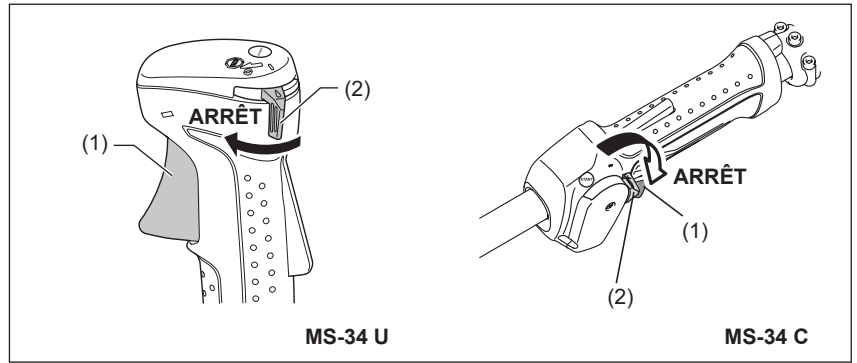
ARRÊT

- 1) Relâchez complètement le levier d'accélérateur (1).
- 2) En cas de diminution du régime du moteur, réglez l'interrupteur I-O (2) en position d'ARRÊT.

ATTENTION :

N'oubliez pas que la tête de coupe risque de ne pas s'arrêter immédiatement.

Laissez-la ralentir, puis s'arrêter complètement.

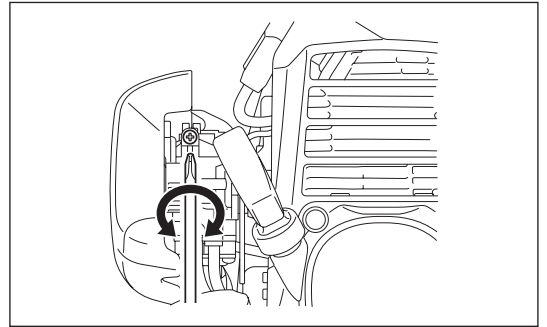


RÉGLAGE DE LA VITESSE DU RALENTI

Lorsque cela est nécessaire, réglez la vitesse du ralenti à l'aide de la vis de réglage du carburateur.

VÉRIFICATION DE LA VITESSE DU RALENTI

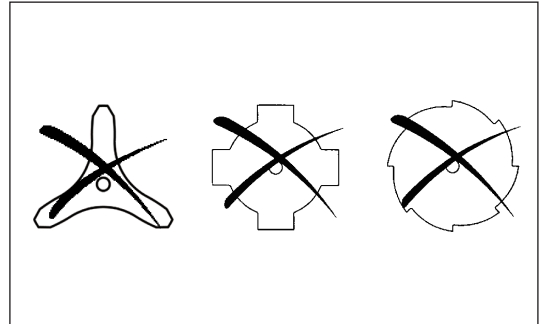
- Réglez le ralenti sur 2 800 min⁻¹.
S'il s'avère nécessaire de modifier la vitesse du ralenti, placez un tournevis cruciforme sur la vis.
- Pour augmenter la vitesse du ralenti, tournez la vis de réglage dans le sens des aiguilles d'une montre.
Pour diminuer la vitesse du ralenti, tournez la vis de réglage dans le sens inverse des aiguilles d'une montre.
- Le carburateur est réglé en usine. Toutefois, il est nécessaire de régler à nouveau la vitesse du ralenti après plusieurs utilisations.



RÉAFFÛTAGE DE L'OUTIL DE COUPE

ATTENTION : les outils de coupe présentés sur l'illustration ne doivent pas être affûtés. Un réaffûtage manuel entraînera des déséquilibres de l'outil de coupe, qui causeront des vibrations et endommageront l'appareil.

REMARQUE : pour augmenter la durée de vie de la lame de coupe, vous pouvez la retourner une fois, jusqu'à ce que les deux bords de coupe soient émoussés.



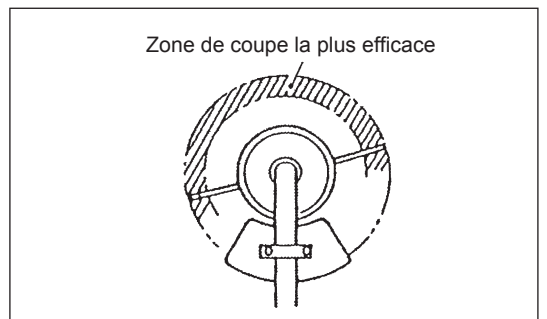
TÊTE À FIL DE NYLON

La tête à fil de nylon est une tête de taille-bordures double, équipée d'un mécanisme d'alimentation semi-automatique par frappe au sol.

La tête à fil de nylon fait avancer le fil de nylon lorsque vous tapez la tête de débroussailluse sur le sol.

Fonctionnement

- Augmentez la vitesse de la tête à fil en nylon à 6 000 min⁻¹ environ.
Heurtez légèrement la tête à fil de nylon au sol.
- La zone de coupe la plus efficace est indiquée par la zone ombrée.
- Si le fil de nylon ne s'enroule pas, rembobinez/remplacez le fil de nylon en suivant les procédures décrites sous « Remplacement du fil de nylon ».

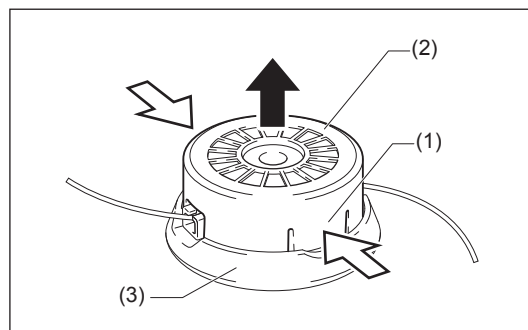


Remplacement du fil de nylon (ALIMENTATION SEMI-AUTOMATIQUE PAR FRAPPE AU SOL)

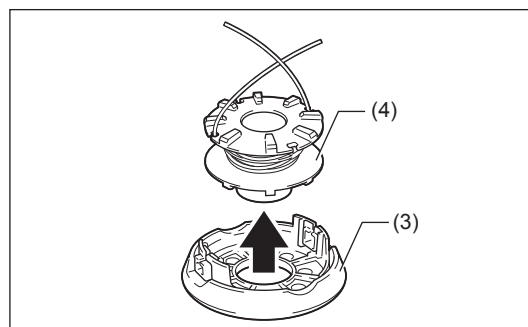
⚠ AVERTISSEMENT :

- assurez-vous que le couvercle de la tête à fil de nylon est correctement fixé au bloc, comme décrit ci-dessous. Si le couvercle n'est pas correctement fixé, la tête à fil de nylon risque de se détacher et provoquer des blessures graves.

1. Enfoncez les attaches (1) du bloc (2) et soulevez-le pour retirer le couvercle (3).



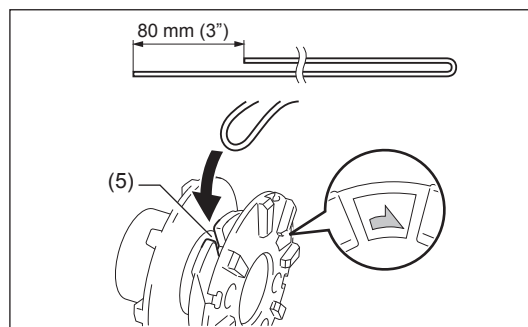
2. Libérez le fil de nylon de l'œillet. Ensuite, retirez la bobine (4) du couvercle. Débarrassez-vous du fil de nylon restant.



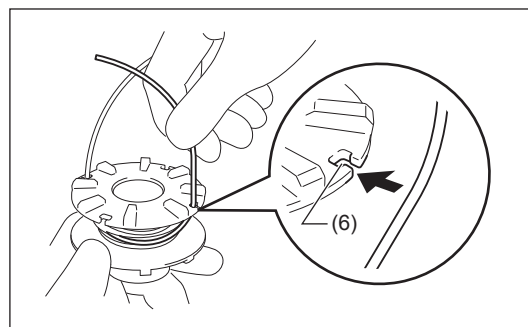
3. Insérez le milieu du nouveau fil de nylon dans l'entaille (5) située au centre de la bobine entre les 2 canaux.

L'un des côtés du fil doit être plus long que l'autre d'environ 80 mm.

Enroulez bien les deux extrémités sur la bobine dans le sens de la flèche indiquée sur la bobine.

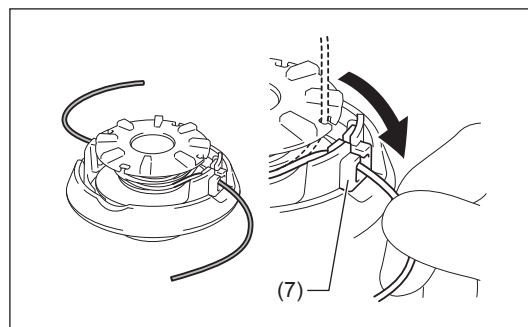


4. Enroulez tout le fil sauf environ 100 mm, en laissant les extrémités temporairement accrochées à travers les entailles (6).

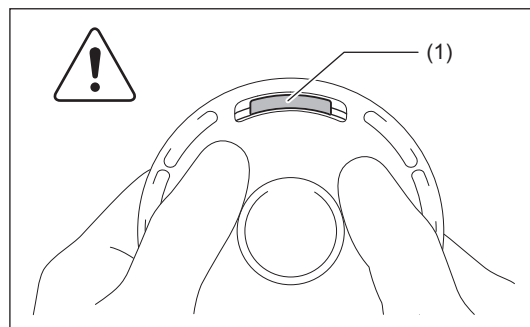
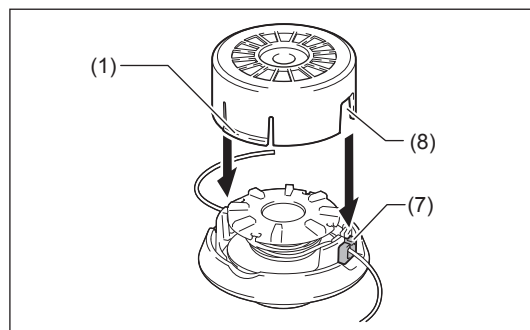


5. Installez la bobine dans le couvercle, de sorte que les entailles de retenue se trouvent face aux œillets (7).

Décrochez les extrémités du fil de leur emplacement temporaire et glissez les fils dans les œillets.



6. Alignez les fentes carrées (8) du bloc sur les œillets (7). Ensuite, enfoncez bien le bloc sur le couvercle pour qu'il s'enclenche. Assurez-vous que les attaches (1) se déploient bien sur le couvercle.



INSTRUCTIONS D'ENTRETIEN

ATTENTION : avant tout travail sur l'appareil, arrêtez toujours le moteur et débranchez le connecteur des bougies (voir « Vérification de la bougie »).

Portez toujours des gants de protection !

Afin de garantir une longue durée de service de l'appareil et éviter de l'endommager, effectuez régulièrement les opérations d'entretien suivantes.

Vérification et entretien journaliers

- Avant utilisation, vérifiez qu'il ne manque aucune pièce et que les vis sont bien serrées. Faites tout particulièrement attention au serrage de la lame métallique et de la tête à fil de nylon.
- Avant l'utilisation, vérifiez toujours que le passage de l'air de refroidissement et les ailettes de cylindre ne sont pas bouchés. Au besoin, nettoyez-les.
- Effectuez les opérations suivantes après chaque utilisation :
 - Nettoyez l'extérieur de l'appareil et vérifiez qu'il n'est pas endommagé.
 - Nettoyez le filtre à air. Nettoyez le filtre à air plusieurs fois par jour lorsque vous travaillez dans des conditions très poussiéreuses.
 - Vérifiez que la lame ou la tête à fil de nylon ne sont pas endommagées et assurez-vous qu'elles sont bien montées.
 - Vérifiez que la différence entre le ralenti et la vitesse de fonctionnement est suffisante pour garantir l'immobilisation de l'outil de coupe lorsque le moteur tourne au ralenti (si nécessaire, réduisez la vitesse du ralenti).
Si l'outil continue à fonctionner lorsqu'il fonctionne au ralenti, consultez l'agent d'entretien agréé le plus proche.
- Vérifiez que l'interrupteur I-O, le levier de verrouillage, le levier d'accélérateur et le bouton de verrouillage fonctionnent correctement.

NETTOYAGE DU FILTRE À AIR



ATTENTION : coupez le moteur, éloignez-le des flammes nues et ne fumez pas.

Intervalle de nettoyage et d'inspection : tous les jours (toutes les 10 heures de fonctionnement)

- Tournez le levier d'étrangleur (4) vers le côté complètement fermé et éloignez le carburateur de toute poussière ou saleté.

Retrait du capot du filtre à air

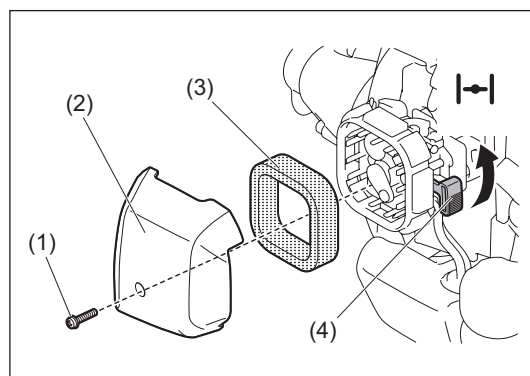
- Retirez la vis (1) ainsi que le capot du filtre à air (2).

Nettoyage de l'élément en éponge

- Retirez l'élément en éponge (3) et tapez dessus pour en retirer les saletés.
- En cas de contamination importante :
Retirez l'élément en éponge, lavez-le avec un détergent dilué dans de l'eau et séchez-le complètement.
- Lorsque l'élément est sec, plongez-le dans de l'huile pour moteur deux-temps, puis essorez-le pour en retirer l'excès d'huile.
- Avant de remettre l'élément en éponge en place, assurez-vous que l'huile est répartie uniformément sur l'élément. Un excès d'huile pourrait provoquer un démarrage difficile.
- Essuyez l'huile présente autour du capot du filtre à air à l'aide d'un chiffon.

Fixation du capot du filtre à air

- Après l'avoir nettoyé, remettez l'élément en éponge en place. Remettez également le capot du filtre à air en place et fixez-le avec la vis.



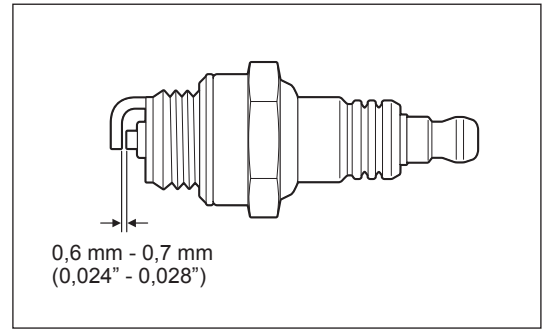
NOTE :

- En cas de poussière ou saleté excessive collée au filtre à air, nettoyez ce dernier tous les jours. Les éléments sales diminuent la puissance du moteur et rendent difficile son démarrage.
- Retirez l'huile présente sur les éléments. Si vous continuez à utiliser l'appareil alors que les éléments restants présentent encore de l'huile, il est possible que l'huile présente dans le filtre à air soit expulsée à l'extérieur et contamine l'environnement.
- Ne placez pas les éléments sur le sol ou dans un lieu sale. La saleté ou les débris pourraient se poser dessus et endommager le moteur.
- N'utilisez jamais de carburant pour nettoyer les éléments. Le carburant pourrait les endommager.

VÉRIFICATION DE LA BOUGIE

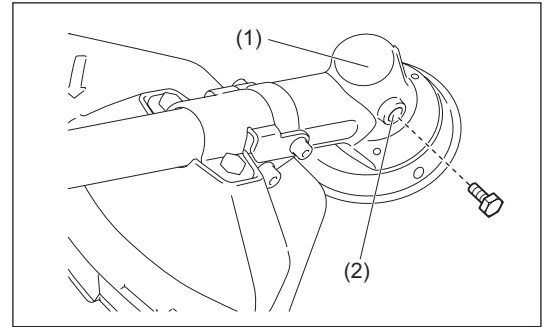
- N'utilisez que la clé universelle fournie pour retirer ou installer la bougie.
 - L'écartement entre les deux électrodes de la bougie doit être compris entre 0,6 et 0,7 mm (0,024 et 0,028"). Réglez l'écartement s'il est trop large ou trop étroit. Si la bougie est bouchée ou contaminée, nettoyez-la complètement ou remplacez-la.
- Placez correctement le capuchon, comme illustré, après avoir procédé à la vérification.

ATTENTION : ne touchez jamais le connecteur de la bougie lorsque le moteur est en marche (danger de choc électrique haute tension).



GRAISSAGE DU CARTER D'ENGRENAGE

- Mettez de la graisse (Shell Alvania 2 ou équivalent) dans le carter d'engrenage (1) à travers l'orifice de graissage (2) toutes les 30 heures. (De la graisse d'origine DOLMAR peut être achetée chez votre revendeur DOLMAR.)



NETTOYAGE DU FILTRE À CARBURANT

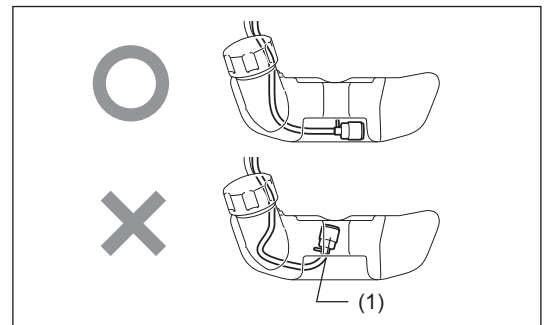
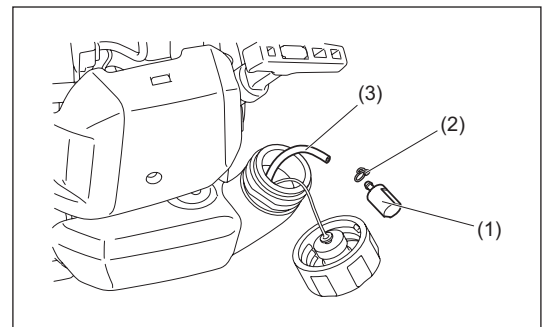
AVERTISSEMENT : PRODUITS INFLAMMABLES STRICTEMENT INTERDITS

Intervalle d'inspection : tous les mois (toutes les 50 heures d'utilisation)

Crépine d'aspiration dans le réservoir de carburant

Examinez régulièrement le filtre à carburant (1). Pour ce faire, procédez comme suit :

1. Retirez le bouchon du réservoir de carburant, purgez le carburant pour vider le réservoir. Examinez l'intérieur du réservoir à la recherche de corps étrangers. Le cas échéant, retirez-les.
2. Retirez la crépine d'aspiration à l'aide d'un crochet à fil que vous passez à travers l'orifice du réservoir.
3. Si le filtre à carburant est légèrement bouché, nettoyez-le. Pour ce faire, secouez-le et tapez-le doucement au niveau du carburant. Pour éviter tout dommage, ne le serrez pas et ne le frottez pas. Le carburant utilisé pour le nettoyage doit être éliminé conformément à la réglementation en vigueur dans votre pays.
Si le filtre à carburant a durci ou est fortement bouché, remplacez-le.
4. Après avoir procédé à la vérification, au nettoyage ou au remplacement du filtre à carburant, insérez-le dans le tuyau de carburant (3) et fixez-le avec le collier de serrage du tuyau (2). Enfoncez complètement le filtre à carburant au fond du réservoir de carburant.



Un filtre à carburant bouché ou endommagé peut entraîner une alimentation insuffisante en carburant et réduire la puissance du moteur. Remplacez le filtre à carburant au moins tous les trimestres pour assurer une alimentation satisfaisante en carburant dans le carburateur.

REPLACEMENT DU TUYAU DE CARBURANT

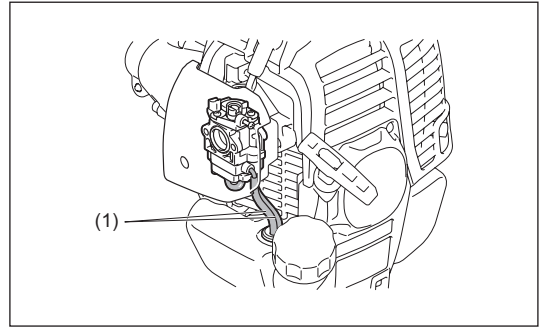
ATTENTION : PRODUITS INFLAMMABLES STRICTEMENT INTERDITS

Intervalle de nettoyage et d'inspection : tous les jours (toutes les 10 heures de fonctionnement)

Remplacement : tous les ans (toutes les 200 heures de fonctionnement)

Remplacez le tuyau de carburant (1) tous les ans, quelle que soit la fréquence d'utilisation. Une fuite de carburant peut provoquer un incendie.

Si vous détectez une fuite pendant une inspection, remplacez immédiatement le tuyau de carburant.



INSPECTION DES BOULONS, ÉCROUS ET VIS

- Resserrez les boulons, écrous, etc. desserrés.
- Assurez-vous que le bouchon du réservoir de carburant et le bouchon d'huile sont bien serrés. Vérifiez l'absence de fuite de carburant et d'huile.
- Remplacez les pièces endommagées par des pièces neuves afin de garantir un fonctionnement en toute sécurité.

NETTOYAGE DES PIÈCES

- Essuyez régulièrement le moteur avec un chiffon en tissu afin de le maintenir propre.
- Conservez les ailettes de cylindre dépourvues de poussière et saleté. Si de la poussière ou des saletés adhèrent aux ailettes, cela peut créer des dommages aux pistons.

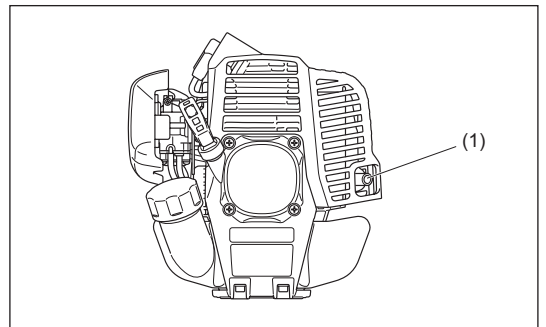
REPLACEMENT DE JOINTS STATIQUES ET DE TAMPONS AMORTISSEURS

Remplacez les joints statiques et tampons amortisseurs si le moteur est démonté.

Tout travail d'entretien ou de réglage non inclus et décrit dans ce manuel doit être effectué uniquement par des agents d'entretien agréés.

NETTOYAGE DU PORT D'ÉCHAPPEMENT DU SILENCIEUX

- Vérifiez régulièrement le port d'échappement du silencieux (1).
- S'il est bouché par de la calamine, grattez avec précaution la calamine avec un outil adapté.



ENTREPOSAGE

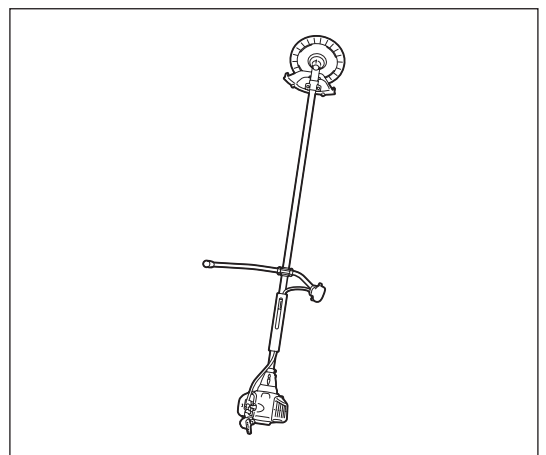


ATTENTION : le moteur est encore très chaud juste après l'arrêt du moteur. Lorsque vous purgez le carburant, laissez suffisamment de temps au moteur pour refroidir après l'avoir arrêté. Dans le cas contraire, vous risquez de vous brûler et/ou de déclencher un incendie.



DANGER : si vous prévoyez de ne pas utiliser l'appareil pendant une longue période, vidangez le réservoir de carburant et le carburateur, et entreposez l'appareil dans un endroit sec et propre.

- Pour vidanger le réservoir de carburant et le carburateur, procédez comme suit :
 - 1) Retirez le bouchon du réservoir de carburant, et vidangez le carburant entièrement. S'il reste un corps étranger dans le réservoir de carburant, retirez-le complètement.
 - 2) Retirez le filtre à carburant de l'orifice de remplissage à l'aide d'un fil.
 - 3) Appuyez sur la pompe d'amorçage jusqu'à ce que le carburant soit entièrement vidé et vidangez le carburant qui arrive dans le réservoir de carburant.
 - 4) Placez le filtre sur le réservoir de carburant, et vissez à fond le bouchon du réservoir de carburant.
 - 5) Ensuite, faites tourner le moteur jusqu'à ce qu'il s'arrête.
- Retirez la bougie et versez plusieurs gouttes d'huile moteur dans le logement de la bougie.
- Tirez doucement la poignée du démarreur afin que l'huile moteur se répande sur le moteur, puis remettez la bougie en place.
- Fixez le couvercle sur la lame métallique.
- En général, entreposez l'appareil en position horizontale. Si cela n'est pas possible, placez l'appareil de sorte que le bloc-moteur se trouve sous l'outil de coupe. Dans le cas contraire, de l'huile moteur risque de fuir depuis l'intérieur.
- Entreposez le carburant purgé dans un bidon spécial, dans un endroit ombragé et bien ventilé.



Durée de fonctionnement Élément		Avant utilisation	Après avoir fait le plein	Tous les jours (10 h)	30 h	50 h	200 h ou 1 an, selon la première éventualité	Avant de ranger l'outil	P correspondante
Serrage des pièces (boulon, écrou)	Inspecter	○							41
Réservoir de carburant	Nettoyer	○							—
	Vidanger le carburant							○*2	41
Levier d'accélérateur	Vérifier le fonctionnement		○						—
Interrupteur STOP	Vérifier le fonctionnement		○						39
Outil de coupe	Inspecter	○		○					31
Vitesse au ralenti	Inspecter/régler			○					36
Filtre à air	Nettoyer			○					39
Bougie d'allumage	Inspecter			○					40
Passage de l'air de refroidissement et ailettes de cylindre	Nettoyer/inspecter			○					41
Tuyau de carburant	Inspecter			○					41
	Remplacer						◎*1		—
Graisse du carter d'engrenage	Remplir				○				40
Pot d'échappement	Inspecter/nettoyer l'ouverture				○				—
Filtre à carburant	Nettoyer/remplacer					○			40
Carburateur	Vidanger le carburant							○*2	41

*1 Demandez à un atelier de mécanique ou un agent d'entretien agréé d'effectuer l'entretien après 200 heures d'utilisation.

*2 Après avoir vidé le réservoir de carburant, continuez à faire fonctionner le moteur et purgez le carburant situé dans le carburateur.

RÉSOLUTION DE PROBLÈMES

Avant d'envoyer votre appareil en réparation, vérifiez si vous pouvez régler le problème vous-même. Si vous découvrez une anomalie, inspectez votre appareil selon les descriptions de ce manuel. Ne démontez et ne modifiez aucune pièce d'une manière contraire à la description. Pour toute réparation, contactez un centre d'entretien agréé ou un revendeur local.

Problème	Cause probable (dysfonctionnement)	Solution
Le moteur ne démarre pas.	L'interrupteur I-O est en position ARRÊT.	Réglez l'interrupteur I-O en position de DÉMARRAGE.
	Impossible d'activer la pompe d'amorçage.	Appuyez 7 à 10 fois.
	Tirage lent de la corde du démarreur	Tirez plus fort.
	Panne de carburant.	Faites le plein.
	Position incorrecte de l'étrangleur.	Réglez-le en position « FERMER » (démarrage à froid). Réglez-le en position « OUVRIR » (démarrage à chaud).
	Filtre de carburant bouché.	Remplacer.
	Tuyau de carburant plié ou obstrué.	Redresser ou remplacer le tuyau de carburant.
	Carburant détérioré.	Du carburant détérioré rend le démarrage plus difficile. Remplacez-le par du carburant neuf. (Remplacement recommandé : 1 fois par mois)
	Aspiration excessive du carburant.	Réglez le levier d'accélérateur de la vitesse moyenne à la vitesse élevée et tirez sur la poignée du démarreur jusqu'à ce que le moteur démarre. Une fois le moteur démarré, l'outil de coupe commence à tourner. Faites très attention à l'outil de coupe. Si le moteur ne démarre toujours pas, retirez la bougie, séchez l'électrode et ré-assemblez ces éléments comme ils l'étaient à l'origine. Ensuite, démarrez comme indiqué.
	Connecteur de bougie débranché.	Le brancher solidement.
	Bougie contaminée.	Nettoyer.
	Espacement anormal de la bougie.	Régler l'espacement.
	Anomalie de la bougie.	Remplacer.
	Carburateur anormal.	Faire une demande d'examen et d'entretien.
	Le moteur s'arrête rapidement. La vitesse du moteur n'augmente pas.	Réchauffement insuffisant.
Le levier d'étrangleur est en position « FERMER » alors que le moteur est chaud.		Le régler sur « OUVRIR ».
Faible vitesse du ralenti.		Régler la vitesse du ralenti.
Filtre de carburant bouché.		Remplacer.
Filtre à air contaminé ou bouché.		Nettoyer ou remplacer.
Carburateur anormal.		Faire une demande d'examen et d'entretien.
Défaillance du pot d'échappement. (bouché, etc.)		Faire une demande d'examen et d'entretien.
Système électrique/d'entraînement anormal.		Faire une demande d'examen et d'entretien.
Pas de rotation de la lame métallique. ↓ Arrêter immédiatement le moteur	Écrou de serrage de la lame métallique desserré.	Serrer à fond.
	Branche attrapée par la lame métallique ou le couvercle anti-dispersion.	Retirer le corps étranger.
	Entraînement anormal.	Faire une demande d'examen et d'entretien.
Vibrations anormales de la machine. ↓ Arrêter immédiatement le moteur	Lame métallique cassée, tordue ou émoussée.	Remplacer la lame métallique.
	Écrou de serrage de la lame métallique desserré.	Serrer à fond.
	Décalage de la partie convexe de la lame métallique et de son support.	Le brancher solidement.
	Entraînement anormal.	Faire une demande d'examen et d'entretien.
La lame métallique ne s'arrête pas immédiatement. ↓ Arrêter immédiatement le moteur	Vitesse élevée du ralenti.	Régler la vitesse du ralenti.
	Câble de l'accélérateur débranché.	Le brancher solidement.
	Entraînement anormal.	Faire une demande d'examen et d'entretien.
Le moteur ne s'arrête pas. ↓ Faire tourner le moteur au ralenti et régler le levier d'étrangleur sur FERMER.	Connecteur débranché.	Le brancher solidement.
	Système électrique anormal.	Faire une demande d'examen et d'entretien.

- Lorsque le moteur ne démarre pas après avoir été réchauffé :
Si aucun problème n'apparaît après vérification, ouvrez l'étrangleur d'environ 1/3 et démarrez le moteur.
- En cas d'anomalie autre que celles répertoriées dans ce tableau, contactez un centre d'entretien agréé.

Vielen Dank, dass Sie sich für den Kauf eines motorgetriebenen Werkzeugs von DOLMAR entschieden haben. Wir freuen uns, Ihnen dieses Produkt von DOLMAR anbieten zu können; unsere Produkte sind das Ergebnis eines langen Entwicklungsprogramms und vieler Jahre an Erkenntnissen und Erfahrungen. Lesen Sie diese Broschüre mit detaillierten Informationen zu den verschiedenen Punkten, die die herausragende Leistung dieses Produkts demonstrieren, aufmerksam durch. So können Sie die bestmöglichen Ergebnisse mit Ihrem Produkt von DOLMAR erzielen.



Inhaltsverzeichnis	Seite
Symbole.....	44
Sicherheitshinweise.....	45
Technische Daten.....	49
Bezeichnung der Bauteile.....	50
Montieren des Griffs.....	51
Montieren der Schutzhaube.....	52
Montieren des Schneidwerkzeugs.....	53
Kraftstoffe/Betankung.....	54
Richtige Handhabung der Maschine.....	55
Wichtige Betriebsschritte und Stoppen des Werkzeugs.....	56
Nachschärfen des Schneidwerkzeugs.....	57
Wartungsanweisungen.....	60
Aufbewahrung.....	62
Fehlerbehebung.....	64

SYMBOLE

Beim Lesen der Betriebsanleitung werden Ihnen die folgenden Symbole begegnen:

	Bitte lesen Sie die Betriebsanleitung und beachten Sie die Warnungen und Sicherheitshinweise!		Im Arbeitsbereich dürfen sich keine anderen Personen und keine Tiere aufhalten!
	Besondere Aufmerksamkeit erforderlich!		Tragen Sie Schutzhelm, Schutzbrille und Gehörschutz!
	Verboten!		Maximal zulässige Werkzeugdrehzahl
	Halten Sie Abstand!		Kraftstoff-Öl-Gemisch
	Gefahr durch herumfliegende Gegenstände!		Manueller Motorstart
	Rückschlag!		Not-Aus
	Rauchen verboten!		Erste Hilfe
	Umgang mit offener Flamme verboten!		EIN/START
	Tragen Sie Schutzhandschuhe!		AUS/STOPP
	Festes Schuhwerk mit rutschfesten Sohlen tragen. Empfohlen werden Arbeitsschutzhuhe mit Stahlkappen!		GASHEBEL-SPERRSTELLUNG

SICHERHEITSHINWEISE

Allgemeine Sicherheitsregeln

- Lesen Sie diese Betriebsanleitung durch und machen Sie sich mit dem Umgang mit diesem Werkzeug vertraut. Unzureichend informierte Bediener können durch unsachgemäßen Umgang mit dem Werkzeug sich und andere gefährden.
- Verleihen Sie das Werkzeug nur an Personen, die nachweislich über Erfahrungen im Umgang mit derartigen Werkzeugen verfügen. Überreichen Sie stets auch diese Betriebsanleitung.
- Erstanwender sollten sich von ihrem Händler grundlegende Anleitungen geben lassen, um im Umgang mit einer Motorsense vertraut zu werden.
- Kindern und Jugendlichen unter 18 Jahren ist die Bedienung dieses Werkzeugs untersagt. Personen über 16 Jahre dürfen das Werkzeug für Übungszwecke bedienen, jedoch nur unter Aufsicht eines entsprechend qualifizierten Anleiters.
- Verwenden Sie dieses Werkzeug stets mit äußerster Vorsicht und Aufmerksamkeit.
- Betreiben Sie dieses Werkzeug nur, wenn Sie in guter physischer Verfassung sind. Führen Sie alle Arbeiten ruhig und mit Vorsicht aus. Die Bedienperson ist gegenüber Dritten haftbar.
- Betreiben Sie dieses Werkzeug nie unter dem Einfluss von Alkohol und/oder Medikamenten, oder wenn Sie müde oder erkrankt sind.
- Die Erlaubnis zur Verwendung dieses Werkzeugs kann durch örtlich geltende Gesetze und Bestimmungen eingeschränkt sein.

Verwendungszweck des Werkzeugs

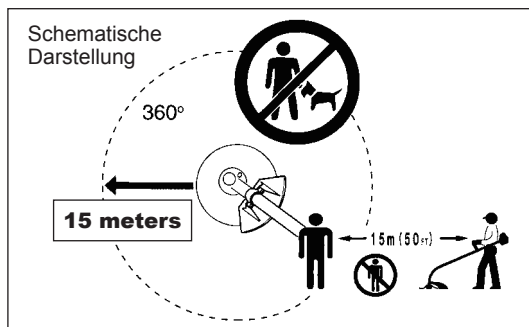
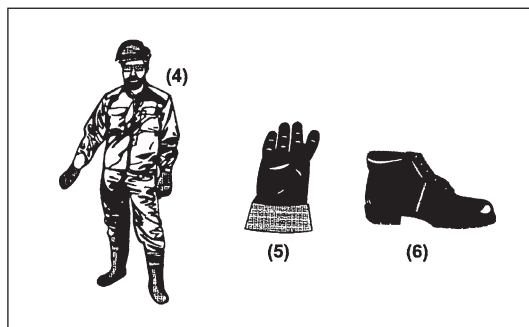
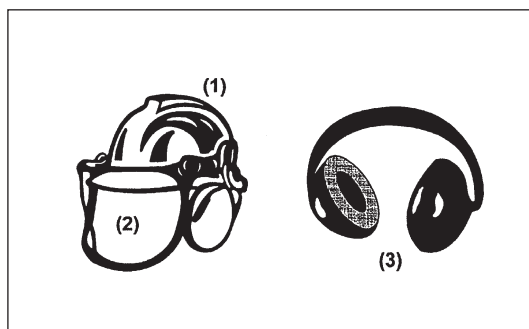
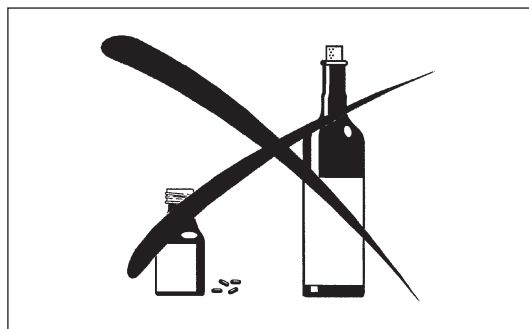
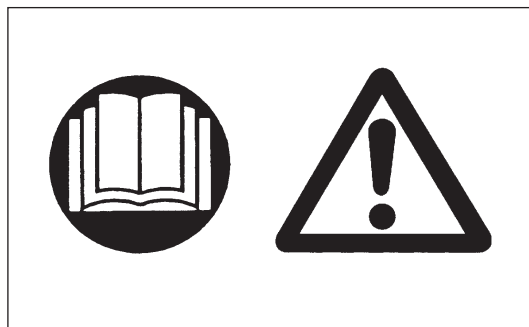
- Dieses Werkzeug darf ausschließlich für das Schneiden von Gras, Unkrautbewuchs, Gestrüpp und Wildwuchs verwendet werden. Das Werkzeug darf nicht für andere Zwecke verwendet werden, beispielsweise zum Beschneiden von Einfassungen oder Hecken, da es dabei zu Verletzungen kommen kann.

Persönliche Schutzausrüstung

- Tragen Sie zweckmäßige und geeignete Kleidung, d. h. die Kleidung sollte am Körper anliegen, jedoch ohne zu behindern. Tragen Sie keinen Schmuck. Tragen Sie keine Kleidung, mit der Sie sich in Büschen oder Gestrüpp verfangen könnten.
- Um Verletzungen von Gehör, Augen, Händen und Füßen zu vermeiden, aber auch um Ihre Hörleistung zu schützen, ist während des Betriebs des Werkzeugs die folgenden Schutzausrüstungen oder Schutzkleidungen zu tragen.
- Tragen Sie stets einen Helm, wenn die Gefahr herabfallender Gegenstände besteht. Der Schutzhelm (1) muss regelmäßig auf Beschädigungen überprüft und spätestens alle 5 Jahre durch einen neuen Helm ersetzt werden. Verwenden Sie ausschließlich zugelassene Schutzhelme.
- Das Visier (2) des Helms (oder alternativ eine Schutzbrille) schützt das Gesicht vor herumfliegenden Fremdkörpern und Steinen. Tragen Sie während des Betriebs des Werkzeugs eine Schutzbrille oder ein Visier, um Verletzungen der Augen zu vermeiden.
- Tragen Sie einen angemessenen Gehörschutz, um eine Schädigung des Gehörs zu vermeiden (Gehörschutzkapseln (3), Gehörschutzstöpsel usw.).
- Arbeitsanzüge (4) schützen gegen herumfliegende Steine und Fremdkörper. Wir empfehlen dringend, dass der Bediener einen Arbeitsanzug trägt.
- Handschuhe (5) sind Bestandteil der vorgeschriebenen Ausrüstung und müssen bei Betrieb dieses Werkzeugs immer getragen werden.
- Tragen Sie beim Arbeiten mit dem Werkzeug stets feste Schuhe (6) mit rutschfesten Sohlen. Derartige Schuhe schützen vor Verletzungen und geben einen sicheren Halt.

Starten der Motorsense

- Vergewissern Sie sich, dass sich in einem Arbeitsbereich von 15 m keine Kinder oder andere Personen aufhalten. Achten Sie außerdem auf Tiere im Arbeitsbereich.
- Überprüfen Sie vor jeder Verwendung, dass das Werkzeug betriebssicher ist. Prüfen Sie die Sicherheit des Schneidwerkzeugs, den Gashebel auf einfache Bedienung und die Arretierung des Gashebels auf ordnungsgemäße Funktion.
- Im Leerlauf darf sich das Schneidwerkzeug nicht drehen. Wenden Sie sich bei Bedenken an Ihren Händler, um die Einstellungen überprüfen zu lassen. Sorgen Sie dafür, dass die Griffe sauber und trocken sind, und testen Sie die Funktion des Start-/Stoppschalters.

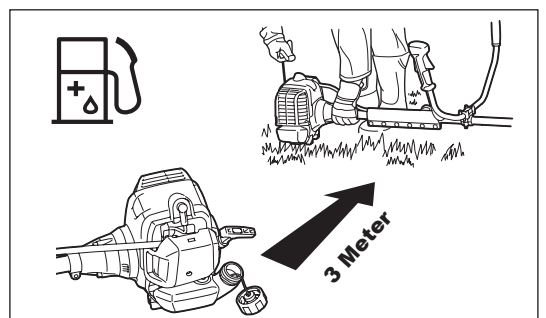
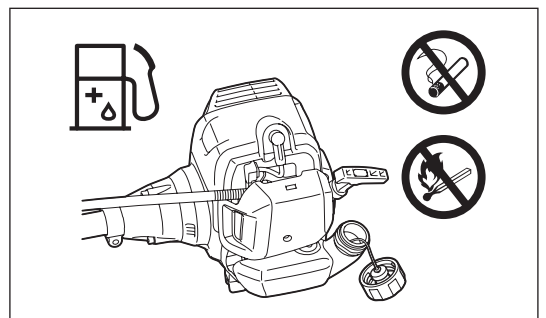
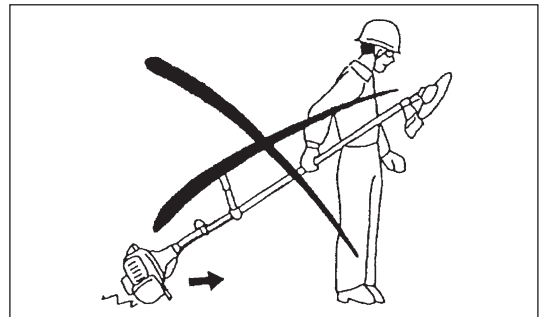
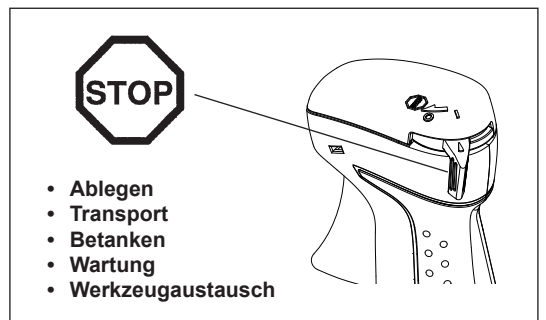
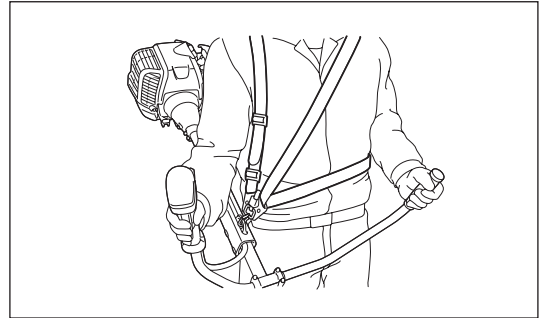
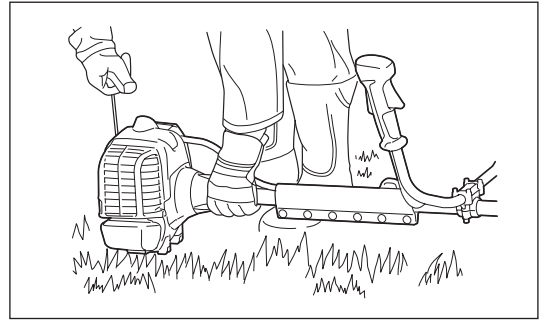


Starten Sie die Motorsense nur gemäß den Anleitungen.

- Starten Sie den Motor auf keine andere Weise!
- Verwenden Sie die Motorsense und die Werkzeuge nur für die angegebenen Zwecke.
- Starten Sie den Motor nur, wenn das Werkzeug vollständig zusammengebaut ist. Der Betrieb des Werkzeugs ist nur gestattet, wenn alles dazugehörige Zubehör anmontiert ist!
- Überprüfen Sie vor dem Starten, dass das Schneidwerkzeug keine harten Gegenstände (Geäst, Steine usw.) berührt, da sich das Schneidwerkzeug beim Starten dreht.
- Schalten Sie den Motor bei Auftreten von Problemen mit dem Motor sofort aus.
- Sollte das Schneidwerkzeug Steine oder andere harte Gegenstände treffen, schalten Sie sofort den Motor aus und überprüfen Sie das Schneidwerkzeug.
- Überprüfen Sie das Schneidwerkzeug in regelmäßigen, kurzen Zeitabständen. Prüfen Sie durch einen Klopfest auf Haarrisse.
- Wenn das Werkzeug einem starken Stoß ausgesetzt wurde oder heruntergefallen ist, überprüfen Sie den Zustand des Werkzeugs, bevor Sie die Arbeiten fortsetzen. Überprüfen Sie das Kraftstoffsystem auf Leckagen und die Bedienelemente und Sicherheitseinrichtungen auf Fehlfunktionen. Wenn Sie einen Schaden bemerken oder sich nicht sicher sind, wenden Sie sich zur Inspektion und Reparatur an unser Ihr autorisiertes Servicecenter.
- Betreiben Sie das Werkzeug nur mit befestigtem Schultergurt; der Schultergurt muss vor Inbetriebnahme der Motorsense an den Bediener angepasst werden. Wichtig ist, dass der Schultergurt auf die Körpergröße des Bedieners eingestellt wird, um ein Ermüden während der Arbeiten zu verhindern. Halten Sie die Motorsense während des Betriebs niemals mit nur einer Hand.
- Halten Sie die Motorsense während des Betriebs mit beiden Händen. Sorgen Sie immer für einen sicheren Stand.
- Betreiben Sie das Werkzeug stets so, dass Sie keine Abgase einatmen. Betreiben Sie den Motor niemals in geschlossenen Räumen (Gefahr einer Gasvergiftung). Kohlenmonoxid ist ein geruchloses Gas.
- Schalten Sie den Motor aus, wenn Sie das Werkzeug ablegen oder wenn Sie das Werkzeug unbeaufsichtigt lassen, und lagern Sie das Werkzeug immer an einem sicheren Ort, um die Gefährdung von Personen und Beschädigungen des Werkzeugs zu vermeiden.
- Legen Sie die heiße Motorsense niemals in trockenes Gras oder auf sonstige entflammbare Materialien ab.
- Bringen Sie stets den Schneidwerkzeugschutz am Werkzeug an, bevor Sie den Motor starten. Andernfalls kann der Kontakt mit dem Schneidwerkzeug schwere Verletzungen verursachen.
- Während des Betriebs müssen alle mit dem Werkzeug gelieferten Schutzvorrichtungen und Abdeckungen verwendet werden.
- Betreiben Sie den Motor niemals mit beschädigtem Auspuffschalldämpfer.
- Schalten Sie den Motor während des Transports aus.
- Bringen Sie vor dem Transportieren des Werkzeugs stets die Abdeckung am Metallblatt an.
- Sorgen Sie bei Transport des Werkzeugs in einem Fahrzeug für eine sichere Ablage, um das Austreten von Kraftstoff zu vermeiden.
- Sorgen Sie dafür, dass beim Transport der Kraftstofftank des Werkzeugs vollständig leer ist.
- Setzen Sie beim Abladen der Motorsense beim Abladen von einem LKW den Motor niemals hart auf den Boden auf; andererseits kann der Kraftstofftank beschädigt werden.
- Lassen Sie das Werkzeug nur in einem Notfall zu Boden fallen, da dadurch das Werkzeug beschädigt werden kann.
- Heben Sie das Werkzeug bei einem Umsetzen immer vollständig vom Boden ab. Das Ziehen des Werkzeugs am Kraftstofftank ist äußerst gefährlich und kann zu Beschädigung des Tanks oder Auslaufen von Kraftstoff führen und ggf. einen Brand verursachen.
- Den Abgasschalldämpfer nicht berühren. Er wird während des Betriebs sehr heiß.
- Betreiben Sie den Motor niemals in explosionsgefährdeten Umgebungen, wie etwa in der Nähe von brennbaren Flüssigkeiten, Gasen oder Staub. Der Motor erzeugt Funken, die Staub und Dämpfe entzünden können.

Auftanken

- Schalten Sie den Motor aus, halten Sie den Motor von offenen Flammen fern und rauchen Sie während des Auftankens nicht.
- Vermeiden Sie Hautkontakt mit Mineralölprodukten. Atmen Sie die Kraftstoffdämpfe nicht ein. Tragen Sie zum Auftanken immer Schutzhandschuhe. Wechseln und reinigen Sie Schutzkleidung regelmäßig.
- Stellen Sie zur Vermeidung einer Kontaminierung des Erdbodens (Umweltschutz) sicher, dass kein Kraftstoff und kein Öl in das Erdreich eindringt. Wischen Sie verschütteten Kraftstoff unverzüglich von der Motorsense ab.
- Achten Sie darauf, dass Ihre Kleidung nicht in Kontakt mit Kraftstoff kommt. Falls Ihre Kleidung in Kontakt mit Kraftstoff gekommen ist, wechseln Sie die Kleidung sofort (Brandgefahr!).
- Überprüfen Sie den Tankdeckel regelmäßig auf ordnungsgemäßen Sitz und auf Dichtheit.
- Schrauben Sie den Tankdeckel ordnungsgemäß fest. Entfernen Sie sich mindestens 3 m vom Ort des Auftankens, bevor Sie den Motor starten.
- Tanken Sie das Werkzeug niemals in geschlossenen Räumen. Andernfalls kann es aufgrund einer Ansammlung von Kraftstoffdämpfen auf dem Boden zu einer Explosion kommen.
- Transportieren und lagern Sie Kraftstoff ausschließlich in dafür zugelassenen Behältern. Stellen Sie sicher, dass Kinder keinen Zugang zu gelagertem Kraftstoff haben.



Handhabung

- Verwenden Sie das Werkzeug nur bei guten Licht- und Sichtverhältnissen. Achten Sie im Winter auf rutschige oder nasse Bereiche, z. B. auf vereiste oder schneebedeckte Flächen (Rutschgefahr). Sorgen Sie immer für einen sicheren Stand.
- Schneiden Sie niemals über Hüfthöhe.
- Schneiden Sie niemals auf einer Leiter stehend.
- Klettern Sie niemals auf Bäume, um mit dem Werkzeug zu schneiden.
- Arbeiten Sie niemals auf nicht stabilen Flächen.
- Entfernen Sie Sand, Steine, Nägel usw. aus dem Arbeitsbereich. Fremdkörper können das Schneidwerkzeug beschädigen und so gefährliche Rückschläge verursachen.
- Vergewissern Sie sich vor Beginn des Schnitts, dass das Schneidwerkzeug die volle Arbeitsdrehzahl erreicht hat.
- Schwingen Sie das Werkzeug bei Verwendung von Metallblättern im Halbkreis von rechts nach links, wie eine Sense.
Falls sich Gras oder Äste zwischen dem Schneidwerkzeug und dem Schutz verfangen, stoppen Sie vor dem Reinigen stets den Motor. Andernfalls kann eine unbeabsichtigte Drehung des Blattes schwere Verletzungen verursachen.
- Legen Sie regelmäßig Pausen ein, damit es nicht zu einem Kontrollverlust aufgrund von Ermüdungserscheinungen kommt. Wir empfehlen, jede Stunde eine Pause von 10 bis 20 Minuten einzulegen.

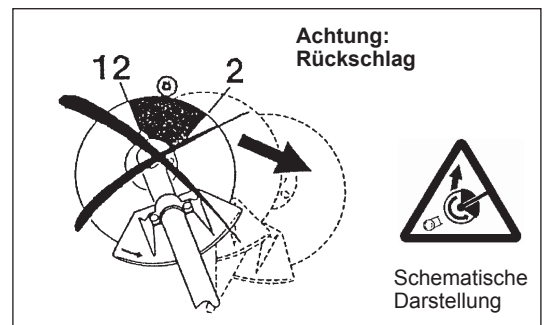


Schneidwerkzeuge

- Verwenden Sie ein für die anstehenden Arbeiten geeignetes Schneidwerkzeug. Für das Schneiden von Rasengras sind Nylon-Schneidköpfe (Faden-Trimmerkopf) geeignet. Für das Schneiden von Unkraut, hohem Gras, Büschen, Gestrüpp, Unterholz, Dickicht und ähnlichem sind Metallblätter geeignet. Verwenden Sie niemals andere Blätter, auch keine metallischen, mehrteiligen Pivo Ketten und Schlegelmesser. Andernfalls kann es zu schweren Verletzungen kommen.
- Vermeiden Sie bei Verwendung von Metallschneidblättern ein Rückschlagen, sogenanntes „Kickback“, und seien Sie auf ein plötzliches Rückschlagen gefasst. Weitere Informationen enthält der Abschnitt „Rückschlag“.

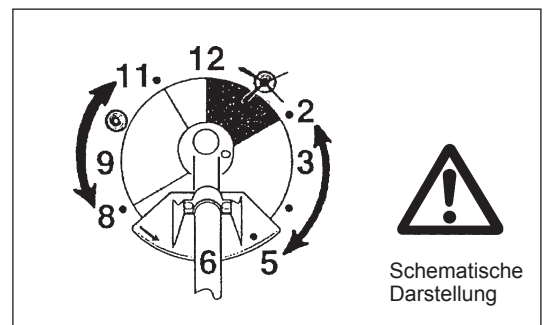
Rückschlag (Kickback)

- Ein Rückschlagen (Kickback) ist eine plötzliche Reaktion bei einem Verfangen oder Festsitzen des Metallblatts. Tritt ein Rückschlagen auf, wird das Werkzeug mit großer Kraft seitwärts oder in Richtung des Bedieners geschleudert und kann schwere Verletzungen verursachen.
- Ein Rückschlagen tritt vor allem auf, wenn feste Gegenstände, Büsche und Bäume mit einem Durchmesser von mehr als 3 cm im Schneidblattbereich zwischen 12 und 2 Uhr geschnitten werden.
- So vermeiden Sie ein Rückschlagen:
 - Schneiden Sie im Bereich zwischen 8 und 11 Uhr.
 - Schneiden Sie niemals im Bereich zwischen 12 und 2 Uhr.
 - Schneiden Sie niemals im Bereich zwischen 11 und 12 Uhr sowie zwischen 2 und 5 Uhr, es sei denn, der Bediener ist geschult und erfahren und führt die Arbeiten auf eigene Gefahr aus.
 - Berühren Sie mit den Metallblättern niemals feste Gegenstände, wie Zäune, Wände, Baumstümpfe und Steine.
 - Verwenden Sie die Metallblätter niemals senkrecht, beispielsweise zum Abkanten oder Heckenschneiden.



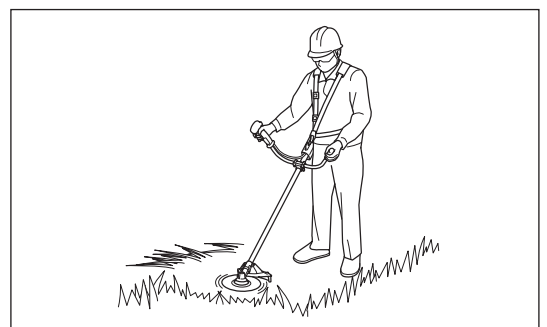
Schwingung

- Wenn sich Personen mit Durchblutungsstörungen zu starken mechanischen Schwingungen aussetzen, kann es zu Schädigungen von Blutgefäßen und/oder Nervensystem kommen. Folgende Symptome können durch Vibrationen an Fingern, Händen oder Handgelenken auftreten: „Einschlafen“ von Körperteilen (Taubheit), Kribbeln, Schmerz, Stechen, Veränderung von Hautfarbe oder Haut. Falls eines dieser Symptome auftritt, suchen Sie einen Arzt auf!
- Um das Risiko der „Weißfingerkrankheit“ zu verringern, halten Sie Ihre Hände während des Arbeitens warm und warten und pflegen Sie das Werkzeug und Zubehörteile gut.



Wartungsanweisungen

- Lassen Sie Ihr Werkzeug durch unser autorisiertes Servicecenter warten, verwenden Sie stets nur originale Ersatzteile. Unsachgemäße Reparatur- und Wartungsarbeiten können die Lebenszeit des Werkzeugs verkürzen und das Unfallrisiko erhöhen.
- Überprüfen Sie immer den Zustand des Schneidblatts, vor allem auch der Schutzvorrichtungen und des Schultergurtes, bevor Sie mit der Arbeit beginnen. Achten Sie besonders darauf, dass Metallblätter ordnungsgemäß geschärft sind.
- Schalten Sie den Motor aus und ziehen Sie den Zündkerzenstecker ab, bevor Sie das Schneidwerkzeug austauschen oder schärfen; die gilt auch für das Reinigen von Sense und/oder Schneidwerkzeug.



Beschädigte Schneidwerkzeuge dürfen auf keinen Fall begradigt oder geschweißt werden.

- Nehmen Sie Rücksicht auf die Umwelt und auf Ihre Nachbarn. Vermeiden Sie ein unnötiges Betätigen des Gashebels, damit Umweltbelastung und Geräuschentwicklung so gering wie möglich gehalten werden. Achten Sie auf eine korrekte Vergasereinstellung.
- Reinigen Sie das Werkzeug regelmäßig und überprüfen Sie, ob alle Schrauben und Muttern fest angezogen sind.
- Das Ausführen von Arbeiten am Werkzeug oder das Lagern des Werkzeugs in der Nähe offener Flammen ist verboten.
- Lagern Sie das Werkzeug in einem verschlossenen Raum und nur mit geleertem Tank.
- Bringen Sie vor dem Reinigen, Warten und Einlagern des Werkzeugs stets die Abdeckung am Metallblatt an.



Beachten Sie die geltenden Bestimmungen zur Verhinderung von Unfällen, die von den zuständigen Berufsorganisationen und von Versicherungsunternehmen herausgebracht werden.

Nehmen Sie keinerlei technische Veränderungen am Werkzeug vor, da dies Ihre Sicherheit gefährden würde.

Der Bediener darf nur die in dieser Betriebsanleitung beschriebenen Wartungs- und Reparaturarbeiten durchführen. Alle anderen Arbeiten müssen von autorisiertem Wartungspersonal durchgeführt werden. Verwenden Sie ausschließlich originale Ersatz- und Zubehörteile, die von DOLMAR freigegeben sind und geliefert werden.

Die Verwendung nicht freigegebener Zubehörteile und Werkzeuge stellt eine erhöhte Unfallgefahr dar.

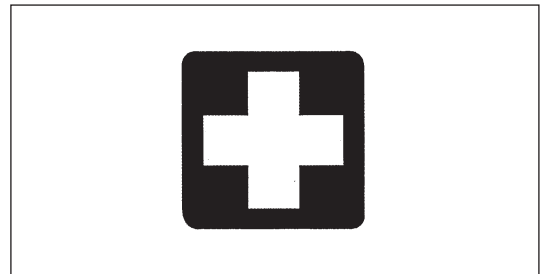
DOLMAR übernimmt keine Haftung für Unfälle oder Schäden, die durch die Verwendung nicht genehmigter Schneidwerkzeuge, Befestigungen der Schneidwerkzeuge und Zubehörteile verursacht werden.

Erste Hilfe

Stellen Sie für den Fall eines Unfalls sicher, dass in der Nähe der Schneidarbeiten ein Erste-Hilfe-Kasten verfügbar ist. Ersetzen Sie aus dem Erste-Hilfe-Kasten entnommene Materialien sofort.

Machen Sie folgende Angaben, wenn Sie Hilfe anfordern:

- Ort des Unfalls
- Was ist passiert
- Anzahl der verletzten Personen
- Art der Verletzungen
- Ihr Name



Nur für europäische Länder

EG-Konformitätserklärung

Makita erklärt, dass die nachfolgende(n) Maschine(n):

Bezeichnung des Geräts/der Geräte: Motorsense

Nummer/Typ des Modells: MS-34 U, MS-34 C

den folgenden Richtlinien der Europäischen Union genügt/genügen:

2000/14/EG, 2006/42/EG

Sie werden gemäß den folgenden Standards oder Normen gefertigt:

EN ISO 11806-1

Die technischen Unterlagen gemäß 2006/42/EG sind erhältlich von:

Makita, Jan-Baptist Vinkstraat 2, 3070, Belgien

Das Verfahren zur Konformitätsbewertung, vorgesehen in 2000/14/EG, erfolgte in Übereinstimmung mit Anhang V.

MS-34 U (mit Nylon-Schneidkopf):

Gemessener Schalleistungspegel: 109,1 dB

Garantierter Schalleistungspegel: 110 dB

MS-34 U (mit Schneidblatt):

Gemessener Schalleistungspegel: 105,8 dB

Garantierter Schalleistungspegel: 106 dB

MS-34 C (mit Nylon-Schneidkopf):

Gemessener Schalleistungspegel: 110,4 dB

Garantierter Schalleistungspegel: 112 dB

MS-34 C (mit Schneidblatt):

Gemessener Schalleistungspegel: 105,9 dB

Garantierter Schalleistungspegel: 107 dB

6. 6. 2014

Handwritten signature of Yasushi Fukaya.

Yasushi Fukaya
Direktor

Makita, Jan-Baptist Vinkstraat 2, 3070, Belgien

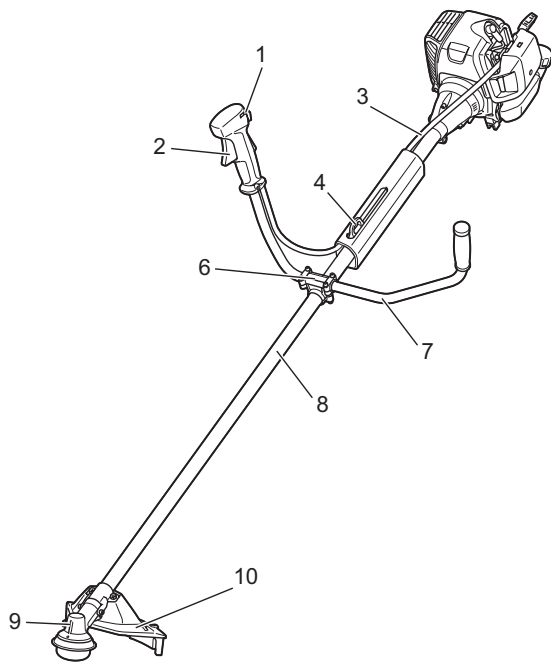
TECHNISCHE DATEN

Modell			MS-34 U		MS-34 C		
Typ des Griffs			Doppelhandgriff		Bügelgriff		
Abmessungen: Länge x Breite x Höhe (ohne Schneidwerkzeug)			1.815 x 650 x 435		1.815 x 330 x 270		
Gewicht (ohne Schutz für Schneidwerkzeug und Schneidwerkzeug)			6,4		6,2		
Fassungsvermögen (Kraftstofftank)			0,75				
Motor-Hubraum			34,0				
Maximale Motorleistung			1,15 bei 7.000 min ⁻¹				
Motordrehzahl bei empfohlener max. Wellendrehzahl			10.000				
Maximale Wellendrehzahl (entsprechend)			6.800				
Leerlaufdrehzahl			2.800				
Drehzahl Kupplungseingriff			4.100				
Vergaser			Typ		WALBLO WYJ		
Zündkerze			Typ		NGK BPMR7A		
Elektrodenabstand			mm		0,6 - 0,7		
			NYLON-SCHNEIDKOPF	METALL-SCHNEIDBLATT	NYLON-SCHNEIDKOPF	METALL-SCHNEIDBLATT	
Schwingungen nach ISO 22867	Rechter Griff (Hinterer Griff)	$a_{hv\ eq}$	m/s ²	4,1	4,0	4,6	4,3
		Abweichung K	m/s ²	1,0	0,5	2,0	1,0
	Linker Griff (Vorderer Griff)	$a_{hv\ eq}$	m/s ²	4,4	4,3	5,5	5,4
		Abweichung K	m/s ²	1,8	1,2	1,4	1,0
Durchschnittlicher Schalldruckpegel nach ISO 22868		$L_{PA\ eq}$	dBA	95,0	92,7	95,9	91,3
		Abweichung K	dBA	2,5	0,7	1,0	1,1
Durchschnittlicher Schalleistungspegel nach ISO 22868		$L_{WA\ eq}$	dBA	109,1	105,8	110,4	105,9
		Abweichung K	dBA	1,0	0,4	1,6	0,8
Gemischverhältnis (Kraftstoff: DOLMAR 2-Takt-Öl)			50 : 1				
Schneidwerkzeuge (Schneidblatt-Durchmesser)			mm		255 (mit 4-Zahn-Blatt)		
Übersetzung Getriebe					13/19		

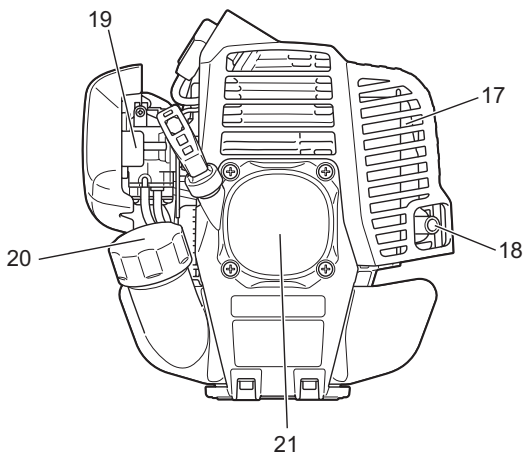
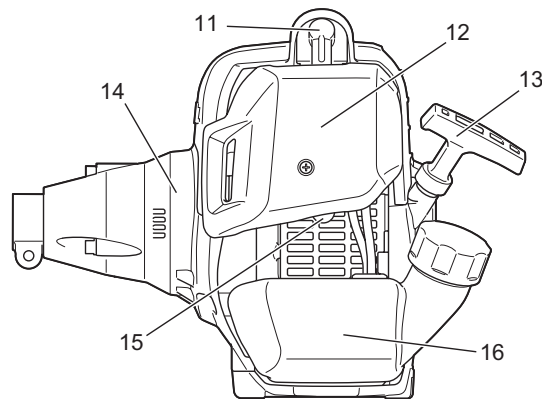
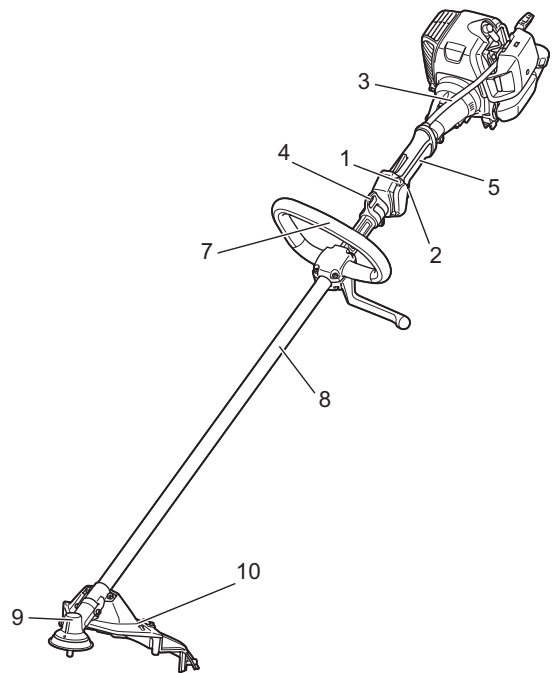
- Aufgrund unserer beständigen Forschungen und Weiterentwicklungen sind Änderungen an den hier angegebenen Technischen Daten ohne Vorankündigung vorbehalten.
- Die Technischen Daten können in den einzelnen Ländern voneinander abweichen.

BEZEICHNUNG DER BAUTEILE

MS-34 U



MS-34 C



	BEZEICHNUNG DER BAUTEILE
1	EIN/AUS-Schalter
2	Gashebel
3	Gaszug
4	Aufhänger
5	Hinterer Griff
6	Griffhalterung
7	Griff
8	Schaftrohr
9	Getriebegehäuse
10	Schutzhaube (für Schneidwerkzeug)
11	Zündkerze
12	Luftfilter
13	Startergriff
14	Kupplungsgehäuse
15	Anlasseinspritzpumpe
16	Kraftstofftank
17	Abgasschalldämpfer
18	Abgasleitung
19	Choke-Hebel
20	Kraftstoff-Tankdeckel
21	Seilzugstarter

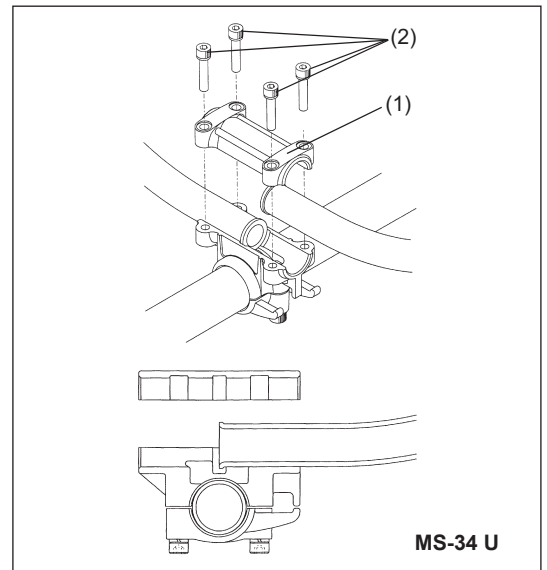
MONTIEREN DES GRIFFS

ACHTUNG: Stoppen Sie vor allen Arbeiten am Werkzeug den Motor und ziehen Sie den Zündkerzenstecker von der Zündkerze.
Tragen Sie immer Schutzhandschuhe!

ACHTUNG: Stellen Sie vor dem Starten sicher, dass das Werkzeug wieder vollständig zusammengebaut ist.

Für Modelle mit Doppelhandgriff

- Setzen Sie den Griff mit dem Gashebel auf die Griffhalterung auf der rechten Seite (sodass er mit der rechten Hand gehalten werden kann) und den anderen auf die linke Seite.
- Führen Sie das Ende des Griffs in die Nut der Griffhalterung ein und befestigen Sie die Oberseite der Griffhalterung (1) provisorisch mit vier Schrauben M5 x 25 (2).
- Stellen Sie den Griff auf einen bequemen Winkel ein und befestigen Sie die Schrauben (2) gleichmäßig auf der rechten und auf der linken Seite.



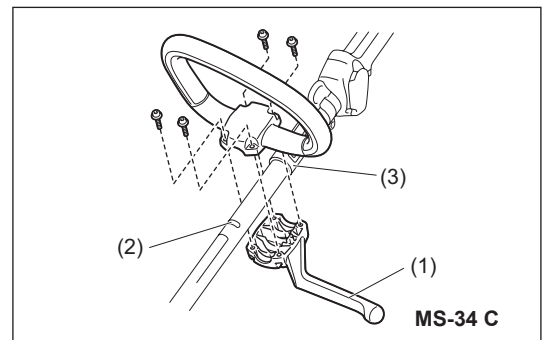
Für Modelle mit Bügelgriff

- Befestigen Sie den Griff so an der Maschine, dass der Absperrstab (1) für den Bedienschutz nach links zeigt.
- Stellen Sie sicher, dass sich die Baugruppe aus Handgriff/Absperrstab zwischen dem Distanzstück und der Pfeilmarkierung (2) befindet.

⚠ WARNUNG: Entfernen oder kürzen Sie das Distanzstück (3) nicht. Das Distanzstück sorgt für einen bestimmten Abstand zwischen den Händen. Wird die Baugruppe aus Handgriff/Absperrstab näher zum anderen Griff platziert als es die Länge des Distanzstücks vorgibt, kann dies zum Verlust der Kontrolle über das Werkzeug und zu schweren Verletzungen führen.

HINWEIS:

- In manchen Ländern wird das Distanzstück nicht mitgeliefert. Montieren Sie in diesem Fall die Baugruppe aus Handgriff/Absperrstab zwischen den Pfeilmarkierungen.

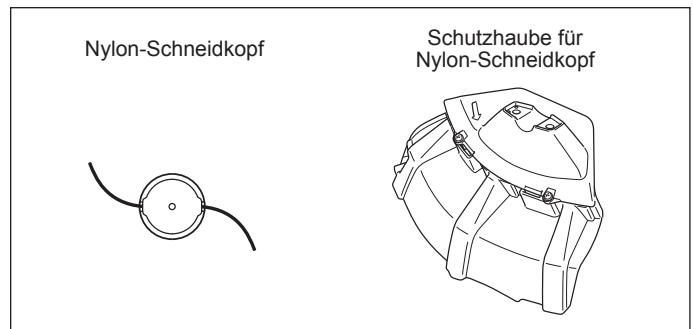
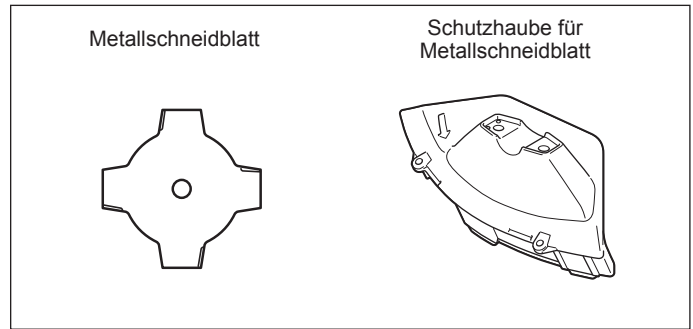


MONTIEREN DER SCHUTZHAUBE

Aufgrund der geltenden Sicherheitsvorschriften dürfen nur die in dieser Übersicht aufgezeigten Werkzeug/Schutzhauben-Kombinationen verwendet werden.

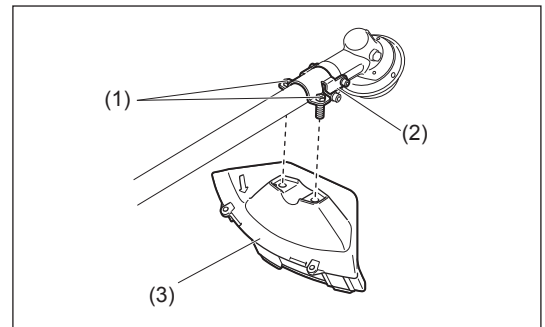
ACHTUNG: Zu Ihrer eigenen Sicherheit und um die Bestimmungen zur Unfallverhinderung einzuhalten, muss stets die entsprechende Schutzhaube angebracht werden. Der Betrieb des Werkzeugs ohne installierte Schutzhaube ist verboten.

HINWEIS: Die serienmäßige Kombination von Schneidwerkzeugen ist in den einzelnen Ländern unterschiedlich.



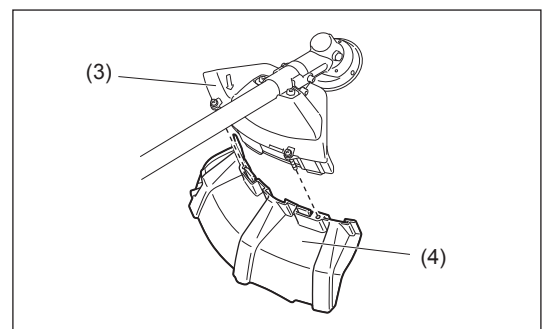
– Befestigen Sie bei Verwendung eines Metallschneidblatts die Schutzhaube (3) mit Hilfe von zwei Schrauben (1) an der Klemme (2).

HINWEIS: Ziehen Sie die rechte und linke Schraube gleichmäßig fest, sodass die Lücke zwischen der Klemme (2) und der Schutzhaube (3) gleich bleibt. Andernfalls könnte die Schutzhaube ggf. nicht wie angegeben funktionieren.



– Vergewissern Sie sich bei Verwendung des Nylonfaden-Abschneiders, dass die Schutzhaube für den Nylonfaden-Abschneider (4) auf der Schutzhaube des Metallschneidblatts befestigt ist (3).

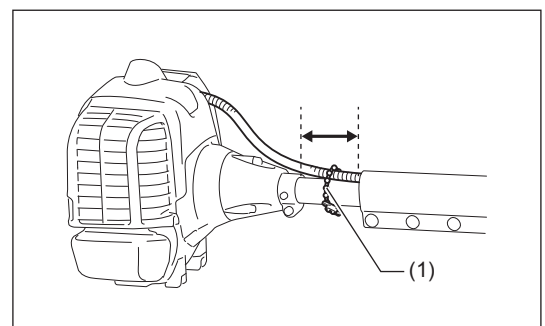
ACHTUNG: Achten Sie darauf, dass Sie sich nicht an der Schneide des Nylonfaden-Abschneiders verletzen.



(Nur für Modell MS-34 U)

Anbringen des Befestigungsbandes

Fixieren Sie den Gaszug und das Schaftrohr in dem auf der Abbildung gezeigten Bereich mit dem Befestigungsband (1).



MONTIEREN DES SCHNEIDWERKZEUGS

Verwenden Sie ausschließlich originale Metallschneidblätter/Nylon-Schneidköpfe von DOLMAR.

- Das Metallschneidblatt muss gut gereinigt sein und darf keine Risse oder Brüche aufweisen. Falls das Metallschneidblatt während des Betriebs gegen Steine schlägt, stoppen Sie den Motor und überprüfen Sie das Schneidblatt sofort.
- Reinigen oder ersetzen Sie das Metallschneidblatt alle drei Betriebsstunden.
- Falls der Nylon-Schneidkopf während des Betriebs gegen einen harten Gegenstand wie einen Stein schlägt, stoppen Sie den Motor und überprüfen Sie den Nylon-Schneidkopf sofort.

ACHTUNG: Zu Ihrer eigenen Sicherheit und um die Bestimmungen zur Unfallverhinderung einzuhalten, muss stets die entsprechende Schutzhaube angebracht werden.

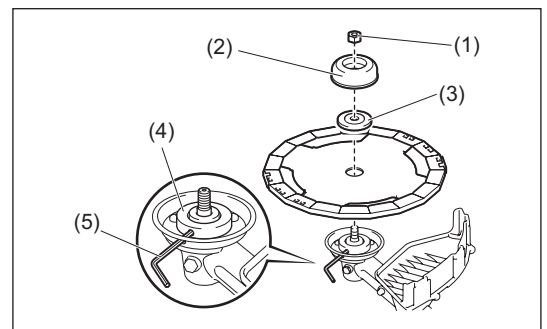
Der Betrieb des Werkzeugs ohne installierte Schutzhaube ist verboten.

Der Außendurchmesser des Schneidblatts darf max. 255 mm (10") betragen. Verwenden Sie niemals ein Blatt mit einem Außendurchmesser über 255 mm (10").

ACHTUNG: Vergewissern Sie sich vor dem Betrieb des Werkzeugs, dass das Schneidwerkzeug fest angebracht ist.

Das Metallschneidblatt bzw. den Nylon-Schneidkopf können Sie problemlos austauschen, wenn Sie vorher das Werkzeug umdrehen.

- Stecken Sie den Innensechskantschlüssel (5) durch die Öffnung im Getriebegehäuse und drehen Sie die Aufnahmescheibe (4), bis diese vom Innensechskantschlüssel erfasst wird.
- Lösen Sie die Mutter (1) (Linksgewinde) mit dem Steckschlüssel, und entfernen Sie die Mutter (1), Kappe (2) und Klemmscheibe (3).

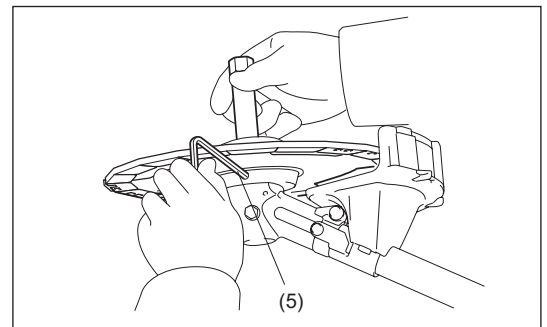


Montieren des Metallschneidblatts mit eingestecktem Innensechskantschlüssel (5)

- Montieren Sie das Metallschneidblatt so auf die Welle, dass die Führung der Aufnahmescheibe (4) in das Wellenloch im Metallschneidblatt passt. Befestigen Sie die Klemmscheibe (3) und die Kappe (2), und sichern Sie das Metallschneidblatt mit der Mutter (1).
[Anzugsmoment: 13 bis 23 N m]

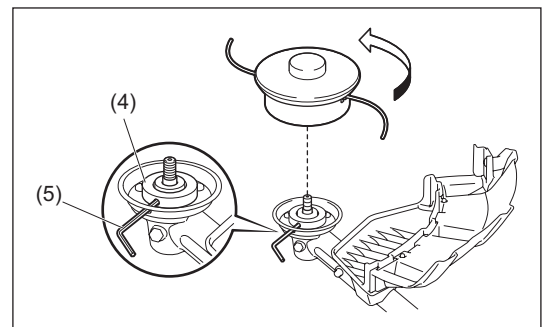
HINWEIS: Tragen Sie beim Umgang mit dem Metallschneidblatt immer Schutzhandschuhe.

HINWEIS: Die Mutter zum Festziehen des Metallschneidblatts (mit Federscheibe) ist ein Verschleißteil. Wenn Sie Verschleiß oder Deformation an der Federscheibe feststellen, ersetzen Sie die Mutter.



Montieren des Nylon-Schneidkopfs

- Für die Montage des Nylon-Schneidkopfs werden die Klemmscheibe (3), die Kappe (2) und die Mutter (1) nicht benötigt. Der Nylon-Schneidkopf muss auf die Aufnahmescheibe (4) passen.
- Stecken Sie den Innensechskantschlüssel (5) durch die Öffnung im Getriebegehäuse und drehen Sie die Aufnahmescheibe (4), bis diese vom Innensechskantschlüssel erfasst wird.
- Schrauben Sie anschließend den Nylon-Schneidkopf auf den Schaft auf, indem Sie den Schneidkopf gegen den Uhrzeigersinn drehen.
- Entfernen Sie den Innensechskantschlüssel (5).



Drehrichtung



Umgang mit Mineralölprodukten

Beim Umgang mit Kraftstoffen ist äußerste Vorsicht geboten. Kraftstoffe können Substanzen enthalten, die wie Lösungsmittel wirken. Betanken Sie die Maschine ausschließlich an einem gut belüfteten Ort im Freien. Atmen Sie Kraftstoffdämpfe nicht ein, und vermeiden Sie jeglichen Kontakt von Kraftstoffen und Ölen mit der Haut.

Mineralölzerzeugnisse wirken hautentfettend. Wenn Ihre Haut über längere Zeit wiederholt mit derartigen Substanzen in Kontakt kommt, trocknet die Haut aus, wodurch es zu verschiedenen Hautkrankheiten kommen kann. Außerdem wurde von allergischen Reaktionen berichtet. Wenn Öle, Kraftstoffe usw. in die Augen gelangen, können Augenirritationen auftreten.

Falls Öl in Ihre Augen gelangt, spülen Sie die Augen sofort mit klarem Wasser. Falls die Augenirritationen anhalten, suchen Sie sofort einen Arzt auf.

Kraftstoff-Öl-Gemisch

Die Motorsense wird von einem Hochleistungs-Zweitaktmotor angetrieben. Dieser Motor wird mit einem Gemisch aus Kraftstoff und Zweitaktöl betrieben. Der Motor ist für bleifreies Normalbenzin mit einer Oktanzahl von mindestens RON 91 vorgesehen. Ist dieser Kraftstoff nicht verfügbar, können Sie einen Kraftstoff mit höherer Oktanzahl verwenden. Dies hat keinen Einfluss auf den Motor, kann jedoch die Betriebsleistung schmälern.

Ähnliche Probleme treten bei der Verwendung von verbleitem Kraftstoff auf. Um ein optimales Betriebsverhalten des Motors zu erreichen und um Ihre Gesundheit und die Umwelt zu schützen, sollte ausschließlich bleifreier Kraftstoff verwendet werden!

Verwenden Sie zur Schmierung des Motors 2-Takt-Motoröl (Qualität: JASO FC oder ISO EGD), das dem Kraftstoff zugesetzt wird. Zum Schutz der Umwelt ist der Motor für die Verwendung des DOLMAR Zweitakt-Motoröls in einem Mischungsverhältnis von 50:1 ausgelegt. Dadurch sind außerdem eine lange Lebensdauer und ein zuverlässiger Betrieb bei minimaler Abgasemission gegeben. Das Mischungsverhältnis Kraftstoff zu DOLMAR Zweitakt-Motoröl von 50:1 muss unbedingt eingehalten werden. Anderenfalls kann der zuverlässige Betrieb der Motorsense beeinträchtigt werden.

Das korrekte Mischungsverhältnis:

Mischen Sie 50 Teile Kraftstoff mit 1 Teil DOLMAR 2-Takt-Motoröl (siehe Tabelle rechts).

HINWEIS: Zum Zubereiten des Gemischs mischen Sie in einem zugelassenen Gefäß, das alle Vorgaben örtlich geltender Bestimmungen einhält oder übertrifft, erst die gesamte Menge an Öl mit der halben Menge des benötigten Kraftstoffs. Geben Sie anschließend die restliche Kraftstoffmenge zu. Mischen Sie das Gemisch durch Schütteln gut durch, bevor Sie es in den Tank der Motorsense einfüllen. Es ist unklug, in der Annahme, dem Motor Gutes zu tun, mehr als die vorgegebene Menge an Motoröl beizumischen. Dadurch werden lediglich mehr Verbrennungsrückstände produziert, die die Umwelt verschmutzen und den Abgaskanal im Zylinder, die Zündkerze sowie den Schalldämpfer verstopfen. Außerdem steigt der Kraftstoffverbrauch, und die Leistung sinkt.

Betanken

Nehmen Sie das Betanken niemals in geschlossenen Räumen oder nicht gut belüfteten Bereichen vor.

Der Motor muss ausgeschaltet sein!

- Reinigen Sie den Bereich um den Tankdeckel sorgfältig, damit kein Schmutz in den Kraftstofftank (1) gelangt.
- Schrauben Sie den Tankdeckel (2) ab und füllen Sie den Tank mit Kraftstoff.
- Füllen Sie den Kraftstofftank niemals ganz voll.
- Schrauben Sie den Tankdeckel fest auf.
- Wischen Sie nach dem Betanken Schraubverschluss und Tank mit einem saugfähigen Lappen ab!
- Lassen Sie Putzlappen trocknen und entsorgen Sie diese in ein geeignetes Behältnis.

HINWEIS: In manchen Ländern ist der Tankdeckel nicht mit einem Band (3) ausgestattet.



Aufbewahrung von Kraftstoffen

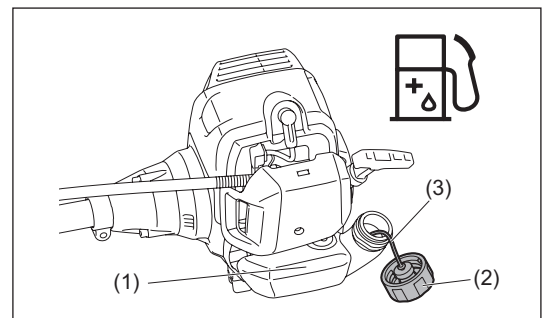
Kraftstoff kann nicht unbegrenzt gelagert werden. Kaufen Sie nur die Menge, die Sie in einem Betriebszeitraum von 4 Wochen benötigen. Verwenden Sie ausschließlich zugelassene Kraftstoffbehälter.



Beachten Sie die Sicherheitsanweisungen auf Seite 46!



Kraftstoff (unverbleites Normalbenzin)	50:1
	
1.000 cm ³ (1 l) 5.000 cm ³ (5 l) 10.000 cm ³ (10 l)	20 cm ³ 100 cm ³ 200 cm ³



RICHTIGE HANDHABUNG DER MASCHINE

WARNUNG: Der Verlust der Kontrolle über das Werkzeug kann zu schweren oder gar TÖDLICHEN Verletzungen führen.

Befestigen des Schultergurts

- Stellen Sie die Gurtlänge so ein, dass das Schneidblatt parallel zum Boden geführt wird.

Abtrennung

Für MS-34 U

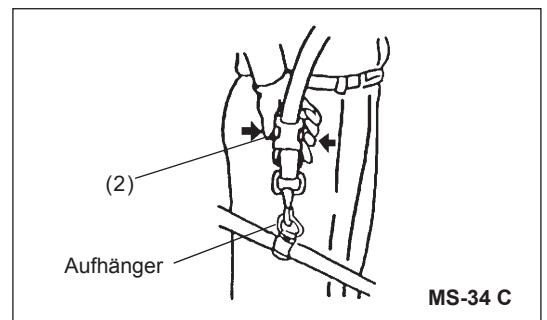
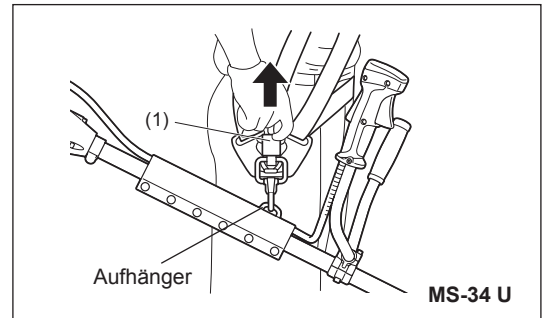
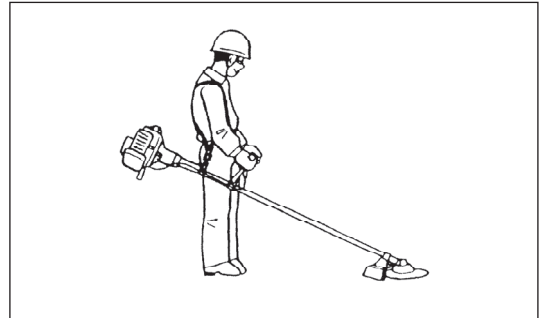
- Ziehen Sie im Notfall den Haken (1) nach oben, um die Maschine von Ihnen zu trennen.

Gehen Sie äußerst vorsichtig vor, damit Sie jederzeit die Kontrolle über das Werkzeug behalten. Lassen Sie nicht zu, dass das Werkzeug in Ihre Richtung oder in Richtung anderer Personen in Ihrer Nähe schwenkt.

Für MS-34 C

- Drücken Sie im Notfall die Einrastungen (2) an beiden Seiten, und Sie können das Werkzeug von sich abtrennen.

Gehen Sie äußerst vorsichtig vor, damit Sie jederzeit die Kontrolle über das Werkzeug behalten. Lassen Sie nicht zu, dass das Werkzeug in Ihre Richtung oder in Richtung anderer Personen in Ihrer Nähe schwenkt.



WICHTIGE BETRIEBSSCHRITTE UND STOPPEN DES WERKZEUGS

ACHTUNG: Beachten Sie die geltenden Bestimmungen zur Unfallverhütung!

STARTEN

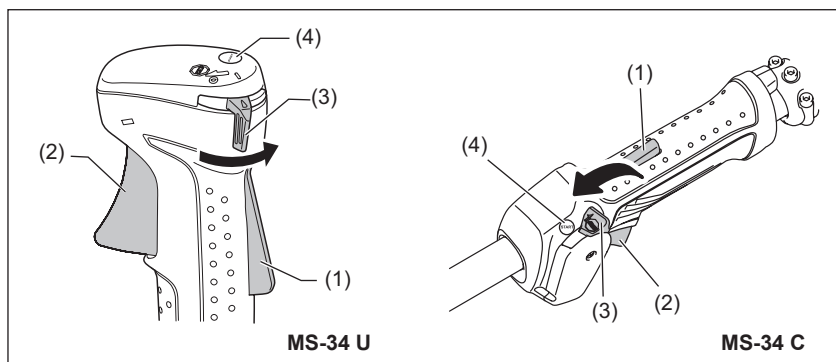
WARNUNG: Beachten Sie, dass sich das Schneidwerkzeug sofort nach dem Motorstart zu drehen beginnt. Achten Sie darauf, dass das Schneidwerkzeug nicht mit harten Gegenständen wie Ästen, Steinen usw. in Kontakt kommt.

ACHTUNG:

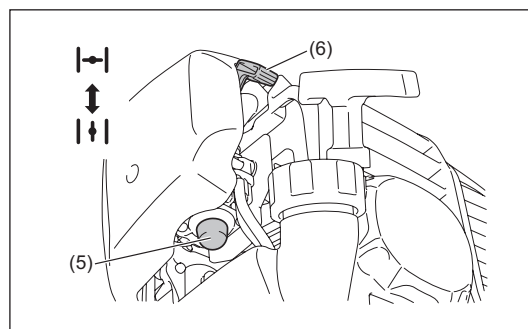
- Bewegen Sie sich mindestens 3 m von dem Platz des Auftankens weg. Legen Sie das Werkzeug auf einem sauberen Untergrund ab und achten Sie darauf, dass das Schneidwerkzeug nicht in Kontakt mit dem Erdboden oder anderen Gegenständen kommt.
- Ziehen Sie das Starterseil niemals ganz heraus. Lassen Sie beim Ziehen den Startergriff niemals unvermittelt los. Halten Sie den Startergriff, bis dieser in die ursprüngliche Lage zurückgekehrt ist.

A: Kaltstart

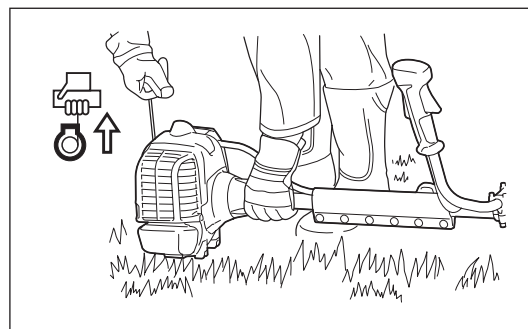
- 1) Legen Sie das Werkzeug auf einer ebenen Fläche ab.
- 2) Umfassen Sie den Griff (die Sicherheitssperre (1) wird dadurch entriegelt).
- 3) Drücken Sie den Gashebel (2) und halten Sie ihn gedrückt.
- 4) Schieben Sie den EIN/AUS-Schalter (3) auf START (4). Dadurch wird der Gashebel in der Position Halbgas verriegelt.



- 5) Drücken Sie mehrmals (7 bis 10 Mal) leicht die Anlasseinspritzpumpe (5), bis Kraftstoff in die Anlasseinspritzpumpe gelangt.
- 6) Bringen Sie den Choke-Hebel (6) in die oberste Stellung (|⇌| - Choke geschlossen).



- 7) Halten Sie das Gerät gut mit der linken Hand fest.
- 8) Ziehen Sie den Startergriff langsam, bis Sie eine Komprimierung spüren. Ziehen Sie ihn dann kräftig.
- 9) Wiederholen Sie den Startvorgang, bis die ersten Zündungen zu hören sind.
- 10) Nachdem der Motor angesprungen ist, bringen Sie den Choke-Hebel wieder in die Position „|⇓| - Choke geöffnet“.
- 11) Umfassen Sie, sobald der Motor anspringt, sofort den Griff (die Sicherheitssperre wird dadurch entriegelt), ziehen Sie etwas am Gashebel und lassen Sie ihn los. (Dadurch wird die Position Halbgas entriegelt und der Motor läuft im Leerlauf.)
- 12) Lassen Sie den Motor für etwa eine Minute mit einer recht niedrigen Drehzahl laufen, bevor Sie den Motor voll belasten.



B: Warmstart

- Der warme Motor wird wie oben beschrieben gestartet, außer dass Sie den Choke-Hebel nicht betätigen (der Choke-Hebel bleibt in der Stellung „|⇓| - Choke geöffnet“).

HINWEIS:

Falls zu viel Kraftstoff in den Motor gelangt ist, schrauben Sie die Zündkerze heraus und ziehen Sie langsam am Startergriff, damit der überflüssige Kraftstoff aus dem Motor austritt. Trocknen Sie außerdem die Elektroden der Zündkerze.

Vorsichtsmaßnahmen bei Betrieb: Wird der Gashebel im Betrieb ohne Last vollständig geöffnet, erhöht sich die Motordrehzahl auf 10.000 min⁻¹ oder mehr.

Betreiben Sie den Motor niemals mit einer höheren Drehzahl als erforderlich. Betreiben Sie den Motor mit einer Drehzahl von etwa 6.000 bis 8.000 min⁻¹.

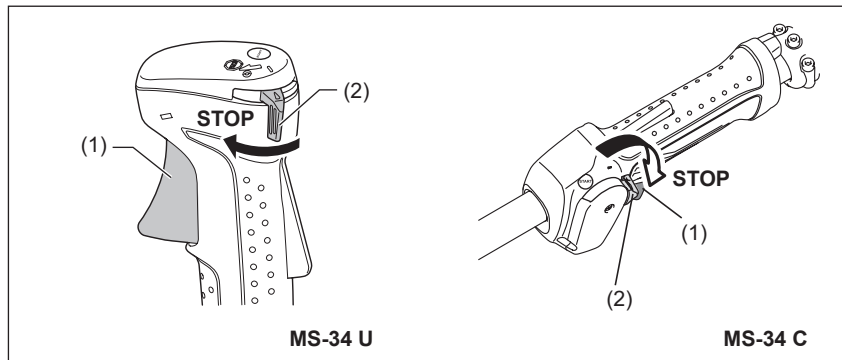
STOPPEN

- 1) Lassen Sie den Gashebel (1) ganz los.
- 2) Stellen Sie den EIN/AUS-Schalter (2) auf die Position „STOP“, sobald sich die Motordrehzahl reduziert hat.

ACHTUNG:

Seien Sie sich bewusst, dass der Schneidkopf nicht sofort stehen bleibt.

Warten Sie, bis er zum Stillstand gekommen ist.

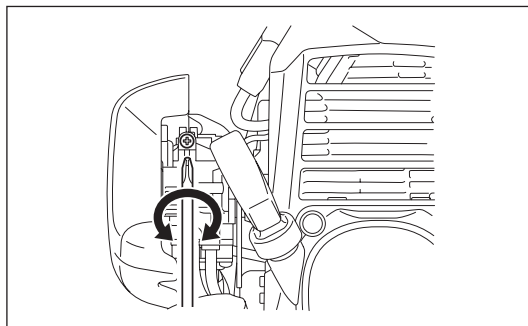


EINSTELLEN DER LEERLAUFDREHZAHL

Passen Sie die Leerlaufdrehzahl bei Bedarf mit Hilfe der Vergaser-Einstellschraube an.

ÜBERPRÜFEN DER LEERLAUFDREHZAHL

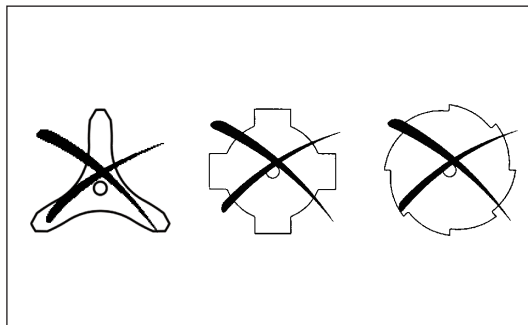
- Stellen Sie eine Leerlaufdrehzahl von 2.800 min^{-1} ein.
Wenn die Leerlaufdrehzahl nachgestellt werden muss, setzen Sie einen Kreuzschlitz-Schraubendreher auf die Schraube auf.
- Um die Leerlaufdrehzahl zu erhöhen, drehen Sie die Einstellschraube im Uhrzeigersinn.
Um die Leerlaufdrehzahl zu verringern, drehen Sie die Einstellschraube gegen den Uhrzeigersinn.
- Der Vergaser wurde werksseitig eingestellt. Nach einer gewissen Nutzungszeit muss jedoch möglicherweise die Leerlaufdrehzahl nachgestellt werden.



NACHSCHÄRFEN DES SCHNEIDWERKZEUGS

ACHTUNG: Die in der Abbildung dargestellten Schneidwerkzeuge dürfen nicht geschärft werden. Ein manuelles Nachschärfen führt zu Unwuchten des Schneidwerkzeugs, wodurch Vibrationen und Beschädigungen des Werkzeugs verursacht werden.

HINWEIS: Zur Verlängerung der Lebenszeit des Schneidmessers kann das Schneidmesser einmal umgedreht werden, damit die Schneidkanten auf beiden Seiten abgenutzt werden.

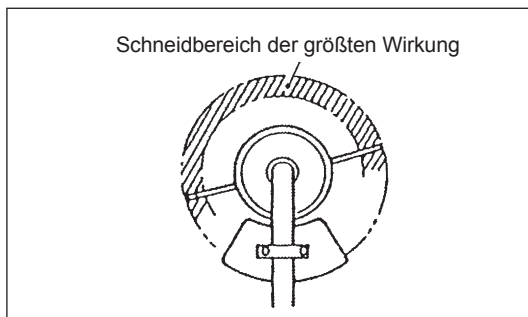


NYLON-SCHNEIDKOPF

Der Nylon-Schneidkopf ist ein zweiseitiger Trimmerkopf mit einem Mechanismus zum Nachführen des Schneidfadens durch leichtes Aufstoßen des Schneidkopfs auf den Boden (BUMP & FEED). Der Nylonfaden tritt weiter aus dem Nylon-Schneidkopf heraus, nachdem der Schneidkopf bei niedriger Drehzahl auf den Boden aufgestoßen wird.

Betrieb

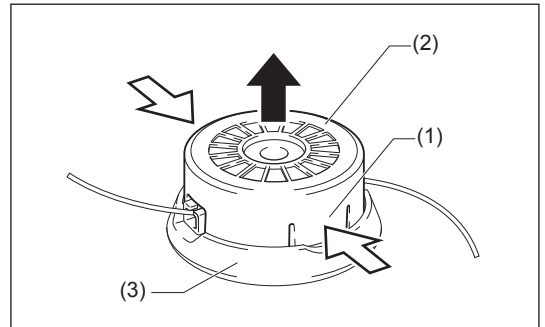
- Erhöhen Sie die Drehzahl des Nylon-Schneidkopfes auf ca. 6.000 min^{-1} . Stoßen Sie den Nylon-Schneidkopf leicht auf den Boden auf.
- Der effektivste Schnittbereich ist schraffiert dargestellt.
- Falls der Nylonfaden nicht herausgeführt wird, spulen Sie den Nylonfaden auf oder tauschen Sie ihn aus (siehe Abschnitt „Ersetzen des Nylonfadens“).



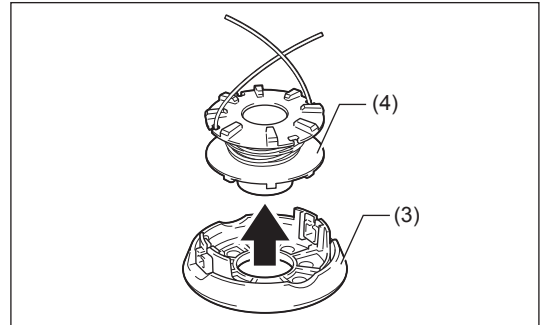
Ersetzen des Nylonfadens (BUMP & FEED)

⚠️ WARNUNG:

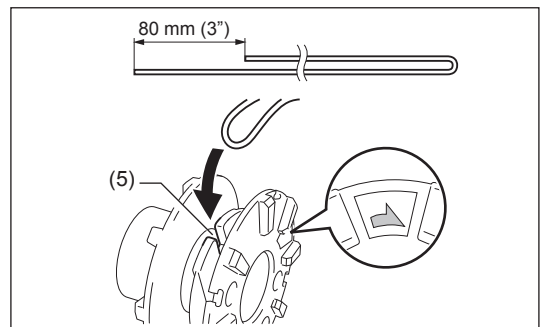
- Vergewissern Sie sich, dass die Abdeckung des Nylon-Schneidkopfes ordnungsgemäß auf dem Gehäuse gesichert ist (siehe folgende Beschreibung). Bei unsachgemäß gesicherter Abdeckung kann der Nylon-Schneidkopf auseinanderfliegen und schwere Verletzungen verursachen.
1. Drücken Sie die Laschen (1) am Gehäuse (2) nach innen und ziehen Sie die Abdeckung (3) nach oben ab.



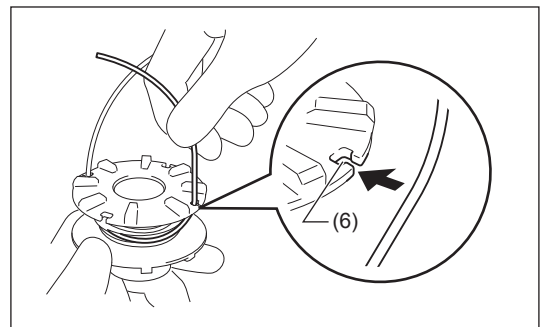
2. Ziehen Sie den Nylonfaden aus der Fadenführung. Entfernen Sie dann die Spule (4) aus der Abdeckung. Entfernen Sie die noch vorhandenen Reste des Nylonfadens.



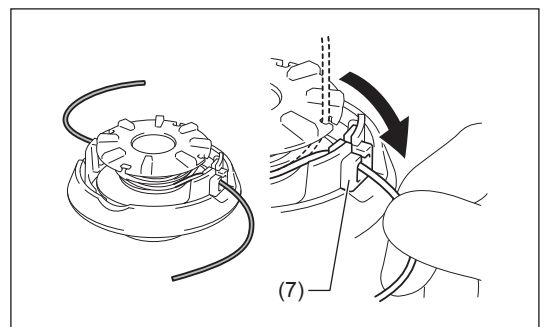
3. Haken Sie die Mitte des neuen Nylonfadens in die Einkerbung (5) in der Mitte der Spule zwischen den 2 Kanälen ein. Eine Seite des Fadens muss ca. 80 mm (3") länger sein als die andere Seite. Wickeln Sie beide Enden fest in Pfeilrichtung (Markierung auf der Spule) auf die Spule.



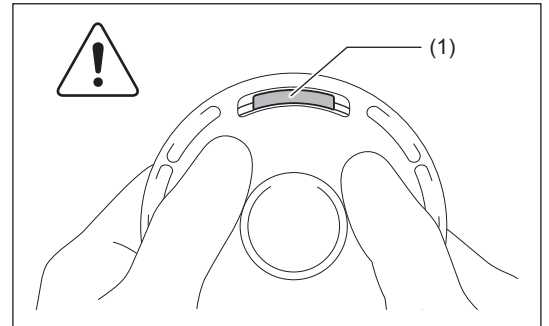
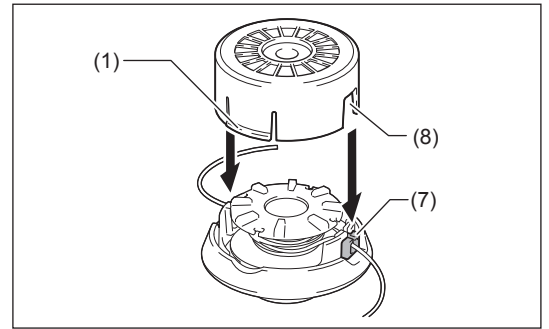
4. Wickeln Sie beide Enden des Fadens bis auf etwa 100 mm (4") um die Spule und haken Sie die freien Enden vorübergehend in den Einkerbungen (6) ein.



5. Montieren Sie die Spule so in der Abdeckung, dass die Einkerbungen den Fadenführungen (7) gegenüberliegen. Haken Sie die Enden des Fadens aus ihrer vorübergehenden Position aus und führen Sie die Fadenenden durch die Fadenführungen.



6. Richten Sie die quadratischen Schlitz (8) am Gehäuse an den Fadenführungen (7) aus. Drücken Sie dann das Gehäuse fest auf die Abdeckung. Vergewissern Sie sich, dass die Laschen (1) richtig in der Abdeckung sitzen.



WARTUNGSANWEISUNGEN

ACHTUNG: Stoppen Sie vor allen Arbeiten am Werkzeug den Motor und ziehen Sie den Zündkerzenstecker von der Zündkerze (siehe „Überprüfen der Zündkerze“) ab.
Tragen Sie immer Schutzhandschuhe!

Führen Sie die folgenden Wartungsarbeiten regelmäßig durch, um eine lange Lebenszeit des Werkzeugs zu erzielen und Beschädigungen am Werkzeug zu vermeiden.

Tägliche Inspektionen und Wartungsarbeiten

- Überprüfen Sie das Werkzeug vor dem Betrieb auf gelockerte Schrauben und fehlende Teile. Achten Sie besonders auf den festen Sitz des Metallschneidblatts bzw. des Nylon-Schneidkopfes.
- Überprüfen Sie vor jedem Betrieb, ob die Kühlluftdurchgänge und die Zylinderrippen verstopft sind. Reinigen Sie diese gegebenenfalls.
- Führen Sie täglich nach der Arbeit die folgenden Wartungsarbeiten durch:
 - Reinigen Sie das Werkzeug äußerlich und überprüfen Sie das Werkzeug auf Beschädigungen.
 - Reinigen Sie den Luftfilter. Wenn Sie unter sehr staubigen Bedingungen arbeiten, reinigen Sie den Filter mehrmals am Tag.
 - Überprüfen Sie das Schneidmesser bzw. den Nylon-Schneidkopf auf Beschädigungen und auf ordnungsgemäßen Sitz.
 - Prüfen Sie, ob der Unterschied zwischen Leerlauf- und Betriebsdrehzahlen ausreichend ist, damit das Werkzeug bei Leerlauf des Motors im Stillstand ist (reduzieren Sie bei Bedarf die Leerlaufdrehzahl).
Falls sich das Werkzeug während des Leerlaufs des Motors weiter dreht, wenden Sie sich an das nächste autorisierte Servicezentrum.
- Prüfen Sie den EIN/AUS-Schalter, den Entriegelungshebel, den Gashebel und die Verriegelungstaste auf ordnungsgemäße Funktion.

REINIGEN DES LUFTFILTERS



WARNUNG: Schalten Sie den Motor aus, halten Sie den Motor von offenen Flammen fern und rauchen Sie nicht.

Intervall für Reinigung und Inspektion: Täglich (alle 10 Betriebsstunden)

- Drehen Sie den Choke-Hebel (4) vollständig zu, und halten Sie den Vergaser fern von Staub und Schmutz.

Abnehmen der Luftfilterabdeckung

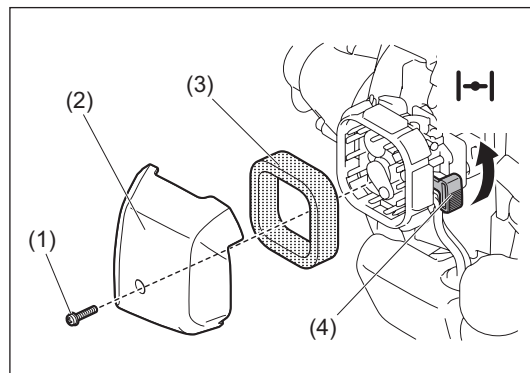
- Entfernen Sie die Schraube (1), und nehmen Sie die Luftfilterabdeckung (2) ab.

Reinigung des Filtereinsatzes

- Entnehmen Sie den Filtereinsatz (3), und klopfen Sie den Schmutz aus dem Einsatz.
- Bei starker Verschmutzung:
Entfernen Sie den Schwammeinsatz, waschen Sie diesen in mit Wasser verdünntem Reinigungsmittel und trocknen Sie ihn vollständig.
- Tauchen Sie den Einsatz nach dem Trocknen in 2-Takt-Motoröl, und wringen Sie ihn danach aus, um überschüssiges Öl zu entfernen.
- Achten Sie vor dem Einbau des Schwammeinsatzes darauf, dass der Einsatz gleichmäßig mit Öl bedeckt ist. Überschüssiges Öl kann zu Schwierigkeiten beim Starten des Motors führen.
- Wischen Sie um die Luftfilterabdeckung anhaftendes Öl mit Hilfe eines Putzlappens ab.

Anbringen der Luftfilterabdeckung

- Setzen Sie den Schwammeinsatz nach der Reinigung wieder ein. Setzen Sie die Luftfilterabdeckung wieder auf. Befestigen Sie diese anschließend mit der Schraube.



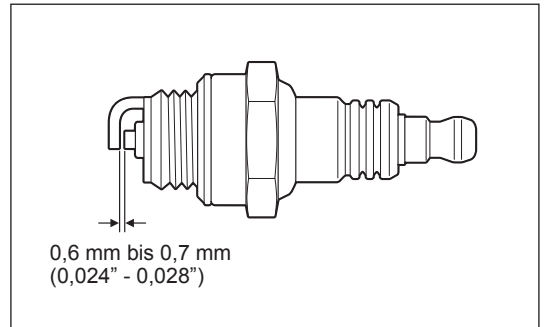
HINWEIS:

- Sollten übermäßiger Staub und Schmutz am Luftfilter anhaften, reinigen Sie den Luftfilter täglich. Verschmutzte Filtereinsätze führen zum Absinken der Motorleistung und erschweren das Starten des Motors.
- Reinigen Sie die Filtereinsätze von Öl. Falls der Betrieb mit överschmutzten Filtereinsätzen fortgesetzt wird, kann Öl aus dem Luftfilter austreten und zu einer Ölverschmutzung führen.
- Legen Sie die Einsätze nicht auf der Erde oder an verschmutzten Stellen ab. Andernfalls können anhaftender Staub oder Schmutz Schäden am Motor verursachen.
- Verwenden Sie zum Reinigen der Einsätze niemals Kraftstoff. Die Filtereinsätze können durch Kraftstoff beschädigt werden.

ÜBERPRÜFEN DER ZÜNDKERZE

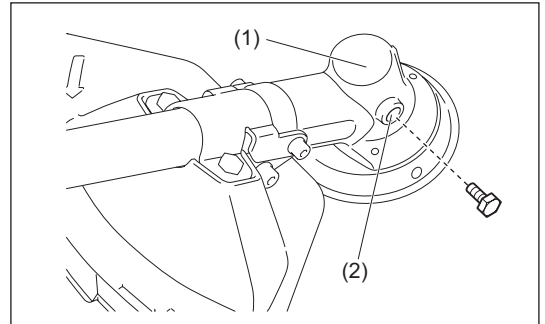
- Schrauben Sie die Zündkerze ausschließlich mit dem mitgelieferten Universalschlüssel heraus und ein.
- Der Abstand zwischen den Elektroden der Zündkerze sollte zwischen 0,6 und 0,7 mm liegen. Wenn der Abstand zu klein oder zu groß ist, korrigieren Sie den Abstand. Falls die Zündkerze verschmutzt oder verstopft ist, reinigen Sie diese gründlich oder ersetzen Sie sie. Stecken Sie nach dem Prüfen den Kerzenstecker wieder ordnungsgemäß auf.

ACHTUNG: Berühren Sie bei laufendem Motor niemals den Zündkerzenstecker (Gefahr eines Hochspannungsschlags).



EINBRINGEN VON SCHMIERFETT IN DAS GETRIEBEGEHÄUSE

- Bringen Sie nach jeweils 30 Betriebsstunden Schmierfett (Shell Alvania 2 oder gleichwertig) durch die Schmieröffnung (2) in das Getriebegehäuse (1) ein. (Original-DOLMAR-Schmierfett erhalten Sie bei Ihrem DOLMAR-Händler.)



REINIGEN DES KRAFTSTOFFFILTERS

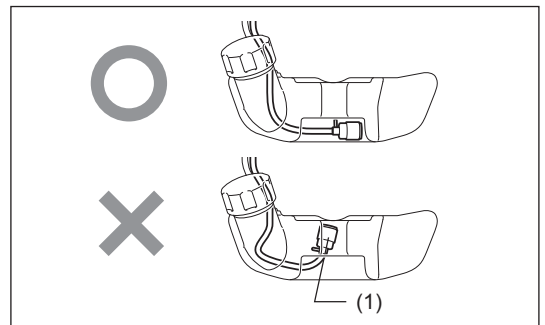
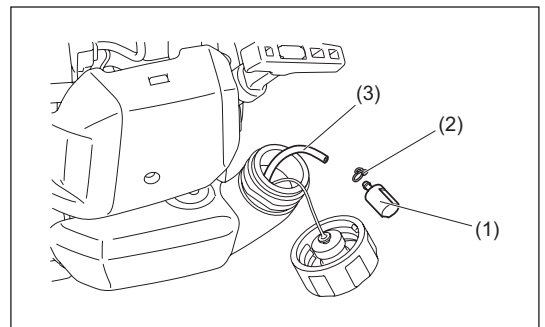
WARNUNG: OFFENE FLAMMEN STRENGSTENS VERBOTEN

Inspektionsintervall: Monatlich (alle 50 Betriebsstunden)

Ansaugkopf im Kraftstofftank

Überprüfen Sie den Kraftstofffilter (1) regelmäßig. Führen Sie die nachfolgenden Schritte aus, um den Kraftstofffilter zu überprüfen:

1. Nehmen Sie den Tankdeckel ab und lassen Sie den Kraftstoff ab, bis der Tank leer ist. Überprüfen Sie das Tankinnere auf Fremdkörper. Entfernen Sie diese, falls vorhanden.
2. Ziehen Sie mit Hilfe eines Drahthakens den Ansaugkopf durch die Tanköffnung.
3. Reinigen Sie den Kraftstofffilter, wenn er leicht verschmutzt ist. Reinigen Sie ihn, indem Sie ihn sanft in Kraftstoff bewegen und ausklopfen. Drücken oder reiben Sie den Filter nicht, da der Filter dadurch beschädigt werden könnte. Der für das Reinigen verwendete Kraftstoff muss entsprechend der örtlich geltenden Gesetze und Bestimmungen entsorgt werden. Wenn der Kraftstofffilter verhärtet oder stark verstopft ist, tauschen Sie den Filter aus.
4. Setzen Sie den Kraftstofffilter nach dem Überprüfen, Reinigen oder Austauschen in die Kraftstoffleitung (3) ein und befestigen Sie ihn mit der Schlauchklemme (2). Drücken Sie den Kraftstofffilter ganz bis auf den Boden des Kraftstofftanks.



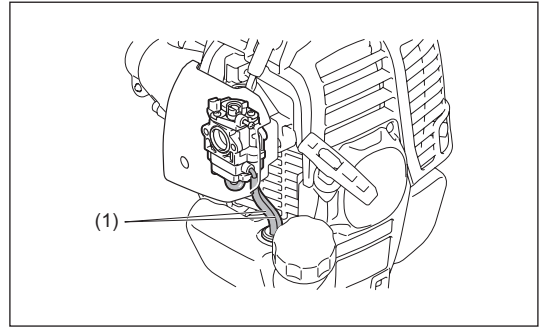
Ein verstopfter oder beschädigter Kraftstofffilter kann zu einer unzureichenden Zufuhr von Kraftstoff und zu einem Absinken der Motorleistung führen. Tauschen Sie den Kraftstofffilter mindestens alle 3 Monate aus, damit eine ausreichende Kraftstoffzufuhr zum Vergaser sichergestellt ist.

AUSTAUSCHEN DER KRAFTSTOFFLEITUNG

ACHTUNG: OFFENE FLAMMEN STRENGSTENS VERBOTEN

Intervall für Reinigung und Inspektion: Täglich (alle 10 Betriebsstunden)
Austausch: Jährlich (alle 200 Betriebsstunden)

Tauschen Sie die Kraftstoffleitung (1) jedes Jahr aus, unabhängig von der Häufigkeit des Betriebs. Kraftstofflecks können einen Brand verursachen. Falls Sie bei der Inspektion ein Leck entdecken, tauschen Sie die Kraftstoffleitung sofort aus.



INSPEKTION VON SCHRAUBEN UND MUTTERN

- Ziehen Sie lose Schrauben, Muttern usw. wieder fest.
- Überprüfen Sie, ob Kraftstoffdeckel und Öldeckel fest sitzen. Prüfen Sie auf Kraftstoff- und Öllecks.
- Tauschen Sie beschädigte Bauteile durch neue aus, damit ein sicherer Betrieb gegeben ist.

REINIGEN VON BAUTEILEN

- Halten Sie den Motor stets sauber, indem Sie den Motor mit einem Putzlappen abwischen.
- Halten Sie die Zylinderrippen frei von Staub und Schmutz. An den Lamellen anhaftender Staub und Schmutz kann zu einem Festfressen des Kolbens führen.

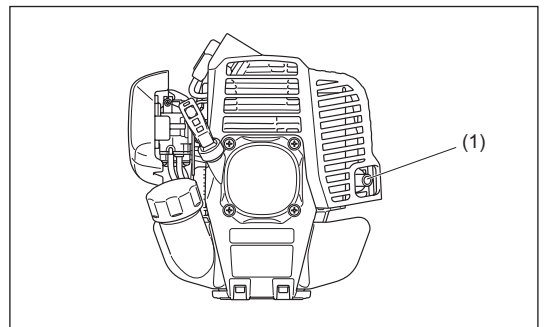
AUSTAUSCHEN VON DICHTUNGEN

Setzen Sie nach einem Zerlegen des Motors neue Dichtungen ein.

Alle Wartungsarbeiten oder Einstellungen, die in diesem Handbuch nicht beschrieben wurden, müssen von autorisierten Servicezentren durchgeführt werden.

REINIGEN DER AUSTRITTSÖFFNUNG DES SCHALLDÄMPFERS

- Überprüfen Sie die Austrittsöffnung des Schalldämpfers (1) regelmäßig.
- Wenn die Austrittsöffnung durch Kohleablagerungen verstopft ist, kratzen Sie die Ablagerungen mit Hilfe eines geeigneten Werkzeugs ab.



AUFBEWAHRUNG

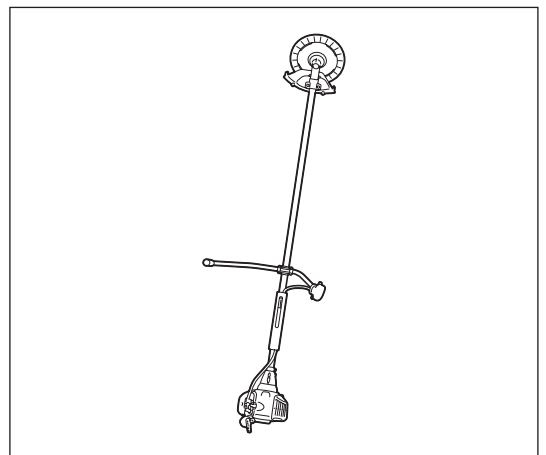


WARNUNG: Kurz nach dem Stoppen des Motors ist der Motor sehr heiß. Warten Sie nach dem Stoppen des Motors eine ausreichende Zeit, bis sich der Motor abgekühlt hat, bevor Sie den Kraftstoff ablassen. Andernfalls kann es zu Verbrennungen der Haut und/oder einem Brand kommen.



GEFAHR: Wenn das Werkzeug für längere Zeit nicht betrieben wird, lassen Sie den gesamten Kraftstoff aus Tank und Vergaser ab, und lagern Sie das Werkzeug an einem trockenen und sauberen Ort.

- Gehen Sie zum Ablassen des Kraftstoffs aus dem Tank und dem Vergaser wie folgt vor:
 - 1) Nehmen Sie den Kraftstoff-Tankdeckel ab, und lassen Sie den Kraftstoff vollständig ab.
Entfernen Sie ggf. im Kraftstofftank zurückbleibende Fremdkörper.
 - 2) Ziehen Sie mit Hilfe eines Drahhakens den Kraftstofffilter durch die Tanköffnung.
 - 3) Betätigen Sie die Anlasseinspritzpumpe, bis der Kraftstoff aus der Pumpe abgeleitet wurde, und lassen Sie den in den Tank gelangten Kraftstoff aus dem Tank ab.
 - 4) Setzen Sie den Filter wieder in den Kraftstofftank ein und ziehen Sie den Tankdeckel sicher fest.
 - 5) Betreiben Sie die Maschine, bis sie stehenbleibt.
- Schrauben Sie die Zündkerze heraus, und geben Sie einige wenige Tropfen Öl in die Zündkerzenöffnung.
- Ziehen Sie anschließend den Startergriff leicht, sodass das Öl über die Innenseite des Zylinders verteilt wird, und schrauben Sie dann die Zündkerze wieder ein.
- Bringen Sie die Abdeckung am Metallblatt an.
- Lagern Sie das Gerät grundsätzlich in waagerechter Position. Ist dies nicht möglich, platzieren Sie das Gerät so, dass sich der Motorblock unter dem Schneidwerkzeug befindet. Andernfalls kann Öl aus dem Inneren des Motors austreten.
- Bewahren Sie den abgelassenen Kraftstoff in einem zugelassenen Behälter an einem gut belüfteten und schattigen Ort auf.



Position	Betriebsdauer								
		Vor Betrieb	Nach dem Betanken	Täglich (10 h)	30 h	50 h	200 h oder 1 Jahr, was immer zuerst eintritt	Vor dem Lagern	Siehe Seite
Festziehen von Bauteilen (Schraube, Mutter)	Inspizieren	○							62
Kraftstofftank	Reinigen	○							—
	Kraftstoff ablassen							○*2	62
Gashebel	Funktion überprüfen		○						—
Stoppschalter	Funktion überprüfen		○						60
Schneidwerkzeug	Inspizieren	○		○					52
Leerlaufdrehzahl	Inspizieren/ Einstellen			○					57
Luftfilter	Reinigen			○					60
Zündkerze	Inspizieren			○					61
Kühlluftdurchgänge und Zylinderrippen	Reinigen/ Inspizieren			○					62
Kraftstoffleitung	Inspizieren			○					62
	Wechseln						◎*1		—
Schmierfett Getriebegehäuse	Nachfüllen				○				61
Schalldämpfer	Öffnung inspizieren/ reinigen				○				—
Kraftstofffilter	Reinigen/ Ersetzen					○			61
Vergaser	Kraftstoff ablassen							○*2	62

*1 Wenden Sie sich für eine Inspektion nach 200 Betriebsstunden an ein autorisiertes Servicezentrum oder an eine autorisierte Werkstatt.

*2 Setzen Sie nach dem Leeren des Kraftstofftanks den Betrieb des Motors fort, damit der Vergaser geleert wird.

FEHLERBEHEBUNG

Überprüfen Sie ein Problem selbst, bevor Sie eine Reparatur in Auftrag geben. Falls eine Anomalität auftritt, kontrollieren Sie die Maschine anhand der Beschreibung in diesem Handbuch. Gebrauchen Sie das Gerät und seine Bauteile niemals zweckentfremdet, setzen Sie keine Bauteile außer Funktion und demontieren Sie Teile ausschließlich wie in dieser Anleitung erläutert. Wenden Sie sich zwecks Reparaturen an ein autorisiertes Servicezentrum oder einen Händler vor Ort.

Anomalität	Mögliche Ursache (Fehlfunktion)	Abhilfe
Motor startet nicht.	EIN/AUS-Schalter ist auf STOP eingestellt.	Stellen Sie den EIN/AUS-Schalter auf START.
	Anlasseinspritzpumpe nicht betätigt.	Drücken Sie 7 bis 10 Mal.
	Starterseil wird zu langsam gezogen.	Ziehen Sie kräftig.
	Kraftstoffmangel.	Führen Sie Kraftstoff zu.
	Falsche Choke-Stellung.	Auf „CLOSE“ (geschlossen) stellen (Kaltstart). Auf „OPEN“ (geöffnet) stellen (Warmstart).
	Verstopfter Kraftstofffilter.	Ersetzen.
	Verbogene oder blockierte Kraftstoffleitung.	Kraftstoffleitung ausrichten oder ersetzen.
	Überalterter Kraftstoff.	Überalterter Kraftstoff erschwert das Starten. Ersetzen Sie den Kraftstoff durch neuen. (Empfohlenes Austauschintervall: 1 Monat)
	Übermäßige Kraftstoffansaugung.	Stellen Sie den Gashebel von mittlerer Drehzahl auf hohe Drehzahl ein und ziehen Sie den Startergriff, bis der Motor startet. Nach dem Start des Motors beginnt das Schneidwerkzeug zu drehen. Achten Sie besonders aufmerksam auf das Schneidwerkzeug. Falls der Motor nicht startet, schrauben Sie die Zündkerze heraus, trocknen Sie die Elektrode und schrauben Sie die Zündkerze wieder ein. Starten Sie dann den Motor wie erläutert.
	Zündkerzenstecker gelöst.	Fest anbringen.
	Verschmutzte Zündkerze.	Reinigen.
	Anomaler Abstand der Zündkerzenelektroden.	Stellen Sie den Abstand ein.
	Andere Anomalität der Zündkerze.	Ersetzen.
	Anomalie beim Vergaser.	Fordern Sie eine Inspektion und Wartung an.
	Starterseil lässt sich nicht ziehen, oder es ist keine Komprimierung spürbar.	Fordern Sie eine Inspektion und Wartung an.
Anomales Antriebs-/Elektriksystem. (Störung im EIN/AUS-Schalter, Fehler in der Verdrahtung, Störung in einem Steckverbinder usw.)	Fordern Sie eine Inspektion und Wartung an.	
Motor geht gleich wieder aus. Motordrehzahl erhöht sich nicht.	Unzureichendes Aufwärmen.	Führen Sie einen Aufwärmbetrieb durch.
	Choke-Hebel ist auf „CLOSE“ (GESCHLOSSEN) eingestellt, obwohl der Motor vorgewärmt wurde.	Stellen Sie den Hebel auf „OPEN“ (OFFEN) ein.
	Niedrige Leerlaufdrehzahl.	Stellen Sie die Leerlaufdrehzahl richtig ein.
	Verstopfter Kraftstofffilter.	Ersetzen.
	Verschmutzter oder verstopfter Luftfilter.	Reinigen oder Ersetzen.
	Anomalie beim Vergaser.	Fordern Sie eine Inspektion und Wartung an.
	Störung im Abgasschalldämpfer. (Verstopft usw.)	Fordern Sie eine Inspektion und Wartung an.
	Anomales Antriebs-/Elektriksystem.	Fordern Sie eine Inspektion und Wartung an.
Metallschneidblatt dreht sich nicht.	Lose Metallschneidblatt-Befestigungsmutter.	Fest anziehen.
↓		
Motor sofort stoppen!	Im Metallblatt oder in der Schutzabdeckung haben sich Zweige o. Ä. verfangen.	Entfernen der Fremdkörper.
	Anomales Antriebssystem.	Fordern Sie eine Inspektion und Wartung an.
Hauptblock vibriert abnormal.	Gebrochenes, verbogenes oder abgenutztes Metallschneidblatt.	Metallschneidblatt ersetzen.
↓		
Motor sofort stoppen!	Lose Metallschneidblatt-Befestigungsmutter.	Fest anziehen.
	Verschobenes Konvexelement des Metallblatts und der Stütze des Metallblatts.	Fest anbringen.
	Anomales Antriebssystem.	Fordern Sie eine Inspektion und Wartung an.
Metallschneidblatt stoppt nicht sofort.	Hohe Leerlaufdrehzahl.	Stellen Sie die Leerlaufdrehzahl richtig ein.
↓		
Motor sofort stoppen!	Gaszug hat sich gelöst.	Fest anbringen.
	Anomales Antriebssystem.	Fordern Sie eine Inspektion und Wartung an.
Motor stoppt nicht	Steckverbinder hat sich gelöst.	Fest anbringen.
↓		
Betreiben Sie den Motor im Leerlauf und stellen Sie den Choke-Hebel auf CLOSE (GESCHLOSSEN).	Anomales Elektriksystem.	Fordern Sie eine Inspektion und Wartung an.

- Wenn der Motor nach dem Aufwärmen nicht startet:
Falls bei den überprüften Elementen keine Anomalität zu finden ist, bringen Sie den Gashebel auf 1/3 und starten Sie den Motor.
- Falls Anomalitäten auftreten, die nicht in dieser Tabelle erfasst sind, wenden Sie sich bitte an ein autorisiertes Servicezentrum.

Grazie per aver acquistato questo utensile DOLMAR per l'uso all'aperto. Siamo lieti di consigliare questo prodotto DOLMAR, risultato di un lungo programma di sviluppo e di molti anni di esperienza e conoscenza.

Si prega di leggere le varie sezioni del presente opuscolo per comprendere in dettaglio le eccellenti prestazioni dell'utensile e utilizzare il prodotto DOLMAR con risultati ottimali.



Sommario	Pagina
Simboli.....	65
Istruzioni per la sicurezza.....	66
Dati tecnici.....	70
Denominazione dei componenti.....	71
Montaggio dell'impugnatura.....	72
Montaggio del dispositivo di protezione.....	73
Montaggio dell'utensile da taglio.....	74
Carburanti e rifornimento.....	75
Gestione corretta dell'utensile.....	76
Informazioni utili sul funzionamento e sull'arresto.....	77
Affilatura dell'utensile da taglio.....	78
Istruzioni per la manutenzione.....	81
Stoccaggio.....	83
Risoluzione dei problemi.....	85

SIMBOLI

Nelle presenti istruzioni per l'uso vengono utilizzati i seguenti simboli.

	Leggere il manuale di istruzioni e attenersi alle avvertenze e alle precauzioni per la sicurezza!		Allontanare persone e animali dall'area di lavoro!
	Prestare particolare cura e attenzione!		Indossare il casco di protezione e i dispositivi di protezione per occhi e orecchie!
	Vietato!		Velocità massima dell'utensile consentita
	Mantenere la distanza di sicurezza!		Miscela di olio e carburante
	Pericolo di oggetti volanti!		Avviamento manuale del motore
	Contraccolpo!		Arresto di emergenza
	Vietato fumare!		Pronto soccorso
	Vietato usare fiamme libere!		ON/AVVIAMENTO
	Indossare i guanti di protezione!		OFF/ARRESTO
	Indossare calzature pesanti con suola antiscivolo. Si consigliano scarpe antinfortunistica con punta rinforzata!		POSIZIONE DI BLOCCO DELL'ACCELERATORE

ISTRUZIONI PER LA SICUREZZA

Istruzioni generali

- Leggere il presente manuale di istruzioni per acquisire familiarità con l'utensile. Eventuali lacune possono favorire un uso improprio dell'utensile, mettendo in pericolo l'operatore e altre persone.
- Si consiglia di concedere in prestito l'utensile solo a persone con provata esperienza.
Consegnare sempre anche il manuale di istruzioni.
- Gli utilizzatori alle prime armi sono tenuti a richiedere le istruzioni di base al rivenditore per familiarizzarsi con l'uso di un decespugliatore.
- L'uso del prodotto non deve essere consentito ai bambini o comunque a persone di età inferiore ai 18 anni. Le persone al di sopra dei 16 anni possono tuttavia utilizzare il dispositivo per fare pratica, sempre sotto la supervisione di un istruttore qualificato.
- Utilizzare con la massima cura e attenzione.
- Utilizzare solo se si è in buone condizioni fisiche. Eseguire il lavoro con calma e attenzione. L'operatore si assume la responsabilità anche delle altre persone.
- Non utilizzare il decespugliatore dopo l'assunzione di alcol o droghe oppure se ci si sente stanchi o indisposti.
- L'uso dell'utensile può essere sottoposto a restrizioni dalla regolamentazione nazionale.

Uso previsto dell'utensile

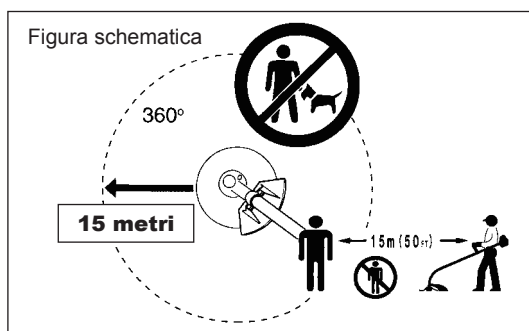
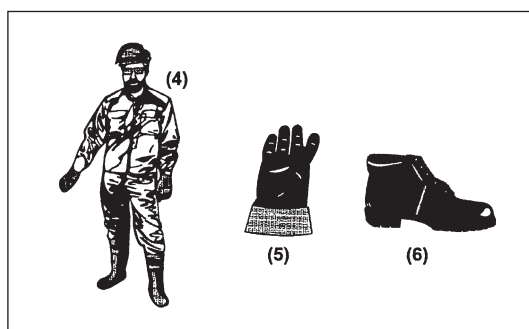
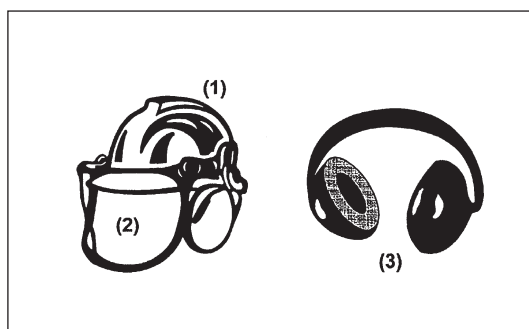
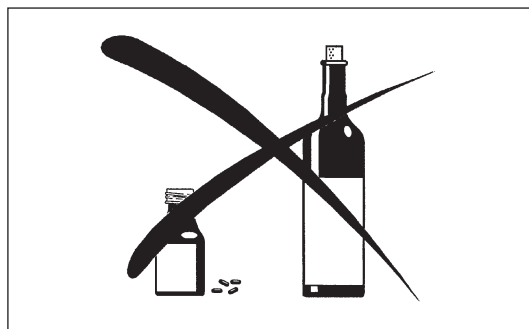
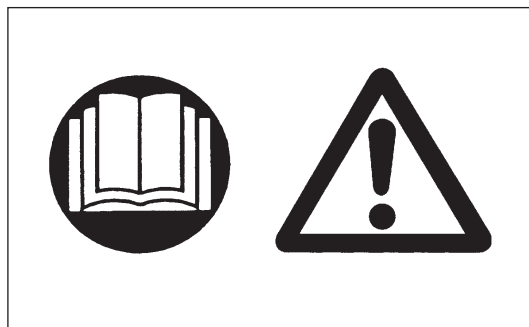
- L'utensile è destinato esclusivamente al taglio di erba, erbacce, cespugli e sottobosco. Non deve essere usato per qualunque altro scopo, come la bordatura o la potatura di siepi; in caso contrario, possono verificarsi lesioni.

Dispositivi di protezione personale

- L'abbigliamento indossato deve essere funzionale e adeguato, ovvero aderente ma senza causare impedimenti. Non indossare gioielli o abiti che potrebbero rimanere impigliati in cespugli o arbusti.
- Per evitare lesioni a testa, occhi, mani o piedi e per proteggere l'udito è indispensabile indossare i seguenti dispositivi e indumenti di protezione durante l'uso.
- Indossare sempre un casco se vi è il rischio di caduta di oggetti. Il casco di protezione (1) deve essere controllato periodicamente per verificare la presenza di eventuali danni e deve essere sostituito almeno ogni 5 anni. Utilizzare solo caschi di protezione omologati.
- La visiera (2) del casco (o gli occhiali di protezione) protegge il volto da detriti e sassi volanti. Per evitare danni alla vista è fondamentale indossare sempre gli occhiali di protezione o una visiera durante l'uso.
- Indossare dispositivi di protezione acustica adeguati per evitare danni all'udito (cuffie isolanti (3), tappi per le orecchie e così via).
- La tuta da lavoro integrale (4) protegge da pietre e detriti volanti. Si consiglia vivamente di indossare una tuta da lavoro integrale.
- I guanti (5) sono parte dell'equipaggiamento prescritto e devono sempre essere indossati durante l'uso.
- Durante l'uso del prodotto, indossare sempre calzature pesanti (6) con suola antiscivolo per prevenire gli infortuni e garantire una corretta stabilità.

Avvio del decespugliatore

- Assicurarsi che non siano presenti bambini o altre persone in un raggio di 15 metri; prestare inoltre attenzione alla presenza di animali nelle vicinanze dell'area di lavoro.
- Prima dell'uso verificare sempre che l'utensile non presenti fattori di rischio per il lavoro:
Verificare la sicurezza dell'utensile da taglio, il facile azionamento della leva dell'acceleratore e il corretto funzionamento della sicura.
- L'utensile da taglio non deve ruotare quando il motore è al minimo. In caso di dubbi, rivolgersi al rivenditore per la regolazione. Controllare che le impugnature siano pulite e asciutte e verificare la funzionalità dell'interruttore di avviamento e arresto.

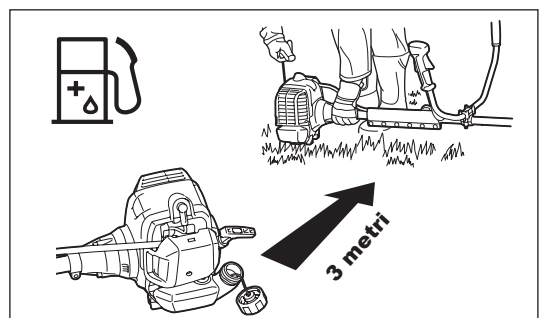
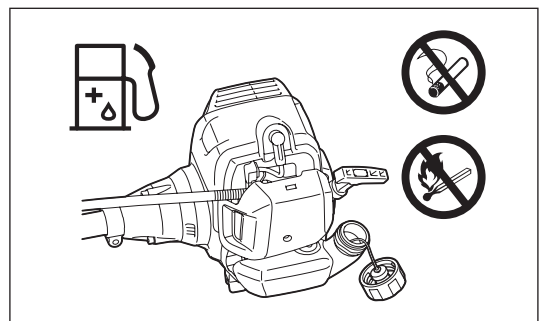
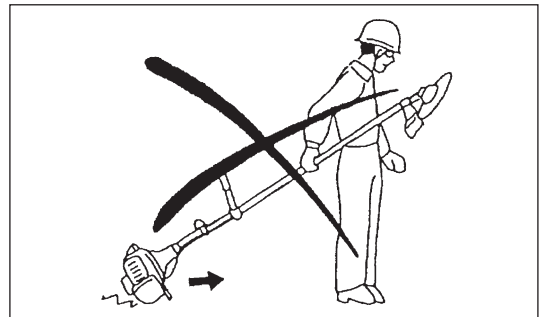
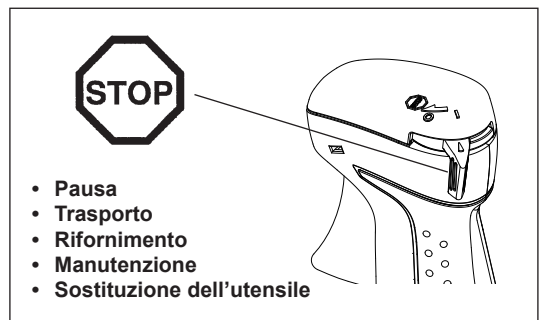
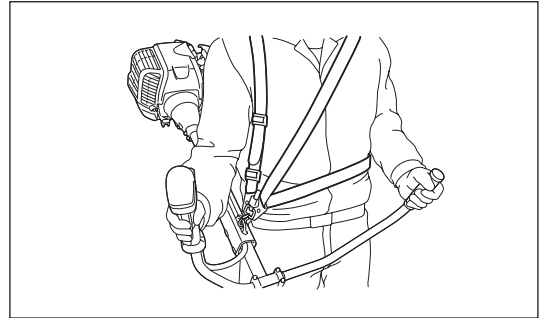
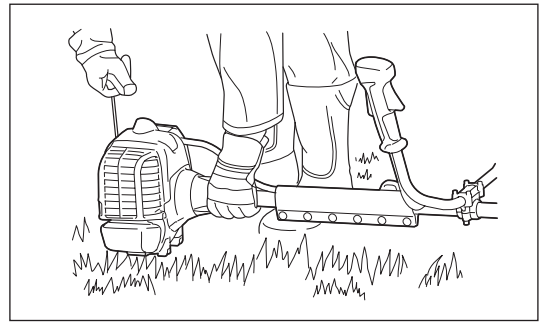


Avviare il decespugliatore solo in base alla procedura riportata nelle istruzioni.

- Non avviare il motore con altri sistemi.
- Utilizzare il decespugliatore e gli utensili solo per le operazioni specificate.
- Avviare il motore solo quando l'utensile è stato completamente montato. Il funzionamento del dispositivo è consentito solo dopo il montaggio di tutti gli accessori appropriati.
- Prima dell'avviamento assicurarsi che l'utensile da taglio non sia a contatto con oggetti rigidi come rami, pietre e così via, poiché all'avvio l'utensile inizierà a ruotare.
- Se il motore presenta un problema, spegnerlo immediatamente.
- Nel caso in cui l'utensile da taglio colpisca pietre o altri oggetti rigidi, è necessario spegnere immediatamente il motore e ispezionare l'utensile.
- Controllare l'utensile da taglio a intervalli regolari per verificare la presenza di danni (rilevare eventuali crepe picchiando delicatamente).
- Se l'utensile cade o subisce un impatto violento, verificarne le condizioni prima di proseguire il lavoro. Verificare che l'impianto di alimentazione del carburante sia privo di perdite e che i dispositivi di sicurezza funzionino correttamente. In caso di danni o dubbi, richiedere l'ispezione e la riparazione presso il nostro centro di assistenza autorizzato.
- Prima di utilizzare il decespugliatore, indossare sempre la cintura a spalla agganciata all'utensile, regolandola in maniera adeguata. È fondamentale regolare la cintura a spalla in base alla corporatura dell'operatore per prevenire l'affaticamento durante l'uso. Non tenere il decespugliatore con una mano sola durante l'uso.
- Reggere sempre il decespugliatore con entrambe le mani durante l'uso. Assicurarsi sempre di avere una buona presa a terra.
- Utilizzare il prodotto in modo tale da evitare l'inalazione dei gas di scarico. Non azionare il motore in ambienti chiusi (pericolo di avvelenamento da gas). Il monossido di carbonio è un gas inodore.
- Spegnerlo il motore durante le pause o quando si lascia incustodito l'utensile, riponendolo in un luogo sicuro per impedire lesioni ad altre persone o danni all'utensile.
- Non appoggiare il decespugliatore surriscaldato nell'erba secca o su materiali infiammabili.
- Installare sempre la guardia dell'utensile da taglio approvata sull'utensile stesso prima di avviare il motore.
- In caso contrario, il contatto con l'utensile da taglio può provocare gravi lesioni personali.
- Utilizzare tutti i dispositivi di protezione in dotazione con il prodotto durante l'uso.
- Non avviare il motore se la marmitta di scarico è difettosa.
- Spegnerlo il motore durante il trasporto.
- Durante il trasporto dell'utensile, applicare sempre il coperchio alla lame in metallo.
- Verificare che l'utensile rimanga in una posizione sicura durante il trasporto in auto, onde evitare perdite di carburante.
- Durante il trasporto, assicurarsi che il serbatoio del carburante sia completamente vuoto.
- Durante lo scarico dell'utensile da un autocarro, non far cadere a terra il motore onde evitare gravi danni al serbatoio del carburante.
- Tranne che in caso di emergenza, non far cadere o gettare l'utensile a terra onde evitare di danneggiare gravemente l'utensile stesso.
- Per spostare l'utensile è necessario sollevarlo sempre completamente da terra. Il trascinarsi del serbatoio è molto pericoloso e può causare danni o perdite di carburante, con conseguente pericolo di incendio.
- Evitare il contatto con la marmitta di scarico, che diventa molto calda durante l'uso.
- Non utilizzare il motore in atmosfere esplosive, ad esempio in presenza di liquidi, gas o polveri infiammabili. Il motore produce scintille che possono incendiare polvere o fumi.

Rifornimento

- Durante il rifornimento spegnere il motore, tenersi lontani da fiamme libere e non fumare.
- Evitare il contatto epidermico con prodotti a base di oli minerali. Non inalare i vapori del carburante. Durante il rifornimento indossare sempre i guanti di protezione. Sostituire e pulire regolarmente gli indumenti di protezione.
- Prestare attenzione a non lasciar fuoriuscire il carburante o l'olio onde evitare la contaminazione del terreno (protezione dell'ambiente). Pulire il decespugliatore subito dopo una fuoriuscita di carburante.
- Evitare il contatto del carburante con i capi di vestiario. Cambiarsi immediatamente in caso di contatto con il carburante (per evitare che gli abiti prendano fuoco).
- Controllare regolarmente il tappo del serbatoio del carburante per assicurarsi che sia stretto correttamente e che non presenti perdite.
- Stringere con cura il tappo del serbatoio del carburante. Cambiare luogo per avviare il motore (almeno 3 metri dal punto di rifornimento).
- Non effettuare il rifornimento in ambienti chiusi. I vapori del carburante si accumulano a livello del terreno (pericolo di esplosioni).
- Trasportare e conservare il carburante solo in contenitori omologati. Assicurarsi di riporre il carburante in un punto non accessibile ai bambini.



Modalità di funzionamento

- Utilizzare il prodotto solo in buone condizioni di luce e visibilità. Durante la stagione invernale prestare attenzione alle aree scivolose o umide, al ghiaccio e alla neve (pericolo di scivolamento). Assicurarsi sempre di avere una buona presa a terra.
- Non eseguire tagli a un'altezza superiore a quella della vita.
- Non utilizzare il prodotto da una scala.
- Non arrampicarsi sugli alberi per eseguire operazioni di taglio.
- Non lavorare su superfici instabili.
- Rimuovere sabbia, pietre, chiodi, ecc. dall'area di lavoro.
- I corpi estranei potrebbero danneggiare l'utensile da taglio e causare pericolosi contraccolpi.
- Prima di iniziare il taglio, è necessario che l'utensile abbia raggiunto la piena velocità operativa.
- Quando si utilizzano lame in metallo, muovere delicatamente l'utensile in semicerchi da destra verso sinistra, come se fosse una falce. Se erba o sterpaglie restano impigliate tra l'utensile da taglio e la guardia, arrestare sempre il motore prima di effettuare la pulizia. In caso contrario, una rotazione involontaria della lama può causare gravi lesioni personali.
- Riposarsi spesso per evitare la perdita di controllo causata dall'affaticamento. Si consiglia di fare una pausa di 10-20 minuti ogni ora.

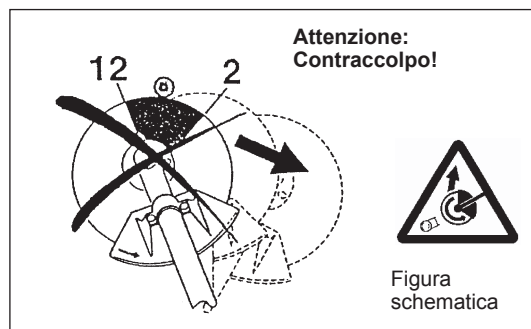


Utensili da taglio

- Servirsi dell'utensile da taglio idoneo per il lavoro da compiere. Le testine da taglio in nylon (testine del decespugliatore) sono indicate per tagliare l'erba del prato. Le lame in metallo sono indicate per il taglio di erbacce, erba alta, cespugli, arbusti, sottobosco, fratte, e simili. Non utilizzare altri tipi di lama, comprese catene metalliche componibili con perno e lame con flagelli. In caso contrario potrebbero verificarsi gravi infortuni.
- Durante l'uso di lame in metallo, evitare i contraccolpi e prepararsi sempre a un contraccolpo accidentale. Consultare la sezione "Contraccolpo".

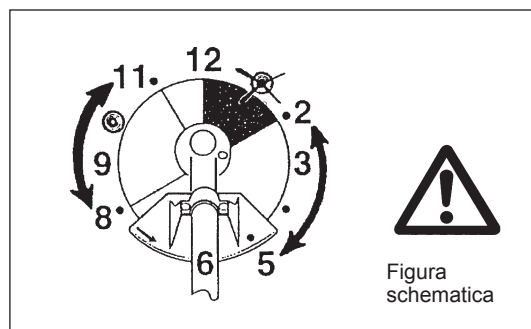
Contraccolpo (colpo di lama)

- Il contraccolpo (colpo di lama) è una reazione improvvisa a una lama in metallo incastrata o bloccata. Al verificarsi di tale reazione, l'utensile viene deviato con forza di lato o contro l'operatore. Ciò potrebbe causare gravi lesioni.
- In particolare, il contraccolpo si verifica durante l'applicazione di un segmento di lama compreso tra le ore 12 - 2 a oggetti solidi, cespugli e alberi con un diametro di 3 cm o superiore.
- Per evitare contraccolpi:
 - Applicare il segmento tra le ore 8 - 11;
 - Non applicare il segmento tra le ore 12 - 2;
 - Non applicare il segmento tra le ore 11 - 12 e tra le ore 2 - 5, a meno che l'operatore sia esperto e ben addestrato e lo faccia a proprio rischio e pericolo;
 - Non usare le lame in metallo vicino a oggetti solidi come recinzioni, muri, tronchi e pietre;
 - Non usare le lame in metallo verticalmente, per operazioni come bordatura e taglio di siepi.



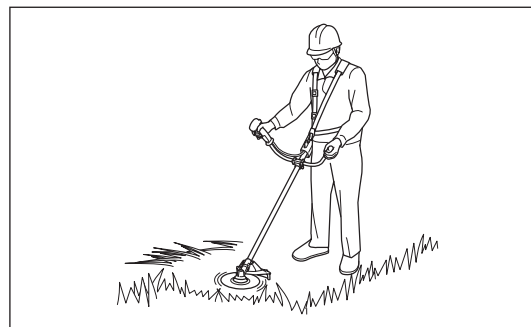
Vibrazione

- Se esposti a vibrazioni eccessive, gli operatori che soffrono di insufficienza venosa possono riportare danni ai vasi sanguigni o al sistema nervoso. Le vibrazioni possono causare i seguenti sintomi alle dita, alle mani o ai polsi: sonnolenza (torpore), formicolio, dolore, fitte acute, alterazione della pelle o del colorito. Consultare un medico non appena si manifestano tali sintomi.
- Per ridurre il rischio di "sindrome delle dita bianche da vibrazione", tenere le mani al caldo durante l'uso dell'utensile e mantenere l'utensile e gli accessori in buone condizioni.



Istruzioni per la manutenzione

- Per l'assistenza, rivolgersi al nostro centro servizi autorizzato utilizzando solo parti di ricambio originali. Una riparazione errata o una manutenzione insufficiente possono accorciare la vita utile dell'utensile, aumentando il rischio di incidenti.
- Prima di iniziare il lavoro, verificare le condizioni del dispositivo, in particolare dell'utensile da taglio, dei dispositivi di protezione e della cintura a spalla. Prestare particolare attenzione alle lame in metallo, che dovranno essere adeguatamente affilate.
- Spegnerne il motore e staccare il connettore della candela per sostituire, affilare o pulire gli utensili da taglio.



Non raddrizzare né saldare gli utensili da taglio danneggiati.

- Prestare attenzione all'ambiente. Evitare di azionare inutilmente l'acceleratore al fine di ridurre l'inquinamento e le emissioni acustiche. Regolare correttamente il carburatore.
- Pulire regolarmente l'utensile e controllare che tutte le viti e i dadi siano correttamente serrati.
- Non eseguire la manutenzione e non conservare l'utensile in prossimità di fiamme libere.
- Conservare sempre l'utensile in ambienti chiusi a chiave e con il serbatoio del carburante svuotato.
- Durante la pulizia, il funzionamento e lo stoccaggio dell'utensile, applicare sempre il coperchio alla lama in metallo.



Rispettare le istruzioni di prevenzione degli incidenti fornite dalle associazioni di categoria e dalle compagnie di assicurazioni. Non apportare modifiche all'utensile onde evitare di mettere a repentaglio la propria sicurezza.

Le attività di manutenzione o riparazione a carico dell'operatore sono limitate a quelle descritte nel presente manuale di istruzioni. Qualsiasi altra operazione deve essere eseguita da un rappresentante autorizzato dell'assistenza. Utilizzare esclusivamente ricambi e accessori originali rilasciati e forniti da DOLMAR.

L'uso di accessori e utensili non approvati può aumentare il pericolo di incidenti.

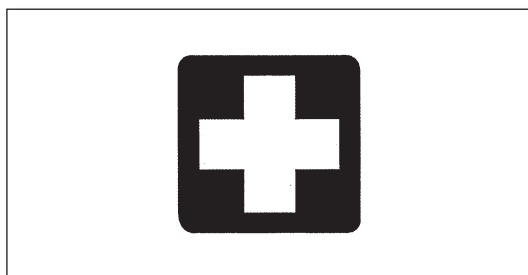
DOLMAR declina ogni responsabilità per danni o incidenti causati dall'uso di utensili da taglio, dispositivi di fissaggio di utensili da taglio o accessori non approvati.

Primo soccorso

Assicurarsi che nelle vicinanze dell'area di lavoro sia disponibile una cassetta di primo soccorso, in caso di infortuni. Sostituire immediatamente qualunque oggetto prelevato dalla cassetta di primo soccorso.

Nel momento in cui si richiede assistenza, fornire le seguenti informazioni:

- Luogo dell'incidente
- Che cosa è accaduto
- Numero delle persone ferite
- Tipo di ferite
- Nome e cognome



Solo per i paesi europei

Dichiarazione di conformità CE

Makita dichiara che le macchine seguenti:

Denominazione dell'utensile: Decespugliatore a benzina

N. modello/Tipo: MS-34 U, MS-34 C

Sono conformi alle seguenti direttive europee:

2000/14/EC, 2006/42/EC

Sono prodotte in conformità agli standard o ai documenti standardizzati riportati di seguito:

EN ISO 11806-1

Il documento tecnico ai sensi della Direttiva europea 2006/42/EC è disponibile presso:

Makita, Jan-Baptist Vinkstraat 2, 3070, Belgio

La procedura di valutazione della conformità richiesta dalla Direttiva 2000/14/EC è stata effettuata secondo quanto specificato nell'allegato V.

MS-34 U (con testina da taglio in nylon):

Livello di potenza sonora misurato: 109,1 dB

Livello di potenza sonora garantito: 110 dB

MS-34 U (con lama da taglio):

Livello di potenza sonora misurato: 105,8 dB

Livello di potenza sonora garantito: 106 dB

MS-34 C (con testina da taglio in nylon):

Livello di potenza sonora misurato: 110,4 dB

Livello di potenza sonora garantito: 112 dB

MS-34 C (con lama da taglio):

Livello di potenza sonora misurato: 105,9 dB

Livello di potenza sonora garantito: 107 dB

6. 6. 2014

Handwritten signature of Yasushi Fukaya.

Yasushi Fukaya
Direttore

Makita, Jan-Baptist Vinkstraat 2, 3070, Belgio

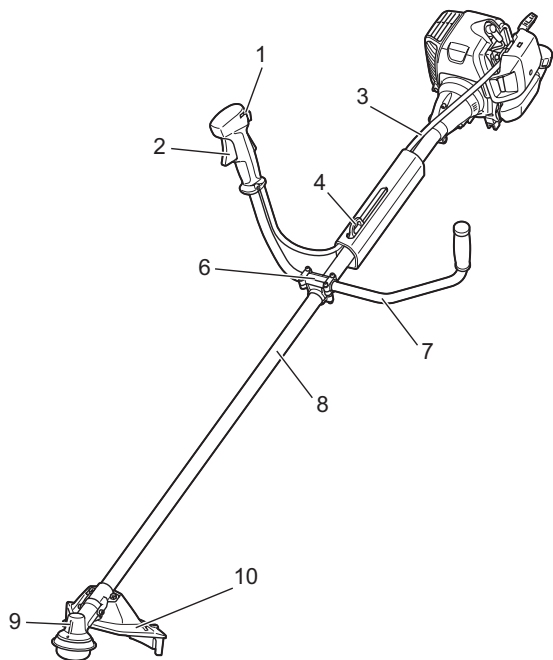
DATI TECNICI

Modello			MS-34 U	MS-34 C			
Tipo di impugnatura			Manubrio		Impugnatura ad anello		
Dimensioni: lunghezza × larghezza × altezza (senza utensile da taglio)			mm	1.815 x 650 x 435		1.815 x 330 x 270	
Peso (senza protezione dell'utensile da taglio e senza utensile da taglio)			kg	6,4		6,2	
Volume (serbatoio del carburante)			l	0,75			
Cilindrata del motore			cm ³	34,0			
Prestazioni massime del motore			kW	1,15 a 7.000 min ⁻¹			
Regime del motore alla velocità massima consigliata del mandrino			min ⁻¹	10.000			
Velocità massima del mandrino (corrispondente)			min ⁻¹	6.800			
Velocità al minimo			min ⁻¹	2.800			
Velocità di innesto della frizione			min ⁻¹	4.100			
Carburatore			tipo	WALBLO WYJ			
Candela			tipo	NGK BPMR7A			
Distanza tra gli elettrodi			mm	0,6 - 0,7			
				TESTINA DA TAGLIO IN NYLON	LAMA IN METALLO	TESTINA DA TAGLIO IN NYLON	LAMA IN METALLO
Vibrazioni secondo ISO 22867	Impugnatura destra (impugnatura posteriore)	a _{hv eq}	m/s ²	4,1	4,0	4,6	4,3
		Variazione K	m/s ²	1,0	0,5	2,0	1,0
	Impugnatura sinistra (impugnatura anteriore)	a _{hv eq}	m/s ²	4,4	4,3	5,5	5,4
		Variazione K	m/s ²	1,8	1,2	1,4	1,0
Livello medio di pressione sonora secondo ISO 22868		L _{PA eq}	dB(A)	95,0	92,7	95,9	91,3
		Variazione K	dB(A)	2,5	0,7	1,0	1,1
Livello medio di potenza sonora secondo ISO 22868		L _{WA eq}	dB(A)	109,1	105,8	110,4	105,9
		Variazione K	dB(A)	1,0	0,4	1,6	0,8
Rapporto di miscelazione (carburante: olio per motore a due tempi DOLMAR)				50 : 1			
Utensili da taglio (diametro lama da taglio)			mm	255 (con lama a 4 denti)			
Rapporto di trasmissione				13/19			

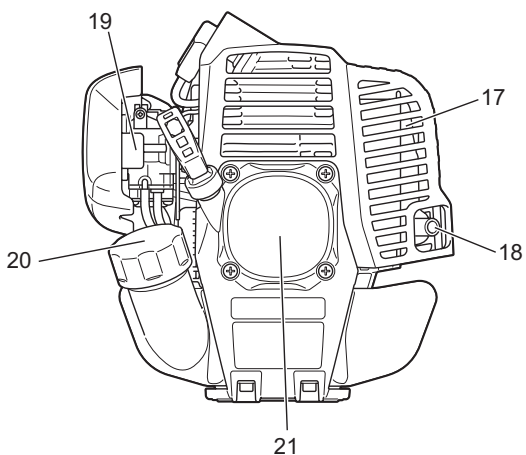
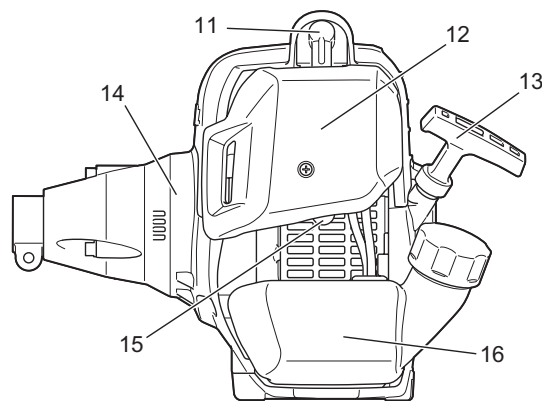
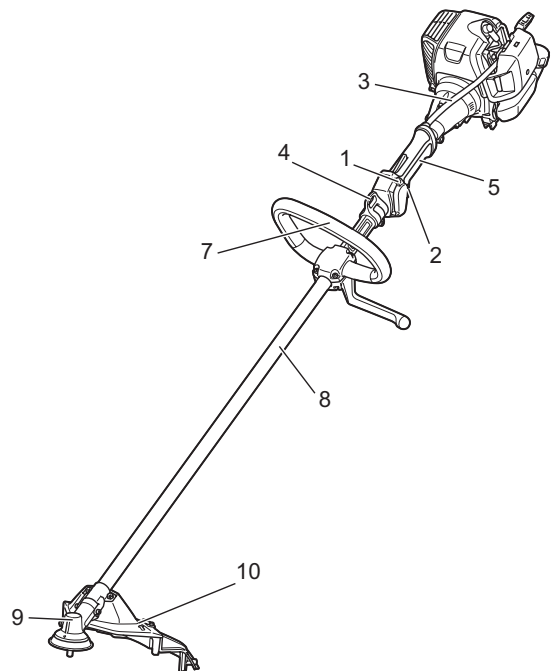
- Le caratteristiche tecniche riportate di seguito sono soggette a modifiche senza preavviso in virtù del nostro programma continuo di ricerca e sviluppo.
- Le caratteristiche tecniche possono differire da paese a paese.

DENOMINAZIONE DEI COMPONENTI

MS-34 U



MS-34 C



DENOMINAZIONE DEI COMPONENTI	
1	Interruttore di accensione (on/off)
2	Leva dell'acceleratore
3	Cavo di comando
4	Staffa
5	Impugnatura posteriore
6	Supporto dell'impugnatura
7	Impugnatura
8	Albero
9	Scatola degli ingranaggi
10	Dispositivo di protezione (protezione dell'utensile da taglio)
11	Candela
12	Filtro dell'aria
13	Manopola di avviamento
14	Scatola della frizione
15	Pompa di adescamento
16	Serbatoio del carburante
17	Marmitta di scarico
18	Tubo di scarico
19	Leva del dispositivo di avviamento
20	Tappo del serbatoio del carburante
21	Avviamento a corda

MONTAGGIO DELL'IMPUGNATURA

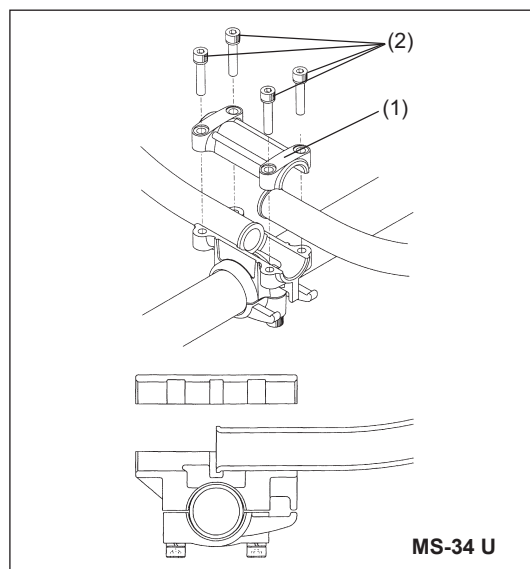
ATTENZIONE: Prima di effettuare qualsiasi intervento sull'utensile, spegnere il motore e staccare il connettore della candela.

Indossare sempre i guanti protettivi.

ATTENZIONE: Avviare il motore solo dopo averne completato il montaggio.

Per i modelli con manubrio

- Posizionare l'impugnatura con la leva dell'acceleratore sul supporto dell'impugnatura sul lato destro (da tenere con la mano destra) e l'altra sul lato sinistro.
- Inserire il bordo dell'impugnatura nella scanalatura del supporto dell'impugnatura e fissare provvisoriamente il lato superiore (1) del supporto dell'impugnatura con quattro bulloni M5 x 25 (2).
- Regolare l'impugnatura a un'angolazione che consenta una facile manipolazione, quindi serrare uniformemente il bullone (2) sui lati destro e sinistro.



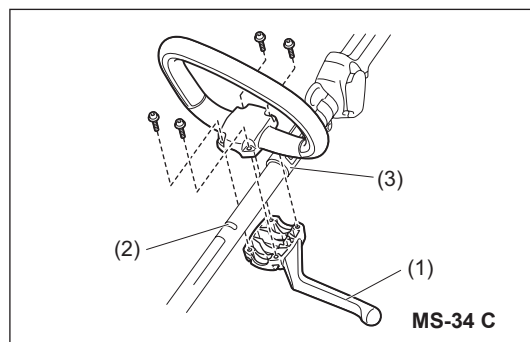
Per i modelli con impugnatura ad anello

- Fissare una barriera (1) sul lato sinistro dell'utensile insieme all'impugnatura per proteggere l'operatore.
- Assicurarsi che il gruppo impugnatura/barriera sia montato tra il distanziatore e la freccia (2).

⚠ AVVERTENZA: Non rimuovere o accorciare il distanziatore (3). Il distanziatore mantiene una certa distanza tra le mani. Disporre l'impugnatura/barriera vicino all'altra impugnatura superando la lunghezza del distanziatore può far perdere il controllo dell'utensile e provocare gravi lesioni personali.

NOTA:

- In alcuni paesi il distanziatore non è incluso. In tal caso, montare il gruppo impugnatura/barriera tra i simboli delle frecce.

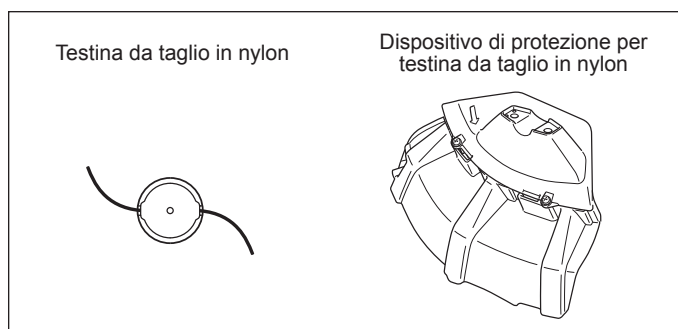
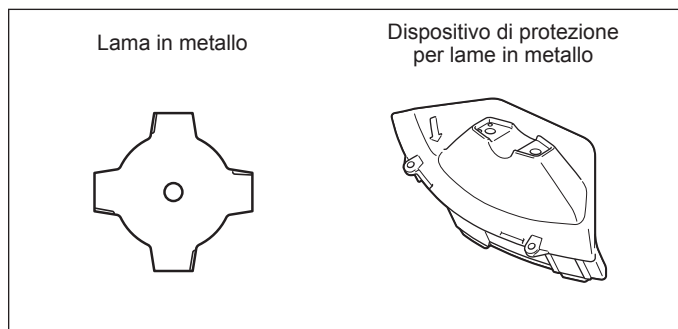


MONTAGGIO DEL DISPOSITIVO DI PROTEZIONE

Per rispettare le vigenti normative sulla sicurezza, usare esclusivamente le combinazioni utensile/protezione indicate nella tabella.

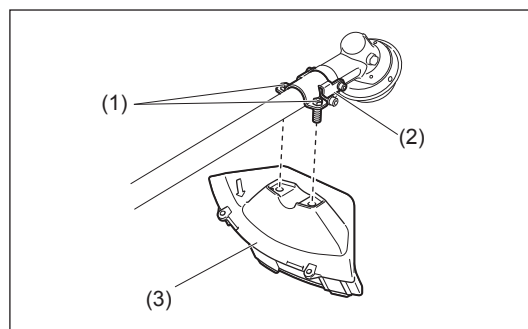
ATTENZIONE: Per la propria sicurezza e per adempiere alle norme sulla prevenzione degli infortuni, occorre che sia sempre installato il dispositivo di protezione adeguato.
Il funzionamento dell'utensile senza protezione non è consentito.

NOTA: La combinazione standard di utensili da taglio varia da paese a paese.



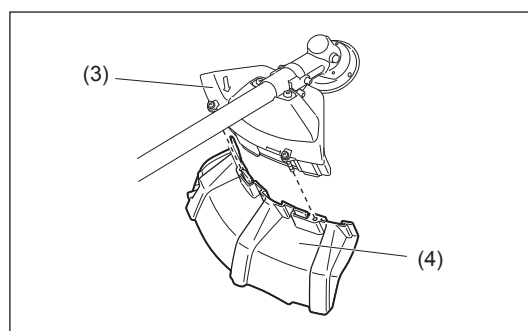
– Quando si utilizza la lama in metallo, fissare il dispositivo di protezione (3) al morsetto (2) con due bulloni (1).

NOTA: Serrare i bulloni destro e sinistro in maniera uniforme così da ottenere una distanza costante tra il morsetto (2) e il dispositivo di protezione (3).
Altrimenti, il dispositivo di protezione potrebbe non funzionare come specificato.



– Per l'uso del dispositivo da taglio del filo in nylon, montare il relativo dispositivo di protezione (4) sul dispositivo di protezione della lama in metallo (3).

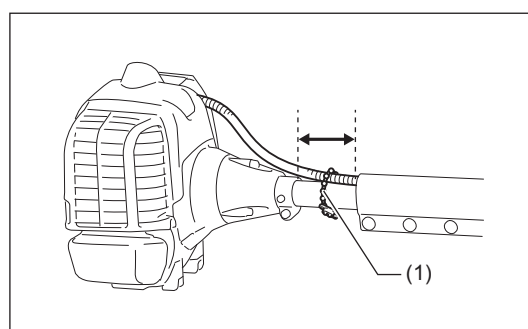
ATTENZIONE: Prestare attenzione a non ferirsi con il dispositivo da taglio del filo in nylon.



(Esclusivamente per il modello MS-34 U)

Applicazione del fermo

Fissare il cavo di comando all'albero applicando il fermo (1) nel punto indicato dalla figura.



MONTAGGIO DELL'UTENSILE DA TAGLIO

Utilizzare lame in metallo o testine da taglio in nylon originali DOLMAR.

- La lama in metallo deve essere pulita e priva di crepe o segni di rottura. Se durante l'uso la lama in metallo colpisce una pietra, spegnere il motore e controllare subito la lama.
- Pulire o sostituire la lama in metallo ogni tre ore di utilizzo.
- Se durante l'uso la testina da taglio in nylon colpisce un oggetto rigido, ad esempio una pietra, spegnere il motore e controllare subito la testina da taglio in nylon.

ATTENZIONE: Per la propria sicurezza e per adempiere alle norme sulla prevenzione degli infortuni, occorre che sia sempre installato il dispositivo di protezione adeguato.

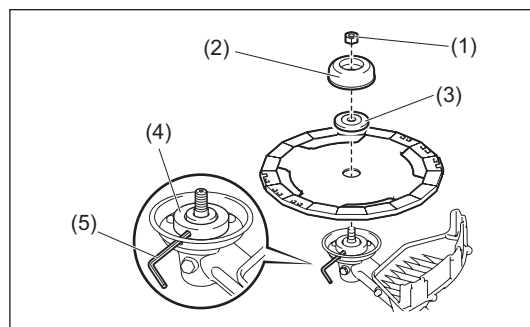
Il funzionamento dell'utensile senza protezione non è consentito.

Il diametro esterno della lama da taglio deve essere al massimo 255 mm (10"). Non utilizzare lame con diametro esterno superiore a 255 mm (10").

ATTENZIONE: Assicurarsi che l'utensile da taglio sia correttamente fissato prima dell'uso.

Capovolgere l'utensile per sostituire con facilità la lama in metallo o la testina da taglio in nylon.

- Inserire la chiave esagonale (5) nel foro della scatola degli ingranaggi e ruotare la rondella ricevente (4) finché non viene bloccata dalla chiave esagonale.
- Allentare il dado (1) (filettatura sinistrorsa) con la chiave a tubo e rimuovere il dado (1), la coppa (2) e la rondella del morsetto (3).



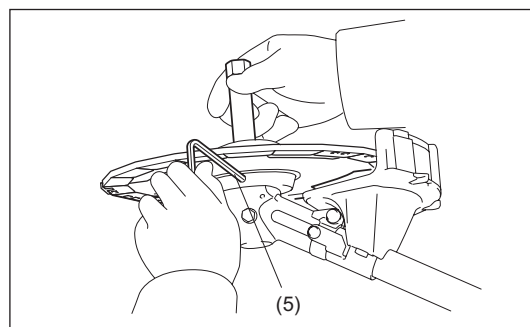
Montaggio della lama in metallo senza spostare la chiave esagonale (5)

- Montare la lama in metallo sull'albero in modo che la guida della rondella ricevente (4) si inserisca nel foro dell'albero sulla lama in metallo. Inserire la rondella del morsetto (3), la coppa (2) e fissare la lama in metallo con il dado (1).

[Coppia di serraggio: 13 - 23 N-m]

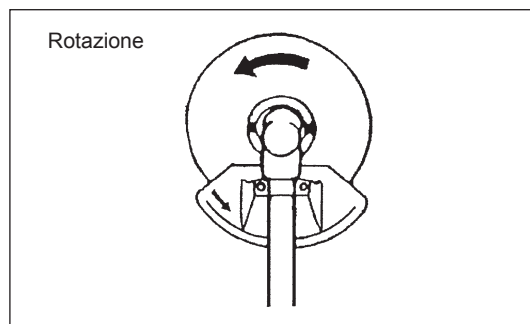
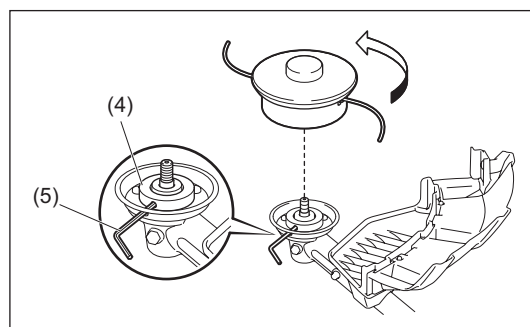
NOTA: Indossare sempre i guanti per maneggiare la lama in metallo.

NOTA: Il dado di serraggio della lama in metallo (con rondella elastica) è un materiale di consumo. Se si rilevano segni di usura o deformazione della rondella elastica, è opportuno sostituire il dado.



Montaggio della testina da taglio in nylon

- La rondella del morsetto (3), la coppa (2) e il dado (1) non sono necessari per montare la testina da taglio in nylon. La testina da taglio in nylon deve essere inserita sopra la rondella ricevente (4).
- Inserire la chiave esagonale (5) nel foro della scatola degli ingranaggi e ruotare la rondella ricevente (4) finché non viene bloccata dalla chiave esagonale.
- Avvitare quindi la testina da taglio in nylon sull'albero ruotandola in senso antiorario.
- Rimuovere la chiave esagonale (5).



Gestione dei prodotti a base di petrolio

Maneggiare il carburante con la massima cautela. Il carburante potrebbe contenere sostanze simili ai solventi. Eseguire il rifornimento in un'area ben ventilata o all'aperto. Non inalare i vapori del carburante ed evitare qualsiasi contatto della pelle con l'olio o il carburante.

I prodotti a base di olio minerale sgrassano la pelle. Un contatto ripetuto e prolungato della cute con queste sostanze potrebbe provocare varie malattie della pelle. È possibile anche il verificarsi di reazioni allergiche. Analogamente, gli occhi possono irritarsi se vengono a contatto con olio, carburante, ecc.

In caso di contatto dell'olio con gli occhi, lavarli immediatamente con acqua fresca. Se l'irritazione permane, consultare immediatamente un medico.



Osservare le istruzioni per la sicurezza a pagina 67.

Miscela di olio e carburante

Il decespugliatore è dotato di un motore a due tempi ad alta efficienza.

Utilizza una miscela di benzina e olio per motori a due tempi. Il motore è progettato per funzionare con carburante normale senza piombo, con un valore minimo di ottani pari a 91 RON. Se questo tipo di carburante non fosse disponibile, è possibile utilizzare un carburante con un numero di ottani superiore. Questo non inciderà sul motore, ma potrebbe determinare un funzionamento meno efficiente.

Una situazione simile potrebbe verificarsi a seguito dell'uso di benzina con piombo. Per ottimizzare le prestazioni del motore e proteggere la propria salute e l'ambiente, usare solo carburante senza piombo.





Per la lubrificazione del motore occorre utilizzare un olio per motori a due tempi (qualità JASO FC o ISO EGD), da aggiungere al carburante. Per proteggere l'ambiente, il motore è progettato per usare olio per motori a due tempi DOLMAR in una miscela di proporzione 50:1. Questa progettazione garantisce inoltre una lunga durata, un funzionamento affidabile e un'emissione minima di gas di scarico. È fondamentale rispettare la proporzione di miscela 50:1 con olio per motori a due tempi DOLMAR. In caso contrario, non è possibile garantire il funzionamento affidabile del decespugliatore.

Rapporto di miscela corretto:

Miscelare 50 parti di benzina con 1 parte di olio per motori a due tempi DOLMAR (vedere la tabella a destra).

NOTA: Per preparare la miscela di olio e carburante, miscelare per prima cosa l'intera quantità di olio con metà del carburante richiesto all'interno di un contenitore omologato con caratteristiche pari o superiori alle norme locali, quindi aggiungere il carburante rimanente. Agitare bene la miscela prima di versarla nel serbatoio del decespugliatore. Non è consigliabile aggiungere una quantità di olio per motori superiore a quella specificata. Questo provocherebbe una maggiore produzione di residui di combustione, che inquinerebbero l'ambiente e ostruirebbero il condotto di scarico del cilindro, le candele e il tubo di scarico. Inoltre, una quantità eccessiva di olio per motore aumenterebbe il consumo di carburante, mentre le prestazioni risulterebbero ridotte.

Benzina (super senza piombo)	+	50:1 OIL
		
1.000 cc (1 l)		20 cc
5.000 cc (5 l)		100 cc
10.000 cc (10 l)		200 cc

Rifornimento

Non eseguire mai le operazioni di rifornimento in ambienti chiusi o non ventilati.

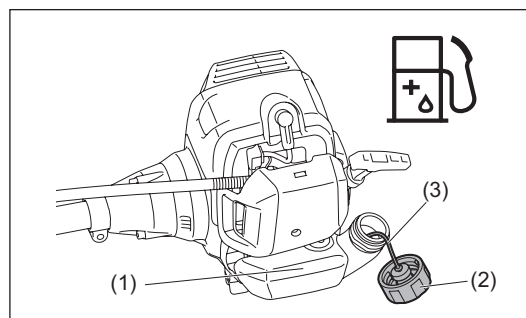
Il motore deve essere spento.

- Pulire completamente l'area intorno al tappo del serbatoio del carburante (1) per evitare che lo sporco penetri all'interno.
- Svitare il tappo del serbatoio (2) e riempire il serbatoio con il carburante.
- Non riempire mai il serbatoio del carburante fino all'orlo.
- Riavvitare saldamente il tappo del serbatoio.
- Pulire il tappo a vite e il serbatoio con un panno assorbente dopo il rifornimento. Lasciar asciugare il panno e smaltirlo in un contenitore idoneo.

NOTA: In alcuni paesi il tappo del serbatoio è privo della fascetta (3).

Conservazione del carburante

Il carburante non può essere conservato per un periodo di tempo illimitato. Acquistare solamente la quantità necessaria per un periodo di funzionamento pari a 4 settimane. Usare solo contenitori omologati per la conservazione del carburante.



GESTIONE CORRETTA DELL'UTENSILE

AVVERTENZA: La perdita completa del controllo dell'utensile potrebbe essere causa di gravi infortuni o di MORTE.

Fissaggio della tracolla

- Regolare la lunghezza della cinghia in modo che la lama da taglio sia sempre parallela al terreno.

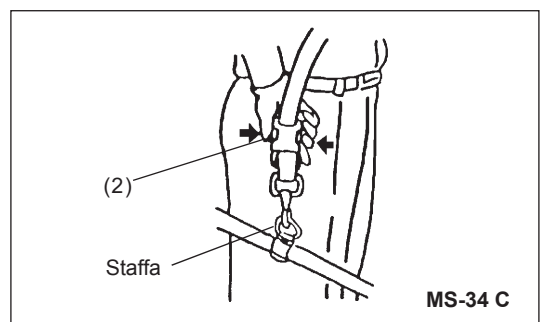
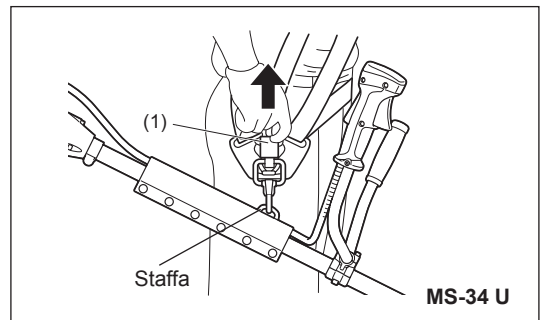
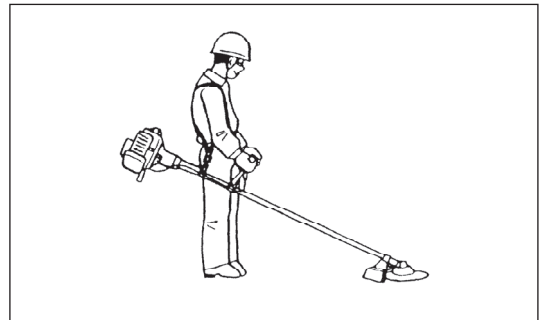
Sganciamento

Per MS-34 U

- In caso di emergenza, tirare il gancio (1) verso l'alto per sganciare l'utensile. Mantenere con attenzione il controllo dell'utensile durante l'operazione. Impedire che l'utensile venga deviato verso l'operatore o altre persone nelle vicinanze.

Per MS-34 C

- In caso di emergenza, premere in corrispondenza delle tacche (2) su entrambi i lati per sganciare l'utensile. Mantenere con attenzione il controllo dell'utensile durante l'operazione. Impedire che l'utensile venga deviato verso l'operatore o altre persone nelle vicinanze.



INFORMAZIONI UTILI SUL FUNZIONAMENTO E SULL'ARRESTO

ATTENZIONE: Rispettare le normative vigenti per la prevenzione degli infortuni.

AVVIAMENTO

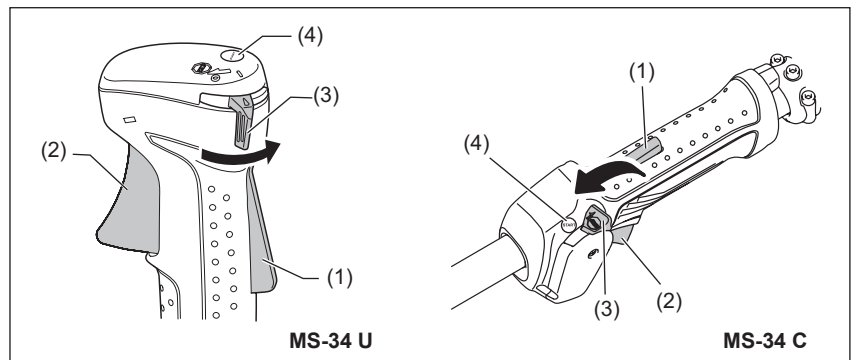
AVVERTENZA: Prestare attenzione all'immediata rotazione dell'utensile da taglio dopo l'avviamento del motore. Assicurarsi che l'utensile da taglio non sia a contatto con oggetti rigidi, quali rami, pietre, ecc.

ATTENZIONE:

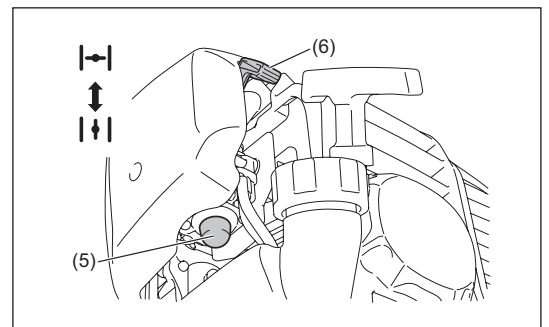
- Allontanarsi di almeno 3 m dal luogo del rifornimento. Appoggiare l'utensile a terra premurandosi di non lasciare l'utensile da taglio a contatto con il terreno o con qualunque altro oggetto.
- Non tirare la corda fino alla completa estensione. Una volta tirata la manopola di avviamento, non togliere immediatamente la mano. Accompagnare la manopola di avviamento nella posizione originale.

A: Avviamento a freddo

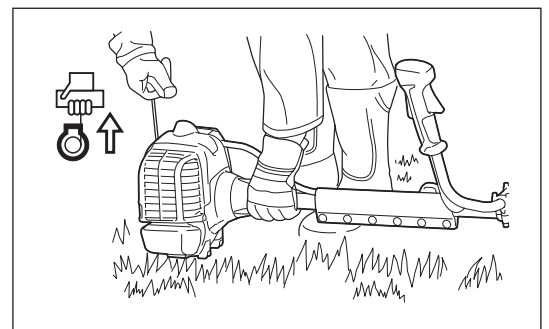
- 1) Appoggiare l'utensile su una superficie piana.
- 2) Afferrare l'impugnatura (la sicura di accensione (1) viene rilasciata).
- 3) Tenere premuta la leva dell'acceleratore (2).
- 4) Portare l'interruttore di accensione (3) nella posizione START (4). La leva dell'acceleratore si sposterà nello stato di blocco.



- 5) Premere delicatamente più volte (7-10 volte) la pompa di adescamento (5), fino a quando il carburante non affluisce al suo interno.
- 6) Spostare la leva del dispositivo di avviamento (6) nella posizione superiore (|↑| - di chiusura).



- 7) Tenere saldamente l'unità con la mano sinistra.
- 8) Tirare lentamente la manopola di avviamento fino ad avvertire una compressione. Tirarla quindi con forza.
- 9) Ripetere l'operazione di avviamento fino a udire l'accensione iniziale.
- 10) All'avviamento del motore, riportare la leva del dispositivo di avviamento nella posizione " |↓| - di apertura".
- 11) Non appena il motore viene avviato, afferrare l'impugnatura (rilasciando così la sicura di accensione) e tirare leggermente la leva dell'acceleratore per poi rilasciarla. Lo stato di bloccaggio viene annullato e il motore gira al minimo.
- 12) Lasciar girare il motore per circa un minuto a velocità moderata prima di accelerare a fondo.



B: Avviamento a caldo

- La procedura è identica a quella descritta sopra, tranne per il fatto che non occorre spostare la leva del dispositivo di avviamento (che rimane nella posizione " |↓| - di apertura").

NOTA:

Se l'aspirazione del carburante è eccessiva, togliere la candela e tirare lentamente l'impugnatura di avviamento per rimuovere il carburante in eccesso. Asciugare quindi la sezione degli elettrodi della candela.

Precauzioni durante l'uso: Se la leva dell'acceleratore è completamente aperta durante il funzionamento a vuoto, il regime del motore viene aumentato a 10.000 min⁻¹ e oltre.

Non utilizzare il motore a un regime superiore a quello richiesto. Utilizzare il motore a una velocità approssimativa di 6.000 - 8.000 min⁻¹.

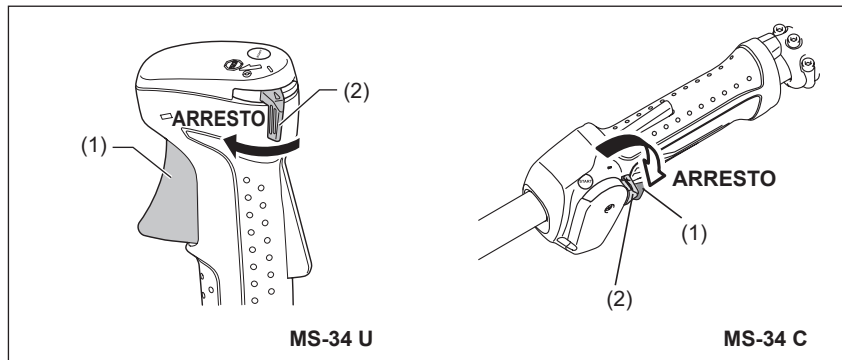
ARRESTO

- 1) Rilasciare completamente la leva dell'acceleratore (1).
- 2) Quando il regime del motore è diminuito, portare l'interruttore di accensione (2) nella posizione STOP.

ATTENZIONE:

La testina da taglio potrebbe non arrestarsi immediatamente.

Attendere che rallenti completamente.

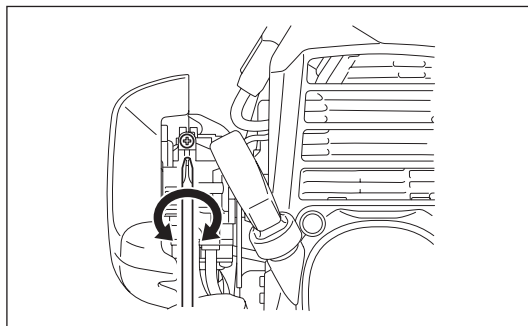


REGOLAZIONE DELLA VELOCITÀ AL MINIMO

Qualora fosse necessario regolare la velocità al minimo, effettuare la modifica utilizzando la vite di regolazione del carburatore.

CONTROLLO DELLA VELOCITÀ AL MINIMO

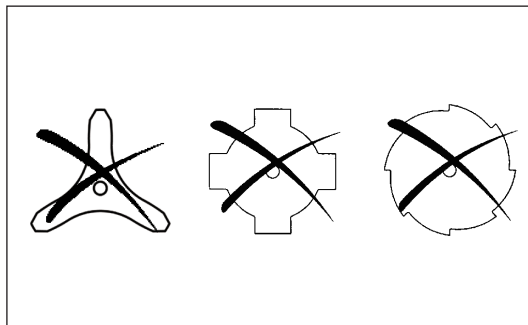
- Impostare la velocità al minimo a 2.800 min^{-1} .
Qualora fosse necessario cambiare la velocità al minimo, regolare la vite con un cacciavite a stella.
- Per aumentare la velocità al minimo, ruotare la vite di regolazione in senso orario.
Per ridurre la velocità al minimo, ruotare la vite di regolazione in senso antiorario.
- Il carburatore è stato regolato in fabbrica. Tuttavia, dopo svariati utilizzi, occorre ripetere la regolazione della velocità al minimo.



AFFILATURA DELL'UTENSILE DA TAGLIO

ATTENZIONE: Gli utensili da taglio mostrati nella figura non devono essere affilati. L'affilatura manuale può causare uno squilibrio dell'utensile da taglio, con conseguenti vibrazioni e danni all'utensile.

NOTA: Per aumentare la durata della lama da taglio è possibile capovolgerla di tanto in tanto, fino a usare entrambi i taglianti.



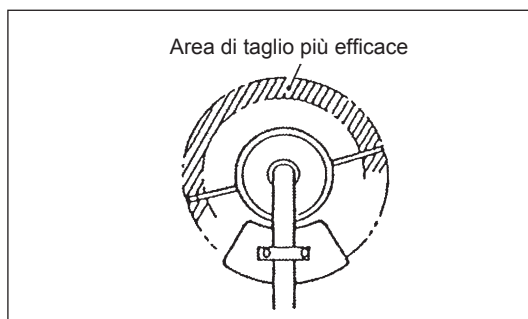
TESTINA DA TAGLIO IN NYLON

La testina da taglio in nylon è una testina tagliabordi a doppio filo con meccanismo di avanzamento del filo a battitura.

La testina da taglio in nylon preleva il filo in nylon dopo aver battuto la testina tagliabordi sul suolo.

Funzionamento

- Aumentare la velocità della testina da taglio in nylon a 6.000 min^{-1} circa.
Battere delicatamente la testina da taglio in nylon sul terreno.
- L'area di taglio più efficace è mostrata nella figura a fianco.
- Se il filo in nylon non viene estratto, riavvolgere o sostituire il filo seguendo le procedure descritte in "Sostituzione del filo in nylon".

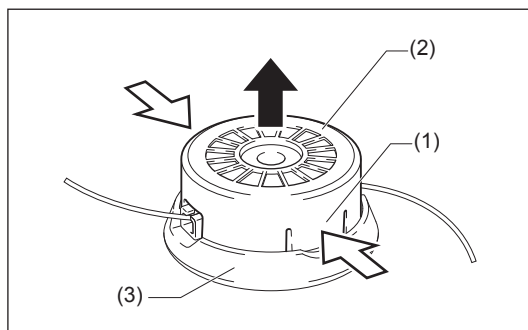


Sostituzione del filo in nylon (AVANZAMENTO DEL FILO A BATTITURA)

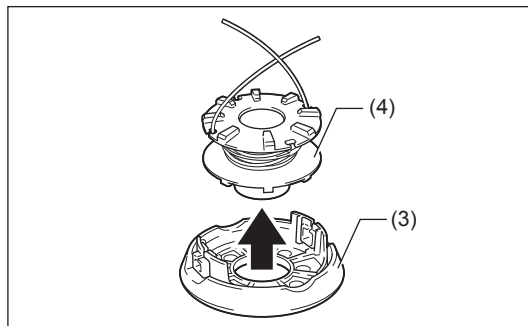
⚠ AVVERTENZA:

- Assicurarsi che il coperchio della testina da taglio in nylon sia fissato correttamente sull'alloggiamento come descritto di seguito. Il mancato fissaggio del coperchio potrebbe causare un distacco della testina da taglio in nylon, con conseguenti lesioni gravi.

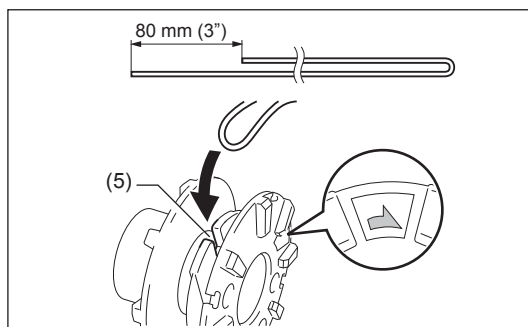
1. Premere i fermi (1) sull'alloggiamento (2) verso l'interno e sollevare verso l'alto per rimuovere il coperchio (3).



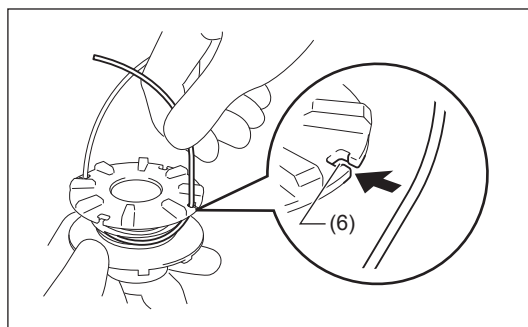
2. Rilasciare il filo in nylon dall'occhiello e rimuovere la bobina (4) dal coperchio. Eliminare l'eventuale filo in nylon rimanente.



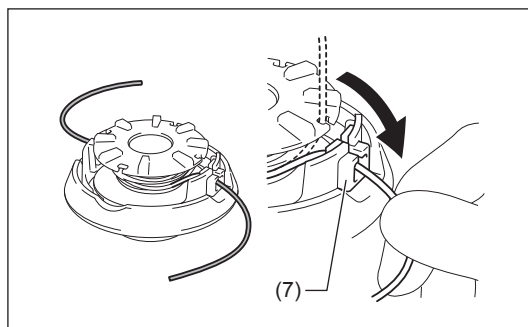
3. Agganciare la parte centrale del nuovo filo in nylon alla tacca (5) posta al centro della bobina tra i 2 canali.
Un capo del filo deve essere più lungo di circa 80 mm rispetto all'altro capo. Avvolgere saldamente entrambe le estremità intorno alla bobina nella direzione della freccia sulla bobina.



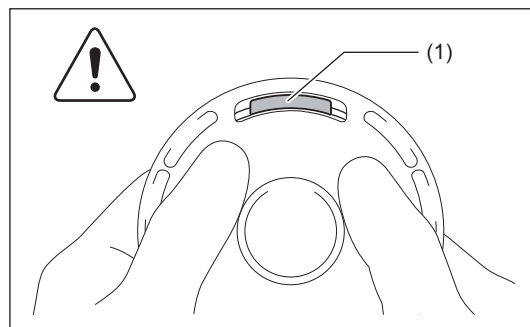
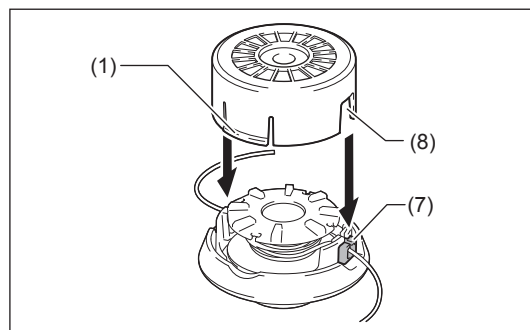
4. Avvolgere tutto il filo tranne 100 mm, lasciando le estremità temporaneamente agganciate alle tacche (6).



5. Montare la bobina nel coperchio posizionando le tacche di sostegno in corrispondenza degli occhielli (7). Sganciare le estremità del filo dalla loro posizione temporanea e far passare il filo attraverso gli occhielli.



6. Allineare le fessure quadrate (8) sull'alloggiamento con gli occhielli (7).
Premere quindi saldamente l'alloggiamento sul coperchio per fissarlo.
Assicurarsi che i fermi (1) si estendano completamente sul coperchio.



ISTRUZIONI PER LA MANUTENZIONE

ATTENZIONE: Prima di effettuare qualsiasi intervento sull'utensile, spegnere il motore e staccare la candela (vedere "Controllo della candela"). Indossare sempre i guanti protettivi.

Per garantire una vita utile prolungata ed evitare danni all'utensile, è opportuno effettuare periodicamente le seguenti operazioni di manutenzione.

Controllo e manutenzione giornalieri

- Prima dell'uso, controllare l'utensile per verificare che non vi siano viti allentate o parti mancanti. Verificare in particolare che la lama in metallo o la testina da taglio in nylon sia ben serrata.
- Prima dell'uso, verificare che il passaggio dell'aria di raffreddamento e le alette del cilindro non siano intasati. Effettuare la pulizia, se necessario.
- Eseguire le seguenti operazioni di manutenzione giornaliera dopo l'uso:
 - Pulire esternamente l'utensile e verificare la presenza di danni.
 - Pulire il filtro dell'aria. Se il lavoro avviene in ambienti particolarmente polverosi è bene pulire il filtro più volte al giorno.
 - Controllare eventuali danni alla lama o alla testina da taglio in nylon e verificare che sia montata saldamente.
 - Controllare che vi sia una differenza sufficiente tra la velocità al minimo e la velocità di esercizio, in modo che l'utensile da taglio sia fermo quando il motore è al minimo (se necessario ridurre la velocità al minimo).
Se in condizioni di minimo l'utensile è ancora in funzione, rivolgersi al centro assistenza autorizzato di zona.
- Controllare il funzionamento dell'interruttore di accensione, della sicura di accensione, della leva dell'acceleratore e del pulsante di bloccaggio.

PULIZIA DEL FILTRO DELL'ARIA



AVVERTENZA: Spegnere il motore, allontanarsi dalle fiamme libere e non fumare.

Intervallo di pulizia e ispezione: Quotidiana (ogni 10 ore di funzionamento)

- Ruotare la leva del dispositivo di avviamento (4) in modo che sia completamente chiusa e tenere il carburatore lontano da polvere e sporcizia.

Rimozione del coperchio del filtro dell'aria

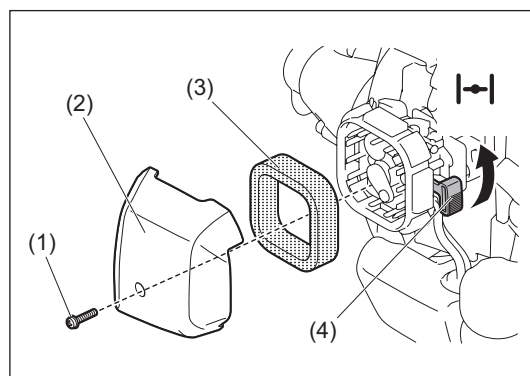
- Rimuovere la vite (1) e il coperchio del filtro dell'aria (2).

Pulizia dell'elemento filtrante

- Rimuovere l'elemento filtrante (3) e picchiettarlo per rimuovere lo sporco.
- In caso di grave contaminazione:
Rimuovere l'elemento in spugna, lavarlo in una soluzione di acqua e detergente e lasciarlo asciugare completamente.
- Quando l'elemento è asciutto, immergerlo nell'olio per motori a due tempi, quindi strizzarlo per eliminare l'olio in eccesso.
- Prima di reinserire l'elemento in spugna, controllare che l'olio sia distribuito in maniera uniforme sull'elemento. L'olio in eccesso potrebbe comportare difficoltà di avviamento.
- Rimuovere con uno straccio l'olio rimasto intorno al coperchio del filtro dell'aria.

Montaggio del coperchio del filtro dell'aria

- Dopo la pulizia, reinserire l'elemento in spugna. Rimontare il coperchio del filtro dell'aria. Serrarlo con la vite.



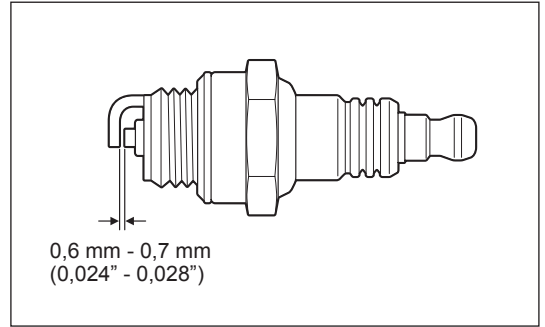
AVVISO:

- Se sul filtro dell'aria si deposita una quantità eccessiva di polvere o di sporcizia, pulirlo quotidianamente. Gli elementi filtranti sporchi riducono la potenza del motore e rendono difficoltoso l'avviamento del motore.
- Rimuovere l'olio sugli elementi filtranti. Se l'utilizzo continua senza che l'olio venga rimosso dagli elementi filtranti, l'olio all'interno del filtro dell'aria potrebbe fuoriuscire, provocando una contaminazione dell'ambiente.
- Non appoggiare gli elementi filtranti a terra o in luoghi polverosi. In caso contrario, gli stessi raccolgono sporcizia e detriti e potrebbero danneggiare il motore.
- Non utilizzare mai il carburante per la pulizia degli elementi filtranti. Il carburante potrebbe danneggiarli.

CONTROLLO DELLA CANDELA

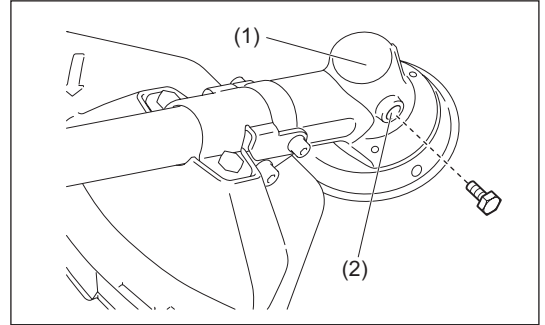
- Usare esclusivamente la chiave universale in dotazione per rimuovere o montare la candela.
 - La distanza tra i due elettrodi della candela deve essere compreso 0,6 - 0,7 mm (0,024" - 0,028"). Se la distanza è superiore o inferiore a questo intervallo, è necessario regolarla. Se la candela è ostruita o contaminata occorre pulirla accuratamente o sostituirla.
- Dopo il controllo, posizionare correttamente la candela come illustrato.

ATTENZIONE: Non toccare mai il connettore della candela mentre il motore è in funzione (pericolo di scossa elettrica ad alta tensione).



INGRASSAGGIO DELLA SCATOLA DEGLI INGRANAGGI

- Ingrassare la scatola degli ingranaggi (1) inserendo grasso (Shell Alvania 2 o equivalente) nell'apposito foro (2) ogni 30 ore. Il grasso DOLMAR originale può essere acquistato presso il rivenditore DOLMAR di zona.



PULIZIA DEL FILTRO DEL CARBURANTE

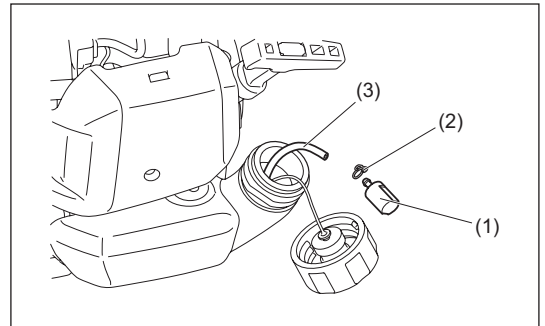
AVVERTENZA: DIVIETO DI UTILIZZO DI INFIAMMABILI

Intervallo di ispezione: Mensile (ogni 50 ore di funzionamento)

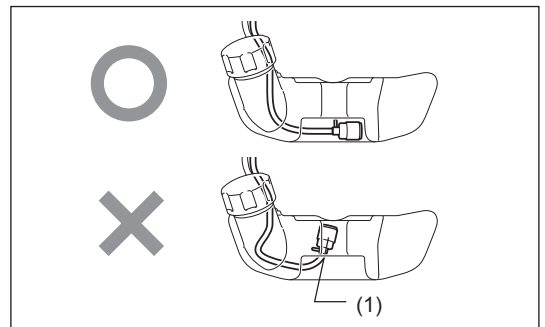
Testina di aspirazione nel serbatoio del carburante

Controllare periodicamente il filtro del carburante (1). Per controllare il filtro del carburante, procedere come segue:

1. Rimuovere il tappo del serbatoio del carburante e svuotare il serbatoio. Controllare che nel serbatoio non vi siano corpi estranei. Eventualmente rimuoverli.
2. Servendosi di un gancio metallico, estrarre la testina di aspirazione attraverso l'apertura del serbatoio.
3. Se il filtro del carburante è leggermente ostruito, effettuare la pulizia. Per pulirlo, scuoterlo delicatamente e picchiettarlo per far uscire il carburante. Per evitare di danneggiarlo, non strizzare o strofinare il filtro. Il carburante usato per la pulizia deve essere smaltito in conformità alle legislazioni vigenti nel proprio paese. Sostituire il filtro del carburante se è indurito o gravemente ostruito.
4. Dopo il controllo, la pulizia o la sostituzione, inserire il filtro del carburante nel tubo del carburante (3) e fissarlo con il serracavo (2). Spingere il filtro del carburante fino in fondo al serbatoio del carburante.



Un filtro del carburante ostruito o danneggiato può causare un afflusso insufficiente di carburante al motore, riducendone la potenza. Sostituire il filtro del carburante con una frequenza almeno trimestrale, in modo da garantire un'erogazione costante di carburante al carburatore.

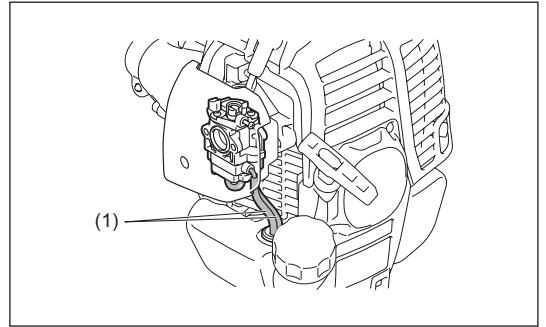


SOSTITUZIONE DEL TUBO DEL CARBURANTE

ATTENZIONE: DIVIETO DI UTILIZZO DI INFIAMMABILI

Intervallo di pulizia e ispezione: Quotidiana (ogni 10 ore di funzionamento)
Sostituzione: Annuale (ogni 200 ore di funzionamento)

Sostituire il tubo del carburante (1) una volta l'anno, indipendentemente dalla frequenza di utilizzo. Le perdite di carburante potrebbero dare luogo a incendi. Se durante l'ispezione vengono rilevate perdite, sostituire immediatamente il tubo del carburante.



ISPEZIONE DI BULLONI, DADI E VITI

- Serrare bulloni, dadi e viti allentati.
- Controllare che il tappo del carburante e il tappo dell'olio siano serrati. Verificare che non vi siano perdite di carburante e olio.
- Sostituire le parti danneggiate per garantire la sicurezza.

PULIZIA DEI COMPONENTI

- Tenere sempre pulito il motore strofinandolo con uno straccio.
- Rimuovere costantemente la polvere e la sporcizia dalle alette del cilindro. La polvere o la sporcizia che aderisce alle alette può causare il grippaggio del pistone.

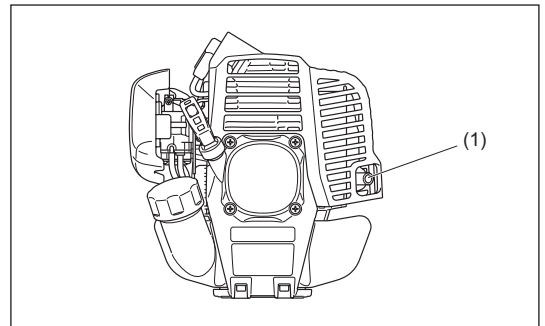
SOSTITUZIONE DELLE GUARNIZIONI

Sostituire le guarnizioni se il motore è smontato.

Qualunque attività di manutenzione o regolazione non descritta nel presente manuale deve essere affidata ai rappresentanti autorizzati dell'assistenza.

PULIZIA DELL'APERTURA DI SCARICO DELLA MARMITTA

- Controllare regolarmente l'apertura di scarico della marmitta (1).
- Se è ostruita da depositi di carbonio, grattare con cura i depositi utilizzando un utensile adatto.



STOCCAGGIO

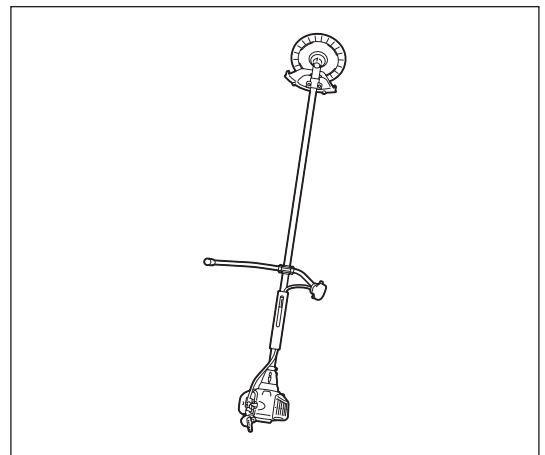


AVVERTENZA: Subito dopo lo spegnimento il motore è ancora caldo. Per il drenaggio del carburante, attendere il tempo necessario affinché il motore si raffreddi dopo lo spegnimento. In caso contrario potrebbero verificarsi ustioni e/o incendi.



PERICOLO: In caso di inutilizzo prolungato dell'utensile, drenare tutto il carburante dal serbatoio e dal carburatore e conservare l'utensile in un ambiente pulito e asciutto.

- Scaricare il carburante dal serbatoio e dal carburatore attenendosi alla procedura riportata di seguito:
 - 1) Rimuovere il tappo del serbatoio del carburante e scaricare completamente il carburante.
Se nel serbatoio rimangono corpi estranei, rimuoverli completamente.
 - 2) Estrarre il filtro del carburante dallo sportello di rabbocco utilizzando un filo.
 - 3) Premere la pompa di adescamento fino a scaricare tutto il carburante al suo interno, quindi scaricare il carburante penetrato nel serbatoio.
 - 4) Inserire il filtro nel serbatoio del carburante e serrare il relativo tappo.
 - 5) Lasciare il motore in funzione fino all'arresto.
- Staccare la candela e lasciar cadere diverse gocce di olio motore nel foro della candela.
- Tirare delicatamente l'impugnatura di avviamento per far circolare l'olio nel motore, quindi inserire la candela.
- Fissare il coperchio alla lama in metallo.
- In linea generale, riporre l'utensile in posizione orizzontale. Se ciò non fosse possibile, posizionare l'utensile in modo che l'unità motore sia sotto l'utensile da taglio. In caso contrario potrebbero verificarsi perdite di olio motore dall'interno.
- Conservare il carburante scaricato in un contenitore speciale posto in un ambiente ben aerato.



Tempo di funzionamento Componente		Prima dell'uso	Dopo il rifornimento	Quotidiano (10 ore)	30 ore	50 ore	200 ore o 1 anno (in base a quale evento si verifica prima)	Prima dello stoccaggio	P corrispondente
Serraggio dei componenti (bulloni, dadi)	Ispezione	○							83
Serbatoio del carburante	Pulizia	○							—
	Drenaggio del carburante							○*2	83
Leva dell'acceleratore	Controllo del funzionamento		○						—
Interruttore di arresto	Controllo del funzionamento		○						81
Utensile da taglio	Ispezione	○		○					73
Velocità al minimo	Ispezione/ regolazione			○					78
Filtro dell'aria	Pulizia			○					81
Candela	Ispezione			○					82
Passaggio dell'aria di raffreddamento e alette del cilindro	Pulizia/ ispezione			○					83
Tubo del carburante	Ispezione			○					83
	Sostituzione						◎*1		—
Grasso della scatola degli ingranaggi	Rifornimento				○				82
Marmitta	Ispezione/ Pulizia dell'apertura				○				—
Filtro del carburante	Pulizia/ sostituzione					○			82
Carburatore	Drenaggio del carburante							○*2	83

*1 Per l'ispezione dopo 200 ore di funzionamento rivolgersi a un rappresentante autorizzato dell'assistenza o a un'officina.

*2 Dopo aver svuotato il serbatoio del carburante, lasciare il motore in funzione e drenare il carburante nel carburatore.

RISOLUZIONE DEI PROBLEMI

Prima di richiedere una riparazione è opportuno valutare il problema autonomamente. Se viene rilevata un'anomalia, controllare l'utensile secondo la descrizione riportata nel presente manuale. Non smontare o manomettere le parti non indicate nella descrizione. Per le riparazioni rivolgersi al rappresentante autorizzato dell'assistenza o al rivenditore di zona.

Anomalia	Probabile causa (problema di funzionamento)	Soluzione
Il motore non si avvia.	L'interruttore di accensione è impostato su STOP.	Impostare l'interruttore di accensione su START.
	Impossibile utilizzare la pompa di adescamento.	Premere da 7 a 10 volte.
	Velocità di tiraggio ridotta della corda di avviamento.	Tirare con forza.
	Mancanza di carburante.	Rifornire il carburante.
	Posizione errata del dispositivo di avviamento.	Utilizzare la posizione "DI CHIUSURA" (avviamento a freddo). Utilizzare la posizione "DI APERTURA" (avviamento a caldo).
	Filtro del carburante intasato.	Sostituirlo.
	Tubo del carburante piegato o ostruito.	Raddrizzare o sostituire il tubo del carburante.
	Carburante deteriorato.	Il carburante deteriorato rende difficoltoso l'avviamento. Sostituire con carburante nuovo. (Sostituzione consigliata: 1 mese)
	Aspirazione eccessiva di carburante.	Portare la leva dell'acceleratore dalla posizione di velocità media alla posizione di velocità alta, quindi tirare l'impugnatura di avviamento fino ad avviare il motore. Dopo l'avviamento del motore, l'utensile da taglio inizia a ruotare. Prestare la massima attenzione all'utensile da taglio. Se il motore ancora non si avvia, staccare la candela, asciugare l'elettrodo e rimontarli come in origine. Quindi, procedere all'avviamento come specificato.
	Candela staccata.	Fissarla in modo saldo.
	Candela contaminata.	Pulirla.
	Gioco anomalo della candela.	Regolare il gioco.
	Anomalia della candela.	Sostituirla.
	Anomalia del carburatore.	Richiedere l'ispezione e la manutenzione.
	Il motore si arresta subito. La velocità del motore non aumenta.	La corda di avviamento non può essere tirata o non si avverte compressione.
Anomalia del sistema di comando/elettrico (guasto dell'interruttore di accensione, errore di cablaggio, guasto del connettore, ecc.)		Richiedere l'ispezione e la manutenzione.
Riscaldamento insufficiente.		Eseguire l'operazione di riscaldamento.
La leva dell'aria è nella posizione di "CHIUSURA" anche se il motore è stato riscaldato.		Portarla nella posizione di "APERTURA"
Velocità al minimo bassa.		Regolare la velocità al minimo.
Filtro del carburante intasato.		Sostituirlo.
Filtro dell'aria contaminato o ostruito.		Pulirlo o sostituirlo.
Anomalia del carburatore.		Richiedere l'ispezione e la manutenzione.
La lama in metallo non ruota.	Problema della marmitta di scarico (intasata, ecc.)	Richiedere l'ispezione e la manutenzione.
	Anomalia del sistema di comando/elettrico	Richiedere l'ispezione e la manutenzione.
	Dado di serraggio della lama in metallo allentato.	Serrarlo saldamente.
Spegnerne immediatamente il motore	Ramoscelli raccolti dalla lama o dal coperchio anti-dispersione.	Rimuovere i corpi estranei.
	Anomalia del sistema di comando.	Richiedere l'ispezione e la manutenzione.
	Lama in metallo rotta, piegata o usurata.	Sostituire la lama in metallo.
L'unità principale vibra in modo anomalo.	Dado di serraggio della lama in metallo allentato.	Serrarlo saldamente.
	Parte convessa della lama in metallo e relativo raccordo di supporto in posizione non corretta.	Fissarli in modo saldo.
	Anomalia del sistema di comando.	Richiedere l'ispezione e la manutenzione.
La lama in metallo non si ferma immediatamente.	Velocità al minimo alta.	Regolare la velocità al minimo.
	Cavo dell'acceleratore staccato.	Fissarlo in modo saldo.
	Anomalia del sistema di comando.	Richiedere l'ispezione e la manutenzione.
Spegnerne immediatamente il motore	Connettore staccato.	Fissarlo in modo saldo.
	Anomalia del sistema elettrico.	Richiedere l'ispezione e la manutenzione.
Il motore non si arresta.	Avviare il motore al minimo e portare la leva del dispositivo di avviamento nella posizione di CHIUSURA	
	Anomalia del sistema elettrico.	Richiedere l'ispezione e la manutenzione.

- Se il motore non si avvia dopo l'operazione di riscaldamento:
Se non vengono rilevate anomalie, aprire l'acceleratore di circa 1/3 e avviare il motore.
- Se si rilevano anomalie diverse da quelle descritte nella tabella, contattare il centro assistenza autorizzato.

Hartelijk dank voor uw aankoop van dit gemotoriseerd tuingereedschap van DOLMAR. Met trots bevelen wij u dit gereedschap van DOLMAR van harte aan als resultaat van een langdurig ontwikkelingsprogramma en jarenlange kennis en ervaring.

Lees deze handleiding met daarin nauwkeurige beschrijvingen van de diverse punten die zijn hoogstaande prestaties demonstreren. Hierdoor bent u in staat de best mogelijke resultaten te behalen die het gereedschap van DOLMAR u kan bieden.



Inhoud	Pagina
Symbolen.....	86
Veiligheidsinstructies	87
Technische gegevens.....	91
Namen van onderdelen	92
De handgreep monteren.....	93
De beschermkap monteren	94
Het snijgereedschap monteren	95
Brandstof en bijvullen	96
Correct omgaan met het gereedschap	97
Tips voor gebruik en procedure voor stoppen	98
Het snijgereedschap slijpen	99
Onderhoudsinstructies.....	102
Opslag	104
Problemen oplossen.....	106

SYMBOLEN

Let op de volgende symbolen wanneer u de gebruiksaanwijzing leest.

	Lees de gebruiksaanwijzing en volg de waarschuwingen en veiligheidsvoorzorgsmaatregelen op!		Houd mensen en huisdieren weg van het werkgebied!
	Besteed bijzondere zorg en aandacht!		Draag een veiligheidshelm, oog- en gehoorbescherming!
	Verboden!		Toegestaan maximumtoerental
	Houd afstand!		Benzine-oliemengsel
	Gevaar voor rondvliegende voorwerpen!		Motor handmatig starten
	Terugslag!		Noodstop
	Verboden te roken!		EHBO
	Geen open vuur!		AAN/START
	Veiligheidshandschoenen vereist!		UIT/STOP
	Draag stevige schoenen met antislipzolen. Veiligheidsschoenen met stalen neuzen worden aanbevolen!		GASKLEPVERGRENDELINGSSTAND

VEILIGHEIDSINSTRUCTIES

Algemene instructies

- Lees deze gebruiksaanwijzing om u bekend te maken met de juiste manier van omgaan met het gereedschap. Gebruikers die onvoldoende geïnformeerd zijn, lopen de kans zichzelf en anderen in gevaar te brengen als gevolg van onjuist omgaan met het multifunctionele aandrijfsysteem.
- Het verdient aanbeveling het gereedschap uitsluitend uit te lenen aan mensen die bewezen hebben ervaren te zijn. Geef altijd de gebruiksaanwijzing mee.
- Onervaren gebruikers dienen de dealer te vragen om basisinstructies om zichzelf bekend te maken met het omgaan met een bosmaaier.
- Laat geen kinderen of jonge mensen die jonger zijn dan 18 jaar met het gereedschap werken. Jongeren die ouder zijn dan 16 jaar mogen echter het gereedschap gebruiken om te oefenen terwijl ze onder toezicht staan van een gekwalificeerde begeleider.
- Gebruik het gereedschap met de grootst mogelijke zorg en aandacht.
- Gebruik het gereedschap alleen als u in goede lichamelijke conditie bent. Werk altijd rustig en voorzichtig. De gebruiker is aansprakelijk ten opzichte van anderen.
- Gebruik dit gereedschap nooit na het gebruik van alcohol of drugs, of wanneer u zich moe of ziek voelt.
- Het gebruik van het gereedschap kan landelijk gereguleerd zijn.

Bedoeld gebruik van het gereedschap

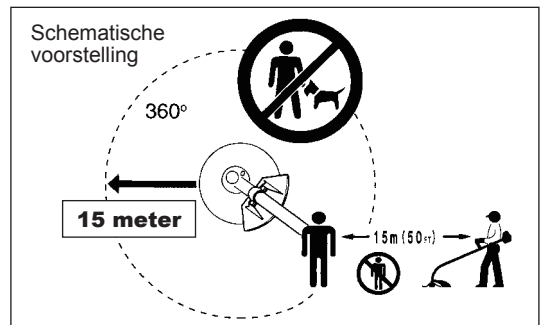
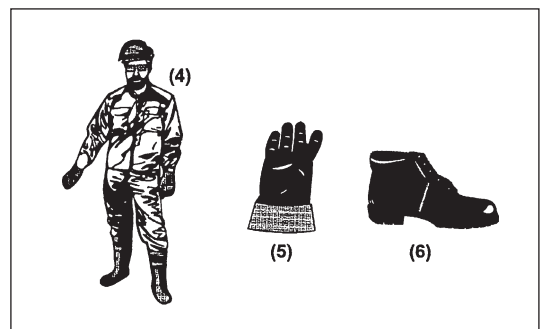
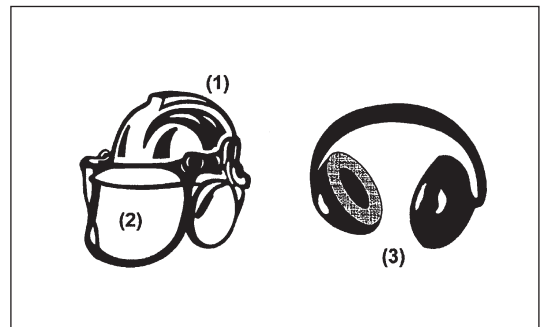
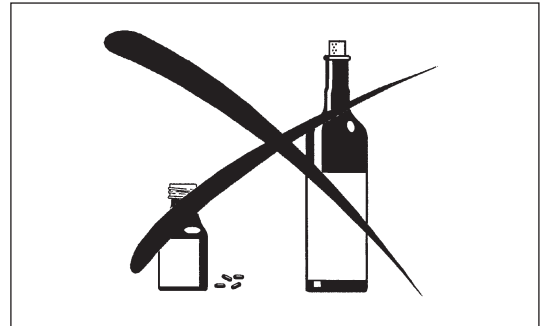
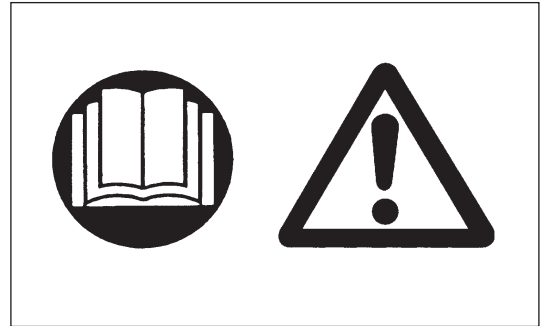
- Het gereedschap is uitsluitend bedoeld voor het maaien van gras, onkruid, struiken en ondergroei. Het mag niet worden gebruikt voor enig ander doel, zoals randen bijwerken of heggen snoeien, aangezien dit tot letsel kan leiden.

Persoonlijke-veiligheidsuitrusting

- De te dragen kleding dient functioneel en geschikt te zijn, d.w.z. nauwsluitend zonder te hinderen. Draag geen juwelen of kleding die in de struiken kunnen verstrikt raken.
- Om tijdens het gebruik letsels aan hoofd, ogen, handen of voeten te voorkomen en uw gehoor te beschermen, moeten de volgende veiligheidsuitrusting en beschermende kleding worden gebruikt terwijl u werkt.
- Draag altijd een helm wanneer het risico bestaat op vallende objecten. U moet de veiligheidshelm (1) regelmatig controleren op schade en uiterlijk na 5 jaar worden vervangen. Gebruik alleen goedgekeurde veiligheidshelmen.
- Het spatscherm (2) van de helm (of de veiligheidsbril) beschermt het gezicht tegen rondvliegend afval en opspringende stenen. Draag tijdens het gebruik altijd een veiligheidsbril of een spatscherm om letsel aan de ogen te voorkomen.
- Draag geschikte uitrusting om u te beschermen tegen het lawaai en gehoorbeschadiging te voorkomen (oorbeschermers (3), oordopjes, enz.).
- Een werkoverall (4) beschermt tegen rondvliegend afval en opspringende stenen. Wij raden u sterk aan een werkoverall te dragen.
- Handschoenen (5) maken deel uit van de voorgeschreven uitrusting en moeten altijd worden gedragen tijdens het gebruik.
- Draag tijdens gebruik van het gereedschap altijd stevige schoenen (6) met een antislipzool. Dit beschermt u tegen letsel en garandeert dat u stevig staat.

De bosmaaier starten

- Controleer of er geen kinderen of andere mensen aanwezig zijn binnen een werkbereik van 15 meter en let ook op of er geen dieren in de werkomgeving zijn.
- Controleer voor gebruik altijd of het gereedschap veilig is om te gebruiken. Controleer de bevestiging van het snijgarnituur, controleer of de gashendel gemakkelijk kan worden bediend, en controleer of de gashendelvergrendeling goed werkt.
- Het snijgarnituur mag niet draaien bij stationair motortoerental. Neem bij twijfel contact op met uw dealer voor afstelling. Controleer of de handgrepen schoon en droog zijn en test de werking van de stopschakelaar.

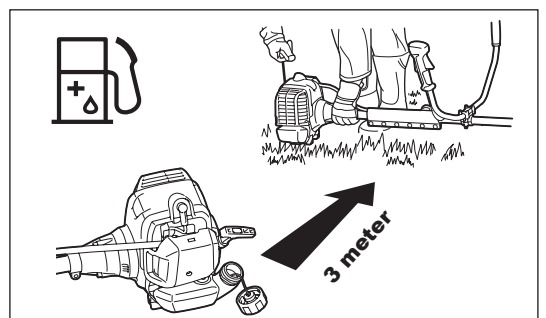
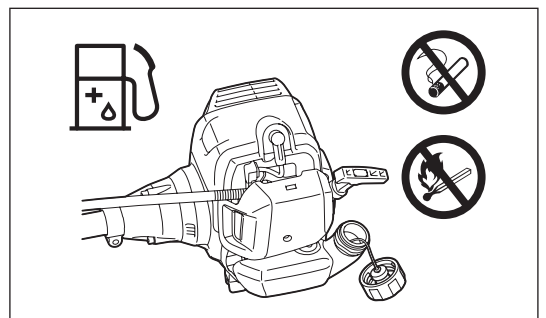
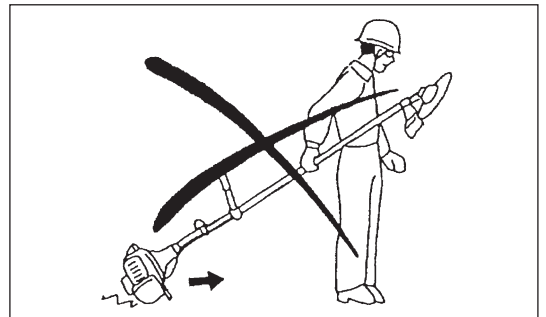
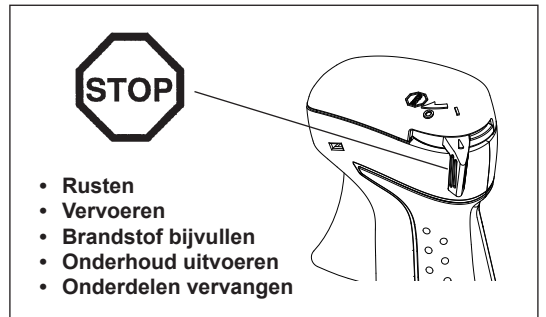
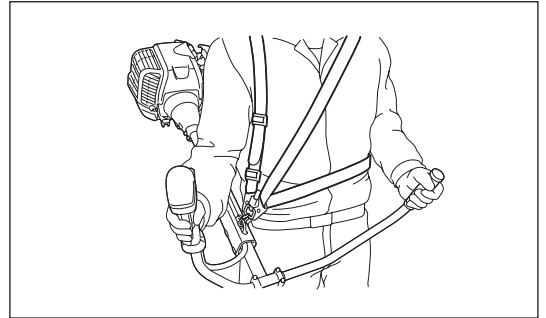
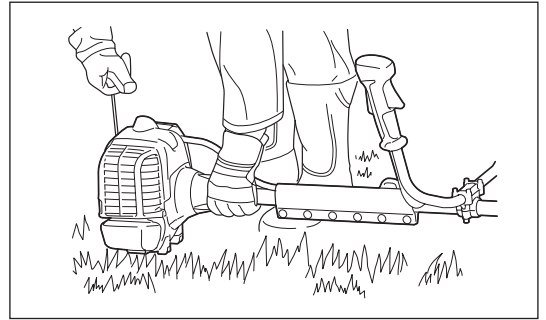


Start de bosmaaier alleen in overeenstemming met de instructies.

- Gebruik geen enkele andere methode om de motor te starten!
- Gebruik de bosmaaier en de gereedschappen uitsluitend voor de beschreven toepassingen.
- Start de motor van de benzinegraskantmaaier alleen nadat deze volledig is gemonteerd. Het gereedschap mag uitsluitend worden gebruikt nadat alle toepasselijke toebehoren zijn gemonteerd!
- Controleer vóór het starten of het snijgarnituur geen contact maakt met harde voorwerpen, zoals takken, stenen, enz., omdat tijdens het starten het snijgarnituur zal ronddraaien.
- De motor moet onmiddellijk uitgeschakeld worden in geval van enige motorstoring.
- Als het snijgarnituur stenen of andere harde voorwerpen raakt, moet u de motor onmiddellijk uitschakelen en het snijgarnituur controleren.
- Controleer het snijgarnituur regelmatig op beschadiging (inspecteren op haarscheurtjes met de klopgeluidentest).
- Nadat tegen het gereedschap is gestoten of het is gevallen, controleert u de conditie van het gereedschap voordat u de werkzaamheden hervat. Controleer het brandstofsysteem op brandstoflekkage, en de bedieningselementen en veiligheidsvoorzieningen op een juiste werking. Als enige beschadiging zichtbaar is of u twijfelt, vraagt u ons erkende servicecentrum om inspectie en reparatie.
- Gebruik het gereedschap alleen terwijl het bevestigd is aan het schouderdraagstel, dat goed moet worden afgesteld voordat de bosmaaier wordt gebruikt. Het is belangrijk het schouderdraagstel af te stellen op de lichaamsgrootte van de gebruiker om vermoeidheid tijdens gebruik te voorkomen. Houd het multifunctionele aandrijfsysteem nooit met slechts één hand vast tijdens het gebruik.
- Houd tijdens gebruik de bosmaaier altijd met twee handen vast. Zorg er altijd voor dat u stevig staat.
- Gebruik het gereedschap zo, dat u geen uitlaatgassen kunt inademen. Laat de motor nooit draaien in een gesloten vertrek (kans op gasverstikking). Koolmonoxide is een geurloos gas.
- Schakel de motor uit tijdens pauzes en wanneer u het gereedschap onbeheerd achterlaat, en leg hem op een veilige plaats om gevaar voor anderen en beschadiging van het gereedschap te voorkomen.
- Leg nooit een warme bosmaaier op droog gras of enige andere ontvlambare materialen.
- Breng altijd een goedgekeurde beschermkap van het snijgarnituur aan op het gereedschap voordat u de motor start.
- Als u dat niet doet, kan aanraking van het snijgarnituur leiden tot ernstig persoonlijk letsel.
- De hele veiligheidsuitrusting en alle beschermkappen die bij het gereedschap zijn geleverd, moeten tijdens het werk worden gebruikt.
- Gebruik het gereedschap nooit met een defecte uitlaatdemper.
- Schakel de motor uit tijdens het vervoer.
- Wanneer u het gereedschap vervoert, bevestigt u altijd de beschermkap op het metalen blad.
- Leg tijdens vervoer per auto het gereedschap op een veilige plaats om te voorkomen dat er brandstof uit lekt.
- Wanneer u het gereedschap vervoert, moet u ervoor zorgen dat de brandstoftank volledig leeg is.
- Let erop dat bij het uitladen van het gereedschap uit de auto de motor niet op de grond valt omdat hierdoor de brandstoftank ernstig kan worden beschadigd.
- Behalve in noodgevallen mag u het gereedschap nooit op de grond laten vallen of weggooien omdat hierdoor het gereedschap zwaar beschadigd kan raken.
- Let erop dat u het volledige gereedschap van de grond tilt wanneer u het verplaatst. Het is bijzonder gevaarlijk de brandstoftank over de grond te slepen en dit zal beschadiging en lekkage veroorzaken die kan leiden tot brand.
- Voorkom aanraking van de uitlaatdemper. Deze wordt zeer heet tijdens gebruik.
- Bedien de motor niet in een omgeving met explosiegevaar, zoals een omgeving met explosieve vloeistoffen, gassen of stof. De motor produceert vonken die de dampen of het stof kunnen ontsteken.

Brandstof bijvullen

- Schakel de motor uit alvorens brandstof bij te vullen, blijf uit de buurt van open vuur en rook niet.
- Vermijd huidcontact met minerale-olieproducten. Adem de brandstofdampen niet in. Draag altijd veiligheidshandschoenen tijdens het bijvullen van de brandstof. Zorg dat u de beschermende kleding regelmatig vervangt en reinigt.
- Wees voorzichtig geen brandstof of olie te morsen om bodemverontreiniging te voorkomen (milieubescherming). Reinig de bosmaaier onmiddellijk nadat brandstof erop is gemorst.
- Vermijd dat brandstof in aanraking komt met uw kleding. Kleed u onmiddellijk om als brandstof op uw kleding is gemorst (om te voorkomen dat de kleding vlam vat).
- Inspecteer de brandstofvuldop regelmatig om zeker te zijn dat de dop stevig kan worden aangedraaid en niet lekt.
- Draai de brandstofvuldop stevig vast. Verplaatst het gereedschap voordat u de motor start (tenminste 3 meters afstand tot de plaats waar brandstof is bijgevuld.)
- Vul nooit brandstof bij in een gesloten vertrek. Brandstofdampen verzamelen zich vlak boven de vloer (risico van explosie.)
- Vervoer en bewaar brandstof alleen in goedgekeurde tanks. Zorg dat de opgeslagen brandstof niet toegankelijk is voor kinderen.



Gebruiksmethode

- Gebruik het gereedschap alleen bij goed licht en zicht. Wees in de winter bedacht op gladde of natte plaatsen, ijs en sneeuw (gevaar voor uitglijden). Zorg er altijd voor dat u stevig staat.
- Maai nooit boven heuphoogte.
- Werk nooit vanaf een ladder.
- Klim nooit in een boom om daar met het gereedschap te werken.
- Werk nooit op onstabiele oppervlakken.
- Verwijder zand, stenen, nagels, enz. die u binnen uw werkbereik vindt. Vreemde voorwerpen kunnen het snijgarnituur beschadigen en gevaarlijke terugslagen veroorzaken.
- Voordat u begint te maaien, moet het snijgarnituur op maximaal toerental draaien.
- Bij gebruik van een metalen blad, zwaait u het gereedschap gelijkmatig in halve cirkels van rechts naar links, zoals een zeis wordt gebruikt. Als gras of takken bekneld raken tussen het snijgarnituur en de beschermkap, zet u altijd de motor uit voordat u ze verwijdert. Als u dat toch doet, kan door onbedoeld draaien van het snijblad ernstig letsel ontstaan.
- Neem een pauze om te voorkomen dat u door vermoeidheid de controle over het gereedschap verliest. Wij adviseren u ieder uur 10 tot 20 minuten te rusten.

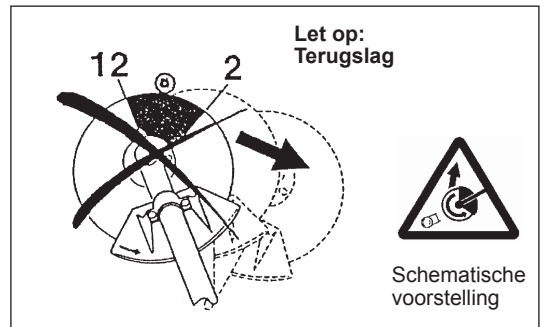


Snijgarnituren

- Gebruik een geschikt snijgarnituur voor de geplande werkzaamheden. Nylondraad-snijkoppen (voor graskantmaaiers) zijn geschikt voor het maaien van een gazon. Metalen bladen zijn geschikt voor het maaien van onkruid, hoog gras, struiken, heesters, ondergroei, bosjes en dergelijke. Gebruik nooit andere messenbladen, waaronder metalen meerdelige kettingen en vlegelmessen. Als u dat toch doet, kan ernstig letsel ontstaan.
- Bij gebruik van een metalen blad voorkomt u dat terugslag kan optreden en bent u altijd voorbereid op per ongeluk optredende terugslag. Raadpleeg het hoofdstuk "Terugslag".

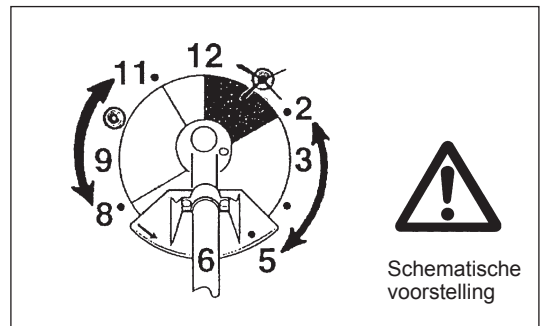
Terugslag (stoot van het snijblad)

- Terugslag (stoot van het snijblad) is een plotselinge reactie op een klemzittend of vastgelopen metalen blad. Zodra dit optreedt wordt het gereedschap met grote kracht zijwaarts of in de richting van de gebruiker geworpen en kan het ernstig letsel veroorzaken.
- Terugslag treedt met name op wanneer u met het snijbladsegment tussen 12 en 2 uur tegen een hard voorwerp, struiken en takken met een diameter van 3 cm of meer komt.
- Om terugslag te voorkomen:
 - gebruikt u het snijbladsegment tussen 8 en 11 uur;
 - gebruikt u het snijbladsegment nooit tussen 12 en 2 uur;
 - gebruikt u het snijbladsegment nooit tussen 11 en 12 uur en tussen 2 en 5 uur, behalve indien de gebruiker goed opgeleid en erg ervaren is en dit op zijn/haar eigen verantwoordelijkheid doet;
 - gebruik het metalen blad nooit dichtbij harde voorwerpen, zoals afrasteringen, muren, boomstammen en stenen, en
 - houd het metalen blad nooit verticaal voor werkzaamheden zoals het maaien van graskanten of snoeien van heggen.



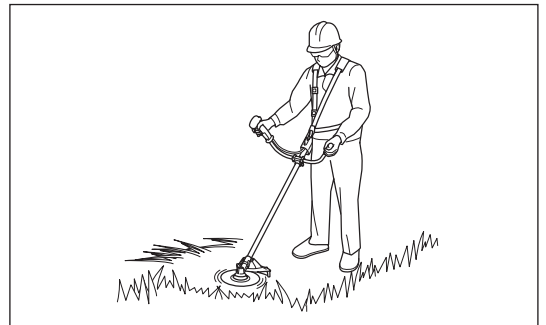
Trillingen

- Personen met een slechte bloedsomloop die worden blootgesteld aan sterke trillingen, kunnen verwondingen aan bloedvaten of het zenuwstelsel oplopen. Trillingen kunnen de volgende symptomen veroorzaken in de vingers, handen of polsen: "slapen" (ongevoeligheid), tintelingen, pijn, stekend gevoel, veranderen van huidskleur of van de huid. Als een van deze symptomen zich voordoet, raadpleegt u uw huisarts!
- Om de kans op deze "witte-vingerziekte" te verkleinen, houdt u uw handen warm tijdens het werk en onderhoudt u het gereedschap en de accessoires goed.



Onderhoudsinstructies

- Laat uw gereedschap onderhouden door ons erkende servicecentrum dat altijd uitsluitend gebruikmaakt van originele vervangingsonderdelen. Onjuiste reparatie en slecht onderhoud kan de levensduur van het gereedschap verkorten en de kans op ongevallen vergroten.
- De toestand van de maaier, met name van het snijgarnituur en de veiligheidsuitrusting, naast het schouderdraagstel, moeten worden gecontroleerd voor aanvang van de werkzaamheden. Besteed bijzondere aandacht aan de metalen bladen die correct moeten worden geslepen.
- Schakel de motor uit en trek de bougiekap eraf wanneer u het snijgarnituur vervangt of slijpt, en wanneer u de maaier of het snijgarnituur schoonmaakt.



Probeer nooit beschadigde snij- of zaagmunitie recht te trekken of te lassen.

- Denk aan het milieu. Vermijd onnodig gebruik van de gashendel zodat minder uitlaatgassen en geluid worden geproduceerd. Stel de carburateur goed af.
- Maak het gereedschap regelmatig schoon en controleer of alle bouten en moeren stevig zijn vastgedraaid.
- Onderhoud of bewaar het gereedschap niet in de buurt van open vuur.
- Bewaar het gereedschap altijd in een afgesloten ruimte en met een lege brandstoftank.
- Wanneer u het gereedschap reinigt, onderhoudt of opbergt, bevestigt u altijd de beschermkap op het metalen blad.



Volg de relevante instructies voor het voorkomen van ongevallen die door de relevante beroepsverenigingen en verzekeringsmaatschappijen zijn uitgegeven.

Breng geen wijzigingen aan het gereedschap aan, omdat hiermee uw veiligheid gevaar loopt.

Het uitvoeren van onderhoud of reparaties door de gebruiker is beperkt tot de activiteiten die in de gebruiksaanwijzing zijn beschreven. Alle andere werkzaamheden moet worden uitgevoerd door een erkend servicecentrum. Gebruik uitsluitend originele vervangingsonderdelen en accessoires die zijn vervaardigd en geleverd door DOLMAR.

Het gebruik van niet-goedgekeurde accessoires en gereedschappen leidt tot een verhoogde kans op ongevallen.

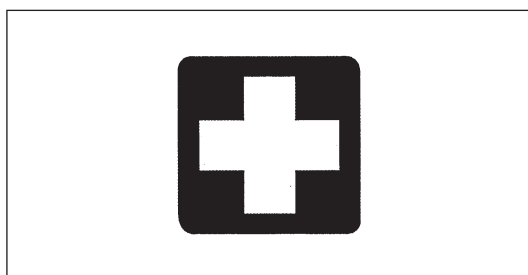
DOLMAR aanvaardt geen enkele aansprakelijkheid voor ongevallen of schade veroorzaakt door het gebruik van niet-goedgekeurde snijmunitie, bevestigingsmiddelen voor snijmunitie of accessoires.

EHBO

Zorg dat er altijd een EHBO-does beschikbaar is in de buurt waar er wordt gemaaid om eerste hulp te bieden bij eventuele ongevallen. Vervang onmiddellijk elk item dat uit de EHBO-does is genomen.

Geef de volgende informatie wanneer u hulp inroept:

- Plaats van het ongeval
- Beschrijving van het ongeval
- Aantal gewonden
- Soort letsels
- Uw naam



Alleen voor Europese landen

EU-verklaring van conformiteit

Makita verklaart dat de volgende machine(s):

Aanduiding van de machine: Benzinebosmaaier

Modelnr./Type: MS-34 U, MS-34 C

Voldoen aan de volgende Europese richtlijnen:

2000/14/EG en 2006/42/EG

Deze zijn gefabriceerd in overeenstemming met de volgende normen of genormaliseerde documenten:

EN ISO 11806-1

Het technische bestand volgens 2006/42/EG is verkrijgbaar bij:

Makita, Jan-Baptist Vinkstraat 2, 3070, België

De conformiteitsbeoordelingsprocedure vereist door Richtlijn 2000/14/EG was in overeenstemming met annex V.

MS-34 U (met nylondraad-snijkop):

Gemeten geluidsvermogeniveau: 109,1 dB

Gegarandeerd geluidsvermogeniveau: 110 dB

MS-34 U (met snijblad):

Gemeten geluidsvermogeniveau: 105,8 dB

Gegarandeerd geluidsvermogeniveau: 106 dB

MS-34 C (met nylondraad-snijkop):

Gemeten geluidsvermogeniveau: 110,4 dB

Gegarandeerd geluidsvermogeniveau: 112 dB

MS-34 C (met snijblad):

Gemeten geluidsvermogeniveau: 105,9 dB

Gegarandeerd geluidsvermogeniveau: 107 dB

6. 6. 2014



Yasushi Fukaya
Directeur

Makita, Jan-Baptist Vinkstraat 2, 3070, België

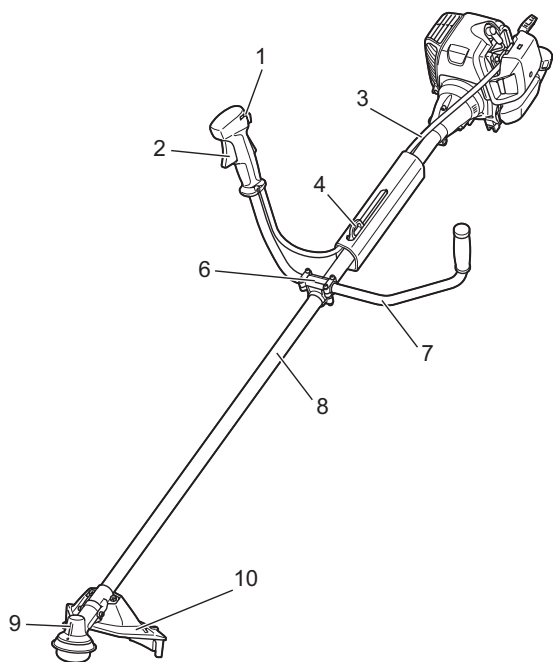
TECHNISCHE GEGEVENS

Model			MS-34 U		MS-34 C		
Type handgreep			Fietsstuurhandgreep		Beugelhandgreep		
Afmetingen: lengte x breedte x hoogte (zonder snijgarnituur)			mm	1.815 x 650 x 435	1.815 x 330 x 270		
Gewicht (zonder beschermkap en snijgarnituur)			kg	6,4	6,2		
Inhoud (brandstoftank)			l	0,75			
Cilinderinhoud			cm ³	34,0			
Maximaal motorvermogen			kW	1,15 bij 7.000 min ⁻¹			
Motortoerental bij aanbevolen max. astoerental			min ⁻¹	10.000			
Maximaal astoerental (bijbehorend)			min ⁻¹	6.800			
Stationair toerental			min ⁻¹	2.800			
Toerental op aangrijppunt van koppeling			min ⁻¹	4.100			
Carburateur			type	WALBLO WYJ			
Bougie			type	NGK BPMR7A			
Elektrodenafstand			mm	0,6 - 0,7			
				NYLONDRAAD-SNIJKOP	METALEN SNIJBLAD	NYLONDRAAD-SNIJKOP	METALEN SNIJBLAD
Trillingen volgens ISO 22867	Rechterhandgreep (Achterhandgreep)	$a_{hv\ eq}$	m/s ²	4,1	4,0	4,6	4,3
		Onzekerheid (K)	m/s ²	1,0	0,5	2,0	1,0
	Linkerhandgreep (Voorhandgreep)	$a_{hv\ eq}$	m/s ²	4,4	4,3	5,5	5,4
		Onzekerheid (K)	m/s ²	1,8	1,2	1,4	1,0
Gemiddeld geluidsdrukniveau volgens ISO 22868		$L_{PA\ eq}$	dB (A)	95,0	92,7	95,9	91,3
		Onzekerheid (K)	dB (A)	2,5	0,7	1,0	1,1
Gemiddeld geluidsvermogeniveau volgens ISO 22868		$L_{WA\ eq}$	dB (A)	109,1	105,8	110,4	105,9
		Onzekerheid (K)	dB (A)	1,0	0,4	1,6	0,8
Mengverhouding (benzine: tweetaktolie van DOLMAR)			50 : 1				
Snijgarnituren (diameter snijblad)			mm	255 (met 4-tands snijblad)			
Overbrengingsverhouding van tandwielen			13/19				

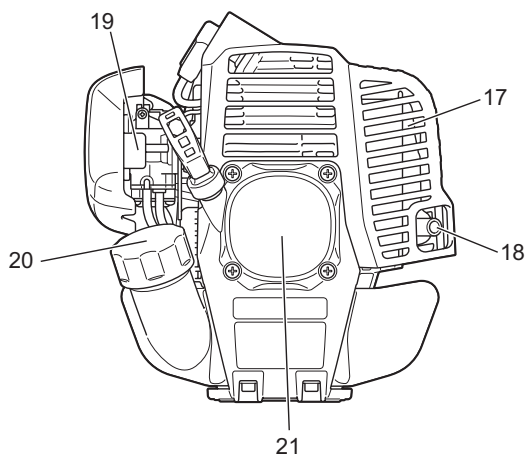
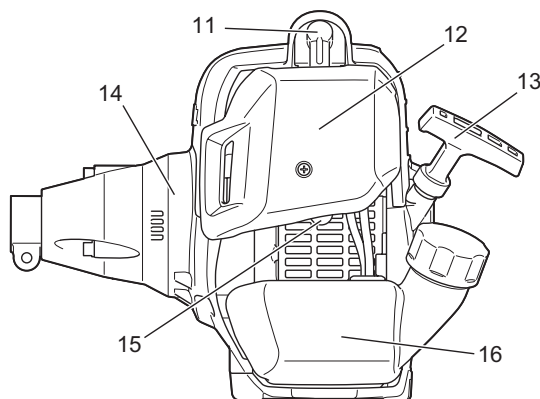
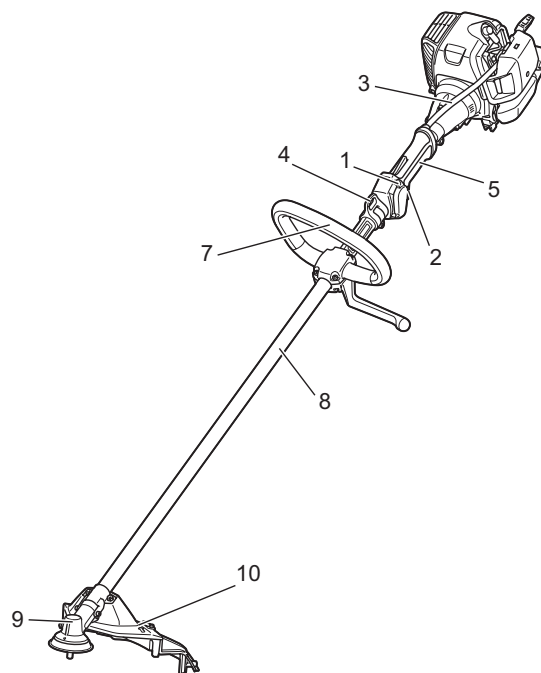
- Als gevolg van ons doorlopende onderzoeks- en ontwikkelingsprogramma, zijn de technische gegevens van dit gereedschap onderhevig aan veranderingen zonder voorafgaande kennisgeving.
- De technische gegevens kunnen van land tot land verschillen.

NAMEN VAN ONDERDELEN

MS-34 U



MS-34 C



NAMEN VAN ONDERDELEN	
1	I-O-schakelaar (start/stop)
2	Gashendel
3	Gaskabel
4	Bevestigings oog
5	Achterhandgreep
6	Handgreepbevestiging
7	Handgreep
8	Schacht
9	Tandwielhuis
10	Beschermkap van snijgarnituur
11	Bougie
12	Luchtfilter
13	Trekstarthandgreep
14	Koppelingshuis
15	Brandstofhandpomp
16	Brandstoftank
17	Uitlaatdemper
18	Uitlaatpijp
19	Chokehendel
20	Brandstofvuldop
21	Trekstartinrichting

DE HANDGREEP MONTEREN

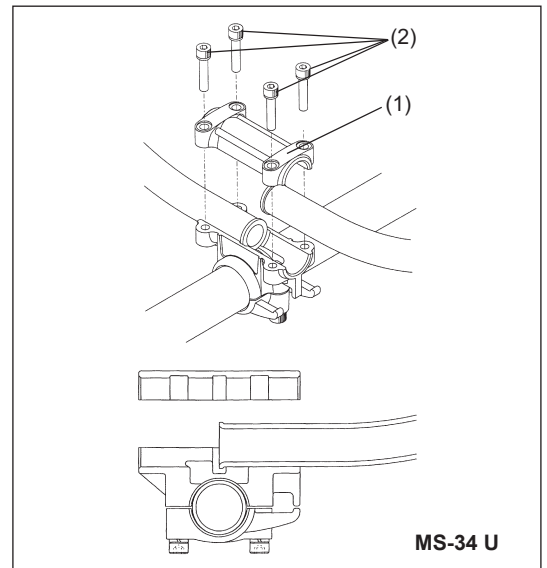
LET OP: Voordat u werkzaamheden uitvoert aan het gereedschap, moet u altijd de motor uitzetten en de bougiekap van de bougie aftrekken.

Draag altijd veiligheidshandschoenen!

LET OP: Start de motor alleen nadat hij volledig is gemonteerd.

Voor modellen met een fietsstuurhandgreep

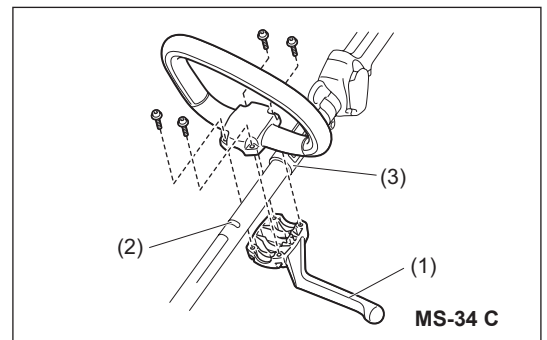
- Leg de handgreep met de gashendel in het rechterdeel van de handgreepbevestiging (om vast te houden met uw rechterhand) en de andere handgreep in het linkerdeel.
- Leg de verdikte rand van de handgreep in de groef in de handgreepbevestiging en bevestig het bovendeel (1) van de handgreepbevestiging provisorisch met behulp van de vier bouten M5 x 25 (2).
- Stel de handgreep af onder een hoek die gemakkelijk werkt en draai daarna de bouten (2) gelijkmatig vast aan de linker- en rechterkant.



Voor modellen met een beugelhandgreep

- Monteer een beschermplaat (1) aan de linkerkant van het gereedschap tezamen met de handgreep ter bescherming van de gebruiker.
- Zorg ervoor dat de beschermplaat/beugelhandgreep zich tussen de afstandshouder en de pijlmarkeringen (2) bevindt.

⚠ WAARSCHUWING: Verwijder of verkort de afstandshouder (3) niet. De afstandshouder zorgt voor een bepaalde afstand tussen beide handen. Als de beschermplaat/beugelhandgreep dicht op het andere handvat zou staan dan de lengte van de afstandshouder, kunt u de controle over het gereedschap verliezen waardoor ernstig persoonlijk letsel kan ontstaan.



OPMERKING:

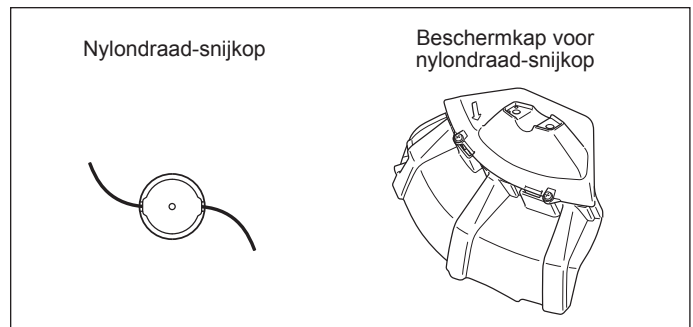
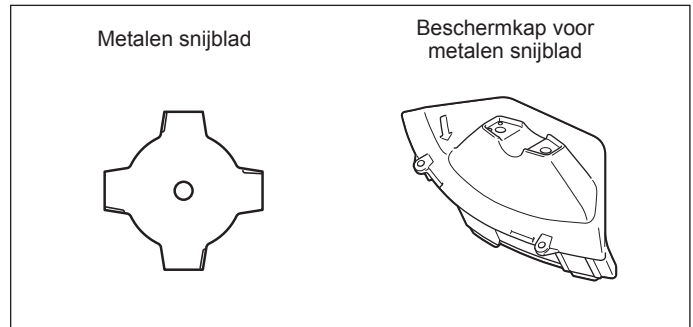
- In sommige landen wordt geen afstandshouder bijgeleverd. Monteer in dat geval de beschermplaat/beugelhandgreep tussen de pijlmarkeringen.

DE BESCHERMKAP MONTEREN

In naleving van de toepasselijke veiligheidsregels mogen uitsluitend de gereedschap/beschermkap-combinaties worden gebruikt die in de afbeelding worden aangegeven.

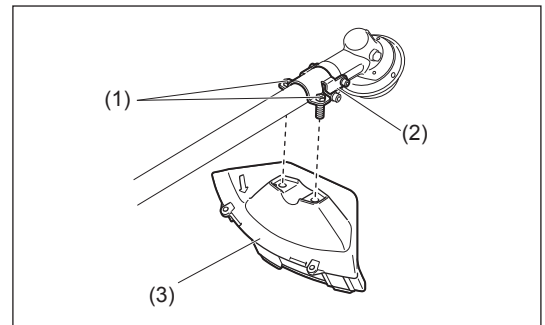
LET OP: Voor uw veiligheid en om te voldoen aan de voorschriften voor ongevallenpreventie, moet u altijd de geschikte beschermkap monteren. Het is verboden het gereedschap te gebruiken zonder dat de beschermkap is gemonteerd.

OPMERKING: De standaardcombinatie van het snijgarnituur verschilt van land tot land.



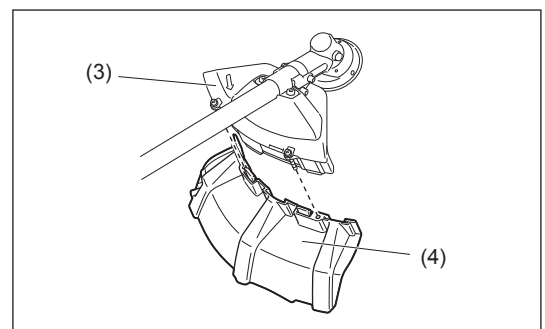
– Bij gebruik van het metalen snijblad, monteer de beschermkap (3) met behulp van de twee bouten (1) op de klem (2).

OPMERKING: Draai de linker- en rechterbout gelijkmatig vast zodat de opening tussen de klem (2) en de beschermkap (3) evenwijdig blijft. Als u dit niet doet, is het mogelijk dat de beschermkap niet werkt zoals bedoeld.



– In het geval de nylondraad-snijkop wordt gebruikt, moet u de beschermkap van de nylondraad-snijkop (4) monteren op de beschermkap van het metalen snijblad (3).

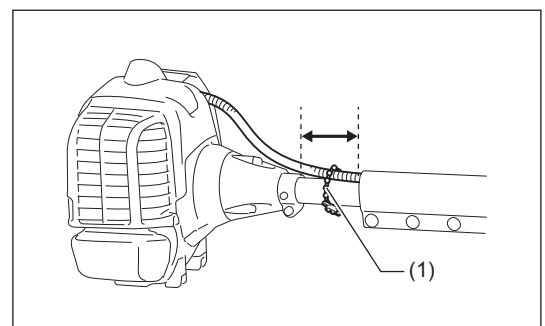
LET OP: Wees voorzichtig uzelf niet te verwonden aan het mesje voor het afsnijden van de nylondraad.



(Alleen voor model MS-34 U)

De kabelband bevestigen

Bevestig de gaskabel met behulp van de kabelband (1) aan de schacht in het gebied aangegeven in de afbeelding.



HET SNIJGARNITUUR MONTEREN

Verzeker u ervan uitsluitend originele metalen snijbladen of nylondraad-snijkoppen van DOLMAR te gebruiken.

- Het metalen snijblad moet goed schoongemaakt zijn en vrij zijn van barsten of breuken. Als het metalen snijblad tijdens het gebruik een steen raakt, moet u de motor onmiddellijk uitschakelen en het snijblad controleren.
- Het metalen snijblad moet na elke drie uur gebruik worden schoongemaakt of vervangen.
- Als de nylondraad-snijkop een hard voorwerp zoals een steen raakt tijdens het gebruik, moet u de motor onmiddellijk uitzetten en de nylondraad-snijkop controleren.

LET OP: Voor uw veiligheid en om te voldoen aan de voorschriften voor ongevallenpreventie, moet u altijd de geschikte beschermkap monteren.

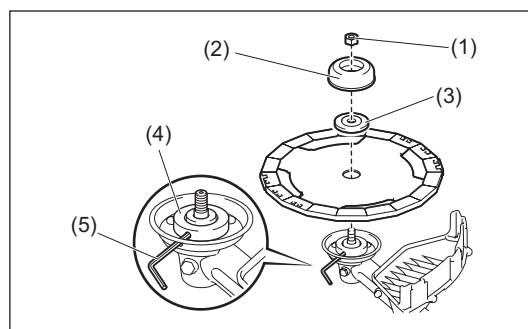
Het is verboden het gereedschap te gebruiken zonder dat de beschermkap is gemonteerd.

De buitendiameter van het snijblad moet 255 mm (10 inch) of kleiner zijn. Gebruik nooit een snijblad met een buitendiameter groter dan 255 mm (10 inch).

LET OP: Controleer vóór gebruik of het snijgarnituur stevig gemonteerd is.

Draai het gereedschap ondersteboven zodat u het metalen snijblad of de nylondraad-snijkop gemakkelijk kunt vervangen.

- Steek de inbussleutel (5) in de opening van het tandwielhuis en draai de ontvangerring (4) met de inbussleutel tot deze vergrendeld wordt.
- Maak de moer (1) (met linksdraaiend schroefdraad) los met de dopsleutel en verwijder de moer (1), de beker (2) en de klemring (3).

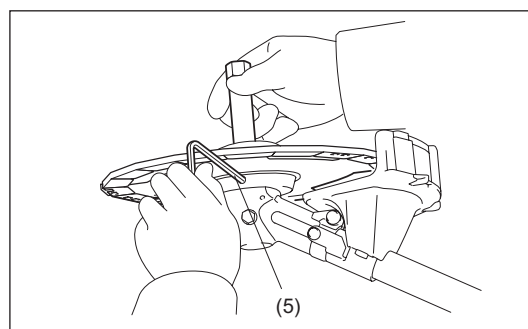


Het metalen snijblad monteren terwijl de inbussleutel (5) er nog in zit

- Monteer het metalen snijblad op de as zodat de nok op de ontvangerring (4) past in de uitsparing in het asgat van het metalen snijblad. Monteer de klemring (3), beker (2) en zet het metalen snijblad vast met de moer (1). [Aanhaalkoppel: 13 - 23 Nm]

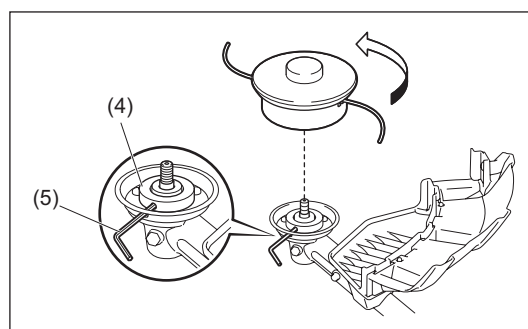
OPMERKING: Draag altijd veiligheidshandschoenen wanneer u het metalen snijblad hanteert.

OPMERKING: De bevestigingsmoer van het metalen snijblad (met veering) is een verbruiksartikel. Als u slijtage of vervorming van de veering opmerkt, moet u de moer vervangen.



De nylondraad-snijkop monteren

- De klemring (3), de beker (2) en de moer (1) zijn niet nodig voor het monteren van de nylondraad-snijkop. De nylondraad-snijkop moet bovenop de ontvangerring (4) komen.
- Steek de inbussleutel (5) in de opening van het tandwielhuis en draai de ontvangerring (4) met de inbussleutel tot deze vergrendeld wordt.
- Schroef daarna de nylondraad-snijkop op de as door deze linksom te draaien.
- Haal de inbussleutel (5) eruit.



Draairichting



BRANDSTOF EN BIJVULLEN

Omgaan met brandstof

Tijdens het omgaan met de brandstof moet u uiterste voorzichtigheid betrachten. Brandstof kan stoffen bevatten die ook in oplosmiddelen voorkomen. Vul brandstof bij in een goed geventileerd vertrek of buiten. Adem de brandstofdampen niet in en vermijd dat de brandstof of olie in aanraking komt met uw huid. Minerale-olieproducten ontvetten uw huid. Als uw huid bij herhaling en gedurende een langere tijdsduur in aanraking komt met deze stoffen, kunnen diverse huidandoeningen ontstaan. Daarnaast zijn ook allergische reacties bekend. Uw ogen kunnen geïrriteerd raken door contact met benzine, olie, enz. Als er olie in uw ogen terecht komt, moet u ze onmiddellijk spoelen met helder water. Als uw ogen dan nog steeds geïrriteerd zijn, moet u onmiddellijk een arts raadplegen.

Benzine-oliemengsel

De motor van de bosmaaier is een zeer efficiënte tweetaktmotor. Hij loopt op een mengsel van benzine en tweetaktmotorolie. De motor is ontworpen voor gewone loodvrije benzine met een minimaal octaangehalte van 91 RON. Als dergelijke benzine niet beschikbaar is, mag u benzine met een hoger octaangehalte gebruiken. Dit zal geen effect hebben op de motor, maar kan wel leiden tot slecht gedrag tijdens het gebruik. Een vergelijkbare situatie doet zich voor bij gebruik van loodhoudende benzine. Voor optimale prestaties van de motor en om uw gezondheid en het milieu te beschermen, gebruikt u alleen loodvrije benzine!

Om de motor te smeren gebruikt u een tweetaktmotorolie (kwaliteitsklasse: JASO FC of ISO EGD) en voegt u deze toe aan de benzine. De motor is ontworpen voor gebruik met tweetaktmotorolie van DOLMAR bij een mengverhouding van 50:1 om het milieu te beschermen. Daarnaast wordt een lange levensduur en een betrouwbare werking met een minimale uitstoot aan uitlaatgassen gegarandeerd. Het is absoluut noodzakelijk een mengverhouding van 50:1 met tweetaktmotorolie van DOLMAR te gebruiken. Anders kan een betrouwbare werking van de bosmaaier niet worden gegarandeerd.

De juiste mengverhouding:

Meng 50 delen benzine met 1 deel tweetaktmotorolie van DOLMAR (zie tabel rechts).

OPMERKING: Bij het bereiden van het benzine-oliemengsel, mengt u eerst de volledige hoeveelheid olie met de helft van de benodigde hoeveelheid benzine in een goedgekeurde tank die voldoet aan alle normen van de plaatselijk geldende regelgeving, en vult u daarna de rest van de benodigde hoeveelheid benzine bij. Schud het mengsel stevig voordat u het bijvult in de brandstoftank van de bosmaaier. Het is met het oog op de veilige werking onverstandig om meer motorolie toe te voegen dan gespecificeerd is. Dit leidt alleen maar tot een hogere productie van verbrandingsresten die het milieu vervuilen en zowel het uitlaatkanaal in de cilinder, de bougie, als de uitlaatdemper verstopen. Bovendien zal het brandstofverbruik oplopen en zullen de motorprestaties afnemen.

Brandstof bijvullen

Vul nooit brandstof bij in een afgesloten, ongeventileerd vertrek.

De motor moet uitgeschakeld zijn!

- Maak het gebied rondom de brandstofvuldop grondig schoon om te voorkomen dat vuil in de brandstoftank (1) komt.
 - Draai de brandstofvuldop (2) los en vul brandstof bij in de brandstoftank.
 - Vul de brandstoftank nooit helemaal tot bovenaan.
 - Draai de brandstofvuldop er stevig op.
 - Veeg de brandstofvuldop en de brandstoftank na het bijvullen van brandstof met een adsorberende doek!
- Laat de doeken drogen en gooi ze weg in een geschikte afvalbak.

OPMERKING: In sommige landen zit de brandstofvuldop niet vast (3) aan het gereedschap.



Opslag van brandstof

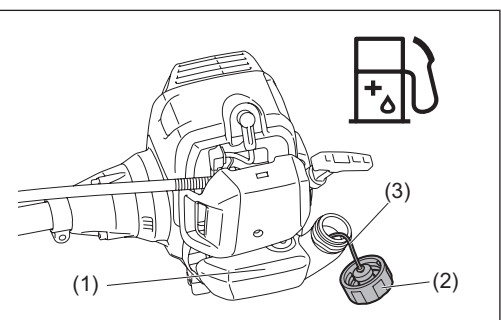
Brandstof kan niet gedurende een onbepaalde tijd worden bewaard. Koop slechts de hoeveelheid die nodig is voor een gebruikperiode van 4 weken. Gebruik alleen goedgekeurde brandstofopslag tanks.



Houd u aan de veiligheidsinstructies op pagina 88!



Benzine (loodvrije superbenzine)	50:1
	
1.000 cc (1 l) 5.000 cc (5 l) 10.000 cc (10 l)	20 cc 100 cc 200 cc



CORRECT OMGAAN MET HET GEREEDSCHAP

WAARSCHUWING: Als u geen complete controle over het gereedschap behoudt, kan dit ernstige lichamelijke letsels of de DOOD veroorzaken.

De schouderriem bevestigen

- Pas de lengte van de schouderriem zo aan, dat het snijblad parallel aan de grond kan worden gehouden.

Losmaken

Voor model MS-34 U

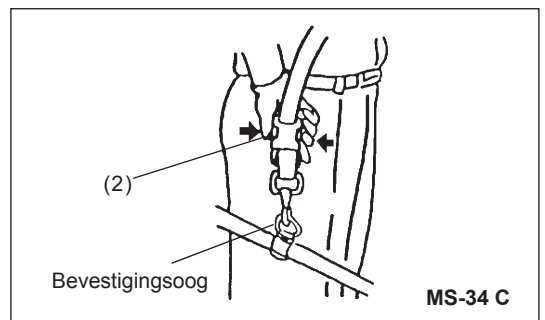
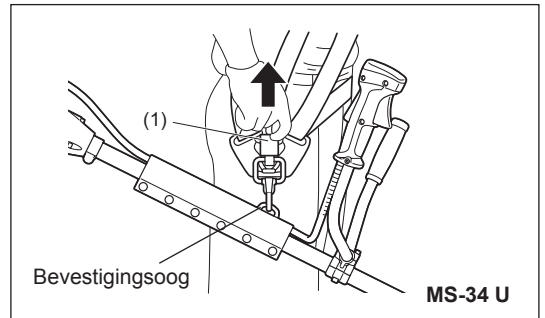
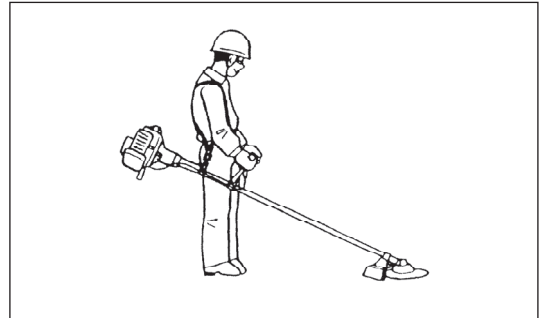
- Trek in een noodgeval de haak (1) omhoog om het gereedschap van u los te maken.

Let er goed op dat u op dat moment de controle over het gereedschap behoudt. Zorg ervoor dat het gereedschap zich niet in uw richting of in de richting van iemand die in de buurt staat beweegt.

Voor model MS-34 C

- In geval van nood, druk de knoppen (2) aan beide zijanten in zodat het gereedschap los komt van uw lichaam.

Let er goed op dat u op dat moment de controle over het gereedschap behoudt. Zorg ervoor dat het gereedschap zich niet in uw richting of in de richting van iemand die in de buurt staat beweegt.



TIPS VOOR GEBRUIK EN PROCEDURE VOOR STOPPEN

LET OP: Volg de toepasselijke voorschriften voor ongevallenpreventie!

STARTEN

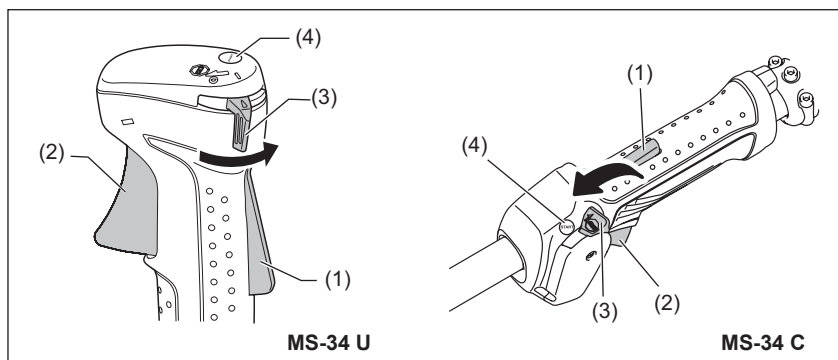
WAARSCHUWING: Let erop dat het snijgereedschap onmiddellijk begint te draaien nadat de motor is gestart. Zorg ervoor dat het snijgereedschap geen harde voorwerpen, zoals takken, stenen, enz., raakt.

LET OP:

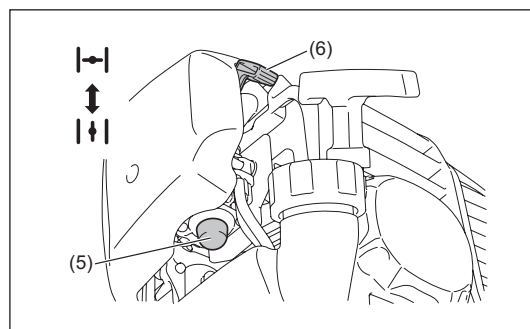
- Houd ten minste 3 meter afstand tot de plaats waar brandstof is bijgevuld. Plaats het gereedschap op de grond en let er daarbij op dat het snijgereedschap niet de grond of enig ander voorwerp raakt.
- Trek nooit door tot aan het einde van het trekstartkoord. Nadat aan de trekstarthandgreep is getrokken, mag u hem niet onmiddellijk loslaten. Houd de trekstarthandgreep vast tot het trekstartkoord is opgewonden in de trekstartinrichting.

A: Startprocedure bij koude motor

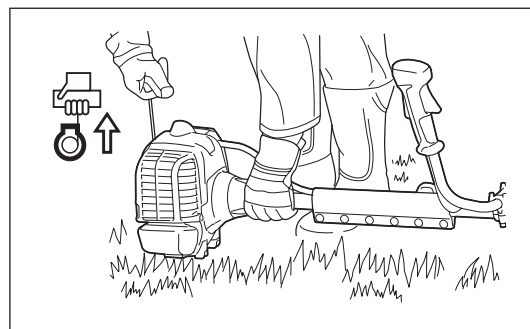
- 1) Plaats het gereedschap op een vlakke ondergrond.
- 2) Neem de handgreep vast (de veiligheidsontgrendeling (1) wordt ontgrendeld door het vastpakken).
- 3) Knijp de gashendel (2) in en houd deze ingeknepen.
- 4) Zet de I-O-schakelaar (3) in de stand START (4). Dit plaatst de gashendel in de stand halfgasvergrendeling.



- 5) Druk meerdere keren (7 tot 10 keer) voorzichtig op de brandstofhandpomp (5) totdat de brandstof in de brandstofhandpomp stroomt.
- 6) Zet de chokehendel (6) in de bovenste stand (|←| - choke dicht).



- 7) Houd het gereedschap met uw linkerhand stevig vast.
- 8) Trek voorzichtig aan de trekstarthandgreep tot u de compressieweerstand voelt. Trek er daarna krachtig aan.
- 9) Herhaal de startbediening tot u de eerste ontstekingen hoort.
- 10) Nadat de motor is gestart, zet u de chokehendel terug in de stand “|↑| - choke open”.
- 11) Zodra de motor start, pakt u onmiddellijk de handgreep vast (de veiligheidsontgrendeling wordt ontgrendeld door het vastpakken) en knijp de gashendel een beetje in en laat hem daarna los. (Hierdoor wordt de stand halfgasvergrendeling ontgrendeld en gaat de motor stationair draaien.)
- 12) Laat de motor ongeveer één minuut draaien op een gemiddeld toerental voordat u volgas geeft.



B: Startprocedure bij warme motor

– Hetzelfde als hierboven beschreven, behalve het gebruik van de chokehendel (de chokehendel blijft staan in de stand “|↑| - choke open”).

OPMERKING:

In geval van een overmatige brandstoftoevoer, verwijdert u de bougie en trekt u langzaam aan de trekstarthandgreep om overtollige brandstof te verwijderen. Maak ook de elektroden van de bougie droog.

Voorzichtig tijdens gebruik: Als de gashendel volledig wordt ingeknepen tijdens onbelast bedrijf, neemt het motortoerental toe tot 10.000 toeren min⁻¹ of meer.

Laat de motor nooit op een hoger toerental draaien dan nodig is. Laat de motor draaien op een toerental van ongeveer 6.000 tot 8.000 toeren min⁻¹.

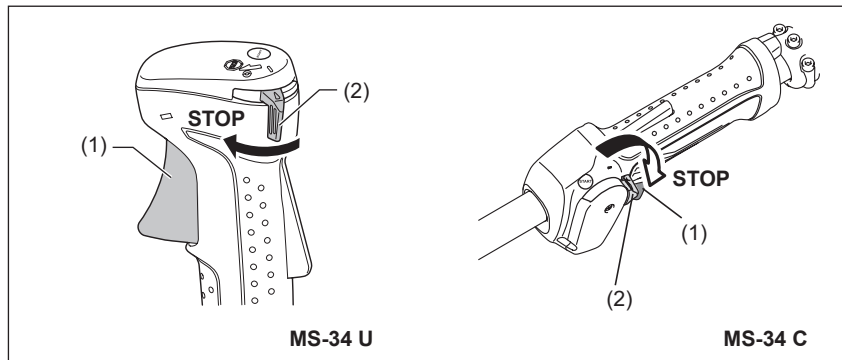
STOPPEN

- 1) Laat de gashendel (1) helemaal los.
- 2) Nadat het motortoerental is afgenomen, zet u de I-O-schakelaar (2) in de stand STOP.

LET OP:

Denk eraan dat het snijgarnituur niet onmiddellijk stilstaat.

Wacht tot het helemaal tot stilstand is gekomen.

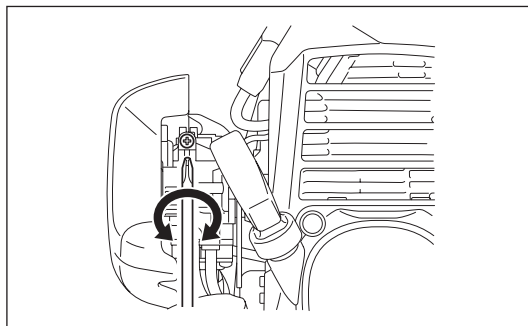


HET STATIONAIR TOERENTAL AFSTELLEN

Als het nodig is om het stationair toerental af te stellen, doet u dit met behulp van de stelschroef op de carburateur.

HET STATIONAIR TOERENTAL CONTROLEREN

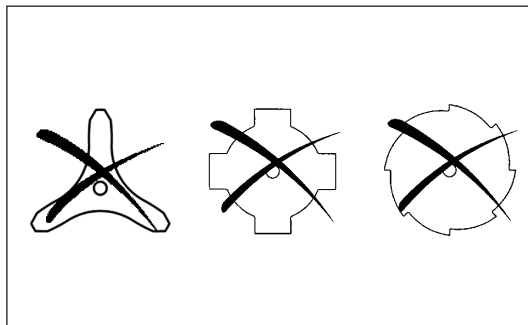
- Stel het stationair toerental af op 2.800 toeren min^{-1} .
Als het nodig is om het stationair toerental te veranderen, gebruikt u een kruiskopschroevendraaier om de schroef te draaien.
- Om het stationair toerental te verhogen, draait u de stelschroef rechtsom.
Om het stationair toerental te verlagen, draait u de stelschroef linksom.
- De carburateur is in de fabriek afgesteld. Echter, na langdurig gebruik moet het stationair toerental opnieuw worden afgesteld.



HET SNIJGARNITUUR SLIJPEN

LET OP: De snijgarnituren aangegeven in de afbeelding mogen niet worden geslepen. Het handmatig slijpen zal resulteren in onbalans van het snijgarnituur, waardoor trillingen zullen ontstaan en het gereedschap schade kan oplopen.

OPMERKING: Om de levensduur van het snijblad te verlengen, kan dit eenmalig worden omgekeerd, totdat beide snijranden bot zijn geworden.



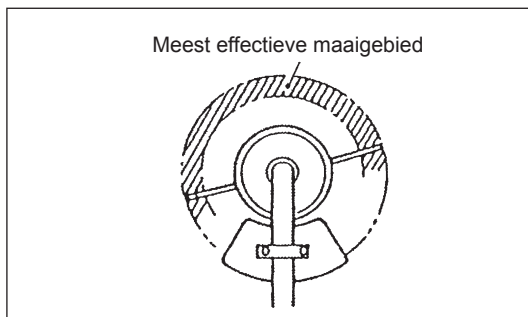
NYLONDRAAD-SNIJKOP

De nylondraad-snijkop is een dubbele-draadkop uitgerust met een stoot-aanvoermechanisme.

De nylondraad-snijkop voert de nylondraad uit door met de kop van de spoel op de grond te tikken.

Bediening

- Verhoog het toerental van de nylondraad-snijkop naar ongeveer 6.000 toeren min^{-1} .
Stoot de nylondraad-snijkop licht tegen de grond.
- Het meest effectieve maaigebied wordt weergegeven door het gearceerde deel.
- Als de nylondraad niet wordt uitgevoerd, volgt u de procedures die zijn beschreven onder "De nylondraad vervangen" om de nylondraad op te wikkelen/te vervangen.

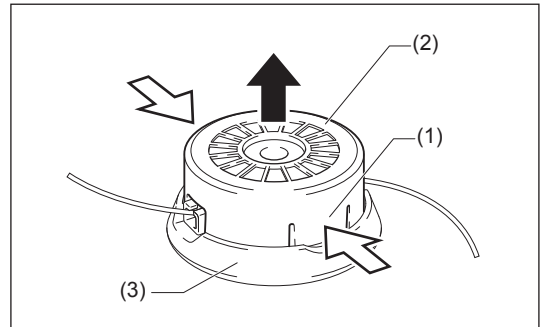


De nylondraad vervangen (STOOT-AANVOER)

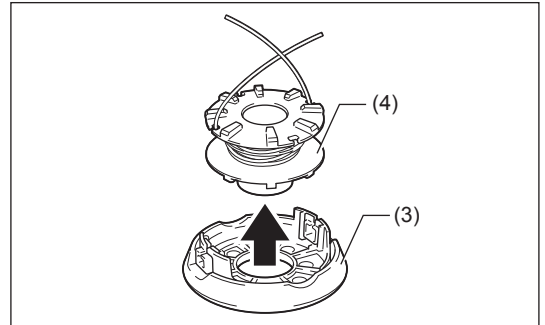
⚠ WAARSCHUWING:

- Controleer of het deksel van de nylondraad-snijkop goed op de behuizing is bevestigd, zoals hieronder beschreven. Als u het deksel niet stevig bevestigt, kan de nylondraad-snijkop uit elkaar vliegen en ernstig persoonlijk letsel veroorzaken.

1. Druk de vergrendelnokken (1) van de behuizing (2) naar binnen om het deksel (3) eraf te tillen.

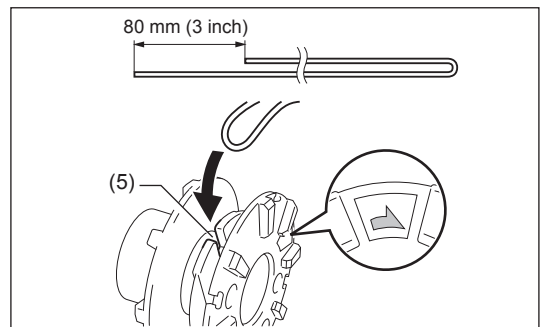


2. Haal de nylondraad uit het oogje. Verwijder de spoel (4) vanaf het deksel. Gooi eventueel resterende nylondraad weg.

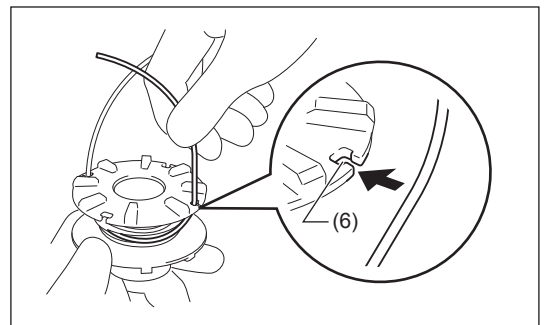


3. Haak het midden van de nieuwe nylondraad in de inkeping (5) in het midden van de spoel tussen de 2 kanalen.

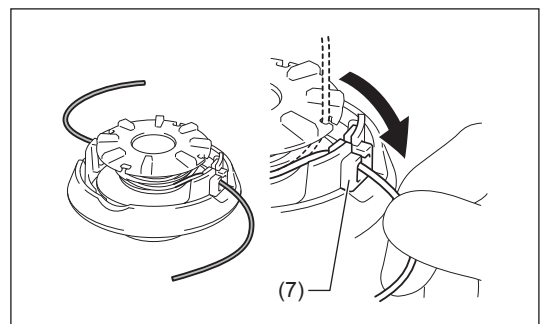
Eén uiteinde van de nylondraad moet ongeveer 80 mm (3 inch) langer zijn dan het andere uiteinde. Wikkel beide draadhelften stevig om de spoel in de richting van de pijlmarkering op de spoel.



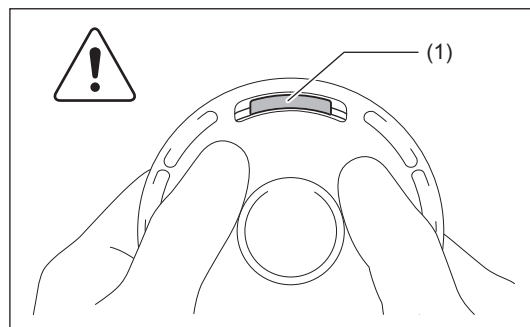
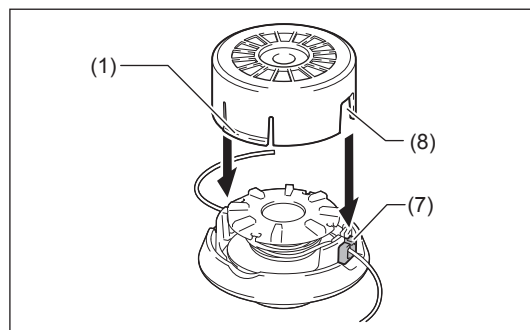
4. Wikkel op 100 mm (4 inch) na de volledige lengte van de nylondraad op de spoel op, en haak de uiteinden tijdelijk in de inkepingen (6).



5. Plaats de spoel zodanig op het deksel dat de inkepingen uitgelijnd zijn met de oogjes (7). Haal de uiteinden van de nylondraad uit hun tijdelijke posities en haal de nylonraden door de oogjes.



6. Lijn de vierkante uitsparingen (8) in de behuizing uit met de oogjes (7). Druk daarna de behuizing stevig op het deksel zodat deze wordt vergrendeld. Controleer of de vergrendelnokken (1) zich volledig spreiden in het deksel.



ONDERHOUDSINSTRUCTIES

LET OP: Voordat u werkzaamheden uitvoert aan het gereedschap, moet u altijd de motor uitzetten en de bougiekap van de bougie aftrekken (zie "De bougie controleren").

Draag altijd veiligheidshandschoenen!

Om een lange levensduur te garanderen en eventuele schade aan het gereedschap te voorkomen, moeten de volgende onderhoudswerkzaamheden regelmatig uitgevoerd worden.

Dagelijkse controle en onderhoud

- Controleer het gereedschap voor het gebruik op losse bouten of ontbrekende onderdelen. Let vooral op of het metalen snijblad of de nylondraad-snijkop stevig is bevestigd.
- Controleer voor gebruik altijd op verstopping van de koelluchtinlaatopening en de koelribben van de cilinder. Maak deze plaatsen zo nodig schoon.
- Voer de volgende werkzaamheden dagelijks uit na het gebruik:
 - Maak de buitenkant van het gereedschap schoon en inspecteer het gereedschap op beschadigingen.
 - Maak het luchtfilter schoon. Als onder extreem stoffige omstandigheden wordt gewerkt, moet het filter meerdere keren per dag worden schoongemaakt.
 - Controleer het metalen snijblad of de nylondraad-snijkop op schade en controleer of het snijblad of de snijkop stevig bevestigd is.
 - Controleer of er voldoende verschil is tussen het stationair toerental en het aangrijptoerental om zeker te zijn dat het snijgarnituur stilstaat wanneer de motor stationair draait (verlaag zo nodig het stationair toerental).
- In het geval het gereedschap bij stationair toerental blijft draaien, neemt u contact op met het dichtstbijzijnde erkende servicecentrum.
- Controleer de werking van de I-O-schakelaar, de uit-vergrendeling, de gashendel, en de vergrendelingsknop.

HET LUCHTFILTER SCHOONMAKEN



WAARSCHUWING: Schakel de motor uit, blijf uit de buurt van open vuur en rook niet.

Controle- en reinigingsinterval: Dagelijks (iedere 10 bedrijfsuren)

- Zet met de chokehendel (4) de choke helemaal dicht en houd de carburateur vrij van stof of vuil.

De luchtfilterkap verwijderen

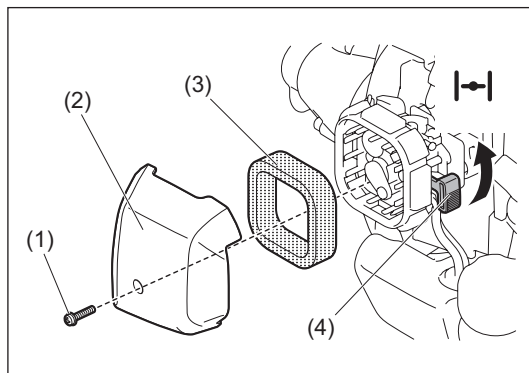
- Verwijder de schroef (1) en verwijder de luchtfilterkap (2).

Het luchtfilterelement schoonmaken

- Verwijder het luchtfilterelement (3) en tik ertegen om het vuil te verwijderen.
- In geval van ernstige vervuiling:
 - Verwijder het sponsfilterelement, was het in een oplossing van een schoonmaakmiddel in water en laat het volledig drogen.
- Nadat het luchtfilterelement is gedroogd, dompelt u het in tweetaktmotorolie en wringt u het uit om overtollige olie te verwijderen.
- Alvorens het sponsfilterelement te plaatsen, controleert u of de olie gelijkmatig over het luchtfilterelement is verdeeld. Overtollige olie kan leiden tot moeilijk starten.
- Veeg olie die rond de luchtfilterkap zit weg met een doek.

De luchtfilterkap bevestigen

- Plaats na het schoonmaken het sponsfilterelement terug. Plaats de luchtfilterkap terug en bevestig hem met de schroef.



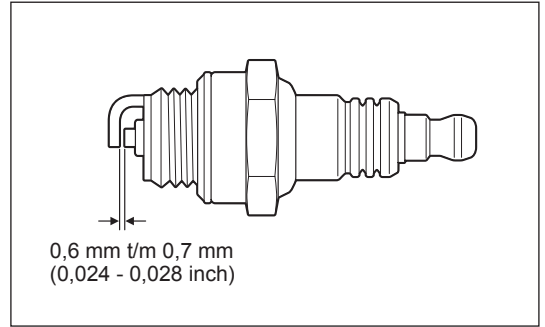
KENNISGEVING:

- Als er overmatig veel stof of vuil op het luchtfilter zit, moet u hem dagelijks schoonmaken. Vervuilde luchtfilterelementen verlagen het motorvermogen en bemoeilijken het starten van de motor.
- Verwijder de olie op de luchtfilterelementen. Als u blijft doorwerken terwijl de luchtfilterelementen vervuild zijn met olie, kan de olie buiten het luchtfilter terechtkomen en tot milieuvervuiling leiden.
- Plaats de luchtfilterelementen niet op de grond of op een vieze plaats. Er kan dan vuil of afval aan blijven plakken waardoor de motor kan worden beschadigd.
- Gebruik nooit brandstof om de luchtfilterelementen schoon te maken. Ze kunnen door de brandstof worden beschadigd.

DE BOUGIE CONTROLEREN

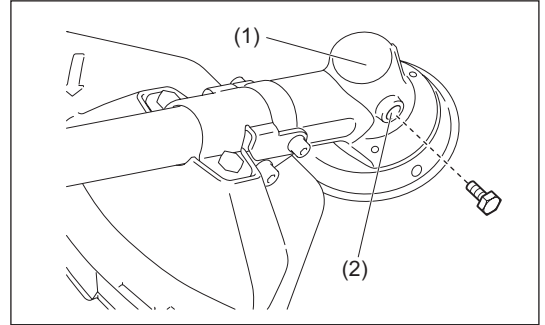
- Gebruik alleen de bijgeleverde moersleutel om de bougie te verwijderen of te monteren.
- De afstand tussen de twee elektroden van de bougie moet 0,6 tot 0,7 mm (0,024 - 0,028 inch) bedragen. Als de afstand te groot of te klein is, moet u deze aanpassen. Als de elektroden van de bougie verstopt of vervuild zijn, moet u deze grondig schoonmaken of de bougie vervangen. Plaats na controle de bougiekap goed terug, zoals aangegeven in de afbeelding.

LET OP: Raak de bougiekap nooit aan terwijl de motor draait (gevaar van elektrische schok door hoogspanning).



HET TANDWIELHUIS SMEREN

- Breng elke 30 uren smeervet (Shell Alvania 2 of gelijkwaardig) aan in het tandwielhuis (1) via de smeeropening (2). (Origineel DOLMAR-smeervet kan worden aangeschaft bij uw DOLMAR-dealer.)



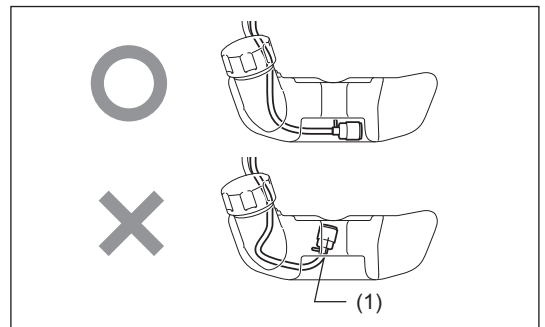
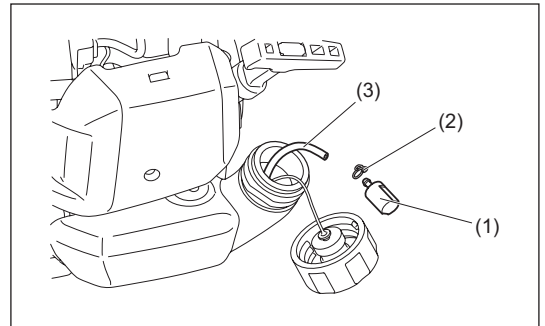
HET BRANDSTOFFILTER SCHOONMAKEN WAARSCHUWING: STRENG VERBODEN VOOR ONTBRANDBARE MATERIELEN

Controle-interval: Maandelijks (iedere 50 bedrijfsuren)

Zuigkop in brandstoftank

Controleer het brandstoffilter (1) regelmatig. Om het brandstoffilter te controleren, volgt u de onderstaande stappen:

1. Verwijder de brandstofvuldop en tap de brandstof af totdat de brandstoftank leeg is. Controleer de binnenkant van de brandstoftank op eventuele vreemde stoffen. Als u iets vindt, verwijdert u dit.
2. Gebruik een draadhaak om de zuigkop uit de brandstofvulopening te trekken.
3. Als het brandstoffilter enigszins verstopt is, maakt u het schoon. Om het schoon te maken, schudt u het en tikt u ertegen in de brandstof. Om beschadiging te voorkomen, knijpt u het niet uit en wrijft u er niet over. De brandstof die is gebruikt voor het schoonmaken moet worden weggegooid volgens de methode aangegeven in de regelgeving van uw land. Als het brandstoffilter hard of ernstig verstopt is, vervangt u het.
4. Na het controleren, schoonmaken of vervangen, steekt u het brandstoffilter op de brandstofslang (3) en zet u hem vast met behulp van de slangklem (2). Duw het brandstoffilter helemaal naar de bodem van de brandstoftank.



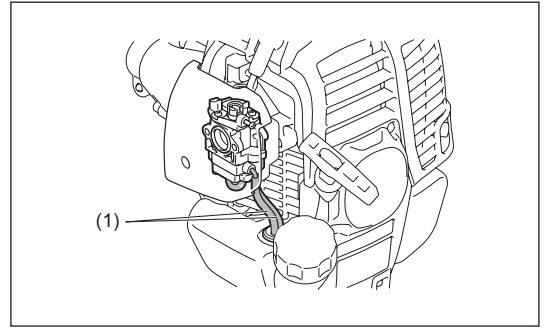
Een verstopt of beschadigd brandstoffilter kan leiden tot onvoldoende brandstoftoevoer en minder motorvermogen. Vervang het brandstoffilter ten minste iedere drie maanden om verzekerd te zijn van een goede brandstoftoevoer naar de carburateur.

DE BRANDSTOFLANG VERVANGEN

LET OP: STRENG VERBODEN VOOR ONTBRANDBARE MATERIELEN

Controle- en reinigingsinterval: Dagelijks (iedere 10 bedrijfsuren)
Vervanging: Jaarlijks (iedere 200 bedrijfsuren)

Vervang de brandstofslang (1) ieder jaar, ongeacht de gebruiksfrequentie. Brandstoflekkage kan brand veroorzaken. Als tijdens de inspectie een lekkage wordt gevonden, vervangt u de brandstofslang onmiddellijk.



DE BOUTEN, MOEREN EN SCHROEVEN INSPECTEREN

- Draai losse bouten, moeren, enz., weer vast.
- Controleer of de brandstofvuldop en olievuldop goed vastgedraaid zijn. Controleer op brandstof- en olie lekkage.
- Vervang beschadigde onderdelen door nieuwe voor een veilig gebruik.

DE ONDERDELEN SCHOONMAKEN

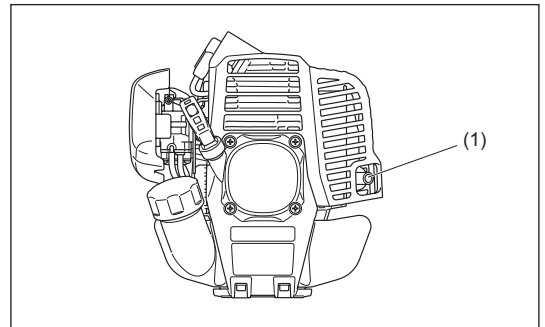
- Houd de motor altijd schoon door deze af te vegen met een poetsdoek.
- Houd de koelribben van de cilinder vrij van stof en vuil. Stof en vuil dat zich tussen de koelribben ophoopt, zal leiden tot het vastlopen van de zuiger.

DE AFDICHTINGEN EN PAKKINGEN VERVANGEN

Vervang de pakkingen en afdichtingen als de motor gedemonteerd is. Alle onderhouds- of afstelwerkzaamheden die niet in deze gebruiksaanwijzing zijn beschreven, mogen alleen worden uitgevoerd door een erkend servicecentrum.

DE UITLAATPOORT VAN DE UITLAATDEMPER SCHOONMAKEN

- Controleer de uitlaatpoort van de uitlaatdemper (1) regelmatig.
- Als deze verstopt is met koolafzettingen, schraapt u de afzettingen voorzichtig weg met een geschikt gereedschap.



OPSLAG

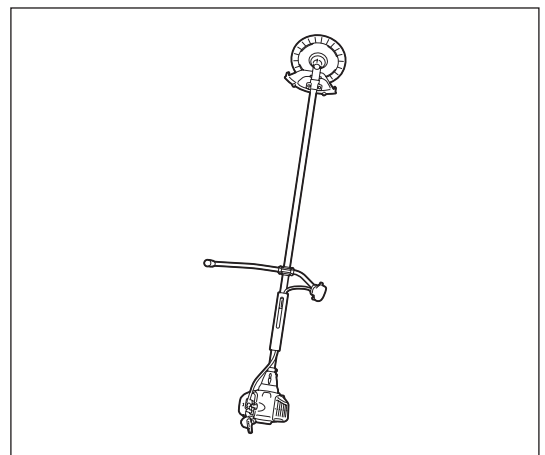


WAARSCHUWING: De motor is nog heet vlak nadat de motor is uitgeschakeld. Als u de brandstof gaat aftappen, wacht u voldoende lang om de motor te laten afkoelen nadat deze is uitgeschakeld. Anders kunt u uw huid verbranden of kan brand ontstaan.



GEVAAR: Als het gereedschap gedurende een lange tijd niet gebruikt gaat worden, tapt u alle brandstof uit de brandstoftank en carburateur, en slaat u het op een droge, schone plaats op.

- Tap de brandstof af uit de brandstoftank en carburateur aan de hand van de volgende procedure:
 - 1) Draai de brandstofvuldop eraf en tap de brandstof volledig af. Als een vreemde substantie is achtergebleven in de brandstoftank, verwijdert u deze volledig.
 - 2) Trek met behulp van een draadhaak het brandstoffilter uit de brandstofvulopening.
 - 3) Druk op de brandstofhandpomp totdat de brandstof daaruit en in de brandstoftank stroomt.
 - 4) Plaats het brandstoffilter in de brandstoftank en draai de brandstofvuldop stevig vast.
 - 5) Laat de motor vervolgens draaien tot deze afslaat.
- Verwijder de bougie en breng enkele druppels motorolie via het bougiegat in de cilinder.
- Trek voorzichtig aan de trekstarthandgreep zodat de motorolie zich door de motor verspreidt, en monteer daarna de bougie weer.
- Bevestig de beschermkap om het metalen snijblad.
- Normaal gesproken slaat u het gereedschap horizontaal op. Als dit niet mogelijk is, plaatst u het gereedschap zodanig dat de motor zich lager bevindt dan het snijgarnituur. Anders kan motorolie van binnenuit lekken.
- Bewaar de afgetapte brandstof in een speciale jerrycan op een goed geventileerde plaats in de schaduw.



Gebruikstijd Item		Voor gebruik	Na bijvullen van brandstof	Dagelijks (10 uur)	30 uur	50 uur	200 uur of 1 jaar, wat zich eerder voordoet	Vóór opslag	Zie pagina
Vastdraaien (bouten, moeren, enz.)	Inspecteren	○							104
Brandstoftank	Schoonmaken	○							—
	Brandstof aftappen							○*2	104
Gashendel	Werking controleren		○						—
Stopschakelaar	Werking controleren		○						102
Snijgarnituur	Inspecteren	○		○					94
Stationair toerental	Inspecteren/afstellen			○					99
Luchtfilter	Schoonmaken			○					102
Bougie	Inspecteren			○					103
Koelluchtinlaatopening en koelribben van de cilinder	Schoonmaken/inspecteren			○					104
Brandstofslang	Inspecteren			○					104
	Vervangen						◎*1		—
Smeervet in tandwielhuis	Bijvullen				○				103
Uitlaatdemper	Opening inspecteren/schoonmaken				○				—
Brandstoffilter	Schoonmaken/vervangen					○			103
Carburateur	Brandstof aftappen							○*2	104

*1 Vraag een erkend servicecentrum of een machinewerkplaats om de inspectie na 200 bedrijfsuren uit te voeren.

*2 Na het aftappen van de brandstoftank, laat u de motor draaien om de brandstof in de carburateur op te gebruiken.

PROBLEMEN OPLOSSEN

Alvorens een verzoek voor reparatie in te dienen, controleert u de storing zelf aan de hand van de onderstaande tabel. Als een probleem is gevonden, repareert u het gereedschap aan de hand van de beschrijvingen in deze gebruiksaanwijzing. Probeer nooit enig onderdeel te demonteren of repareren in strijd met de beschrijvingen. Voor reparatie neemt u contact op met een erkend servicecentrum of uw plaatselijke dealer.

Probleemomschrijving	Mogelijke oorzaak (storing)	Oplossing
Motor start niet.	De I-O-schakelaar staat in de stand STOP.	Zet de I-O-schakelaar in de stand START.
	De brandstofhandpomp werd niet ingedrukt.	Druk deze 7 tot 10 keer in.
	Te zwak trekken aan de trekstarthandgreep.	Trek krachtig.
	Gebrek aan brandstof.	Vul brandstof bij.
	Onjuiste stand van de chokehendel.	Zet in de stand "DICHT" (startprocedure bij koude motor). Zet in de stand "OPEN" (startprocedure bij warme motor).
	Verstopt brandstoffilter.	Vervang hem.
	Verbogen of verstopte brandstofslang.	Maak de brandstofslang recht of vervang hem.
	Verslechterde brandstof.	Verslechterde brandstof bemoeilijkt het starten. Vervang de brandstof door nieuwe. (Aanbevolen vervangingsinterval: 1 maand.)
	Buitensporige toevoer van brandstof.	Verander de stand van de gashendel van middelhoog toerental naar hoog toerental en trek aan de trekstarthandgreep tot de motor start. Nadat de motor is gestart, begint het snijgereedschap te draaien. Let goed op het snijgereedschap. Als de motor nog steeds niet start, draait u de bougie eruit, maakt u de elektroden droog, en monteert u de bougie weer. Start vervolgens zoals beschreven.
	Bougiekap ligt eraf.	Bevestig hem stevig.
	Vervuilde bougie.	Maak hem schoon.
	Verkeerde elektrodenafstand van bougie.	Stel de elektrodenafstand af.
	Probleem met de bougie.	Vervang hem.
	Probleem met de carburateur.	Dien een verzoek in voor inspectie en onderhoud.
Trekstarthandgreep kan niet worden uitgetrokken, of er wordt geen compressieweerstand gevoeld.	Dien een verzoek in voor inspectie en onderhoud.	
Probleem met de aandrijving/het elektrisch systeem. (storing in I-O-schakelaar, storing in bedrading, storing in stekker, enz.)	Dien een verzoek in voor inspectie en onderhoud.	
Motor slaat snel af. Motortoerental neemt niet toe.	Onvoldoende opgewarmd.	Warm de motor op.
	Chokehendel staat in de stand "DICHT" ondanks dat de motor opgewarmd is.	Zet in de stand "OPEN".
	Laag stationair toerental.	Stel het stationair toerental af.
	Verstopt brandstoffilter.	Vervang hem.
	Vervuild of verstopt luchtfilter.	Maak hem schoon of vervang hem.
	Probleem met de carburateur.	Dien een verzoek in voor inspectie en onderhoud.
	Probleem met uitlaatdemper (verstopt, enz.)	Dien een verzoek in voor inspectie en onderhoud.
Probleem met de aandrijving/het elektrisch systeem.	Dien een verzoek in voor inspectie en onderhoud.	
Metalen snijblad draait niet.	Bevestigingsmoer van metalen snijblad zit los.	Maak goed vast.
	Takjes zijn rond het metalen snijblad gewikkeld of verstopten de beschermkap.	Verwijder vreemde voorwerpen.
	Probleem met de aandrijving.	Dien een verzoek in voor inspectie en onderhoud.
Motorblok trilt abnormaal sterk.	Metalen snijblad is gebroken, verbogen of versleten.	Vervang het metalen snijblad.
	Bevestigingsmoer van metalen snijblad zit los.	Maak goed vast.
	Bolle deel van het metalen snijblad is verschoven ten opzichte van het steunvlak.	Bevestig hem stevig.
	Probleem met de aandrijving.	Dien een verzoek in voor inspectie en onderhoud.
Metalen snijblad stopt niet onmiddellijk.	Hoog stationair toerental.	Stel het stationair toerental af.
	Gaskabel is losgeraakt.	Bevestig hem stevig.
	Probleem met de aandrijving.	Dien een verzoek in voor inspectie en onderhoud.
Motor slaat niet af.	Stekker losgeraakt.	Bevestig hem stevig.
	Probleem met het elektrisch systeem.	Dien een verzoek in voor inspectie en onderhoud.

- Als de motor niet start ondanks dat deze opgewarmd is:
Als bij het doorlopen van de controlepunten geen probleem wordt gevonden, knijpt u de gashendel ongeveer 1/3 in en start u de motor.
- Als zich problemen voordoen die niet in dit overzicht worden vermeld, neemt u contact op met een erkend servicecentrum.

Muchas gracias por comprar el equipo motorizado para exteriores de DOLMAR. Nos complace recomendarle el producto DOLMAR, que es el resultado de un largo programa de desarrollo y muchos años de investigación y experiencia. Lea este folleto que explica en detalle los diferentes aspectos que demostrarán su excelente rendimiento. Le ayudará a obtener los mejores resultados posibles del producto de DOLMAR.



Tabla de contenido	Página
Símbolos.....	107
Instrucciones de seguridad.....	108
Datos técnicos.....	112
Denominación de las piezas.....	113
Montaje del asidero.....	114
Montaje del protector.....	115
Montaje de la herramienta de corte.....	116
Combustibles/repostaje.....	117
Manejo correcto de la máquina.....	118
Aspectos del manejo y cómo parar la máquina.....	119
Afilado de la herramienta de corte.....	120
Instrucciones de servicio.....	123
Almacenamiento.....	125
Localización y solución de averías.....	127

SÍMBOLOS

Cuando lea el manual de instrucciones se encontrará con los siguientes símbolos.

	¡Lea el manual de instrucciones y respete las advertencias y las precauciones de seguridad!		¡Mantenga el área de operaciones libre de personas y animales!
	¡Preste especial cuidado y atención!		¡Utilice un casco de seguridad y protección para los ojos y oídos!
	¡Prohibido!		Máxima velocidad permitida de la herramienta
	¡Mantenga la distancia!		Mezcla de combustible y aceite
	¡Peligro de que salgan despedidos objetos!		Encendido manual del motor
	¡Contragolpe!		Parada de emergencia
	¡No fume!		Primeros auxilios
	¡No la acerque a llamas!		ENCENDIDO/ARRANQUE
	¡Deben utilizarse guantes protectores!		APAGADO/PARADA
	Utilice botas robustas con suela antideslizante. ¡Se recomienda utilizar botas de seguridad con puntera de acero!		POSICIÓN DE BLOQUEO DE LA MARIPOSA DE GASES

INSTRUCCIONES DE SEGURIDAD

Instrucciones generales

- Lea este manual de instrucciones para familiarizarse con el manejo del equipo. Los usuarios con una información insuficiente se pondrán en riesgo a ellos mismos y pondrán en riesgo a otros a causa de un manejo incorrecto.
- Se recomienda prestar el equipo solamente a personas con experiencia comprobada.
Entregue siempre el manual de instrucciones.
- Los usuarios que utilizan por primera vez la máquina deben pedir al distribuidor instrucciones básicas para familiarizarse con el manejo de la desbrozadora.
- No se debe permitir que los niños o las personas de menos de 18 años utilicen este equipo. No obstante, las personas de más de 16 años pueden usar el dispositivo con finalidades de aprendizaje bajo la supervisión de un instructor cualificado.
- Utilice el equipo con el máximo cuidado y la máxima atención.
- Utilícelo solamente si se encuentra en buen estado físico. Realice todo el trabajo con calma y con cuidado. El usuario tiene que aceptar la responsabilidad por otros.
- Nunca utilice este equipo tras consumir alcohol o medicamentos o si se siente cansado o enfermo.
- Las normativas nacionales pueden restringir el uso de la máquina.

Uso previsto de la máquina

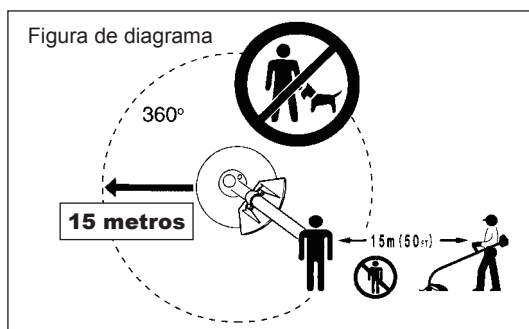
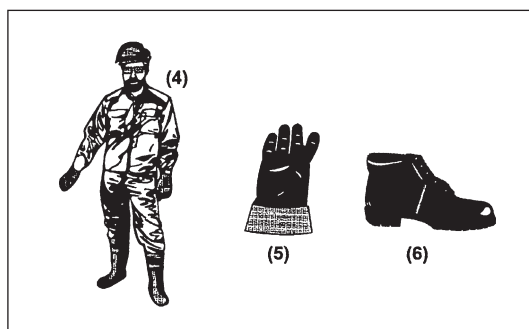
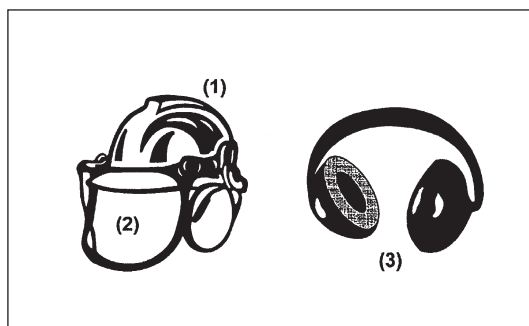
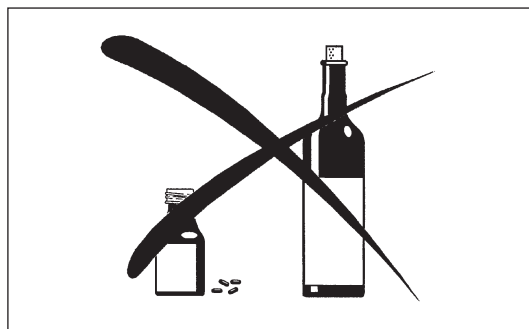
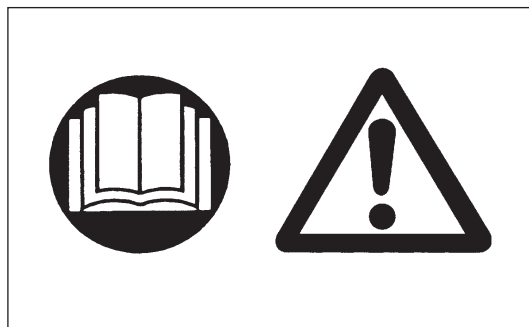
- Este equipo solamente se ha diseñado para cortar hierba, malas hierbas, arbustos y sotobosque. No se debe utilizar con ninguna otra finalidad, como canteado o cortado de setos, ya que se podrían causar lesiones.

Equipo de protección personal

- Debe llevarse ropa funcional y apropiada, es decir, debe ser ajustada pero sin que sea incómoda. No lleve joyas ni prendas que puedan engancharse en arbustos o maleza.
- Para evitar lesiones en la cabeza, los ojos, las manos o los pies y para proteger los oídos, debe llevarse el siguiente equipo y la siguiente ropa de protección durante las operaciones.
- Utilice siempre un casco cuando haya riesgo de caída de objetos. Debe comprobarse periódicamente si el casco protector (1) tiene algún daño y se debe sustituir como máximo después de 5 años. Utilice solamente cascos protectores homologados.
- El visor (2) del casco (o, como alternativa, las gafas de seguridad) protege la cara de piedras y objetos que salen despedidos. Durante las operaciones utilice gafas de seguridad o un visor para evitar lesiones en los ojos.
- Utilice un equipo de protección acústica adecuado para evitar daños en el oído (protectores de oído (3), tapones para los oídos, etc.).
- El mono de trabajo (4) protege contra piedras y otros objetos que salen despedidos.
Recomendamos utilizar un mono de trabajo.
- Los guantes (5) son parte del equipo obligatorio y siempre se deben utilizar durante las operaciones.
- Cuando utilice el equipo, utilice siempre zapatos robustos (6) con una suela que no resbale. De esta manera se protegerá contra lesiones y se asegurará de que los pies estén en una posición firme.

Puesta en marcha de la desbrozadora

- Asegúrese de que no haya niños y otras personas en un área de trabajo de 15 metros (50 pies) y preste atención también a cualquier animal que pueda estar cerca del lugar de trabajo.
- Antes del uso, compruebe que el equipo permita realizar las operaciones con seguridad.
Compruebe la seguridad de la herramienta de corte, el accionamiento sencillo de la palanca de la mariposa de gases y el correcto funcionamiento del bloqueo de la palanca de la mariposa de gases.
- No se permite girar la herramienta de corte mientras funciona en vacío. Consulte los ajustes con su distribuidor en caso de duda. Compruebe que los asideros estén limpios y secos y pruebe el funcionamiento del interruptor de arranque/parada.

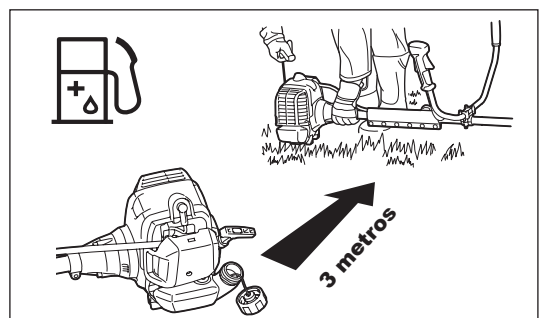
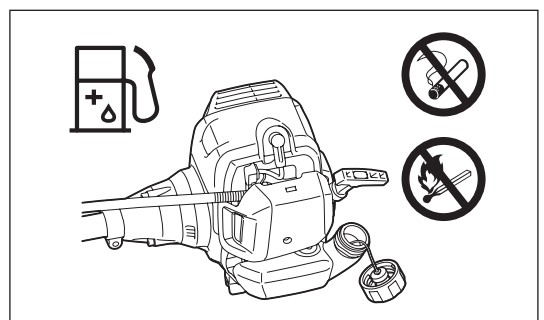
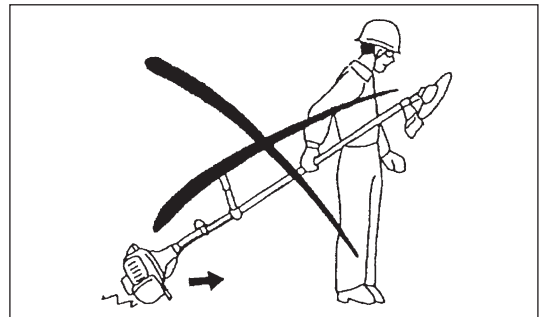
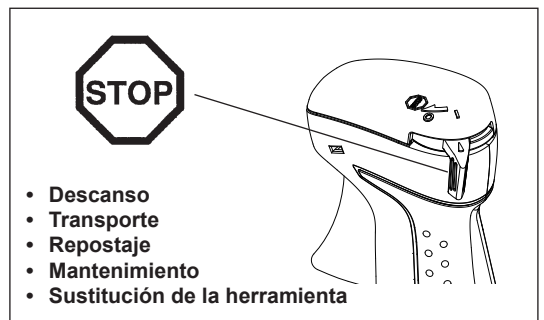
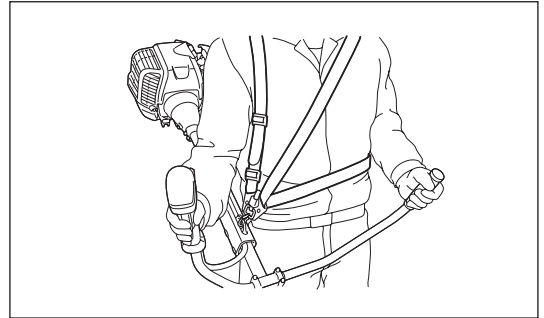
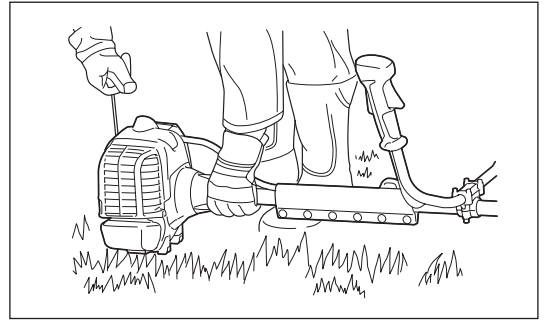


Ponga en marcha la desbrozadora únicamente de acuerdo con las instrucciones.

- No utilice ningún otro método para poner en marcha el motor.
- Utilice la desbrozadora y las herramientas solamente para las aplicaciones especificadas.
- Ponga en marcha el motor únicamente después de montar todo el conjunto. Solamente se permite utilizar el dispositivo después de conectar todos los accesorios adecuados.
- Antes de la puesta en marcha, asegúrese de que la herramienta de corte no esté en contacto con objetos duros tales como ramas, piedras, etc. ya que la herramienta de corte girará al poner en marcha la máquina.
- El motor se debe apagar inmediatamente si experimenta algún problema.
- Si la herramienta de corte golpea piedras u otros objetos duros, apague el motor inmediatamente e inspecciónela.
- Inspeccione periódicamente la herramienta de corte para comprobar si hay daños (compruebe si hay grietas finas mediante pruebas de sonido).
- Si el equipo recibe un fuerte impacto o cae, compruebe su estado antes de continuar con el trabajo. Compruebe si hay fugas en el sistema de combustible y si los dispositivos de seguridad funcionan correctamente. Si hay daños o en caso de duda, solicite a nuestro centro de servicio autorizado que realice una inspección y reparación.
- Utilice el equipo únicamente con el arnés de hombro asegurado, que se debe ajustar correctamente antes de poner en marcha la desbrozadora. Es muy importante ajustar el arnés de hombro de acuerdo con la talla del usuario para evitar la fatiga durante el uso. Nunca sujete la herramienta de corte con una mano durante el uso.
- Durante las operaciones, sujete siempre la desbrozadora con ambas manos. Asegúrese siempre de que sus pies se encuentran en una posición segura.
- Utilice el equipo de forma que no inhale los gases de escape. Nunca haga funcionar el motor en lugares cerrados (riesgo de envenenamiento por gas). El monóxido de carbono es un gas inodoro.
- Apague el motor cuando descanse y cuando deje el equipo sin atender, y deje la herramienta en un lugar seguro para evitar un peligro para otras personas o que se dañe la herramienta.
- No deje nunca la desbrozadora caliente sobre hierba seca o materiales combustibles.
- Instale siempre la protección de la herramienta de corte aprobada en el equipo antes de poner en marcha el motor. De lo contrario, el contacto con la herramienta de corte puede provocar lesiones graves.
- Todas las piezas de protección y las protecciones suministradas con la máquina deben utilizarse durante el funcionamiento.
- Nunca haga funcionar el motor con un silenciador de escape defectuoso.
- Apague el motor durante el transporte.
- Cuando transporte el equipo, acople siempre la cubierta a la cuchilla de metal.
- Asegúrese de que el equipo esté en una posición segura durante el transporte en un vehículo para evitar fugas de combustible.
- Durante el transporte, asegúrese de que el depósito de combustible esté completamente vacío.
- Cuando descargue el equipo de un camión, nunca deje caer el motor al suelo, ya que se puede dañar gravemente el depósito de combustible.
- Excepto en caso de emergencia, nunca deje caer ni lance el equipo hacia el suelo, ya que el equipo se puede dañar gravemente.
- No olvide levantar todo el equipo del suelo cuando lo mueva. Arrastrar el depósito de combustible es muy peligroso y causará daños, fugas de combustible y posiblemente un incendio.
- Evite el contacto con el silenciador de escape. Se calienta mucho durante las operaciones.
- No maneje el motor en atmósferas explosivas, tales como aquéllas en las que haya presencia de polvo, gases o líquidos inflamables. El motor produce chispas que pueden encender el polvo o los gases.

Repostaje

- Apague el motor durante el repostaje, manténgase alejado de las llamas y no fume.
- Evite el contacto de la piel con productos de aceite mineral. No inhale el vapor de combustible. Utilice siempre guantes de protección durante el repostaje. Cambie y limpie regularmente la ropa protectora.
- Tenga cuidado de no derramar combustible o aceite para evitar la contaminación del suelo (protección medioambiental). Limpie la desbrozadora inmediatamente después del derrame de combustible.
- Evite el contacto del combustible con su ropa. Cambie la ropa inmediatamente si se ha derramado combustible sobre ella (para evitar que la ropa se incendie).
- Inspeccione periódicamente la tapa del depósito de combustible para asegurarse de que se puede apretar firmemente y que no tiene fugas.
- Apriete con cuidado la tapa del depósito de combustible. Cambie de lugar para poner en marcha el motor (como mínimo a 3 metros de distancia del lugar de repostaje).
- Nunca reposte en lugares cerrados. Los vapores de combustible se acumulan a nivel del suelo (riesgo de explosiones).
- El combustible solamente se debe transportar y almacenar en recipientes homologados. Asegúrese de que el combustible almacenado no esté al alcance de los niños.



Método de trabajo

- Utilice la desbrozadora únicamente con buenas condiciones de iluminación y visibilidad. Durante el invierno tenga cuidado con las áreas húmedas o resbaladizas, hielo y nieve (riesgo de resbalar). Asegúrese siempre de que sus pies se encuentran en una posición segura.
- No corte nunca por encima de la altura de la cintura.
- Nunca se suba a una escalera.
- No se suba a árboles mientras realice la operación de corte.
- No trabaje nunca en superficies inestables.
- Elimine la arena, piedras, clavos, etc. que se encuentren en el área de trabajo.
Los objetos extraños pueden dañar la herramienta de corte y provocar peligrosos contragolpes.
- Antes de comenzar a cortar, la herramienta de corte debe alcanzar la velocidad de trabajo completa.
- Cuando utilice cuchillas de metal, balancee la herramienta uniformemente en un semicírculo de derecha a izquierda, como si usara una guadaña.
Si se atascan césped o ramas entre la herramienta de corte y la protección, detenga siempre el motor antes de la limpieza. De lo contrario, el contacto accidental con las cuchillas que están girando puede provocar lesiones graves.
- Descanse para evitar la pérdida de control causada por la fatiga.
Recomendamos descansar de 10 a 20 minutos cada hora.

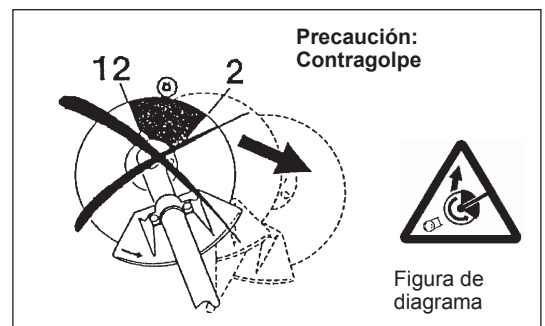


Herramientas de corte

- Utilice una herramienta de corte adecuada para el trabajo en cuestión.
Los cabezales de corte de nylon (cabezales de corte de hilo) son adecuados para cortar césped.
Las cuchillas de metal son adecuadas para cortar malas hierbas, hierbas altas, arbustos, maleza, sotobosque, matorrales y plantas similares.
Nunca utilice otras cuchillas, incluyendo cadenas oscilantes de varias piezas de metal y cuchillas trilladoras. De lo contrario, puede sufrir lesiones graves.
- Cuando utilice cuchillas de metal, evite el “contragolpe” y esté siempre preparado para un contragolpe accidental. Consulte la sección “Contragolpe”.

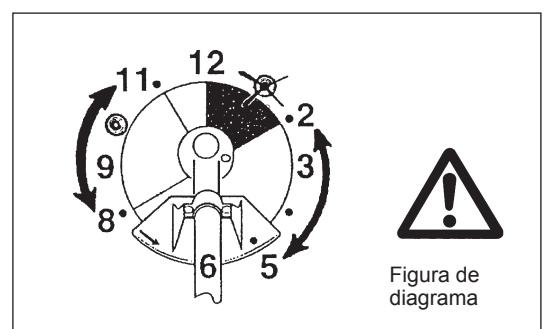
Contragolpe (empuje de la cuchilla)

- El contragolpe (empuje de la cuchilla) es una reacción repentina a una cuchilla de metal atrapada o forzada. Cuando se produzca, el equipo saldrá despedido lateralmente o hacia el operario con una gran fuerza y puede causar lesiones graves.
- El contragolpe se produce específicamente cuando se aplica el segmento de la cuchilla entre las 12 y las 2 en punto a elementos sólidos, arbustos y árboles con un diámetro de 3 cm o superior.
- Para evitar contragolpes:
 - Aplique el segmento entre las 8 y las 11 en punto;
 - Nunca aplique el segmento entre las 12 y las 2 en punto;
 - Nunca aplique el segmento entre las 11 y las 12 en punto y entre las 2 y las 5 en punto; a menos que el operario tenga una buena formación y experiencia y lo haga bajo su propio riesgo;
 - Nunca utilice cuchillas de metal cerca de elementos sólidos, como vallas, troncos de árboles y piedras;
 - Nunca utilice las cuchillas de metal verticalmente para operaciones tales como canteado o cortado de setos.



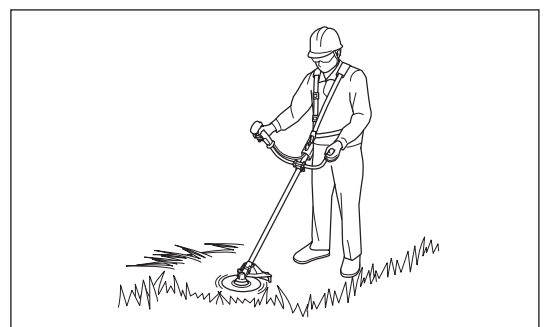
Vibración

- Las personas con problemas circulatorios que están expuestas a vibraciones excesivas pueden sufrir lesiones en los vasos sanguíneos o en el sistema nervioso. La vibración puede provocar los siguientes síntomas en los dedos, manos o muñecas: “adormecimiento”, hormigueo, dolor, sensación punzante, alteración del color de la piel o de la piel. Si sufre alguno de estos síntomas, acuda a un médico.
- Para reducir el riesgo de “enfermedad de dedos blancos”, mantenga las manos calientes durante el uso y realice un buen mantenimiento del equipo y los accesorios.



Instrucciones de mantenimiento

- Haga que su equipo sea sometido a tareas de mantenimiento en nuestro centro de servicio autorizado, utilizando siempre y de forma exclusiva recambios originales. Una reparación incorrecta y un mantenimiento deficiente pueden acortar la vida útil del equipo y aumentar el riesgo de accidentes.
- El estado de la desbrozadora, en concreto de la herramienta de corte, de los dispositivos protectores y también del arnés de hombro debe comprobarse antes de comenzar el trabajo. Debe prestarse especial atención a las cuchillas de metal, que deben estar afiladas correctamente.
- Apague el motor y quite el conector de la bujía cuando sustituya o afile las herramientas de corte y también cuando limpie la desbrozadora o la herramienta de corte.



Nunca enderece ni sude las herramientas de corte estropeadas.

- Preste atención al medioambiente. Evite el uso innecesario de la palanca de la mariposa de gases para reducir la contaminación y las emisiones de ruido. Ajuste el carburador correctamente.
- Limpie el equipo periódicamente y compruebe que todos los tornillos y tuercas estén bien apretados.
- Nunca repare o almacene el equipo cerca de llamas vivas.
- Guarde siempre el equipo en habitaciones cerradas con llave y con el depósito de combustible vacío.
- Durante la limpieza, el mantenimiento y el almacenamiento del equipo, acople siempre la cubierta a la cuchilla de metal.



Respete las instrucciones aplicables de prevención de accidentes emitidas por las compañías de seguros y las asociaciones comerciales relevantes.

No realice ninguna modificación en el equipo, ya que esto pondría en peligro su seguridad.

Los trabajos de mantenimiento o reparación que puede realizar el usuario se limitan a las actividades descritas en este manual de instrucciones. Todos los demás trabajos los realiza un agente de servicio autorizado. Utilice únicamente accesorios y piezas de repuesto genuinos suministrados por DOLMAR.

El uso de accesorios y herramientas que no se hayan aprobado implica un mayor riesgo de accidentes.

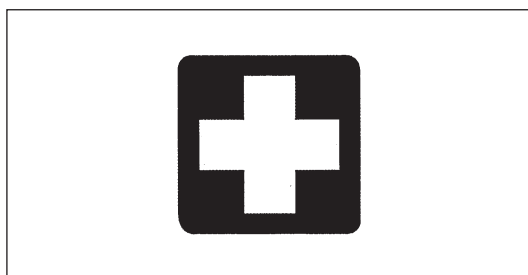
DOLMAR no acepta ninguna responsabilidad por los accidentes o los daños causados por el uso de herramientas de corte no aprobadas, por la reparación de las herramientas de corte o por accesorios.

Primeros auxilios

En caso de accidente, asegúrese de que cerca del lugar en el que se realicen las operaciones de corte esté disponible un botiquín de primeros auxilios. Reponga inmediatamente cualquier artículo que tome del botiquín de primeros auxilios.

Cuando solicite ayuda, proporcione la siguiente información:

- Lugar del accidente
- Qué ha ocurrido
- Número de personas heridas
- Tipo de lesiones
- Su nombre



Sólo para países europeos

Declaración de conformidad de la CE

Makita declara que las siguientes máquinas:

Designación de la máquina: Desbrozadora

Nº de modelo/ Tipo: MS-34 U, MS-34 C

Cumplen con las siguientes Directivas europeas:

2000/14/CE, 2006/42/CE

Se han fabricado de acuerdo con los siguientes estándares o documentos estandarizados:

EN ISO 11806-1

El archivo técnico, de acuerdo con 2006/42/CE, está disponible en:

Makita, Jan-Baptist Vinkstraat 2, 3070, Bélgica

El procedimiento de evaluación de conformidad requerido por la Directiva 2000/14/CE se realizó de acuerdo con el anexo V.

MS-34 U (Con cabezal de corte de nylon):

Nivel de potencia sonora medido: 109,1 dB

Nivel de potencia sonora garantizado: 110 dB

MS-34 U (Con cuchilla de corte):

Nivel de potencia sonora medido: 105,8 dB

Nivel de potencia sonora garantizado: 106 dB

MS-34 C (Con cabezal de corte de nylon):

Nivel de potencia sonora medido: 110,4 dB

Nivel de potencia sonora garantizado: 112 dB

MS-34 C (Con cuchilla de corte):

Nivel de potencia sonora medido: 105,9 dB

Nivel de potencia sonora garantizado: 107 dB

6. 6. 2014

Yasushi Fukaya
Director

Makita, Jan-Baptist Vinkstraat 2, 3070, Bélgica

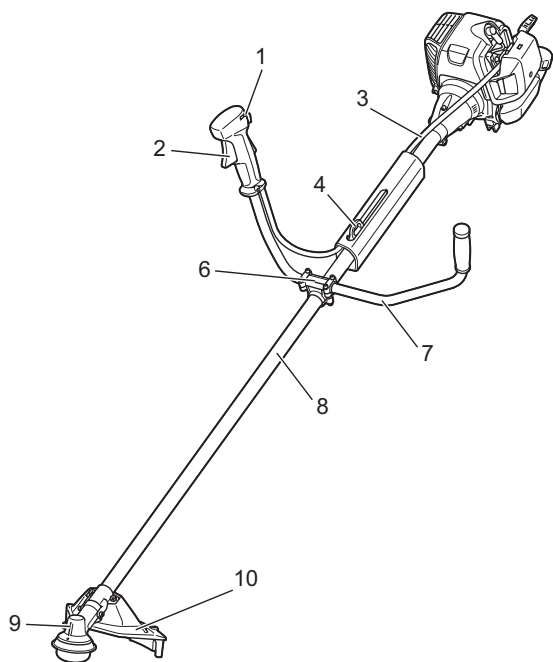
DATOS TÉCNICOS

Modelo			MS-34 U		MS-34 C			
Tipo de asidero			Asidero de motocicleta		Asidero circular			
Dimensiones: largo x ancho x alto (sin herramienta de corte)			mm	1.815 x 650 x 435	1.815 x 330 x 270			
Peso (sin protección de la herramienta de corte ni la herramienta de corte)			kg	6,4	6,2			
Volumen (depósito de combustible)			L	0,75				
Cilindrada del motor			cm ³	34,0				
Potencia máxima del motor			kW	1,15 a 7.000 min ⁻¹				
Velocidad del motor a la velocidad máxima recomendada del husillo			min ⁻¹	10.000				
Velocidad máxima del husillo (correspondiente)			min ⁻¹	6.800				
Velocidad de ralentí			min ⁻¹	2.800				
Velocidad de acoplamiento de embrague			min ⁻¹	4.100				
Carburador			tipo	WALBLO WYJ				
Bujía			tipo	NGK BPMR7A				
Separación entre electrodos			mm	0,6 - 0,7				
				CABEZAL DE CORTE DE NYLON	CUCHILLA METÁLICA	CABEZAL DE CORTE DE NYLON	CUCHILLA METÁLICA	
Vibración de acuerdo con ISO 22867	Asidero derecho (Empuñadura trasera)	$a_{hv\ eq}$	m/s ²	4,1	4,0	4,6	4,3	
		Incertidumbre K	m/s ²	1,0	0,5	2,0	1,0	
	Asidero izquierdo (Empuñadura delantera)	$a_{hv\ eq}$	m/s ²	4,4	4,3	5,5	5,4	
		Incertidumbre K	m/s ²	1,8	1,2	1,4	1,0	
Nivel medio de presión de sonido de acuerdo con ISO 22868			$L_{PA\ eq}$	dB(A)	95,0	92,7	95,9	91,3
			Incertidumbre K	dB(A)	2,5	0,7	1,0	1,1
Nivel medio de potencia de sonido de acuerdo con ISO 22868			$L_{WA\ eq}$	dB(A)	109,1	105,8	110,4	105,9
			Incertidumbre K	dB(A)	1,0	0,4	1,6	0,8
Relación de mezcla (combustible: aceite de 2 tiempos DOLMAR)				50 : 1				
Herramientas de corte (diám. de la cuchilla de corte)			mm	255 (con cuchilla de 4 dientes)				
Relación de engranajes				13/19				

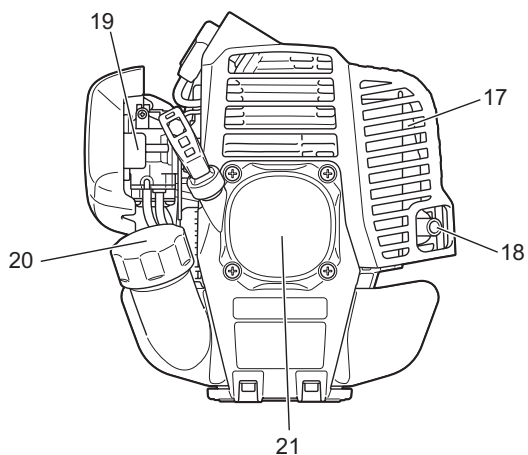
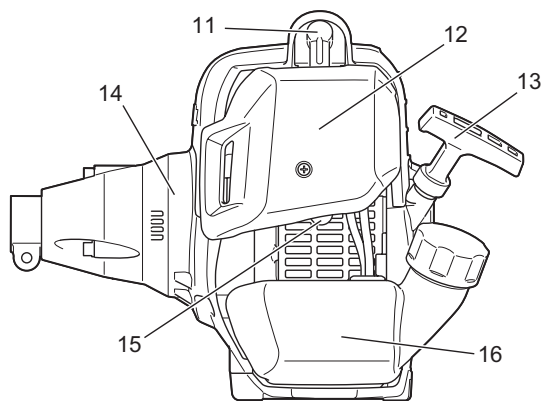
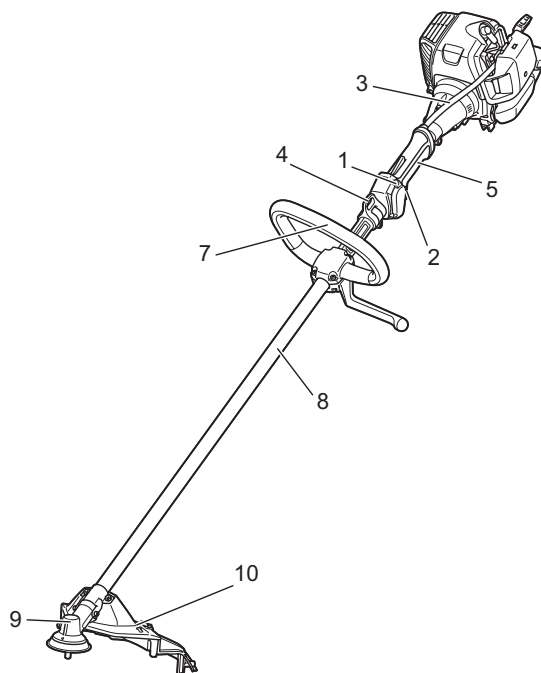
- Debido a nuestro programa continuo de investigación y desarrollo, las especificaciones aquí descritas están sujetas a cambios sin previo aviso.
- Las especificaciones pueden ser diferentes de un país a otro.

DENOMINACIÓN DE LAS PIEZAS

MS-34 U



MS-34 C



	DENOMINACIÓN DE LAS PIEZAS
1	Interruptor I-O (encendido/apagado)
2	Palanca de la mariposa de gases
3	Cable de control
4	Colgador
5	Empuñadura trasera
6	Agarre del asidero
7	Asidero
8	Eje
9	Caja de engranajes
10	Protector (protección de la herramienta de corte)
11	Bujía
12	Filtro de aire
13	Empuñadura de arranque
14	Caja del embrague
15	Bomba de cebado
16	Depósito de combustible
17	Silenciador de escape
18	Tubo de escape
19	Palanca del estrangulador
20	Tapa del depósito de combustible
21	Arrancador de retroceso

MONTAJE DEL ASIDERO

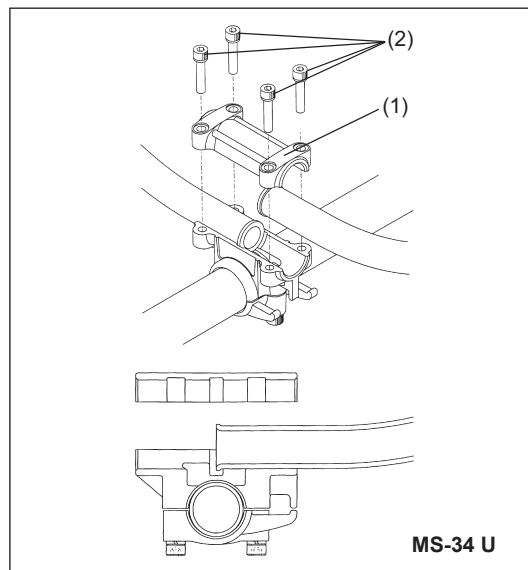
PRECAUCIÓN: Antes de realizar un trabajo en el equipo, detenga siempre el motor y desconecte el conector de la bujía.

¡Utilice siempre guantes de protección!

PRECAUCIÓN: Ponga en marcha el motor únicamente después de haberlo montado completamente.

Para modelos con el asidero de motocicleta

- Coloque el asidero con la palanca de la mariposa de gases en el agarre del asidero del lado derecho (debe sujetarse con la mano derecha) y el otro, en el lado izquierdo.
- Encaje el borde del asidero en la ranura del agarre del asidero y fije provisionalmente el lado superior (1) del agarre del asidero con cuatro pernos M5 x 25 (2).
- Ajuste el asidero en un ángulo sencillo para manipular y apretar el perno (2) uniformemente en los lados derecho e izquierdo.



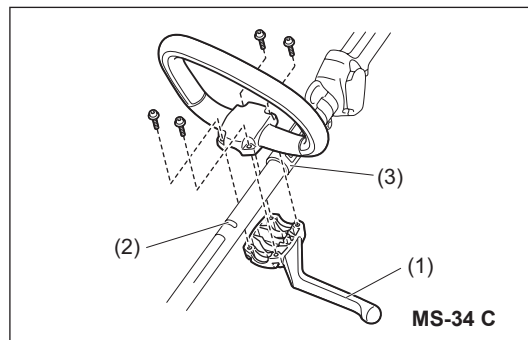
Para modelos con el asidero circular

- Fije una barrera (1) en el lado izquierdo de la máquina junto con el asidero para proteger al operario.
- Asegúrese de que el conjunto de empuñadura/barrera esté encajado entre el separador y la marca de flecha (2).

⚠ ADVERTENCIA: No quite o reduzca el espacio del separador (3). El separador mantiene una distancia establecida entre ambas manos. Si ajusta el conjunto de empuñadura/barrera más allá de la longitud del separador se puede provocar la pérdida de control y lesiones personales graves.

NOTA:

- En algunos países no se incluye el separador. En ese caso, encaje el conjunto de empuñadura/barrera entre las marcas de flecha.

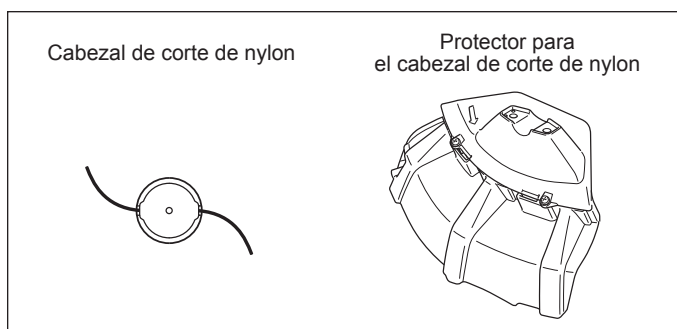
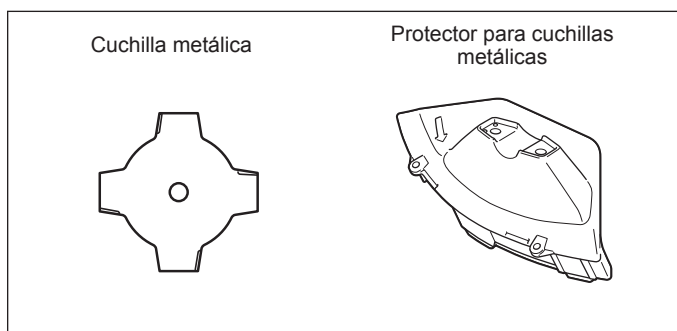


MONTAJE DEL PROTECTOR

Para cumplir con las disposiciones de seguridad apropiadas, solamente se deben utilizar las combinaciones de herramienta/protector indicadas en la tabla.

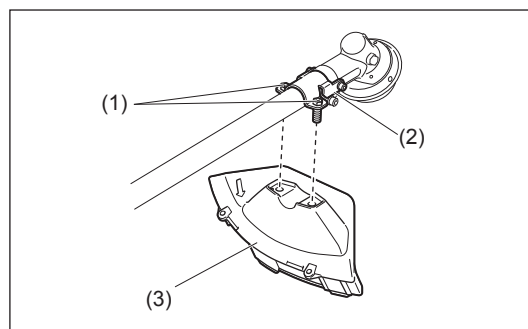
PRECAUCIÓN: Siempre debe estar instalado el protector adecuado por su propia seguridad y para cumplir con las normativas de prevención de accidentes.
No se permite la utilización del equipo sin la protección montada.

NOTA: La combinación estándar de herramienta de corte difiere de un país a otro.



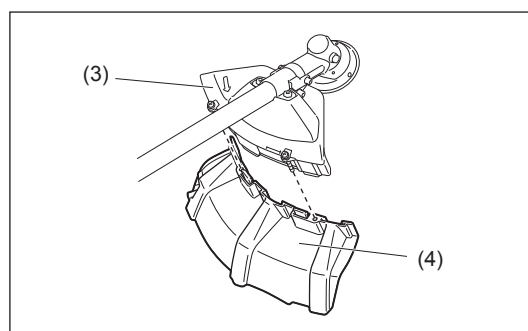
– Cuando utilice la cuchilla metálica, fije el protector (3) a la abrazadera (2) con dos pernos (1).

NOTA: Apriete los pernos derecho e izquierdo de forma uniforme para que la holgura entre la abrazadera (2) y el protector (3) sea constante.
De lo contrario, es posible que en algunos casos no funcione según las especificaciones.



– Cuando vaya a utilizar un cabezal de corte de hilo de nylon, asegúrese de montar el protector del cabezal de corte de hilo de nylon (4) en el protector de la cuchilla metálica (3).

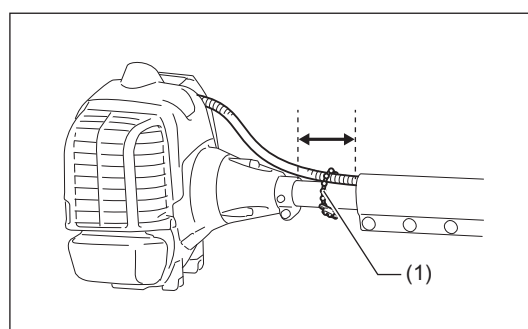
PRECAUCIÓN: Tenga cuidado de no herirse con el cabezal de corte para cortar el hilo de nylon.



(Para el modelo MS-34 U solamente)

Colocación de la brida

Fije el cable de control y el eje mediante la brida (1) en el área que se muestra en la figura.



MONTAJE DE LA HERRAMIENTA DE CORTE

Asegúrese de utilizar cuchillas metálicas o cabezales de corte de nylon originales de DOLMAR.

- La cuchilla metálica deberá estar bien limpia, sin grietas ni roturas. Si la cuchilla metálica golpea una piedra durante el uso, detenga la herramienta y compruebe la cuchilla inmediatamente.
- Limpie o sustituya la cuchilla metálica cada tres horas de funcionamiento.
- Si el cabezal de corte de nylon golpea un objeto duro, como una piedra, durante el uso, detenga la herramienta y compruebe el cabezal de corte de nylon inmediatamente.

PRECAUCIÓN: Siempre debe estar instalado el protector adecuado por su propia seguridad y para cumplir con las normativas de prevención de accidentes.

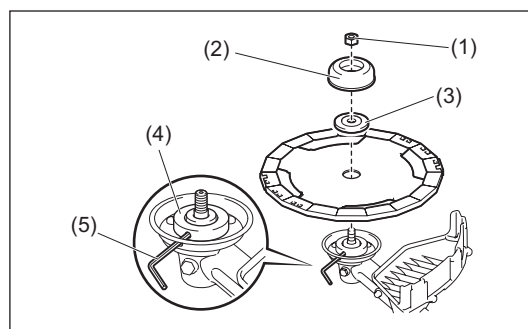
No se permite la utilización del equipo sin la protección montada.

El diámetro exterior de la cuchilla de corte debe ser de 255 mm (10") o inferior. Nunca utilice cuchillas que tengan un diámetro exterior superior a 255 mm (10").

PRECAUCIÓN: Asegúrese de que la herramienta de corte esté acoplada firmemente antes de la operación.

Coloque la máquina boca arriba y podrá sustituir la cuchilla metálica o el cabezal de corte de nylon fácilmente.

- Inserte la llave hexagonal (5) en el orificio de la caja de engranajes y gire la arandela de apoyo (4) hasta que quede bloqueada con la llave hexagonal.
- Afloje la tuerca (1) (rosca hacia la izquierda) con la llave de vaso y retire la tuerca (1), copa (2) y la arandela de apriete (3).

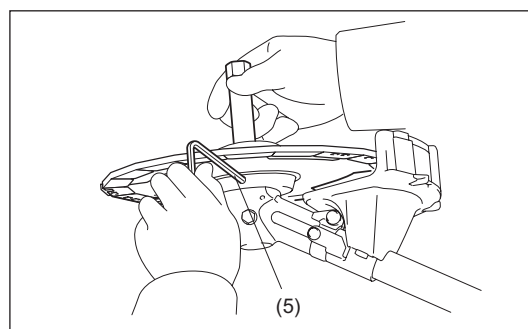


Montaje de la cuchilla metálica con la llave hexagonal (5) aún colocada

- Monte la cuchilla metálica en el eje para que la guía de la arandela de apoyo (4) se ajuste al orificio del eje de la cuchilla metálica. Instale la arandela de apriete (3), la copa (2) y fije la cuchilla metálica con la tuerca (1).
[Par de apriete: 13 - 23 N-m]

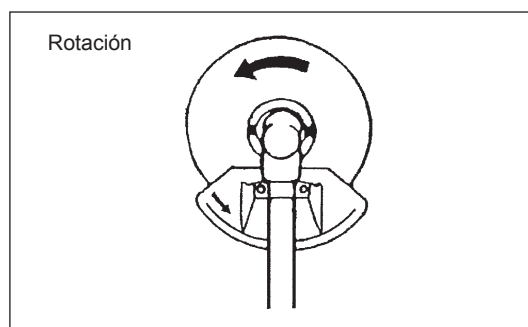
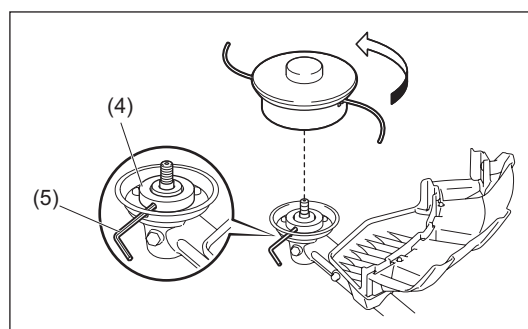
NOTA: Utilice siempre guantes cuando maneje la cuchilla metálica.

NOTA: La tuerca de apriete de la cuchilla metálica (con una arandela con muelle) es una parte desechable. Si se aprecia algún desgaste o deformación en la arandela de muelle, reemplace la tuerca.



Montaje del cabezal de corte de nylon

- La arandela de apriete (3), la copa (2) y la tuerca (1) no son necesarias para montar el cabezal de corte de nylon. El cabezal de corte de nylon debe colocarse encima de la arandela de apoyo (4).
- Inserte la llave hexagonal (5) en el orificio de la caja de engranajes y gire la arandela de apoyo (4) hasta que quede bloqueada con la llave hexagonal.
- A continuación, enrosque el cabezal de corte de nylon en el eje girándolo en el sentido contrario a las agujas del reloj.
- Retire la llave hexagonal (5).



Manejo de productos derivados del petróleo

Al manejar el combustible deberá tenerse el máximo cuidado posible. El combustible puede contener sustancias similares a los disolventes. Reposte en una habitación bien ventilada o al aire libre. No inhale el vapor de combustible y evite cualquier contacto del combustible o del aceite con su piel.

Los productos de aceite mineral eliminan la grasa de su piel. Si la piel entra repetidamente en contacto con estas sustancias y durante un período de tiempo prolongado, pueden producirse problemas dermatológicos. También pueden producirse reacciones alérgicas. Los ojos pueden irritarse si entran en contacto con el aceite, el combustible, etc.

Si sus ojos entran en contacto con el aceite, lávelos inmediatamente con agua potable.

Si sus ojos siguen irritados, acuda inmediatamente a un médico.

Mezcla de combustible y aceite

El motor de la desbrozadora es un motor de dos tiempos altamente eficaz. Funciona con una mezcla de combustible y aceite para motores de dos tiempos. El motor se ha diseñado para que funcione con combustible normal sin plomo, con un octanaje mínimo de 91 RON. En caso de no disponer de ese combustible, puede utilizar combustible con un octanaje mayor. Esto no afectará a su motor, pero puede provocar un rendimiento menor.

Cuando se utilice combustible con plomo surgirá un problema similar. Para obtener un rendimiento óptimo del motor y para proteger su salud y el medio ambiente, ¡utilice sólo combustible sin plomo!

Para lubricar el motor, añada un aceite para motor de dos tiempos (grado de calidad: JASO FC o ISO EGD) al combustible. El motor se ha diseñado para utilizar el aceite para motor de dos tiempos DOLMAR con una relación de mezcla de 50:1 para proteger el medioambiente. Además, quedará asegurada una larga vida de servicio y un funcionamiento fiable con unas emisiones de gas de escape mínimas. Es absolutamente necesario respetar la relación de mezcla 50:1 de aceite para motor de 2 tiempos DOLMAR. De lo contrario, no se puede garantizar el funcionamiento fiable de la desbrozadora.

Relación de mezcla correcta:

Mezcle 50 partes de gasolina con una 1 parte de aceite para motor de 2 tiempos DOLMAR (consulte la tabla de la derecha).

NOTA: Para preparar la mezcla de combustible y aceite, mezcle primero todo el aceite con la mitad del combustible necesario en un recipiente aprobado que cumpla todas las normas locales y, a continuación, añada el resto de combustible. Agite bien la mezcla antes de llenar con ella el depósito de la desbrozadora. No se recomienda añadir más aceite del especificado para garantizar el funcionamiento correcto. Esto sólo producirá más residuos en la combustión que contaminarán el medio ambiente y obstruirán el canal de escape del cilindro, las bujías, así como el silenciador. Además, el consumo de combustible aumentará y el rendimiento disminuirá.

Repostaje

No realice nunca el repostaje en una zona cerrada y sin ventilación.

El motor debe estar apagado.

- Limpie minuciosamente alrededor de la tapa del depósito para que no entre suciedad en el depósito de combustible (1).
 - Desenrosque la tapa del depósito (2) y rellene el depósito con combustible.
 - No llene nunca el depósito de combustible por encima del nivel máximo.
 - Enrosque firmemente la tapa del depósito.
 - Después del repostaje, pase por el tapón y el depósito un trapo empapado con un producto absorbente.
- Cuando el trapo se haya secado, deséchelo en un contenedor adecuado.

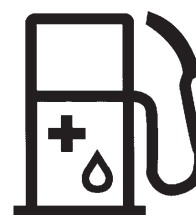
NOTA: En algunos países, la tapa del depósito no tiene una correa (3).



Almacenamiento del combustible

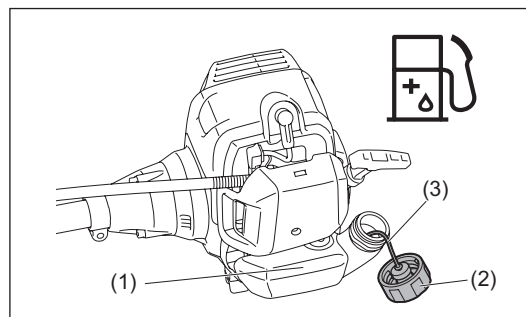
El combustible no se puede guardar durante un período de tiempo ilimitado. Compre solamente la cantidad necesaria para 4 semanas de uso. Utilice únicamente recipientes homologados para el almacenamiento de combustible.



¡Siga las instrucciones de seguridad de la página 109!



Gasolina (súper sin plomo)	+	50:1 OIL
		
1.000 cc (1 L)		20 cc
5.000 cc (5 L)		100 cc
10.000 cc (10 L)		200 cc



MANEJO CORRECTO DE LA MÁQUINA

ADVERTENCIA: Si no se mantiene un control completo de la máquina, se pueden causar lesiones corporales graves o la MUERTE.

Instalación de la correa para el hombro

- Ajuste la longitud de la correa para el hombro de forma que la cuchilla de corte quede paralela al suelo.

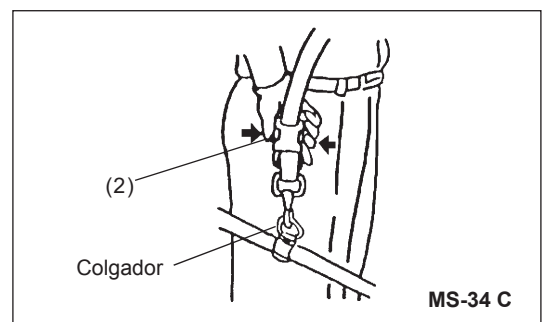
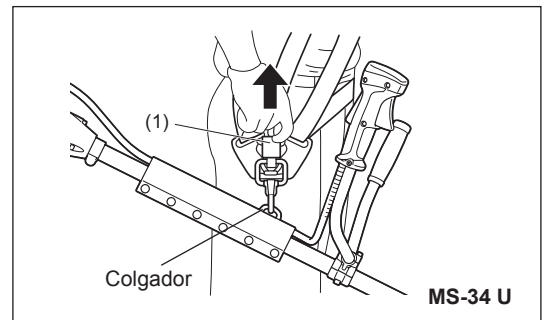
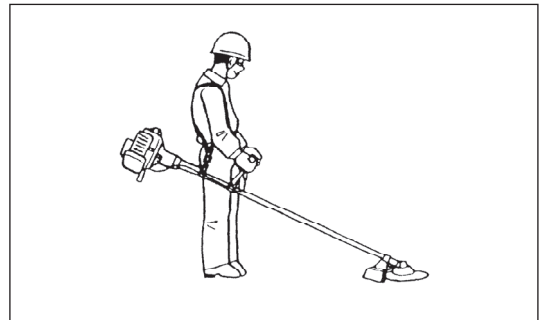
Separación

Para MS-34 U

- En una emergencia, tire del gancho (1) para desacoplar la máquina de usted. Procure no perder el control de la máquina en ese momento. No permita que la máquina se desvíe hacia usted o hacia cualquiera que se encuentre cerca de usted.

Para MS-34 C

- En una emergencia, pulse las muescas (2) en ambos lados y puede soltar la máquina. Procure no perder el control de la máquina en ese momento. No permita que la máquina se desvíe hacia usted o hacia cualquiera que se encuentre cerca de usted.



ASPECTOS DEL MANEJO Y CÓMO PARAR LA MÁQUINA

PRECAUCIÓN: ¡Respete las normativas de prevención de accidentes en vigor!

ARRANQUE

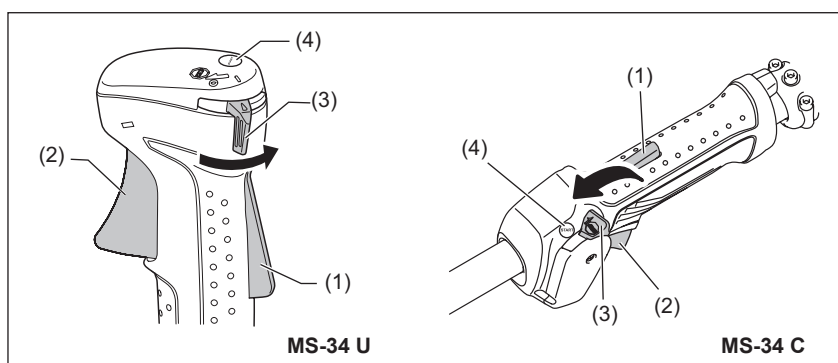
ADVERTENCIA: Tenga en cuenta que la herramienta de corte gira inmediatamente tras ponerse en marcha el motor. Asegúrese de que la herramienta de corte no esté en contacto con objetos duros como ramas, piedras, etc.

PRECAUCIÓN:

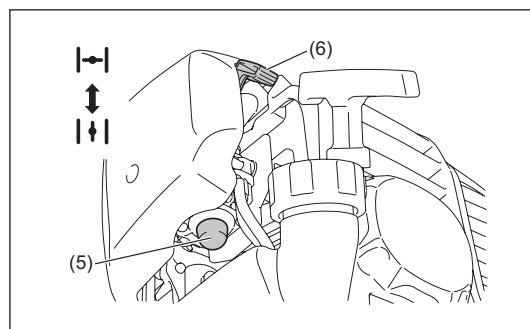
- Aléjese 3 m como mínimo del lugar de repostaje. Coloque la unidad en el suelo, teniendo cuidado de que la herramienta de corte no entre en contacto con el suelo o con otros objetos.
- Nunca tire por completo de la cuerda de arranque. Cuando haya tirado de la empuñadura de arranque, no la suelte inmediatamente. Sujete la empuñadura de arranque hasta que vuelva a su posición original.

A: Arranque en frío

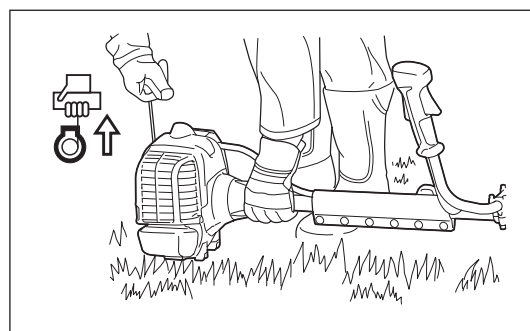
- 1) Coloque la máquina sobre una superficie plana.
- 2) Agarre el asidero (el bloqueo de seguridad (1) se suelta al agarrarlo).
- 3) Pulse la palanca de la mariposa de gases (2) y manténgala pulsada.
- 4) Deslice el interruptor I-O (3) hasta START (ARRANQUE) (4). Hace que la palanca de la mariposa de gases esté en el estado de bloqueo a mitad de la mariposa de gases.



- 5) Pulse suavemente la bomba de cebado (5) de forma repetida (7 - 10 veces) hasta que el combustible entre en la bomba de cebado.
- 6) Mueva la palanca del estrangulador (6) hasta la posición superior (|↑| - estrangulador cerrado).



- 7) Sujete firmemente la unidad con su mano izquierda.
- 8) Tire de la empuñadura de arranque suavemente hasta que note la compresión. A continuación, tire de ella enérgicamente.
- 9) Repita la operación de puesta en marcha hasta que oiga la ignición inicial.
- 10) Cuando el motor se ponga en marcha, devuelva la palanca del estrangulador a la posición " |↓| - estrangulador abierto".
- 11) En cuanto el motor se ponga en marcha, sujete inmediatamente el asidero (el bloqueo de seguridad se libera al agarrarlo), tire del disparador de la mariposa de gases durante un rato y suéltela. (Libera el estado de bloqueo a la mitad de la mariposa de gases y el motor funciona al ralentí.)
- 12) Deje que el motor funcione durante aproximadamente un minuto a una velocidad moderada antes de que funcione a la máxima velocidad.



B: Arranque en caliente

- Procedimiento idéntico al anterior, excepto por el movimiento de la palanca del estrangulador (la palanca del estrangulador permanece en la posición " |↓| - estrangulador abierto").

NOTA:

Si se produce una entrada excesiva de combustible, extraiga la bujía y tire lentamente de la empuñadura de arranque para eliminar el exceso de combustible. Asimismo, seque la sección del electrodo de la bujía.

Precaución durante el funcionamiento: Si la palanca de la mariposa de gases se abre completamente durante el funcionamiento sin carga, las revoluciones del motor aumentan por encima de las 10.000 min⁻¹ o más.

No haga funcionar el motor nunca a una velocidad superior a la necesaria. Haga funcionar el motor a una velocidad aproximada de 6.000 - 8.000 min⁻¹.

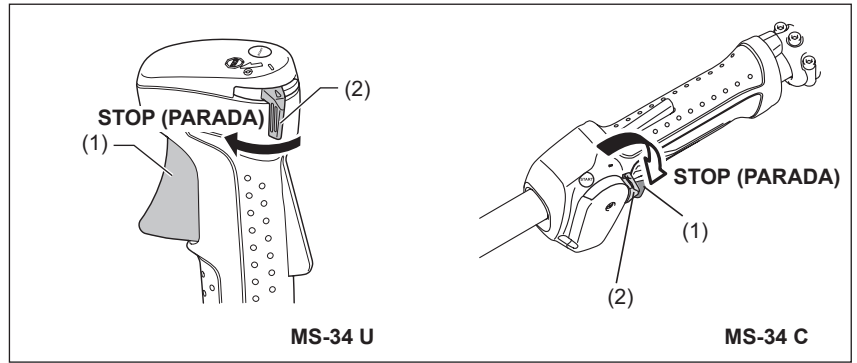
PARADA

- 1) Suelte la palanca de la mariposa de gases (1) completamente.
- 2) Cuando se reduzcan las revoluciones del motor, ajuste el interruptor I-O (2) en la posición STOP (PARADA).

PRECAUCIÓN:

Tenga en cuenta que es posible que el cabezal de corte no se detenga inmediatamente.

Deje que reduzca su velocidad hasta detenerse completamente.

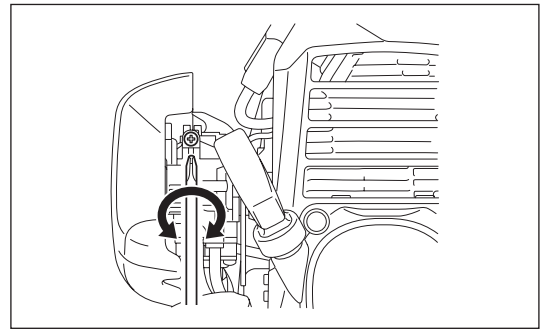


AJUSTE DE LA VELOCIDAD DE RALENTÍ

Cuando sea necesario ajustar la velocidad de ralentí, hágalo mediante el tornillo de ajuste del carburador.

COMPROBACIÓN DE LA VELOCIDAD DE RALENTÍ

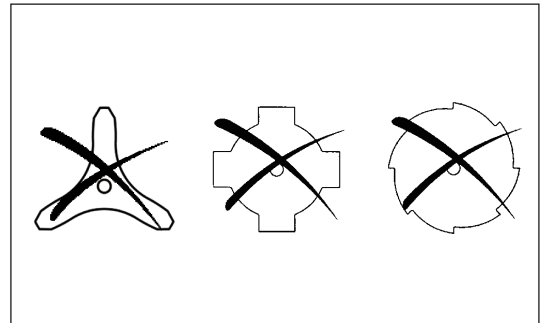
- Ajuste la velocidad de ralentí en 2.800 min⁻¹. Si resulta necesario cambiar la velocidad de ralentí, utilice un destornillador de punta Phillips en el tornillo.
- Para aumentar la velocidad de ralentí, gire el tornillo de ajuste en el sentido de las agujas del reloj. Para reducir la velocidad de ralentí, gire el tornillo de ajuste en el sentido contrario a las agujas del reloj.
- El carburador viene ajustado de fábrica. No obstante, tras varios usos, la velocidad de ralentí se debe reajustar.



AFILADO DE LA HERRAMIENTA DE CORTE

PRECAUCIÓN: Las herramientas de corte que se muestran en la ilustración no se deben afilar. El afilado manual causará desequilibrios en la herramienta de corte que provocarán vibraciones y daños en el equipo.

NOTA: Para aumentar la duración de la cuchilla de corte dé la vuelta a la cuchilla una vez para que se gasten ambos lados.



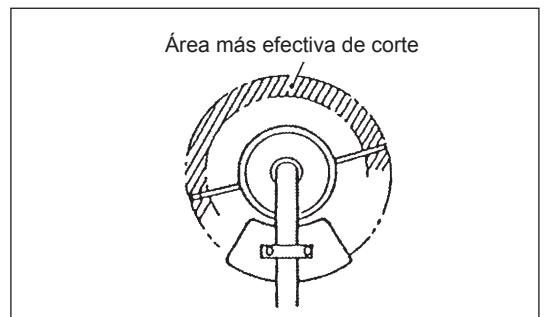
CABEZAL DE CORTE DE NYLON

El cabezal de corte de nylon es un cabezal de corte de hilo doble con mecanismos de sacudida y avance.

El cabezal de corte de nylon extiende el hilo de nylon tras dar una sacudida al cabezal de corte contra el suelo.

Funcionamiento

- Aumente la velocidad del cabezal de corte de nylon a aproximadamente 6.000 min⁻¹. Sacuda el cabezal de corte de nylon suavemente contra el suelo.
- El área más efectiva de corte se muestra mediante el área sombreada.
- Si el hilo de nylon no se alarga correctamente, rebóbinelo o sustitúyalo siguiendo los procedimientos descritos en "Reemplazo del hilo de nylon".

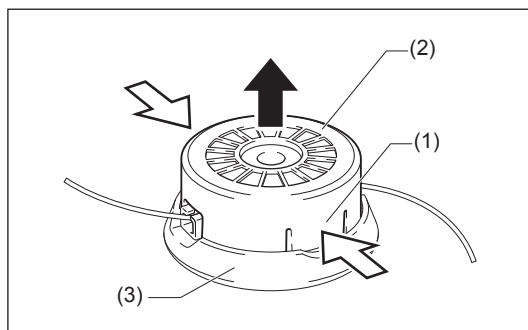


Reemplazo del hilo de nylon (SACUDIDA y AVANCE)

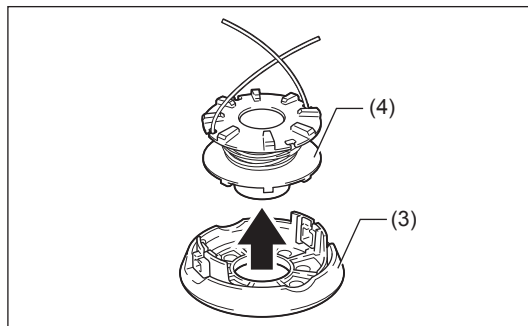
⚠ ADVERTENCIA:

- Asegúrese de que la cubierta del cabezal de corte de nylon esté fijada al chasis correctamente como se describe más abajo. Si la cubierta no se fija correctamente, el cabezal de corte de nylon puede salir despedido y provocar graves lesiones personales.

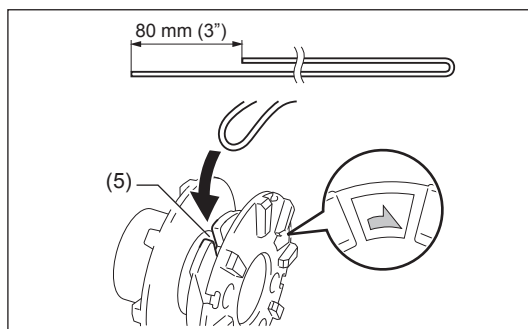
1. Presione hacia dentro los pestillos (1) del alojamiento (2) y tire hacia arriba para extraer la cubierta (3).



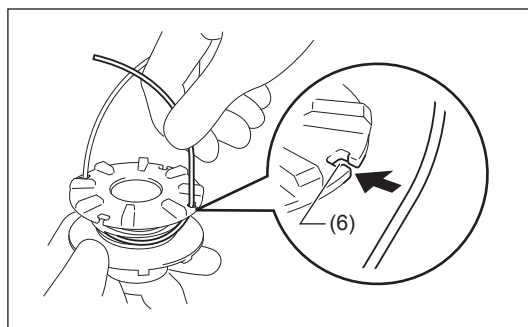
2. Suelte el hilo de nylon del ojal y retire el carrete (4) de la cubierta. Descarte el hilo de nylon restante.



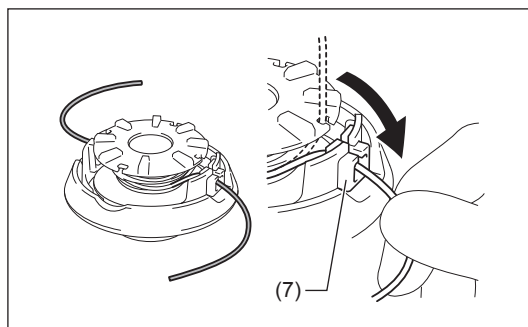
3. Enganche la mitad del nuevo hilo de nylon en la muesca (5) que se encuentra en el centro del carrete entre los 2 canales. Un extremo del hilo debe ser unos 80 mm (3") más largo que el otro extremo. Enrolle ambos extremos firmemente alrededor del carrete en la dirección de la marca de la flecha en el carrete.



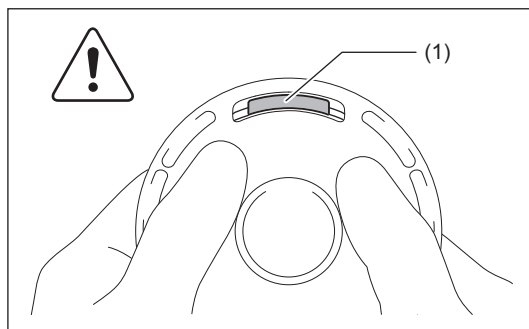
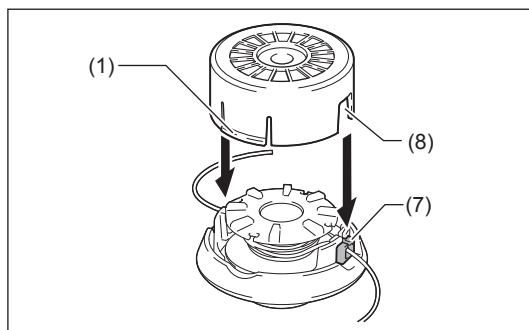
4. Enrolle la totalidad de los hilos excepto 100 mm (4") de los hilos, dejando los extremos temporalmente enganchados en las muescas (6).



5. Monte el carrete en la cubierta de forma que las muescas de retención coincidan con los ojales (7). Desenganche los extremos del hilo de su posición temporal y haga pasar los hilos por los ojales.



6. Alinee las hendiduras cuadradas (8) del alojamiento con los ojales (7). A continuación, presione el alojamiento firmemente sobre la cubierta para fijarla. Asegúrese de que los pestillos (1) se extiendan completamente sobre la cubierta.



INSTRUCCIONES DE SERVICIO

PRECAUCIÓN: Antes de realizar algún trabajo en el equipo, detenga siempre el motor y desconecte el conector de la bujía (consulte "comprobación de la bujía").
¡Utilice siempre guantes de protección!

Para garantizar una larga vida útil y para evitar daños en el equipo, realice las siguientes operaciones de mantenimiento periódicamente.

Inspección diaria y mantenimiento

- Antes de la puesta en funcionamiento, compruebe la máquina por si tiene tornillos flojos o si faltan piezas. Preste especial atención al apriete de la cuchilla metálica o del cabezal de corte de nylon.
- Antes de la puesta en funcionamiento, compruebe siempre que el conducto de aire de refrigeración y las aletas del cilindro no estén obstruidas.
Límpielos si es necesario.
- Realice diariamente las siguientes operaciones tras el uso:
 - Limpie el equipo externamente y busque si hay daños.
 - Limpie el filtro de aire. Cuando trabaje en condiciones extremas de polvo, limpie el filtro varias veces al día.
 - Compruebe si la cuchilla o el cabezal de corte de nylon están estropeados y asegúrese de que se hayan montado firmemente.
 - Compruebe que haya una diferencia suficiente entre la velocidad de ralentí y la velocidad de trabajo para garantizar que la herramienta de corte esté parada mientras el motor funciona al ralentí (si es necesario, reduzca la velocidad de ralentí).
Si en las condiciones de ralentí la herramienta sigue funcionando, consulte con su agente de servicio autorizado más cercano.
- Compruebe el funcionamiento del interruptor I-O, la palanca de desbloqueo, la palanca de la mariposa de gases y el botón de bloqueo.

LIMPIEZA DEL FILTRO DE AIRE



ADVERTENCIA: Apague el motor, manténgase alejado de las llamas y no fume.

Intervalo de limpieza e inspección: Diariamente (cada 10 horas de uso)

- Gire la palanca del estrangulador (4) hasta el lado de cierre total y mantenga el carburador alejado del polvo o de la suciedad.

Extracción de la cubierta del filtro de aire

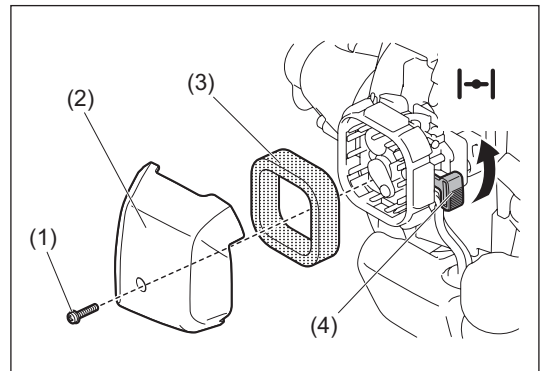
- Retire el tornillo (1) y después retire la cubierta del filtro de aire (2).

Elemento limpiador

- Retire el elemento (3) y golpéelo suavemente para eliminar la suciedad.
- Si está muy contaminado:
Quite el elemento de esponja, lávelo en detergente diluido en agua y séquelo completamente.
- Cuando el elemento se haya secado, sumérgalo en aceite de motor de 2 tiempos y retuézalo para retirar el exceso de aceite.
- Antes de acoplar el elemento de esponja, asegúrese de que el aceite se aplique al elemento uniformemente. Un exceso de aceite puede dificultar la puesta en marcha.
- Limpie con un paño el aceite adherido alrededor de la cubierta del filtro de aire.

Montaje de la cubierta del filtro de aire

- Tras la limpieza, devuelva el elemento de esponja. Vuelva a colocar la cubierta del filtro de aire. A continuación, apriétela con el tornillo.



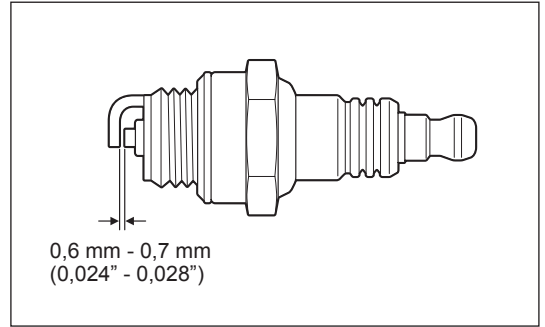
AVISO:

- Si el filtro de aire tiene adherido demasiado polvo o suciedad, límpielo todos los días. Los elementos sucios reducen la potencia del motor y dificultan el arranque del motor.
- Retire el aceite de los elementos. Si se continúa con el uso sin limpiar de aceite los elementos, el aceite del filtro de aire puede caer en el exterior y provocar contaminación del medio ambiente.
- No coloque los elementos en el suelo o en un lugar sucio. Si lo hace, se ensuciarán o acumularán residuos y el motor se puede dañar.
- Nunca utilice combustible para limpiar los elementos. El combustible puede dañarlos.

COMPROBACIÓN DE LA BUJÍA

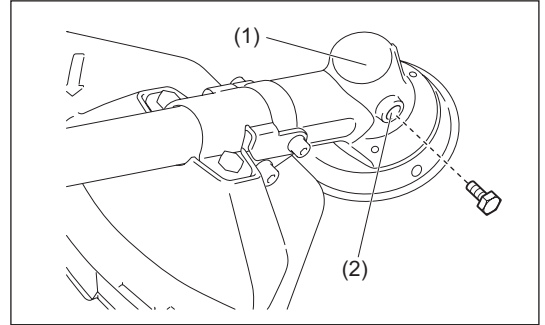
- Utilice solamente la llave de vaso suministrada para quitar o poner la bujía.
- La holgura entre los dos electrodos de la bujía debe ser de 0,6 - 0,7 mm (0,024" - 0,028"). Si la holgura es demasiado grande o pequeña, ajústela. Si la bujía está obstruida o contaminada, límpiela minuciosamente o reemplácela. Coloque el capuchón de la bujía correctamente, como se muestra en la ilustración, tras la comprobación.

PRECAUCIÓN: Nunca toque el conector de la bujía mientras el motor está funcionando (peligro de recibir una descarga eléctrica de alta tensión).



SUMINISTRO DE GRASA A LA CAJA DE ENGRANAJES

- Suministre grasa (Shell Alvania 2 o equivalente) a la caja de engranajes (1) a través del orificio de engrase (2) cada 30 horas. (Puede comprar grasa original de DOLMAR en su distribuidor DOLMAR.)



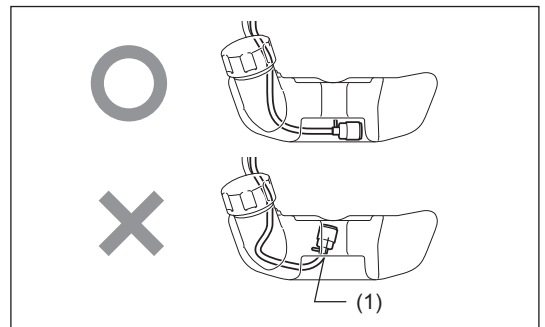
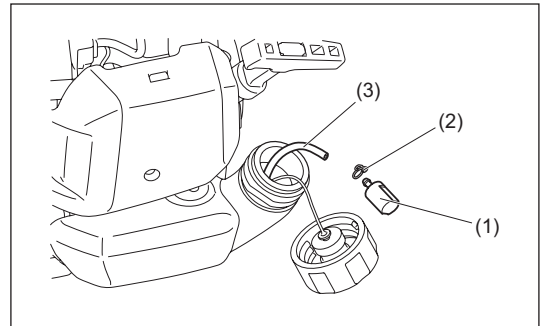
LIMPIEZA DEL FILTRO DE COMBUSTIBLE ADVERTENCIA: LOS MATERIALES INFLAMABLES ESTÁN ESTRICTAMENTE PROHIBIDOS

Intervalo de inspección: Mensualmente (cada 50 horas de uso)

Cabezal de succión en el depósito de combustible

Compruebe el filtro de combustible (1) periódicamente. Para comprobar el filtro de combustible, siga estos pasos:

1. Retire la tapa del depósito de combustible y drene el combustible hasta vaciar el depósito. Compruebe si hay materiales extraños en el interior del depósito. Si los hubiera, retírelos.
2. Extraiga el cabezal de succión mediante un gancho de alambre a través de la apertura del depósito.
3. Si el filtro de combustible está ligeramente obstruido, límpielo. Para limpiarlo, sacúdalo y golpéelo suavemente en combustible. Para evitar daños, no lo apriete ni lo frote. El combustible que se utiliza para la limpieza se debe desechar de acuerdo con el método especificado por la legislación de su país. Si el filtro de combustible se ha endurecido o está muy obstruido, sustitúyalo.
4. Tras comprobarlo, limpiarlo o sustituirlo, inserte el filtro de combustible en el conducto de combustible (3) y fíjelo mediante la brida (2). Empuje el filtro de aceite completamente hasta la parte inferior del depósito de combustible.



Un filtro de combustible obstruido o dañado puede provocar un suministro insuficiente de combustible y puede reducir la potencia del motor. Sustituya el filtro de combustible como mínimo trimestralmente para garantizar un suministro de combustible satisfactorio al carburador.

REEMPLAZO DEL CONDUCTO DE COMBUSTIBLE

PRECAUCIÓN: LOS MATERIALES INFLAMABLES ESTÁN Estrictamente PROHIBIDOS

Intervalo de limpieza e inspección: Diariamente (cada 10 horas de uso)

Reemplazo: Anualmente (cada 200 horas de uso)

Reemplace el conducto de combustible (1) cada año, independientemente de la frecuencia de utilización. La fuga de combustible puede provocar un incendio. Si se detecta una fuga durante la inspección, reemplace el conducto de combustible inmediatamente.

INSPECCIÓN DE LOS PERNOS, LAS TUERCAS Y LOS TORNILLOS

- Reapriete los pernos, tuercas y demás elementos flojos.
- Compruebe si la tapa de combustible y la tapa de aceite se han apretado firmemente. Compruebe si hay fugas de combustible y aceite.
- Reemplace las piezas dañadas con piezas nuevas para garantizar un uso seguro.

LIMPIEZA DE LAS PIEZAS

- Mantenga siempre limpio el motor con un paño de trapo.
- Mantenga las aletas del cilindro libres de polvo o suciedad. El polvo o la suciedad adheridos a las aletas provocarán el gripado del pistón.

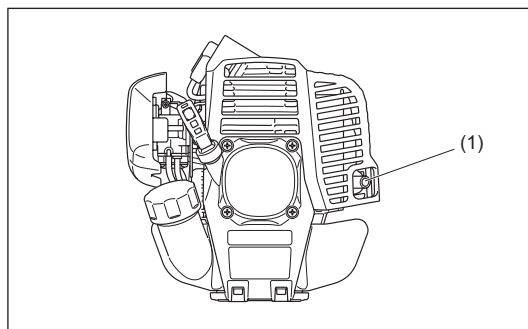
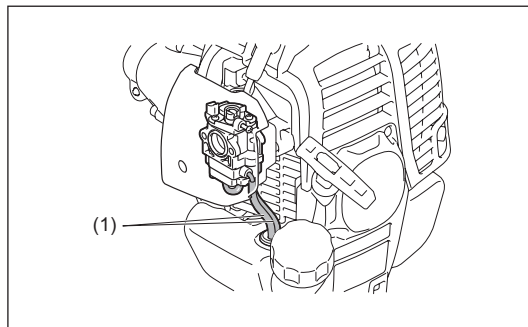
REEMPLAZO DE LAS JUNTAS Y RETENES

Reemplace las juntas y los retenes si se desmonta el motor.

Cualquier mantenimiento o trabajo de ajuste que no se describa en este manual solamente deben realizarlo agentes de servicio autorizados.

LIMPIEZA DEL PUERTO DE ESCAPE DEL SILENCIADOR

- Compruebe el puerto de escape del silenciador (1) periódicamente.
- Si está obstruido con depósitos de carbonilla, rasque con cuidado los depósitos de carbonilla con una herramienta apropiada.



ALMACENAMIENTO

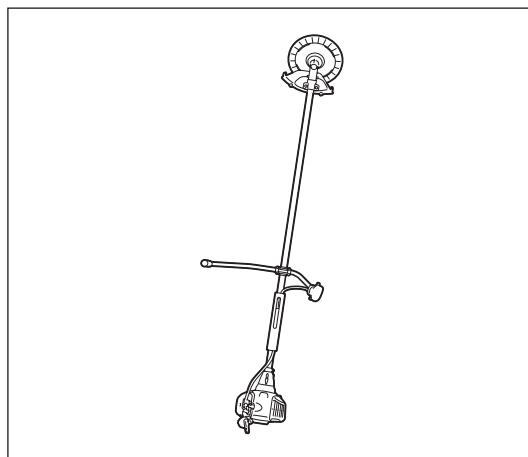


ADVERTENCIA: El motor está caliente justo después de pararlo. Cuando drene el combustible, deje suficiente tiempo para que el motor se enfríe tras detenerlo. De lo contrario puede sufrir quemaduras en la piel y/o se puede producir un incendio.



PELIGRO: Cuando la herramienta no se vaya a usar durante mucho tiempo, drene todo el combustible del depósito de combustible y el carburador y manténgalo en un lugar seco y limpio.

- Drene el combustible del depósito de combustible y del carburador de acuerdo con el siguiente procedimiento:
 - 1) Extraiga la tapa del depósito de combustible y drene el combustible completamente.
Si queda algún objeto extraño en el depósito de combustible, retírelo completamente.
 - 2) Extraiga el filtro de combustible de la abertura de relleno mediante un alambre.
 - 3) Presione la bomba de combustible hasta que se haya drenado el combustible y drene el combustible que entra en el depósito de combustible.
 - 4) Coloque el filtro en el depósito de combustible y fije firmemente la tapa del depósito de combustible.
 - 5) A continuación, continúe con la máquina encendida hasta que el motor se detenga.
- Extraiga la bujía y aplique varias gotas de aceite de motor a través del orificio de la bujía.
- Tire suavemente de la empuñadura de arranque para que el aceite de motor se extienda por el motor y, a continuación, vuelva a colocar la bujía.
- Monte la cubierta en la cuchilla metálica.
- En general, almacene la máquina en posición horizontal. Si no es posible, coloque la máquina con la unidad del motor debajo de la herramienta de corte. De lo contrario puede verterse aceite de motor desde el interior.
- Mantenga el combustible drenado en un contenedor especial en una zona a la sombra y bien ventilada.



Elemento \ Tiempo de funcionamiento		Antes del uso	Tras el repostaje	Diariamente (10 h)	30 h	50 h	200 h o 1 año, lo que se produzca antes	Antes del almacenamiento	P correspondiente
Apretar piezas (perno, tuerca)	Inspeccione	○							125
Depósito de combustible	Limpie	○							—
	Vacíe el combustible							○*2	125
Palanca de la mariposa de gases	Compruebe el funcionamiento		○						—
Interruptor de parada	Compruebe el funcionamiento		○						123
Herramienta de corte	Inspeccione	○		○					115
Velocidad de ralentí	Inspeccione/ ajuste			○					120
Filtro de aire	Limpie			○					123
Bujía	Inspeccione			○					124
Conducto de aire de refrigeración y aletas del cilindro	Limpie/ inspeccione			○					125
Conducto de combustible	Inspeccione			○					125
	Debe sustituirse						◎*1		—
Grasa de la caja de engranajes	Rellene				○				124
Silenciador	Inspeccione/ Limpie la abertura				○				—
Filtro de combustible	Limpie/ Reemplace					○			124
Carburador	Vacíe el combustible							○*2	125

*1 Para la inspección de las 200 horas de uso, contacte con un agente de servicio autorizado o un taller mecánico.

*2 Tras vaciar el depósito de combustible, continúe haciendo funcionar el motor y drene el combustible del carburador.

LOCALIZACIÓN Y SOLUCIÓN DE AVERÍAS

Antes de realizar una solicitud de reparación, compruebe usted mismo el problema. Si encuentra una anomalía, controle la máquina de acuerdo con la descripción de este manual. Nunca manipule ni desmonte ninguna pieza de forma contraria a la descripción. Si es necesario realizar reparaciones, póngase en contacto con un centro de servicio autorizado o un distribuidor local.

Estado anómalo	Causa probable (mal funcionamiento)	Solución
El motor no se enciende.	El interruptor I-O está ajustado en STOP (PARADA).	Ajuste el interruptor I-O en START (ARRANQUE).
	No se ha accionado la bomba de cebado.	Púlsela de 7 a 10 veces.
	Se ha tirado del cable del arrancador a baja velocidad.	Tire con fuerza.
	Falta de combustible.	Reposte combustible.
	Posición incorrecta del estrangulador.	Ajústelo en "CERRAR" (arranque en frío). Ajústelo en "ABRIR" (arranque en caliente).
	Filtro de combustible obstruido.	Debe sustituirse.
	Tubo de combustible doblado o bloqueado.	Enderece o reemplace el tubo de combustible.
	Combustible deteriorado.	El combustible deteriorado hace que la puesta en marcha sea más difícil. Reemplácelo con combustible nuevo. (Reemplazo recomendado: 1 mes)
	Succión de combustible excesiva.	Ajuste la palanca de la mariposa de gases entre una velocidad media y alta y tire de la empuñadura de arranque hasta que se ponga en marcha el motor. Cuando se haya puesto en marcha el motor, la herramienta de corte de corte empezará a girar. Preste atención a la herramienta de corte. Si el motor sigue sin encenderse, extraiga la bujía, seque el electrodo y vuelva a montarla en su posición original. A continuación, arranque según las instrucciones.
	Capuchón de la bujía suelto.	Acóplelo firmemente.
	Bujía sucia.	Limpie.
	Holgura anómala de la bujía.	Ajústela.
	Anomalía de la bujía.	Debe sustituirse.
	Anomalía del carburador.	Solicite que se realice la inspección y mantenimiento.
	No se puede tirar del cable del arrancador o no se nota la compresión.	Solicite que se realice la inspección y mantenimiento.
Anomalía del sistema de transmisión/eléctrico. (Fallo del interruptor I-O, fallo del cableado, fallo del conector, etc.)	Solicite que se realice la inspección y mantenimiento.	
El motor se para al poco tiempo. La velocidad del motor no aumenta.	Calentamiento insuficiente.	Realice la operación de calentamiento.
	La palanca del estrangulador está ajustada en "CERRAR" aunque el motor se ha calentado.	Ajústela en "ABRIR".
	Baja velocidad de ralentí.	Ajuste la velocidad de ralentí.
	Filtro de combustible obstruido.	Debe sustituirse.
	Filtro de aire sucio u obstruido.	Limpiar o sustituir.
	Anomalía del carburador.	Solicite que se realice la inspección y mantenimiento.
	Fallo del silenciador de escape. (obstruido, etc.)	Solicite que se realice la inspección y mantenimiento.
Anomalía del sistema de transmisión/eléctrico.	Solicite que se realice la inspección y mantenimiento.	
La cuchilla metálica no gira. ↓ Pare el motor inmediatamente.	La tuerca de apriete de la cuchilla metálica se ha aflojado.	Apriétela firmemente.
	Pequeñas ramas atrapadas por la cuchilla metálica o la cubierta para impedir su dispersión.	Retire los objetos extraños.
	Anomalía del sistema de transmisión.	Solicite que se realice la inspección y mantenimiento.
La unidad principal vibra de forma anómala. ↓ Pare el motor inmediatamente.	La cuchilla metálica está rota, doblada o gastada.	Sustituya la cuchilla metálica.
	La tuerca de apriete de la cuchilla metálica se ha aflojado.	Apriétela firmemente.
	Se ha movido la parte convexa de la cuchilla metálica y el soporte de la cuchilla metálica.	Acóplelo firmemente.
	Anomalía del sistema de transmisión.	Solicite que se realice la inspección y mantenimiento.
La cuchilla metálica no se detiene inmediatamente. ↓ Pare el motor inmediatamente.	Alta velocidad de ralentí.	Ajuste la velocidad de ralentí.
	Se ha soltado el cable de la mariposa de gases.	Acóplelo firmemente.
	Anomalía del sistema de transmisión.	Solicite que se realice la inspección y mantenimiento.
El motor no se para. ↓ Haga funcionar el motor al ralentí y ajuste la palanca del estrangulador en CERRAR.	Conector desconectado.	Acóplelo firmemente.
	Anomalía del sistema eléctrico.	Solicite que se realice la inspección y mantenimiento.

- Cuando el motor no se ponga en marcha tras la operación de calentamiento:
Si no hay ninguna anomalía en los elementos comprobados, abra la mariposa de gases 1/3 y ponga en marcha el motor.
- Si se produce una anomalía que no se indica en esta tabla, póngase en contacto con el centro de servicio autorizado.

Obrigado por ter adquirido o Equipamento Eléctrico para Exteriores da DOLMAR. Temos o orgulho de recomendar um produto DOLMAR que é o resultado de um longo programa de desenvolvimento e muitos anos de conhecimento e experiência.

Leia esta brochura cuidadosamente que se refere em pormenor aos vários pontos que irão demonstrar o fantástico desempenho. Irá ajudá-lo a obter os melhores resultados possíveis do seu produto DOLMAR.

**Índice****Página**

Símbolos.....	128
Instruções de segurança	129
Dados técnicos	133
Designação de peças	134
Montagem da pega.....	135
Montagem do protector	136
Montar a ferramenta de corte.....	137
Combustíveis/reabastecer combustível.....	138
Manuseamento correcto da máquina.....	139
Pontos sobre o funcionamento e como parar.....	140
Voltar a afiar a ferramenta de corte.....	141
Instruções de serviço.....	144
Armazenamento	146
Resolução de problemas.....	148

SÍMBOLOS

Tome atenção aos seguintes símbolos ao ler o manual de instruções.

	Leia o manual de instruções e siga os avisos e as precauções de segurança!		Mantenha a área de funcionamento livre de pessoas e animais!
	Tenha um cuidado e atenção especiais!		Use um capacete e protecção para os olhos e ouvidos!
	Proibido!		Velocidade máxima admissível da ferramenta
	Mantenha-se afastado!		Mistura de combustível e óleo
	Perigo de objectos voadores!		Arranque manual do motor
	Recuo!		Paragem de emergência
	Proibido fumar!		Primeiros-socorros
	Sem chamas abertas!		LIGAR/ARRANCAR
	Deve utilizar luvas de protecção!		DESLIGAR/PARAR
	Use botas resistentes com solas não derrapantes. Recomenda-se a utilização de botas de segurança com biqueira de aço!		POSIÇÃO DE BLOQUEIO DO ACELERADOR

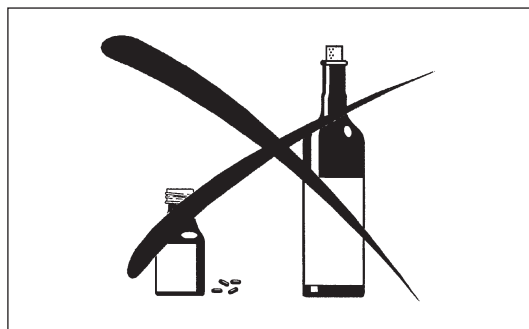
INSTRUÇÕES DE SEGURANÇA

Instruções gerais

- Leia este manual de instruções para se familiarizar com o manuseamento do equipamento. Utilizar este equipamento sem entender como operá-lo correctamente pode resultar em ferimentos graves em si ou em outros.
- É aconselhável emprestar o equipamento apenas a pessoas que demonstraram ter experiência.
Empreste-lhes sempre este manual de instruções ao mesmo tempo.
- Se é a primeira vez que utiliza roçadeiras consulte o seu revendedor para instruções básicas.
- Crianças e pessoas novas com menos de 18 anos não devem operar este equipamento. Pessoas com mais de 16 anos podem, no entanto, utilizar o dispositivo para efeitos de treino, apenas durante a supervisão de um formador qualificado.
- Utilize com o máximo de cuidado e atenção.
- Opere apenas se estiver em boas condições físicas. Efectue todos os trabalhos com calma e cuidado. O utilizador deve aceitar a responsabilidade pelos que estão em sua volta.
- Nunca utilize o equipamento após o consumo de álcool ou drogas, ou se estiver cansado ou doente.
- As regulamentações nacionais podem proibir a utilização da máquina.

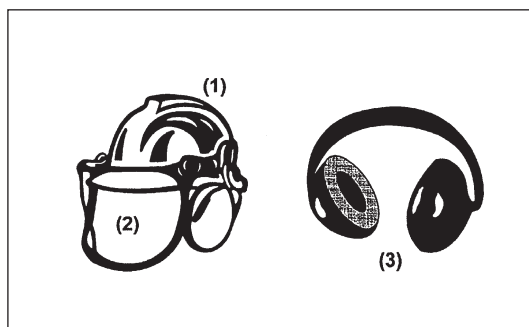
Utilização pretendida da máquina

- Este equipamento destina-se apenas a cortar relva, ervas daninhas, arbustos, vegetação rasteira. Não deve ser utilizado para outros fins como aparar sebes, uma vez que pode causar ferimentos.



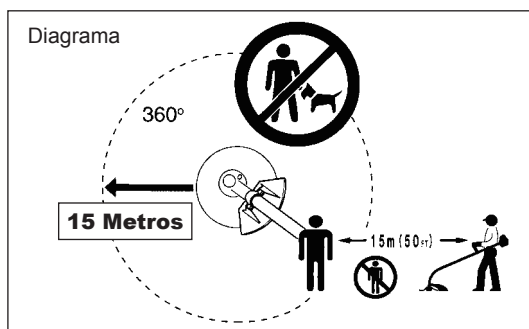
Equipamento de protecção pessoal

- Utilize sempre roupas que sejam funcionais e apropriadas ao seu trabalho, isto é, que fiquem justas mas não demasiado apertadas ao ponto de causar um movimento desconfortável. Não utilize joalheria ou roupas que possam ficar presas nos arbustos.
- Para evitar ferimentos na cabeça, olhos, mãos ou pés, assim como para proteger a sua audição, deve utilizar o seguinte equipamento e roupa de protecção durante o funcionamento.
- Utilize um capacete sempre que existir risco de queda de objectos. Deve verificar regularmente se existem danos no capacete protector (1) e deve substituí-lo, no mínimo, após 5 anos. Utilize apenas capacetes protectores aprovados.
- O visor (2) do capacete (ou óculos, em alternativa) protege a face de resíduos e pedras. Durante a utilização, utilize sempre óculos ou um visor para evitar ferimentos oculares.
- Use equipamento de protecção contra ruído adequado para evitar deficiências auditivas (protector auditivo (3), tampões para os ouvidos etc.).
- Os fatos-macaco (4) protegem contra pedras e resíduos.
Recomendamos vivamente que o utilizador use fatos-macaco.
- As luvas (5) fazem parte do equipamento indicado e devem ser sempre utilizadas durante a utilização.
- Ao usar o equipamento, use sempre sapatos resistentes (6) com uma sola não derrapante. Estes sapatos protegem contra ferimentos e asseguram um bom apoio.



Ligar a roçadeira

- Certifique-se de que não há crianças ou outras pessoas a trabalhar num raio de 15 metros, tome também atenção a animais nas proximidades.
- Antes da utilização, certifique-se sempre de que o equipamento está seguro: Certifique-se de que a ferramenta de corte é segura, de que a alavanca do acelerador pode ser operada facilmente e de que o bloqueio da alavanca do acelerador está a funcionar correctamente.
- A rotação da ferramenta de corte durante a marcha lenta é proibida. Consulte o seu revendedor se achar que o equipamento pode precisar de ajustes. Certifique-se de que as pegadas estão limpas e secas e de que o botão de arranque/paragem está a funcionar correctamente.

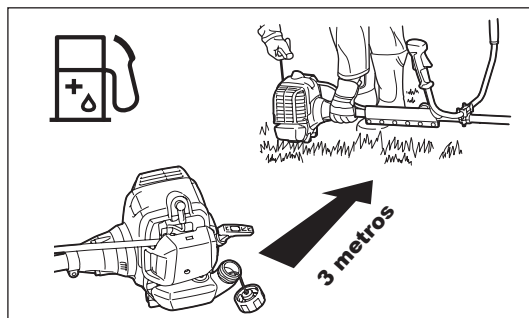
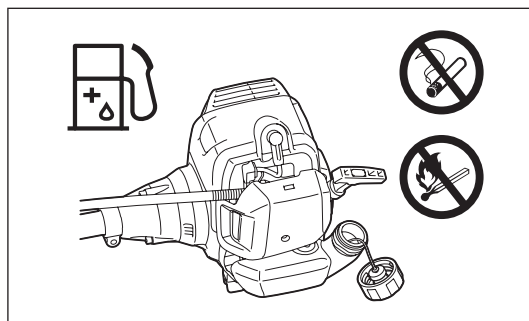
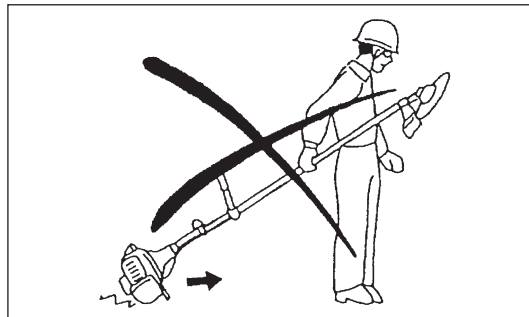
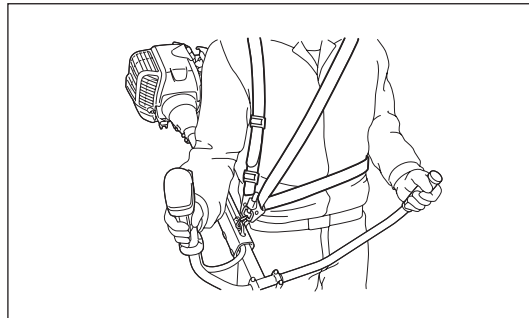
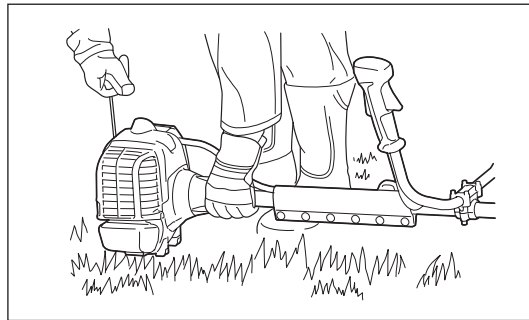


Ligue a roçadeira apenas de acordo com as instruções.

- Não utilize outros métodos para arrancar o motor!
- Utilize a roçadeira e as ferramentas apenas para as aplicações especificadas.
- Ligue o motor apenas após a conclusão da montagem. Não opere o equipamento até que todos os acessórios apropriados estejam fixos!
- Antes de arrancar, certifique-se de que a ferramenta de corte não está em contacto com objectos duros como ramos, pedras etc., uma vez que a ferramenta de corte irá rodar ao arrancar.
- Desligue o motor imediatamente se ocorrer algum tipo de problema no motor.
- Caso a ferramenta de corte atinja pedras ou outros objectos duros, desligue imediatamente o motor e inspecione a ferramenta de corte.
- Inspeccione a ferramenta de corte em intervalos curtos regulares para se certificar de que não está danificada (detecção de fissuras utilizando o teste do toque).
- Se o equipamento sofrer um impacto ou queda, verifique o seu estado antes de continuar a trabalhar. Verifique o sistema de combustível por fugas de combustível e os comandos e dispositivos de segurança por avarias. Se existirem danos ou dúvidas, solicite o nosso centro de assistência autorizado para a inspeção e reparação.
- Opere o equipamento apenas com o arnês dos ombros, o qual deve ser correctamente ajustado antes de colocar a roçadeira em funcionamento. O arnês dos ombros deve estar ajustado ao tamanho do utilizador para evitar fadiga durante o manuseamento do equipamento. Nunca segure a roçadeira com uma mão durante a utilização.
- Durante o funcionamento, segure sempre a roçadeira com ambas as mãos. Certifique-se sempre de que tem um apoio seguro.
- Opere o equipamento de maneira a evitar a inalação dos gases de escape. Nunca arranque o motor num espaço fechado (risco de envenenamento por gás). O monóxido de carbono é um gás sem odor.
- Desligue sempre o motor quando estiver em repouso, ou se pretende deixar o equipamento sem vigilância, e coloque-o num local seguro para evitar ferimentos a outras pessoas e danos no equipamento.
- Nunca coloque a roçadeira quente sobre a relva seca ou em quaisquer outros materiais combustíveis.
- Instale sempre o resguardo da ferramenta de corte aprovado no equipamento antes de ligar o motor. Caso contrário, o contacto com a ferramenta de corte pode causar ferimentos graves.
- Todas as instalações de protecção e resguardos fornecidos com esta máquina devem ser usados durante o funcionamento.
- Nunca opere o motor se o silenciador de escape estiver avariado.
- Desligue o motor durante o transporte.
- Ao transportar o equipamento, instale sempre a tampa na lâmina metálica.
- Certifique-se de que o equipamento está seguro durante o transporte automóvel, de modo a evitar fugas de combustível.
- Durante o transporte, certifique-se de que o depósito de combustível está totalmente vazio.
- Quando descarregar o equipamento, nunca deixe cair o motor no chão, uma vez que tal pode danificar gravemente o depósito de combustível.
- Excepto em caso de emergência, nunca deixe cair nem atire o equipamento ao chão uma vez que isto pode danificá-lo gravemente.
- Lembre-se de levantar todo o equipamento do chão ao movê-lo. Arrastar o equipamento no seu depósito de combustível é muito perigoso e pode causar uma fuga de combustível, o que pode resultar num incêndio.
- Evite o contacto com o silenciador de escape. Fica muito quente durante a utilização.
- Não ligue o motor em atmosferas explosivas, tais como na presença de líquidos inflamáveis, gases ou pó. O motor cria faíscas que poderão pegar fogo ao pó ou gases.

Abastecimento

- Desligue o motor durante o reabastecimento de combustível, mantenha-se longe das chamas abertas e não fume.
- Certifique-se de que produtos de óleo mineral não entram em contacto com a pele. Não inale o vapor do combustível. Use sempre luvas protectoras durante o reabastecimento. Mude e limpe a roupa protectora em intervalos regulares.
- Para evitar contaminação do solo (protecção ambiental), certifique-se de que não derrama combustível ou óleo no chão. Limpe a roçadeira imediatamente após o derramamento de combustível.
- Certifique-se de que o combustível não entra em contacto com as roupas. Se o combustível entrar em contacto com as suas roupas, mude essas roupas imediatamente (para evitar um incêndio).
- Inspeccione o tampão do depósito em intervalos regulares para se certificar de que está bem seguro e não pinga.
- Aperte, com cuidado, a tampa do depósito de combustível. Mude de local para arrancar o motor (pelo menos a 3 metros de distância de onde reabasteceu).
- Nunca reabasteça num espaço fechado. Os vapores de combustível acumulam ao nível do solo (risco de explosões).
- Transporte e armazene o combustível apenas em recipientes aprovados. Certifique-se de que o combustível armazenado não é acessível a crianças.



Método de funcionamento

- Utilize apenas com boa luz e visibilidade. Durante a época de Inverno, tenha cuidado com áreas escorregadias ou molhadas, gelo e neve (risco de escorregar). Certifique-se sempre de que tem um apoio seguro.
- Nunca corte acima da altura dos ombros.
- Nunca suba para uma escada.
- Nunca trepe árvores para efectuar uma operação de corte.
- Nunca trabalhe em superfícies instáveis.
- Remova areia, pedras, pregos etc encontrados na área de trabalho. Partículas estranhas podem danificar a ferramenta de corte e causar recuos perigosos.
- Antes de começar a cortar, certifique-se de que a ferramenta de corte atingiu a velocidade de funcionamento completa.
- Ao utilizar lâminas metálicas, oscile a ferramenta uniformemente em meio círculo da direita para a esquerda, tal como uma foice.
Se relva ou ramos ficarem presos entre a ferramenta de corte e o resguardo, desligue sempre o motor antes da limpeza. Caso contrário, a rotação não intencional da lâmina pode provocar ferimentos graves.
- Descanse para evitar a perda de controlo causada pela fadiga. É aconselhável descansar 10 a 20 minutos por cada hora.

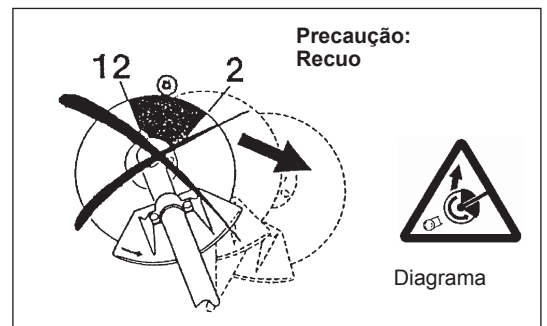


Ferramentas de corte

- Utilize uma ferramenta de corte aplicável para a tarefa em mãos.
As cabeças de corte em nylon (cabeças de roçadeira) são adequadas para cortar relva.
As lâminas metálicas são adequadas para cortar ervas daninhas, relva alta, arbustos, vegetação rasteira, mata, etc.
Nunca utilize outras lâminas incluindo correntes oscilantes metálicas de várias peças e lâminas tipo mangual. Caso contrário, podem resultar ferimentos graves.
- Ao utilizar lâminas metálicas, evite “recuos” e esteja sempre preparado para um recuo accidental. Consulte a secção “Recuo.”

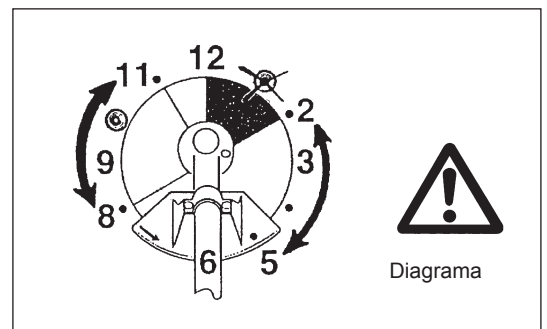
Recuo (impulso da lâmina)

- O recuo (impulso da lâmina) é uma reacção súbita a uma lâmina metálica presa. Assim que ocorrer, o equipamento é projectado para o lado ou na direcção do operador com força e pode causar ferimentos graves.
- Os recuos ocorrem particularmente ao aplicar a secção da lâmina entre as 12 e as 2 horas para sólidos, arbustos e árvores com um diâmetro de 3 cm ou mais.
- Para evitar recuos:
 - Aplique a secção entre as 8 e as 11 horas;
 - Nunca aplique a secção entre as 12 e as 2 horas;
 - Nunca aplique a secção entre as 11 e as 12 horas e entre as 2 e as 5 horas, a menos que o operador seja experiente e o faça a seu próprio risco;
 - Nunca utilize lâminas metálicas perto de sólidos, como cercas, paredes, troncos de árvores e pedras;
 - Nunca utilize lâminas metálicas na vertical, para operações como aparar sebes.



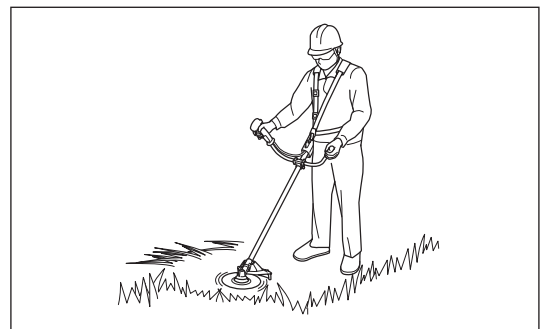
Vibração

- As pessoas com má circulação que sejam expostas a vibrações excessivas podem sofrer ferimentos nos vasos sanguíneos ou no sistema nervoso. As vibrações podem causar os seguintes sintomas nos dedos, mãos ou pulsos: “Adormecimento” (falta de sensação), formigueiro, dor, sensação de picadas, alteração da cor da pele ou da própria pele. Se ocorrer qualquer um destes sintomas, consulte um médico!
- Para reduzir o risco de “doença de Raynaud”, mantenha as suas mãos quentes durante a operação e tenha sempre o equipamento e os acessórios limpos.



Instruções de manutenção

- Solicite o nosso centro de assistência autorizado para efectuar a manutenção do equipamento, utilizando sempre peças de reposição genuínas. Uma reparação incorrecta e uma manutenção fraca podem encurtar a vida útil do equipamento e aumentar o risco de acidentes.
- O estado da roçadeira, em particular da ferramenta de corte dos dispositivos de protecção e também do arnés dos ombros tem de ser verificado antes de iniciar o trabalho. Deve também prestar especial atenção às lâminas metálicas, que devem estar devidamente afiadas.
- Desligue o motor e remova o conector da vela de ignição ao substituir ou afiar as ferramentas de corte, e também ao limpar a roçadeira ou ferramenta de corte.



Nunca alise ou solde ferramentas de corte danificadas.

- Tenha cuidado com o ambiente. Evite utilizar desnecessariamente o acelerador para reduzir as emissões de poluição e ruído. Afine correctamente o carburador.
- Limpe o equipamento em intervalos regulares e certifique-se de que todos os parafusos estão bem apertados.
- Nunca efectue manutenção ou guarde o equipamento perto de chamas.
- Guarde sempre o equipamento em salas fechadas e com um depósito de combustível esvaziado.
- Ao limpar, efectuar a manutenção e armazenar o equipamento, instale sempre a tampa na lâmina metálica.



Observe as instruções de prevenção de acidentes relevantes emitidas pelas associações comerciais relevantes e companhias de seguros. Não efectue quaisquer modificações no equipamento, pois isto estará a comprometer a sua segurança.

O desempenho do trabalho de manutenção ou reparação pelo utilizador é limitado às actividades descritas no manual de instruções. O resto do trabalho deverá ser efectuado por um Agente de Serviço Autorizado. Utilize apenas partes sobresselentes genuínas e acessórios lançados e fornecidos pela DOLMAR.

Utilizar acessórios e ferramentas não aprovados provocará um risco maior de acidentes.

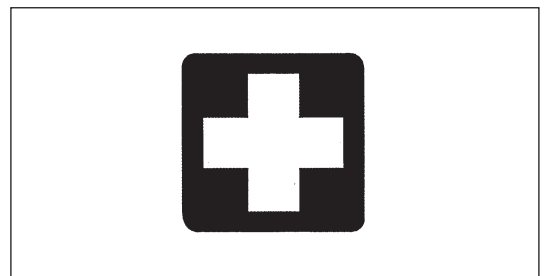
A DOLMAR não aceitará qualquer responsabilização por acidentes ou danos provocados pela utilização de ferramentas de corte não aprovadas e dispositivos de fixação de ferramentas de corte ou acessórios.

Primeiros-socorros

Em caso de acidente, certifique-se de que uma caixa de primeiros socorros está disponível nas proximidades das operações de corte. Substitua imediatamente qualquer item retirado da caixa de primeiros socorros.

Ao pedir ajuda, forneça a seguinte informação:

- Local do acidente
- O que aconteceu
- Número de pessoas feridas
- Tipo de ferimentos
- O seu nome



Apenas para países europeus

Declaração de conformidade CE

A Makita declara que as máquinas:

Designação da máquina: Roçadeira A Gasolina

N.º de modelo/Tipo: MS-34 U, MS-34 C

Estão em conformidade com as directivas europeias seguintes:

2000/14/EC, 2006/42/EC

São fabricadas de acordo com as normas e documentos normalizados seguintes:

EN ISO 11806-1

A ficha técnica em conformidade com a norma 2006/42/EC está disponível a partir de:

Makita, Jan-Baptist Vinkstraat 2, 3070, Bélgica

O procedimento de avaliação da conformidade requisitado pela Directiva 2000/14/EC estava em conformidade com o anexo V.

MS-34 U (Com cabeça de corte em nylon):

Nível de potência sonora medido: 109,1 dB

Nível de potência sonora garantido: 110 dB

MS-34 U (Com lâmina de corte):

Nível de potência sonora medido: 105,8 dB

Nível de potência sonora garantido: 106 dB

MS-34 C (Com cabeça de corte em nylon):

Nível de potência sonora medido: 110,4 dB

Nível de potência sonora garantido: 112 dB

MS-34 C (Com lâmina de corte):

Nível de potência sonora medido: 105,9 dB

Nível de potência sonora garantido: 107 dB

6. 6. 2014

Handwritten signature of Yasushi Fukaya.

Yasushi Fukaya
Director

Makita, Jan-Baptist Vinkstraat 2, 3070, Bélgica

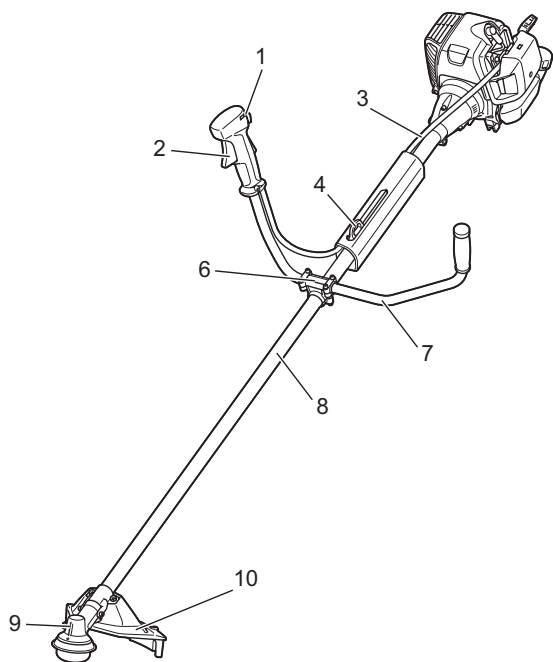
DADOS TÉCNICOS

Modelo			MS-34 U	MS-34 C				
Tipo de pega			Pega em U		Pega fechada			
Dimensões: comprimento x largura x altura (sem a ferramenta de corte)			mm	1.815 x 650 x 435		1.815 x 330 x 270		
Peso (sem resguardo da ferramenta de corte e ferramenta de corte)			kg	6,4		6,2		
Volume (depósito de combustível)			L	0,75				
Deslocamento do motor			cm ³	34,0				
Desempenho máximo do motor			kW	1,15 a 7.000 min ⁻¹				
Velocidade do motor a velocidade de rotação máxima recomendada			min ⁻¹	10.000				
Velocidade de rotação máxima (correspondente)			min ⁻¹	6.800				
Velocidade em marcha lenta			min ⁻¹	2.800				
Velocidade da embraiagem			min ⁻¹	4.100				
Carburador			tipo	WALBLO WYJ				
Vela de ignição			tipo	NGK BPMR7A				
Separação de eléctrodos			mm	0,6 - 0,7				
				CABEÇA DE CORTE EM NYLON	LÂMINA METÁLICA	CABEÇA DE CORTE EM NYLON	LÂMINA METÁLICA	
Vibração por ISO 22867	Pega direita (Punho traseiro)	$a_{hv\ eq}$	m/s ²	4,1	4,0	4,6	4,3	
		Incerteza K	m/s ²	1,0	0,5	2,0	1,0	
	Pega esquerda (Punho dianteiro)	$a_{hv\ eq}$	m/s ²	4,4	4,3	5,5	5,4	
		Incerteza K	m/s ²	1,8	1,2	1,4	1,0	
Nível de pressão sonora de acordo com ISO 22868			$L_{PA\ eq}$	dB	95,0	92,7	95,9	91,3
			Incerteza K	dB	2,5	0,7	1,0	1,1
Média do nível de potência sonora de acordo com ISO 22868			$L_{WA\ eq}$	dB	109,1	105,8	110,4	105,9
			Incerteza K	dB	1,0	0,4	1,6	0,8
Relação de mistura (Combustível: Óleo de motor a 2 tempos DOLMAR)				50 : 1				
Ferramentas de corte (diâ. lâmina de corte)			mm	255 (com lâmina de 4 dentes)				
Relação de transmissão				13/19				

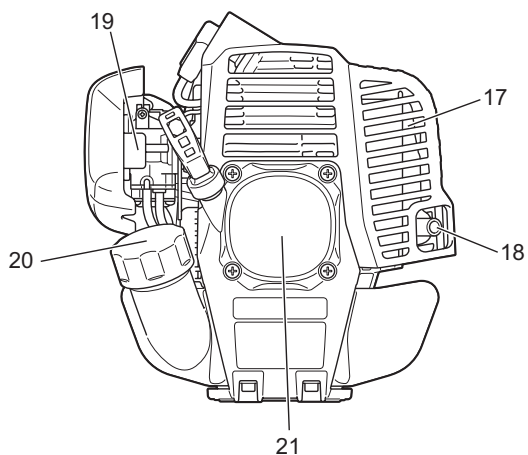
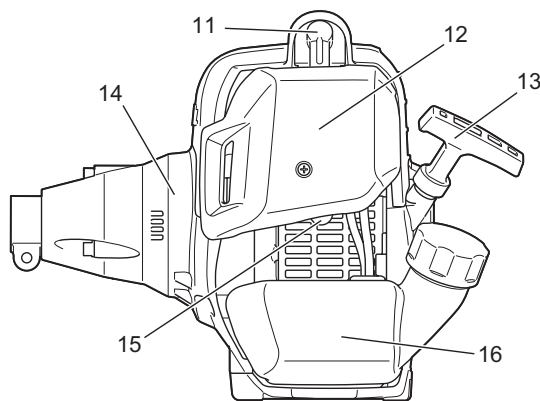
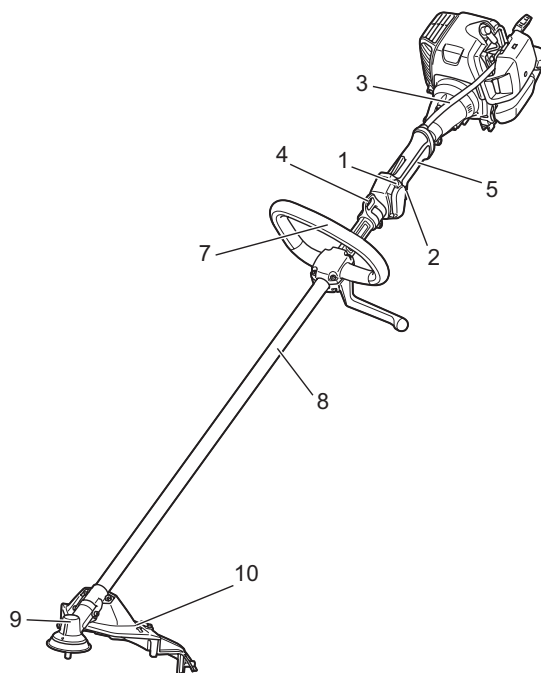
- Devido à pesquisa e desenvolvimento constantes, estas especificações estão sujeitas a alteração sem aviso prévio.
- Estas especificações podem diferir de país para país.

DESIGNAÇÃO DE PEÇAS

MS-34 U



MS-34 C



	DESIGNAÇÃO DE PEÇAS
1	Botão I-O (ligar/desligar)
2	Alavanca do acelerador
3	Cabo de controlo
4	Suporte
5	Punho traseiro
6	Suporte da pega
7	Pega
8	Veio
9	Caixa de engrenagens
10	Protector (Resguardo da ferramenta de corte)
11	Vela de ignição
12	Filtro de ar
13	Manípulo do dispositivo de arranque
14	Caixa da embraiagem
15	Bomba de descarga
16	Depósito de combustível
17	Silenciador de escape
18	Tubo de escape
19	Alavanca do afogador
20	Tampa do depósito de combustível
21	Arranque por fio

MONTAGEM DA PEGA

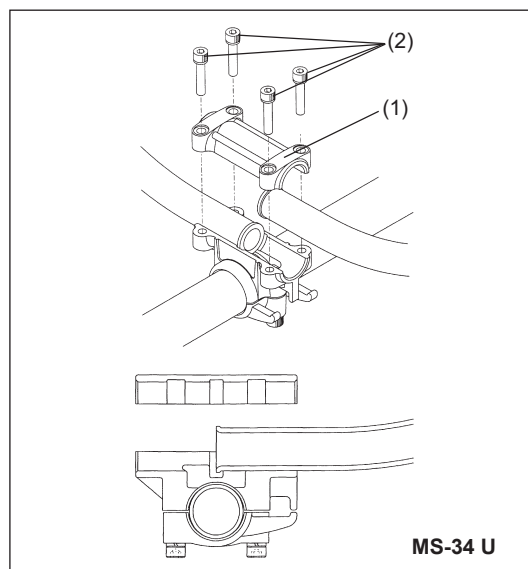
PRECAUÇÃO: Antes de efectuar qualquer trabalho no equipamento, desligue sempre o motor e retire o conector da vela de ignição da vela de ignição.

Use sempre luvas de protecção!

PRECAUÇÃO: Ligue o motor após a montagem estar concluída.

Para modelos de pegas em U

- Coloque a pega com a alavanca do acelerador no suporte da pega no lado direito (a segurar pela mão direita) e a outra no lado esquerdo.
- Encaixe a extremidade da pega na ranhura do suporte da pega e fixe provisoriamente o lado superior (1) do suporte da pega com quatro parafusos M5 x 25 (2).
- Ajuste a pega para um ângulo fácil de manipular e aperte o parafuso (2) uniformemente nos lados direito e esquerdo.



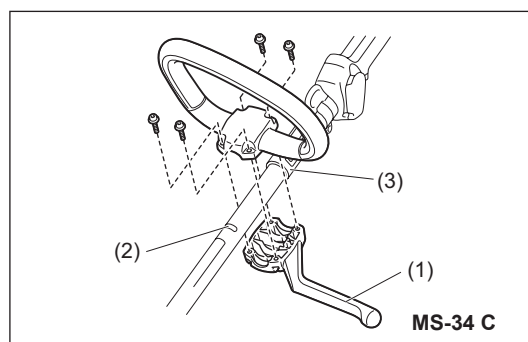
Para modelos de pegas fechadas

- Fixe uma barreira (1) no lado esquerdo da máquina juntamente com a pega para protecção do operador.
- Certifique-se de que o punho/barreira está instalado entre o espaçador e a marca da seta (2).

AVISO: Não remova ou encolha o espaçador (3). O espaçador mantém uma determinada distância entre ambas as mãos. Colocar o punho/barreira perto do outro punho, para lá do comprimento do espaçador, pode provocar uma perda de controlo e ferimentos pessoais graves.

NOTA:

- Em alguns países o espaçador não é incluído. Nesse caso, instale o conjunto do punho/barreira entre as marcas de seta.

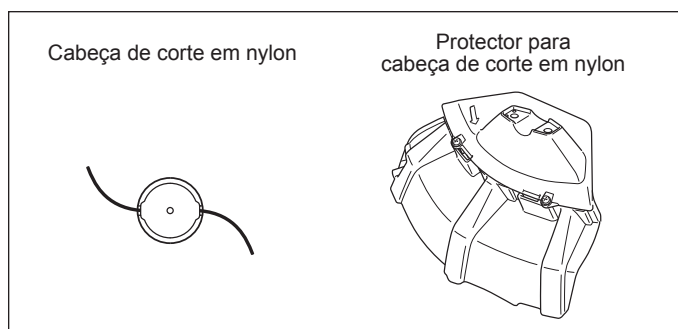
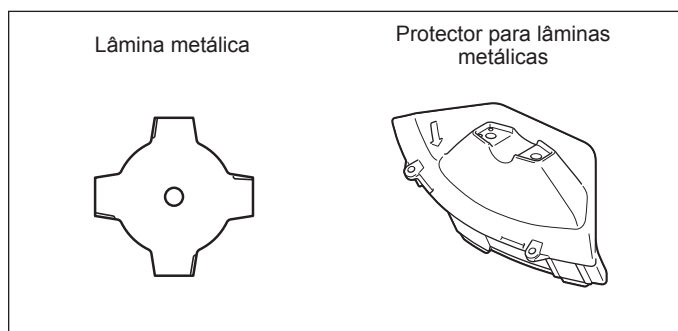


MONTAGEM DO PROTECTOR

Para obedecer às provisões de segurança aplicáveis, apenas devem ser utilizadas as combinações de ferramenta/protector indicadas na tabela.

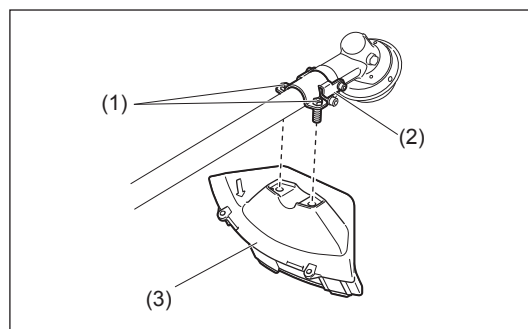
PRECAUÇÃO: O protector adequado devem ser sempre instalados para sua própria segurança e para obedecer a regulamentos de prevenção de acidentes.
É proibida a utilização do equipamento sem o resguardo colocado.

NOTA: A combinação padrão da ferramenta de corte varia consoante o país.



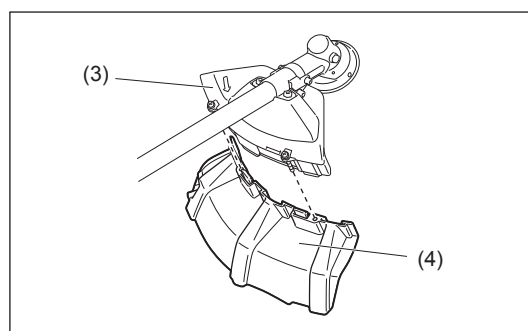
– Quando utilizar a lâmina de metal, fixe o protector (3) ao grampo (2) com dois parafusos (1).

NOTA: Aperte os parafusos direito e esquerdo uniformemente para que a folga entre o grampo (2) e o protector (3) seja constante.
Caso contrário, o protector pode, por vezes, não funcionar como especificado.



– Nos casos em que a roçadeira com fio de nylon é utilizada, certifique-se de que monta o protector da roçadeira com fio de nylon (4) no protector da lâmina de metal (3).

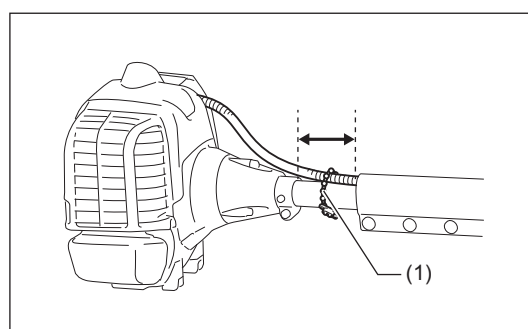
PRECAUÇÃO: Tenha cuidado para não se ferir na roçadeira para cortar o fio de nylon.



(Apenas para o modelo MS-34 U)

Instalar o fixador

Fixe o cabo de controlo e o veio com o fixador (1) na área mostrada na figura.



MONTAR A FERRAMENTA DE CORTE

Certifique-se de que utiliza sempre lâminas metálicas ou cabeça de corte em nylon DOLMAR.

- A lâmina metálica deve ser bem limpa, livre de fendas ou quebras. Se a lâmina metálica for de encontro a uma pedra durante a operação, pare o motor e verifique a lâmina imediatamente.
- Limpar ou substituir a lâmina metálica a cada três horas de funcionamento.
- Se a cabeça de corte em nylon for de encontro a um objecto duro como uma pedra durante o funcionamento, pare o motor e verifique a cabeça de corte em nylon imediatamente.

PRECAUÇÃO: O protector adequado devem ser sempre instalados para sua própria segurança e para obedecer a regulamentos de prevenção de acidentes.

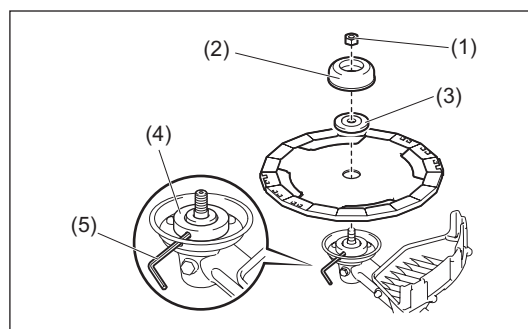
É proibida a utilização do equipamento sem o resguardo colocado.

O diâmetro exterior da lâmina de corte tem de ser 255 mm ou menos. Nunca utilize lâminas com um diâmetro exterior superior a 255 mm.

PRECAUÇÃO: Certifique-se de que a ferramenta de corte está bem instalada antes da utilização.

Vire a máquina ao contrário e pode substituir a lâmina metálica ou cabeça de corte em nylon facilmente.

- Insira a chave sextavada (5) no orifício na caixa de engrenagens e rode a anilha receptora (4) até que esteja apertada com a chave sextavada.
- Desaperte a porca (1) (fio esquerdo) com a chave de encaixe e remova a porca (1), protecção (2) e a anilha do grampo (3).

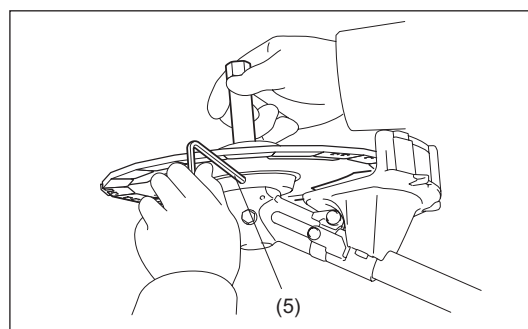


Montagem da lâmina metálica com a chave sextavada (5) ainda fixada

- Monte a lâmina metálica no veio para que o guia da anilha receptora (4) encaixe no orifício do mandril na lâmina metálica. Instale a anilha do grampo (3), protecção (2) e fixe a lâmina metálica com a porca (1).
[Binário de aperto: 13 - 23 N-m]

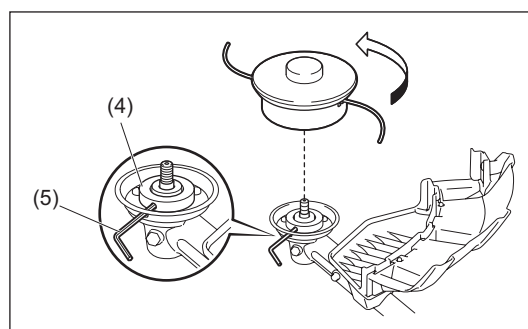
NOTA: Use sempre luvas ao manusear a lâmina metálica.

NOTA: A porca de aperto da lâmina metálica (com anilha de pressão) é uma parte consumível. Se aparecer algum desgaste ou deformação na anilha de pressão, substitua a porca.

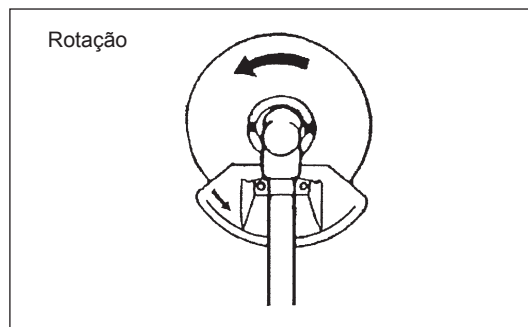


Montagem da cabeça de corte em nylon

- A anilha do grampo (3), protecção (2) e porca (1) não são necessárias para montar a cabeça de corte em nylon. A cabeça de corte em nylon deverá estar no topo da anilha receptora (4).
- Insira a chave sextavada (5) no orifício na caixa de engrenagens e rode a anilha receptora (4) até que esteja apertada com a chave sextavada.
- De seguida, aperte a cabeça de corte em nylon no veio rodando no sentido contrário aos ponteiros do relógio.
- Retire a chave sextavada (5).



Rotação



COMBUSTÍVEIS/REABASTECER COMBUSTÍVEL

Manusear produtos de petróleo

É necessário ter muito cuidado ao manusear combustível. O combustível pode conter substâncias semelhantes a solventes. Efectue o reabastecimento numa área bem ventilada ou ao ar livre. Não inale vapores de combustível, evite qualquer contacto do combustível ou óleo com a sua pele.

Produtos de óleo mineral desengorduram a sua pele. Se a sua pele entrar repetidamente em contacto com estas substâncias e durante um longo período de tempo, podem surgir doenças de pele. Além disso, podem ocorrer reacções alérgicas. Os olhos podem ficar irritados através do contacto com o óleo, combustível etc.

Se entrar óleo nos seus olhos, lave-os imediatamente com água limpa.

Se os seus olhos ainda estiverem irritados, consulte imediatamente um médico.

Mistura de combustível e óleo

O motor da roçadeira é um motor a dois tempos de eficiência elevada.

É alimentado com uma mistura de combustível e óleo de motor de dois tempos.

O motor foi concebido para usar combustível sem chumbo com um valor mínimo de octano de 91 RON. Caso esse combustível esteja indisponível, pode utilizar combustível com um valor de octano superior. Isto não irá afectar o motor, mas pode causar um fraco comportamento de funcionamento.

Irá ocorrer uma situação semelhante da utilização de combustível com chumbo.

Para obter um desempenho do motor óptimo e para proteger a sua saúde e ambiente, utilize apenas combustível sem chumbo!

Para a lubrificação do motor, utilize um óleo de motor a dois tempos (grau de qualidade: JASO FC ou ISO EGD), que é adicionado ao combustível. O motor foi concebido para utilizar óleo de motor a dois tempos DOLMAR a uma relação de mistura de 50:1 para proteger o ambiente. Além disso, é garantida uma vida útil longa e um funcionamento fiável com uma emissão mínima de gases de escape. É absolutamente essencial cumprir uma relação de mistura de 50:1 do óleo de motor a 2 tempos DOLMAR. Caso contrário, o funcionamento fiável da roçadeira não pode ser garantido.

A relação de mistura correcta:

Misture 50 partes de gasolina com 1 parte de óleo de motor a 2 tempos DOLMAR (consulte a tabela à direita).

NOTA: Para preparar a mistura de combustível-óleo, misture primeiro a quantidade de óleo inteira com metade do combustível necessário, num recipiente aprovado que cumpre todas as normas de código local, de seguida, adicione o combustível restante. Agite minuciosamente a mistura antes de colocar no depósito da roçadeira. Não deve adicionar mais óleo de motor do que aquele especificado, para garantir um funcionamento seguro. Isto só irá resultar numa produção superior de resíduos de combustão que irão poluir o ambiente e obstruir o canal de escape no cilindro, as velas de ignição assim como o silenciador. Para além disso, o consumo de combustível aumentará e o desempenho diminuirá.

Reabastecer combustível

Nunca efectue operações de abastecimento numa área fechada, não ventilada.

O motor tem de estar desligado!

- Limpe minuciosamente a área em torno do tampão do depósito para evitar a entrada de sujidade no depósito de combustível (1).
 - Desaperte o tampão do depósito (2) e abasteça o depósito com combustível.
 - Nunca encha o depósito de combustível ao máximo.
 - Aperte bem o tampão do depósito.
 - Limpe o tampão roscado e o depósito com um absorvente após o reabastecimento!
- Permita a secagem dos panos e elimine-os num recipiente adequado.

NOTA: Em alguns países, o tampão do depósito não possui a alça (3).



Armazenamento de combustível

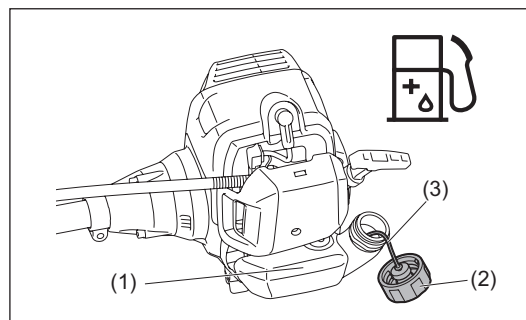
O combustível não pode ser guardado durante um período ilimitado de tempo. Adquira apenas a quantidade necessária para um período de funcionamento de 4 semanas. Utilize apenas recipientes de armazenamento de combustível aprovados.



Leia as instruções de segurança na página 130!



Gasolina (sem chumbo premium)	50:1
	
1.000 cc (1 L)	20 cc
5.000 cc (5 L)	100 cc
10.000 cc (10 L)	200 cc



MANUSEAMENTO CORRECTO DA MÁQUINA

AVISO: Se não conseguir manter o controlo total do equipamento, poderá sofrer ferimentos corporais graves ou MORRER.

Fixação da alça do ombro

- Ajuste o comprimento da alça para que a lâmina de corte fique paralela ao chão.

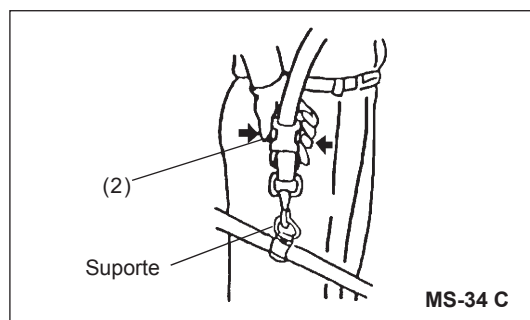
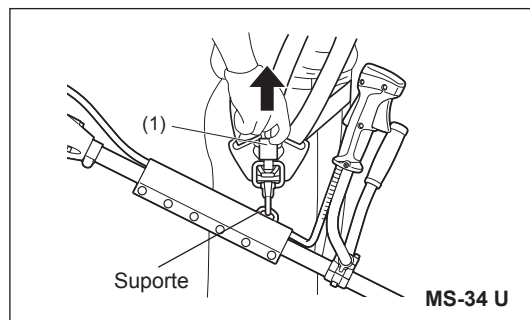
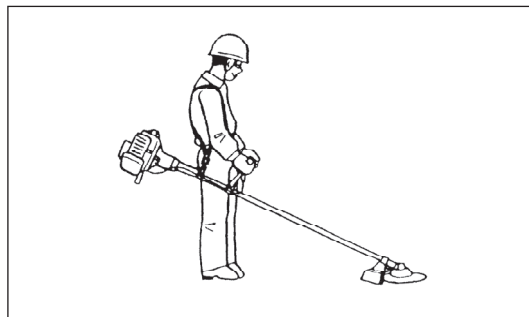
Separação

Para MS-34 U

- Numa emergência, puxe o gancho (1) para cima para se separar da máquina. Certifique-se de que mantém o controlo da máquina nesta altura. Não permita que a máquina seja desviada em direcção a si ou a alguém próximo de si.

Para MS-34 C

- Em caso de emergência, empurre os entalhes (2) em ambos os lados e pode separar a máquina de si. Certifique-se de que mantém o controlo da máquina nesta altura. Não permita que a máquina seja desviada em direcção a si ou a alguém próximo de si.



PONTOS SOBRE O FUNCIONAMENTO E COMO PARAR

PRECAUÇÃO: Leia os regulamentos sobre prevenção de acidentes aplicáveis!

INÍCIO

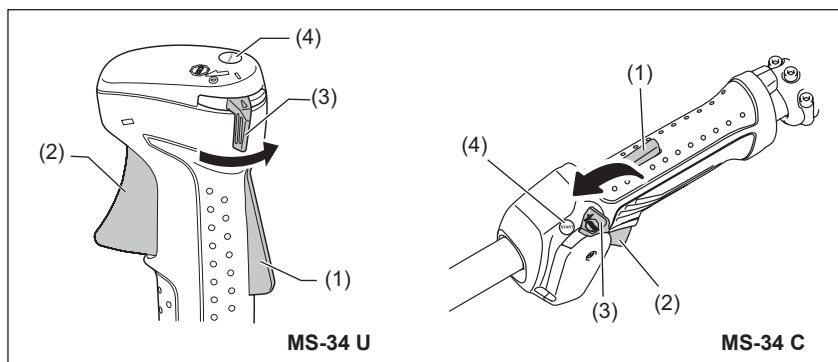
AVISO: Certifique-se de que a ferramenta de corte roda imediatamente após o arranque do motor. Certifique-se de que a ferramenta de corte não está em contacto com objectos duros como ramos, pedras, etc.

PRECAUÇÃO:

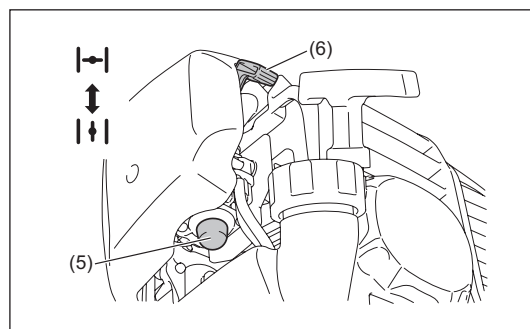
- Afaste-se, no mínimo, 3 m do local de abastecimento. Coloque a unidade no chão, tendo cuidado para que a ferramenta de corte não entre em contacto com o chão ou quaisquer outros objectos.
- Nunca puxe a corda ao máximo. Assim que o manípulo do dispositivo de arranque for puxado, nunca solte a mão imediatamente. Segure o manípulo do dispositivo de arranque até este voltar ao ponto de origem.

A: Arranque a frio

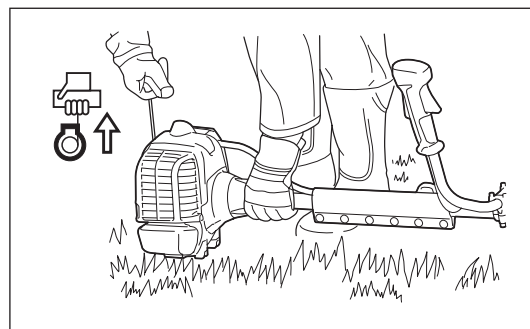
- 1) Monte esta máquina num espaço plano.
- 2) Agarre a pega (o bloqueio de segurança (1) é solto ao agarrar).
- 3) Pressione continuamente a alavanca do acelerador (2).
- 4) Deslize o botão I-O (3) para START (4). Isto coloca a alavanca do acelerador no estado de bloqueio do acelerador a metade.



- 5) Pressione suavemente a bomba de descarga (5) repetidamente (7 a 10 vezes) até que o combustível entre na bomba de descarga.
- 6) Desloque a alavanca do afogador (6) para a posição superior (|↑| - afogador fechado).



- 7) Segure firmemente a unidade com a sua mão esquerda.
- 8) Puxe suavemente o manípulo do dispositivo de arranque até sentir compressão. De seguida, puxe com força.
- 9) Repita a operação de arranque até ouvir as ignições iniciais.
- 10) Quando o motor ligar, coloque a alavanca do afogador na posição “|↓| - afogador aberto”.
- 11) Assim que o motor ligar, agarre imediatamente a pega (o bloqueio de segurança é solto ao agarrar) e prima um pouco o gatilho do acelerador e solte-o. (Liberta o estado de bloqueio do acelerador a metade e o motor funciona ao ralenti.)
- 12) Deixe o motor trabalhar durante aproximadamente um minuto a velocidade moderada antes de aplicar a aceleração máxima.



B: Arranque a quente

- Conforme descrito acima, excepto sem mover a alavanca do afogador (a alavanca do afogador permanece na posição “|↓| - afogador aberto”).

NOTA:

Em caso de entrada excessiva de combustível, remova a vela de ignição e puxe a pega de arranque lentamente para remover o combustível em excesso. Além disso, seque a secção dos eléctrodos da vela de ignição.

Precauções durante o funcionamento: Se a alavanca do acelerador estiver totalmente aberta em funcionamento em vácuo, a rotação do motor aumenta para 10.000 min⁻¹ ou mais.

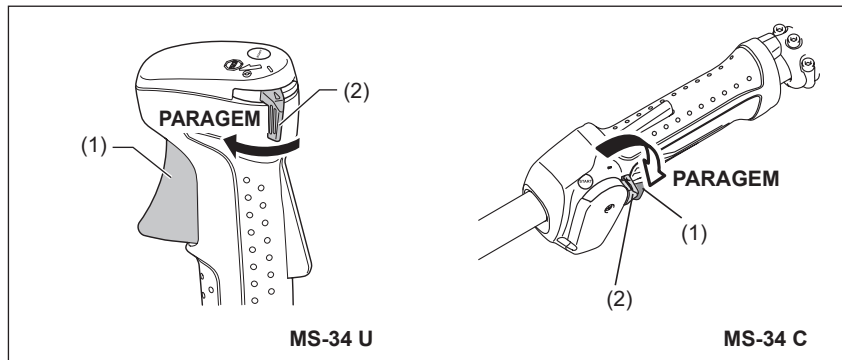
Nunca utilize o motor a uma velocidade superior à necessária. Utilize o motor a uma velocidade aproximada de 6.000 - 8.000 min⁻¹.

PARAR

- 1) Solte a alavanca do acelerador (1) por completo.
- 2) Quando as rotações do motor baixarem, coloque o botão I-O (2) na posição STOP.

PRECAUÇÃO:

Atente que a cabeça de corte pode não parar imediatamente.
Permita que pare por completo.

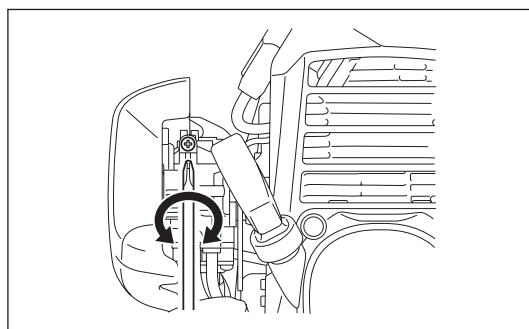


REGULAÇÃO DO RALENTI

Quando é necessário regular o ralenti, faça-o através do parafuso de regulação do carburador.

VERIFICAÇÃO DO RALENTI

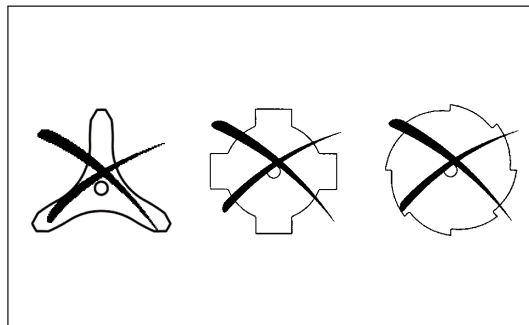
- Regule o ralenti para 2.800 min⁻¹.
Se for necessário alterar o ralenti, utilize uma chave de fendas phillips no parafuso ilustrado.
- Para aumentar o ralenti, rode o parafuso de regulação no sentido dos ponteiros do relógio.
Para reduzir o ralenti, rode o parafuso de regulação no sentido contrário aos ponteiros do relógio.
- O carburador vem regulado de fábrica. No entanto, após várias utilizações, o ralenti necessita de ser novamente regulado.



VOLTAR A AFIAR A FERRAMENTA DE CORTE

PRECAUÇÃO: As ferramentas de corte mostradas na imagem não devem ser afiadas. Voltar a afiar manualmente resultará em desequilíbrios da ferramenta de corte causando vibrações e danos no equipamento.

NOTA: Para aumentar a vida útil da lâmina de corte, pode ser virada uma vez, até ambas as extremidades de corte ficarem gastas.



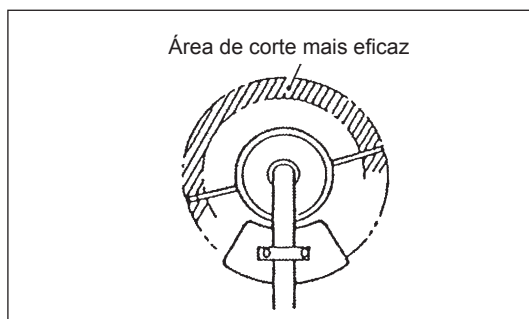
CABEÇA DE CORTE EM NYLON

A cabeça de corte em nylon é uma cabeça dupla de roçadeira com mecanismo de ressalto e fornecimento.

A cabeça de corte em nylon fornece o fio de nylon após bater com a cabeça do aparador no chão.

Funcionamento

- Aumente a velocidade da cabeça de corte em nylon para aproximadamente 6.000 min⁻¹.
Toque ligeiramente com a cabeça de corte em nylon no solo.
- A área de corte mais eficiente é mostrada pela área sombreada.
- Se o fio de nylon não for fornecido, rebobine/substitua o fio de nylon seguindo os procedimentos descritos em "Substituir o fio de nylon".

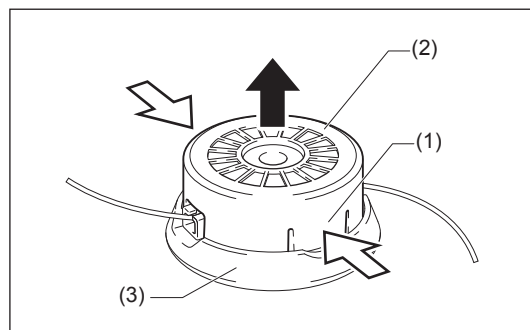


Substituir o fio de nylon (RESSALTO E FORNECIMENTO)

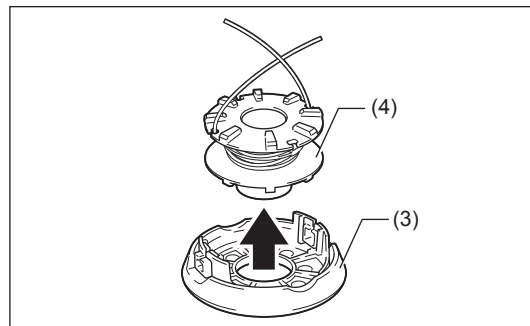
⚠ AVISO:

- Certifique-se de que a tampa da cabeça de corte em nylon está fixa à armação adequadamente, como descrito abaixo. A má fixação da tampa pode fazer com que a cabeça de corte em nylon seja projectada resultando em ferimentos pessoais graves.

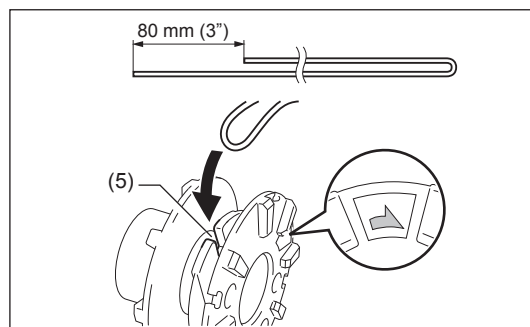
1. Prima as linguetas (1) na armação (2) para dentro e levante para remover a tampa (3).



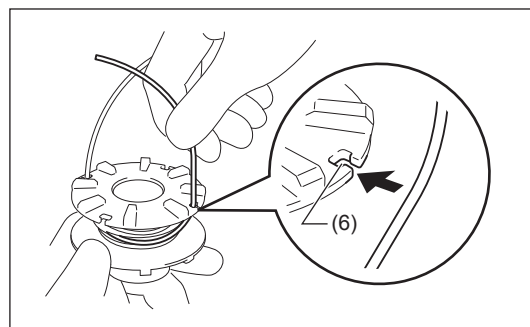
2. Solte o fio nylon do ilhó e retire a bobina (4) da tampa. Elimine o fio de nylon restante.



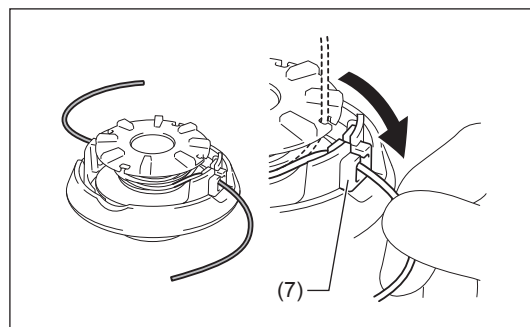
3. Engate o centro do novo fio de nylon no entalhe (5) situado no centro da bobina entre os 2 canais.
Um lado do fio deve ser cerca de 80 mm mais longo do que o outro lado.
Com ambas as extremidades firmemente em torno da bobina no sentido da marca de seta na bobina.



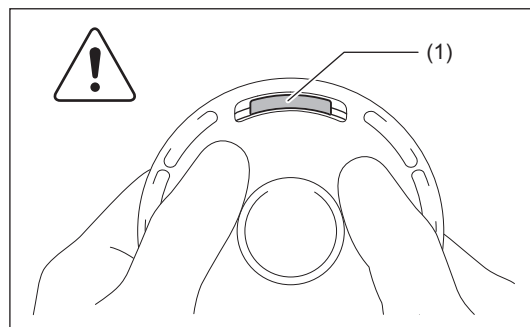
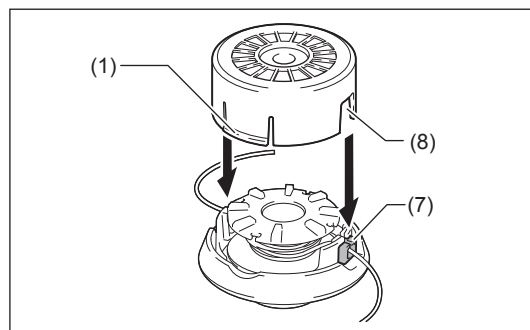
4. Enrole tudo excepto 100 mm dos fios, deixando as extremidades temporariamente engatadas através dos entalhes (6).



5. Instale a bobina na tampa com os entalhes de fixação alinhados com os ilhós (7). Desengate as extremidades do fio da posição temporária e avance os fios através dos ilhós.



6. Alinhe as ranhuras quadradas (8) na armação com os ilhós (7). De seguida, pressione bem a armação na tampa para a fixar. Certifique-se de que as linguetas (1) estão totalmente espalhadas na tampa.



INSTRUÇÕES DE SERVIÇO

PRECAUÇÃO: Antes de efectuar qualquer trabalho no equipamento, desligue sempre o motor e retire a tampa da vela de ignição (ver “verificar a vela de ignição”).

Use sempre luvas de protecção!

Para garantir um longo tempo de funcionamento e para evitar quaisquer danos no equipamento, as seguintes operações de serviço devem ser executadas em intervalos regulares.

Inspeção e manutenção diárias

- Antes do funcionamento, verifique se existem parafusos soltos na máquina ou se faltam peças. Preste especial atenção ao aperto da lâmina metálica ou da cabeça de corte em nylon.
- Antes do funcionamento, verifique sempre a passagem de ar de refrigeração e as alhetas do cilindro por obstruções. Limpe-as se necessário.
- Efectue o seguinte trabalho diariamente após a utilização:
 - Limpe o equipamento externamente e inspeccione por danos.
 - Limpe o filtro de ar. Ao trabalhar em condições de muito pó, limpe o filtro várias vezes por dia.
 - Verifique se a lâmina ou a cabeça de corte em nylon estão danificadas e certifique-se de que estão devidamente montadas.
 - Verifique se existe diferença suficiente entre as velocidades de marcha lenta e de embraiagem para se certificar de que a ferramenta de corte está num ponto de imobilização enquanto o motor está em marcha lenta (se necessário, reduza a velocidade de marcha lenta). Se em condições de marcha lenta a ferramenta ainda continuar a funcionar, consulte o Agente de Serviço Autorizado mais próximo.
- Verifique o funcionamento do botão I-O, a alavanca de bloqueio, a alavanca de aceleração e o botão de bloqueio.

LIMPEZA DO FILTRO DE AR



AVISO: Desligue o motor, mantenha-se longe das chamas abertas e não fume.

Intervalo de limpeza e inspeção: Diariamente (a cada 10 horas de funcionamento)

- Rode a alavanca do afogador (4) para o lado totalmente fechado e mantenha o carburador longe de qualquer pó ou sujidade.

Retirar a tampa do filtro de ar

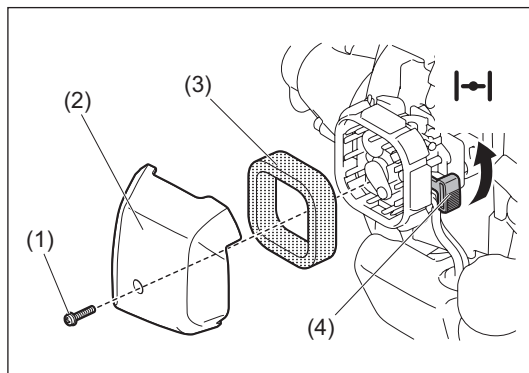
- Retire o parafuso (1) e retire a tampa do filtro de ar (2).

Limpar o elemento

- Remova o elemento (3) e sacuda-o para remover a sujidade.
- Em caso de forte contaminação:
Remova o elemento de esponja, lave-o em detergente diluído com água e seque-o completamente.
- Após secar o elemento, mergulhe-o em óleo de motor a 2 tempos e torça-o para remover o óleo em excesso.
- Antes de encaixar o elemento de esponja, certifique-se de que o óleo está distribuído uniformemente no elemento. O excesso de óleo pode provocar um arranque difícil.
- Limpe o óleo em torno da tampa do filtro de ar com um pano.

Instalar a tampa do filtro de ar

- Após a limpeza, volte a instalar o elemento de esponja. Volte a instalar a tampa do filtro de ar. E, de seguida, aperte com o parafuso.



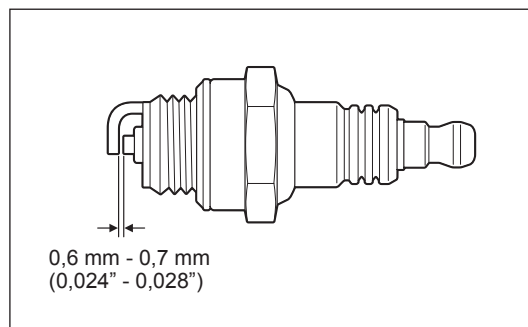
ATENÇÃO:

- Se existir pó ou sujidade excessivos a aderir ao filtro de ar, limpe-o todos os dias. Os elementos sujos reduzem a potência do motor e tornam difícil o arranque do motor.
- Remova o óleo dos elementos. Se o funcionamento continuar com os elementos ainda com óleo, o óleo no filtro de ar pode transbordar resultando na contaminação do ambiente.
- Não coloque os elementos no solo ou num local sujo. Caso contrário, captam sujidade e resíduos e podem danificar o motor.
- Nunca utilize combustível para limpar os elementos. O combustível pode danificá-los.

VERIFICAR A VELA DE IGNIÇÃO

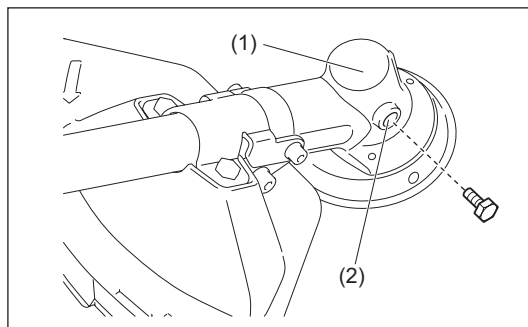
- Utilize apenas a chave universal fornecida para remover ou instalar a vela de ignição.
 - O espaço entre os dois eléctrodos da vela de ignição deverá ser 0,6 – 0,7 mm. Se o espaço for demasiado largo ou estreito, regule-o. Se a vela de ignição estiver entupida ou contaminada, limpe-a rigorosamente ou substitua-a.
- Após verificar, coloque o tampão conforme ilustrado.

PRECAUÇÃO: Nunca toque no conector da vela de ignição enquanto o motor estiver a trabalhar (perigo de choque eléctrico de alta tensão).



FORNECIMENTO DE LUBRIFICAÇÃO PARA A CAIXA DE ENGRENAGENS

- Forneça lubrificação (Shell Alvania 2 ou equivalente) para a caixa de engrenagens (1) através do orifício de lubrificação (2) a cada 30 horas. (Lubrificação DOLMAR pode ser adquirida no seu revendedor DOLMAR.)



LIMPEZA DO FILTRO DE COMBUSTÍVEL

AVISO: INFLAMÁVEIS ESTRITAMENTE PROIBIDOS

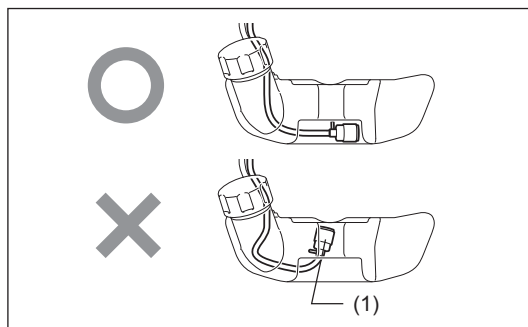
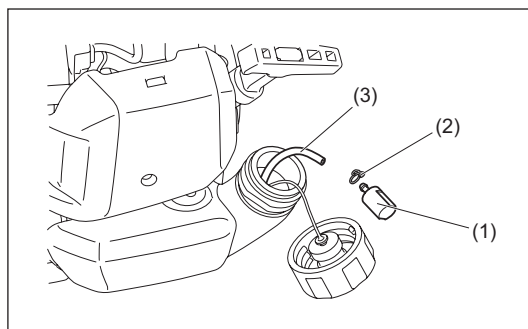
Intervalo de inspecção: Mensalmente (a cada 50 horas de funcionamento)

Cabeça de sucção no depósito de combustível

Verifique periodicamente o filtro de combustível (1). Para verificar o filtro de combustível, siga os passos abaixo:

1. Retire a tampa do depósito de combustível, purgue o combustível para esvaziar o depósito. Verifique o interior do depósito por quaisquer materiais estranhos. Caso existam, remova-os.
2. Retire a cabeça de sucção ao utilizar um gancho de arame através da abertura do depósito.
3. Se o filtro de combustível estiver ligeiramente entupido, limpe-o. Para limpá-lo, abane-o ligeiramente e mergulhe-o em combustível. Para evitar danos, não o esprema nem o esfregue. O combustível utilizado para a limpeza tem de ser eliminado de acordo com o método especificado pelas regulamentações no seu país.
Se o filtro de combustível ficar rígido ou altamente entupido, substitua-o.
4. Após verificar, limpar ou substituir, introduza o filtro de combustível no tubo de combustível (3) e fixe com o grampo do tubo flexível (2). Empurre o filtro de combustível ao máximo para a parte inferior do depósito de combustível.

Um filtro de combustível entupido ou danificado pode causar um fornecimento insuficiente de combustível e reduzir a potência do motor. Substitua o filtro de combustível, no mínimo, a cada três meses para garantir um fornecimento adequado de combustível para o carburador.



SUBSTITUIÇÃO DO TUBO DE COMBUSTÍVEL

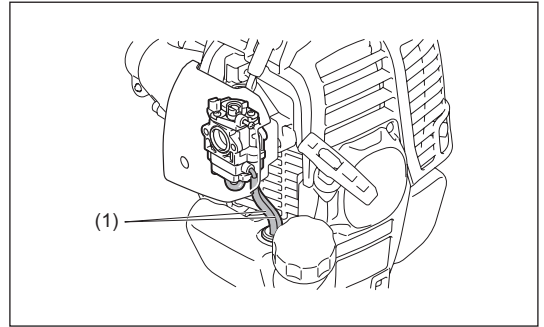
PRECAUÇÃO: INFLAMÁVEIS ESTRITAMENTE PROIBIDOS

Intervalo de limpeza e inspeção: Diariamente (a cada 10 horas de funcionamento)

Substituição: Anualmente (a cada 200 horas de funcionamento)

Substitua o tubo de combustível (1) todos os anos, independentemente da frequência de funcionamento. As fugas de combustível podem provocar um incêndio.

Se detectar alguma fuga durante a inspeção, substitua o tubo de combustível imediatamente.



INSPEÇÃO DE PARAFUSOS E PORCAS

- Reaperte parafusos e porcas desapertados, etc.
- Verifique se as tampas do combustível e do óleo estão bem apertadas. Inspeccione por fugas de combustível e óleo.
- Substitua as peças danificadas por peças novas para um funcionamento seguro.

LIMPEZA DAS PEÇAS

- Mantenha sempre o motor limpo ao limpar com um pano.
- Mantenha as alhetas do cilindro limpas. O pó ou sujidade que adira às alhetas irá causar falha do êmbolo.

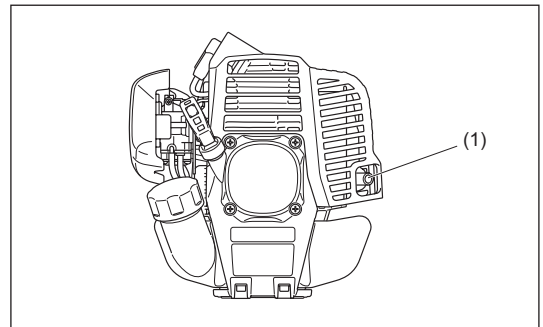
SUBSTITUIÇÃO DAS JUNTAS E EMPANQUES

Substitua as juntas e os empanques se o motor estiver desmontado.

Qualquer manutenção ou ajuste que não esteja incluído e descrito neste manual deve ser efectuado apenas pelos Agentes de Serviço Autorizados.

LIMPEZA DA PORTA DO SILENCIADOR DE ESCAPE

- Verifique regularmente a porta do silenciador de escape (1).
- Se estiver obstruído por depósitos de carbono, raspe cuidadosamente os depósitos com uma ferramenta adequada.



ARMAZENAMENTO

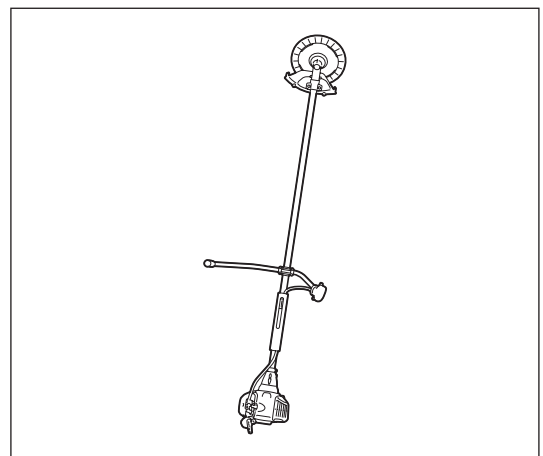


AVISO: O motor ainda está quente após desligar o motor. Ao purgar o combustível, permita tempo suficiente para o motor arrefecer após desligá-lo. Caso contrário, pode resultar em queimaduras e/ou incêndios.



PERIGO: Quando a máquina não é utilizada durante um longo período, purgue todo o combustível do depósito de combustível e carburador e guarde-a num local seco e limpo.

- Purgue o combustível do depósito de combustível e carburador de acordo com o procedimento seguinte:
 - 1) Retire a tampa do depósito de combustível e purgue o combustível por completo.
Se restarem algumas substâncias estranhas no depósito de combustível, retire-as por completo.
 - 2) Retire o filtro de combustível da entrada de abastecimento utilizando um fio.
 - 3) Empurre a bomba de descarga até purgar combustível e purgue o combustível que entra no depósito de combustível.
 - 4) Coloque novamente o filtro no depósito de combustível e aperte bem a tampa do depósito de combustível.
 - 5) De seguida, continue a operar o motor até parar.
- Retire a vela de ignição e goteje várias gotas de óleo do motor pelo orifício da vela de ignição.
- Puxe suavemente a pega de arranque para que o óleo do motor se espalhe pelo motor e encaixe a vela de ignição.
- Encaixe a tampa na lâmina metálica.
- No geral, armazene a máquina na posição horizontal. Se não for possível, coloque a máquina de modo a que o motor fique abaixo da ferramenta de corte. Caso contrário, pode ocorrer uma fuga de óleo do motor.
- Guarde o combustível purgado num recipiente especial num local bem ventilado.



Item	Tempo de funcionamento		Antes do funcionamento	Após reabastecer	Diária (10h)	30h	50h	200 h ou 1 ano, o que ocorrer primeiro	Antes de armazenar	P correspondente
Peças de aperto (parafuso, porca)	Inspeccione		○							146
Depósito de combustível	Limpe		○							—
	Drene o combustível								○*2	146
Alavanca do acelerador	Verifique função			○						—
Botão STOP	Verifique função			○						144
Ferramenta de corte	Inspeccione		○		○					136
Ralenti	Inspeccione/ ajuste				○					141
Filtro de ar	Limpe				○					144
Vela de ignição	Inspeccione				○					145
Passagem de ar de refrigeração e alhetas do cilindro	Limpe/ inspeccione				○					146
Tubo de combustível	Inspeccione				○					146
	Substitua							⊙*1		—
Lubrificação caixa de engrenagens	Abasteça					○				145
Silenciador	Inspeção/ Limpeza da abertura					○				—
Filtro de combustível	Limpe/ substitua						○			145
Carburador	Drene o combustível								○*2	146

*1 Para a inspeção de 200 horas de funcionamento, contacte o Agente de Serviço Autorizado ou loja da máquina.

*2 Após esvaziar o depósito de combustível, deixe o motor em funcionamento e purgue o combustível no carburador.

RESOLUÇÃO DE PROBLEMAS

Antes de efectuar um pedido para reparações, verifique você mesmo o problema. Se encontrar uma anomalia, controle a máquina de acordo com a descrição neste manual. Nunca altere nem desmonte qualquer peça contrária à descrição. Para reparações, contacte o Centro de Serviço Autorizado ou concessionário local.

Estado de anomalia	Causa provável (avaria)	Solução
O motor não arranca.	O botão I-O está definido para STOP.	Regule o botão I-O para START.
	Falha ao operar a bomba de descarga.	Empurre 7 a 10 vezes.
	Velocidade de puxo baixa da corda de arranque.	Puxe com força.
	Falta de combustível.	Forneça combustível.
	Posição incorrecta do afogador.	Coloque em "FECHADO" (arranque a frio). Coloque em "ABERTO" (arranque a quente).
	Filtro de combustível obstruído.	Substitua.
	Tubo de combustível dobrado ou bloqueado.	Endireite ou substitua o tubo de combustível.
	Combustível deteriorado.	O combustível deteriorado torna o arranque mais difícil. Substitua por combustível novo. (Substituição recomendada: 1 mês)
	Aspiração excessiva de combustível.	Regule a alavanca do acelerador de velocidade média para velocidade elevada e puxe a pega de arranque até o motor arrancar. Assim que o motor arrancar, a ferramenta de corte começa a rodar. Preste muita atenção à ferramenta de corte. Se mesmo assim o motor não pegar, retire a vela de ignição, seque o eléctrodo e monte-os da forma original. De seguida, ligue como especificado.
	Tampa da vela desencaixada.	Encaixe bem.
	Vela de ignição contaminada.	Limpe.
	Folga anómala da vela de ignição.	Ajuste a folga.
	Anomalia da vela de ignição.	Substitua.
	Carburador anómalo.	Peça uma inspecção e manutenção.
	A corda de arranque não pode ser puxada ou não se sente compressão.	Peça uma inspecção e manutenção.
	Sistema de accionamento/eléctrico anómalo. (Falha do botão I-O, falha da cablagem, falha do conector, etc.)	Peça uma inspecção e manutenção.
O motor pára rapidamente. A velocidade do motor não aumenta.	Aquecimento insuficiente.	Execute a operação de aquecimento.
	A alavanca do afogador está regulada para "FECHADO" apesar do motor estar quente.	Regule para "ABERTO".
	Ralenti baixo.	Ajuste o ralenti.
	Filtro de combustível obstruído.	Substitua.
	Filtro de ar contaminado ou obstruído.	Limpe ou substitua.
	Carburador anómalo.	Peça uma inspecção e manutenção.
	Avaria do silenciador de escape. (obstruído, etc.)	Peça uma inspecção e manutenção.
	Sistema de accionamento/eléctrico anómalo.	Peça uma inspecção e manutenção.
A lâmina metálica não roda. ↓ Pare o motor imediatamente	Porca de aperto da lâmina metálica desapertada.	Aperte bem.
	Paus apanhados pela lâmina metálica ou tampa de prevenção de dispersão.	Retire as substâncias estranhas.
	Sistema de accionamento anómalo.	Peça uma inspecção e manutenção.
A unidade principal vibra de forma anómala. ↓ Pare o motor imediatamente	Lâmina metálica quebrada, dobrada ou gasta.	Substitua a lâmina metálica.
	Porca de aperto da lâmina metálica desapertada.	Aperte bem.
	Parte convexada desviada da lâmina metálica e suporte da lâmina metálica.	Encaixe bem.
	Sistema de accionamento anómalo.	Peça uma inspecção e manutenção.
A lâmina metálica não pára imediatamente. ↓ Pare o motor imediatamente	Ralenti alto.	Ajuste o ralenti.
	Fio de acelerador desencaixado.	Encaixe bem.
	Sistema de accionamento anómalo.	Peça uma inspecção e manutenção.
O motor não pára. ↓ Coloque o motor em marcha lenta e regule a alavanca do afogador para FECHAR	Conector desencaixado.	Encaixe bem.
	Sistema eléctrico anómalo.	Peça uma inspecção e manutenção.

- Quando o motor não arranca após a operação de aquecimento:
Se não encontrar nenhuma anomalia nos itens de verificação, abra o regulador de velocidade cerca de 1/3.
- Se surgir uma anomalia que não se encontra nesta tabela, contacte o Centro de Serviço Autorizado.





















Tak fordi du har købt en DOLMAR udendørsmaskine. Vi er glade for at kunne anbefale dig dette DOLMAR-produkt, der er resultatet af et langt udviklingsprogram og mange års viden og erfaring. Læs venligst dette hæfte der i detaljer gennemgår de forskellige punkter, som demonstrerer maskinens fremragende ydeevne. Det vil gøre dig i stand til at opnå det bedst mulige resultat med dit DOLMAR-produkt.



Indhold	Side
Symboler	149
Sikkerhedsanvisninger	150
Tekniske data.....	154
Delenes betegnelser.....	155
Montering af håndtag.....	156
Montering af skærm.....	157
Montering af skæreværktøjet.....	158
Brændstof/påfyldning af brændstof	159
Korrekt håndtering af maskinen.....	160
Punkter vedrørende betjening og stopprocedure	161
Slibning af skæreværktøjet.....	162
Vedligeholdelsesinstruktioner	165
Opbevaring	167
Fejlfinding	169

SYMBOLER

Du skal være opmærksom på følgende symboler, når du læser brugsanvisningen.

	Læs brugsanvisningen og overhold advarsels- og sikkerhedsforholdsreglerne!		Hold arbejdsområdet fri for personer og dyr!
	Vær særlig forsigtig og opmærksom!		Bær hjelm, øjen- og høreværn!
	Forbudt!		Maksimal tilladelig hastighed for værktøj
	Hold afstand!		Blanding af brændstof og olie
	Risiko for flyvende genstande!		Manuel start af motor
	Tilbageslag!		Nødstop
	Rygning forbudt!		Førstehjælp
	Brug af åben ild forbudt!		TÆNDT/START
	Der skal anvendes beskyttelseshandsker!		SLUKKET/STOP
	Anvend kraftige støvler med skridsikre såler. Sikkerhedssko med stål-næse anbefales!		GASLÅS-POSITION

SIKKERHEDSANVISNINGER

Generelle retningslinjer

- Læs denne brugsanvisning så du bliver fortrolig med håndteringen af maskinen. Brugere, som ikke kender tilstrækkeligt til anvendelsen, er til fare for dem selv og andre pga. forkert håndtering af maskinen.
- Det anbefales kun at udlåne maskinen til personer, som har erfaring med håndtering af sådanne maskiner.
Overdrag altid brugsanvisningen.
- Førstegangsbrugere bør bede forhandleren om grundlæggende instrukser for at få kendskab til håndteringen af en buskryddere.
- Børn og personer under 18 år må ikke anvende maskinen. Personer over 16 må anvende maskinen til træningsformål under vejledning af en kvalificeret underviser.
- Anvend maskinen med allerstørste omhu og opmærksomhed.
- Anvend kun maskinen hvis du er ved godt helbred. Udfør alt arbejde roligt og forsigtigt. Brugeren har ansvaret for andre.
- Anvend aldrig denne maskine efter indtagelse af alkohol eller medicin, eller hvis du føler dig træt eller dårligt tilpas.
- Nationale bestemmelser kan begrænse brugen af maskinen.

Beregnet brug af maskinen

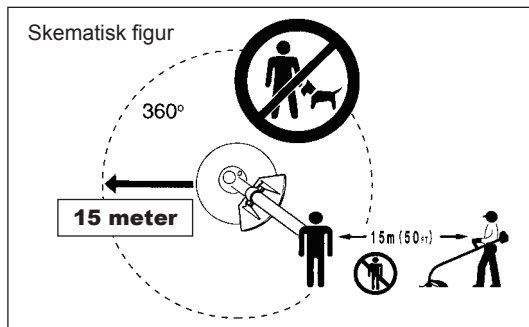
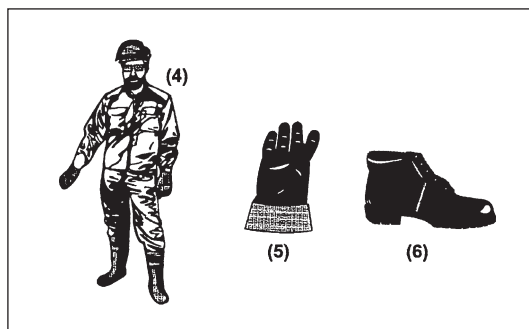
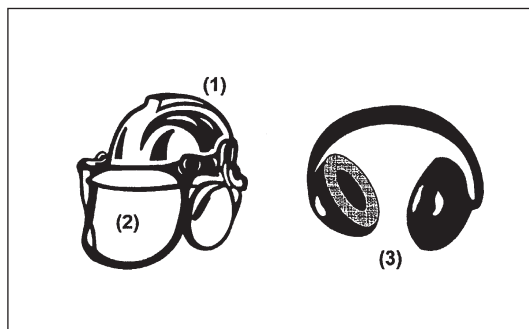
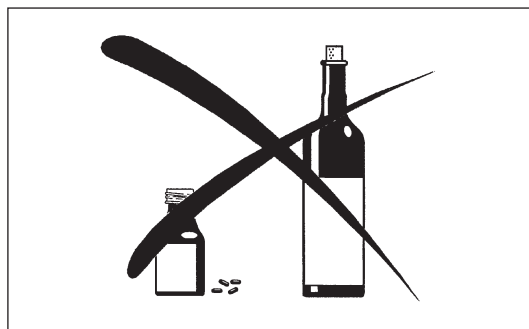
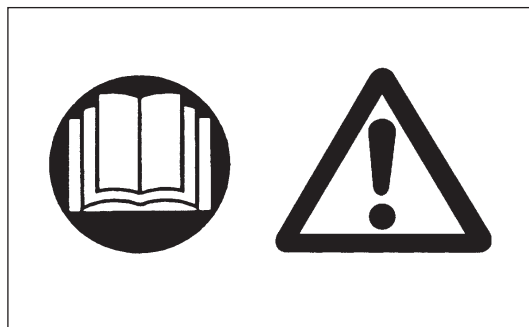
- Denne maskine er kun beregnet til klipping af græs, ukrudt, buske og bundvegetation. Den må ikke bruges til andre formål som f.eks. kantafretning eller hækkeklipping, eftersom det kan medføre personskader.

Personligt sikkerhedsudstyr

- Der skal bæres funktionelt og passende tøj, dvs. det bør sidde tæt, men ikke være til hindring. Bær ikke smykker eller tøj, der kan sidde fast i buske eller krat.
- For at undgå skader på hoved, øjne, hænder eller fødder samt for at beskytte din hørelse, skal du altid bære følgende sikkerhedsudstyr og beskyttelsesbeklædning under anvendelsen.
- Bær altid en hjelm på steder hvor der er risiko for, at ting falder ned. Beskyttelseshjelm (1) skal med jævne mellemrum efterses for skader, og skal udskiftes mindst hvert 5 år. Brug kun godkendte beskyttelseshjelme.
- Hjelmens visir (2) (eller alternativt beskyttelsesbriller) beskytter ansigtet mod flyvende afskårne dele og sten. Der skal der altid anvendes beskyttelsesbriller eller et visir under anvendelsen for at forhindre øjenskader.
- Anvend passende midler til beskyttelse mod støj for at undgå hørenedsættelse (høreværn (3) ørepropper m.v.).
- Arbejdsoveralls (4) beskytter mod flyvende sten og afskårne stykker. Vi anbefaler på det kraftigste, at brugeren anvender arbejdsoveralls.
- Handsker (5) er en del af det foreskrevne udstyr og skal altid bæres under anvendelsen.
- Når du anvender maskinen, skal du altid have solide sko (6) med skridsikre såler på. Dette beskytter mod skader og sikrer et godt fodfæste.

Start af buskrydderen

- Sørg for, at der ikke er nogen børn eller andre personer indenfor et arbejdsområde på 15 meter, samt vær opmærksom på eventuelle dyr i nærheden af arbejdsområdet.
- Før arbejdet påbegyndes, skal du altid kontrollere, at maskinen er klar til drift: Kontroller sikkerheden af skæreværktøjet, om gashåndtaget glider nemt, samt kontroller at gashåndtagsslåsen virker.
- Skæreværktøjet må ikke rotere i tomgang. Forhør dig hos din forhandler angående justering, hvis du er i tvivl. Sørg for, at håndtagene er rene og tørre og test funktionen af start/stop-kontakten.

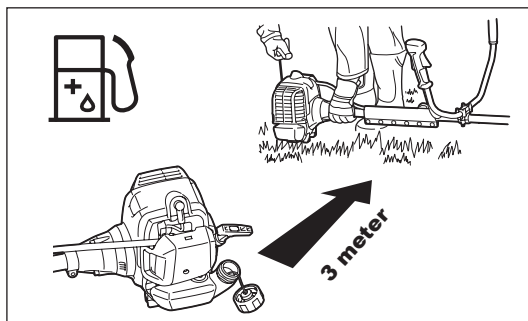
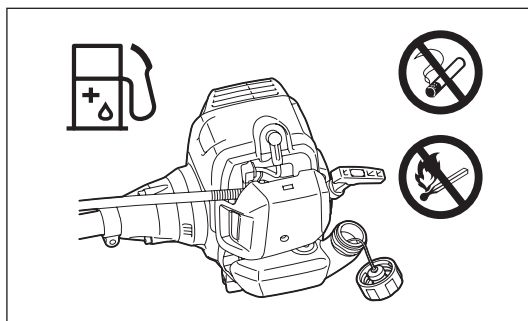
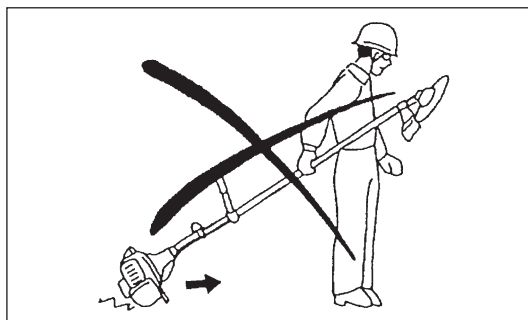
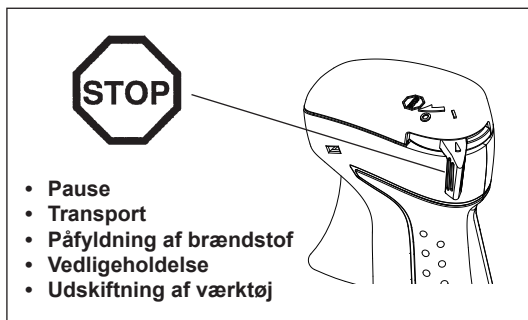
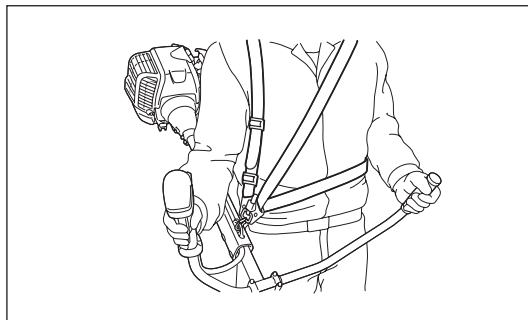
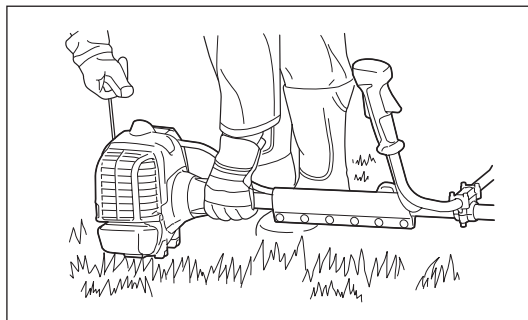


Start kun buskrydderen som beskrevet i brugsanvisningen.

- Benyt ikke andre metoder til at starte motoren med!
- Brug kun buskrydderen og værktøjerne til de specificerede anvendelser.
- Start kun motoren, når monteringen er fuldstændig udført. Det er kun tilladt at anvende maskinen, efter alt tilbehøret er monteret!
- Inden du starter, skal du sikre dig, at skæreværktøjet ikke er i kontakt med hårde objekter som f.eks. grene, sten eller lignende, eftersom skæreværktøjet drejer rundt, når du starter.
- Motoren skal øjeblikkeligt slås fra i tilfælde af motorproblemer.
- Skulle skæreværktøjet ramme sten eller andre hårde objekter, skal du straks slukke for motoren og efterse skæreværktøjet.
- Efterse skæreværktøjet for skader med korte jævne mellemrum (efterse for hårridses vha. banke-støj-testen).
- Hvis maskinen bliver udsat for stærkt tryk eller tabes, skal du kontrollere dens tilstand, inden du fortsætter arbejdet. Kontroller brændstofsyste­met for brændstolfækage samt betjenings- og sikkerhedsudstyr for funktionsfejl. Hvis der er nogen skader eller tvivlsspørgsmål, skal du bede vores autoriserede servicecenter om at foretage eftersyn og reparation.
- Anvend kun maskinen med bæreselen monteret, der desuden skal være ordentligt justeret, inden buskrydderen anvendes. Det er vigtigt at justere bæreselen i henhold til brugerens størrelse for at forhindre træthed under brug. Hold aldrig buskrydderen med kun én hånd under brug.
- Buskrydderen skal altid holdes med begge hænder under anvendelsen. Sørg altid for at have et godt fodfæste.
- Anvend maskinen på en sådan måde, at du undgår at indånde udstødningsgasserne. Lad aldrig motoren køre i indelukkede rum (risiko for gasforgiftning). Kulilte er en lugtfri gas.
- Sluk for motoren under pauser og når maskinen efterlades uden opsyn, og placer den på et sikkert sted for at forhindre at den er til fare for andre, eller maskinen beskadiges.
- Læg aldrig den varme buskrydder på tørt græs eller andre letantændelige materialer.
- Monter altid den godkendte afskærmning for skæreværktøj på maskinen, inden du starter motoren. Ellers kan kontakt med skæreværktøjet muligvis medføre alvorlig personskade.
- Alle sikkerhedsinstallationer og skærme, der følger med maskinen, skal anvendes under betjeningen.
- Anvend aldrig motoren med en defekt lyd­dæmper.
- Sluk for motoren under transport.
- Monter altid afskærmningen på metalklingen, når du transporterer maskinen.
- Sørg for at placere maskinen sikkert under biltransport for at undgå brændstolfækage.
- Sørg for at brændstoftanken er helt tom under transport.
- Når maskinen tages af vognen, må motoren aldrig tabes på jorden, eftersom dette kan medføre alvorlig beskadigelse af brændstoftanken.
- Undtagen i nødstilfælde må du aldrig tabe eller kaste maskinen ned på jorden, ellers kan dette beskadige maskinen alvorligt.
- Husk altid at løfte hele maskinen op fra jorden, når du flytter den. Det er yderst farligt at trække brændstoftanken hen over jorden, og det kan forårsage skader samt lækage af brændstof, der muligvis kan medføre brandudvikling.
- Undgå kontakt med lyd­dæmperen. Den bliver meget varm under anvendelsen.
- Betjen ikke motoren i eksplosive atmosfærer, for eksempel ved tilstedeværelse af brændbare væsker, gasser eller støv. Motoren frembringer gnister, der kan antænde støv eller dampe.

Påfyldning af brændstof

- Sluk for motoren under påfyldning af brændstof, hold maskinen væk fra åben ild, samt undlad ryge.
- Undgå hudkontakt med mineralske olieprodukter. Indånd ikke brændstofdampe. Bær altid beskyttelseshandsker under påfyldning af brændstof. Skift og rens beskyttelsesbeklædningen med jævne mellemrum.
- Pas på ikke at spilde hverken brændstof eller olie for at forhindre forurening af jorden (miljøbeskyttelse). Rengør omgående buskrydderen, hvis du har spildt brændstof.
- Undgå at få brændstof på tøjet. Skift øjeblikkeligt tøj, hvis der kommer brændstof på (for at undgå at der går ild i tøjet).
- Efterse brændstofdækslet med jævne mellemrum for at sikre, at det kan lukkes ordentligt, og der ikke lækker brændstof ud.
- Stram omhyggeligt brændstoftankens dæksel til. Skift sted inden motoren startes (mindst 3 meter væk fra stedet for brændstofpåfyldningen).
- Påfyld aldrig brændstof i lukkede rum. Der kan ophobes brændstofdampe i jordhøjde (risiko for eksplosion).
- Foretag kun transport og opbevaring af brændstof i godkendte beholdere. Sørg for, at brændstof opbevares således, at børn ikke har adgang til det.



Betjeningsmetode

- Brug kun maskinen i god belysning og med godt udsyn. I vintersæsonen skal du være på vagt overfor glatte eller våde områder, is og sne (der er risiko for at falde). Sørg altid for at have et godt fodfæste.
- Skær aldrig over hoftehøjde.
- Stå aldrig på en stige med maskinen.
- Kravl aldrig op i træer for at klippe eller skære.
- Arbejd aldrig på ustabile overflader.
- Fjern sand, sten, søm m.v. som findes inden for arbejdsområdet. Fremmedlegemer kan beskadige skæreværktøjet og forårsage farlige tilbageslag.
- Inden foretagelse af skærearbejde skal skæreværktøjet have nået op på fuld arbejdshastighed.
- Når du anvender metalklinger, skal du svinge maskinen jævnt i en halvcirkel fra højre til venstre som ved brug af en le. Hvis der sætter sig græs eller grene fast mellem skæreværktøjet og afskærmningen, skal du altid standse motoren inden rengøring. Ellers kan utilsigtet klingerotation muligvis forårsage alvorlige personskader.
- Hold pauser for at forhindre tab af kontrol pga. træthed. Vi anbefaler, at du tager en 10 til 20 minutters pause hver time.

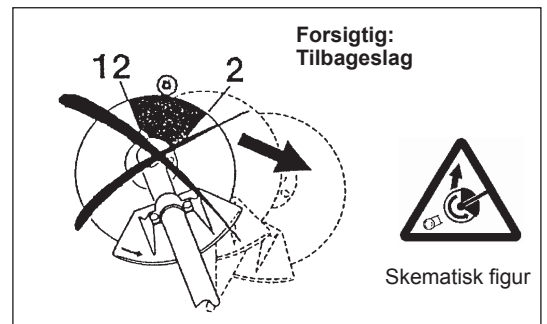


Skæreværktøjer

- Brug et skæreværktøj der passer til det aktuelle job. Nylontrimmerhoveder (snortrimmerhoveder) passer til trimning af græsplæne. Metalklinger passer til klipning af ukrudt, højt græs, buske, krat, underskov, buskads og lignende. Brug aldrig andre klinger, herunder pivoterende flerstykkede metalkæder og tærseklinger. Ellers kan det muligvis medføre alvorlig personskade.
- Når du bruger metalklinger, skal du undgå "tilbageslag" og altid være forberedt på et utilsigtet tilbageslag. Se afsnittet "Tilbageslag".

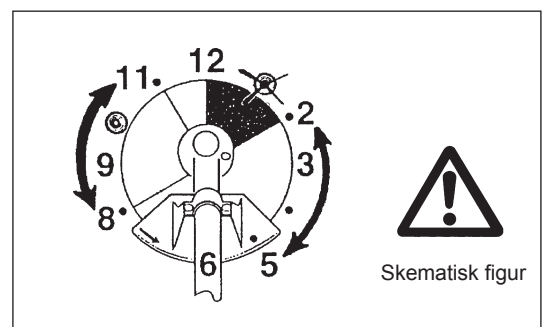
Tilbageslag (klingestød)

- Tilbageslag (klingestød) er en pludselig reaktion på en metalklinge, som sidder fast eller binder. Når det sker kastes udstyret ud til siden eller mod operatøren med stor kraft, og det kan muligvis medføre alvorlig personskade.
- Tilbageslag opstår i særdeleshed ved anvendelse af klingesegmentet mellem klokken 12 og 2 til faste ting, buske og træer med en diameter på 3 cm eller mere.
- Sådan undgås tilbageslag:
 - Anvend segmentet mellem klokken 8 og 11;
 - Anvend aldrig segmentet mellem klokken 12 og 2;
 - Anvend aldrig segmentet mellem klokken 11 og 12 og mellem klokken 2 og 5 medmindre operatøren er godt trænet og erfaren, og gør det på hans/hendes egen risiko;
 - Anvend aldrig metalklinger tæt på faste ting, som f.eks. hegn, mure, træstammer og sten;
 - Anvend aldrig metalklinger lodret, f.eks. til funktioner som kantafretning og hækkeklipping.



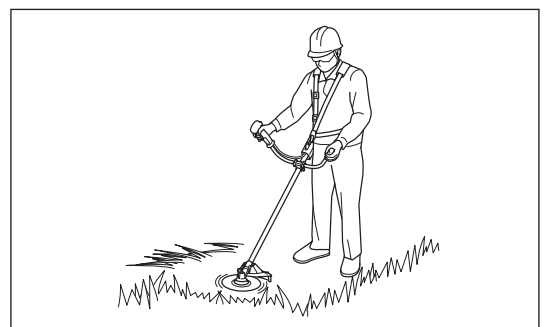
Vibration

- Personer med dårligt blodomløb, der udsættes for kraftige vibrationer, risikerer beskadigelse af blodkar eller nervesystemet. Vibrationer kan medføre følgende symptomer i fingre, hænder eller håndled: Leddet "sover" (følelsesløshed), prikken, smerte, stikken, ændring af hudfarven eller af huden. Søg læge, hvis nogle af disse symptomer opstår!
- For at reducere risikoen for "hvide fingre" skal du holde dine hænder varme under anvendelsen og vedligeholde maskinen og tilbehøret på ordentlig vis.



Vedligeholdelsesvejledning

- Få din maskine serviceet af dit autoriserede servicecenter og anvend altid kun originale reservedele. Forkert reparation og dårlig vedligeholdelse kan forkorte maskinens levetid og forøge risikoen for uheld.
- Buskrydderens tilstand, især beskyttelsesanordningerne for skæreværktøjet og også bæreselen, skal kontrolleres inden brug. Vær ekstra opmærksom på metalklingerne, der skal være slebet korrekt.
- Sluk for motoren og fjern tændrørshætten, når du udskifter eller sliber skæreværktøjer, samt også når du rengør buskrydderen eller skæreværktøjet.



Forsøg aldrig at rette beskadigede skæreværktøjer ud eller svejse dem.

- Vær opmærksom på omgivelserne. Undgå unødvendig aktivering af gashåndtaget for mindre luft- og støjforurening. Foretag korrekt justering af karburatoren.
- Rengør maskinen med jævne mellemrum og kontroller, at alle skruer og møtrikker er strammet ordentligt til.
- Foretag aldrig service eller opbevaring af maskinen i nærheden af åben ild.
- Opbevar altid maskinen på et aflåst sted og med en tom brændstoftank.
- Monter altid afskærmningen på metalklingen, når du rengør, servicerer og opbevarer maskinen.



Overhold de relevante vejledninger angående ulykkesforebyggelse som udgives af de pågældende brancheforeninger og forsikringsfirmaer. Af sikkerhedshensyn skal man ikke foretage ændringer på maskinen.

Udførslen af vedligeholdelsesarbejde eller reparationer af brugeren er begrænset til de ting, der er beskrevet i brugsanvisningen. Alt andet arbejde skal udføres af en godkendt serviceagent. Brug kun ægte reservedele og tilbehør som forhandles og leveres af DOLMAR.

Brug af ikke-godkendt tilbehør og værktøjer kan forøge risikoen for uheld.

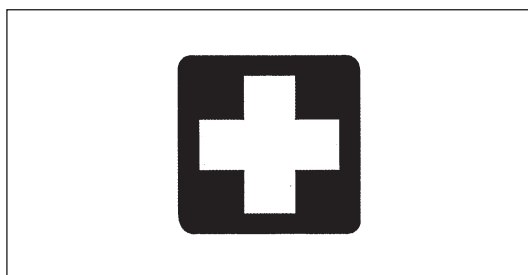
DOLMAR påtager sig intet ansvar for ulykker eller skader, der er opstået på grund af brug af ikke-godkendte skæreværktøjer, fastgørelsesmidler til skæreværktøjer eller tilbehør.

Førstehjælp

I tilfælde af en ulykke skal du sørge for at have en førstehjælpskasse i nærheden af det sted, hvor du udfører skærearbejde. Erstat straks de ting der benyttes fra førstehjælpskassen.

Oplys venligst følgende hvis du tilkalder hjælp:

- Sted for ulykke
- Hvad der er sket
- Antallet af tilskadede personer
- Hvilke skader det drejer sig om
- Dit navn



Kun for lande i Europa

EF-overensstemmelseserklæring

Makita erklærer at følgende maskine(r):

Maskinens betegnelse: Benzindrevet buskrydder

Modelnummer/type: MS-34 U, MS-34 C

Overholder følgende europæiske direktiver:

2000/14/EF, 2006/42/EF

De er produceret i overensstemmelse med den følgende standard eller standardiserede dokumenter:

EN ISO 11806-1

Den tekniske fil er i overensstemmelse med 2006/42/EF til rådighed fra:

Makita, Jan-Baptist Vinkstraat 2, 3070, Belgien

Den konformitetsvurderingsprocedure, der kræves af Direktiv 2000/14/EF, blev udført i henhold til appendiks V.

MS-34 U (Med nylontrimmerhoved):

Målt lydeffektniveau: 109,1 dB

Garanteret lydeffektniveau: 110 dB

MS-34 U (Med klinge):

Målt lydeffektniveau: 105,8 dB

Garanteret lydeffektniveau: 106 dB

MS-34 C (Med nylontrimmerhoved):

Målt lydeffektniveau: 110,4 dB

Garanteret lydeffektniveau: 112 dB

MS-34 C (Med klinge):

Målt lydeffektniveau: 105,9 dB

Garanteret lydeffektniveau: 107 dB

6. 6. 2014

Yasushi Fukaya
Direktør

Makita, Jan-Baptist Vinkstraat 2, 3070, Belgien

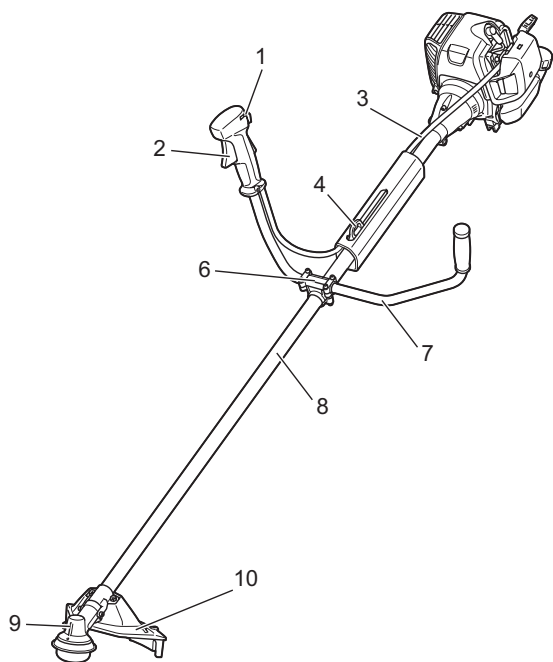
TEKNISKE DATA

Model		MS-34 U		MS-34 C			
Håndtagstype		Cykelhåndtag		Bøjlehåndtag			
Mål: længde x bredde x højde (uden skæreværktøj)		mm		1.815 x 650 x 435			
Vægt (uden afskærmning for skæreværktøj og skæreværktøj)		kg		6,4			
Volumen (brændstoftank)		l		0,75			
Motorvolumen		cm ³		34,0			
Maksimal motorydelse		kW		1,15 ved 7.000 min ⁻¹			
Motorhastighed ved anbefalet maksimal spindelhastighed		min ⁻¹		10.000			
Maksimal spindelhastighed (tilsvarende)		min ⁻¹		6.800			
Tomgangshastighed		min ⁻¹		2.800			
Omdrejningstal ved indkobling		min ⁻¹		4.100			
Karburator		type		WALBLO WYJ			
Tændrør		type		NGK BPMR7A			
Elektrodeafstand		mm		0,6 - 0,7			
				NYLONTRIMMERHOVED	METALKLINGE		
Vibration pr. ISO 22867	Højre håndtag (Bagerste greb)	$a_{hv\ eq}$	m/s ²	4,1	4,0	4,6	4,3
		Usikkerhed K	m/s ²	1,0	0,5	2,0	1,0
	Venstre håndtag (Forreste greb)	$a_{hv\ eq}$	m/s ²	4,4	4,3	5,5	5,4
		Usikkerhed K	m/s ²	1,8	1,2	1,4	1,0
Gennemsnitligt lydtryksniveau iht. ISO 22868		$L_{PA\ eq}$	dBA	95,0	92,7	95,9	91,3
		Usikkerhed K	dBA	2,5	0,7	1,0	1,1
Gennemsnitligt lydstyrkeniveau iht. ISO 22868		$L_{WA\ eq}$	dBA	109,1	105,8	110,4	105,9
		Usikkerhed K	dBA	1,0	0,4	1,6	0,8
Blandingsforhold (brændstof: DOLMAR 2-taktsolie)				50 : 1			
Skæreværktøjer (klingediameter)		mm		255 (med 4-tandet klinge)			
Gearforhold				13/19			

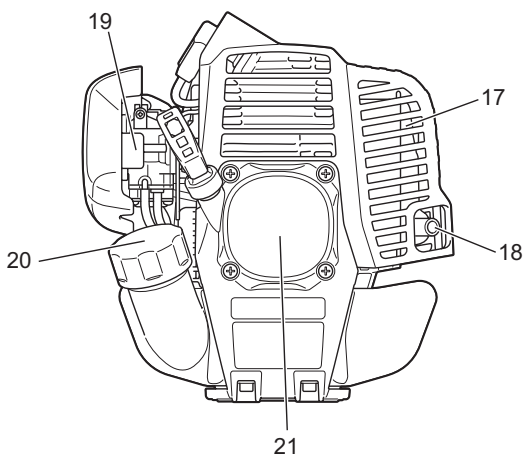
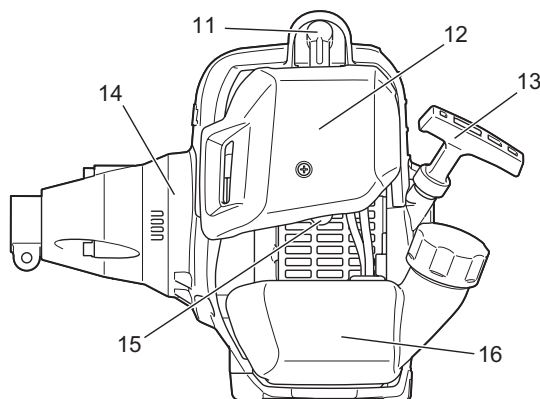
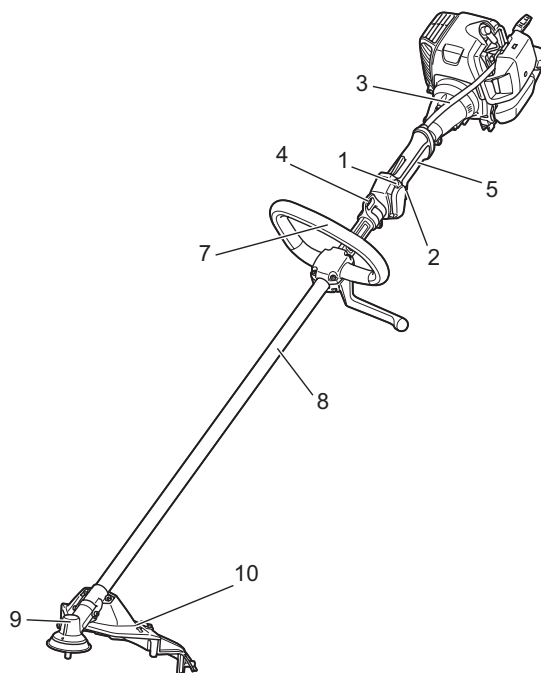
- På grund af vores løbende forsknings- og udviklingsprogram kan specifikationerne heri ændres uden forudgående varsel.
- Specifikationerne kan variere fra land til land.

DELENES BETEGNELSER

MS-34 U



MS-34 C



DELENES BETEGNELSER	
1	I-O kontakt (tænd/sluk)
2	Gashåndtag
3	Styrekabel
4	Bøjle
5	Bagerste greb
6	Håndtagsholder
7	Håndtag
8	Skaft
9	Gearkasse
10	Skærm (Afskærmning for skæreværktøj)
11	Tændrør
12	Luftfilter
13	Starthåndtag
14	Koblingshus
15	Tipper
16	Brændstoftank
17	Lyddæmper
18	Udstødningsrør
19	Chokerhåndtag
20	Brændstoftankdæksel
21	Rekylstarter

MONTERING AF HÅNDTAG

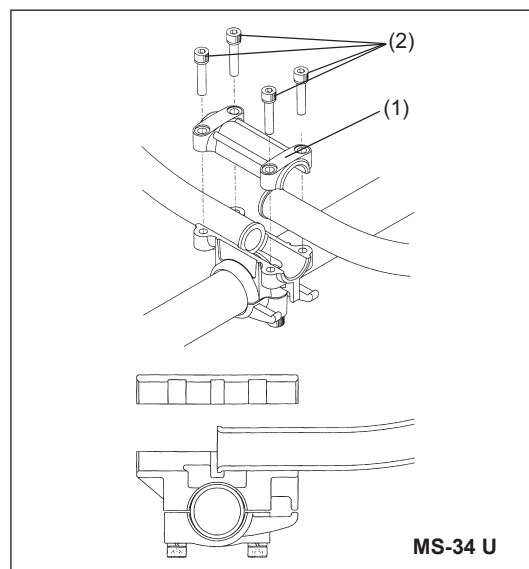
FORSIGTIG: Inden du udfører arbejde på maskinen, skal du altid stoppe motoren og fjerne tændørshætten fra tændrøret.

Bær altid beskyttelseshandsker!

FORSIGTIG: Start kun motoren efter den er helt samlet.

For modeller med cykelhåndtag

- Placer håndtaget med gashåndtaget på håndtagsholderen på højre side (så det holdes med højre hånd) og det andet på den venstre side.
- Tilpas håndtagskanten til håndtagsholderens rille og fastgør midlertidigt håndtagsholderens øvre side (1) med fire bolte M5 x 25 (2).
- Juster håndtaget til en vinkel der er nem at håndtere, og stram bolten (2) ens i højre og venstre side.



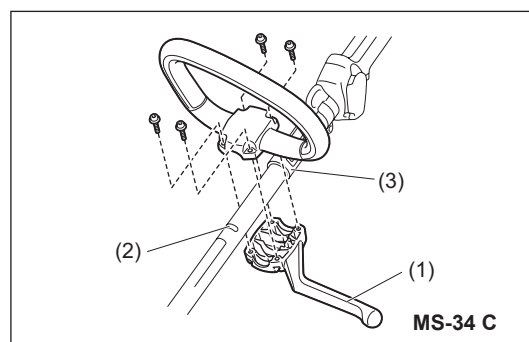
For modeller med bøjlehåndtag

- Fastgør en spærre (1) på venstre side af maskinen sammen med håndtaget for betjeningsikkerhed.
- Sørg for at grebets/barrierens montering er placeret mellem afstandsstykket og pilemærket (2).

⚠ ADVARSEL: Du må hverken fjerne eller formindske afstandsstykket (3). Afstandsstykket sikrer en bestemt afstand mellem begge hænder. Indstilles grebet/skærmens montering tæt på det andet greb, udover afstandsstykkets længde, kan det medføre tab af kontrol og personskaade.

BEMÆRK:

- I visse lande er afstandsstykket ikke inkluderet. I dette tilfælde skal grebets/barrierens montering placeres mellem pilemærkerne.

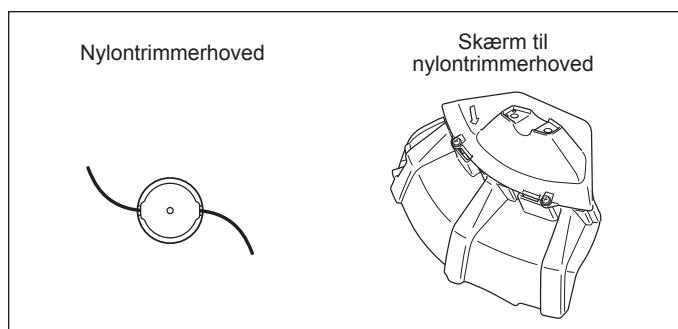
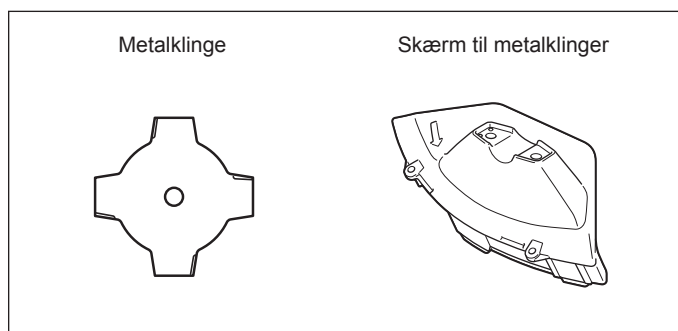


MONTERING AF SKÆRM

For at leve op til de gældende sikkerhedsbestemmelser må der kun anvendes de kombinationer af værktøj/afskærmning, som er angivet i tabellen.

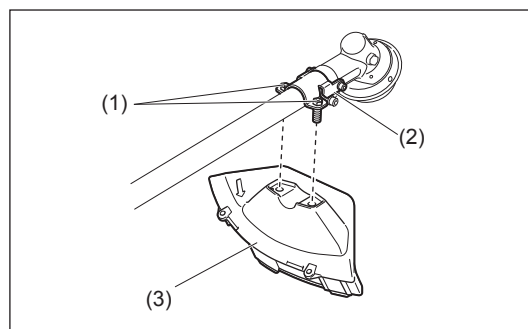
FORSIGTIG: Der skal altid være monteret den rigtige skærm for din egen sikkerheds skyld, samt for at overholde bestemmelserne for ulykkesforebyggelse. Det er ikke tilladt at betjene maskinen uden korrekt monteret skærm.

BEMÆRK: Standardkombinationen af skæreværktøjer varierer fra land til land.



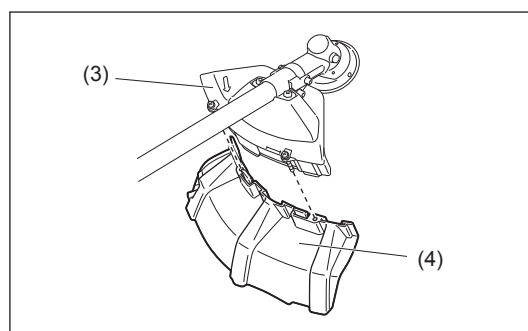
– Ved brug af metalklingen fastgøres skærmen (3) til spændebøjlen (2) med to bolte (1).

BEMÆRK: Stram den højre og venstre bolt lige meget, sådan at afstanden mellem spændebøjlen (2) og skærmen (3) er konstant. Ellers fungerer skærmen nogle gange ikke som angivet.



– Når nylonnorskniven skal anvendes, skal du sørge for at montere nylonnorsknivens skærm (4) oven på metalklingskærmen (3).

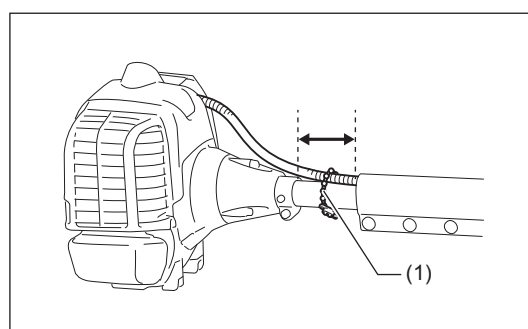
FORSIGTIG: Pas på du ikke kommer til skade på kniven til skæring af nylonnoren.



(Kun for model MS-34 U)

Montering af fastgørelseselementet

Fastgør styrekablet til skaftet ved hjælp af fastgørelseselementet (1) i det område, som er vist på figuren.



MONTERING AF SKÆREVÆRKTØJET

Sørg for at anvende ægte DOLMAR-metalklinger eller nylontrimmerhoved.

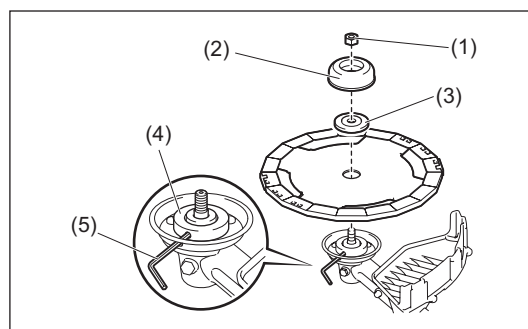
- Metalklingen skal være ordentligt rensed, fri for ridser og revner. Hvis metalklingen rammer mod en sten under arbejdet, skal du stoppe motoren og straks undersøge klingen.
- Rens eller udskift metalklingen efter hver tre timers brug.
- Hvis nylontrimmerhovedet rammer mod en hård genstand som f.eks. en sten under arbejdet, skal du stoppe motoren og øjeblikkeligt undersøge nylontrimmerhovedet.

FORSIGTIG: Der skal altid være monteret den rigtige skærm for din egen sikkerheds skyld, samt for at overholde bestemmelserne for ulykkesforebyggelse.
Det er ikke tilladt at betjene maskinen uden korrekt monteret skærm.
Den udvendige diameter på klingen skal være på 255 mm eller mindre. Anvend aldrig nogen klinger med en større udvendig diameter end 255 mm.

FORSIGTIG: Kontroller, at skæreværktøjet er ordentligt fastgjort inden anvendelse.

Vend maskinen om, så kan du nemt udskifte metalklingen eller nylontrimmerhovedet.

- Indsæt unbrakonøglen (5) gennem hullet i gearkassen og drej modtageskiven (4) indtil den er låst med unbrakonøglen.
- Løsn møtrikken (1) (venstregevind) med topnøglen og fjern møtrikken (1), underlagsskiven (2) og klemmeskiven (3).

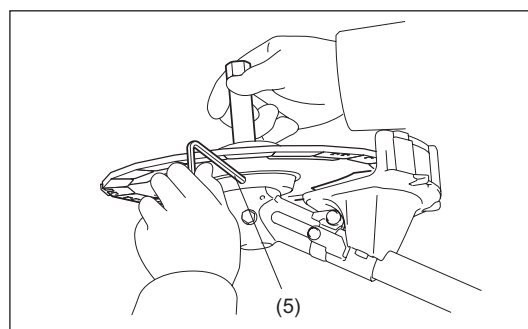


Montering af metalklingen med unbrakonøglen (5) stadig på plads

- Monter metalklingen på skaftet så føringen på modtageskiven (4) passer ind i skaftåbningen på metalklingen. Monter klemmeskiven (3), underlagsskiven (2), og fastgør metalklingen med møtrikken (1).
[Tilspændingsmoment: 13 - 23 N-m]

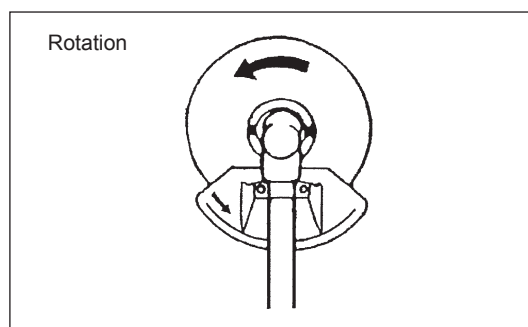
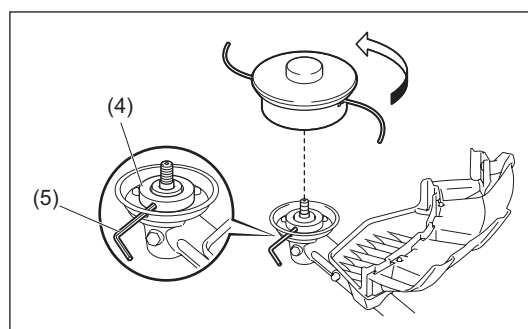
BEMÆRK: Bær altid handsker, når du håndterer metalklingen.

BEMÆRK: Fastspændingsmøtrikken til metalklingen (med fjederskive) er en forbrugsdel. Hvis der kan ses slid eller deformation på fjederskiven, skal du udskifte møtrikken.



Montering af nylontrimmerhoved

- Klemmeskiven (3), underlagsskiven (2) og møtrikken (1) behøves ikke for montering af nylontrimmerhovedet. Nylontrimmerhovedet placeres oven på modtageskiven (4).
- Indsæt unbrakonøglen (5) gennem hullet i gearkassen og drej modtageskiven (4) indtil den er låst med unbrakonøglen.
- Skru derefter nylontrimmerhovedet på skaftet ved at dreje det mod urets retning.
- Fjern unbrakonøglen (5).



BRÆNDSTOF/PÅFYLDNING AF BRÆNDSTOF

Håndtering af olieprodukter

Du skal være yderst forsigtig, når du håndterer brændstof. Brændstof kan indeholde substanser, der minder om opløsningsmidler. Påfyld brændstof på enten et godt ventileret område eller udendørs. Indånd ikke brændstofdampe og undgå hudkontakt med brændstof eller olie.

Mineralske olieprodukter fjerner fedtet fra din hud. Hvis huden gentagne gange kommer i kontakt med disse stoffer og i længere tid af gangen, kan det medføre forskellige hudsygdomme. Desuden kan der opstå allergiske reaktioner. Øjnene kan blive irriterede ved kontakt med olie, brændstof osv.

Hvis du får olie i øjnene, skal du straks vaske dem med rent vand.

Hvis dine øjne stadig er irriterede, skal du straks opsøge en læge.

Blanding af brændstof og olie

Buskrydderens motor er en højeffektiv totaktsmotor.

Den kører på en blanding af brændstof og totaktsmotorolie. Motoren er designet til brug af almindeligt blyfrit brændstof med en oktanværdi på mindst 91 RON. Hvis der ikke er sådan en slags brændstof til rådighed, kan du anvende brændstof med en højere oktanværdi. Dette vil ikke påvirke motoren, men det kan muligvis forringe ydeevnen.

Lignende problem opstår ved brug af blyholdigt brændstof. For at opnå optimal motorydeevne og for at beskytte dit helbred og miljøet, bør du kun anvende blyfri brændstof!

Brug en totaktsmotorolie til smøring af motoren (kvalitetsklasse: JASO FC eller ISO EGD) som tilføjes til brændstoffet. Motoren er designet til at anvende totaktsmotorolie fra DOLMAR med et blandingsforhold på 50:1 for at beskytte miljøet. Endvidere sikrer det en lang levetid og sikker drift med et minimalt udslip af udstødningsgas. Det er meget vigtigt at overholde blandingsforholdet på 50:1 for 2-taktsmotorolien fra DOLMAR. Ellers kan der ikke garanteres for sikker funktion af buskrydderen.

Korrekt blandingsforhold:

Bland 50 dele benzin med 1 del 2-taktsmotorolie fra DOLMAR (se tabellen til højre).

BEMÆRK: Ved blandingen af brændstoffet og olien skal hele oliemængden først blandes med halvdelen af den krævede brændstoffmængden i en beholder, som er godkendt til formålet og lever op til eller overgår alle lokale standarder, og derefter tilføjes det resterende brændstof. Ryst blandingen godt inden du hælder den ind i tanken på buskrydderen. Det er ikke tilrådeligt at tilføje mere motorolie, end der er angivet, hvis en sikker drift skal opretholdes. Dette vil blot resultere i en højere produktion af forbrændingsrester, der forurener miljøet og tilstopper udstødningskanalen i cylinderen, tændrørene såvel som lyddæmperen. Endvidere stiger brændstofforbruget og ydeevnen forringes.

Påfyldning af brændstof

Påfyld aldrig brændstof på et lukket, uventileret sted.

Motoren skal slukkes!

- Rengør omhyggeligt rundt om tankdækslet for at undgå, at der kommer skidt i brændstofftanken (1).
- Skru tankdækslet af (2) og fyld tanken med brændstof.
- Fyld aldrig brændstofftanken helt på til toppen.
- Skru tankdækslet ordentligt på.
- Tør skrueproppen og tanken af med en absorberende klud efter påfyldning af brændstof!
Lad kludene tørre og bortskaf dem i en passende beholder.

BEMÆRK: I visse lande er tankdækslet ikke udstyret med snoren (3).

Opbevaring af brændstof



Brændstof kan ikke opbevares i en ubegrænset tidsperiode.

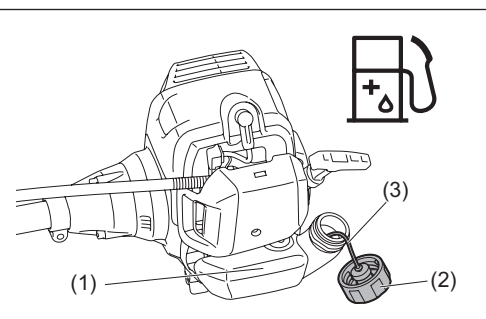
Køb kun den mængde som er nødvendig for 4 ugers arbejde. Anvend kun godkendte beholdere til brændstofopbevaring.



Overhold sikkerhedsanvisningerne på side 151!



Benzin (premium blyfri)	50:1
	
1.000 ml (1 l) 5.000 ml (5 l) 10.000 ml (10 l)	20 ml 100 ml 200 ml



KORREKT HÅNDTERING AF MASKINEN

ADVARSEL: Hvis du ikke har fuld kontrol over maskinen, kan det resultere i alvorlig kvæstelse eller DØD.

Montering af bærerem

- Juster længden af remmen, så klingens holder parallelt med jorden.

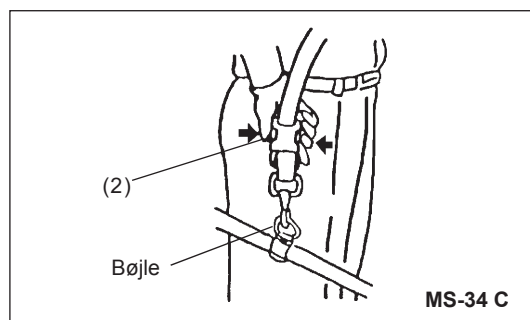
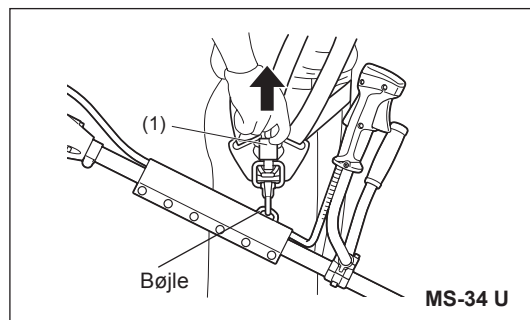
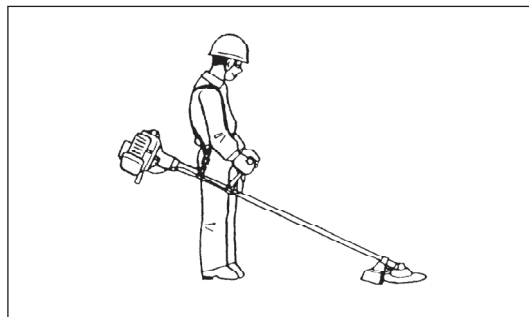
Aftagning

Til MS-34 U

- I nødstilfælde skal du trække op i kroget (1) for at frigøre dig fra maskinen. Du skal være meget omhyggelig med at beholde kontrollen over maskinen på dette tidspunkt. Tillad ikke maskinen at blive slået tilbage mod dig eller andre i nærheden.

Til MS-34 C

- I en nødsituation skal du trykke på indhakkene (2) på begge sider, hvorefter du kan frigøre dig fra maskinen. Du skal være meget omhyggelig med at beholde kontrollen over maskinen på dette tidspunkt. Tillad ikke maskinen at blive slået tilbage mod dig eller andre i nærheden.



PUNKTER VEDRØRENDE BETJENING OG STOPPROCEDURE

FORSIGTIG: Overhold de gældende bestemmelser for ulykkesforebyggelse!

START

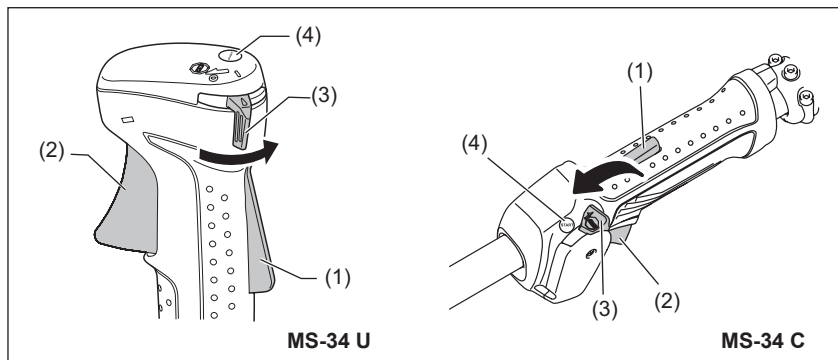
ADVARSEL: Vær opmærksom på at skæreværktøjet straks begynder at rotere, efter motoren er startet. Kontroller, at skæreværktøjet ikke er i kontakt med hårde genstande som grene, sten osv.

FORSIGTIG:

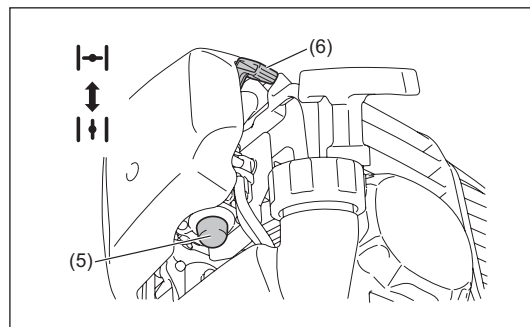
- Gå mindst 3 m væk fra stedet for brændstofpåfyldningen. Placer enheden på jorden mens du passer på, at skæreværktøjet ikke kommer i kontakt med jorden eller andre genstande.
- Træk aldrig snoren maksimalt ud. Når først starthåndtaget er trukket, må du aldrig slippe med det samme. Hold i starthåndtaget indtil det vender tilbage til dets oprindelige position.

A: Koldstart

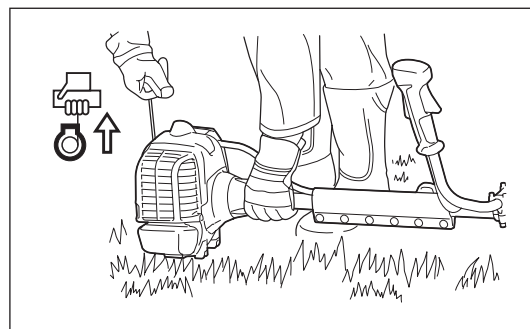
- 1) Placer maskinen på et plant område.
- 2) Grip fat i håndtaget (sikkerhedslåsen (1) løsnes ved grebet).
- 3) Tryk på gashåndtaget (2) og hold det inde.
- 4) Skub I-O kontakten (3) hen på START (4). Det sætter gashåndtaget i låst halv gas-status.



- 5) Tryk let på tipperen (5) flere gange (7-10 gange), indtil der kommer brændstof ind i tipperen.
- 6) Flyt chokerhåndtaget (6) til den øverste position (| | - lukket choker).



- 7) Hold enheden med din venstre hånd.
- 8) Træk forsigtigt i starthåndtaget indtil der føles trykspænding. Træk derefter hårdt i det.
- 9) Gentag startbetjeningen indtil den første tænding høres.
- 10) Når motoren starter, returneres chokerhåndtaget til " | | - åben choker"-position.
- 11) Så snart motoren starter, skal du straks gribe fat i håndtaget (sikkerhedslåsen løsnes ved grebet) og trykke lidt ind på gashåndtaget og slippe det. (Det ophæver den låste halv gas-status, og motoren kører i tomgang.)
- 12) Kør motoren i cirka et minut ved moderat hastighed, inden du gasser helt op.



B: Varmstart

– Som beskrevet ovenfor, med undtagelse af flytning af chokerhåndtaget (chokerhåndtaget forbliver i " | | - åben choker"-positionen).

BEMÆRK:

Hvis der er opstået et for stort brændstofindtag, skal du fjerne tændrøret og trække langsomt i starthåndtaget for at fjerne det overskydende brændstof. Tør også tændrørets elektrodedel af.

Vær opmærksom på følgende under arbejdet: Hvis gashåndtaget åbnes helt op, uden der er nogen belastning, stiger motoromdrejningerne til 10.000 min⁻¹ eller mere.

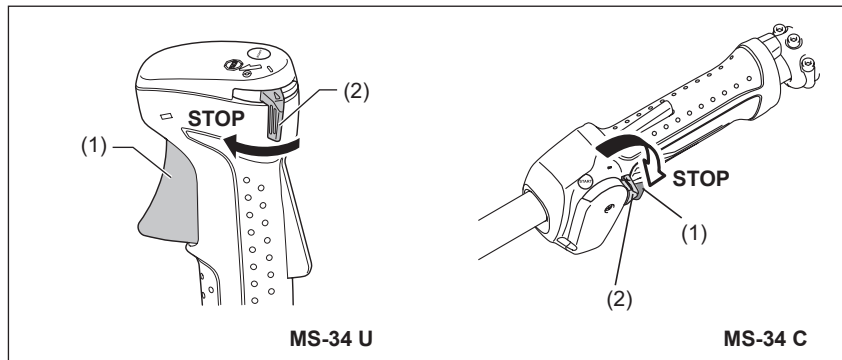
Betjen aldrig motoren ved højere hastighed end nødvendigt. Betjen motoren ved en passende hastighed på 6.000 - 8.000 min⁻¹.

STOPPROCEDURE

- 1) Slip gashåndtaget (1) helt.
- 2) Når motoromdrejningstallet bliver lavere, skal du indstille I-O kontakten (2) på STOP-positionen.

FORSIGTIG:

Vær opmærksom på at trimmerhovedet muligvis ikke stopper øjeblikkeligt.
Giv det tid til at sænken farten helt.

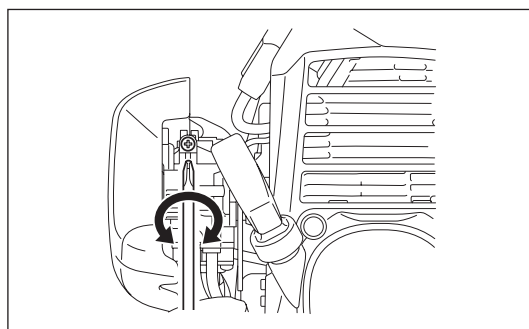


JUSTERING AF TOMGANGSHASTIGHED

Når det er nødvendigt at justere tomgangshastigheden, skal du justere på karburatorens justerings skrue.

KONTROL AF TOMGANGSHASTIGHED

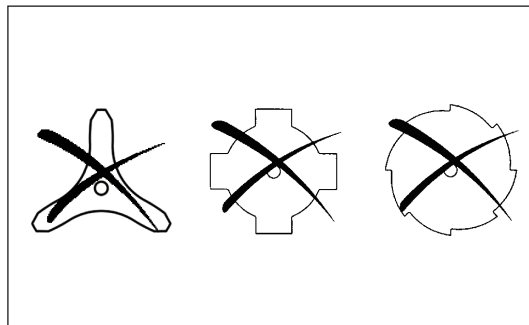
- Indstil tomgangshastigheden til 2.800 min⁻¹.
Hvis det er nødvendigt at ændre tomgangshastigheden, skal du anvende en phillips-skruetrækker til at skrue på skruen.
- For at forøge tomgangshastigheden skal du dreje justeringsskruen i urets retning.
For at reducere tomgangshastigheden skal du dreje justeringsskruen mod urets retning.
- Karburatoren er indstillet på fabrikken. Men skal omjusteres, når tomgangshastigheden har været brugt adskillige gange.



SLIBNING AF SKÆREVÆRKTØJET

FORSIGTIG: Skæreværktøjerne vist på illustrationen må ikke slibes. Manuel slibning vil resultere i ubalancer i skæreværktøjet, hvilket forårsager vibrationer og skader på maskinen.

BEMÆRK: For at forlænge klingens levetid, kan den vendes om en enkelt gang, indtil begge skærekanter er blevet sløve.

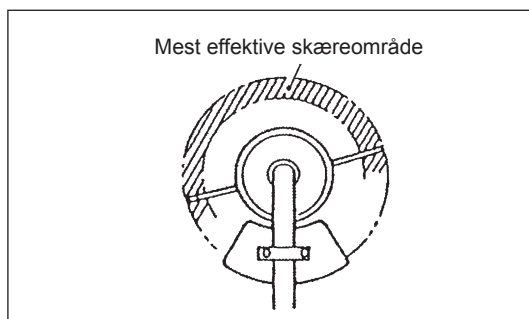


NYLONTRIMMERHOVED

Nylontrimmerhovedet er et trimmerhoved med to snore udstyret med bank-fremføringsmekanisme.
Nylontrimmerhovedet fremfører nylon snoren, efter trimmerhovedet er blevet banket let ned i jorden.

Betjening

- Forøg nylontrimmerhovedets hastighed til cirka 6.000 min⁻¹.
Bank nylontrimmerhovedet let ned i jorden.
- Det mest effektive skæreområde er vist med det skraverede område.
- Hvis nylon snoren ikke fremføres, skal du oprulle/udskifte nylon snoren ved at følge de procedurer, som er beskrevet under "Udskiftning af nylon snoren".

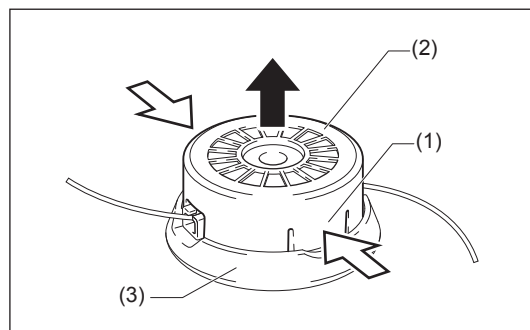


Udskiftning af nylon snoren (BANK-FREMFØRING)

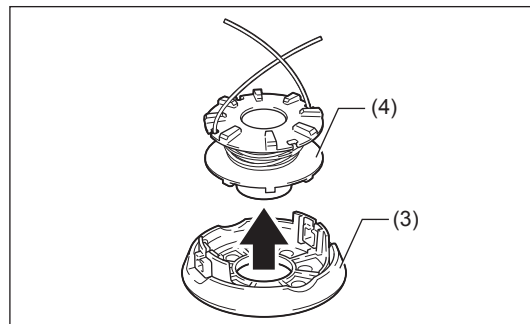
⚠ ADVARSEL:

- Sørg for, at nylontrimmerhovedets dæksel er ordentligt fastgjort til huset som beskrevet nedenfor. Fastgøres dækslet ikke ordentligt, kan det medføre, at nylontrimmerhovedet flyver af med alvorlige personskader til følge.

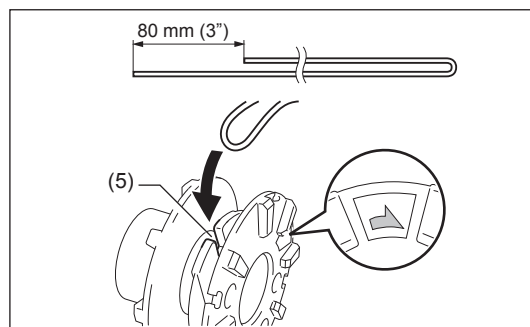
1. Tryk klemmekonstruktionerne (1) på huset (2) ind og løft op for at fjerne dækstykket (3).



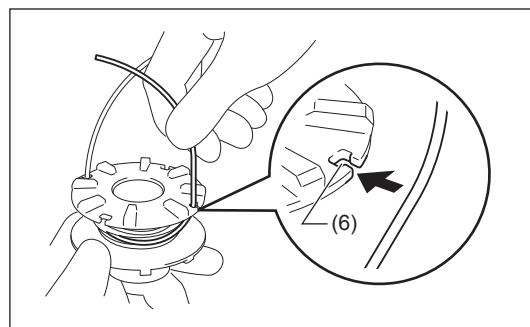
2. Frigør nylon snoren fra øjet. Fjern spolen (4) fra dækstykket. Smid den resterende nylon snor ud.



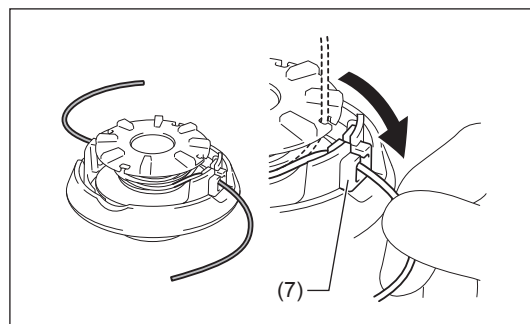
3. Hægt midten af den nye nylon snor ind i indsnittet (5) i midten af spolen mellem de 2 kanaler.
Den ene side af snoren bør være cirka 80 mm (3") længere end den anden side. Vikl begge ender tæt omkring spolen i pilemærkets retning på spolen.



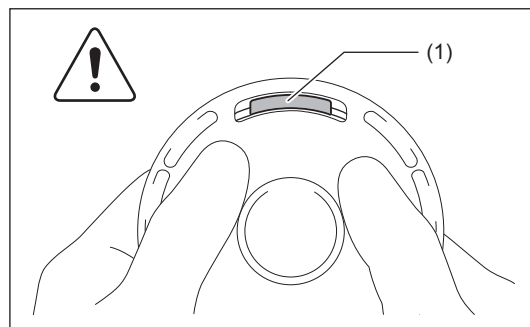
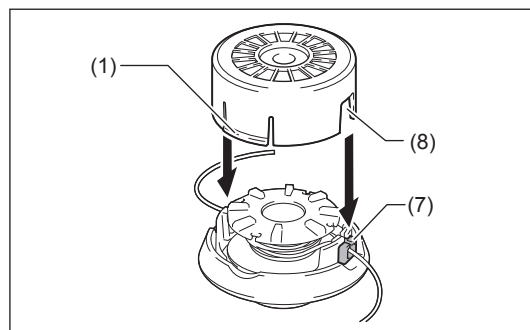
4. Vikl snorene helt op på nær cirka 100 mm (4"), og lad midlertidigt enderne være hægtet gennem indsnittene (6).



5. Monter spolen i dækstykket så de fastholdende indsnit møder øjerne (7). Hægt enderne af snoren af fra deres midlertidige placering og før snorene gennem øjerne.



6. Ret de firkantede åbninger (8) i huset ind med øjerne (7). Tryk derefter huset ordentligt ind på dækstykket, så det sidder fast. Sørg for, at klemmemekanismerne (1) hægtes ordentligt fast i dækstykket.



VEDLIGEHOVELSESINSTRUKTIONER

FORSIGTIG: Inden du udfører noget arbejde på maskinen, skal du altid stoppe motoren og fjerne tændrørshætten fra tændrøret (se "kontrol af tændrøret").

Bær altid beskyttelseshandsker!

Udfør følgende vedligeholdelse med jævne mellemrum for at sikre en lang brugslevetid og for at undgå skader på maskinen.

Dagligt eftersyn og vedligeholdelse

- Kontroller inden brug maskinen for løse skruer eller manglende dele. Vær især opmærksom på tilspændingen af metalklingen eller nylontrimmerhovedet.
- Inden anvendelse, kontroller altid for tilstopning af luftafkølingskanalen og cylinderribberne. Rengør dem om nødvendigt.
- Udfør dagligt følgende vedligeholdelse efter brug:
 - Rengør maskinen udvendigt og undersøg for skader.
 - Rens luftfilteret. Rens filteret flere gange om dagen, når du arbejder i ekstremt støvede omgivelser.
 - Kontroller klingen og nylontrimmerhovedet for skader og sørg for, at den/det er ordentligt monteret.
 - Kontroller, om der er tilstrækkelig forskel mellem tomgang- og arbejdshastigheder for at sikre, at skæreværktøjet ikke bevæger sig, når motoren er i tomgang (hvis det er nødvendigt, skal du reducere tomgangshastigheden). Hvis maskinen stadig kører under tomgang, skal du konsultere den nærmeste godkendte serviceagent.
- Kontroller funktionen af I-O kontakten, låsehåndtaget, gashåndtaget og låseknappen.

RENGØRING AF LUFTFILTER



ADVARSEL: Sluk for motoren, hold maskinen væk fra åben ild, samt undlad at ryge.

Interval for rengøring og eftersyn: Dagligt (hver 10. driftstime)

- Drej chokerhåndtaget (4) helt over til den lukkede side og hold karburatoren fri fra støv og snavs.

Fjernelse af luftfilterdækslet

- Fjern skruen (1) og fjern luftfilterdækslet (2).

Rengøring af element

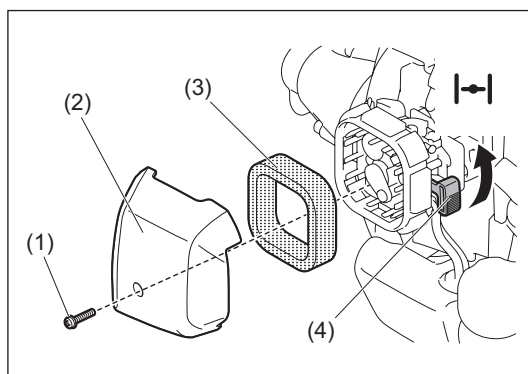
- Fjern elementet (3) og bank på dem for at fjerne snavs.
- Når det er meget beskidt:
Fjern svampestykket, vask det i rengøringsmiddel fortyndet med vand og tør det fuldstændigt.
- Efter elementet er tørt, skal det dyppes i 2-takts motorolie, hvorefter det skal vrides for at fjerne overskydende olie.
- Inden montering af svampestykket, skal du sørge for at olien er påført jævnt på elementet. Overskydende olie kan medføre startbesvær.
- Tør derefter olie omkring luftfilterdækslet af med en klud.

Montering af luftfilterdækslet

- Efter rengøring sættes svampestykket tilbage på plads. Sæt luftfilterdækslet tilbage på plads. Fastgør det derefter med skruen.

BEMÆRK:

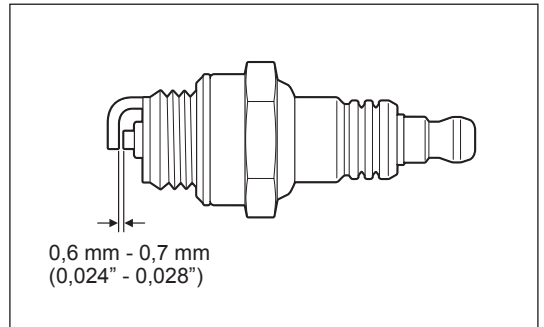
- Hvis der sidder meget støv eller snavs i luftfilteret, skal du rense det hver dag. Beskidte elementer reducerer motorydelsen og besværliggør start af motoren.
- Fjern olie på elementerne. Hvis maskinen fortsat anvendes, uden at elementerne rengøres for olie, kan olien i luftfilteret muligvis falde ud og resultere i forurening af miljøet.
- Placer ikke elementerne på jorden eller på et beskidt sted. Ellers kan der sætte sig skidt eller snavs på dem, hvilket kan beskadige motoren.
- Brug aldrig brændstof til rensning af elementerne. Brændstoffet kan ødelægge dem.



KONTROL AF TÆNDRØRET

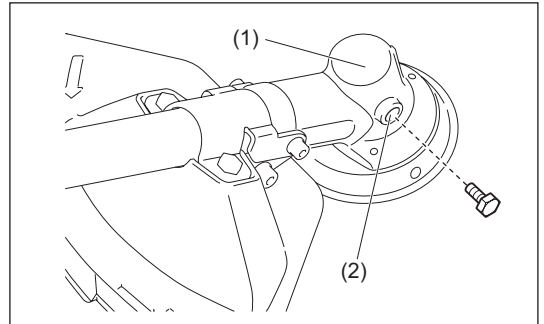
- Anvend kun den medfølgende skiftesnøgle til at afmontere og montere tændrøret med.
 - Afstanden mellem tændrørets to elektroder bør være på 0,6 - 0,7 mm (0,024" - 0,028"). Hvis afstanden er for stor eller for lille, skal du justere den. Hvis tændrøret er sodet til eller beskidt, skal du rense det ordentligt og eller udskifte det.
- Placer tændrørshætten som illustreret efter kontrol.

FORSIGTIG: Rør aldrig ved tændrørshætten, mens motoren kører (der er risiko for elektrisk stød med høj spænding).



TILFØRING AF SMØREMIDDEL TIL GEARKASSEN

- Tilføj smøremiddel (Shell Alvania 2 eller tilsvarende) til gearkassen (1) gennem smørehullet (2) hver 30. time. (Ægte DOLMAR-smøremiddel kan anskaffes fra din DOLMAR-forhandler.)



RENGØRING AF BRÆNDSTOFFILTER

ADVARSEL: BRANDFARLIGE STOFFER ER STRENGT FORBUDT

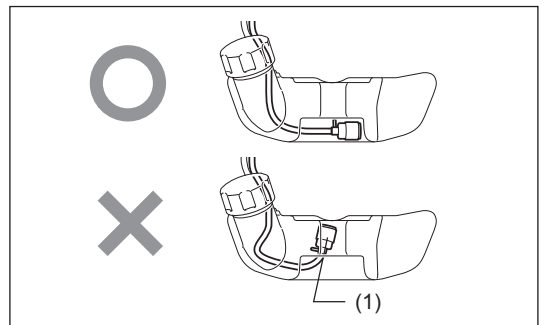
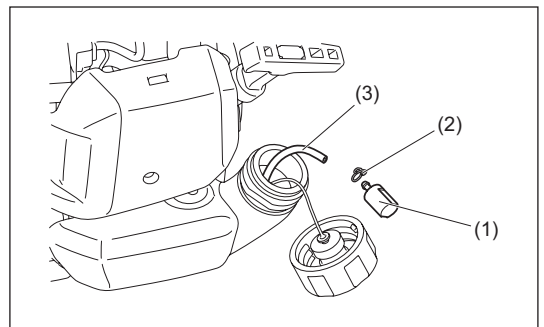
Interval for eftersyn: Hver måned (hver 50. driftstime)

Sugehoved i brændstoftanken

Kontroller jævnligt brændstoffilteret (1). For at kontrollere brændstoffilteret skal du følge trinene nedenfor:

1. Tag brændstoftankdækslet af og tøm tanken for brændstof. Kontroller tanken indvendigt for fremmedlegemer. Fjern dem, hvis der er nogen.
2. Brug en trådkrog til at trække sugehovedet ud gennem tankåbningen.
3. Hvis brændstoffilteret er lettere tilstoppet, skal det rengøres. Rengør det ved at ryste det forsigtigt og banke det let i brændstof. For at undgå beskadigelse skal du ikke klemme eller gnide det. Det brændstof, der anvendes til rengøring, skal bortskaffes i henhold til den metode, som er anført i bestemmelserne for dit land. Hvis brændstoffilteret bliver hårdt eller meget tilstoppet, skal det udskiftes.
4. Efter kontrol, rengøring eller udskiftning skal du sætte brændstoffilteret ind i brændstofslangen (3) og fastgøre det med spændebåndet (2). Tryk brændstoffilteret helt ind i bunden af brændstoftanken.

Et tilstoppet eller beskadiget brændstoffilter kan medføre utilstrækkelig brændstofforsyning og reducere motorkraften. Udskift brændstoffilteret mindst én gang i kvartalet for at sikre tilfredsstillende brændstofforsyning til karburatoren.



UDSKIFTNING AF BRÆNDSTOFSLANGE

FORSIGTIG: BRANDFARLIGE STOFFER ER STRENGT FORBUDT

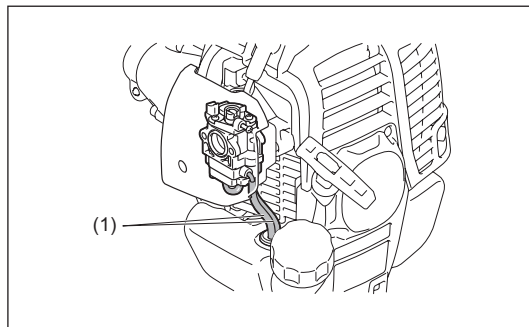
Interval for rengøring og eftersyn: Dagligt (hver 10. driftstime)

Udskiftning: Årligt (hver 200. driftstime)

Udskift brændstofslangen (1) hvert år uanset antallet af driftstimer.

Brændstoflækage kan føre til brand.

Hvis der opdages utætheder under inspektion, skal brændstofslangen straks udskiftes.



EFTERSYN AF BOLTE, MØTRIKKER OG SKRUER

- Efterspænd løse bolte, møtrikker osv.
- Kontroller, at brændstofdækslet og oliedækslet er strammet ordentligt til. Kontroller for brændstof- og olielækage.
- Udskift beskadigede dele med nye for sikker betjening.

RENGØRING AF DELE

- Sørg for altid at holde motoren ren ved at tørre den af med en klud.
- Hold altid cylinderribberne fri for støv og snavs. Støv eller snavs der sidder fast på ribberne kan forårsage stempelstop.

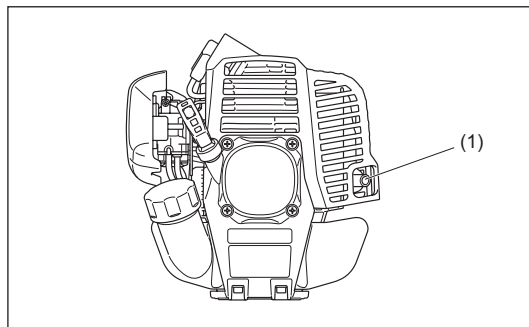
UDSKIFTNING AF TÆTNINGER OG PAKNINGER

Udskift tætninger og pakninger hvis motoren skilles ad.

Allt vedligeholdelses- eller justeringsarbejde, der ikke er inkluderet og beskrevet i denne brugsanvisning, må kun udføres af autoriserede serviceagenter.

RENGØRING AF LYDDÆMPERUDGANGEN

- Kontroller lydæmperudgangen (1) regelmæssigt.
- Hvis den er tilstoppet af sodpartikler, skræbes det forsigtigt af med et passende redskab.



OPBEVARING

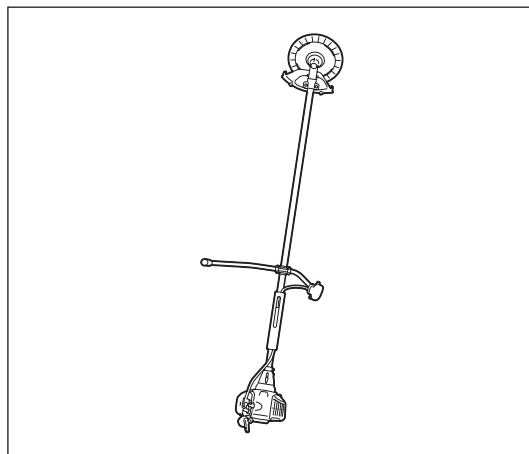


ADVARSEL: Motoren er stadig varm lige efter standsning af motoren. Giv motoren tilstrækkelig tid til at køle af efter den er standset, når du tømmer brændstoffet af. Ellers kan det medføre hudforbrændinger og/eller brand.



FARE: Når maskinen ikke skal anvendes i længere tid, skal du tømme al brændstoffet ud af brændstoftanken og karburatoren, og opbevare den på et tørt og rent sted.

- Tøm brændstoftanken og karburatoren for brændstof i henhold til den følgende procedure:
 - 1) Tag brændstoftankdækslet af og tøm alt brændstoffet ud. Hvis der er fremmedlegemer/snavs tilbage i brændstoftanken, skal det fjernes fuldstændigt.
 - 2) Træk brændstoffilteret ud gennem påfyldningsåbningen med en metaltråd.
 - 3) Tryk på tipperen indtil brændstoffet er tømt ud fra den, og udtøm derefter det brændstof der kom ind i brændstoftanken.
 - 4) Placer filteret tilbage i brændstoftanken og stram brændstoftankdækslet ordentligt til.
 - 5) Lad derefter motoren køre indtil den stopper.
- Fjern tændrøret og dryp adskillige dråber motorolie ned gennem tændrørshullet.
- Træk forsigtigt i starthåndtaget så motorolien spredes ud i motoren, og sæt tændrøret på.
- Monter afskærmningen til metalklingen.
- Maskinen bør generelt opbevares i vandret position. Hvis det ikke er muligt, skal maskinen placeres med motorenheden under skæreværktøjet. Ellers kan der lække olie indefra.
- Opbevar det udtømte brændstof i særlig beholder på et sted i skygge med god ventilation.



Driftstid Del		Inden brug	Efter påfyldning af brændstof	Dagligt (10 t)	30 t	50 t	200 t eller 1 år, hvad der end kommer først	Inden opbevaring	Se side
Fastgørende dele (bolte, møtrikker)	Efterse	○							167
Brændstoftank	Rengør	○							—
	Tøm for brændstof							○*2	167
Gashåndtag	Kontroller funktion		○						—
Stop-kontakt	Kontroller funktion		○						165
Skæreværktøj	Efterse	○		○					157
Tomgangshastighed	Efterse/juster			○					162
Luffilter	Rengør			○					165
Tændrør	Efterse			○					166
Luftafkølingskanal og cylinderribber	Rengør/efterse			○					167
Brændstofslange	Efterse			○					167
	Udskift						◎*1		—
Gearkasseolie	Påfyld				○				166
Lyddæmper	Efterse/rengør åbningen				○				—
Brændstoffilter	Rengør/udskift					○			166
Karburator	Tøm for brændstof							○*2	167

*1 Ved 200 driftstimers-eftersynet skal du henvende dig til en godkendt serviceagent eller en maskinforretning.

*2 Efter tømning af brændstoftanken skal du lade motoren fortsætte med at køre og tømme karburatoren for brændstof.

FEJLFINDING

Kontroller selv for fejl, inden du anmoder om reparation. Hvis du finder noget unormalt, skal du kontrollere maskinen i henhold til beskrivelsen i denne brugsanvisning. Undlad at pille ved eller afmontere dele i strid med beskrivelsen. Kontakt et godkendt servicecenter eller en lokal forhandler angående reparationer.

Problem	Sandsynlig årsag (funktionsfejl)	Afhjælpning
Motoren starter ikke.	I-O kontakt indstillet til STOP.	Indstil I-O kontakten på START.
	Tipperen er ikke blevet anvendt.	Tryk 7 til 10 gange.
	Langsom træk hastighed ved træk i startersnoren.	Træk hårdt til.
	Mangel på brændstof.	Påfyld brændstof.
	Forkert chokerposition.	Indstil på "LUKKET" (koldstart). Indstil på "ÅBEN" (varmstart).
	Tilstoppet brændstoffilter.	Udskift.
	Bøjet eller blokeret brændstofslange.	Ret brændstofslangen ud eller udskift den.
	Gammelt brændstof.	Gammelt brændstof gør det svært at starte. Udskift med nyt brændstof. (Anbefalet udskiftning: 1 måned)
	For stort brændstofindtag.	Sæt gashåndtaget fra medium hastighed til høj hastighed, og træk i starthåndtaget, indtil motoren starter. Skæreværktøjet begynder at rotere, så snart motoren starter. Vær meget opmærksom på skæreværktøjet. Hvis motoren stadig ikke starter, skal du fjerne tændrørshætten, tørre elektroden af, og samle dem som de var. Start derefter som anvist.
	Aftaget tændrørshætte.	Monter ordentligt.
	Snavset tændrør.	Rengør.
	Unormal tændrørsafstand.	Juster afstanden.
	Uregelmæssighed ved tændrør.	Udskift.
	Unormal karburator.	Anmod om eftersyn og vedligeholdelse.
	Der kan ikke trækkes i startersnoren, eller der føles ikke nogen trykspænding.	Anmod om eftersyn og vedligeholdelse.
Unormalt driv/el-system. (I-O kontaktfejl, ledningsfejl, konektorfejl osv.)	Anmod om eftersyn og vedligeholdelse.	
Motoren stopper hurtigt. Motorhastigheden stiger ikke.	Utilstrækkelig opvarmning.	Foretag opvarmning.
	Chokerhåndtaget er sat på "LUKKET"-positionen, selvom motoren er varmet op.	Sæt den til "ÅBEN".
	Lav tomgangshastighed.	Juster tomgangshastigheden.
	Tilstoppet brændstoffilter.	Udskift.
	Snavset eller tilstoppet luftfilter.	Rengør eller udskift.
	Unormal karburator.	Anmod om eftersyn og vedligeholdelse.
	Lyddæmperfejl. (tilstoppet osv.)	Anmod om eftersyn og vedligeholdelse.
	Unormalt driv/el-system.	Anmod om eftersyn og vedligeholdelse.
Metalklingen roterer ikke.	Metalklingens tilspændingsmøtrik er løsnet.	Stram ordentligt til.
	Der er fanget kviste i metalklingen eller skærmen til forhindring af spredning.	Fjern fremmedlegemer.
	Unormalt drivsystem.	Anmod om eftersyn og vedligeholdelse.
Maskinen vibrerer unormalt.	Brækket, bøjet eller udslidt metalklinge.	Udskift metalklinge.
	Metalklingens tilspændingsmøtrik er løsnet.	Stram ordentligt til.
	Konveks del af metalklinge og metalklingebeslag flyttet.	Monter ordentligt.
	Unormalt drivsystem.	Anmod om eftersyn og vedligeholdelse.
Metalklingen stopper ikke med det samme.	Høj tomgangshastighed.	Juster tomgangshastigheden.
	Afbrudt gashåndtagsledning.	Monter ordentligt.
	Unormalt drivsystem.	Anmod om eftersyn og vedligeholdelse.
Motoren stopper ikke.	Løsrevet konektor.	Monter ordentligt.
	Unormalt el-system.	Anmod om eftersyn og vedligeholdelse.

- Når motoren ikke starter efter foretagelse af opvarmning:
Hvis der ikke er fundet noget unormalt blandt de kontrollerede punkter, skal du åbne gashåndtaget cirka 1/3 og starte motoren.
- Hvis der er nogen andre uregelmæssigheder end dette diagram, skal du kontakte et godkendt servicecenter.

Σας ευχαριστούμε πολύ που αγοράσατε αυτή τη μηχανοκίνητη συσκευή εξωτερικού χώρου της DOLMAR. Βρισκόμαστε στην ευχάριστη θέση να σας συστήσουμε αυτό το προϊόν της DOLMAR, το οποίο είναι το αποτέλεσμα ενός μακρού προγράμματος ανάπτυξης και πολλών χρόνων γνώσεων και εμπειρίας. Παρακαλώ διαβάστε αυτό το φυλλάδιο, το οποίο αναφέρεται λεπτομερώς στα διάφορα σημεία που θα επιδείξουν την εξαιρετική του απόδοση. Αυτό θα σας βοηθήσει να αποκτήσετε τα καλύτερα δυνατά αποτελέσματα από αυτό το προϊόν της DOLMAR.



Πίνακας περιεχομένων

Σελίδα

Σύμβολα	170
Οδηγίες ασφαλείας	171
Τεχνικά δεδομένα	175
Καθορισμός εξαρτημάτων	176
Στερέωση του χερουλιού	177
Στερέωση του προστατευτικού	178
Στερέωση του κοπτικού εργαλείου	179
Καύσιμα/ανεφοδιασμός	180
Σωστός χειρισμός του μηχανήματος	181
Σημεία χειρισμού και τρόπος σταματήματος	182
Ακόνισμα του κοπτικού εργαλείου	183
Οδηγίες σέρβις	186
Αποθήκευση	188
Επίλυση προβλημάτων	190

ΣΥΜΒΟΛΑ

Χρειάζεται να προσέξετε τα παρακάτω σύμβολα όταν διαβάζετε το εγχειρίδιο οδηγιών.

	Διαβάστε το εγχειρίδιο οδηγιών και ακολουθήστε τις προειδοποιήσεις και τα μέτρα ασφαλείας!		Κρατήστε μακριά από την περιοχή εργασίας όλα τα άτομα και τα ζώα!
	Δώστε ιδιαίτερη φροντίδα και προσοχή!		Φοράτε κράνος και προστατευτικά για τα μάτια και τα αφτιά!
	Απαγορεύεται!		Ανώτερη επιτρεπτή ταχύτητα του εργαλείου
	Διατηρήστε μια απόσταση!		Μείγμα καυσίμου και λαδιού
	Κίνδυνος εκτίναξης αντικειμένων!		Κινητήρας-χειροκίνητη εκκίνηση
	Οπισθολάκτισμα!		Διακοπή έκτακτης ανάγκης
	Απαγορεύεται το κάπνισμα!		Πρώτες βοήθειες
	Απαγορεύονται οι γυμνές φλόγες!		ΕΝΕΡΓΟΠΟΙΗΣΗ/ΕΚΚΙΝΗΣΗ
	Πρέπει να φοράτε προστατευτικά γάντια!		ΑΠΕΝΕΡΓΟΠΟΙΗΣΗ/ΣΤΑΜΑΤΗΜΑ
	Να φοράτε ανθεκτικές μπότες με αντιολισθητικές σόλες. Συνιστανται μπότες ασφαλείας με ενίσχυση στα άκρα των δακτύλων!		ΘΕΣΗ ΚΛΕΙΔΩΜΑΤΟΣ ΤΟΥ ΓΚΑΖΙΟΥ

Γενικές οδηγίες

- Διαβάστε αυτό το εγχειρίδιο οδηγιών για να εξοικειωθείτε με τον χειρισμό της συσκευής. Οι χρήστες οι οποίοι δεν διαθέτουν επαρκή ενημέρωση θα θέσουν σε κίνδυνο τους εαυτούς τους και τους άλλους λόγω του ακατάλληλου χειρισμού.
- Συνιστάται να δανείζετε τη συσκευή μόνο στα άτομα που έχουν αποδεδειγμένη εμπειρία στο χειρισμό της. Πάντοτε να παραδίδετε το εγχειρίδιο οδηγιών.
- Οι χρήστες που το χρησιμοποιούν για πρώτη φορά θα πρέπει να ρωτούν τον μεταπωλητή τους για τις βασικές οδηγίες έτσι ώστε να εξοικειωθούν με το χειρισμό των θαμνοκοπτικών.
- Στα παιδιά και στα νεαρά άτομα κάτω των 18 ετών δεν θα πρέπει να τους επιτρέπεται η χρήση της συσκευής. Τα άτομα με ηλικία πάνω από 16 ετών θα μπορούσαν να χρησιμοποιήσουν την συσκευή για εκπαιδευτικούς σκοπούς, κάτω από την επίβλεψη ενός έμπειρου εκπαιδευτή.
- Χρησιμοποιήστε με τη μεγαλύτερη δυνατή φροντίδα και προσοχή.
- Χειριστείτε μόνο όταν βρίσκεστε σε καλή φυσική κατάσταση. Εκτελέστε όλες τις εργασίες με ηρεμία και προσοχή. Ο χρήστης θεωρείται υπεύθυνος για τους άλλους.
- Ποτέ να μην χρησιμοποιήσετε αυτή τη συσκευή μετά από την κατανάλωση αλκοόλ ή φαρμάκων, ή εάν αισθάνεστε κουρασμένοι ή είστε ασθενείς.
- Η εθνική νομοθεσία μπορεί να περιορίζει τη χρήση του μηχανήματος.

Προοριζόμενη χρήση του μηχανήματος

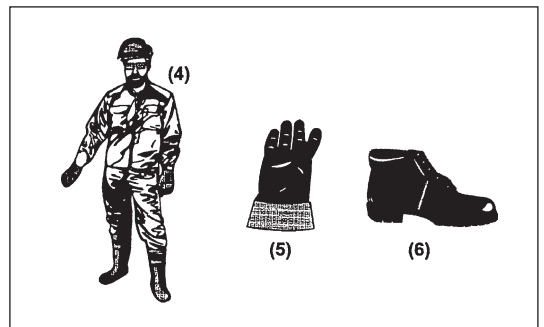
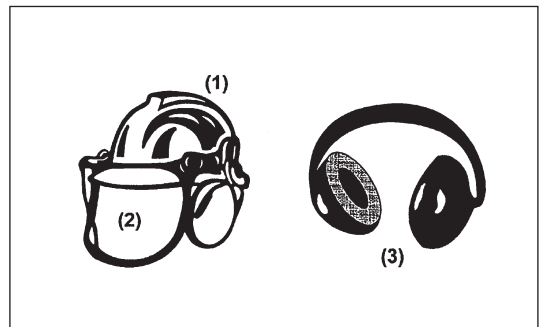
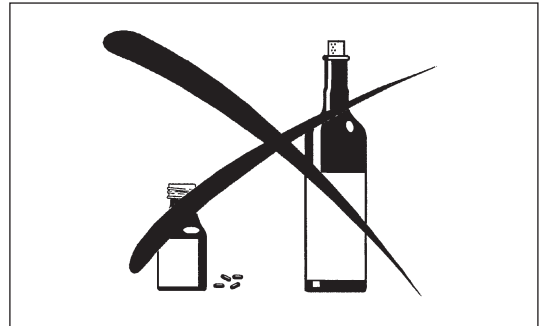
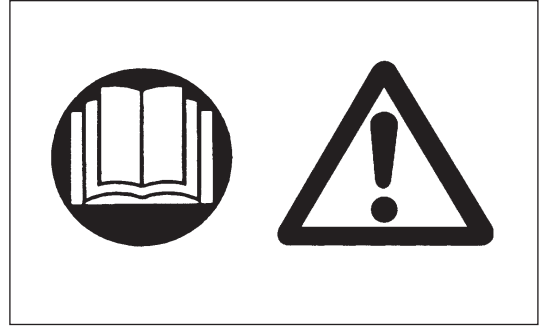
- Η συσκευή αυτή προορίζεται μόνο για την κοπή γρασιδιού, χόρτων, θάμνων και ελαφριάς βλάστησης. Δεν πρέπει να χρησιμοποιηθεί για άλλους σκοπούς όπως κοπή άκρων ή φρακτών επειδή μπορεί να προκαλέσει τραυματισμό.

Προσωπικός προστατευτικός εξοπλισμός

- Ο ρουχισμός που φοράτε θα πρέπει να είναι λειτουργικός και κατάλληλος, δηλαδή να είναι εφαρμοστός αλλά να μην σας παρεμποδίζει. Μην φοράτε κοσμήματα ή ρούχα τα οποία μπορούν να μπλεχτούν μέσα στους θάμνους ή στους βάλτους.
- Για την προστασία του τραυματισμού της κεφαλής, των ματιών ή των ποδιών καθώς επίσης και την προστασία της ακοής κατά την λειτουργία, θα πρέπει να χρησιμοποιηθεί ο παρακάτω προστατευτικός εξοπλισμός και ο προστατευτικός ρουχισμός κατά τον χειρισμό της συσκευής.
- Πάντοτε να φοράτε κράνος όπου υπάρχει ο κίνδυνος της πτώσης αντικειμένων. Το κράνος (1) θα πρέπει να ελέγχεται για την ύπαρξη ζημιών κατά τακτικά χρονικά διαστήματα και θα πρέπει να αντικατασταθεί τουλάχιστον μετά από 5 χρόνια. Χρησιμοποιείτε μόνο εγκεκριμένα προστατευτικά κράνη.
- Η προσωπίδα (2) του κράνου (ή εναλλακτικά προστατευτικά γυαλιά) προστατεύει το πρόσωπο από τα θραύσματα και τις πέτρες που ίπτανται. Κατά τον χειρισμό, πάντοτε να φοράτε προστατευτικά γυαλιά ή προσωπίδα για την αποφυγή του τραυματισμού των ματιών.
- Φοράτε τον απαραίτητο εξοπλισμό προστασίας έναντι στο θόρυβο για την αποφυγή πρόκλησης βλάβης στην ακοή (προστατευτικά επικαλύμματα αυτιών (3), ωτοασπίδες κτλ.).
- Η φόρμα εργασίας (4) προστατεύει από τις πέτρες και τα θραύσματα που ίπτανται. Σας συστήνουμε ανεπιφύλακτα την χρήση της φόρμας εργασίας από το χρήστη.
- Τα γάντια (5) αποτελούν μέρος του συνιστώμενου εξοπλισμού και πρέπει πάντοτε να φοριούνται κατά το χειρισμό.
- Κατά τη χρήση της συσκευής, πάντοτε να φοράτε ανθεκτικά παπούτσια (6) με αντιολισθητικές σόλες. Αυτά προστατεύουν έναντι των τραυματισμών και διασφαλίζουν το καλό πάτημα.

Εκκίνηση του θαμνοκοπτικού

- Φροντίστε να μην υπάρχουν παιδιά ή άλλα άτομα μέσα σε μια απόσταση εργασίας 15 μέτρων (50 πόδια), επίσης δώστε προσοχή στα οποιαδήποτε ζώα μέσα στην περιοχή εργασίας.
- Πριν από τη χρήση ελέγχετε πάντοτε ότι η συσκευή είναι ασφαλής για εργασία: Ελέγξτε την ασφάλεια του κοπτικού εργαλείου, το μοχλό του γκαζιού για την ευκολία δράσης και ελέγξτε την κατάλληλη λειτουργικότητα της ασφάλειας του μοχλού του γκαζιού.
- Το κοπτικό εργαλείο δεν πρέπει να περιστρέφεται στο ρελαντί. Εάν έχετε αμφιβολία απευθυνθείτε στον μεταπωλητή σας για τη ρύθμιση. Ελέγξτε τα χερούλια ώστε να είναι καθαρά και ξηρά και δοκιμάστε τη λειτουργία του διακόπτη εκκίνησης/σταματήματος.

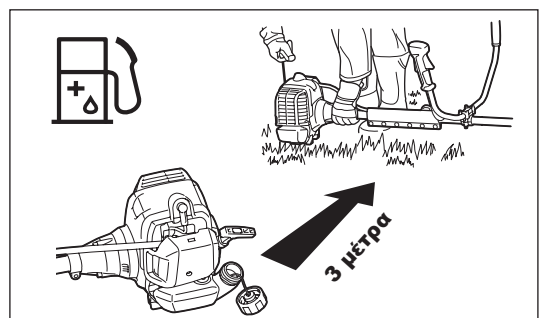
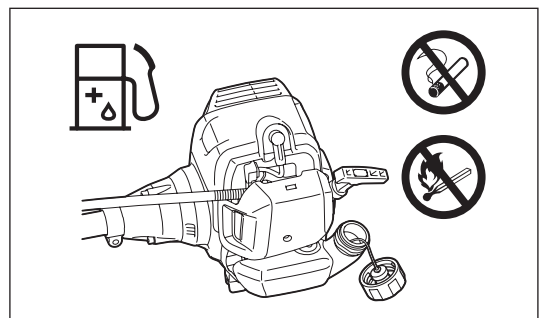
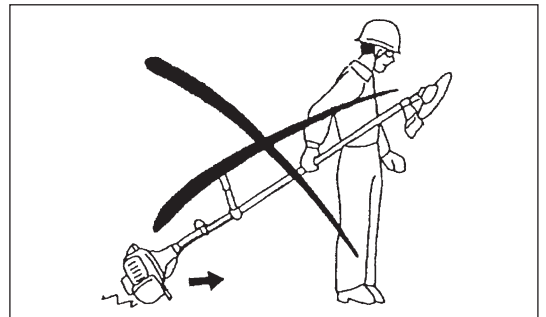
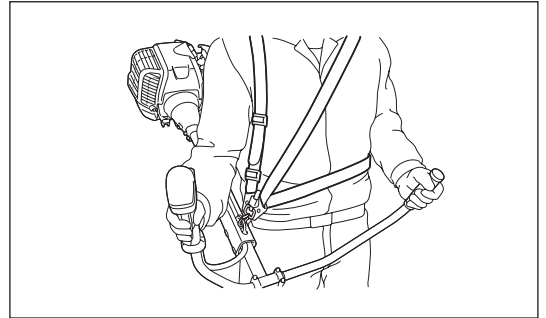
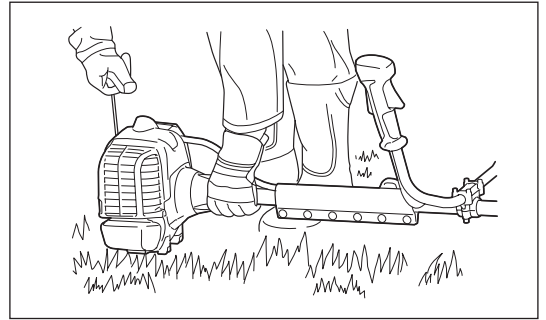


Ξεκινήστε το θαμνοκοπτικό μόνο σύμφωνα με τις οδηγίες.

- Μην χρησιμοποιήσετε οποιοσδήποτε άλλες μεθόδους για να ξεκινήσετε τον κινητήρα!
- Χρησιμοποιήστε το θαμνοκοπτικό και τα εργαλεία μόνο για τις καθορισμένες εφαρμογές.
- Ξεκινήστε τον κινητήρα μόνο αφότου ολοκληρωθεί πλήρως η συναρμολόγηση. Η λειτουργία της συσκευής επιτρέπεται μόνο αφότου συνδεθούν όλα τα κατάλληλα εξαρτήματα!
- Πριν το ξεκίνημα, βεβαιωθείτε ότι το κοπτικό εργαλείο δεν βρίσκεται σε επαφή με σκληρά αντικείμενα όπως κλαδιά, πέτρες κτλ επειδή το κοπτικό εργαλείο θα περιστραφεί κατά την εκκίνηση.
- Ο κινητήρας σβήνει αμέσως στην περίπτωση που συμβούν μηχανικά προβλήματα.
- Εάν το κοπτικό εργαλείο χτυπήσει πέτρες ή άλλα σκληρά αντικείμενα, αμέσως κλείστε τον κινητήρα και επιθεωρήστε το κοπτικό εργαλείο.
- Επιθεωρείτε το κοπτικό εργαλείο για ζημιά ανά τακτά και σύντομα διαστήματα (διάγνωση λεπτών ρωγμών χρησιμοποιώντας το τεστ ήχου που παράγεται από την κρούση).
- Εάν η συσκευή χτυπήσει δυνατά κατά την πτώση, ελέγξτε την κατάσταση πριν συνεχίσετε την εργασία. Ελέγξτε το σύστημα καυσίμου για ύπαρξη διαρροής καυσίμου αλλά και τα χειριστήρια και τις διατάξεις ασφαλείας για ύπαρξη δυσλειτουργίας. Εάν υπάρχει οποιαδήποτε ζημιά ή αν έχετε αμφιβολίες, επικοινωνήστε με το δικό μας εξουσιοδοτημένο κέντρο εξυπηρέτησης για επιθεώρηση και επισκευή.
- Να χειρίζεστε τη συσκευή μόνο έχοντας συνδεδεμένο τον ιμάντα ώμου, ο οποίος θα πρέπει να προσαρμόζεται κατάλληλα πριν θέσετε σε λειτουργία το θαμνοκοπτικό. Είναι σημαντικό να προσαρμόζετε τον ιμάντα ώμου ανάλογα με το σωματικό μέγεθος του χρήστη για να μην είναι κουραστική η χρήση. Ποτέ να μην κρατάτε τον κόφτη με το ένα χέρι κατά την χρήση.
- Κατά την χρήση, πάντοτε να κρατάτε το θαμνοκοπτικό με τα δυο σας χέρια. Πάντοτε να έχετε ένα ασφαλές πάτημα.
- Να χειρίζεστε τη συσκευή με τέτοιο τρόπο ώστε να αποφεύγετε την εισπνοή των καυσαερίων. Ποτέ να μην λειτουργήσετε τον κινητήρα σε κλειστά δωμάτια (υπάρχει κίνδυνος δηλητηρίασης από αέρια). Το μονοξείδιο του άνθρακα είναι ένα άσπρο αέριο.
- Σβήνετε τον κινητήρα όταν σταματάτε κατά την ανάπαυση και όταν παραμένει η συσκευή χωρίς επίβλεψη, και τοποθετήστε τη σε ένα ασφαλές χώρο για την αποφυγή πρόκλησης κινδύνου σε άλλους ή ζημιάς στο μηχανήμα.
- Ποτέ να μην τοποθετείτε το θαμνοκοπτικό όταν είναι ζεστό πάνω σε ξερά χόρτα ή πάνω σε άλλα εύφλεκτα υλικά.
- Πάντοτε να εγκαθιστάτε τον εγκεκριμένο προφυλακτήρα του κοπτικού εργαλείου πάνω στη συσκευή πριν την εκκίνηση του κινητήρα. Διαφορετικά η επαφή με το κοπτικό εργαλείο μπορεί να προκαλέσει σοβαρό τραυματισμό.
- Όλα τα προστατευτικά συγκροτήματα και προφυλακτήρες που παρέχονται με το μηχανήμα πρέπει να χρησιμοποιούνται κατά τη λειτουργία.
- Ποτέ να μην χειρίζεστε τον κινητήρα με ένα σιγαστήρα της εξάτμισης που έχει πάθει ζημιά.
- Κλείστε τον κινητήρα κατά την μεταφορά.
- Κατά την μεταφορά της συσκευής, πάντοτε να τοποθετείτε το κάλυμμα στη μεταλλική λάμα.
- Διασφαλίστε την ασφαλή τοποθέτηση της συσκευής κατά την μεταφορά με αυτοκίνητο για την αποφυγή της διαρροής καυσίμου.
- Κατά την μεταφορά, διασφαλίστε ότι το ρεζερβουάρ καυσίμου είναι εντελώς άδειο.
- Κατά την εκφόρτωση της συσκευής από την καρότσα, ποτέ να μην ρίξετε κάτω τον κινητήρα στο έδαφος επειδή αν το κάνετε αυτό μπορεί να προκληθεί σοβαρή βλάβη στο ρεζερβουάρ καυσίμου.
- Εκτός από την περίπτωση της έκτακτης ανάγκης, ποτέ να μην ρίξετε ή να πειράξετε τη συσκευή στο έδαφος επειδή αν το κάνετε αυτό μπορεί να προκληθεί σοβαρή ζημιά στη συσκευή.
- Θυμηθείτε να σηκώνετε ολόκληρο τον κινητήρα από το έδαφος όταν μετακινείτε τη συσκευή. Το σύρσιμο του ρεζερβουάρ καυσίμου είναι πολύ επικίνδυνο και θα προκαλέσει ζημιά και διαρροή καυσίμου, προκαλώντας πιθανόν την πυρκαγιά.
- Αποφύγετε την επαφή με τον σιγαστήρα εξάτμισης. Γίνεται πολύ καυτή κατά τη λειτουργία.
- Μη θέτετε σε λειτουργία τον κινητήρα σε εκρηκτικές ατμόσφαιρες, όπως παρουσία εύφλεκτων υγρών, αερίων ή σκόνης. Ο κινητήρας δημιουργεί σπινθήρες που μπορεί να προκαλέσουν ανάφλεξη της σκόνης ή των ατμών.

Ανεφοδιασμός

- Κατά τον ανεφοδιασμό καυσίμου σβήστε τον κινητήρα, να είστε μακριά από τις γυμνές φλόγες και να μην καπνίζετε.
- Αποφύγετε την επαφή του δέρματος με προϊόντα ορυκτών λαδιών. Μην εισπνέετε τον ατμό του καυσίμου. Πάντοτε να φοράτε προστατευτικά γάντια κατά τον ανεφοδιασμό καυσίμου. Αλλάζετε και καθαρίζετε τον προστατευτικό ρουχισμό σε τακτικά διαστήματα.
- Δώστε προσοχή ώστε να μην ρίξετε κάτω καύσιμο ή λάδια για την αποφυγή της ρύπανσης του εδάφους (προστασία του περιβάλλοντος). Καθαρίστε το θαμνοκοπτικό αμέσως αν πέσει πάνω του καύσιμο.
- Αποφύγετε την οποιαδήποτε επαφή του καυσίμου με τα ρούχα σας. Αλλάξτε το ρουχισμό σας αμέσως μετά την πτώση του καυσίμου επάνω του (για την αποφυγή της πρόκλησης φωτιάς στα ρούχα σας).
- Επιθεωρήστε την τάπα του καυσίμου ανά τακτά διαστήματα για να διασφαλίσετε ότι μπορεί να στερεωθεί σταθερά και ότι δεν παρουσιάζει διαρροή.
- Προσεκτικά σφίξτε την τάπα του ρεζερβουάρ καυσίμου. Αλλάξτε θέση για την εκκίνηση του κινητήρα (τουλάχιστον 3 μέτρα μακριά από τον χώρο του ανεφοδιασμού).
- Ποτέ να μην ανεφοδιάζετε σε κλειστά δωμάτια. Οι ατμοί του καυσίμου συσσωρεύονται στο επίπεδο του εδάφους (κίνδυνος εκρήξεων).
- Να μεταφέρετε και να αποθηκεύετε το καύσιμο σε κατάλληλα δοχεία. Φροντίστε ώστε το αποθηκευμένο καύσιμο να μην είναι προσβάσιμο στα παιδιά.



Μέθοδος Λειτουργίας

- Χρησιμοποιήστε μόνο κάτω από καλό φωτισμό και ορατότητα. Κατά τη διάρκεια της εποχής του χειμώνα δώστε προσοχή στις περιοχές που είναι υγρές και γλιστρούν, στον πάγο και στο χιόνι (κίνδυνος ολισθηρότητας). Πάντοτε να έχετε ένα ασφαλές πάτημα.
- Ποτέ μην κόβετε επάνω από το ύψος της μέσης σας.
- Ποτέ να μην στέκεστε πάνω σε μια σκάλα.
- Ποτέ να μην σκαρφαλώνετε σε δέντρα για να εκτελέσετε εργασίες κοπής.
- Ποτέ να μην εργάζεστε πάνω σε ασταθείς επιφάνειες.
- Αφαιρέστε την άμμο, τις πέτρες, τα καρφιά κτλ που βρίσκονται μέσα στο εύρος της περιοχής εργασίας.
Τα ξένα στοιχεία μπορεί να προκαλέσουν ζημιά στο κοπτικό εργαλείο και να δημιουργήσουν επικίνδυνα οπισθολακτίσματα.
- Πριν το ξεκίνημα της κοπής, το κοπτικό εργαλείο θα πρέπει να έχει αποκτήσει την πλήρη ταχύτητα λειτουργίας.
- Κατά τη χρήση μεταλλικών λαμών, ταλαντεύστε ομοιόμορφα το εργαλείο κάνοντας μισό κύκλο από δεξιά προς τα αριστερά, σαν να χρησιμοποιείτε ένα δρεπάνι. Αν γρασιδί ή κλαδιά μπλεχτούν μεταξύ του κοπτικού εργαλείου και του προστατευτικού, να σταματάτε πάντοτε τον κινητήρα πριν από τον καθαρισμό. Διαφορετικά η ακούσια περιστροφή της λάμας μπορεί να προκαλέσει σοβαρό τραυματισμό.
- Ξεκουραστείτε για να μην χάσετε τον έλεγχο λόγω κόπωσης. Σας συνιστούμε να κάνετε 10 έως 20 λεπτά διάλειμμα κάθε ώρα.

Κοπτικά εργαλεία

- Χρησιμοποιήστε ένα κατάλληλο κοπτικό εργαλείο για την εργασία που πρόκειται να κάνετε.
Οι νάιλον κοπτικές κεφαλές (κεφαλές κοπής μεσινέζας) είναι κατάλληλες για το κόψιμο γρασιδιού.
Οι μεταλλικές λάμες είναι κατάλληλες για την κοπή χόρτων, υψηλού γρασιδιού, θάμνων, δενδρολλιών, χαμηλής βλάστησης, συστάδων φυτών, και των παρομοίων.
Ποτέ να μην χρησιμοποιήσετε άλλες λάμες συμπεριλαμβανομένων των μεταλλικών περιστροφικών αλυσίδων πολλαπλών τμημάτων και των αλυσιστικών λαμών. Διαφορετικά μπορεί να προκληθεί σοβαρός τραυματισμός.
- Κατά τη χρήση μεταλλικών λεπίδων, αποφύγετε το "οπισθολάκτισμα" και να είστε πάντοτε προετοιμασμένοι για ένα αναπάντεχο οπισθολάκτισμα. Δείτε την ενότητα "οπισθολάκτισμα".

Οπισθολάκτισμα (κλώτσημα λάμας)

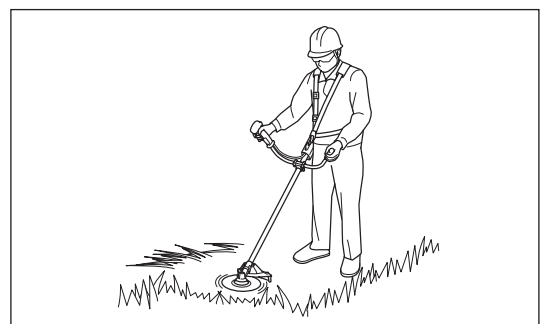
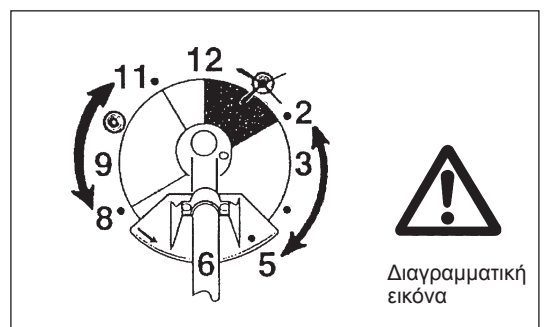
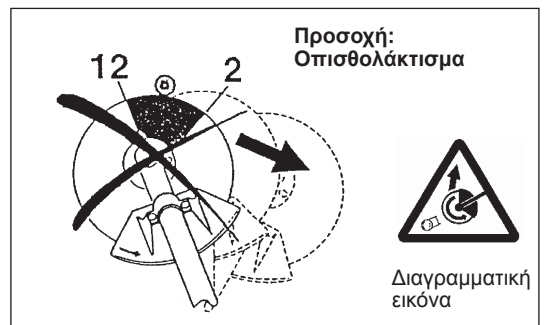
- Το οπισθολάκτισμα (κλώτσημα λάμας) είναι μια απότομη αντίδραση σε μια σφιγμένη ή κολλημένη μεταλλική λάμα. Μόλις συμβεί αυτό, η συσκευή ρίχνεται στα πλάγια ή προς τον χειριστή σε μεγάλη δύναμη και μπορεί να προκαλέσει σοβαρό τραυματισμό.
- Το οπισθολάκτισμα εμφανίζεται ιδιαίτερα κατά την χρήση του τμήματος της λάμας των 12 και 2 "ωρών" πάνω σε στερεά, θάμνους και δέντρα με διάμετρο 3 cm ή μεγαλύτερη.
- Για την αποφυγή οπισθολακτίσματος:
 - Χρησιμοποιήστε το τμήμα μεταξύ των 8 και 11 "ωρών".
 - Ποτέ μην χρησιμοποιήσετε το τμήμα μεταξύ των 12 και 2 "ωρών".
 - Ποτέ μην χρησιμοποιείτε το τμήμα μεταξύ των 11 και 12 "ωρών" και το τμήμα μεταξύ των 2 και 5 "ωρών", εκτός και αν ο χειριστής είναι καλά εκπαιδευμένος και έμπειρος και το κάνει με δική του ευθύνη.
 - Ποτέ να μην χρησιμοποιήσετε μεταλλικές λάμες κοντά σε συμπαγή αντικείμενα όπως φράχτες, τοίχους, κορμούς δέντρων και πέτρες.
 - Ποτέ να μην χρησιμοποιείτε τις μεταλλικές λάμες κάθετα, για εργασίες όπως το κλάδεμα και την κοπή των άκρων των φρακτών.

Δόνηση

- Τα άτομα με κακό κυκλοφορικό σύστημα τα οποία εκτίθενται σε υπερβολικούς κραδασμούς μπορεί να παρουσιάσουν βλάβη στα αιμοφόρα αγγεία ή στο νευρικό σύστημα. Οι κραδασμοί ενδέχεται να προκαλέσουν τα ακόλουθα συμπτώματα στα δάχτυλα, τα χέρια ή τους καρπούς: "Κοίμισμα" (μούδιασμα), μυρμηγκιασμα, πόνος, σουβλιές, αλλαγή χρώματος ή υφής του δέρματος. Εάν έχετε οποιαδήποτε από αυτά τα συμπτώματα, επισκεφτείτε ένα γιατρό!
- Για την ελάττωση του κινδύνου της "ασθένειας των άσπρων δακτύλων", διατηρήστε τα χέρια σας ζεστά κατά την λειτουργία και διατηρήστε σε καλή κατάσταση τη συσκευή και τα εξαρτήματα.

Οδηγίες συντήρησης

- Επισκευάζετε τη συσκευή σας στο δικό μας εξουσιοδοτημένο κέντρο σέρβις, χρησιμοποιώντας πάντοτε αυθεντικά ανταλλακτικά. Η λανθασμένη επισκευή και η φτωχή συντήρηση μπορεί να μειώσει την διάρκεια της ωφέλιμης ζωής της συσκευής και να αυξήσει τον κίνδυνο ατυχημάτων.
- Η κατάσταση του κόφτη, ιδιαίτερα του κοπτικού εργαλείου, των προστατευτικών συσκευών και επίσης του ιμάντα του ώμου θα πρέπει να ελέγχεται πριν από την έναρξη της εργασίας. Ιδιαίτερη προσοχή πρέπει επίσης να δίνεται στις μεταλλικές λάμες οι οποίες πρέπει να είναι σωστά ακονισμένες.
- Κλείστε τον κινητήρα και αφαιρέστε το σύνδεσμο του μπουζί κατά την αντικατάσταση ή το ακόνισμα των κοπτικών εργαλείων και επίσης κατά τον καθαρισμό του κόφτη ή του κοπτικού εργαλείου.



Ποτέ να μην ισιώνετε ή να συγκολλάτε κατεστραμμένα κοπτικά εργαλεία.

- Δώστε προσοχή στο περιβάλλον. Αποφύγετε την άσκοπη λειτουργία του γκαζιού για λιγότερη ρύπανση και εκπομπές θορύβου. Ρυθμίστε το καρμπυρατέρ σωστά.
- Καθαρίζετε τη συσκευή ανά τακτά διαστήματα και ελέγχετε ότι όλες οι βίδες και τα παξιμάδια είναι καλά σφιγμένα.
- Ποτέ να μην κάνετε τη συντήρηση ή την αποθήκευση της συσκευής κοντά σε γυμνές φλόγες.
- Πάντοτε να αποθηκεύετε τη συσκευή σε κλειδωμένα δωμάτια με άδειο το ρεζερβουάρ καυσίμου.
- Κατά το καθάρισμα, τη συντήρηση και την αποθήκευση της συσκευής, πάντοτε να συνδέετε το κάλυμμα στη μεταλλική λάμα.



Τηρήστε τις σχετικές οδηγίες αποτροπής ατυχήματος που εκδίδονται από τις σχετικές εμπορικές ενώσεις και από τις ασφαλιστικές εταιρίες. Μην εκτελέσετε καμιά τροποποίηση στη συσκευή επειδή αυτό θα θέσει σε κίνδυνο την ασφάλειά σας.

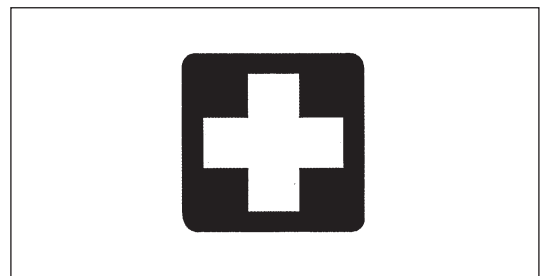
Η εκτέλεση των εργασιών συντήρησης και επισκευής από το χρήστη περιορίζονται στις δραστηριότητες που περιγράφονται στο εγχειρίδιο οδηγιών. Όλες οι άλλες εργασίες πρέπει να γίνονται από ένα εξουσιοδοτημένο αντιπρόσωπο του σέρβις. Χρησιμοποιήστε μόνο τα αυθεντικά ανταλλακτικά και αξεσουάρ που διατίθενται και παρέχονται από τη DOLMAR.

Η χρήση μη εγκεκριμένων εξαρτημάτων και εργαλείων συνεπάγεται τον αυξημένο κίνδυνο ατυχημάτων.

Η DOLMAR δεν θα δεχθεί την οποιαδήποτε ευθύνη για ατυχήματα ή φθορά που προκλήθηκε από τη χρήση μη εγκεκριμένων κοπτικών εργαλείων και συσκευών στερέωσης των κοπτικών εργαλείων ή αξεσουάρ.

Πρώτες βοήθειες

Για την περίπτωση ατυχήματος, φροντίστε να υπάρχει διαθέσιμο ένα κουτί πρώτων βοηθειών στην περιοχή όπου εκτελούνται οι εργασίες κοπής. Αντικαταστήστε αμέσως το οποιοδήποτε αντικείμενο που πάρεθηκε από το κουτί των πρώτων βοηθειών.



Όταν ζητάτε βοήθεια, παρακαλώ παράσχετε τις ακόλουθες πληροφορίες:

- Τόπος του ατυχήματος
- Τι συνέβη
- Αριθμός τραυματισμένων ατόμων
- Είδος των τραυμάτων
- Το όνομά σας

Για τις ευρωπαϊκές χώρες μόνο

ΕΚ – Δήλωση συμμόρφωσης

H Makita δηλώνει ότι το παρακάτω μηχάνημα(τα):

Όνομασία μηχανήματος: Βενζινοκίνητο θαμνοκοπτικό
Αρ. μοντέλου/ Τύπος: MS-34 U, MS-34 C

Συμμορφώνονται με τις ακόλουθες Ευρωπαϊκές Οδηγίες:

2000/14/EK, 2006/42/EK

Κατασκευάζονται σύμφωνα με το παρακάτω πρότυπο ή τυποποιημένα έγγραφα:

EN ISO 11806-1

Το τεχνικό αρχείο σύμφωνα με την 2006/42/EK είναι διαθέσιμο από:

Makita, Jan-Baptist Vinkstraat 2, 3070, Belgium

Η διαδικασία εκτίμησης συμμόρφωσης που απαιτείται από την Οδηγία 2000/14/EK εκτελέστηκε σύμφωνα με το Παράρτημα V.

MS-34 U (Με νάιλον κοπτική κεφαλή):

Μετρημένο επίπεδο ηχητικής ισχύος: 109,1 dB

Εγγυημένο επίπεδο ηχητικής ισχύος: 110 dB

MS-34 U (Με λάμα κοπής):

Μετρημένο επίπεδο ηχητικής ισχύος: 105,8 dB

Εγγυημένο επίπεδο ηχητικής ισχύος: 106 dB

MS-34 C (Με νάιλον κοπτική κεφαλή):

Μετρημένο επίπεδο ηχητικής ισχύος: 110,4 dB

Εγγυημένο επίπεδο ηχητικής ισχύος: 112 dB

MS-34 C (Με λάμα κοπής):

Μετρημένο επίπεδο ηχητικής ισχύος: 105,9 dB

Εγγυημένο επίπεδο ηχητικής ισχύος: 107 dB

6. 6. 2014

Yasushi Fukaya
Διευθυντής

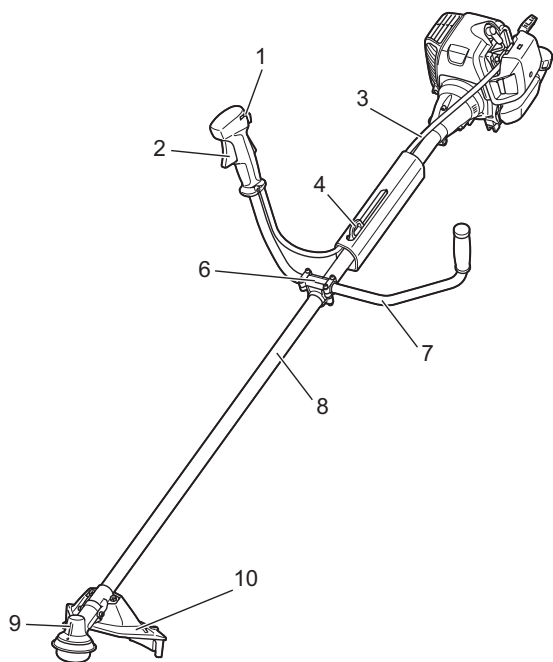
Makita, Jan-Baptist Vinkstraat 2, 3070, Belgium

ΤΕΧΝΙΚΑ ΔΕΔΟΜΕΝΑ

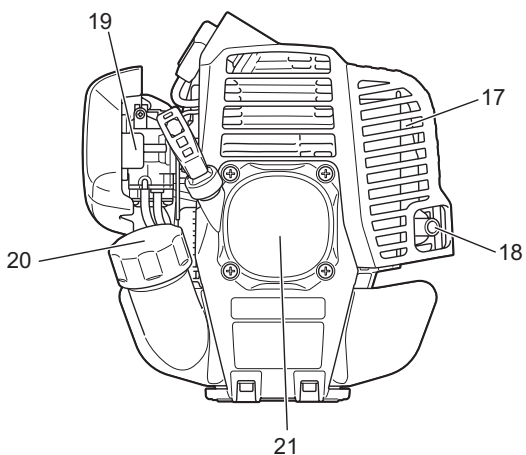
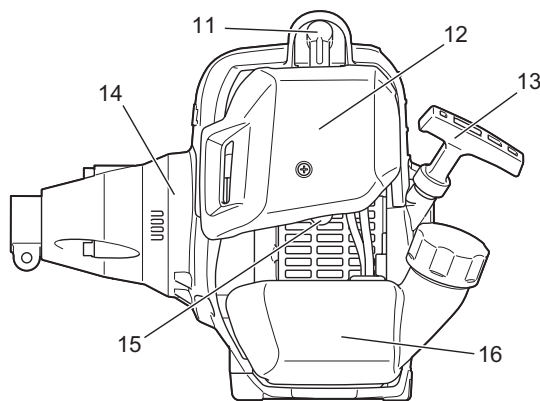
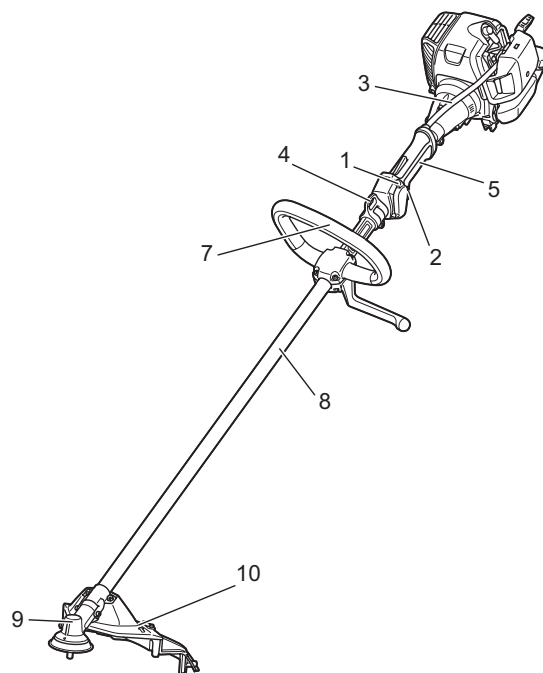
Μοντέλο			MS-34 U		MS-34 C		
Τύπος χερουιού			Χερούλι ποδηλάτου		Χερούλι σχήματος βρόχου		
Διαστάσεις: μήκος x πλάτος x ύψος (χωρίς το κοπτικό εργαλείο)	mm		1.815 x 650 x 435		1.815 x 330 x 270		
Βάρος (χωρίς τον προφυλακτήρα κοπτικού εργαλείου και το κοπτικό εργαλείο)	kg		6,4		6,2		
Όγκος (ρεζερβουάρ καυσίμου)	L		0,75				
Εκτόπισμα κινητήρα	cm ³		34,0				
Μέγιστη απόδοση κινητήρα	kW		1,15 στα 7.000 min ⁻¹				
Ταχύτητα κινητήρα στη συνιστώμενη μέγιστη ταχύτητα του άξονα	min ⁻¹		10.000				
Μέγιστη ταχύτητα του άξονα (αντίστοιχη)	min ⁻¹		6.800				
Ταχύτητα ρελαντί	min ⁻¹		2.800				
Ταχύτητα εμπλοκής συμπλέκτη	min ⁻¹		4.100				
Καρμπυρατέρ	τύπος		WALBLO WYJ				
Μπουζί	τύπος		NGK BPMR7A				
Διάκενο ηλεκτροδίων	mm		0,6 - 0,7				
			ΝΑΪΛΟΝ ΚΟΠΤΙΚΗ ΚΕΦΑΛΗ	ΜΕΤΑΛΛΙΚΗ ΛΑΜΑ	ΝΑΪΛΟΝ ΚΟΠΤΙΚΗ ΚΕΦΑΛΗ	ΜΕΤΑΛΛΙΚΗ ΛΑΜΑ	
Δόνηση σύμφωνα με το ISO 22867	Δεξιό χερούλι (Πίσω λαβή)	$a_{hv\ eq}$	m/s ²	4,1	4,0	4,6	4,3
		Αβεβαιότητα K	m/s ²	1,0	0,5	2,0	1,0
	Αριστερό χερούλι (Μπροστινή λαβή)	$a_{hv\ eq}$	m/s ²	4,4	4,3	5,5	5,4
		Αβεβαιότητα K	m/s ²	1,8	1,2	1,4	1,0
Στάθμη ηχητικής πίεσης αντιπροσωπευτική του ISO 22868		$L_{PA\ eq}$	dB(A)	95,0	92,7	95,9	91,3
		Αβεβαιότητα K	dB(A)	2,5	0,7	1,0	1,1
Στάθμη ηχητικής ισχύος αντιπροσωπευτική του ISO 22868		$L_{WA\ eq}$	dB(A)	109,1	105,8	110,4	105,9
		Αβεβαιότητα K	dB(A)	1,0	0,4	1,6	0,8
Αναλογία μίξης (Καύσιμο: λάδι 2-χρονου κινητήρα DOLMAR)			50 : 1				
Κοπτικά εργαλεία (διάμετρος κοπτικής λάμας)			mm 255 (με 4-δοντη λάμα)				
Σχέση μετάδοσης			13/19				

- Λόγω του συνεχόμενου προγράμματος που εφαρμόζουμε για έρευνα και ανάπτυξη, τα τεχνικά χαρακτηριστικά στο παρόν έντυπο υπόκεινται σε αλλαγή χωρίς προειδοποίηση.
- Τα τεχνικά χαρακτηριστικά ενδέχεται να διαφέρουν ανάλογα με τη χώρα.

MS-34 U



MS-34 C



ΚΑΘΟΡΙΣΜΟΣ ΕΞΑΡΤΗΜΑΤΩΝ	
1	Διακόπτης I-O (ανοικτός/ κλειστός)
2	Μοχλός γκαζιού
3	Καλώδιο χειρισμού
4	Αναρτήρας
5	Πίσω λαβή
6	Στήριγμα χερουλιού
7	Χερούλι
8	Άξονας
9	Κιβώτιο ταχυτήτων
10	Προστατευτικό (Προφυλακτήρας κοπτικού εργαλείου)
11	Μπουζί
12	Φίλτρο αέρα
13	Κομβίο εκκινήτρια
14	Θήκη συμπλέκτη
15	Αντλία προέγχυσης
16	Ρεζερβουάρ καυσίμου
17	Σιγαστήρας εξάτμισης
18	Σωλήνας εξάτμισης
19	Μοχλός τσοκ
20	Τάπα ρεζερβουάρ καυσίμου
21	Εκκινήτρια ανατύλιξης

ΣΤΕΡΕΩΣΗ ΤΟΥ ΧΕΡΟΥΛΙΟΥ

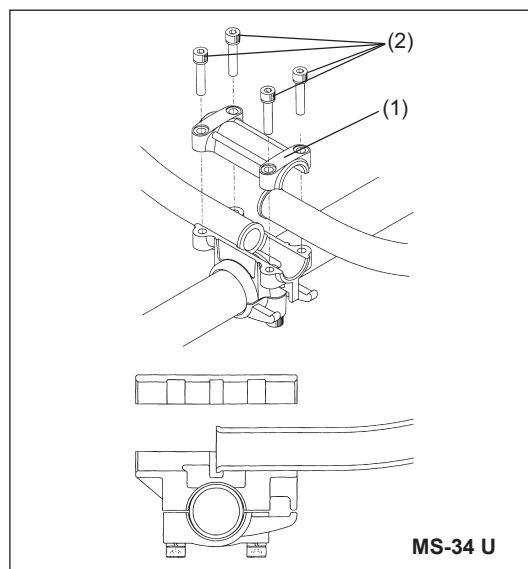
ΠΡΟΣΟΧΗ: Πριν κάνετε την οποιαδήποτε εργασία πάνω στη συσκευή, πάντοτε να σταματάτε τον κινητήρα και να αποσυνδέετε το σύνδεσμο του μπουζί από το μπουζί.

Να φοράτε πάντα προστατευτικά γάντια!

ΠΡΟΣΟΧΗ: Να ξεκινάτε τον κινητήρα μόνο αφού τον έχετε συναρμολογήσει εντελώς.

Για τα μοντέλα με χερούλι ποδηλάτου

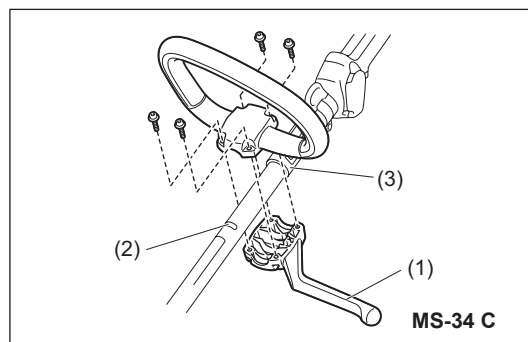
- Τοποθετήστε το χερούλι με το μοχλό του γκαζιού πάνω στο στηρίγμα χερουλιού στη δεξιά πλευρά (κρατείται από το δεξιό χέρι) και το άλλο στην αριστερή πλευρά.
- Τοποθετήστε το άκρο του χερουλιού στην αυλάκωση του στηρίγματος χερουλιού και προσωρινά στερεώστε την πάνω πλευρά (1) του στηρίγματος χερουλιού με τα τέσσερα μπουλόνια M5 x 25 (2).
- Προσαρμόστε το χερούλι υπό μια γωνία για εύκολο χειρισμό και σφίξτε τη βίδα (2) ομοιόμορφα στη δεξιά και αριστερή πλευρά.



Για τα μοντέλα με χερούλι σε σχήμα βρόχου

- Στερεώστε το φράγμα (1) στην αριστερή πλευρά του μηχανήματος μαζί με το χερούλι για την προστασία του χειριστή.
- Βεβαιωθείτε ότι το συγκρότημα λαβής/φράγματος βρίσκεται τοποθετημένο μεταξύ του διαχωριστικού και του σημείου του βέλους (2).

⚠ ΠΡΟΕΙΔΟΠΟΙΗΣΗ: Μην αφαιρείτε ή συμπύσσετε το διαχωριστή (3). Το διαχωριστικό διατηρεί μια συγκεκριμένη απόσταση μεταξύ των δυο χεριών. Η τοποθέτηση του συγκροτήματος λαβής/φράγματος κοντά στην άλλη λαβή πέρα από το μήκος του διαχωριστικού μπορεί να προκαλέσει την απώλεια του ελέγχου και το σοβαρό προσωπικό τραυματισμό.



ΣΗΜΕΙΩΣΗ:

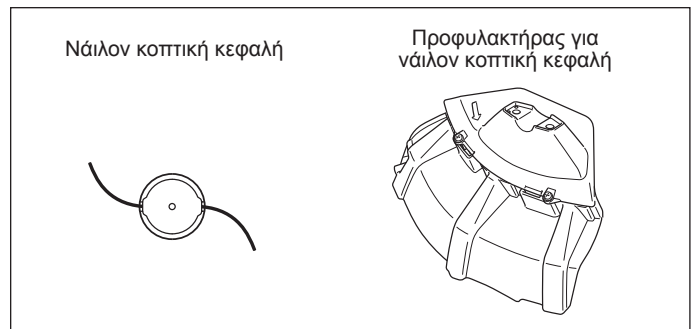
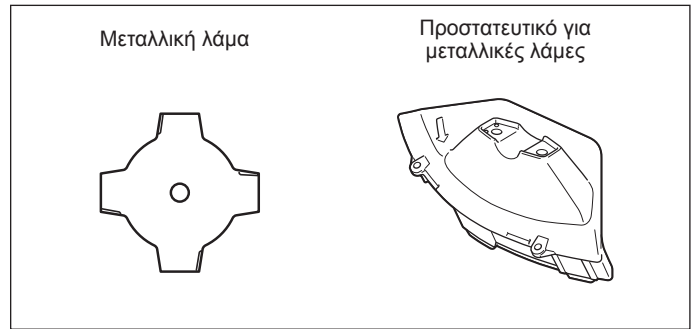
- Σε μερικές χώρες δεν συμπεριλαμβάνεται το διαχωριστικό. Σε αυτή την περίπτωση, τοποθετήστε το συγκρότημα λαβής/φράγματος μεταξύ των σημείων του βέλους.

ΣΤΕΡΕΩΣΗ ΤΟΥ ΠΡΟΣΤΑΤΕΥΤΙΚΟΥ

Για εναρμόνιση με τις διατάξεις ασφαλείας, πρέπει να χρησιμοποιηθούν μόνο οι συνδυασμοί εργαλείου/προστατευτικό που αναφέρονται στον πίνακα.

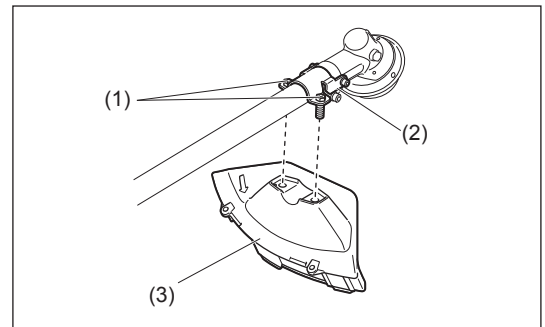
ΠΡΟΣΟΧΗ: Το κατάλληλο προστατευτικό πρέπει πάντοτε να εγκαθίσταται, για τη δική σας ασφάλεια και για τη συμμόρφωση με τους κανονισμούς πρόληψης ατυχήματος.
Δεν επιτρέπεται η χρήση της συσκευής χωρίς την τοποθέτηση του προφυλακτήρα.

ΣΗΜΕΙΩΣΗ: Ο πρότυπος συνδυασμός κοπτικών εργαλείων διαφέρει από χώρα σε χώρα.



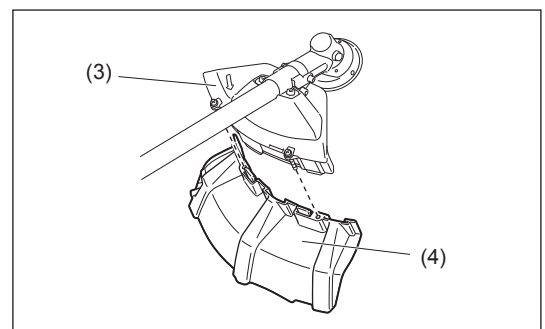
– Κατά τη χρήση της μεταλλικής λάμας, στερεώστε το προστατευτικό (3) στο σφικτήρα (2) με δυο μπουλόνια (1).

ΣΗΜΕΙΩΣΗ: Σφίξτε τα μπουλόνια δεξιά και αριστερά ομοιόμορφα έτσι ώστε το διάκενο μεταξύ του σφικτήρα (2) και του προστατευτικού (3) να είναι σταθερό.
Διαφορετικά, το προστατευτικό μερικές φορές μπορεί να μην λειτουργήσει με τον καθορισμένο τρόπο.



– Στις περιπτώσεις που πρόκειται να χρησιμοποιηθεί ο κόφτης της νάιλον μεσινέζας, φροντίστε να στερεώσετε το προστατευτικό του κόφτη της νάιλον μεσινέζας (4) πάνω στο προστατευτικό της μεταλλικής λάμας (3).

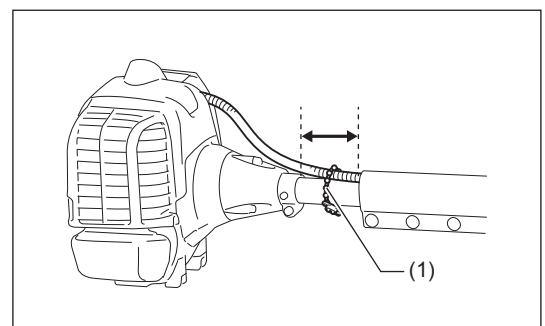
ΠΡΟΣΟΧΗ: Φροντίστε να μην τραυματιστείτε πάνω στον κόφτη κόβοντας τη νάιλον μεσινέζα.



(Μόνο για το μοντέλο MS-34 U)

Προσάρτηση του προσδετήρα

Στερεώστε το καλώδιο χειρισμού και τον άξονα μέσω του προσδετήρα (1) στη περιοχή που εμφανίζεται στην εικόνα.



ΣΤΕΡΕΩΣΗ ΤΟΥ ΚΟΠΤΙΚΟΥ ΕΡΓΑΛΕΙΟΥ

Φροντίστε να χρησιμοποιείτε τις αυθεντικές κοπτικές μεταλλικές λάμες ή τη νάιλον κοπτική κεφαλή της DOLMAR.

- Η μεταλλική λάμα πρέπει πάντοτε να είναι καλά γυαλισμένη και χωρίς ρωγμές ή σπασίματα. Εάν η μεταλλική λάμα χτυπήσει μια πέτρα κατά τη λειτουργία, σταματήστε τον κινητήρα και ελέγξτε αμέσως τη λάμα.
- Καθαρίστε ή αντικαθιστάτε τη μεταλλική λάμα κάθε τρεις ώρες λειτουργίας.
- Εάν η νάιλον κοπτική κεφαλή χτυπήσει ένα σκληρό αντικείμενο, όπως μια πέτρα, κατά τη λειτουργία, σταματήστε τον κινητήρα και ελέγξτε αμέσως την νάιλον κοπτική κεφαλή.

ΠΡΟΣΟΧΗ: Το κατάλληλο προστατευτικό πρέπει πάντοτε να εγκαθίσταται, για τη δική σας ασφάλεια και για τη συμμόρφωση με τους κανονισμούς πρόληψης ατυχήματος.

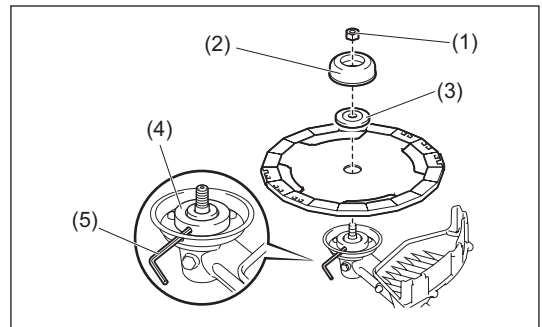
Δεν επιτρέπεται η χρήση της συσκευής χωρίς την τοποθέτηση του προφυλακτήρα.

Η εξωτερική διάμετρος της κοπτικής λάμας πρέπει να είναι 255 mm (10") ή μικρότερη. Ποτέ να μην χρησιμοποιείτε λάμες που υπερβαίνουν τα 255 mm (10") σε εξωτερική διάμετρο.

ΠΡΟΣΟΧΗ: Φροντίστε το κοπτικό εργαλείο να έχει συνδεθεί με ασφάλεια πριν από τη λειτουργία.

Στρέψτε το μηχάνημα ανάποδα και τότε μπορείτε να αντικαταστήσετε την μεταλλική λάμα ή τη νάιλον κοπτική κεφαλή εύκολα.

- Βάλτε το εξάγωνο άλεν (5) μέσα στην τρύπα στο κιβώτιο ταχυτήτων και περιστρέψτε τη ροδέλα της μονάδας υποδοχής (4) έως ότου κλειδώσει με το εξάγωνο άλεν.
- Ξεσφίξτε το παξιμάδι (1) (αριστερό σπειρώμα) με το κλειδί άλεν και αφαιρέστε το παξιμάδι (1), το καπάκι (2) και τη ροδέλα σύσφιξης (3).

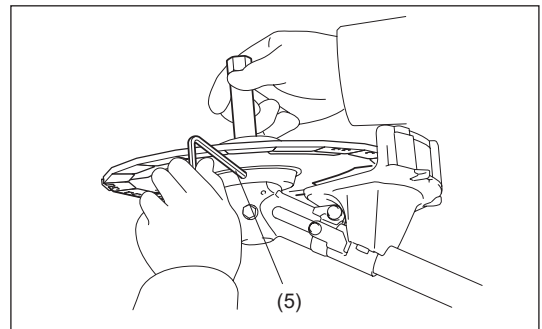


Στερέωση της μεταλλικής λάμας με το εξάγωνο άλεν (5) ακόμη στη θέση του

- Στερεώστε τη μεταλλική λάμα πάνω στον άξονα έτσι ώστε ο οδηγός της ροδέλας της μονάδας υποδοχής (4) να ταιριάζει στην τρύπα του άξονα της μεταλλικής λάμας. Τοποθετήστε τη ροδέλα σύσφιξης (3), το καπάκι (2) και στερεώστε τη μεταλλική λάμα με το παξιμάδι (1).
[Ροπή σφίξης: 13 - 23 N-m]

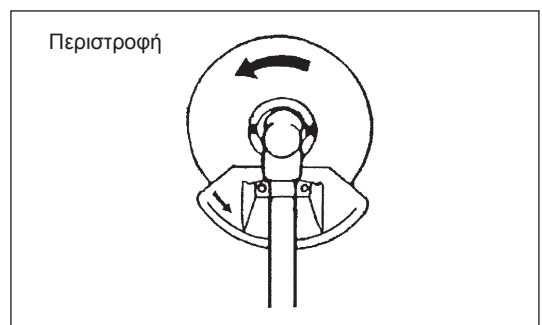
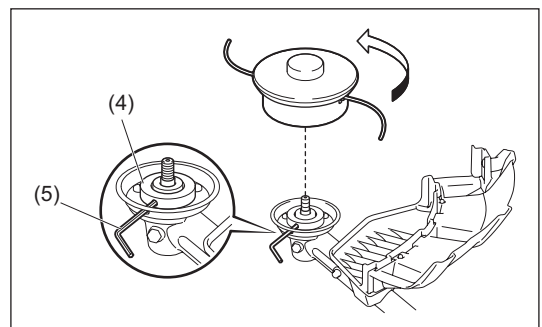
ΣΗΜΕΙΩΣΗ: Πάντοτε να φοράτε γάντια κατά το χειρισμό της μεταλλικής λάμας.

ΣΗΜΕΙΩΣΗ: Το παξιμάδι στερέωσης της μεταλλικής λάμας (με ελατηριωτή ροδέλα) είναι ένα αναλώσιμο εξάρτημα. Εάν εμφανιστεί η οποιαδήποτε φθορά ή παραμόρφωση στην ελατηριωτή ροδέλα, αντικαταστήστε το παξιμάδι.



Στερέωση της νάιλον κοπτικής κεφαλής

- Η ροδέλα σύσφιξης (3), το καπάκι (2) και το παξιμάδι (1) δεν είναι απαραίτητα για τη στερέωση της νάιλον κοπτικής κεφαλής. Η νάιλον κοπτική κεφαλή πρέπει να βρίσκεται στην κορυφή της ροδέλας της μονάδας υποδοχής (4).
- Βάλτε το εξάγωνο άλεν (5) μέσα στην τρύπα στο κιβώτιο ταχυτήτων και περιστρέψτε τη ροδέλας της μονάδας υποδοχής (4) έως ότου κλειδώσει με το εξάγωνο άλεν.
- Στη συνέχεια βιδώστε την νάιλον κοπτική κεφαλή πάνω στον άξονα περιστρέφοντάς την αριστερόστροφα.
- Αφαιρέστε το εξάγωνο κλειδί (5).



Χειρισμός πετρελαϊκών προϊόντων

Απαιτείται μεγάλη προσοχή κατά το χειρισμό του καυσίμου. Το καύσιμο μπορεί να περιέχει ουσίες όμοιες με τους διαλύτες. Ανεφοδιάστε σε ένα καλά αεριζόμενο δωμάτιο είτε σε ένα εξωτερικό χώρο. Μην εισπνεύσετε τους ατμούς του καυσίμου και αποφύγετε την επαφή του καυσίμου ή του λαδιού με το δέρμα σας. Τα προϊόντα ορυκτελαίων απολιπαίνουν το δέρμα σας. Εάν το δέρμα σας έρχεται σε επαφή με τις ουσίες αυτές επανειλημμένα και για μεγάλο χρονικό διάστημα μπορούν να προκληθούν διάφορες παθήσεις του δέρματος. Επιπρόσθετα, είναι γνωστό ότι προκαλούνται αλλεργικές αντιδράσεις. Τα μάτια μπορούν να ερεθιστούν ερχόμενα σε επαφή με το λάδι, το καύσιμο κτλ. Εάν το λάδι έρθει σε επαφή με τα μάτια σας, να τα πλύνετε αμέσως με καθαρό νερό. Εάν τα μάτια σας παραμείνουν ερεθισμένα επισκεφτείτε ένα γιατρό αμέσως.

Μείγμα καυσίμου και λαδιού

Ο κινητήρας του θαμνοκοπτικού είναι ένας δίχρονος κινητήρας υψηλής απόδοσης. Λειτουργεί με ένα μείγμα καυσίμου και λαδιού δίχρονου κινητήρα. Ο κινητήρας είναι σχεδιασμένος να λειτουργεί με κανονικό αμόλυβδο καύσιμο με την ελάχιστη τιμή οκτανίων των 91 RON. Σε περίπτωση που δεν είναι διαθέσιμο το εν λόγω καύσιμο, μπορείτε να χρησιμοποιήσετε καύσιμα με υψηλότερη τιμή οκτανίων. Αυτό δεν θα επηρεάσει τον κινητήρα, αλλά μπορεί να προκαλέσει φτωχή συμπεριφορά λειτουργίας.

Παρόμοια προβλήματα θα προκύψουν από τη χρήση καυσίμου με μόλυβδο. Για να αποκτήσετε τη βέλτιστη απόδοση του κινητήρα και για την προστασία της υγείας σας και του περιβάλλοντος, χρησιμοποιήστε μόνο αμόλυβδο καύσιμο!

Για τη λίπανση του κινητήρα χρησιμοποιήστε ένα δίχρονο λάδι κινητήρα (διαβάθμιση ποιότητας: JASO FC ή ISO EGD), το οποίο προστίθεται στο καύσιμο. Ο κινητήρας είναι σχεδιασμένος να χρησιμοποιεί το λάδι δίχρονου κινητήρα DOLMAR στην αναλογία μίγματος 50:1 για την προστασία του περιβάλλοντος. Επιπλέον, η μεγάλη διάρκεια ζωής και η αξιόπιστη λειτουργία με ελάχιστη εκπομπή καυσαερίων είναι εξασφαλισμένη. Είναι απολύτως απαραίτητη η τήρηση της αναλογίας μίγματος 50:1 για το λάδι δίχρονου κινητήρα της DOLMAR. Σε διαφορετική περίπτωση δεν είναι εγγυημένη η αξιόπιστη λειτουργία του θαμνοκοπτικού.

Η σωστή αναλογία μίγματος:

Μίγμα 50 μερών βενζίνης με 1 μέρος λαδιού δίχρονου κινητήρα της DOLMAR (δείτε τον πίνακα στα δεξιά).

ΣΗΜΕΙΩΣΗ: Για την παρασκευή του μίγματος καυσίμου-λαδιού, πρώτα αναμίξτε το σύνολο της ποσότητας του λαδιού με το ήμισυ της ποσότητας του καυσίμου που απαιτείται σε ένα εγκεκριμένο δοχείο, το οποίο ικανοποιεί ή υπερβαίνει όλα τα πρότυπα του τοπικού κώδικα και στη συνέχεια προσθέστε το εναπομένον καύσιμο. Ανακατέψτε καλά το μίγμα πριν γεμίσετε με αυτό το ρεζερβουάρ του θαμνοκοπτικού. Δεν είναι ενδειγμένο να προσθέσετε περισσότερη ποσότητα λαδιού κινητήρα από την καθορισμένη για να εξασφαλίσετε την ασφαλή λειτουργία. Αυτό θα έχει ως αποτέλεσμα μόνο την υψηλότερη παραγωγή κατάλοιπων καύσης, τα οποία ρυπαίνουν το περιβάλλον και βουλώνουν τόσο το κανάλι της εξάτμισης στον κύλινδρο όσο και τα μπουζί και το σιγαστήρα. Επιπρόσθετα, η κατανάλωση καυσίμου θα αυξηθεί και η απόδοση θα μειωθεί.

Ανεφοδιασμός καυσίμου

Ποτέ μην εκτελείτε τις εργασίες ανεφοδιασμού μέσα σε ένα κλειστό χώρο χωρίς αερισμό.

Ο κινητήρας πρέπει να είναι σβηστός!

- Καθαρίστε καλά την περιοχή γύρω από την τάπα του ρεζερβουάρ για να αποτρέψετε την είσοδο βρωμιάς μέσα στο ρεζερβουάρ καυσίμου (1).
 - Ξεβιδώστε την τάπα του ρεζερβουάρ (2) και γεμίστε το ρεζερβουάρ με καύσιμο.
 - Ποτέ να μην γεμίζετε το ρεζερβουάρ καυσίμου μέχρι τελείως πάνω.
 - Βιδώστε καλά την τάπα του ρεζερβουάρ.
 - Σκουπίστε τη βιδωτή τάπα και το ρεζερβουάρ με ένα απορροφητικό μετά τον ανεφοδιασμό!
- Αφήστε τα ρούχα να στεγνώσουν και απορρίψτε σε ένα κατάλληλο περιέκτη.

ΣΗΜΕΙΩΣΗ: Σε μερικές χώρες, η τάπα του ρεζερβουάρ δεν διαθέτει ιμάντα (3).



Αποθήκευση καυσίμου

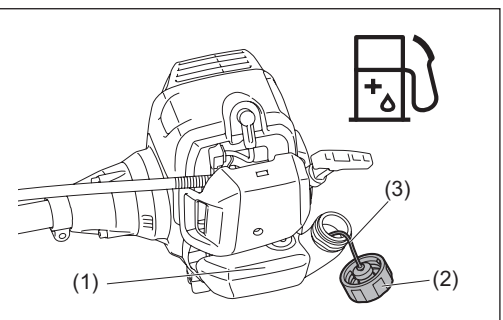
Το καύσιμο δεν μπορεί να αποθηκευτεί για απεριόριστο χρονικό διάστημα. Αγοράστε μόνο την ποσότητα που απαιτείται για μια περίοδο λειτουργίας 4 εβδομάδων. Χρησιμοποιήστε μόνο τα εγκεκριμένα δοχεία αποθήκευσης καυσίμου.



Τηρήστε τις Οδηγίες Ασφαλείας της σελίδας 172!



Βενζίνη (αμόλυβδο 95 οκτανίων)	50:1
	
1.000 cc (1 L) 5.000 cc (5 L) 10.000 cc (10 L)	20 cc 100 cc 200 cc



ΣΩΣΤΟΣ ΧΕΙΡΙΣΜΟΣ ΤΟΥ ΜΗΧΑΝΗΜΑΤΟΣ

ΠΡΟΕΙΔΟΠΟΙΗΣΗ: Εάν δεν διατηρήσετε τον πλήρη έλεγχο του μηχανήματος μπορεί να προκληθεί σοβαρός σωματικός τραυματισμός ή ΘΑΝΑΤΟΣ.

Τοποθέτηση του ιμάντα του ώμου

- Προσαρμόστε το μήκος του ιμάντα έτσι ώστε η λάμα κοπής να είναι παράλληλη με το έδαφος.

Αποσύνδεση

Για MS-34 U

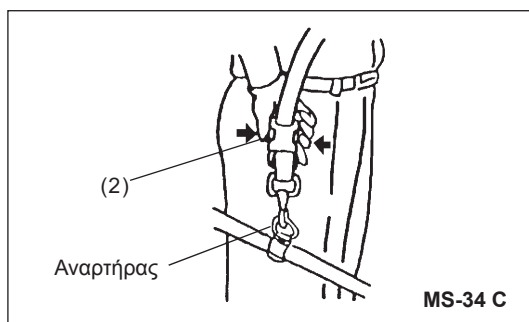
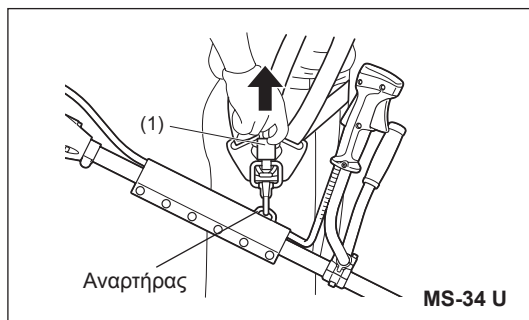
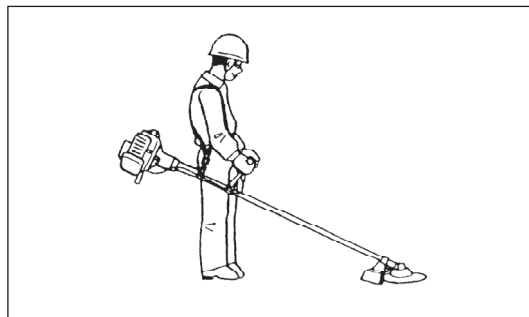
- Σε περίπτωση έκτακτου ανάγκης, τραβήξτε προς τα πάνω το άγκιστρο (1), και με τον τρόπο αυτό αποσυνδέεται το μηχάνημα από εσάς.

Τη στιγμή αυτή δώστε μεγάλη προσοχή για να διατηρήσετε τον έλεγχο του μηχανήματος. Μην επιτρέψετε στο μηχάνημα να εκτραπεί προς τα εσάς ή προς τον οποιονδήποτε στην περιοχή εργασίας.

Για MS-34 C

- Σε κατάσταση έκτακτης ανάγκης, σπρώξτε τις εγκοπές (2) προς τις δυο πλευρές, και με τον τρόπο αυτό αποσυνδέεται το μηχάνημα από εσάς.

Τη στιγμή αυτή δώστε μεγάλη προσοχή για να διατηρήσετε τον έλεγχο του μηχανήματος. Μην επιτρέψετε στο μηχάνημα να εκτραπεί προς τα εσάς ή προς τον οποιονδήποτε στην περιοχή εργασίας.



ΣΗΜΕΙΑ ΧΕΙΡΙΣΜΟΥ ΚΑΙ ΤΡΟΠΟΣ ΔΙΑΚΟΠΗΣ

ΠΡΟΣΟΧΗ: Να τηρείτε τους ισχύοντες κανονισμούς πρόληψης ατυχημάτων!

ΞΕΚΙΝΗΜΑ

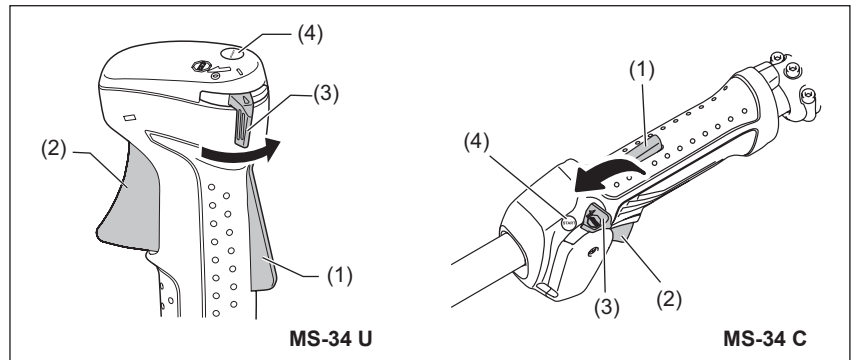
ΠΡΟΕΙΔΟΠΟΙΗΣΗ: Προσέξτε ότι το κοπτικό εργαλείο περιστρέφεται αμέσως μετά την εκκίνηση του κινητήρα. Πριν το ξεκίνημα, φροντίστε το κοπτικό εργαλείο να μην βρίσκεται σε επαφή με σκληρά αντικείμενα όπως κλαδιά, πέτρες κτλ.

ΠΡΟΣΟΧΗ:

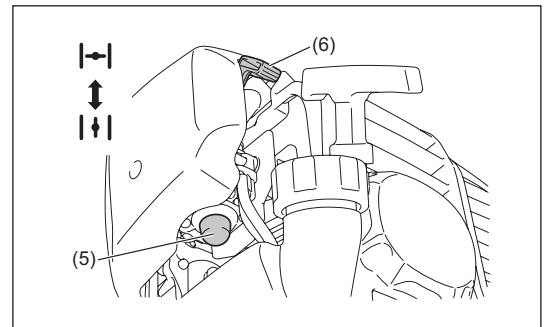
- Μετακινήστε τουλάχιστον 3 μέτρα από το σημείο ανεφοδιασμού με καύσιμο. Τοποθετήστε τη συσκευή στο έδαφος φροντίζοντας το κοπτικό εργαλείο να μην έρχεται σε επαφή με το έδαφος ή με άλλα αντικείμενα.
- Ποτέ να μην τραβήξετε το σχοινί μέχρι τέρμα. Όταν τραβηχτεί το κομβίο εκκινήτρια, ποτέ να μην ελευθερώνετε το χέρι σας αμέσως. Κρατήστε τη το κομβίο εκκινήτρια έως ότου να επιστρέψει στο αρχικό της σημείο.

A: Εκκίνηση εν ψυχρώ

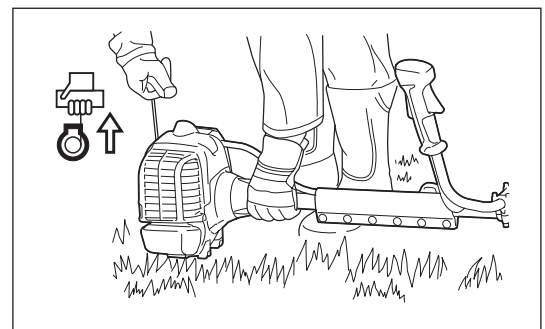
- 1) Τοποθετήστε αυτό το μηχανήμα σε επίπεδη επιφάνεια.
- 2) Πιάστε σφιχτά το χερούλι (ο ασφαλιστικός μοχλός απεμπλοκής (1) ελευθερώνεται από τη λαβή).
- 3) Πιέστε το μοχλό του γκαζιού (2) και κρατήστε τον πατημένο.
- 4) Σπρώξτε το διακόπτη I-O (3) στο START (4). Κάνει το μοχλό του γκαζιού να επέρχεται σε κατάσταση κλειδώματος του μισού γκαζιού.



- 5) Πιέστε με προσοχή την αντλία προέγχυσης (5) επαναλαμβανόμενα (7 -10 φορές) έως ότου το καύσιμο μπει στην αντλία προέγχυσης.
- 6) Μετακινήστε τον μοχλό του τσοκ (6) στην πάνω θέση (| | - κλεισμένο τσοκ).



- 7) Κρατήστε καλά τη μονάδα με το αριστερό σας χέρι.
- 8) Τραβήξτε το κομβίο του εκκινήτρια αργά έως ότου να αισθανθείτε συμπίεση. Μετά τραβήξτε το γερά.
- 9) Επαναλάβετε τη διαδικασία εκκίνησης μέχρι να ακουστούν αρχικές αναφλέξεις.
- 10) Όταν ξεκινήσει ο κινητήρας, επιστρέψτε το μοχλό του τσοκ στη θέση “| | - ανοιχτό τσοκ”.
- 11) Μόλις ξεκινήσει ο κινητήρας, κρατήστε αμέσως καλά το χερούλι (η ασφαλιστική απεμπλοκή αμέσως ελευθερώνεται λόγω του κρατήματος) και τραβήξτε για λίγο το μοχλό του γκαζιού, και ελευθερώστε τον. (Αυτό ελευθερώνει την κατάσταση κλειδώματος του μισού γκαζιού και ο κινητήρας λειτουργεί στο ρελαντί.)
- 12) Θέστε σε λειτουργία τον κινητήρα για περίπου ένα λεπτό σε μέτρια ταχύτητα πριν ανοίξετε πλήρως το γκάζι.



B: Θερμή εκκίνηση

– Όπως περιγράφεται παραπάνω, χωρίς τη μετακίνηση του μοχλού του τσοκ (ο μοχλός του τσοκ παραμένει στη θέση “| | - ανοιχτό τσοκ”).

ΣΗΜΕΙΩΣΗ:

Εάν εισέλθει υπερβολική ποσότητα καυσίμου, αφαιρέστε το μπουζί και τραβήξτε το χερούλι του εκκινήτρια αργά για να αφαιρέσετε το υπερβολικό καύσιμο. Επίσης, στεγνώστε το τμήμα του ηλεκτροδίου του μπουζί.

Προσοχή κατά τη λειτουργία: Εάν ο μοχλός του γκαζιού ανοίξει πλήρως κατά τη λειτουργία χωρίς φορτίο, οι στροφές του κινητήρα θα αυξηθούν στις 10.000 min⁻¹ ή περισσότερο.

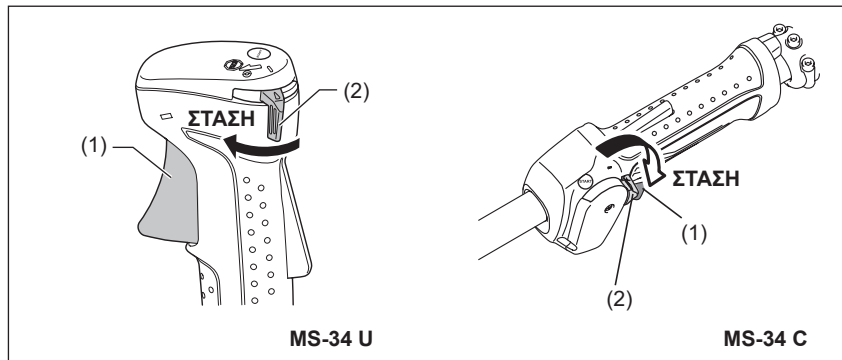
Ποτέ μη θέσετε σε λειτουργία τον κινητήρα σε ταχύτητα υψηλότερη από τη ζητούμενη. Θέστε σε λειτουργία τον κινητήρα σε ταχύτητα κατά προσέγγιση 6.000 - 8.000 min⁻¹.

ΣΤΑΜΑΤΗΜΑ

- 1) Ελευθερώστε πλήρως το μοχλό του γκαζιού (1).
- 2) Όταν μειωθεί η περιστροφή του κινητήρα, ρυθμίστε το διακόπτη I-O (2) στη θέση STOP.

ΠΡΟΣΟΧΗ:

Φροντίστε ώστε να μη σταματήσει αμέσως η κοπτική κεφαλή.
Αφήστε την να επιβραδυνθεί πλήρως.

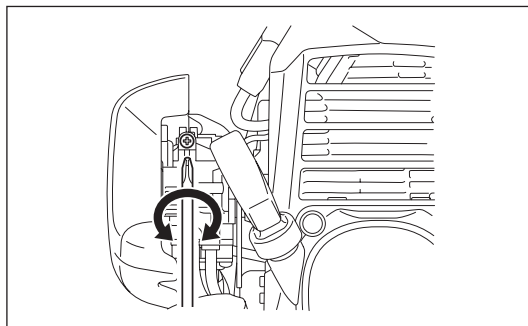


ΡΥΘΜΙΣΗ ΤΗΣ ΤΑΧΥΤΗΤΑΣ ΡΕΛΑΝΤΙ

Όταν είναι απαραίτητο να ρυθμίσετε την περιστροφή της ταχύτητας ρελαντί, εκτελέστε την από τη βίδα ρύθμισης του ρελαντί.

ΕΛΕΓΧΟΣ ΤΗΣ ΤΑΧΥΤΗΤΑΣ ΡΕΛΑΝΤΙ

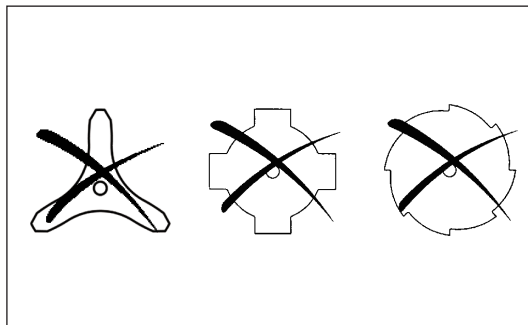
- Ρυθμίστε την ταχύτητα ρελαντί στις 2.800 min⁻¹.
Εάν είναι απαραίτητο να αλλάξετε την ταχύτητα ρελαντί, χρησιμοποιήστε ένα κατσαβίδι κεφαλής phillips πάνω στη βίδα.
- Για να αυξήσετε την ταχύτητα ρελαντί, στρίψτε δεξιόστροφα τη ρυθμιστική βίδα.
Για να μειώσετε την ταχύτητα ρελαντί, στρίψτε αριστερόστροφα τη ρυθμιστική βίδα.
- Η ρύθμιση του καρμπυρατέρ έχει γίνει στο εργοστάσιο. Ωστόσο, η χαμηλή περιστροφική ταχύτητα χρειάζεται να επαναρυθμιστεί μετά από αρκετές χρήσεις.



ΑΚΟΝΙΣΜΑ ΤΟΥ ΚΟΠΤΙΚΟΥ ΕΡΓΑΛΕΙΟΥ

ΠΡΟΣΟΧΗ: Τα κοπτικά εργαλεία που φαίνονται στην εικόνα δεν πρέπει να ακονίζονται. Η επανάληψη ακονίσματος με το χέρι θα προκαλέσει ανισορροπίες στο κοπτικό εργαλείο, οι οποίες θα προκαλέσουν δονήσεις και ζημιά στη συσκευή.

ΣΗΜΕΙΩΣΗ: Για να αυξηθεί η διάρκεια ζωής της κοπτικής λάμας μπορεί να αναποδογυριστεί μία φορά, έως ότου να αμβλυθούν και τα δύο κοπτικά άκρα.



ΝΑΪΛΟΝ ΚΟΠΤΙΚΗ ΚΕΦΑΛΗ

Η νάιλον κοπτική κεφαλή είναι μια κεφαλή κοπής διπλής μεσινέζας με μηχανισμούς πρόσκρουσης και τροφοδοσίας.
Η νάιλον κεφαλή κοπής τροφοδοτεί τη νάιλον μεσινέζα μετά την πρόσκρουση της κεφαλής κοπής στο έδαφος.

Λειτουργία

- Αυξήστε την ταχύτητα της νάιλον κοπτικής κεφαλής περίπου στις 6.000 min⁻¹. Κτυπήστε ελαφρά τη νάιλον κοπτική κεφαλή στο έδαφος.
- Η πιο αποτελεσματική περιοχή κοπής απεικονίζεται από τη σκιασμένη περιοχή.
- Εάν η νάιλον μεσινέζα δεν τροφοδοτείται, επανατυλίξτε/αντικαταστήστε τη νάιλον μεσινέζα ακολουθώντας τις διαδικασίες που περιγράφονται στην ενότητα "Αντικατάσταση της νάιλον μεσινέζας".

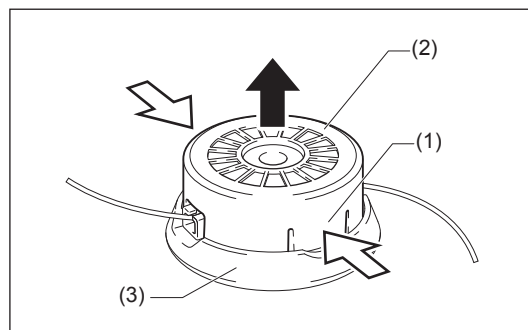


Αντικατάσταση της νάιλον μεσινέζας (ΠΡΟΣΚΡΟΥΣΗ & ΤΡΟΦΟΔΟΣΙΑ)

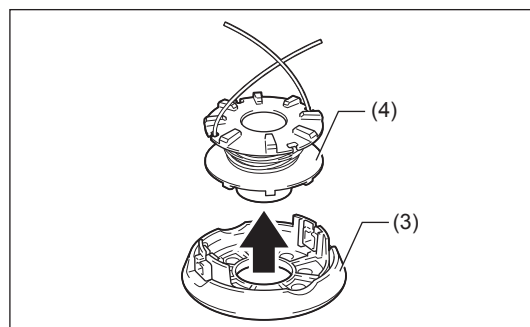
⚠ ΠΡΟΕΙΔΟΠΟΙΗΣΗ:

- Φροντίστε ώστε το κάλυμμα της νάιλον κοπτικής κεφαλής να είναι στερεωμένο κατάλληλα στη θήκη όπως περιγράφεται παρακάτω. Αν δεν ασφαλίσετε κατάλληλα το κάλυμμα, μπορεί να προκληθεί η εκτόξευση της νάιλον κοπτικής κεφαλής προκαλώντας το σοβαρό προσωπικό τραυματισμό.

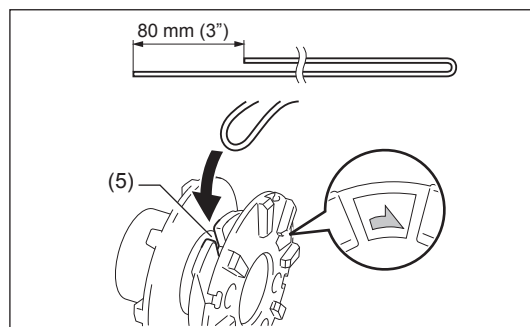
1. Πιέστε τα μάνταλα (1) στη θήκη (2) προς τα μέσα και ανασηκώστε προς τα πάνω για να αφαιρέσετε το κάλυμμα (3).



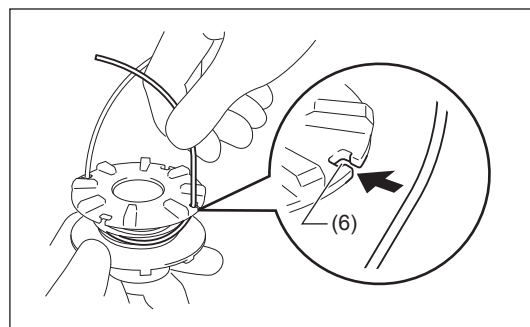
2. Απελευθερώστε τη νάιλον μεσινέζα από το οφθαλμίδιο. Και αφαιρέστε το καρούλι (4) από το κάλυμμα. Πετάξτε οποιαδήποτε υπολειπόμενη νάιλον μεσινέζα.



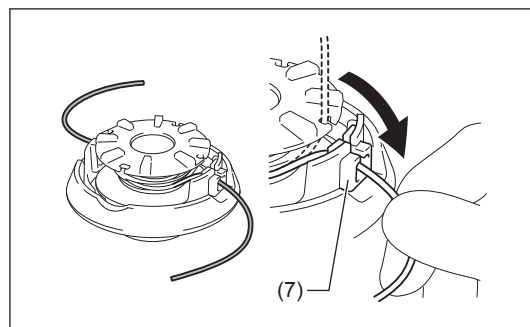
3. Αγκιστρώστε το μέσον της νέας νάιλον μεσινέζας στην εγκοπτή (5) που βρίσκεται στο κέντρο του καρουλιού μεταξύ των 2 καναλιών. Η μία πλευρά της μεσινέζας πρέπει να είναι περίπου 80 mm (3") μακρύτερη από την άλλη πλευρά. Τυλίξτε και τα δυο άκρα σταθερά γύρω από το καρούλι κατά τη διεύθυνση του σήματος του βέλους στο καρούλι.



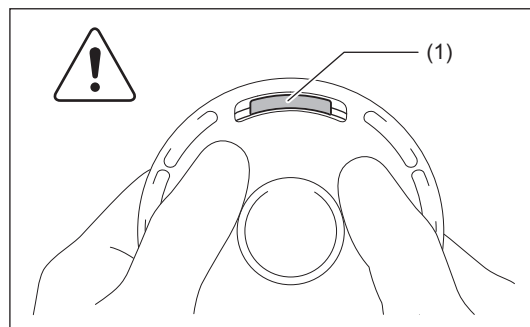
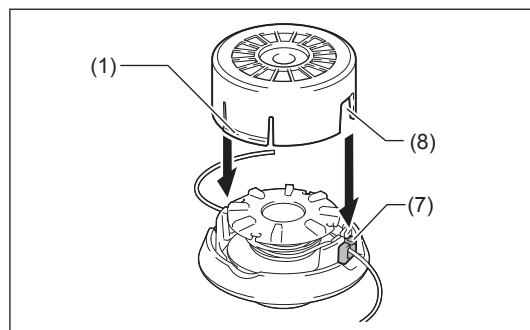
4. Τυλίξτε ολόκληρες τις μεσινέζες, αλλά αφήστε περίπου 100 mm (4"), αφήνοντας τα άκρα προσωρινά αγκιστρωμένα μέσα στις εγκοπές (6).



5. Τοποθετήστε το καρούλι μέσα στη θήκη αντιστοιχίζοντας τις εγκοπές με τα οφθαλμίδια (7). Απαγκιστρώστε τα άκρα της μεσινέζας από τις προσωρινές τους θέσεις και τροφοδοτήστε τις μεσινέζες μέσα από τα οφθαλμίδια.



6. Ευθυγραμμίστε τις τετράγωνες σχισμές (8) στη θήκη με τα οφθαλμίδα (7). Στη συνέχεια σπρώξτε τη θήκη σταθερά πάνω στο κάλυμμα για να το ασφαλίσετε. Βεβαιωθείτε ότι τα μάνταλα (1) απλώνονται πλήρως στο κάλυμμα.



ΟΔΗΓΙΕΣ ΣΕΡΒΙΣ

ΠΡΟΣΟΧΗ: Πριν κάνετε την οποιαδήποτε εργασία πάνω στη συσκευή, πάντοτε να σταματάτε τον κινητήρα και να αποσυνδέετε την πτάπα του μπουζί από το μπουζί (δείτε την ενότητα "έλεγχος του μπουζί").
Να φοράτε πάντα προστατευτικά γάντια!

Για τη διασφάλιση της μεγάλης διάρκειας ζωής και της αποφυγής ζημιών στη συσκευή, εκτελείτε κατά τακτά διαστήματα τις παρακάτω εργασίες συντήρησης.

Καθημερινός έλεγχος και συντήρηση

- Πριν τη λειτουργία, να ελέγχετε τη συσκευή για ξεσφιγμένες βίδες ή εξαρτήματα που λείπουν. Δώστε ιδιαίτερη προσοχή στο σφίξιμο της μεταλλικής λάμας ή στη νάιλον κοπτική κεφαλή.
- Πριν από τη λειτουργία, πάντοτε να ελέγχετε για την ύπαρξη βουλώματος στους αεραγωγούς ψύξης και στα πτερύγια του κυλίνδρου. Καθαρίστε τα εάν είναι απαραίτητο.
- Εκτελέστε τις παρακάτω εργασίες συντήρησης καθημερινά μετά τη χρήση:
 - Καθαρίστε εξωτερικά τη συσκευή και επιθεωρήστε τη για την ύπαρξη ζημιών.
 - Καθαρίστε το φίλτρο αέρα. Κατά την εργασία υπό συνθήκες με πολύ σκόνη, καθαρίστε το φίλτρο αρκετές φορές την ημέρα.
 - Ελέγξτε τη λάμα ή τη νάιλον κεφαλή κοπής για ζημιά και βεβαιωθείτε ότι είναι καλά στερεωμένη.
 - Ελέγξτε για να διαπιστώσετε ότι υπάρχει επαρκής διαφορά μεταξύ των ταχυτήτων του ρελαντί και της λειτουργίας και διασφαλίστε ότι το κοπτικό εργαλείο είναι σταματημένο όταν ο κινητήρας βρίσκεται στο ρελαντί (εάν είναι απαραίτητο, ελαττώστε την ταχύτητα του ρελαντί). Εάν στο ρελαντί το εργαλείο συνεχίσει να λειτουργεί, συμβουλευτείτε τον εξουσιοδοτημένο αντιπρόσωπο του σέρβις.
- Ελέγξτε για να διαπιστώσετε ότι ο διακόπτης I-O, ο μοχλός απεμπλοκής, ο μοχλός γκαζιού, και το κουμπί ασφάλισης λειτουργούν σωστά.

ΚΑΘΑΡΙΣΜΟΣ ΦΙΛΤΡΟΥ ΑΕΡΑ



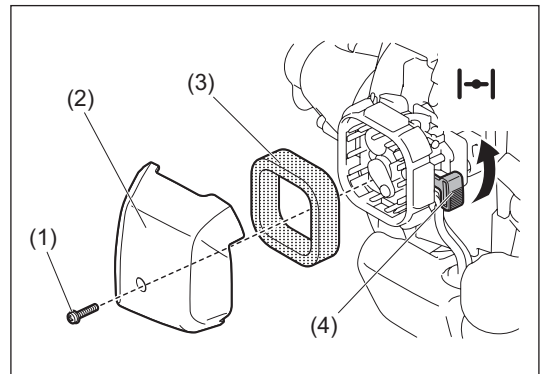
ΠΡΟΕΙΔΟΠΟΙΗΣΗ: Σβήστε τον κινητήρα, να είστε μακριά από τις γυμνές φλόγες και να μην καπνίζετε.

Χρονικό διάστημα καθαρισμού και επιθεώρησης: Καθημερινά (κάθε 10 ώρες λειτουργίας)

- Στρέψτε το μοχλό του σοκ (4) στην πλήρως κλειστή πλευρά και κρατήστε το καρμπυρατέρ καθαρό από βρωμιά ή σκόνη.

Αφαίρεση του καλύμματος του φίλτρου αέρα

- Αφαιρέστε τη βίδα (1), και αφαιρέστε το κάλυμμα του φίλτρου αέρα (2).



Καθαρισμός στοιχείου

- Αφαιρέστε τα στοιχεία (3) και χτυπήστε τα για να αφαιρέσετε τη βρωμιά.
- Για μεγάλη ρύπανση:
Αφαιρέστε το στοιχείο του σπόγγου, πλύντε το με απορρυπαντικό διαλυμένο σε νερό και στεγνώστε το εντελώς.
- Μετά το στέγνωμα του στοιχείου βυθίστε το μέσα σε λάδι δίχρονου κινητήρα και στη συνέχεια στύψτε το για να απομακρυνθεί το παραπανίσιο λάδι.
- Πριν από την προσάρτηση του στοιχείου του σπόγγου, βεβαιωθείτε ότι το λάδι έχει εφαρμοστεί ομοιόμορφα πάνω στο στοιχείο. Η περίσσεια λαδιού μπορεί να κάνει δύσκολή την εκκίνηση.
- Σκουπίστε με ένα παλιό ύφασμα το λάδι που έχει κολλήσει πάνω στο κάλυμμα του φίλτρου αέρα.

Τοποθέτηση του καλύμματος του φίλτρου αέρα

- Μετά από τον καθαρισμό, επιστρέψτε το στοιχείο του σπόγγου. Αφαιρέστε το κάλυμμα του φίλτρου αέρα. Και κατόπιν στερεώστε το με τη βίδα.

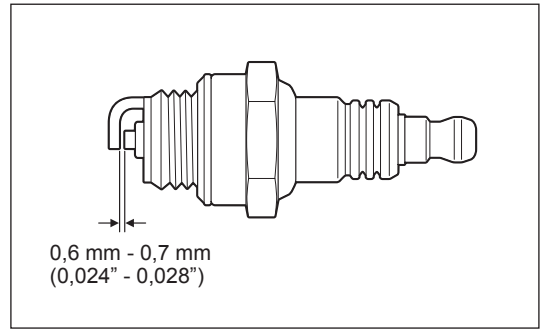
ΕΙΔΟΠΟΙΗΣΗ:

- Εάν υπάρχει υπερβολική σκόνη ή βρωμιά κολλημένη στο φίλτρο αέρα, να το καθαρίζετε καθημερινά. Τα βρώμικα στοιχεία μειώνουν την ισχύ του κινητήρα και δυσχεραίνουν την εκκίνηση του κινητήρα.
- Αφαιρέστε το λάδι από τα στοιχεία. Εάν συνεχιστεί η λειτουργία με τα στοιχεία να παραμένουν βρώμικα από λάδι, το λάδι από το φίλτρο αέρα μπορεί να πέσει έξω προκαλώντας ρύπανση του περιβάλλοντος.
- Μην τοποθετείτε τα στοιχεία στο έδαφος ή σε βρώμικο χώρο. Αλλιώς μαζεύουν βρωμιά ή θραύσματα και μπορεί να προκληθεί βλάβη στον κινητήρα.
- Ποτέ να μη χρησιμοποιείτε καύσιμο για τον καθαρισμό των στοιχείων. Το καύσιμο μπορεί να προκαλέσει τη βλάβη τους.

ΕΛΕΓΧΟΣ ΤΟΥ ΜΠΟΥΖΙ

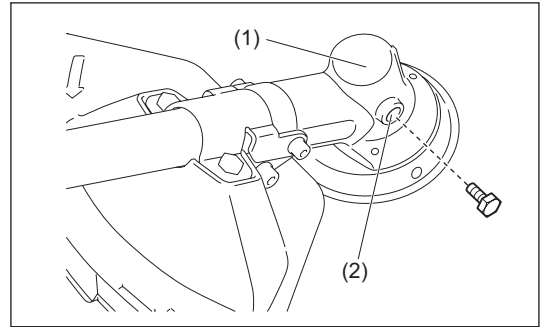
- Χρησιμοποιήστε μόνο το παρεχόμενο κλειδί γενικής χρήσης για την αφαίρεση ή την τοποθέτηση του μπουζί.
 - Το διάκενο μεταξύ των δυο ηλεκτροδίων του μπουζί πρέπει να είναι 0,6 - 0,7 mm (0,024" - 0,028"). Διορθώστε το διάκενο εάν είναι πολύ μεγάλο ή μικρό. Εάν το μπουζί είναι βουλωμένο ή ρυπαρό, καθαρίστε το καλά ή αντικαταστήστε το.
- Τοποθετήστε σωστά το κάλυμμα του μπουζί όπως φαίνεται μετά τον έλεγχο.

ΠΡΟΣΟΧΗ: Ποτέ να μην αγγίζετε το σύνδεσμο του μπουζί καθώς λειτουργεί ο κινητήρας (υπάρχει κίνδυνος ηλεκτροπληξίας από την υψηλή τάση).



ΓΡΑΣΑΡΙΣΜΑ ΤΟΥ ΚΙΒΩΤΙΟΥ ΤΑΧΥΤΗΤΩΝ

- Βάζετε γράσο (Shell Alvania 2 ή ισοδύναμο) στο κιβώτιο ταχυτήτων (1) μέσα από την τρύπα του γράσου (2) κάθε 30 ώρες. (Το αυθεντικό γράσο DOLMAR μπορεί να αγοραστεί από τον αντιπρόσωπο της DOLMAR.)



ΚΑΘΑΡΙΣΜΑ ΦΙΛΤΡΟΥ ΚΑΥΣΙΜΟΥ

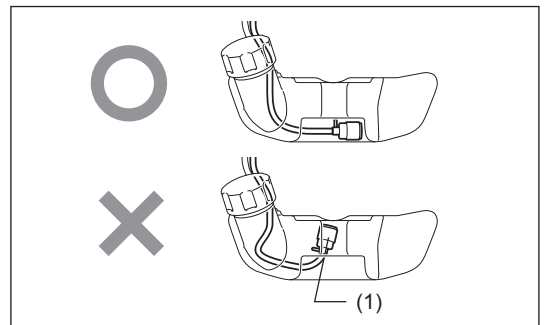
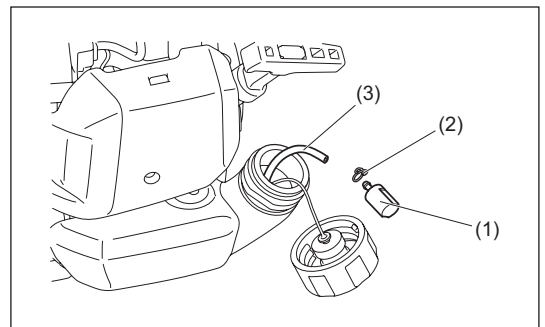
ΠΡΟΕΙΔΟΠΟΙΗΣΗ: ΟΙ ΕΥΦΛΕΚΤΕΣ ΟΥΣΙΕΣ ΑΠΑΓΟΡΕΥΟΝΤΑΙ ΑΥΣΤΗΡΩΣ

Διάστημα επιθεώρησης: Μηνιαία (κάθε 50 ώρες λειτουργίας)

Κεφαλή αναρρόφησης στο ρεζερβουάρ καυσίμου

Ελέγξτε περιοδικά το φίλτρο καυσίμου (1). Για να ελέγξετε το φίλτρο καυσίμου, ακολουθήστε τα παρακάτω βήματα:

1. Αφαιρέστε την τάπα του ρεζερβουάρ καυσίμου και αποστραγγίστε το καύσιμο για να αδιάσετε το ρεζερβουάρ. Ελέγξτε το εσωτερικό του ρεζερβουάρ για τυχόν ξένα υλικά. Εάν υπάρχουν, αφαιρέστε τα.
2. Χρησιμοποιήστε ένα συρματένιο άγκιστρο και τραβήξτε έξω την κεφαλή αναρρόφησης μέσα από το άνοιγμα του ρεζερβουάρ.
3. Εάν το φίλτρο καυσίμου έχει βουλώσει ελαφρώς, καθαρίστε το. Για να το καθαρίσετε, ανακινήστε το μαλακά και χτυπήστε το ελαφρά στο καύσιμο. Για την αποφυγή ζημιάς, μην το πιέσετε και μην το τρίψετε. Το καύσιμο που χρησιμοποιείται για τον καθαρισμό πρέπει να απορρίπτεται σύμφωνα με τη μέθοδο που καθορίζεται από τους κανονισμούς της χώρας σας. Εάν το φίλτρο καυσίμου έχει σκληρύνει ή βουλώσει πολύ, αντικαταστήστε το.
4. Μετά τον έλεγχο, το καθάρισμα ή την αντικατάσταση, εισαγάγετε το φίλτρο καυσίμου μέσα στο σωλήνα καυσίμου (3) και στερεώστε το με τον σφιγκτήρα του εύκαμπτου σωλήνα (2). Σπρώξτε το φίλτρο καυσίμου μέχρι τέρμα στο κάτω μέρος του ρεζερβουάρ καυσίμου.



Το βουλωμένο ή φθαρμένο φίλτρο καυσίμου μπορεί να προκαλέσει ανεπαρκή τροφοδοσία καυσίμου και να μειώσει την ισχύ του κινητήρα. Αντικαταστήστε το φίλτρο καυσίμου τουλάχιστον κάθε τρεις μήνες για να εξασφαλίσετε την ικανοποιητική τροφοδοσία καυσίμου στο καρμπυρατέρ.

ΑΝΤΙΚΑΤΑΣΤΑΣΗ ΤΟΥ ΣΩΛΗΝΑ ΚΑΥΣΙΜΟΥ

ΠΡΟΣΟΧΗ: ΟΙ ΕΥΦΛΕΚΤΕΣ ΟΥΣΙΕΣ ΑΠΑΓΟΡΕΥΟΝΤΑΙ ΑΥΣΤΗΡΩΣ

Χρονικό διάστημα καθαρισμού και επιθεώρησης: Καθημερινά (κάθε 10 ώρες λειτουργίας)

Αντικατάσταση: Ετήσια (κάθε 200 ώρες λειτουργίας)

Αντικαταστήστε τον σωλήνα καυσίμου (1) κάθε χρόνο, ανεξάρτητα από τη συχνότητα χρήσης. Η διαρροή καυσίμου μπορεί να οδηγήσει στην πυρκαγιά. Εάν ανιχνευτεί η οποιαδήποτε διαρροή κατά την επιθεώρηση, αντικαταστήστε αμέσως τη σωλήνα καυσίμου.

ΕΠΙΘΕΩΡΗΣΗ ΜΠΟΥΛΟΝΙΩΝ, ΠΑΞΙΜΑΔΙΩΝ ΚΑΙ ΒΙΔΩΝ

- Σφίξτε ξανά τα χαλαρά μπουλόνια, παξιμάδια κτλ.
- Ελέγξτε το σφίξιμο της τάπας καυσίμου και της τάπας λαδιού. Ελέγξτε την περίπτωση διαρροής καυσίμου και λαδιού.
- Αντικαταστήστε τα φθαρμένα εξαρτήματα με καινούργια για μια ασφαλή λειτουργία.

ΚΑΘΑΡΙΣΜΟΣ ΕΞΑΡΤΗΜΑΤΩΝ

- Πάντοτε να διατηρείτε τον κινητήρα καθαρό καθαρίζοντάς τον με ένα πανί.
- Καθαρίστε τα πτερύγια του κυλίνδρου από σκόνη ή βρωμιά. Η κολλημένη σκόνη ή βρωμιά στα πτερύγια θα προκαλέσει το σφηνώμα του πιστονιού.

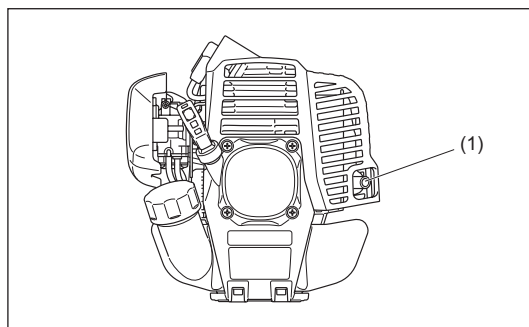
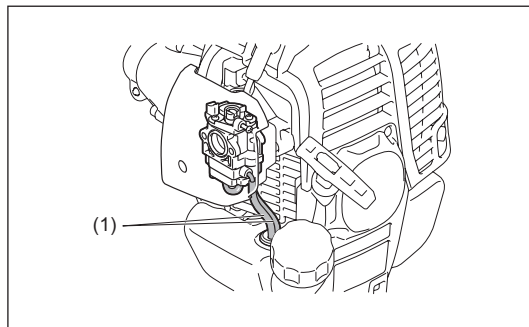
ΑΝΤΙΚΑΤΑΣΤΑΣΗ ΦΛΑΝΤΖΩΝ ΚΑΙ ΣΤΟΙΧΕΙΩΝ ΣΥΝΑΡΜΟΛΟΓΗΣΗΣ

Αντικαταστήστε τις φλάντζες και τα στοιχεία συναρμολόγησης εάν έχει αποσυναρμολογηθεί ο κινητήρας.

Η οποιαδήποτε εργασία συντήρησης που δεν συμπεριλαμβάνεται και δεν περιγράφεται σε αυτό το εγχειρίδιο θα πρέπει να εκτελείται μόνο από τους εξουσιοδοτημένους αντιπροσώπους του σέρβις.

ΚΑΘΑΡΙΣΜΟΣ ΤΗΣ ΕΞΟΔΟΥ ΕΞΑΤΜΙΣΗΣ ΤΟΥ ΣΙΓΑΣΤΗΡΑ

- Ελέγχετε τακτικά την έξοδο εξάτμισης του σιγαστήρα (1).
- Εάν είναι βουλωμένη με κατακάλια άνθρακα, αφαιρέστε προσεκτικά τα κατακάλια ξύνοντάς τα με ένα κατάλληλο εργαλείο.



ΑΠΟΘΗΚΕΥΣΗ



ΠΡΟΕΙΔΟΠΟΙΗΣΗ: Ο κινητήρας είναι ακόμη ζεστός αμέσως μετά το σταμάτημα του κινητήρα. Κατά την αποστράγγιση του καυσίμου, αφήστε αρκετό χρόνο ώστε να κρυώσει ο κινητήρας αφού σταματήσει. Αλλιώς μπορεί να προκληθεί έγκαυμα στο δέρμα ή/και φωτιά.

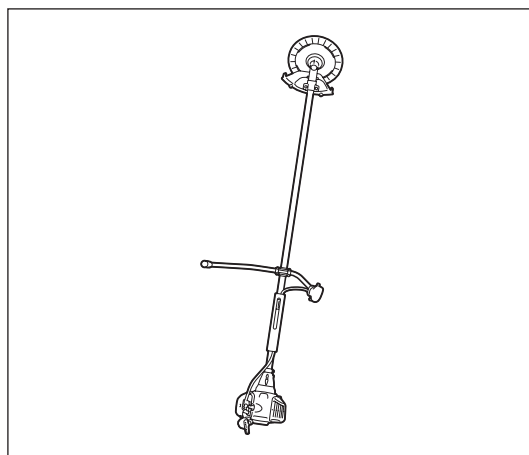


ΚΙΝΔΥΝΟΣ: Όταν το μηχάνημα μένει εκτός λειτουργίας για μεγάλο χρονικό διάστημα, αποστραγγίστε όλο το καύσιμο από το ρεζερβουάρ καυσίμου και το καρμπυρατέρ, και στη συνέχεια φυλάξτε το σε ένα ξηρό και καθαρό μέρος.

- Αποστραγγίστε το καύσιμο από το ρεζερβουάρ καυσίμου και το καρμπυρατέρ σύμφωνα με την παρακάτω διαδικασία:

- 1) Αφαιρέστε την τάπα του ρεζερβουάρ καυσίμου και αποστραγγίστε εντελώς το καύσιμο.
Εάν υπάρχει το οποιοδήποτε ξένο σώμα μέσα στο ρεζερβουάρ καυσίμου, αφαιρέστε το εντελώς.
- 2) Τραβήξτε έξω το φίλτρο καυσίμου από την τρύπα ανεφοδιασμού χρησιμοποιώντας ένα σύρμα.
- 3) Σπρώξτε την αντλία προέγχυσης έως ότου αποστραγγιστεί το καύσιμο από εκεί και το αποστραγγισμένο καύσιμο να μπει μέσα στο ρεζερβουάρ καυσίμου.
- 4) Τοποθετήστε το φίλτρο στο ρεζερβουάρ καυσίμου, και σφίξτε καλά την τάπα του ρεζερβουάρ καυσίμου.
- 5) Κατόπιν, συνεχίστε να θέσετε σε λειτουργία τον κινητήρα έως ότου σταματήσει.

- Αφαιρέστε το μπουζί και ρίξτε αρκετές σταγόνες λαδιού κινητήρα μέσα στην τρύπα του μπουζί.
- Τραβήξτε με προσοχή το χερούλι του εκκινητήρα έτσι ώστε το λάδι του κινητήρα να απλωθεί πάνω από τον κινητήρα και συνδέστε το μπουζί.
- Τοποθετήστε το κάλυμμα στη μεταλλική λάμα.
- Σε γενικές γραμμές, αποθηκεύστε το μηχάνημα σε οριζόντια θέση. Εάν αυτό δεν είναι δυνατόν, τοποθετήστε το μηχάνημα έτσι ώστε η μονάδα του κινητήρα να βρίσκεται κάτω από το κοπτικό εργαλείο. Σε διαφορετική περίπτωση το λάδι του κινητήρα μπορεί να διαρρεύσει από το εσωτερικό.
- Διατηρήστε το αποστραγγισμένο καύσιμο μέσα σε ένα ειδικό δοχείο σε ένα καλά αεριζόμενο χώρο υπό σκιά.



Χρόνος λειτουργίας		Πριν τη λειτουργία	Μετά τον ανεφοδιασμό καυσίμου	Καθημερινά (10 ώρες)	30 ώρες	50 ώρες	200 ώρες ή 1 έτος, όποιο από τα δύο προκύψει συντομότερα	Πριν από την αποθήκευση	Αντίστοιχη Σ
Σφίξιμο εξαρτημάτων (μπουλόνι, παξιμάδι)	Επιθεώρηση	○							188
Ρεζερβουάρ καυσίμου	Καθάρισμα	○							—
	Αποστράγγιση καυσίμου							○*2	188
Μοχλός γκαζιού	Έλεγχος λειτουργίας		○						—
Διακόπτης στάσης	Έλεγχος λειτουργίας		○						186
Κοπτικό εργαλείο	Επιθεώρηση	○		○					178
Ταχύτητα ρελαντί	Επιθεώρηση/ ρύθμιση			○					183
Φίλτρο αέρα	Καθάρισμα			○					186
Μπουζί	Επιθεώρηση			○					187
Αεραγωγοί ψύξης και πτερύγια κυλίνδρου	Καθάρισμα/ επιθεώρηση			○					188
Σωλήνας καυσίμου	Επιθεώρηση			○					188
	Αντικατάσταση						⊙*1		—
Γράσο κιβωτίου ταχυτήτων	Ανεφοδιασμός				○				187
Σιγαστήρας	Επιθεώρηση/ Καθάρισμα του ανοίγματος				○				—
Φίλτρο καυσίμου	Καθάρισμα/ αντικατάσταση					○			187
Καρμπυρατέρ	Αποστράγγιση καυσίμου							○*2	188

*1 Για την επιθεώρηση των 200 ωρών, απευθυνθείτε σε ένα εξουσιοδοτημένο αντιπρόσωπο του σέρβις ή σε ένα συνεργείο.

*2 Μετά το άδειασμα του ρεζερβουάρ καυσίμου, συνεχίστε τη λειτουργία του κινητήρα για την αποστράγγιση του καυσίμου στο καρμπυρατέρ.

ΕΠΙΛΥΣΗ ΠΡΟΒΛΗΜΑΤΩΝ

Πριν ζητήσετε βοήθεια για επισκευές, ελέγξτε το πρόβλημα μόνοι σας. Εάν βρεθεί κάποια ανωμαλία, χειριστείτε το μηχανήμα σας σύμφωνα με τα όσα περιγράφονται σε αυτό το εγχειρίδιο. Ποτέ μην παραβιάσετε ή αποσυναρμολογήσετε το οποιοδήποτε εξάρτημα ενάντια σε όσα περιγράφονται. Για επισκευές, ελάτε σε επαφή με τον εξουσιοδοτημένο αντιπρόσωπο του σέρβις ή την τοπική αντιπροσωπεία.

Κατάσταση προβλήματος	Πιθανή αιτία (δυσλειτουργία)	Αποκατάσταση
Ο κινητήρας δεν ξεκινά.	Ο διακόπτης I - O είναι ρυθμισμένος στο STOP.	Τοποθετήστε το διακόπτη I-O στη θέση START.
	Αστοχία λειτουργίας της αντλίας προέγχυσης.	Σπρώξτε 7 με 10 φορές.
	Χαμηλή ταχύτητα τραβήγματος του κορδονιού του εκκινήτρηρα.	Τραβήξτε δυνατά.
	Έλλειψη καυσίμου.	Προσθέστε καύσιμο.
	Λανθασμένη θέση του τσοκ.	Ρυθμίστε στο "ΚΛΕΙΣΤΟ" (εν ψυχρώ εκκίνηση). Ρυθμίστε στο "ΑΝΟΙΚΤΟ" (θερμή εκκίνηση).
	Βουλωμένο φίλτρο καυσίμου.	Αντικατάσταση.
	Λυγισμένος ή μπλοκαρισμένος σωλήνας καυσίμου.	Ισιώστε ή αντικαταστήστε το σωλήνα καυσίμου.
	Αλλοιωμένο καύσιμο.	Το αλλοιωμένο καύσιμο καθιστά την εκκίνηση πιο δύσκολη. Αντικαταστήστε με καινούργιο καύσιμο. (Συνιστώμενη αντικατάσταση: 1 μήνας)
	Υπερβολική αναρρόφηση καυσίμου.	Τοποθετήστε το μοχλό του γκαζιού από τη μεσαία ταχύτητα στην υψηλή ταχύτητα και τραβήξτε το χερούλι του εκκινήτρηρα έως ότου να ξεκινήσει ο κινητήρας. Μόλις ξεκινήσει ο κινητήρας, το κοπτικό εργαλείο αρχίζει να περιστρέφεται. Δώστε μεγάλη προσοχή στο κοπτικό εργαλείο. Εάν ο κινητήρας εξακολουθεί να μην ξεκινά, αφαιρέστε το μπουζί, στεγνώστε το ηλεκτρόδιο, και επανασυναρμολογήστε τα στην αρχική τους θέση. Στη συνέχεια, ξεκινήστε όπως έχει καθοριστεί προηγουμένως.
	Αποσυνδεδεμένο καπάκι του μπουζί.	Συνδέστε καλά.
	Ρυπαρό μπουζί.	Καθαρίστε.
	Μη φυσιολογικό διάκενο του μπουζί.	Ρυθμίστε το διάκενο.
	Μη φυσιολογικό μπουζί.	Αντικαταστήστε.
	Μη φυσιολογικό καρμπυρατέρ.	Ζητήστε επιθεώρηση και συντήρηση.
Το κορδόνι του εκκινήτρηρα δεν μπορεί να τραβηχτεί, ή δεν γίνεται αισθητή καμία συμπίεση.	Ζητήστε επιθεώρηση και συντήρηση.	
Μη φυσιολογικό ηλεκτρικό σύστημα/σύστημα οδήγησης. (Σφάλμα στο διακόπτη I-O, σφάλμα στην καλωδίωση, σφάλμα στο σύνδεσμο, κτλ)	Ζητήστε επιθεώρηση και συντήρηση.	
Ο κινητήρας σταματά σύντομα. Η ταχύτητα του κινητήρα δεν αυξάνεται.	Ανεπαρκές ζέσταμα.	Εκτελέστε τη λειτουργία προθέρμανσης.
	Ο μοχλός του τσοκ είναι τοποθετημένος στο "ΚΛΕΙΣΤΟ" παρότι έχει ζεσταθεί ο κινητήρας	Τοποθετήστε στο "ΑΝΟΙΚΤΟ".
	Χαμηλή ταχύτητα ρελαντί.	Ρυθμίστε την ταχύτητα
	Βουλωμένο φίλτρο καυσίμου.	Αντικαταστήστε.
	Ρυπαρό ή βουλωμένο φίλτρο αέρα.	Καθαρίστε ή αντικαταστήστε.
	Μη φυσιολογικό καρμπυρατέρ.	Ζητήστε επιθεώρηση και συντήρηση.
	Σιγαστήρας εξάτμισης. (βουλωμένο, κτλ.)	Ζητήστε επιθεώρηση και συντήρηση.
	Μη φυσιολογικό ηλεκτρικό σύστημα/σύστημα οδήγησης.	Ζητήστε επιθεώρηση και συντήρηση.
Η μεταλλική λάμα δεν περιστρέφεται ↓ Σταματήστε τον κινητήρα αμέσως	Ξεσφιγμένο το παξιμάδι σύσφιξης της μεταλλικής λάμας.	Σφίξτε καλά.
	Κλαδάκια πιάστηκαν από τη μεταλλική λάμα ή από το κάλυμμα αποτροπής διασποράς.	Αφαιρέστε τα ξένα σώματα.
	Μη φυσιολογικό σύστημα μετάδοσης.	Ζητήστε επιθεώρηση και συντήρηση.
Η κύρια μονάδα υφίσταται ανώμαλη δόνηση. ↓ Σταματήστε τον κινητήρα αμέσως	Σπασμένη, λυγισμένη ή φθαρμένη μεταλλική λάμα.	Αντικαταστήστε τη μεταλλική λάμα.
	Ξεσφιγμένο το παξιμάδι σύσφιξης της μεταλλικής λάμας.	Σφίξτε καλά.
	Μετατόπιση του κυρτού τμήματος της μεταλλικής λάμας και του υποστηρικτικού εξαρτήματος της μεταλλικής λάμας.	Συνδέστε καλά.
Η μεταλλική λάμα δεν σταματά αμέσως. ↓ Σταματήστε τον κινητήρα αμέσως	Μη φυσιολογικό σύστημα μετάδοσης.	Ζητήστε επιθεώρηση και συντήρηση.
	Υψηλή ταχύτητα ρελαντί.	Ρυθμίστε την ταχύτητα του ρελαντί.
	Αποσυνδεδεμένο καλώδιο γκαζιού.	Συνδέστε καλά.
Ο κινητήρας δεν σταματά. ↓ Θέστε σε λειτουργία τον κινητήρα στο ρελαντί και τοποθετήστε τον μοχλό του τσοκ στο ΚΛΕΙΣΤΟ	Μη φυσιολογικό σύστημα μετάδοσης.	Ζητήστε επιθεώρηση και συντήρηση.
	Αποκολλημένος σύνδεσμος.	Συνδέστε καλά.
	Μη φυσιολογικό ηλεκτρικό σύστημα.	Ζητήστε επιθεώρηση και συντήρηση.

- Όταν ο κινητήρας δεν ξεκινά μετά την λειτουργία προθέρμανσης:
Εάν δεν υπάρχει καμιά ανωμαλία στα σημεία ελέγχου, ανοίξτε το γκάζι περίπου στο 1/3 και ξεκινήστε τον κινητήρα.
- Εάν υπάρχουν ανωμαλίες διαφορετικές από εκείνες που εμφανίζονται σε αυτόν τον πίνακα, επικοινωνήστε με τον εξουσιοδοτημένο αντιπρόσωπο του σέρβις.

Bu DOLMAR ürününü satın aldığınız için teşekkür ederiz. Uzun bir geliştirme programının ve yılların bilgi ve birikiminin bir sonucu olarak ortaya çıkan bu DOLMAR ürününü sizlere sunmaktan mutluluk duyuyoruz. Makinenin üstün performansta kullanılması için birçok konuyla ilgili ayrıntılı bilgilerin bulunduğu bu kılavuzu lütfen dikkatlice okuyun. Bu kılavuz, DOLMAR ürününden mümkün olan en iyi sonuçları almanıza yardımcı olacaktır.

**İçindekiler****Sayfa**

Simgeler	191
Güvenlik talimatları	192
Teknik veriler	196
Parçaların gösterimi	197
Kolun takılması	198
Koruyucunun takılması	199
Kesici parçanın takılması	200
Kullanılabilir yakıtlar/yakıt doldurma	201
Makinenin doğru taşınması ve tutulması	202
Çalıştırma ve durdurmayla ilgili uyarılar	203
Kesici parçanın bilenmesi	204
Servis talimatları	207
Saklama	209
Sorun giderme	211

SİMGELER

Bu kullanım kılavuzunu okurken karşılaşılabileceğiniz simgeler aşağıda açıklanmıştır.

	Kullanım kılavuzunu okuyun ve uyarı ve güvenlik önlemlerini dikkate alın!		İnsanları ve evcil hayvanları çalışma alanından uzak tutun!
	Gerekli önlemleri alın ve dikkatli olun!		Koruyucu baret, gözlük ve kulaklık kullanın!
	Yasak!		İzin verilen maksimum makine devri
	Mesafe bırakın!		Yakıt ve yağ karışımı
	Sıçrayan yabancı madde tehlikesi!		Motorun manuel çalıştırılması
	Geri tepme!		Acil durdurma
	Sigara içmek yasaktır!		İlk Yardım
	Açık alev yasaktır!		AÇIK/ÇALIŞTIRMA
	Mutlaka koruyucu eldiven takılmalıdır!		KAPALI/DURDURMA
	Altı kaymayan sağlam ayakkabılar giyin. Çelik uçlu güvenlik ayakkabıları tavsiye edilir!		KISMA KİLİDİ KONUMU

GÜVENLİK TALİMATLARI

Genel Talimatlar

- Makinenin nasıl çalıştırılacağını öğrenmek için bu kullanım kılavuzunu okuyun. Yetersiz bilgiye sahip kullanıcılar, yanlış kullanım neticesinde hem kendilerini, hem de başkalarını tehlikeye atarlar.
- Bu makinenin yalnızca deneyimli kişilere verilmesi önerilir. Her zaman kullanım kılavuzunu da makineyle birlikte verin.
- Makineyi ilk defa kullanacak olanlar, yan tırpanı tanıtması ve nasıl kullanılacağı konusunda temel bilgiler vermesi için satıcısına danışmalıdır.
- Çocuklar ve 18 yaşının altındaki gençlerin bu makineyi kullanmasına kesinlikle izin verilmemelidir. 16 yaşının üzerindeki gençler bu makineyi deneyimli bir eğitmenin gözetiminde yalnızca eğitim amacıyla kullanabilir.
- Bu makineyi çok dikkatli ve titiz bir şekilde kullanın.
- Bu makineyi yalnızca fiziksel olarak iyi durumdayken çalıştırın. Tüm işlerinizi sakın ve dikkatli bir şekilde yürütün. Başkalarının sorumluluğu da kullanıcı üzerindedir.
- Bu makineyi kesinlikle alkol, uyuşturucu veya ilaç kullandıktan sonra veya kendinizi yorgun veya hasta hissediyorsanız kullanmayın.
- Bazı ulusal yönetmelikler makinenin kullanımını kısıtlayabilir.

Makinenin amaçlanan kullanımı

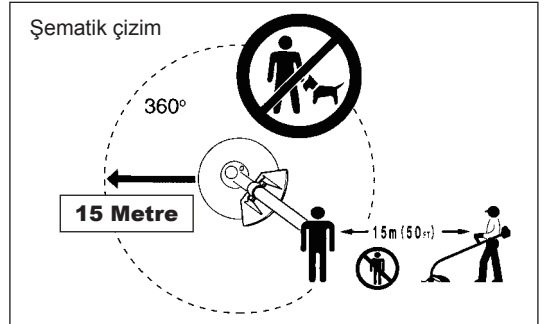
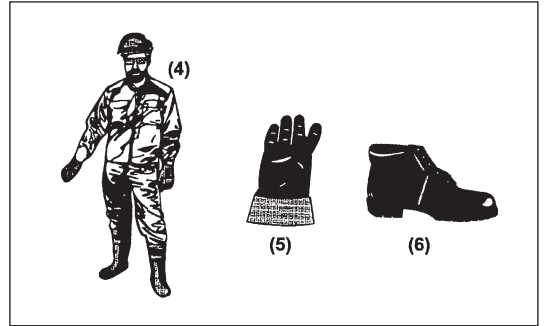
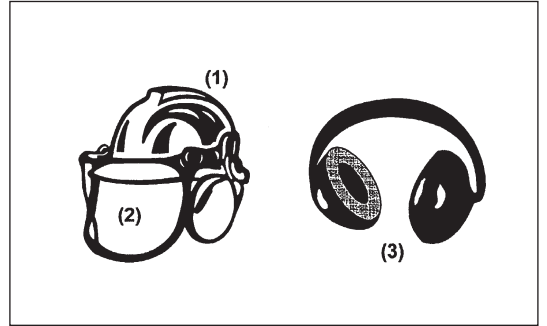
- Bu makine yalnızca çim, dal, çalı ve ağaçların altındaki küçük bitkilerin kesilmesi için tasarlanmıştır. Bu makine kesinlikle kenar kesimi veya çit budama gibi başka bir amaçla kullanılmamalıdır, aksi takdirde yaralanmalar meydana gelebilir.

Kişisel koruyucu ekipmanlar

- Kullanım sırasında giyilen kıyafetler işlevsel ve uygun olmalıdır, yani bol veya hareket kabiliyetini sınırlandıracak kadar dar olmamalıdır. Çalılara, fundalara ve makineye takılabileceğinden takı kullanmayın ve bol kıyafetler giymeyin.
- Baş, göz, el ve ayak yaralanmalarını önlemek ve kulaklarınızı korumak için, bu makinenin çalıştırılması sırasında aşağıdaki koruyucu ekipmanlar ve koruyucu kıyafetler kullanılmalıdır.
- Üzerinize bir şey düşme riski varsa mutlaka koruyucu baret takın. Koruyucu baret (1), olası hasarlara karşı düzenli aralıklarla kontrol edilmeli ve en geç 5 yılda bir değiştirilmelidir. Yalnızca onaylı koruyucu baretleri kullanın.
- Koruyucu baretin siperliği (2) (veya alternatif olarak koruyucu gözlükler) yüzünüzü sıçrayan yabancı madde ve taşlara karşı koruyacaktır. Çalışma sırasında mutlaka koruyucu gözlük veya yüz koruyucu kullanın.
- Olası duyma bozukluklarını önlemek için koruyucu kulaklık (3), kulak tıkacı vs. gibi gürültüye karşı koruyucu ekipmanlar kullanın.
- İş önlüğü (4) sizi sıçrayan taşlara ve yabancı maddelere karşı koruyacaktır. Kullanıcının iş önlüğü giymesi şiddetle tavsiye edilir.
- Eldiven (5) koruyucu ekipmanlardan biridir ve çalışma sırasında mutlaka takılmalıdır.
- Makineyi kullanırken, daima altı kaymayan sağlam ayakkabılar (6) giyin. Böylece, yere sağlam basabilir ve olası yaralanmaları önleyebilirsiniz.

Yan tırpanın çalıştırılması

- 15 metrelik (50 fit) çalışma alanı içerisinde insanların ve özellikle de çocukların bulunmadığından emin olun. Ayrıca, çalışma alanının çevresindeki hayvanlara da dikkat edin.
- Çalışmaya başlamadan önce, makinenin güvenli çalıştığını kontrol edin: Kesici parçanın güvenli olduğunu, kısma mandalının kolay çalıştığını ve kısma mandalı kilidinin işlevini doğru şekilde yerine getirdiğini kontrol edin.
- Kesici parçanın rölanti hızında hareket etmesi kabul edilemeyecek bir durumdur. Şüphelendiğiniz ayarlar hakkında satıcınıza danışın. Kolların temiz ve kuru olduğunu kontrol edin ve başlatma/durdurma düğmesinin çalışmasını test edin.

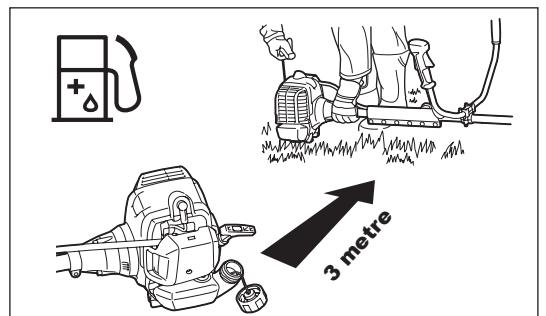
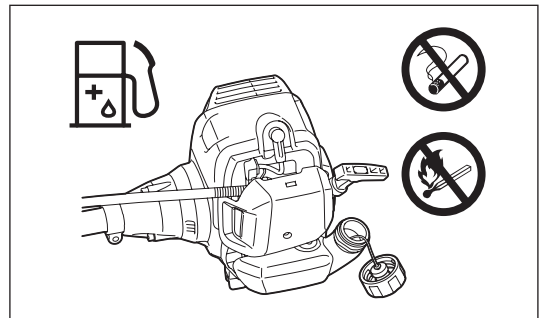
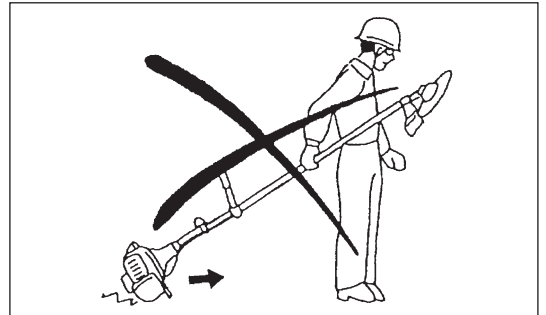
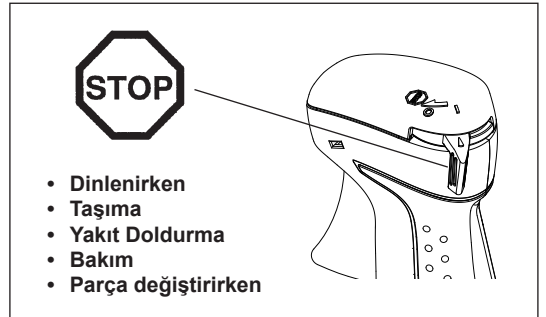
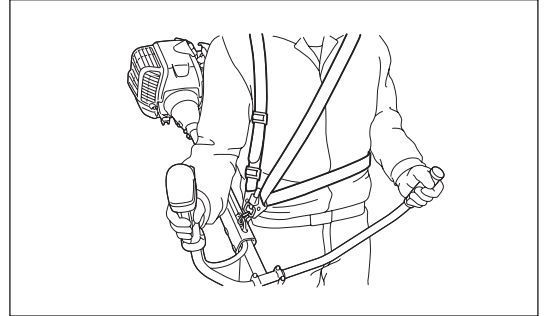
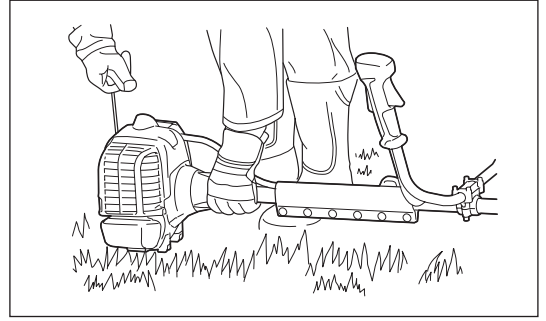


Yan tırpanı mutlaka talimatlara uygun olarak çalıştırın.

- Motoru çalıştırmak için başka bir yöntem kullanmayın!
- Yan tırpanı ve parçalarını yalnızca belirtilen uygulamalarda kullanın.
- Motoru yalnızca montaj ve kurulum işlemleri eksiksiz tamamlandıktan sonra çalıştırın. Makinenin çalıştırılmasına yalnızca tüm gerekli aksesuarlar takıldıktan sonra izin verilmelidir!
- Makineyi kullanmaya başlamadan önce, kesici parçanın dal, taş vb. gibi sert cisimlere temas etmediğinden emin olun, aksi takdirde çalıştırma sırasında kesici parça dönecektir.
- Herhangi bir motor probleminde motoru derhal durdurun.
- Kesici parçanın taşa veya benzeri sert bir cisme çarpması halinde, derhal motoru durdurun ve kesici parçayı kontrol edin.
- Kesici parçada hasar olup olmadığını sık ve düzenli olarak kontrol edin (tıklatma-gürültü testi kullanılarak kılcal çatlaklar tespit edilebilir).
- Kesici ağır bir darbe alırsa veya düşerse, çalışmaya devam etmeden önce durumunu kontrol edin. Yakıt kaçağı olup olmadığını tespit etmek için yakıt sistemini ve arıza olup olmadığını tespit etmek için kontrol ve güvenlik cihazlarını kontrol edin. Herhangi bir hasar veya şüphelendiğiniz bir durum varsa, yetkili servis merkezimize kontrol ve onarım talebinde bulunun.
- Yan tırpanı yalnızca omuz askısı takılıyken çalıştırın ve çalıştırmadan önce omuz askısının doğru şekilde ayarlandığını kontrol edin. Kullanım sırasında yorgunluğa veya ağrıya neden olmaması için omuz askısının kullanıcıya göre ayarlanması çok önemlidir. Makineyi kesinlikle kullanım sırasında tek elle tutmayın.
- Kullanım sırasında yan tırpanı daima iki elinizle birden tutun. Her zaman yere sağlam ve dengeli basın.
- Makineyi egzoz gazlarını solumayacak şekilde çalıştırın. Makineyi kesinlikle kapalı ortamlarda çalıştırmayın (gaz zehirlenmesi riski). Karbon monoksit kokusuz bir gazdır.
- İnsanların veya makinenin zarar görmesini önlemek için, dinlenirken veya makinenin başından ayrılırken motoru durdurun ve güvenli bir yere kaldırın.
- Yan tırpanı sıcakken kesinlikle kuru otların veya tutuşabilir maddelerin üzerine bırakmayın.
- Motoru çalıştırmadan önce mutlaka makineye onaylı kesici parça muhafazasını takın. Aksi takdirde, kesici parçaya temas edilmesi durumunda ciddi yaralanmalar meydana gelebilir.
- Çalıştırma sırasında, makineyle birlikte verilen tüm koruyucu ekipmanlar ve muhafazalar kullanılmalıdır.
- Çıkış susturucusu arızalı bir motoru kesinlikle çalıştırmayın.
- Makineyi taşıırken motoru kapalı konuma getirin.
- Makineyi taşıırken mutlaka metal bıçağın kapağını takın.
- Araçla taşıırken, olası yakıt kaçaqlarını önlemek için makinenin güvenli şekilde yerleştirildiğinden emin olun.
- Nakliye öncesi, yakıt deposunun tamamen boş olduğundan emin olun.
- Makineyi kamyonundan indirirken, Motoru yere düşürmemeye çalışın, aksi takdirde yakıt deposu ciddi şekilde hasar görebilir.
- **Acil durumlar dışında makineyi kesinlikle yere atmayın veya bırakmayın; aksi takdirde makine ciddi şekilde hasar görebilir.**
- Makineyi taşıırken kesinlikle sürmemeniz gerektiğini unutmayın. Yakıt deposunun yere sürünmesi çok tehlikelidir ve yakıt deposunun hasar görmesine, yakıt kaçağına ve hatta yangına yol açabilir.
- Egzoz susturucusuna temas etmekten kaçınınız. Çalışma sırasında çok ısınır.
- Motoru tutuşabilir sıvıların, gazların ve tozların bulunduğu patlayıcı ortamlarda kullanmayın. Motor, tozları veya gazları tutuşturabilecek kıvılcımlar çıkarır.

Yakıt doldurma

- Yakıt doldururken motoru kapatın, makineyi açık alevlerden uzaklaştırın ve sigara içmeyin.
- Madeni yağ ürünlerinin cildinize temas etmesine izin vermeyin. Yakıt buharını solumayın. Yakıt doldururken daima koruyucu eldiven takın. Koruyucu kıyafetlerinizi düzenli aralıklarla değiştirin ve temizleyin.
- Toprağın kirlenmesini önlemek (çevreyi korumak) için yakıt veya yağ dökülmemesine dikkat edin. Yakıt dökülürse, yan tırpanı derhal temizleyin.
- Yakıtın kıyafetlerinize bulaşmasına izin vermeyin. Yakıt dökülürse (kıyafetlerinizin tutuşmaması için) kıyafetlerinizi derhal değiştirin.
- Yakıt kapağının sağlam şekilde kapandığından ve yakıt kaçırmadığından emin olmak için düzenli aralıklarla kontrol edin.
- Yakıt deposu kapağını dikkatlice sıkın. Motoru çalıştırmak için yerinizi değiştirin (yakıt doldurduğunuz yerden en az 3 metre uzağa gitmelisiniz).
- Kesinlikle kapalı odalarda yakıt doldurmayın. Yakıt buharı zemin seviyesinde birikebilir (patlama riski).
- Yakıtları yalnızca onaylı kaplarda taşıyın ve saklayın. Saklanan yakıtta çocukların erişemeyeceğinden emin olun.



Çalıştırma yöntemi

- Makineyi yalnızca iyi aydınlatılan ve görüşün açık olduğu yerlerde kullanın. Kış mevsiminde kaygan veya ıslak alanlara, buz ve kara dikkat edin (kayma riski). Her zaman yere sağlam ve dengeli basın.
- Asla bel hizanızın üzerinde kesim yapmayın.
- Kesinlikle merdiven üzerinde çalışmayın.
- Kesim yapmak üzere ağaca çıkmayın.
- Dengesiz zeminler üzerinde kesinlikle çalışmayın.
- Çalışma alanı içerisinde bulunan kum, taş, çivi vs. gibi yabancı maddeleri temizleyin. Yabancı maddeler, kesici parçaya zarar verebilir ve kesici parçanın tehlikeli şekilde geri tepmesine neden olabilir.
- Kesim işlemine başlamadan önce, kesici parçanın tam çalışma hızına ulaşmasını bekleyin.
- Metal bıçaklar kullanırken, sanki el tırpanı kullanıyormuş gibi makineyi sağdan sola doğru eşit olarak yardım daire şeklinde hareket ettirin. Kesici parça ile muhafaza arasına ot veya dal sıkışması durumunda, temizlemeye başlamadan önce mutlaka motoru durdurun. Aksi takdirde, bıçağın kazara dönmesi ciddi yaralanmalara neden olabilir.
- Yorgunluk nedeniyle kontrolünüzü kaybetmemek için düzenli olarak mola verin. Her saat başı 10 ila 20 dakika mola vermenizi öneririz.

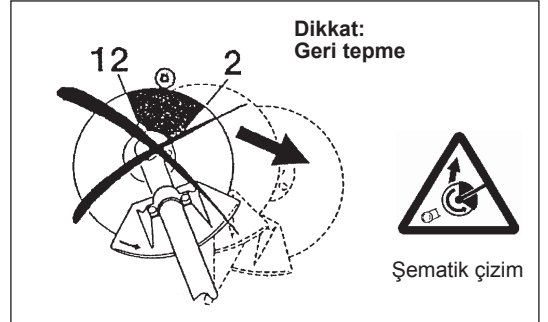


Kesici Parçalar

- Gerçekleştireceğiniz iş için uygun kesici parçayı kullanın. Misinalı kesim başlıkları (misinalı tırpan başlıkları) çimlerin tırpanlanması için uygundur. Metal bıçaklar ise dalların, yüksek çimlerin, çalılıarın, fundaların, ağaç altındaki küçük bitkilerin vb. kesilmesi için uygundur. Birbirine bağlı metal zincirlerden meydana gelen ve tek bıçaklı parçalar da dahil kesinlikle başka bıçak kullanmayın. Aksi takdirde, ciddi yaralanmalar meydana gelebilir.
- Metal bıçaklar kullanırken, “geri tepme” oluşmamasına dikkat edin ve kazara oluşabilecek geri tepme durumlarına karşı daima hazırlıklı olun. “Geri tepme” bölümüne bakın.

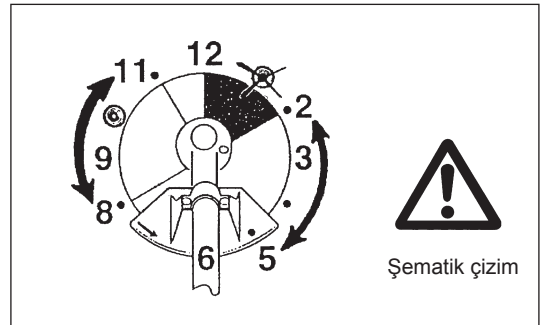
Geri tepme (bıçak baskısı)

- Geri tepme (bıçak baskısı), takılan veya sıçrayan metal bıçağa verilen ani bir tepkidir. Geri tepme meydana geldiğinde, makine yana veya operatöre doğru büyük bir kuvvetle sıçrar ve ciddi yaralanmalara neden olabilir.
- Geri tepme özellikle bıçağın saat 12 ila saat 2 arasında kalan bölümünün çapı 3 cm veya daha geniş olan sert cisimlere, çalılara ve ağaçlara uygulanması sonucunda meydana gelir.
- Geri tepmeyi önlemek için:
 - Bıçağın saat 8 ila saat 11 arasında kalan bölümünü kullanın.
 - Kesinlikle bıçağın saat 12 ila saat 2 arasında kalan bölümünü kullanmayın.
 - Operatör eğitilmiş ve deneyimli değilse, kesinlikle bıçağın saat 11 ila saat 12 ve saat 2 ila saat 5 arasında kalan bölümlerini kullanmayın. Bıçağın bu bölümlerinin kullanılması tamamen operatörün risk ve sorumluluğundadır.
 - Metal bıçakları kesinlikle çit, duvar, ağaç kütükleri ve taşlar vb. gibi sert cisimlerin yakınında kullanmayın.
 - Metal bıçakları kenar kesimi veya çit budama vb. gibi işlemler için düşey olarak kullanmayın.



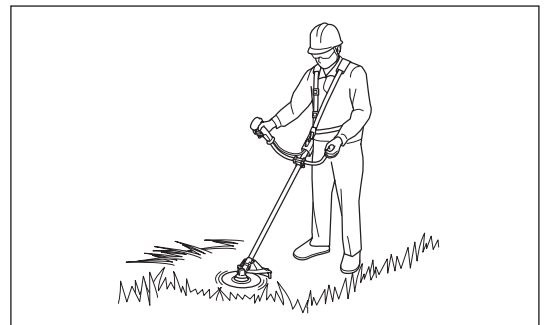
Titreşim

- Kan dolaşımı zayıf olan kişilerin aşırı titreşime maruz kalması, damarların veya sinir sisteminin zarar görmesine yol açabilir. Titreşim parmaklarda, ellerde ve bileklerde şu semptomlara neden olabilir: “Uyuşma” (hissizlik), karıncalanma, ağrı, batma hissi, cilt renginin veya cildin değişmesi. Bu semptomlardan herhangi biri ortaya çıkarsa, doktora başvurun!
- “Beyaz parmak hastalığı” riskini düşürmek için, çalışma sırasında ellerinizi sıcak tutun ve makine ve aksesuarların bakımını gerektiği şekilde gerçekleştirin.



Bakım talimatları

- Makinenizin servisinin daima yetkili servis merkezimizde yalnızca orijinal yedek parçalar kullanılarak yapılmasını sağlayın. Yanlış onarımlar ve bakım makinenin ömrünün kısılmasına ve kaza risklerinin artmasına yol açabilir.
- Çalışmaya başlanılmadan önce makinenin, özellikle de kesici parça koruyucu aletlerinin ve omuz askısının durumu kontrol edilmelidir. Özellikle metal bıçakların doğru şekilde bilendiği dikkatlice kontrol edilmelidir.
- Kesici parçaları değiştirirken veya bilerken ve ayrıca ataşmanı veya kesici parçayı temizlerken mutlaka motoru durdurun ve buji konektörünü çıkartın.



Hasarlı kesici parçaları kesinlikle düzleştirmeye çalışmayın veya kaynak yapmayın.

- Çevreye duyarlı olun. Kirliliğin ve gürültü emisyonunun azaltılması için kısma mandalını gereksiz yere kullanmaktan kaçının. Karbüratörü doğru şekilde ayarlayın.
- Makineyi düzenli aralıklarla temizleyin ve tüm vida ve somunlarının sağlam şekilde sıkıldığından emin olun.
- Çıplak alevlerin yakınında kesinlikle makineyi çalıştırmayın veya servis çalışması yapmayın.
- Makineyi daima yakıt deposu boşaltıldıktan sonra kilitli odalarda muhafaza edin.
- Makinenin temizlenmesi, servisi ve muhafaza edilmesi sırasında mutlaka metal bıçağın kapağını takın.



İlgili ticaret birlikleri ve sigorta şirketleri tarafından belirtilen kaza önleme talimatlarını dikkate alın. Güvenliğinizi riske atmamak için, makinede kesinlikle değişiklik yapmayın.

Kullanıcı tarafından gerçekleştirilecek bakım veya onarım çalışmaları yalnızca bu kullanım kılavuzunda açıklanan işlemlerle sınırlıdır. Diğer tüm çalışmalar Yetkili Servis Personeli tarafından gerçekleştirilecektir. Yalnızca DOLMAR tarafından üretilen ve tedarik edilen orijinal yedek parçaları ve aksesuarları kullanın.

Onaylanmamış aksesuar ve parçaların kullanılması kaza riskini artırır.

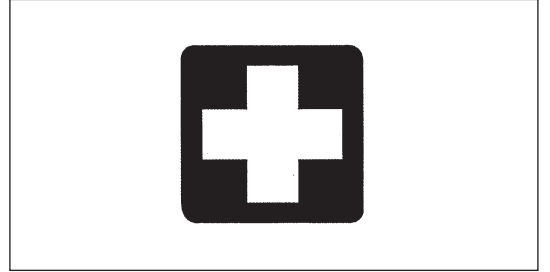
DOLMAR, onaylanmamış kesici parçaların kullanımından ve cihaz, kesici parça veya aksesuarların takılmasından kaynaklanabilecek kaza ve hasarlardan dolayı sorumluluk kabul etmeyecektir.

İlk Yardım

Bir kaza durumuna karşı ilk yardım çantasının kesim çalışmasının yapıldığı yere yakın olduğundan emin olun. İlk yardım kutusundan bir şey alındığında derhal yerine yenisini koyun.

Yardım isterken, lütfen şu bilgileri verin:

- Kazanın yeri
- Ne olduğu
- Yaralı kişi sayısı
- Yaralanma tipi
- Adınız



Yalnızca Avrupa ülkeleri için

AT Uygunluk Beyanı

Makita aşağıdaki Makine(ler) ile ilgili şu hususları beyan eder:

Makinenin Adı: Benzinli Yan Tırpan

Model Numarası/Tipi: MS-34 U, MS-34 C

Şu Avrupa Yönergelerine uygundur:

2000/14/EC, 2006/42/EC

Şu standartlara veya standartlaştırılmış belgelere uygun olarak üretilmiştir:

EN ISO 11806-1

2006/42/EC'ye uygun Teknik dosyaya şu adresten ulaşılabilir:

Makita, Jan-Baptist Vinkstraat 2, 3070, Belçika

2000/14/EC sayılı Direktif tarafından istenen uygunluk değerlendirme prosedürü, Ek V'e uygundur.

MS-34 U (Misinalı kesim başlıklı):

Ölçülen Ses Gücü Düzeyi: 109,1 dB

Garanti Edilen Ses Gücü Düzeyi: 110 dB

MS-34 U (Kesici bıçaklı):

Ölçülen Ses Gücü Düzeyi: 105,8 dB

Garanti Edilen Ses Gücü Düzeyi: 106 dB

MS-34 C (Misinalı kesim başlıklı):

Ölçülen Ses Gücü Düzeyi: 110,4 dB

Garanti Edilen Ses Gücü Düzeyi: 112 dB

MS-34 C (Kesici bıçaklı):

Ölçülen Ses Gücü Düzeyi: 105,9 dB

Garanti Edilen Ses Gücü Düzeyi: 107 dB

6. 6. 2014

Yasushi Fukaya

Müdür

Makita, Jan-Baptist Vinkstraat 2, 3070, Belçika

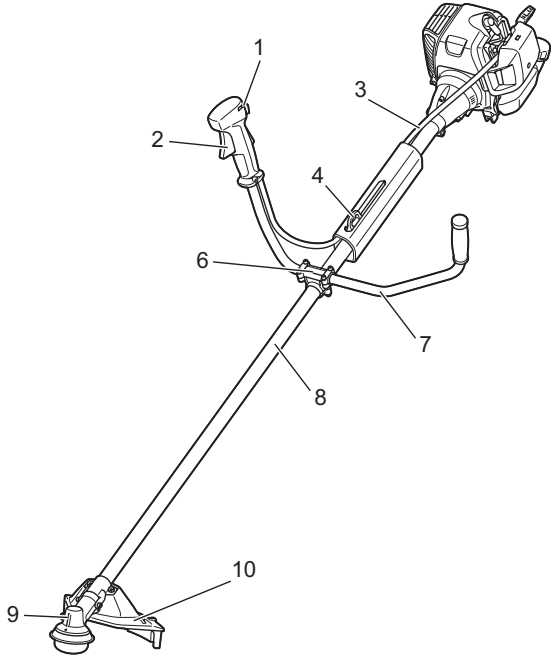
TEKNİK VERİLER

Model			MS-34 U	MS-34 C			
Kol tipi			Bisiklet gidonu		Yuvarlak kol		
Boyutlar: uzunluk x genişlik x yükseklik (kesici parça hariç)			mm	1.815 x 650 x 435		1.815 x 330 x 270	
Ağırlık (kesici parça muhafazası ve kesici parça hariç)			kg	6,4		6,2	
Hacim (yakıt deposu)			L	0,75			
Motor hacmi			cm ³	34,0			
Maksimum motor performansı			kW	7.000 dak ⁻¹ 'de 1,15			
Önerilen maks. mil devrinde motor devri			dak ⁻¹	10.000			
Maksimum mil devri (karşılık gelen)			dak ⁻¹	6.800			
Rölanti devri			dak ⁻¹	2.800			
Kavrama devri			dak ⁻¹	4.100			
Karbüratör			tipi	WALBLO WYJ			
Buji			tipi	NGK BPMR7A			
Elektrot boşluğu			mm	0,6 - 0,7			
				MİSİNALI KESİM BAŞLIĞI	METAL BIÇAK	MİSİNALI KESİM BAŞLIĞI	METAL BIÇAK
ISO 22867'ye göre titreşim	Sağ kol (Arka sap)	a_{hv} eş	m/sn ²	4,1	4,0	4,6	4,3
		Belirsizlik (K)	m/sn ²	1,0	0,5	2,0	1,0
	Sol kol (Ön sap)	a_{hv} eş	m/sn ²	4,4	4,3	5,5	5,4
		Belirsizlik (K)	m/sn ²	1,8	1,2	1,4	1,0
ISO 22868'e göre ortalama ses basıncı seviyesi		L_{PA} eş	dB	95,0	92,7	95,9	91,3
		Belirsizlik (K)	dB	2,5	0,7	1,0	1,1
ISO 22868'e göre ortalama ses gücü seviyesi		L_{WA} eş	dB	109,1	105,8	110,4	105,9
		Belirsizlik (K)	dB	1,0	0,4	1,6	0,8
Karışım oranı (Yakıt: DOLMAR 2 zamanlı yağ)				50 : 1			
Kesici parçalar (kesici bıçak çapı)			mm	255 (4 dişli bıçakla)			
Dişli oranı				13/19			

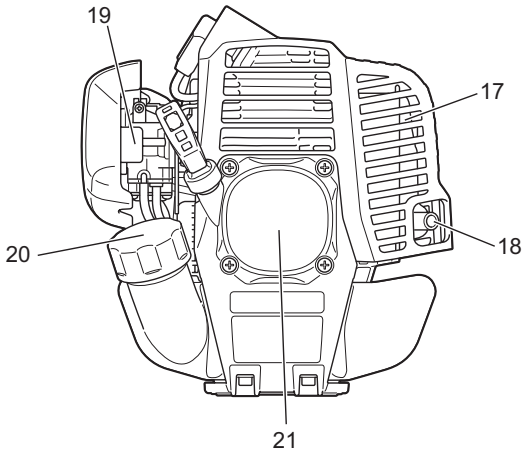
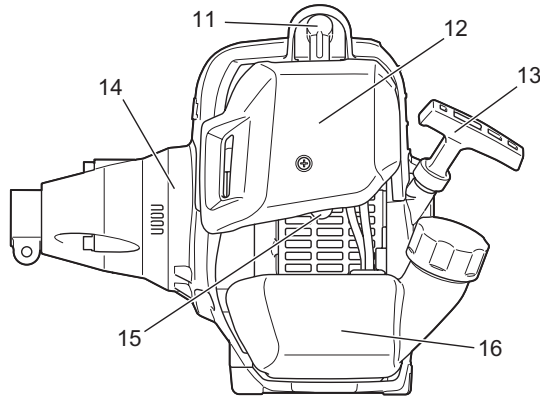
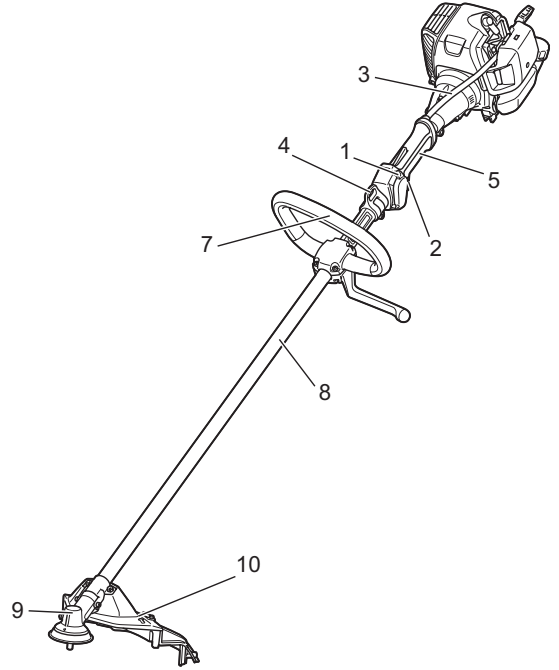
- Sürekli yapılan araştırma ve geliştirmelerden dolayı, burada belirtilen özellikler önceden bildirilmeksizin değiştirilebilir.
- Özellikler ülkeden ülkeye farklılıklar gösterebilir.

PARÇALARIN GÖSTERİMİ

MS-34 U



MS-34 C



PARÇALARIN GÖSTERİMİ	
1	Açma/kapama düğmesi (açık/kapalı)
2	Gaz mandalı
3	Kontrol kablosu
4	Askı
5	Arka sap
6	Kol yuvası
7	Kol
8	Şaft
9	Dişli kutusu
10	Koruyucu (Kesici parça muhafazası)
11	Buji
12	Hava temizleyici
13	Marş kolu
14	Kavrama kutusu
15	Ana pompa
16	Yakıt deposu
17	Egzoz susturucusu
18	Egzoz borusu
19	Jikle kolu
20	Yakıt deposu kapağı
21	Manuel marş

KOLUN TAKILMASI

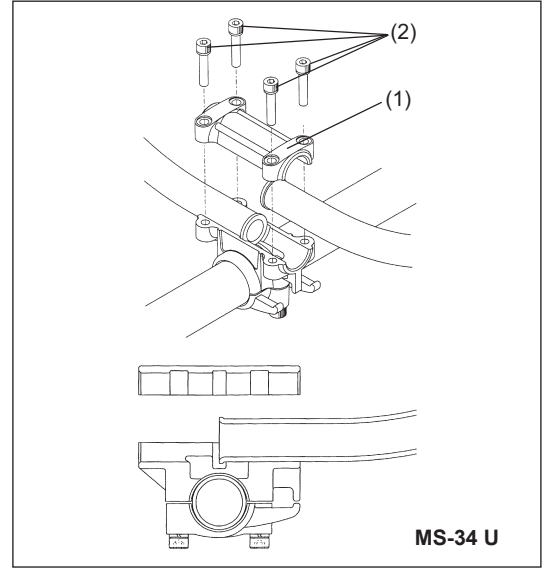
DİKKAT: Makine üzerinde herhangi bir çalışma yapmadan önce, mutlaka motoru durdurun ve buji üzerindeki buji konektörünü çıkartın.

Daima koruyucu eldiven takın!

DİKKAT: Motoru yalnızca doğru şekilde monte ettikten sonra çalıştırın.

Bisiklet gidonu modelleri için

- Kolu, gaz mandalının bulunduğu kol yuvası sağ tarafa (sağ elle tutulacaktır) ve diğer kol yuvası sol tarafa gelecek şekilde yerleştirin.
- Kolun ucunu kol yuvası boşluğuna yerleştirin ve kol yuvasının üst bölümünü (1) dört adet M5 x 25 cıvata (2) ile geçici olarak sabitleyin.
- Kolu kolay kontrol edilebileceği bir konuma ayarlayın ve ardından sağ ve sol taraftaki cıvataları (2) eşit şekilde sıkın.



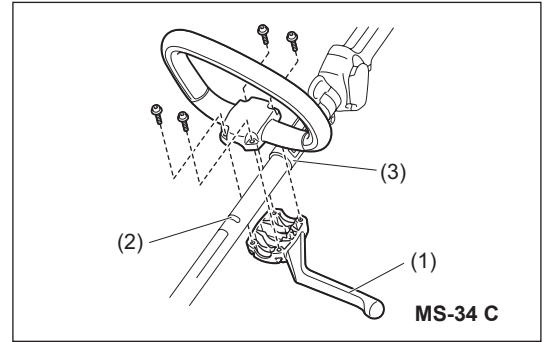
Yuvarlak kol modelleri için

- Operatörün güvenliği için, bariyeri (1) kolla birlikte makinenin sol tarafına sabitleyin.
- Sap/bariyer tertibatının, ara parça ile ok işareti (2) arasına takıldığından emin olun.

⚠ UYARI: Ara parçayı (3) çıkarmayın veya sıkıştırmayın. Ara parça, iki kol arasında belirli bir mesafe kalmasını sağlar. Kavrama/bariyer tertibatının diğer kavramaya ara parça uzunluğundan daha yakın ayarlanması, kontrol kaybına ve ciddi yaralanmalara neden olabilir.

NOT:

- Bazı ülkelerde ara parça ürünle birlikte verilmez. Bu durumda sap/bariyer tertibatını ok işaretleri arasına takın.

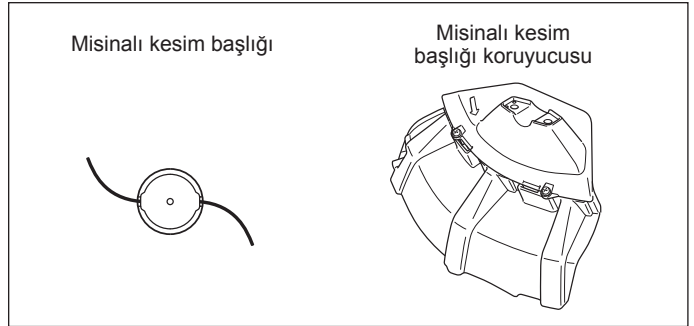
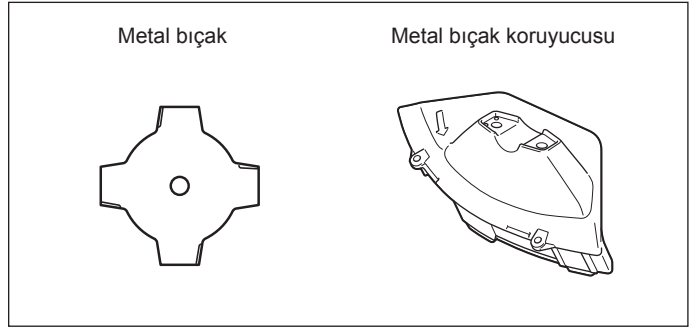


KORUYUCUNUN TAKILMASI

İlgili güvenlik şartlarının sağlanması için, yalnızca tabloda belirtilen makine/koruyucu kombinasyonları kullanılmalıdır.

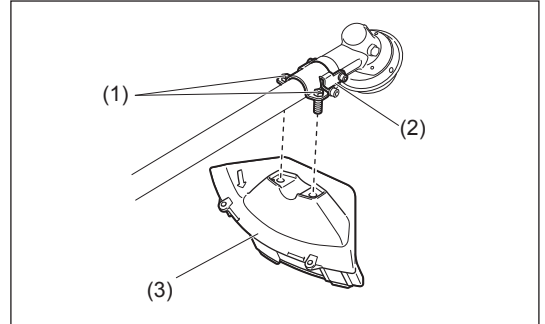
DİKKAT: Kaza önleme yönetmeliklerinin yerine getirilmesi ve kendi güvenliğiniz için mutlaka uygun koruyucu takılmalıdır. Makinenin, muhafazası takılmadan çalıştırılmasına kesinlikle izin verilmemelidir.

NOT: Standart kesici parça kombinasyonu ülkeden ülkeye değişir.



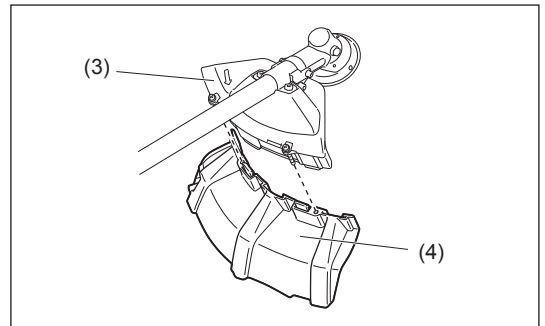
– Metal bıçak kullanılacaksa, koruyucuyu (3) iki adet cıvata (1) ile kelepçeye (2) sabitleyin.

NOT: Sağ ve sol cıvataları, kelepçe (2) ile koruyucu (3) arasında sabit bir boşluk kalacak şekilde eşit biçimde sıkın. Aksi takdirde, koruyucu işlevini gerektiği şekilde yerine getiremeyebilir.



– Misinalı kesim başlığı kullanılacaksa, metal bıçak koruyucusuna (3) misinalı kesim başlığı koruyucusunun (4) takıldığından emin olun.

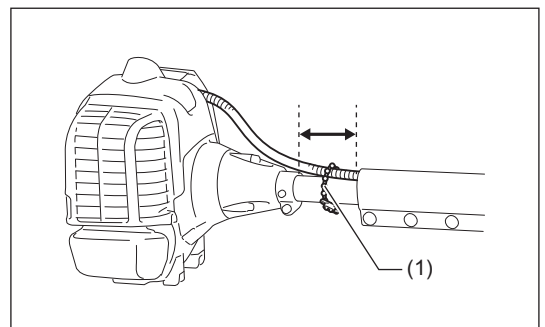
DİKKAT: Misinanın kesilmesi için kullanılan kesiciyle kendinizi yaralamamaya dikkat edin.



(Yalnızca MS-34 U modeli için)

Sıkıştırma bandının takılması

Sıkıştırma bandını (1) şekilde gösterilen alana takarak kontrol kablosunu ve şaftı sabitleyin.



KESİCİ PARÇANIN TAKILMASI

Orijinal DOLMAR metal bıçaklar veya misinalı kesim başlığı kullanıldığında emin olun.

- Metal bıçak mutlaka doğru şekilde temizlenmeli ve çatlak veya kırık içermemelidir. Metal bıçak çalışma sırasında bir taşa çarparsa, derhal motoru durdurun ve bıçağı kontrol edin.
- Her üç saatlik çalışma sonrasında metal bıçağı temizleyin veya değiştirin.
- Misinalı kesim başlığı çalışma sırasında taş vb. gibi sert bir cisme çarparsa, derhal motoru durdurun ve misinalı kesim başlığını kontrol edin.

DİKKAT: Kaza önleme yönetmeliklerinin yerine getirilmesi ve kendi güvenliğiniz için mutlaka uygun koruyucu takılmalıdır.

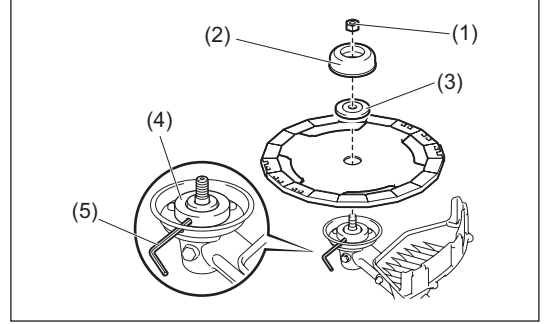
Makinenin, muhafazası takılmadan çalıştırılmasına kesinlikle izin verilmemelidir.

Kesici bıçağın dış çapı mutlaka 255 mm (10") veya daha kısa olmalıdır. Dış çapı 255 mm'nin (10") üzerinde olan bıçakları kesinlikle kullanmayın.

DİKKAT: Çalıştırma öncesinde kesici parçanın sağlam şekilde sabitlendiğinden emin olun.

Makineyi baş aşağı çevirdikten sonra metal bıçağı veya misinalı kesim başlığını kolayca değiştirebilirsiniz.

- Alyan anahtarını (5) dişli kutusundaki delikten sokun ve Alyan anahtarıyla alıcı pulu (4) kilitlemeye kadar çevirin.
- Somunu (1) (sol tarafı dişlidir) lokma anahtarıyla gevşetin ve somunu (1), kapağı (2) ve kelepçe pulunu (3) çıkartın.

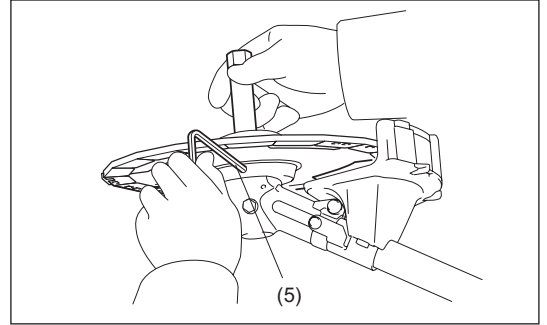


Metal bıçağın Alyan anahtarıyla (5) yerine sabitlenmesi

- Metal bıçağı, alıcı pulun (4) çıkıntılı kısmı metal bıçak üzerindeki deliğe tam oturacak şekilde şafta takın. Kelepçe pulunu (3) ve kapağı (2) takın ve metal bıçağı somunu (1) sıkarak sabitleyin.
[Sıkma torku: 13 - 23 N-m]

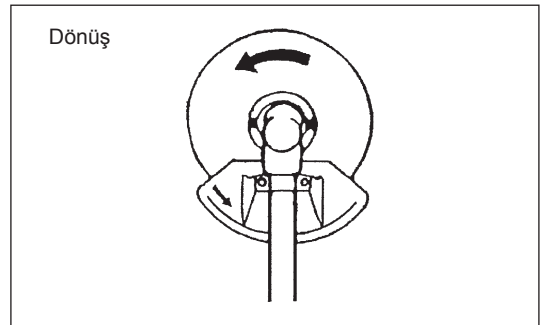
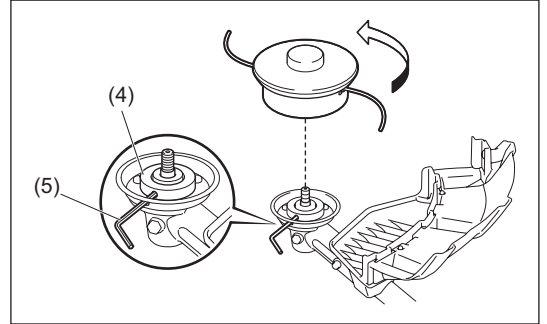
NOT: Metal bıçağı tutarken mutlaka eldiven takın.

NOT: Metal bıçak tespit somunu (yaylı pulla birlikte) aşınabilir bir parçadır. Yaylı pul üzerinde herhangi bir aşınma veya deformasyon tespit ederseniz, somunu değiştirin.



Misinalı kesim başlığının takılması

- Misinalı kesim başlığının takılması için kelepçe puluna (3), kapağa (2) ve somuna (1) gerek yoktur. Misinalı kesim başlığı, alıcı pulu (4) üzerine gelmelidir.
- Alyan anahtarını (5) dişli kutusundaki delikten sokun ve Alyan anahtarıyla alıcı pulu (4) kilitlemeye kadar çevirin.
- Ardından, misinalı kesim başlığını saat yönünün tersine çevirerek şafta vidalayın.
- Alyan anahtarını (5) çıkartın.



KULLANILABİLİR YAKITLAR/YAKIT DOLDURMA

Petrol ürünlerinin kullanımı

Yakıt kullanımı sırasında çok dikkatli olunmalıdır. Yakıtlar, çözücülere benzer maddeler içerebilir. Yakıt doldurma işlemini iyi havalandırılan bir yerde veya dışarıda gerçekleştirin. Yakıt buharını solumayın ve yakıtın veya yağın cildinize temas etmesine izin vermeyin.

Madeni yağ ürünleri cildinizi tahriş eder. Bu maddelerin uzun süre tekrar tekrar cildinize teması halinde, çeşitli cilt hastalıkları meydana gelebilir. Ayrıca, alerjik reaksiyonların oluştuğu da bilinmektedir. Yağa, yakıtta vs. temas etmesi halinde gözde tahriş meydana gelebilir.

Yağın gözlerinize temas etmesi halinde, gözlerinizi derhal temiz suyla yıkayın. Gözlerinizdeki tahriş devam ederse, derhal bir doktora başvurun.

Yakıt ve yağ karışımı

Yan tırpan motoru yüksek verimli bir iki zamanlı motordur.

Yakıt ve iki zamanlı motor yağı karışımıyla çalışır. Motor, minimum oktan değeri 91 RON olan kurşunsuz normal benzin için tasarlanmıştır. Bu tür yakıt bulunmıyorsa, daha yüksek oktan değerli bir yakıt da kullanabilirsiniz. Bu tür yakıtlar motora zarar vermez, ancak çalışma performansını düşürebilir.

Benzer bir durum kurşunsuz yakıt kullanımı için de geçerlidir. Motorun optimum performansı ve sağlığınızın ve çevrenin korunması için, yalnızca kurşunsuz yakıt kullanılmalıdır!

Motorun yağlanması için, yakıtta iki zamanlı motor yağı (kalite derecesi: JASO FC veya ISO EGD) ekleyin. Motor, çevrenin korunması için yalnızca DOLMAR iki zamanlı motor yağı ve 50:1 karışım oranıyla kullanım için tasarlanmıştır. Böylece, minimum egzoz gazı emisyonu ile birlikte uzun bir kullanım ömrü ve güvenli bir çalışma da garanti edilir. 50:1 oranında bir DOLMAR 2 zamanlı motor yağı karışımının elde edilmesi çok önemlidir. Aksi takdirde, yan tırpanın güvenilir çalışması garanti edilemez.

Doğru karışım oranı:

50 birim benzin ile 1 birim DOLMAR 2 zamanlı motor yağını karıştırın (sağ taraftaki tabloya bakın).

NOT: Yakıt-yağ karışımının hazırlanması için, tüm ilgili standartları karşılayan veya aşan, onaylanmış bir kaptan önce yakıtı ekleyin. Yan tırpanın deposuna doldurmadan önce karışımı iyice karıştırın. Güvenli çalışmanın garantisi için, belirtilenden fazla motor yağı eklemeyin. Daha fazla motor yağı eklenmesi yalnızca çevrenin kirlenmesine yol açan yanma artıklarını artırır ve silindirdeki egzoz kanalının, bujilerin ve susturucunun tıkanmasına yol açar. Ayrıca, yakıt tüketimi artarken, performans düşer.

Yakıt Doldurma

Yakıt doldurma işlemlerini kesinlikle kapalı, havasız ortamlarda gerçekleştirmeyin.

Motor mutlaka kapalı konumda olmalıdır!

- Yakıt deposuna pislik girmesini önlemek için yakıt deposunun (1) etrafındaki alanı iyice temizleyin.
- Yakıt deposu kapağını (2) çıkartın ve yakıt doldurun.
- Yakıt deposunu kesinlikle ağzına kadar doldurmayın.
- Yakıt deposu kapağını sağlam şekilde takın.
- Yakıt doldurduktan sonra vidalı tapayı ve depoyu emici bir bezle silin!
Bezlerin kurummasını bekleyin ve uygun bir çöp kutusuna atın.

NOT: Bazı ülkelerde, yakıt deposu kapağında bir kayış (3) bulunur.

Yakıtın Saklanması

Yakıt sınırsız süre boyunca saklanamaz.

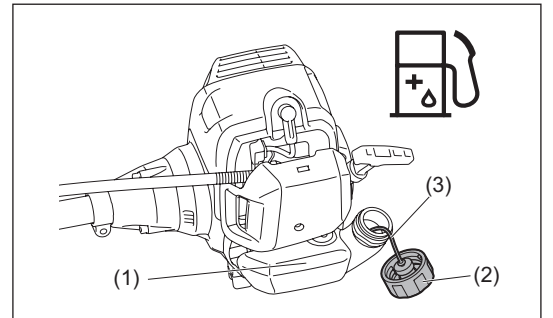
Yalnızca 4 haftalık çalışma için gerekli miktarda yakıt satın alın. Yalnızca onaylı yakıt saklama kaplarını kullanın.



193. sayfadaki Güvenlik Talimatlarını dikkate alın!



Benzin (premium kurşunsuz)	+	50:1
1.000 cc (1 L)		20 cc
5.000 cc (5 L)		100 cc
10.000 cc (10 L)		200 cc



MAKİNEİN DOĞRU TAŞINMASI VE TUTULMASI

UYARI: Makinenin tam olarak kontrol edilememesi halinde, ciddi yaralanmalar ve hatta ÖLÜMLÜ kazalar meydana gelebilir.

Omuz askısının takılması

- Askı uzunluğunu, kesici bıçak zemine paralel duracak şekilde ayarlayın.

Makinenin çıkartılması

MS-34 U modeli için

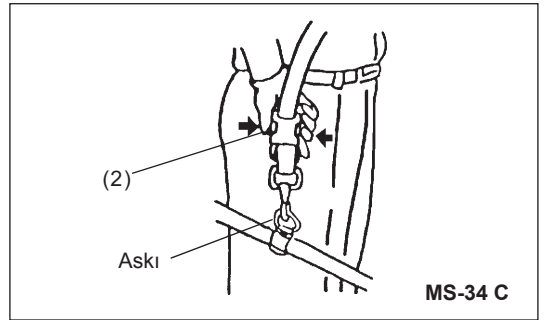
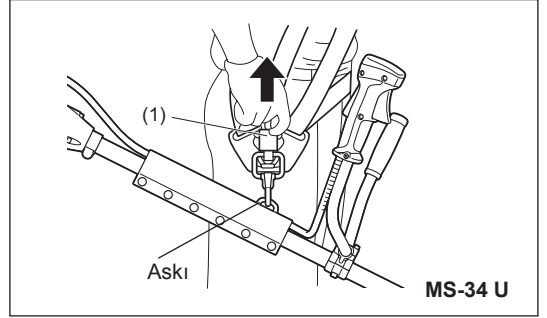
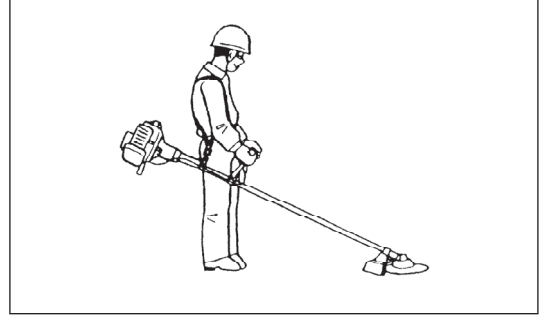
- Acil bir durumda, makineyi üzerinizden çıkarmak için kancayı (1) yukarı doğru çekin.

Bu sırada makinenin kontrolünü kaybetmemek için çok dikkatli olun. Makinenin size veya çevredeki insanlara doğru savrulmasına izin vermeyin.

MS-34 C modeli için

- Acil bir durumda her iki taraftaki tırnaklara (2) bastırarak makineyi üzerinizden çıkartabilirsiniz.

Bu sırada makinenin kontrolünü kaybetmemek için çok dikkatli olun. Makinenin size veya çevredeki insanlara doğru savrulmasına izin vermeyin.



ÇALIŞTIRMA VE DURDURMAYLA İLGİLİ UYARILAR

DİKKAT: İlgili kaza önleme yönetmeliklerini dikkate alın!

ÇALIŞTIRMA

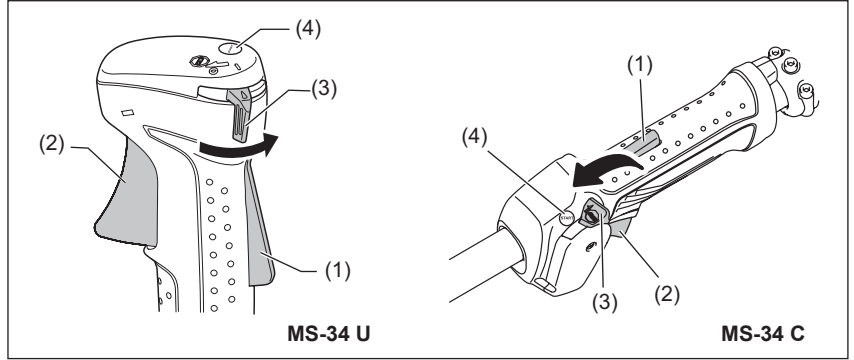
UYARI: Kesici parçanın motor çalıştırılır çalıştırılmaz dönmeye başlayacağına dikkat edin. Kesici parçanın dal, taş vb. gibi sert cisimlerle temas halinde olmadığından emin olun.

DİKKAT:

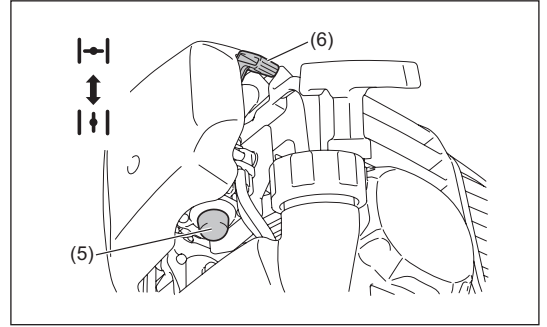
- Makineyi yakıt doldurduğunuz yerden en az 3 metre uzağa taşıyın. Makineyi yere koyarken kesici parçanın, zeminle veya diğer yabancı cisimlerle temas etmemesine dikkat edin.
- İpi kesinlikle sonuna kadar çekmeyin. Marş kolunu çektikten sonra hemen bırakmayın. Marş kolu başlangıçtaki konumuna dönene kadar bekleyin.

A: Soğuk çalıştırma

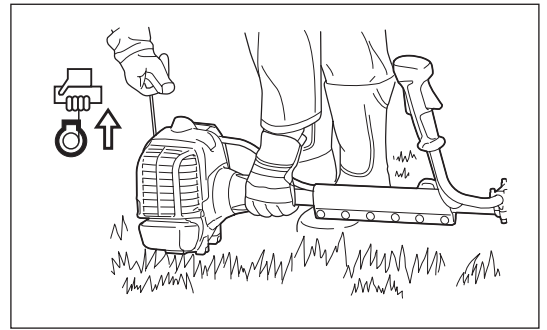
- 1) Makineyi düz bir zemin üzerine yerleştirin.
- 2) Kolu kavrayın (güvenlik kilidi (1) bu işlem sırasında açılır).
- 3) Gaz mandalına (2) bastırın ve bu konumda sabit tutun.
- 4) Açma/kapama düğmesini (3) START (4) konumuna getirin. Gaz mandalı yarı konumda kilitlenecektir.



- 5) Yakıt, ana pompaya gelene kadar ana pompayı (5) yavaşça (7 -10 defa) çalıştırın.
- 6) Jikle kolunu (6) en üst konuma getirin (|←| - jikle kapalı).



- 7) Üniteyi sol elinizle sıkıca tutun.
- 8) Marş kolunu bir sıkışma hissedene kadar nazikçe çekin. Ardından, güçlü bir şekilde çekin.
- 9) İlk ateşleme duyulana kadar çalıştırma işlemi tekrarlayın.
- 10) Motor çalıştığında, jikle kolunu “|↑| - jikle açık” konumuna getirin.
- 11) Motor çalışır çalışmaz kolu kavrayın (güvenlik kilidi bu işlem sırasında açılır) ve gaz mandalını bir miktar çektikten sonra geri bırakın. (Gaz mandalı kilidi açılır ve motor rölantide çalışmaya başlar.)
- 12) Motoru tam devirde kullanmaya başlamadan önce yaklaşık bir dakika boyunca orta devirde çalıştırın.



B: Sıcak çalıştırma

– Yukarıdaki açıklandığı gibidir, ancak farklı olarak, jikle kolunun çekilmesine gerek yoktur (jikle kolu “|↑| - jikle açık” konumunda kalır).

NOT:

Aşırı yakıt çekilmesi durumunda, bujii çıkartın ve fazla yakıtı boşaltmak için marş kolunu yavaşça çekin. Ayrıca, bujinin elektrot bölümünü kurutun.

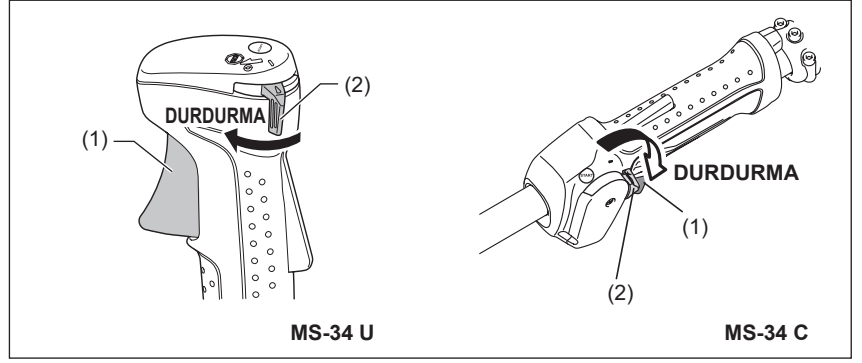
Çalıştırma sırasında dikkat edin: Yüksüz çalıştırma sırasında gaz mandalı tam açıksa, motor devri 10.000 dak⁻¹ ve üzeri olacaktır. Motoru kesinlikle gerekenden daha yüksek bir devirde çalıştırmayın. Motoru 6.000 - 8.000 dak⁻¹ arasında uygun bir devirde çalıştırın.

DURDURMA

- 1) Gaz mandalını (1) tamamen serbest bırakın.
- 2) Motor devri düştüğünde, açma/kapama düğmesini (2) STOP konumuna ayarlayın.

DİKKAT:

Kesim başlığının hemen durmayabileceğine dikkat edin.
Tamamen yavaşlamasını bekleyin.

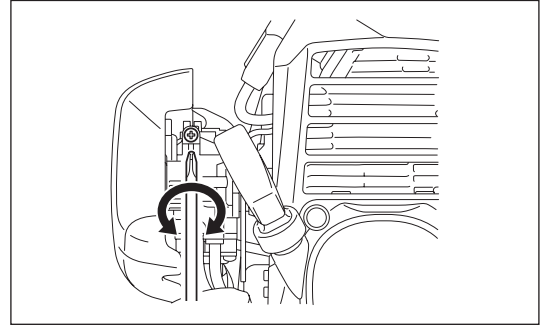


RÖLANTİ DEVRİNİN AYARLANMASI

Rölanti devrinin ayarlanması gerekiyorsa, bu işlemi karbüratör ayar vidasıyla gerçekleştirin.

RÖLANTİ DEVRİNİN KONTROLÜ

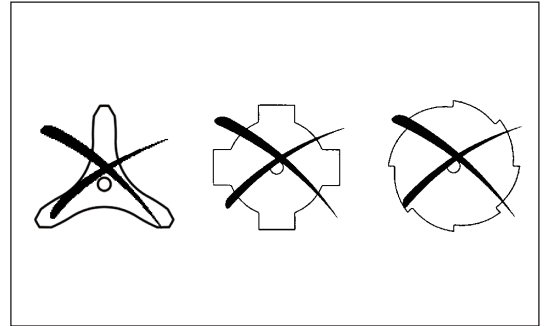
- Rölanti devrini 2.800 dak⁻¹ olarak ayarlayın.
Rölanti devrinin ayarlanması gerekiyorsa, sağ taraftaki şekilde gösterildiği gibi yıldız uçlu bir tornavida ile vidayı ayarlayın.
- Rölanti devrini yükseltmek için, ayar vidasını saat yönünde çevirin.
Rölanti devrini düşürmek için, ayar vidasını saat yönünün tersine çevirin.
- Karbüratör fabrikada ayarlanmıştır. Ancak, birkaç kullanımdan sonra rölanti devrinin tekrar ayarlanması gerekir.



KESİCİ PARÇANIN BİLENMESİ

DİKKAT: Şekilde gösterilen kesici parçalar bilenmez. Yetkili olmayan kişilerce yapılan bileme işlemleri, kesici parçanın dengesiz çalışmasına ve dolayısıyla makine titreşimlerine ve hasarlarına neden olabilir.

NOT: Daha uzun bir kullanım ömrü için, kesici bıçak her iki kesici kenarı da körelene kadar bir kere ters çevrilebilir.



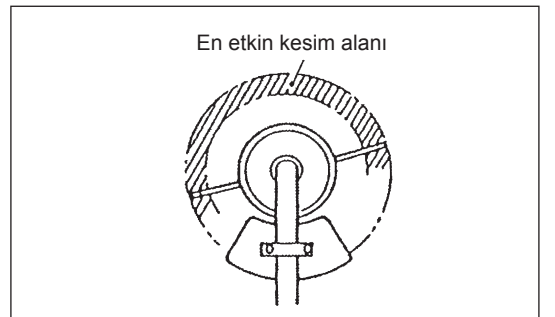
MİSİNALI KESİM BAŞLIĞI

Misinalı kesim başlığı, çarpmalı besleme mekanizmasına sahip bir çift misinalı tırpan başlığıdır.

Misinalı kesim başlığı, misinayı tırpan başlığı yere çarpıldığında besler.

Çalıştırma

- Misinalı kesim başlığının devrini yaklaşık 6.000 dak⁻¹ değerine yükseltin.
Misinalı kesim başlığını hafifçe yere vurun.
- En etkili kesim alanı taralı olarak gösterilmiştir.
- Misina beslenmezse, "Misinanın değiştirilmesi" başlıklı bölümde açıklanan prosedürleri takip ederek misinayı geri sarın/değiştirin.



Misinin deęiřtirilmesi (ÇARPMA ve BESLEME)

⚠ UYARI:

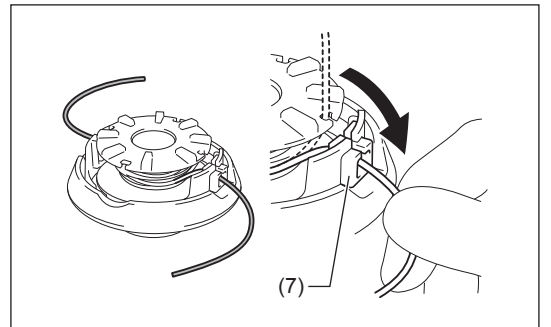
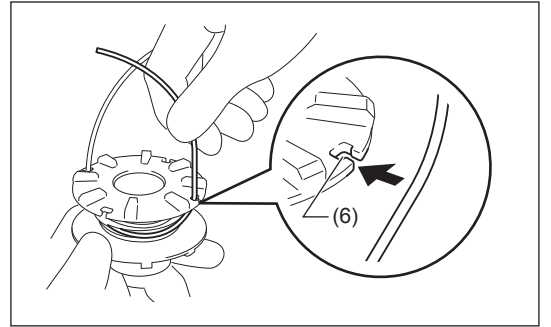
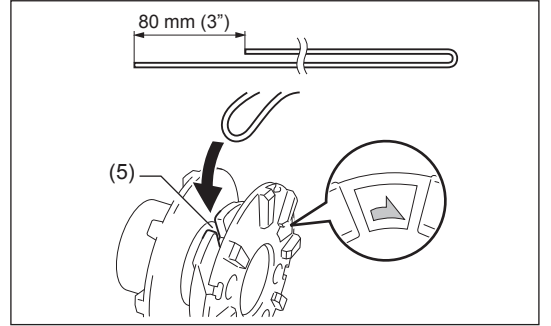
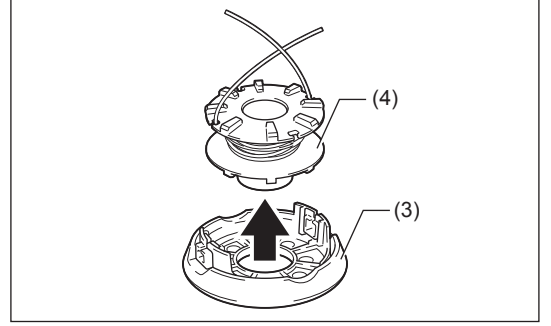
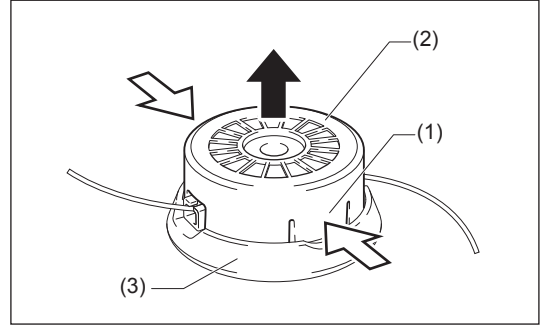
- Misinalı kesim bařlıęı kapaęının ařaęıda aıkladıęı gibi muhafazaya doęru řekilde sabitlendięinden emin olun. Kapaęın saęlam řekilde takılmaması, misinalı kesim bařlıęının ıkarak ciddi yaralanmalara yol amasına neden olabilir.

- Kapaęı (3) ıkarmak iin, muhafaza (2) üzerindeki kilitleri (1) ieri doęru bastırın ve ardından yukarı doęru kaldırın.
- Misinayı gözlü civatadan ıkartın. Ardından, makarayı (4) kapaktan ıkartın. Varsa, kalan misinaları atın.

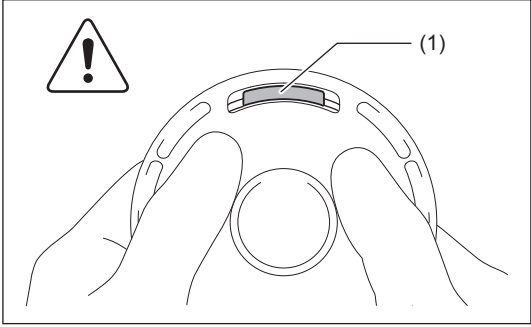
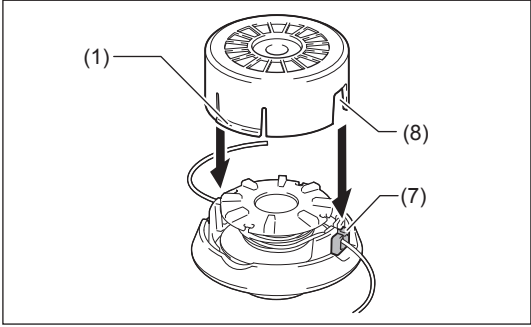
- Yeni misinanın ortasını makaranın merkezinde, 2 kanal arasında bulunan tırnaktan (5) geirin. Misinanın bir tarafı, dięer tarafından yaklaşık 80 mm (3") uzun olmalıdır. Misinanın her iki ucunu makara üzerindeki ok iřareti yönünde makaraya sıkıca sarın.

- 100 mm (4") kalana kadar tüm misinayı sarın ve misinanın uçlarını geici olarak tırnaklara (6) takın.

- Tırnakları gözlü civatalara (7) karřılık gelecek řekilde, makarayı kapaęa takın. Misinanın uçlarını geici konumlarından ıkartın ve gözlü civatalardan geirin.



6. Muhafaza üzerindeki kare delikleri (8) gözlü cıvatalar (7) ile aynı hizaya getirin. Ardından, sabitlemek üzere muhafazayı kapağa sağlam şekilde bastırın. Kilitlerin (1) kapak üzerine tam olarak oturduğundan emin olun.



SERVİS TALİMATLARI

DİKKAT: Makine üzerinde herhangi bir çalışma yapmadan önce, mutlaka motoru durdurun ve buji konektörünü bujiden çıkartın (bkz. "bujinin kontrolü").
Daima koruyucu eldiven takın!

Makinenin uzun ömürlü olması ve olası hasarların önlenmesi için, düzenli aralıklarla aşağıda açıklanan servis çalışmaları gerçekleştirilmelidir.

Günlük kontrol ve bakımlar

- Çalışmaya başlamadan önce, makinede gevşek vida veya eksik parça olup olmadığını kontrol edin. Özellikle, metal bıçak veya misinalı kesim başlığının doğru şekilde sıkılmasına dikkat edin.
- Çalışma öncesi mutlaka soğutucu hava geçişinin ve silindir kanatlarının tıkalı olmadığını kontrol edin. Gerekirse, bu parçaları temizleyin.
- Her gün kullanım sonrası şu işlemleri gerçekleştirin:
 - Makinenin dış kısmını temizleyin ve hasar olup olmadığını kontrol edin.
 - Hava filtresini temizleyin. Aşırı tozlu ortamlarda çalışıyorsanız, filtreyi günde birkaç defa temizleyin.
 - Bıçakta veya misinalı kesim başlığında hasar olmadığını ve bu parçaların sağlam şekilde takıldığını kontrol edin.
 - Motor rölantideyken kesici parçanın duracağından emin olmak için, rölanti ile kavrama devirleri arasında yeterli fark olduğundan emin olun (gerekirse, rölanti devrini düşürün).
Rölanti koşulunda kesici parça dönmeye devam ediyorsa, en yakın Yetkili Servis Merkezine danışın.
- Açma/kapama düğmesinin, kilit açma mandalının, gaz mandalının ve kilit düğmesinin doğru çalıştığını kontrol edin.

HAVA TEMİZLEYİCİSİNİN TEMİZLENMESİ



UYARI: Motoru kapatın, makineyi açık alevlerden uzaklaştırın ve sigara içmeyin.

Temizlik ve Kontrol Aralığı: Günlük (her 10 çalışma saatinin sonunda)

- Jikle kolunu (4) tamamen kapalı konuma çevirin ve karbüratördeki toz ve pislikleri temizleyin.

Hava temizleyicisi kapağının çıkartılması

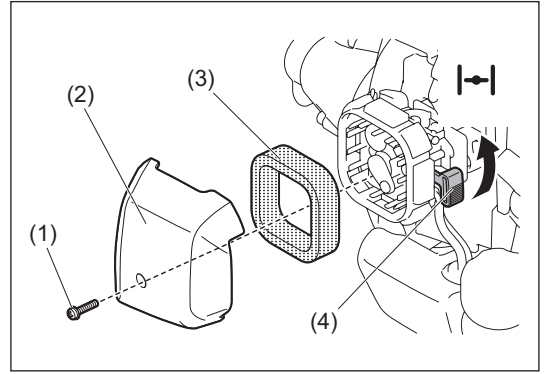
- Vidayı (1) sökün ve hava temizleyicisi kapağını (2) çıkartın.

Filtre elemanının temizlenmesi

- Filtre elemanını (3) çıkartın ve hafifçe vurarak içerisindeki pislikleri temizleyin.
- Aşırı kirlenmişse:
Sünger filtre elemanını çıkartın, deterjanla seyreltilmiş suda yıkayın ve tamamen kurumasını bekleyin.
- Filtre elemanı kurduktan sonra 2 zamanlı motor yağına batırın ve ardından fazla yağın akıtmak için sıkın.
- Sünger filtre elemanını geri takmadan önce, yağın filtre elemanına eşit şekilde uygulandığından emin olun. Fazla yağ, makinenin zor çalışmasına neden olabilir.
- Hava temizleyicisi kapağının etrafına yapışan yağları bir bez parçasıyla temizleyin.

Hava temizleyicisi kapağının takılması

- Temizledikten sonra, sünger filtre elemanını geri yerine takın. Hava temizleyici kapağını geri yerine takın. Ardından, vidayı sıkarak sabitleyin.



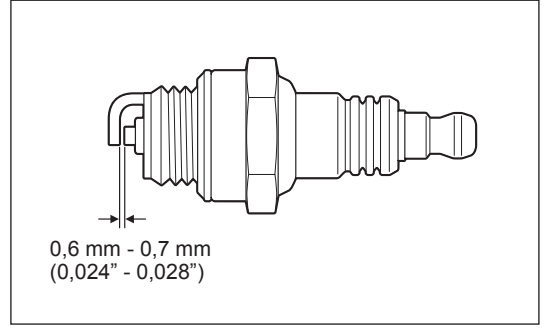
İKAZ:

- Hava temizleyicide çok fazla toz veya kir birikiyorsa, her gün temizleyin. Kirli filtre elemanları motor gücünü düşürür ve motorun çalışmasını zorlaştırır.
- Filtre elemanları üzerindeki yağ temizleyin. Filtre elemanlarındaki yağ temizlenmeden çalışmaya devam edilirse, hava temizleyicideki yağ dışarı akabilir ve çevrenin kirlenmesine yol açabilir.
- Filtre elemanlarını yere veya kirli yüzeylere koymayın. Aksi takdirde, filtre elemanlarına kir veya yabancı maddeler yapışabilir ve neticesinde motor hasar görebilir.
- Filtre elemanlarını temizlemek için kesinlikle yakıt kullanmayın. Yakıt, filtre elemanlarına zarar verebilir.

BUJİNİN KONTROLÜ

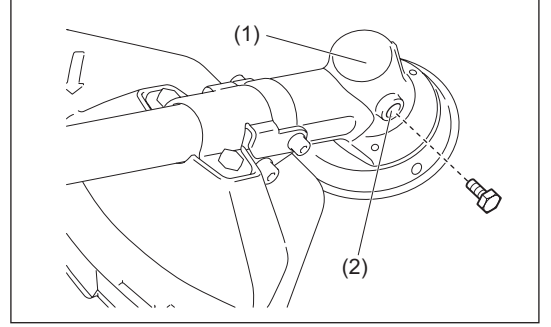
- Bujiyi sökmek ve takmak için yalnızca ürünle birlikte verilen standart anahtar kullanın.
- Bujinin iki elektrotu arasındaki boşluk 0,6 ila 0,7 mm (0,024" ila 0,028") olmalıdır. Boşluk çok geniş veya darsa, ayarlayın. Buji tıkanır veya kirlenirse, iyice temizleyin veya değiştirin. Kontrol ettikten sonra tapa kapağını şekilde gösterildiği gibi takın.

DİKKAT: Motor çalışırken buji konektörüne kesinlikle dokunmayın (yüksek gerilimde elektrik çarpması tehlikesi).



DİŞLİ KUTUSUNA GRES DOLDURULMASI

- Dişli kutusuna (1) gres deliğinden (2) her 30 saatlik çalışma süresinin sonunda bir defa gres (Shell Alvania 2 veya muadili) doldurun. (Mutlaka bir DOLMAR satıcısından orijinal DOLMAR greşi satın alınmalıdır.)



YAKIT FİLTRESİNİN TEMİZLENMESİ

UYARI: TUTUŞABİLİR MADDELERİN KULLANILMASI KEŞİNLİKLE YASAKTIR.

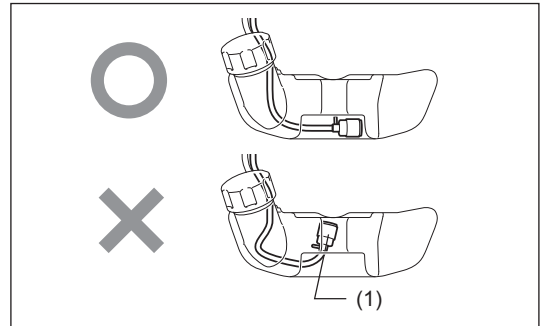
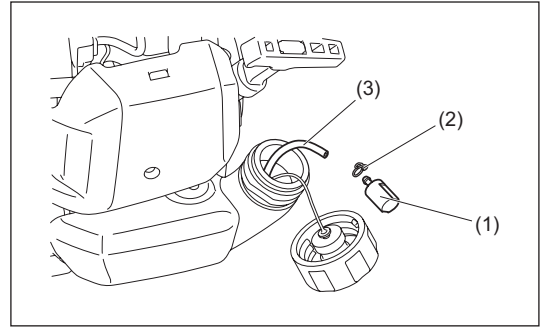
Kontrol sıklığı: Aylık (her 50 çalışma saatinin sonunda)

Yakıt deposundaki emiş başlığı

Yakıt filtresini (1) düzenli olarak kontrol edin. Yakıt filtresini kontrol etmek için, şu adımları takip edin:

1. Yakıt deposu kapağını çıkartın ve kalan yakıtı tahliye ederek depoyu boşaltın. Depo içerisinde yabancı madde olmadığını kontrol edin. Varsa, temizleyin.
2. Depo deliğinden bir tel kanca sokarak, emiş başlığını çıkartın.
3. Yakıt filtresi az miktarda tıkanmışsa, temizleyin. Temizlemek için, yakıt içerisinde hafifçe sallayın ve vurun. Hasar vermemek için, sıkmayın ve ovalamayın. Temizlik sırasında kullanılan yakıt mutlaka ülkenizde geçerli olan kurallara uygun bir yöntemle bertaraf edilmelidir. Yakıt filtresi sertleşmiş veya aşırı tıkanmışsa, değiştirin.
4. Kontrol, temizlik ve değişim işlemlerinden sonra yakıt filtresini yakıt borusuna (3) takın ve hortum kelepçesiyle (2) sabitleyin. Yakıt filtresini, yakıt deposunun altına doğru sonuna kadar bastırın.

Tıkalı veya hasarlı yakıt filtresi, yetersiz yakıt beslenmesine ve motor gücünün düşmesine neden olabilir. Karbüratöre yeterli miktarda yakıt beslenmesini sağlamak için, yakıt filtresini en az üç ayda bir değiştirin.

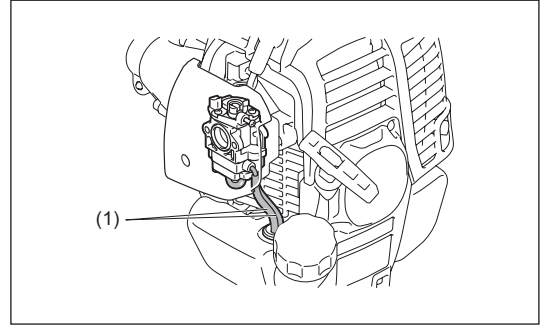


YAKIT BORUSUNUN DEĞİŞTİRİLMESİ

DİKKAT: TUTUŞABİLİR MADDELERİN KULLANILMASI KESİNLİKLE YASAKTIR.

Temizlik ve Kontrol Aralığı: Günlük (her 10 çalışma saatinin sonunda)
Değiştirme sıklığı: Yıllık (her 200 çalışma saatinin sonunda)

Çalıştırma sıklığı ne olursa olsun, yakıt borusunu (1) her yıl değiştirin. Aksi takdirde, yakıt kaçağı nedeniyle yangın tehlikesi ortaya çıkabilir. Kontroller sırasında herhangi bir kaçak tespit ederseniz, yakıt borusunu derhal değiştirin.



CIVATA, SOMUN VE VİDALARIN KONTROLÜ

- Gevşek civataları, somunları vb. sıkın.
- Yakıt kapağının ve yağ kapağının sağlam şekilde sıkıldığını kontrol edin. Yakıt veya yağ kaçağı olup olmadığını kontrol edin.
- Güvenli çalıştırma için, hasarlı parçaları yenileriyle değiştirin.

PARÇALARIN TEMİZLENMESİ

- Bir bez parçasıyla sık sık silerek motorun daima temiz kalmasını sağlayın.
- Silindir açıklıklarına kum veya toz bulaşmasına izin vermeyin. Açıklıklara yapışan toz veya kir, pistonun sıkışmasına neden olur.

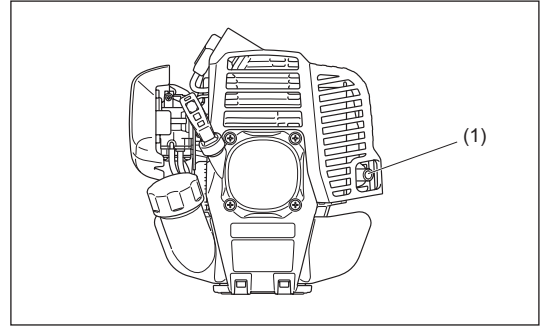
CONTA VE SALMASTRALARIN DEĞİŞTİRİLMESİ

Motor sökülmüşse, conta ve salmastraları değiştirin.

Bu kılavuzda belirtilmeyen ve açıklanmayan tüm bakım ve ayar çalışmaları mutlaka yalnızca Yetkili Servis tarafından yapılmalıdır.

SUSTURUCU ÇIKIŞ PORTUNUN TEMİZLENMESİ

- Susturucu çıkış portunu (1) düzenli olarak temizleyin.
- Karbon birikmesi nedeniyle tıkanmışsa, tortuları uygun bir alet kullanarak dikkatli bir şekilde kazıyın.



SAKLAMA

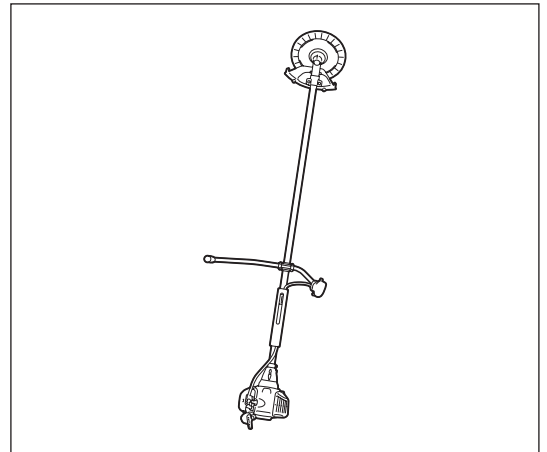


UYARI: Durdurulsa bile motor hala sıcak olabilir. Yakıtı boşaltırken, motorun durdurulduktan sonra soğuması için yeteri kadar bekleyin. Aksi takdirde, cilt yanıkları meydana gelebilir ve/veya yangın çıkabilir.



TEHLİKE: Makine uzun bir süre çalıştırılmayacaksa, yakıt deposu ve karbüratördeki yakıtı tamamen boşaltın ve kuru ve temiz bir yerde muhafaza edin.

- Yakıt deposu ve karbüratördeki yakıtı aşağıdaki prosedürü takip ederek boşaltın:
 - 1) Yakıt deposu kapağını çıkartın ve yakıtı tamamen boşaltın. Yakıt deposunda yabancı madde kalmışsa, tamamen temizleyin.
 - 2) Yakıt filtresini bir tel yardımıyla doldurma deliğinden çıkartın.
 - 3) Yakıt tamamen boşalana kadar pompaya bastırın ve yakıt deposundan çıkan yakıtı bir kaba alın.
 - 4) Filtreyi yakıt deposuna geri takın ve yakıt deposu kapağını sıkıca kapatın.
 - 5) Ardından, motoru durana kadar çalıştırmaya devam edin.
- Bujiyi çıkartın ve birkaç damla motor yağının buji deliğinden damlamasını sağlayın.
- Marş kolunu, motora motor yağı dağılacak şekilde yavaşça çekin ve bujiyi takın.
- Kapağı metal bıçağa takın.
- Genel olarak, motoru yatay konumda muhafaza edin. Mümkün değilse, makineyi motor ünitesi, kesici parçanın altına gelecek şekilde yerleştirin. Aksi takdirde, motor yağı içeriden sızıntı yapabilir.
- Çıkan yakıtı doğrudan güneş ışığı almayan ve iyi havalandırılan bir yerde özel bir kaba alın.



Parça	Çalışma süresi		Çalışma öncesi	Yakıt doldurduktan sonra	Günlük (10 sa)	30 sa	50 sa	200 saat veya 1 yıl (hangisi önce gelirse)	Depoya kaldırmadan önce	Karşılık gelen P
Parçaları sıkın (cıvata, somun)		Kontrol edin	<input type="radio"/>							209
Yakıt deposu		Temizleyin	<input type="radio"/>							—
		Yakıtı boşaltın							<input type="radio"/> *2	209
Gaz mandalı		Çalışma kontrolü		<input type="radio"/>						—
Durdurma düğmesi		Çalışma kontrolü		<input type="radio"/>						207
Kesici parça		Kontrol edin	<input type="radio"/>		<input type="radio"/>					199
Rölanti devri		Kontrol edin/ ayarlayın			<input type="radio"/>					204
Hava temizleyici		Temizleyin			<input type="radio"/>					207
Buji		Kontrol edin			<input type="radio"/>					208
Soğutma havası geçişi ve silindir kanatları		Temizleyin/ kontrol edin			<input type="radio"/>					209
Yakıt borusu		Kontrol edin			<input type="radio"/>					209
		Değiştirin						<input type="radio"/> *1		—
Dişli kutusu greşi		Doldurun				<input type="radio"/>				208
Susturucu		Açıklığın kontrol edilmesi/ temizlenmesi				<input type="radio"/>				—
Yakıt filtresi		Temizleyin/ değiştirin					<input type="radio"/>			208
Karbüratör		Yakıtı boşaltın							<input type="radio"/> *2	209

*1 200 çalışma saati sonrası kontroller için, Yetkili Servis Personeline veya bir makine atölyesine danışın.

*2 Yakıt deposunu boşalttıktan sonra, motoru çalıştırmaya devam ederek karbüratördeki yakıtın boşalmasını sağlayın.

SORUN GİDERME

Onarım talebinde bulunmadan, lütfen sorunu önce kendiniz kontrol edin. Herhangi bir anormal durum tespit ettiğinizde, makinenizi bu kılavuzda verilen açıklamalara göre kontrol edin. Hiçbir parçayı açıklamaların aksine bir şekilde değiştirmeyin ve sökmeyin. Onarım için, Yetkili Servis Merkezine veya satıcınıza başvurun.

Karşılaşılan anormal durum	Olası nedeni (arıza)	Çözümü
Motor çalışmıyor.	Açma/kapama düğmesi STOP konumuna ayarlanmıştır.	Açma/kapama düğmesini START konumuna ayarlayın.
	Ana pompa çalışmıyordur.	7 ila 10 defa basın.
	Marş ipini çekme hızınız yavaştır.	Güçlü şekilde çekin.
	Yakıt azdır.	Yakıt doldurun.
	Jikle konumu yanlışdır.	"KAPALI" (soğuk çalıştırma) konumuna getirin. "AÇIK" (sıcak çalıştırma) konumuna getirin.
	Yakıt filtresi tıkanmıştır.	Değiştirin.
	Yakıt borusu bükülmüş veya tıkanmıştır.	Yakıt borusunu düzeltin veya değiştirin.
	Yakıt kirlenmiştir.	Yakıtın kirlenmesi, motorun çalışmasını zorlaştırır. Yeni yakıt doldurun. (Önerilen değiştirme sıklığı: 1 ay)
	Yakıt emişi aşırıdır.	Gaz mandalını orta devirden yüksek devire getirin ve motor çalışana kadar marş kolunu çekin. Motor çalışmaya başladığında, kesici parça da dönmeye başlar. Kesici parçaya çok dikkat edin. Motor hala çalışmazsa, bujiyi çıkartın, elektrotun kurumasını sağlayın ve bu parçaları tekrar başlangıçtaki gibi geri takın. Ardından, belirtildiği gibi çalıştırmayı deneyin.
	Buji kapağı çıkmıştır.	Sağlam şekilde takın.
	Buji kirlenmiştir.	Temizleyin.
	Buji açıklığı normal değildir.	Açıklığı ayarlayın.
	Bujide başka bir sorun vardır.	Değiştirin.
	Karbüratör normal çalışmıyordur.	Kontrol ve bakım talebinde bulunun.
	Marş ipi çekilemiyor veya bir sıkışma hissedilmiyor.	Kontrol ve bakım talebinde bulunun.
Tahrik/elektrik sistemi normal çalışmıyordur. (Açma/kapama düğmesi arızası, kablo arızası, konektör arızası vb.)	Kontrol ve bakım talebinde bulunun.	
Motor hemen duruyor. Motor devri yükselmiyor.	Isınma yetersizdir.	Isınma prosedürünü uygulayın.
	Motor ısınmasına rağmen, jikle kolu "KAPALI" konumdadır.	"AÇIK" konumuna getirin.
	Rölanti devri düşüktür.	Rölanti devrini ayarlayın.
	Yakıt filtresi tıkanmıştır.	Değiştirin.
	Hava temizleyici kirlenmiş veya tıkanmıştır.	Temizleyin veya değiştirin.
	Karbüratör normal çalışmıyordur.	Kontrol ve bakım talebinde bulunun.
	Egzoz susturucusu arızalıdır. (tıkali vb.)	Kontrol ve bakım talebinde bulunun.
	Tahrik/elektrik sistemi normal çalışmıyordur.	Kontrol ve bakım talebinde bulunun.
Metal bıçak dönmüyor. ↓ Motoru derhal durdurun	Metal bıçak sabitleme somunu gevşemiştir.	İyice sıkın.
	Metal bıçağa ince dal takılmıştır veya kapak engelliyordur.	Yabancı maddeyi temizleyin.
	Tahrik sistemi normal çalışmıyordur.	Kontrol ve bakım talebinde bulunun.
Ana ünite aşırı titreşim yapıyor. ↓ Motoru derhal durdurun	Metal bıçak kırılmış, eğilmiş veya aşınmıştır.	Metal bıçağı değiştirin.
	Metal bıçak sabitleme somunu gevşemiştir.	İyice sıkın.
	Metal bıçağın dışbükey kısmı ve metal bıçak destek fittingi kaymıştır.	Sağlam şekilde takın.
	Tahrik sistemi normal çalışmıyordur.	Kontrol ve bakım talebinde bulunun.
Metal bıçak hemen dönmeye başlamıyor. ↓ Motoru derhal durdurun	Rölanti devri yüksektir.	Rölanti devrini ayarlayın.
	Gaz teli çıkmıştır.	Sağlam şekilde takın.
	Tahrik sistemi normal çalışmıyordur.	Kontrol ve bakım talebinde bulunun.
Motor durmuyor. ↓ Motoru rölantide çalıştırın ve jikle kolunu KAPALI konuma getirin	Konektör çıkmıştır.	Sağlam şekilde takın.
	Elektrik sistemi normal çalışmıyordur.	Kontrol ve bakım talebinde bulunun.

- Isıtma çalıştırması gerçekleştirildikten sonra, motor çalışmıyorsa:
Kontrol edilen parçalarda herhangi bir anormal durum tespit edilmezse, gaz mandalını yaklaşık 1/3 tur açın ve motoru çalıştırın.
- Bu çizelgede açıklanmayan bir anormal durumla karşılaşırsanız, Yetkili Servis Merkezine danışın.

Makita Jan-Baptist Vinkstraat 2, 3070, Belgium
Makita Corporation Anjo, Aichi, Japan