

DOLMAR



MS-335.4 U

GB Petrol Brushcutter

F Débroussailleuse thermique

D Motorsense

I Decespugliatore a benzina

NL Benzinebosmaaier

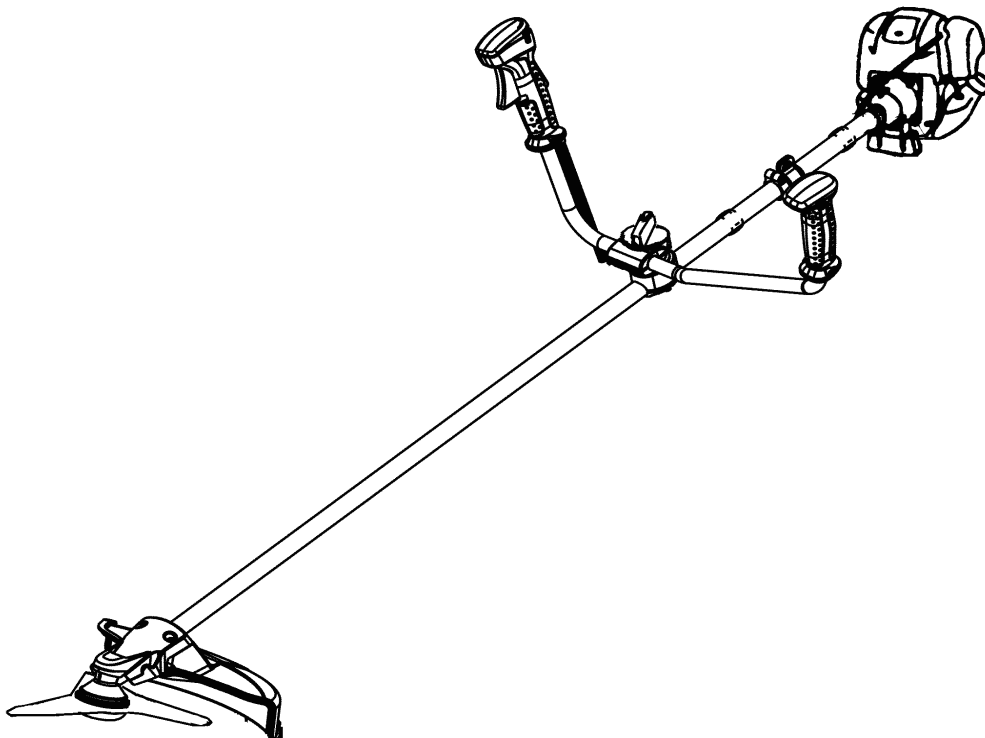
E Desbrozadora

P Roçadeira a gasolina

DK Benzindrevet buskrydder

GR Βενζινοκίνητο Θαμνοκοπτικό

INSTRUCTION MANUAL
MODE D'EMPLOI
BEDIENUNGSANLEITUNG
MANUALE DI ISTRUZIONI
GEBRUIKSAANWIJZING
MANUAL DE INSTRUCCIONES
MANUAL DE INSTRUÇÕES
BRUGSANVISNING
ΟΔΗΓΙΕΣ ΧΡΗΣΗΣ



Important:

Read this instruction manual carefully before putting the Petrol Brushcutter into operation and strictly observe the safety regulations!
Preserve instruction manual carefully!

Important :

Veillez lire attentivement ce mode d'emploi avant d'utiliser la débroussailleuse thermique, et observez strictement les consignes de sécurité !
Veillez à conserver ce mode d'emploi !

Wichtig:

Lesen Sie vor Verwendung der Motorsense diese Bedienungsanleitung aufmerksam durch und halten Sie die Sicherheitsregeln strikt ein!
Bewahren Sie diese Bedienungsanleitung sorgfältig auf!

Importante:

Leggere attentamente il presente manuale di istruzioni prima di mettere in funzione il decespugliatore a benzina e rispettare rigorosamente le normative sulla sicurezza.
Conservare con cura il manuale di istruzioni.

Belangrijk:

Lees deze gebruiksaanwijzing aandachtig door voordat u de benzinebosmaaier in gebruik neemt en houdt u te allen tijde aan de veiligheidsinstructies!
Bewaar deze gebruiksaanwijzing zorgvuldig!

Importante:

Lea atentamente este manual de instrucciones antes de utilizar la desbrozadora y cumpla estrictamente la normativa de seguridad.
Conserve el manual de instrucciones con cuidado.

Importante:

Leia cuidadosamente este manual de instruções antes de utilizar a roçadeira a gasolina e cumpra todas as normas de segurança!
Guarde este manual de instruções num local seguro!

Vigtigt:

Læs denne brugsanvisning omhyggeligt igennem inden du anvender den benzindrevne buskrydder og overhold sikkerhedsregulativerne til mindste detalje!
Gem denne brugsanvisning omhyggeligt!

Σημαντικό:

Διαβάστε αυτό το εγχειρίδιο οδηγιών προσεκτικά πριν θέσετε σε λειτουργία το Βενζινοκίνητο Θαμνοκοπτικό και τηρήστε με ακρίβεια τους κανονισμούς ασφαλείας!
Διατηρήστε με προσοχή το εγχειρίδιο οδηγιών!

Thank you very much for purchasing the DOLMAR Petrol Brushcutter. We are pleased to recommend to you the DOLMAR Petrol Brushcutter which is the result of a long development programme and many years of knowledge and experience.

Please read this booklet which refers in detail to the various points that will demonstrate its outstanding performance. This will assist you to obtain the best possible result from your DOLMAR Petrol Brushcutter.



Table of Contents	Page
Symbols.....	3
Safety instructions	4
Technical data.....	8
Designation of parts.....	9
Mounting of handle.....	10
Mounting of protector.....	11
Mounting of cutter blade or nylon cutting head.....	12
Before start of operation	13
Correct handling of machine.....	15
Points in operation and how to stop	15
Resharpener the cutting tool.....	17
Servicing instructions.....	19
Storage	23

SYMBOLS

You will note the following symbols when reading the instructions manual.

	Read instruction manual and follow the warnings and safety precautions!		Wear protective helmet, eye and ear protection!
	Take Particular care and attention!		Top permissible tool speed
	Forbidden!		Fuel (Gasoline)
	Keep distance!		Engine-manual start
	Flying object hazard!		Emergency stop
	No smoking!		First Aid
	No open flame!		Recycling
	Protective gloves must be worn!		ON/START
	Wear sturdy boots with nonslip soles. Steeltoed safety boots are recommended!		OFF/STOP
	Kickback!		
	Keep the area of operation clear of all persons and pets!		

SAFETY INSTRUCTIONS

General Instructions

- To ensure correct operation, user has to read this instruction manual to make himself familiar with the handling of the Petrol Brushcutter. Users insufficiently informed will risk danger to themselves as well as others due to improper handling.
- It is recommended only to lend the Petrol Brushcutter to people who have proven to be experienced with Petrol Brushcutters. Always hand over the instruction manual.
- First users should ask the dealer for basic instructions to familiarize oneself with the handling of an engine powered cutter.
- Children and young persons aged under 18 years must not be allowed to operate the Petrol Brushcutter. Persons over the age of 16 years may however use the device for the purpose of being trained only whilst under supervision of a qualified trainer.
- Use Petrol Brushcutters with the utmost care and attention.
- Operate the Petrol Brushcutter only if you are in good physical condition. Perform all work calmly and carefully. The user has to accept liability for others.
- Never use the Petrol Brushcutter after consumption of alcohol or drugs, or if feeling tired or ill.

Intended use of the machine

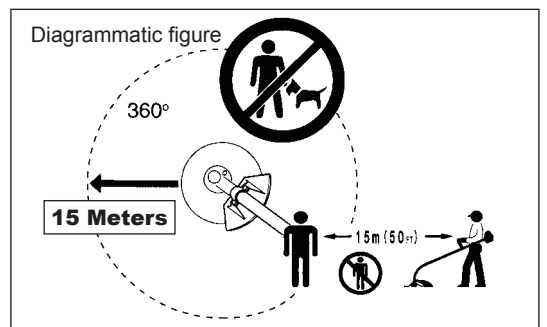
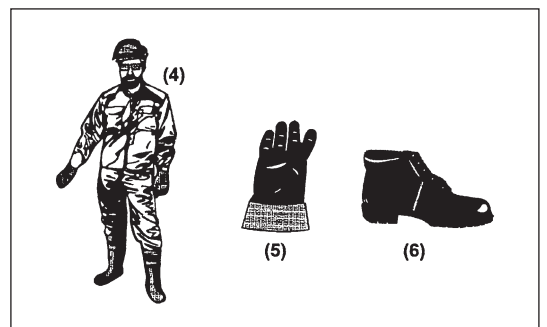
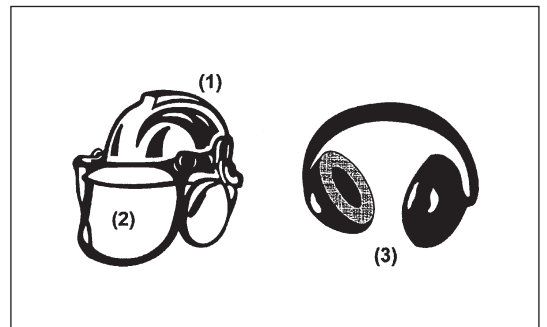
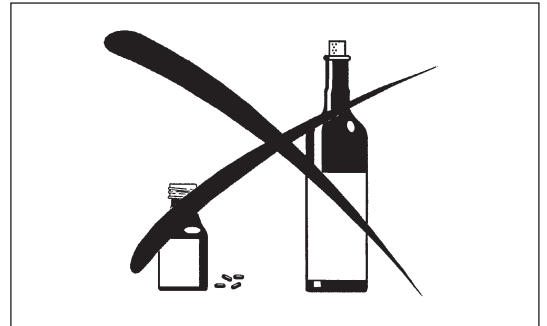
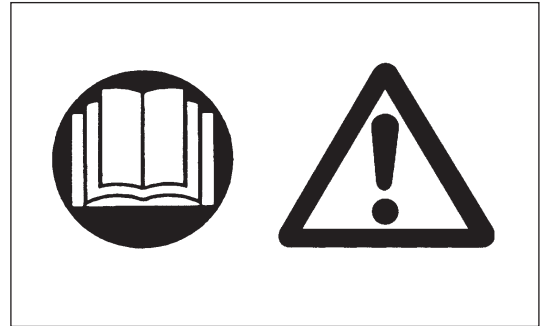
- The Petrol Brushcutter is only intended for cutter grass, weeds, bushes, undergrowth it should not be used for any other purpose such as edging or hedge cutting as this may cause injury.

Personal protective equipment

- The clothing worn should be functional and appropriate, i.e. it should be tight-fitting but not cause hindrance. Do not wear either jewelry or clothing which could become entangled with bushes or shrubs.
- In order to avoid either head-, eye-, hand- or foot injuries as well as to protect your hearing the following protective equipment and protective clothing must be used during operation of the Petrol Brushcutter.
- Always wear a helmet where there is a risk of falling objects. The protective helmet (1) is to be checked at regular intervals for damage and is to be replaced at the latest after 5 years. Use only approved protective helmets.
- The visor (2) of the helmet (or alternatively goggles) protects the face from flying debris and stones. During operation of the Petrol Brushcutter always wear goggles, or a visor to prevent eye injuries.
- Wear adequate noise protection equipment to avoid hearing impairment (ear muffs (3), ear plugs etc.).
- The work overalls (4) protect against flying stones and debris. We strongly recommend that the user wears work overalls.
- Special gloves (5) made of thick leather are part of the prescribed equipment and must always be worn during operation of the Petrol Brushcutter.
- When using the Petrol Brushcutter, always wear sturdy shoes (6) with a non-slip sole. This protects against injuries and ensures a good footing.

Starting up the Petrol Brushcutter

- Please make sure that there are no children or other people within a working range of 15 meters (50ft), also pay attention to any animals in the working vicinity.
- Before use always check that the Petrol Brushcutter is safe for operation: Check the security of the cutting tool, the control lever for easy action and check for proper functioning of the control lever lock.
- Rotation of the cutting tool during idling speed is not allowed. Check with your dealer for adjustment if in doubt. Check for clean and dry handles and test the function of the start/stop switch.

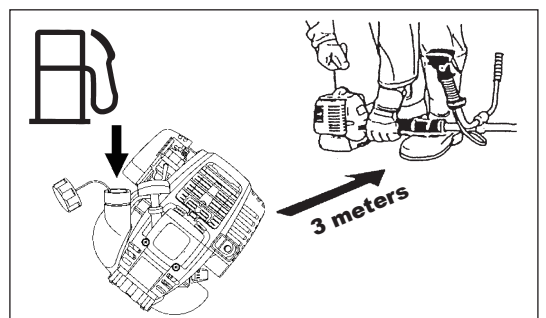
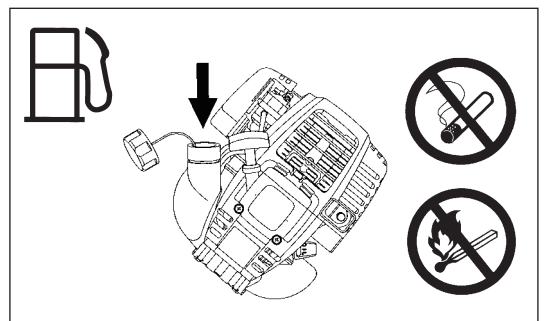
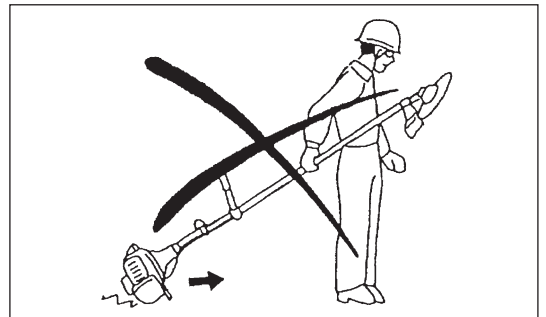
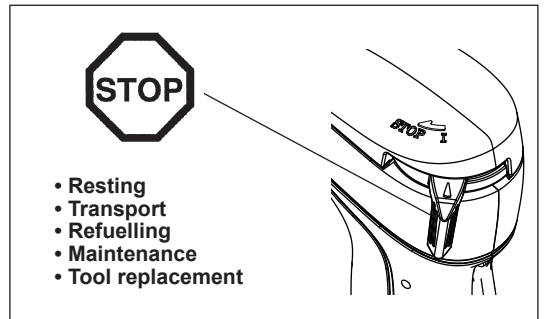
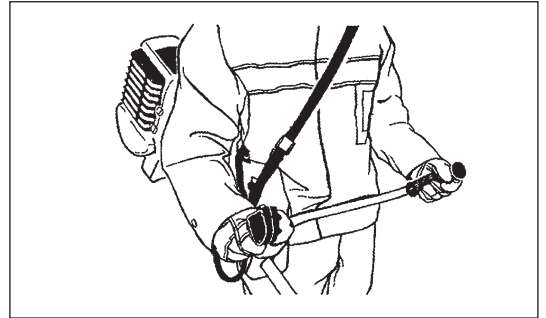
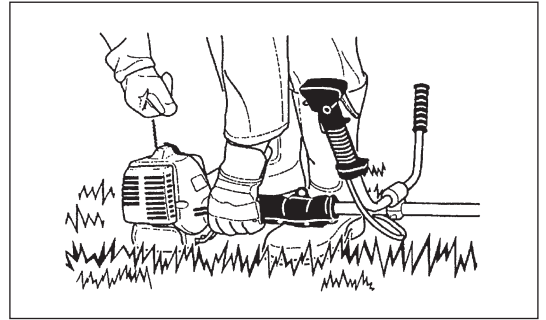


Start the Petrol Brushcutter only in accordance with the instructions.

- Do not use any other methods for starting the engine!
- Use the Petrol Brushcutter and the tools only for such applications as specified.
- Only start the Petrol Brushcutter engine, after the entire assembly is done. Operation of the device is only permitted after all the appropriate accessories are attached!
- Before starting make sure that the cutting tool has no contact with hard objects such as branches, stones etc. as the cutting tool will revolve when starting.
- The engine is to be switched off immediately in case of any engine problems.
- Should the cutting tool hit stones or other hard objects, immediately switch off the engine and inspect the cutting tool.
- Inspect the cutting tool at short regular intervals for damage (detection of hairline cracks by means of tapping-noise test).
- Operate the Petrol Brushcutter only with the shoulder strap attached which is to be suitably adjusted before putting the Petrol Brushcutter into operation. It is essential to adjust the shoulder strap according to the user's size to prevent fatigue occurring during use. Never hold the cutter with one hand during use.
- During operation always hold the Petrol Brushcutter with both hands. Always ensure a safe footing.
- Operate the Petrol Brushcutter in such a manner as to avoid inhalation of the exhaust gases. Never run the engine in enclosed rooms (risk of gas poisoning). Carbon monoxide is an odorless gas.
- Switch off the engine when resting and when leaving the Petrol Brushcutter unattended, and place it in a safe location to prevent danger to others or damage to the machine.
- Never put the hot Petrol Brushcutter onto dry grass or onto any combustible materials.
- The cutting tool has to be equipped with it's appropriate guard. Never run the cutter without this guard!
- All protective installations and guards supplied with the machine must be used during operation.
- Never operate the engine with faulty exhaust muffler.
- Shut off the engine during transport.
- During transport over long distances the tool protection included with the equipment must always be used.
- Ensure safe position of the Petrol Brushcutter during car transportation to avoid fuel leakage.
- When transporting the Petrol Brushcutter, ensure that the fuel tank is completely empty.
- When unloading the Petrol Brushcutter from the truck, never drop the Engine to the ground or this may severely damage the fuel tank.
- Except in case of emergency, never drop or cast the Petrol Brushcutter to the ground or this may severely damage the Petrol Brushcutter.
- Remember to lift the entire equipment from the ground when moving the equipment. Dragging the fuel tank is highly dangerous and will cause damage and leakage of fuel, possibly causing fire.

Refuelling

- Shut off the engine during refuelling, keep away from open flames and do not smoke.
- Avoid skin contact with mineral oil products. Do not inhale fuel vapor. Always wear protective gloves during refuelling. Change and clean protective clothing at regular intervals.
- Take care not to spill either fuel or oil in order to prevent soil contamination (environmental protection). Clean the Petrol Brushcutter immediately after fuel has been spilt.
- Avoid any fuel contact with your clothing. Change your clothing instantly if fuel has been spilt on it (to prevent clothing catching fire).
- Inspect the fuel cap at regular intervals making sure that it can be securely fastened and does not leak.
- Carefully tighten the fuel tank cap. Change location to start the engine (at least 3 meters away from the place of refuelling).
- Never refuel in closed rooms. Fuel vapors accumulate at ground level (risk of explosions).
- Only transport and store fuel in approved containers. Make sure the fuel stored is not accessible to children.



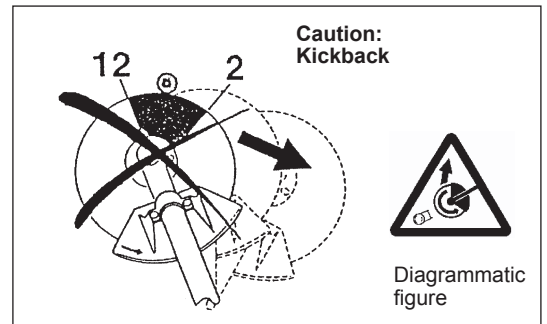
Method of operation

- Only use the Petrol Brushcutter in good light and visibility. During the winter season beware of slippery or wet areas, ice and snow (risk of slipping). Always ensure a safe footing.
- Never cut above waist height.
- Never stand on a ladder and run the Petrol Brushcutter.
- Never climb up into trees to perform cutting operation with the Petrol Brushcutter.
- Never work on unstable surfaces.
- Remove sand, stones, nails etc. found within the working range. Foreign particles may damage the cutting tool and can cause dangerous kick-backs.
- Before commencing cutting, the cutting tool must have reached full working speed.



Kickback

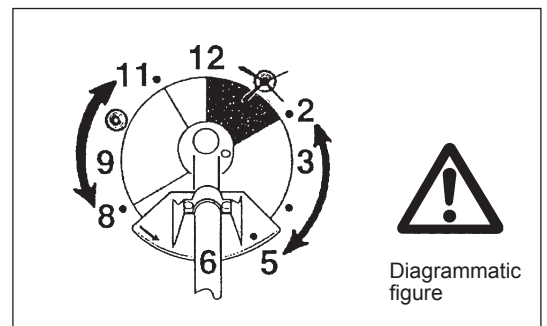
- When operating the Petrol Brushcutter, uncontrolled kickback may occur.
- This is particularly the case when attempting to cut within a blade segment between 12 and 2 o'clock.
- Never apply the Petrol Brushcutter within a segment between 12 and 2 o'clock.
- Never apply this segment of the Petrol Brushcutter blade to solids, such as bushes and trees, etc., having a diameter in excess of 3 cm or the Petrol Brushcutter will be deflected at great force with the risk of injuries.



Kickback prevention

To avoid kickbacks, observe the following:

- Operation within a blade segment between 12 and 2 o'clock presents positive hazards, especially when using metal cutting tools.
- Cutting operations within a blade segment between 11 and 12 o'clock, and between 2 and 5 o'clock, must only be performed by trained and experienced operators, and then only at their own risk. Easy cutting with almost no kickback is possible within a blade segment between 8 and 11 o'clock.

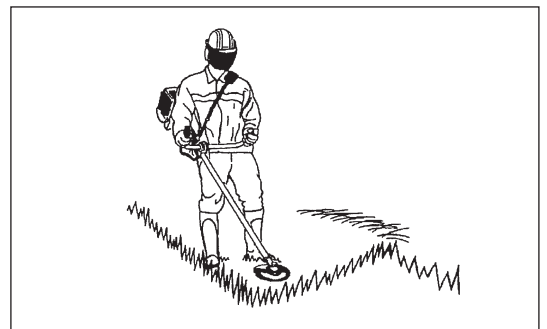


Cutting Tools

Employ only the correct cutting tool for the job in hand.

MS-335.4 U with cutter blade, Nylon cutting head

For cutting thick materials, such as weed, high grass, bushes, shrubs, underwood, thicket etc. (max. 2 cm dia. thickness). Perform this cutting work by swinging the Petrol Brushcutter evenly in half-circles from right to left (similar to using a scythe).



Maintenance instructions

- The condition of the cutter, in particular of the cutting tool of the protective devices and also of the shoulder strap must be checked before commencing work. Particular attention is to be paid to the cutting blades which must be correctly sharpened.
- Turn off the engine and remove spark plug connector when replacing or sharpening cutting tools, and also when cleaning the cutter or cutting tool.

Never straighten or weld damaged cutting tools.

- Operate the Petrol Brushcutter with as little noise and contamination as possible. In particular check the correct setting of the carburetor.
- Clean the Petrol Brushcutter at regular intervals and check that all screws and nuts are well tightened.
- Never service or store the Petrol Brushcutter in the vicinity of naked flames.
- Always store the Petrol Brushcutter in locked rooms and with an emptied fuel tank.



Observe the relevant accident prevention instructions issued by the relevant trade associations and by the insurance companies. Do not perform any modifications on the Petrol Brushcutter as this will endanger your safety.

The performance of maintenance or repair work by the user is limited to those activities as described in the instruction manual. All other work is to be done by an Authorized Service Agent. Use only genuine spare parts and accessories released and supplied by DOLMAR. Use of non-approved accessories and tools means increased risk of accidents. DOLMAR will not accept any liability for accidents or damage caused by the use of non-approved cutting tools and fixing devices of cutting tools, or accessories.

First Aid

In case of accident make sure that a first-aid box is available in the vicinity of the cutting operations. Immediately replace any item taken from the first aid box.

When asking for help, please give the following information:

- Place of accident
- What happened
- Number of injured persons
- Kind of injuries
- Your name



Packaging

The DOLMAR Petrol Brushcutter will be delivered in two protective cardboard boxes to prevent transport damage. Cardboard is a basic raw material and is therefore consequently reusable or suitable for recycling (waste paper recycling).



EC-DECLARATION OF CONFORMITY

Model; MS-335.4 U

We declare under our sole responsibility that this product is in compliance with the following Directives, 2004/108/EC, 2000/14/EC, 98/37/EC until December 28th 2009 and then with 2006/42/EC from 29th December 2009.

The most important standards applied to properly meet the requirements of the above Directives were: EN11806, EN55012.

Measured Sound Power: 109.7 dB (A)

Guarantee Sound Power: 112 dB (A)

These sound power levels were measured in accordance with Council Directive, 2000/14/EC.

Conformity assessment procedure: Annex V.

19. DEC. 2008



Tamiro Kishima
Managing Director



Rainer Bergfeld
Managing Director

Responsible Manufacturer:
Makita Corporation
3-11-8, Sumiyoshi-cho, Anjo, Aichi, JAPAN
Authorized Representative in Europe:
DOLMAR GmbH
Jenfelder Str. 38, 22045 Hamburg, Germany

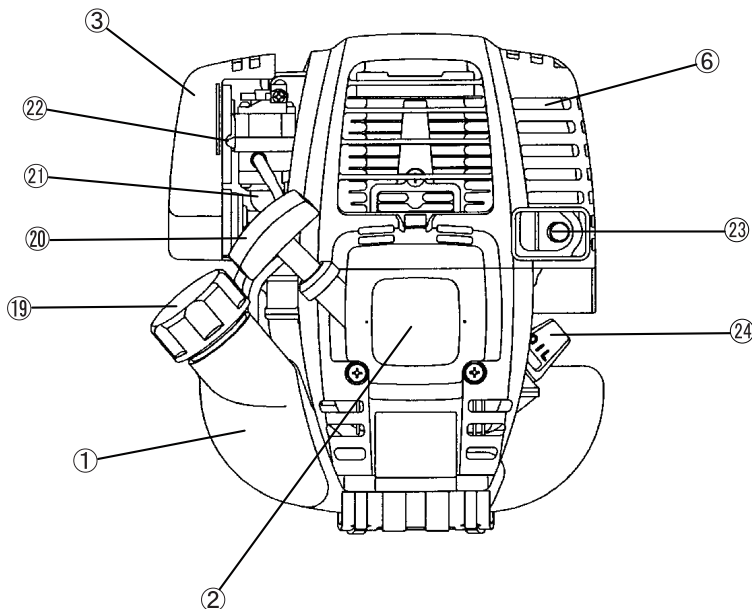
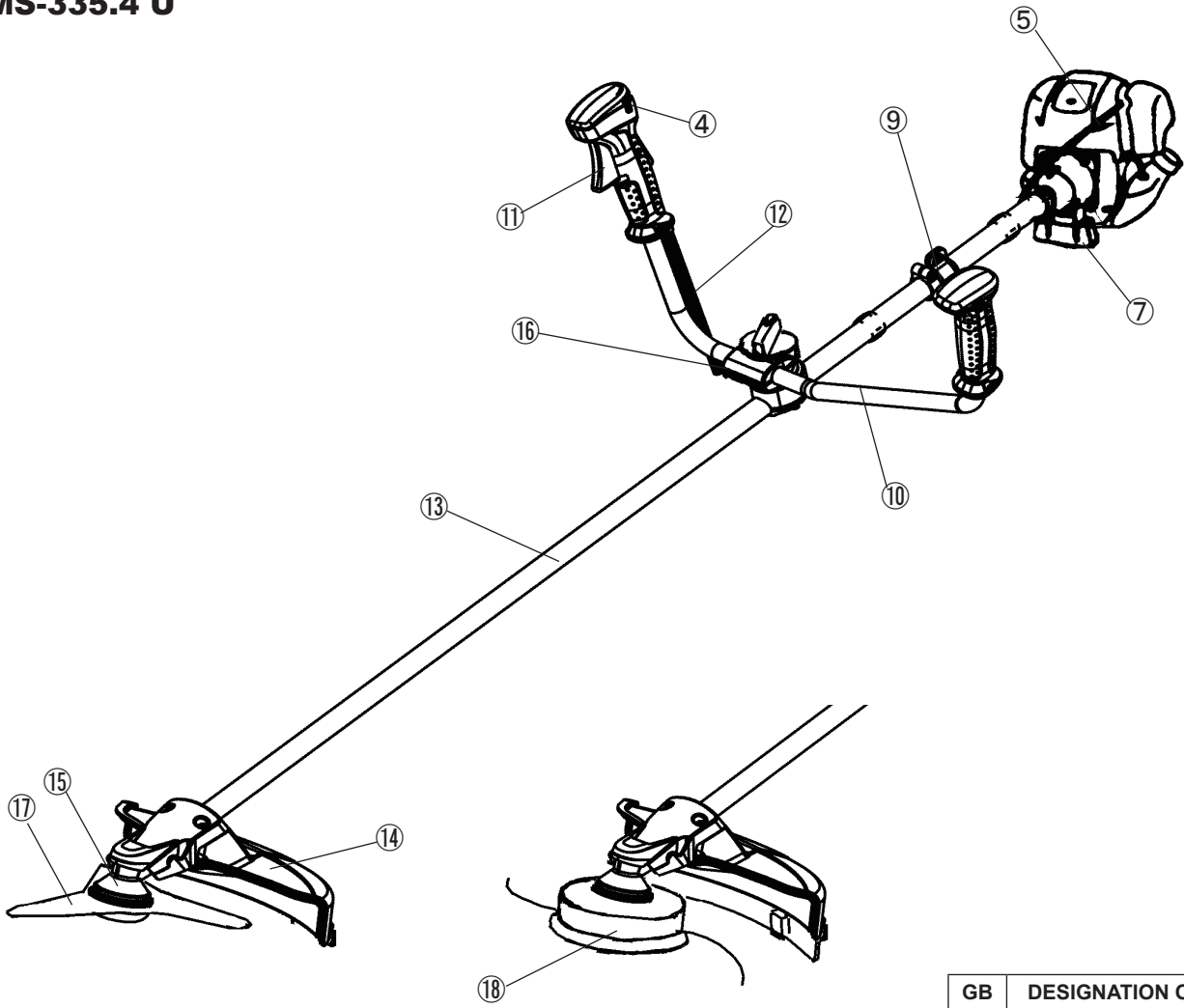
TECHNICAL DATA MS-335.4 U

Model		MS-335.4 U		
		Bike handle		
Dimensions: length x width x height (without cutting blade)	mm	1,810 x 620 x 500		
Mass (without plastic guard and cutting blade)	kg	7.1		
Volume (fuel tank)	L	0.65		
Volume (oil tank)	L	0.1		
Engine displacement	cm ³	33.5		
Maximum engine performance ISO8893	kw	1.07 at 7,000 min ⁻¹		
Maximum rotational frequency of the spindle	min ⁻¹	6,850		
Engine speed at recommended max. spindle rotational frequency	min ⁻¹	10,000		
Fuel consumption at max. engine performance ISO8893	kg/h	0.458		
Specific fuel consumption at max. engine performance	g/kwh	426		
Engine speed at idling	min ⁻¹	3,000		
Clutch engagement speed	min ⁻¹	4,100		
Carburetor (Diaphragm - carburetor)	type	WALBRO WYL		
Ignition system	type	Solid state ignition		
Spark plug	type	NGK CMR4A		
Electrode gap	mm	0.7 - 0.8		
Vibration per ISO 22867 ¹⁾	Right handle (Rear grip)	Idling	m/s ²	1.34
		Racing or W.O.T	m/s ²	4.39
	Left handle (Front grip)	Idling	m/s ²	1.28
		Racing or W.O.T	m/s ²	3.26
Sound pressure level average to ISO 22868 ¹⁾	dba	98.2		
Sound power level average to ISO 22868 ¹⁾	dba	106.7		
Fuel		Automobile gasoline		
Engine Oil		SAE 10W-30 oil of API Classification, Class SF or higher (4-stroke engine for automobile)		
Cutting tools (cutter blade dia.)	mm	305 (with three blades)		
Gear ratio		13/19		

1) The data is prepared taking equally into account the idling and racing or wide-open-throttle speed operating modes.

DESIGNATION OF PARTS

MS-335.4 U



GB	DESIGNATION OF PARTS
1	Fuel Tank
2	Rewind Starter
3	Air Cleaner
4	I-O Switch (on/off)
5	Spark Plug
6	Exhaust Muffer
7	Clutch Case
9	Hanger
10	Handle
11	Throttle Lever
12	Control Cable
13	Shaft
14	Protector
15	Gear Case/Head Case
16	Handle Holder
17	Cutter Blade
18	Nylon Cutting Head
19	Fuel Filler Cap
20	Starter Knob
21	Primer Pump
22	Choke Lever
23	Exhaust Pipe
24	Oil Gauge

MOUNTING OF HANDLE

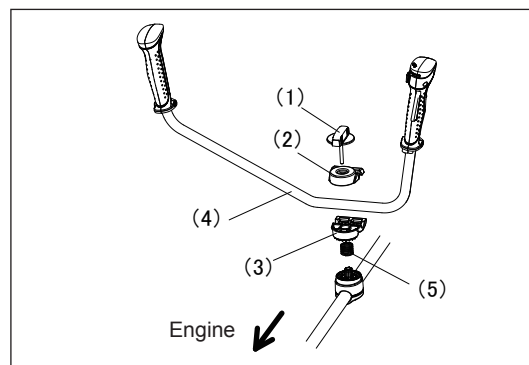
CAUTION: Before doing any work on the Petrol Brushcutter, always stop the engine and pull the spark plug connector off the spark plug. Always wear protective gloves!

CAUTION: Start the Petrol Brushcutter only after having assembled it completely.

For machines with bike handle models

- Loosen knob (1).
- Place handle (4) between handle clamp (2) and handle holder (3).
- Adjust handle (4) to an angle that provides a comfortable working position and then secure by firmly hand-tightening knob (1).

CAUTION: Do not forget to mount spring (5).



MOUNTING OF PROTECTOR

To meet the applicable safety provisions, only the tool/protector combinations as indicated in the table must be used.



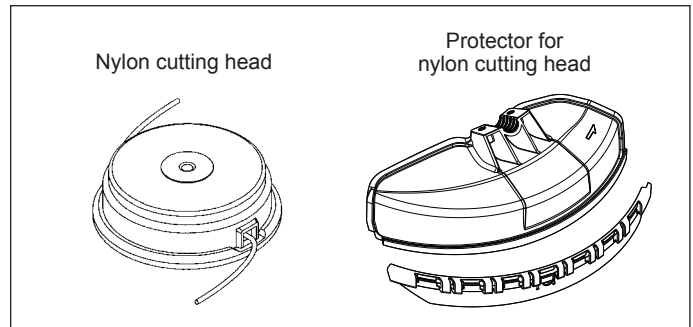
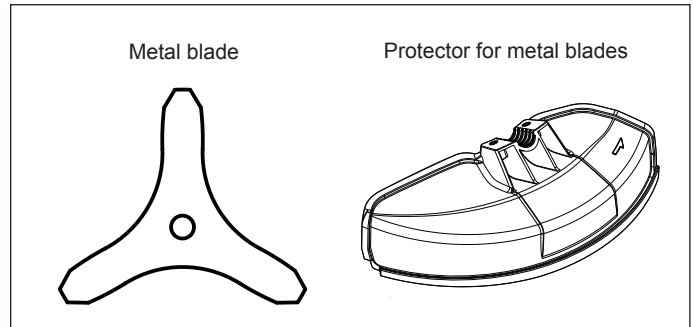
Be sure to use genuine DOLMAR cutter blades or nylon cutting head.

- The cutter blade must be well polished, free of cracks or breakage. If the cutter blade hits against a stone during operation, stop the engine and check the blade immediately.
- Resharpener or replace the cutter blade every three hours of operation.
- If the nylon cutting head hits against a stone during operation, stop the engine and check the nylon cutting head immediately.

CAUTION: The appropriate protector must always be installed, for your own safety and in order to comply with accident-prevention regulations.

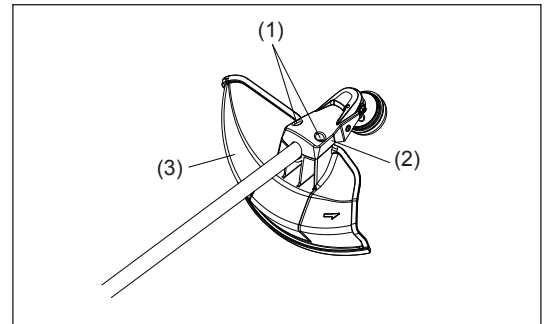
Operation of the equipment without the guard being in place is not permitted.

The outside diameter of the cutter blade must be 255 mm (10"). Cutter blades with outside diameter of 305 mm or 12 inches can be used only for those with three blades.



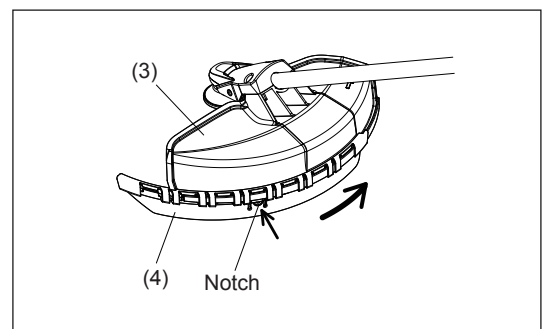
- In use of the metal blade, fix the protector (3) to the clamp (2) with two bolts M6 x 30 (1).

NOTE: Tighten the right and left bolts evenly so that the gap between the clamp (2) and the protector (3) will be constant. Otherwise, the protector sometimes may not function as specified.



- In cases where the nylon cord cutter is to be used, be sure to mount the nylon cord cutter protector (4) onto the metal blade protector (3).
- Mount the nylon cord cutter protector (4) by holding down its central notch while sliding it into place from the flank of the metal blade protector (3).
- Remove tape adhered to cutter, which cuts nylon cord, on nylon cord cutter protector (4).

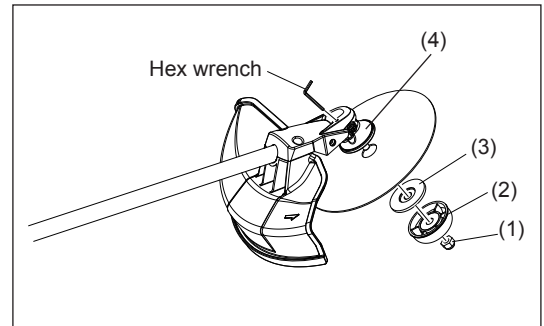
CAUTION: Be sure to push in nylon cord cutter protector (4) until it is fully inserted. Take care not to injure yourself on the cutter for cutting the nylon cord.



MOUNTING OF CUTTER BLADE OR NYLON CUTTING HEAD

Turn the machine upside down, and you can replace the cutter blade or nylon cutting head easily.

- Insert the hex wrench through the hole in the gear case and rotate the receiver washer (4) until it is locked with the hex wrench.
- Loosen the nut (1) (left-hand thread) with the socket wrench and remove the nut (1), cup (2), and clamp washer (3).



Mounting of cutterblade

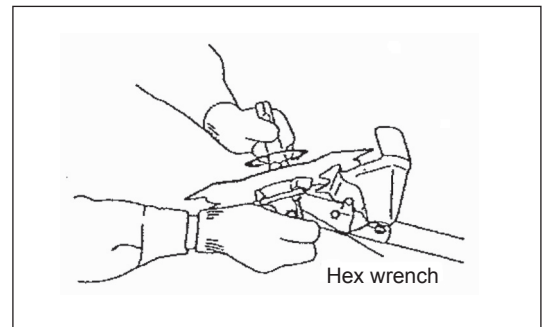
With the hex wrench still in place.

- Mount the cutter blade onto the shaft so that the guide of the receiver washer (4) fits in the arbor hole in the cutter blade. Install the clamp washer (3), cup (2), and secure the cutter blade with the nut (1).
[Tightening torque: 13 - 23 N-m]

NOTE: Always wear gloves when handling the cutter blade.

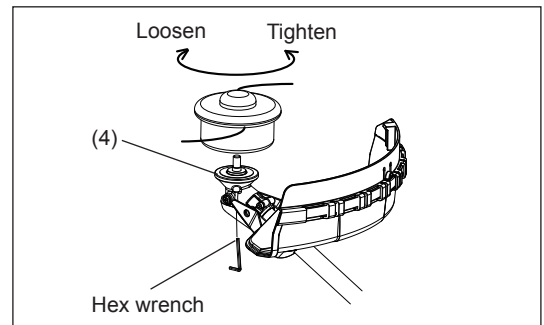
NOTE: The cutter blade-fastening nut (with spring washer) is a consumable part.

If there appears any wear or deformation on the spring washer, replace the nut.

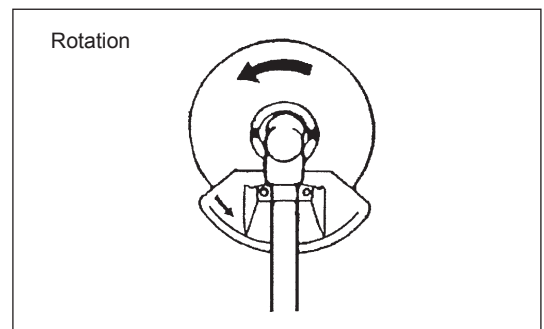


Mounting of nylon cutting head

- The clamp washer (3), cup (2), and nut (1) are not necessary for mounting the nylon cutting head. The nylon cutting head should go on top of the receiver washer (4).
- Insert the hex wrench through the hole in the gear case and rotate the receiver washer (4) until it is locked with the hex wrench.
- Then screw the nylon cutting head onto the shaft by turning it counter-clockwise.
- Remove the hex wrench.



- Make sure that the blade is the left way up.



BEFORE START OF OPERATION

Inspection and refill of engine oil

- Perform the following procedure, with the engine cooled down.
- While keeping the engine level, remove the oil gauge, and confirm that the oil is filled within the upper and lower limit marks. When the oil is in short in such a way that the oil gauge touches the oil only by its tip, in particular with the oil gauge remaining inserted in the crankcase without screwing-in (Fig. 1), refill new oil near the port (Fig. 2).
- For reference, the oil refill time is about 15 h (refill frequency: 15 times).
If the oil changes in color or mixes with dirt, replace it with new one. (For the interval and method of replacement, refer to P19 - 20)

Recommended oil: SAE 10W-30 oil of API Classification, Class SF or higher (4-stroke engine for automobile)

Oil volume: Approx. 0.1 L

Note: If the engine is not kept upright, oil may go into around the engine, and may be refilled excessively.
If the oil is filled above the limit, the oil may be contaminated or may catch fire with white smoke.

Point 1 in Replacement of oil: "Oil gauge"

- Remove dust or dirt near the oil refill port, and detach the oil gauge.
- Keep the detached oil gauge free of sand or dust. Otherwise, any sand or dust adhering to the oil gauge may cause irregular oil circulation or wear on the engine parts, which will result in troubles.
- As an example to keep the oil gauge clean, it is recommended to insert the oil gauge on its knob side into the engine cover, as shown in Fig. 3.

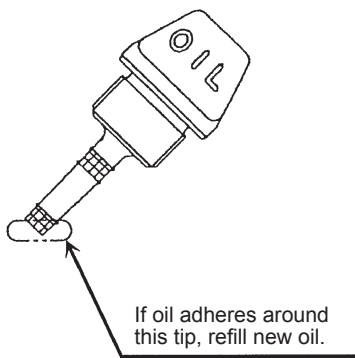


Fig. 1

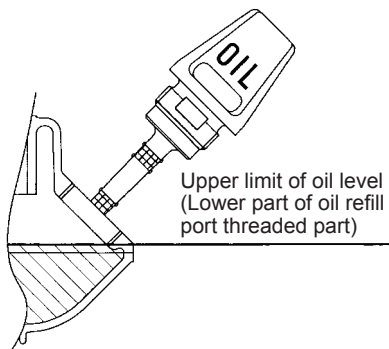


Fig. 2

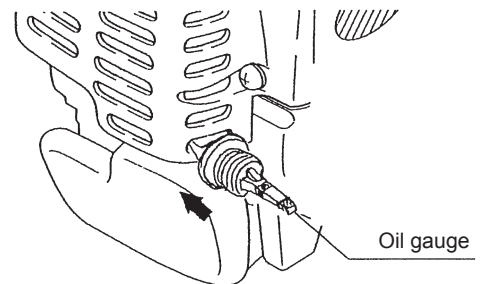
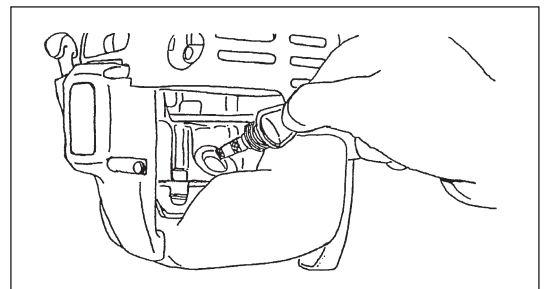
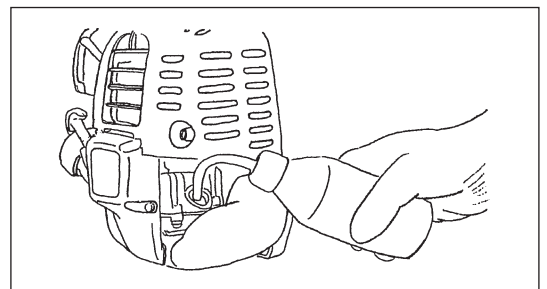


Fig. 3

- (1) Keep the engine level, and detach the oil gauge.



- (2) Fill oil up to the edge of the oil refill port. (Refer to Fig. 2).
Feed oil with the lubricant refill container.



- (3) Securely tighten the oil gauge. Insufficient tightening may cause oil leakage.

Point 2 in Replacement of oil: "If oil spills out"

- If oil spills out between the fuel tank and engine main unit, the oil is sucked into through the cooling air intake port, which will contaminate the engine. Be sure to wipe out spilt oil before start of operation.

REFUELING

Handling of fuel

It is necessary to handle fuel with utmost care. Fuel may contain substances similar to solvents. Refueling must be performed in a sufficiently ventilated room or in the open air. Never inhale fuel vapor, and keep fuel away from you. If you touch fuel repeatedly or for a long time, the skin becomes dry, which may cause skin disease or allergy. If fuel enters into the eye, clean the eye with fresh water. If your eye remains still irritated, consult your doctor.

Storage period of fuel

Fuel should be used up within a period of 4 weeks, even if it is kept in a special container in a well-ventilated shade. If a special container is not used or if the container is not covered, fuel may deteriorate in one day.

STORAGE OF MACHINE AND REFILL TANK

- Keep the machine and tank at a cool place free from direct sunshine.
- Never keep the fuel in the cabin or trunk.

Fuel

The engine is a four-stroke engine. Be sure to use an automobile gasoline (regular gasoline or premium gasoline).

Points for fuel

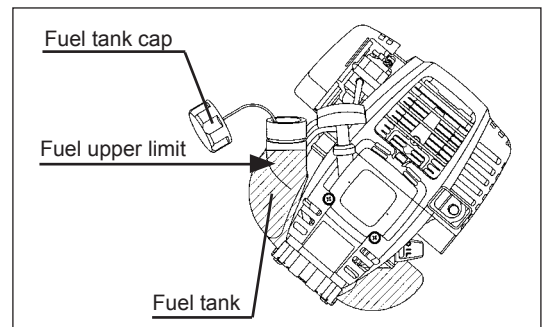
- Never use a gasoline mixture which contains engine oil. Otherwise, it will cause excessive carbon accumulation or mechanical troubles.
- Use of deteriorated oil will cause irregular startup.

Refueling

WARNING: INFLAMMABLES STRICTLY PROHIBITED

Gasoline used: Automobile gasoline (unleaded gasoline)

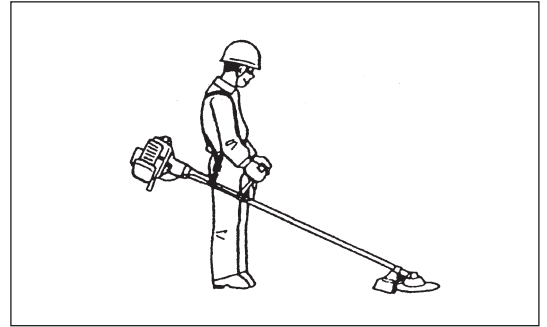
- Loosen the tank cap a little so that there will be no difference in atmospheric pressure.
 - Detach the tank cap, and refuel, discharging air by tilting the fuel tank so that the refuel port will be oriented upward. (Never refill fuel full to the oil refill port.)
 - Wipe well the periphery of the tank cap to prevent foreign matter from entering into the fuel tank.
 - After refueling, securely tighten the tank cap.
-
- If there is any flaw or damage on the tank cap, replace it.
 - The tank cap is consumable, and therefore should be renewed every two to three years.



CORRECT HANDLING OF MACHINE

Attachment of shoulder strap

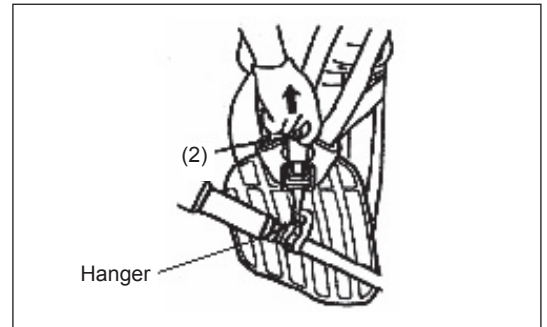
- Adjust the strap length so that the cutter blade will be kept parallel with the ground.



Detachment

- In case of emergency, remove the emergency detachment lever (2) by pulling strongly with a finger. The machine will detach from body. Be extremely careful to maintain control of the machine at this time. Do not allow the machine to be deflected toward you or anyone in the work vicinity.

WARNING: Failure to maintain complete control of the machine at all could result in serious bodily injury or DEATH.



POINTS IN OPERATION AND HOW TO STOP

Observe the applicable accident prevention regulations!

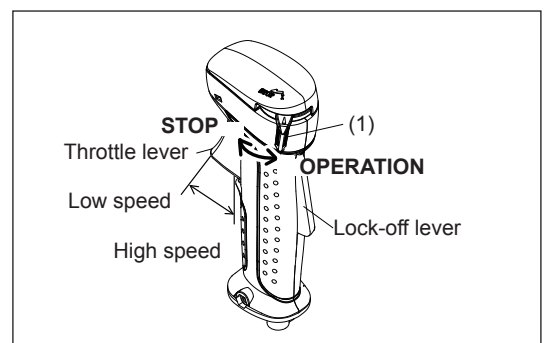


STARTING

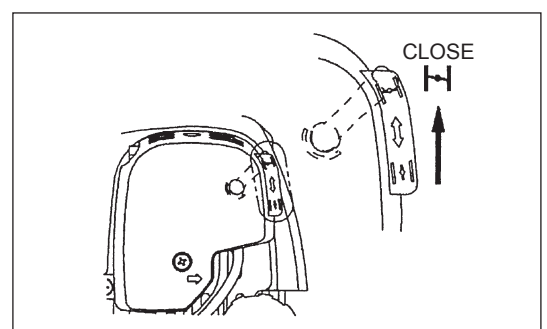
Move at least 3 m away from the place of refuelling. Place the Petrol Brushcutter on a clean piece of ground taking care that the cutting tool does not come into contact with the ground or any other objects.

A: Cold start

- 1) Set this machine on a flat space.

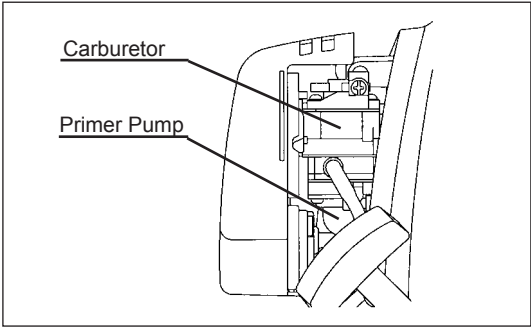


- 2) Set the I-O switch (1) to OPERATION.
- 3) Choke lever
Close the choke lever.
Choke opening:
 - Full closing in cold or when the engine is cold.
 - Full or half opening in restart just after stop of operation.



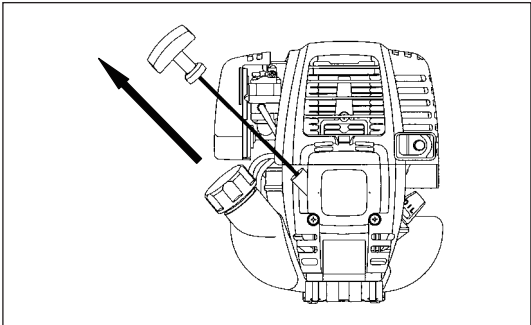
4) Primer pump

Continue to push the primer pump until fuel enters into the primer pump. (In general, fuel enters into the primer pump by 7 to 10 pushes.)
If the primer pump is pushed excessively, an excess of gasoline returns to the fuel tank.



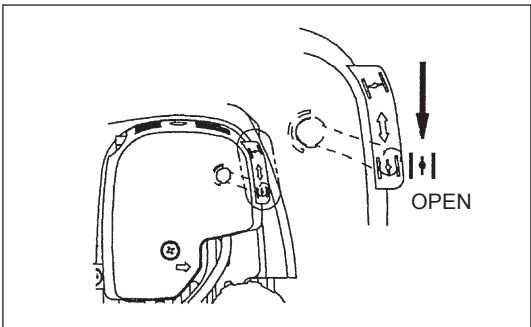
5) Recoil starter

Pull the start knob gently until it is hard to pull (compression point). Then, return the start knob, and pull it strongly.
Never pull the rope to the full. Once the start knob is pulled, never release your hand immediately. Hold the start knob until it returns to its original point.



6) Choke lever

When the engine starts, open the choke lever.
– Open the choke lever progressively while checking the engine operation. Be sure to open the choke lever to the full in the end.
– In cold or when the engine is cooled down, never open the choke lever suddenly. Otherwise, the engine may stop.



7) Warm-up operation

Continue warm-up operation for 2 to 3 minutes.

Note: –If the starter handle is pulled repeatedly when the choke lever remains at “CLOSE” position, the engine will not start easily due to excessive fuel intake.
–In case of excessive fuel intake, remove the spark plug and pull the starter handle slowly to remove excess fuel. Also, dry the electrode section of the spark plug.

Caution during operation:

If the throttle lever is opened fully in a no-load operation, the engine rotation is increased to 10,000 min⁻¹ or more. Never operate the engine at a higher speed than required and at an approximate speed of 6,000 - 8,500 min⁻¹.

B: Startup after warm-up operation

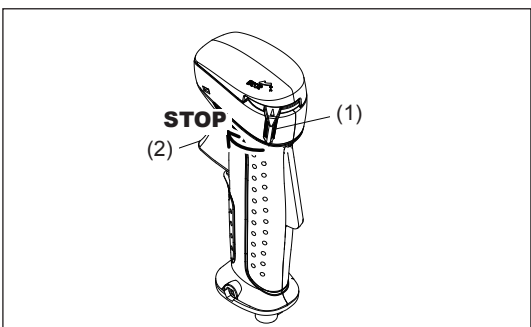
- 1) Push the primer pump repeatedly.
- 2) Keep the throttle lever at the idling position.
- 3) Pull the recoil starter strongly.
- 4) If it is difficult to start the engine, open the throttle by about 1/3. Pay attention to the cutter blade which may rotate.

Attention in Operation

When the engine is operated upside down, white smoke may come out from the muffler.

STOPPING

- 1) Release the throttle lever (2) fully, and when the engine rpm has lowered, set the I-O switch to STOP the engine will now stop.
- 2) Be aware that the cutting head may not stop immediately and allow it to slow down fully.



Operation of Throttle Lever

With the throttle lever main unit held by hand (with the lock-off lever pushed), pull the throttle lever and the engine rotation will be increased. Release the throttle lever, and the engine will run idle again. Release the hand from the throttle lever main unit, and the lock-off lever will return automatically so that the throttle lever will not be pulled by mistake.

Adjustment of Engine ROTATION

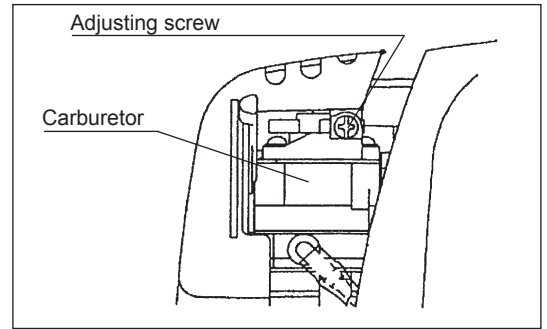
When adjusting the engine rotation with the throttle lever opened to the full, turn the throttle control dial. Turn the dial clockwise, and the engine rotation will be reduced. Turn the dial counterclockwise, and the engine rotation will be increased.

ADJUSTMENT OF LOW-SPEED ROTATION (IDLING)

When it is necessary to adjust the low-speed rotation (idling), perform it by the carburetor adjusting screw.

CHECKUP OF LOW-SPEED ROTATION

- Set the low-speed rotation to 3,000 min⁻¹.
If it is necessary to change the rotation speed, regulate the adjusting screw (illustrated on the left), with Phillips screwdriver.
- Turn the adjusting screw to the right, and the engine rotation will increase. Turn the adjusting screw to the left, and the engine rotation will drop.
- The carburetor is generally adjusted before shipment. If it is necessary to readjust it, please contact Authorized Service Agent.



RESHARPENING THE CUTTING TOOL



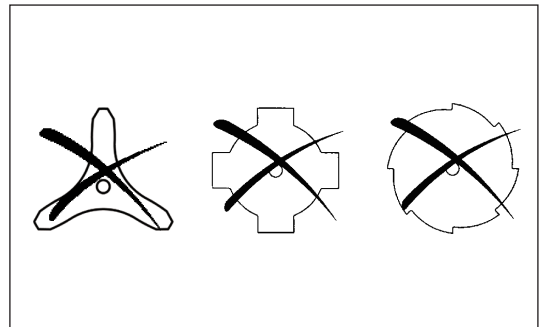
CAUTION:

The cutting tools mentioned below must only be resharpened by an authorized facility. Manual resharpening will result in imbalances of the cutting tool causing vibrations and damage to the equipment.

- cutter blade
An expert resharpening and balancing service is provided by Authorized Service Agents.

NOTE:

To increase the service life of the cutter blade it may be turned over once, until both cutting edges have become blunt.



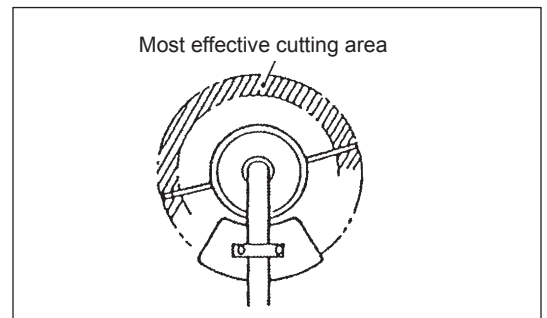
NYLON CUTTING HEAD

The nylon cutting head is a dual Petrol Brushcutter head capable of both automatic and bump & feed mechanisms.

The nylon cutting head will automatically feed out the proper length of nylon cord by the changes in centrifugal force caused by increasing or decreasing rpms. However, to cut soft grass more efficiently, bump the nylon cutting head against the ground to feed out extra cord as indicated under operation section.

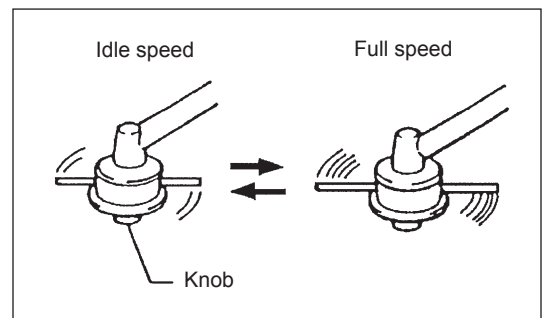
Operation

- Increase the nylon cutting head speed to approx. 6,000 min⁻¹.
Low speed (under 4,800 min⁻¹) is not suitable, the nylon cord will not feed out properly at low speed.
- The most effective cutting area is shown by the shaded area.



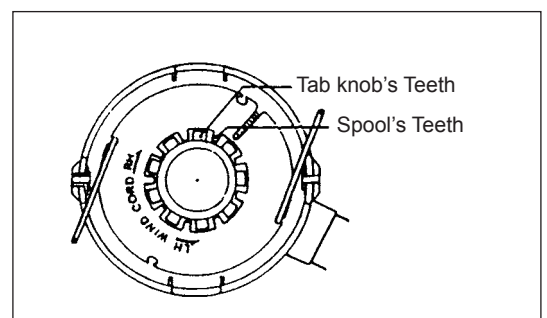
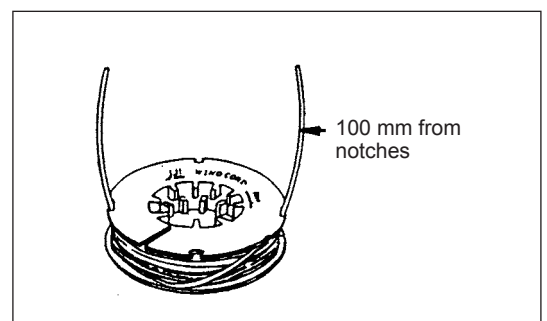
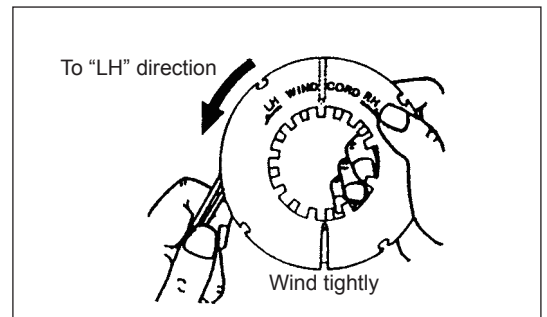
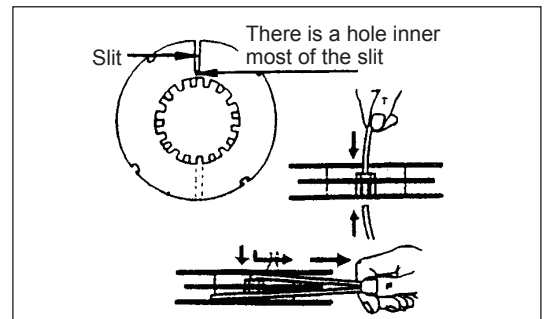
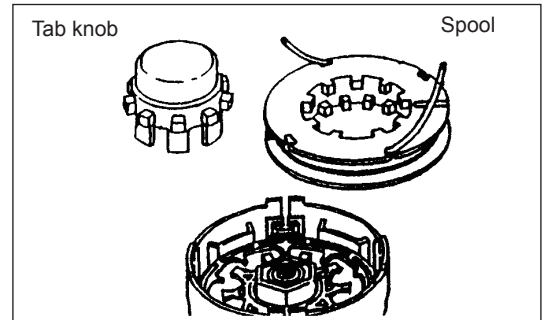
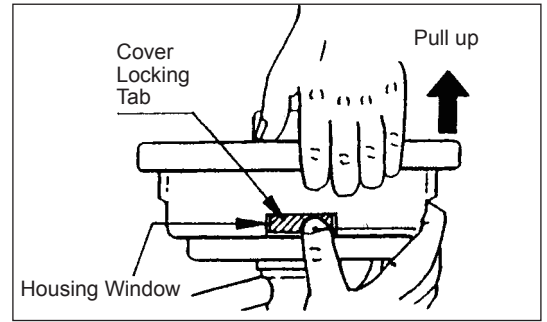
If the nylon cord does not feed out automatically proceed as follows:

1. Release the throttle lever to run the engine idle and then squeeze the throttle lever fully. Repeat this procedure until the nylon cord feeds out to the proper length.
2. If the nylon cord is too short to feed out automatically with the above procedure, bump the knob of the nylon cutting head against the ground to feed out the nylon cord.
3. If the nylon cord does not feed out with procedure 2, rewind/replace the nylon cord by following the procedures described under "Replacing the nylon cord."

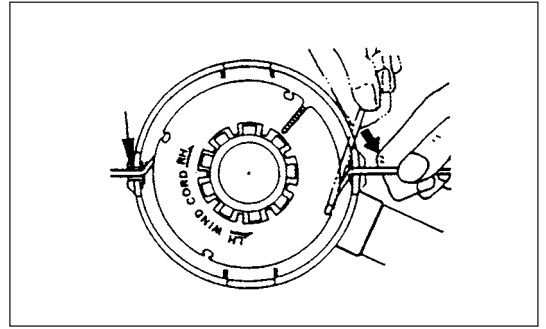


Replacing the nylon cord

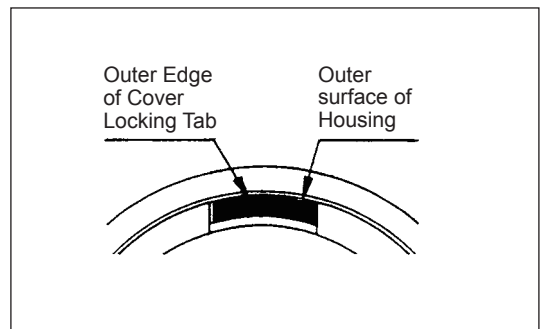
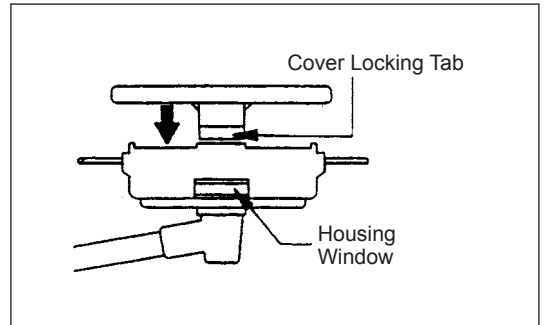
- Put off cover from housing, pressing two cover locking tabs located oppositely on side of the housing.
- Take off tap knob and spool from the housing.
- Put each one end of two cutting lines into each holes at inner most of the slot on one of spool outer flanges. Put the lines into spool gutters through each slit on the flanges.
- Wind the lines up firmly to the direction shown by left-hand (LH) arrow on the flange. Do not cross the lines.
- Wind all but about 100 mm (3-15/16") of the Cords, leaving the end temporarily hooked through a notch on the side of the spool.
- Put tap knob onto the housing hub, positioning it can freely move up and down against spring tension. Put the spool into the housing, aligning the teeth on spool and tap knob alternately like gears.



7. Put in the cutting lines through the slot of eyelets.



8. Put the cover onto the housing, aligning the tabs on cover and the windows on housing. Make sure the cover is secured exactly to the housing. Outer edge of cover locking tab and outer surface of the housing should be on same circumference.



SERVICING INSTRUCTIONS

CAUTION: Before doing any work on the Petrol Brushcutter, always stop the engine and pull the plug cap off the spark plug (see "checking the spark plug").
Always wear protective gloves!

To ensure a long service life and to avoid any damage to the equipment, the following servicing operations should be performed at regular intervals.

Daily checkup and maintenance

- Before operation, check the machine for loose screws or missing parts. Pay particular attention to the tightness of the cutter blade or nylon cutting head.
- Before operation, always check for clogging of the cooling air passage and the cylinder fins. Clean them if necessary.
- Perform the following work daily after use:
 - Clean the Petrol Brushcutter externally and inspect for damage.
 - Clean the air filter. When working under extremely dusty conditions, clean the filter the several times a day.
 - Check the blade or the nylon cutting head for damage and make sure it is firmly mounted.
 - Check that there is sufficient difference between idling and engagement speed to ensure that the cutting tool is at a standstill while the engine is idling (if necessary reduce idling speed).
If under idling conditions the tool should still continue to run, consult your nearest Authorized Service Agent.
- Check the functioning of the I-O switch, the lock-off lever, the control lever, and the Lock button.

REPLACEMENT OF ENGINE OIL

Deteriorated engine oil will shorten the life of the sliding and rotating parts to a great extent. Be sure to check the period and quantity of replacement.

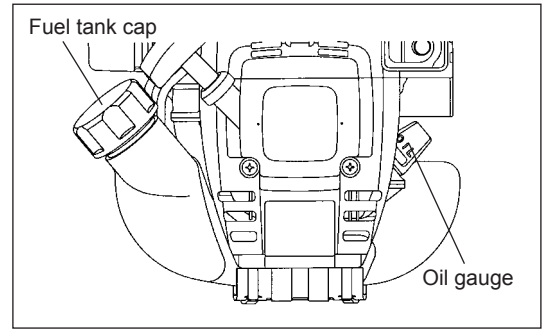


ATTENTION: In general, the engine main unit and engine oil still remain hot just after the engine is stopped. In replacement of oil, confirm that the engine main unit and engine oil are sufficiently cooled down. Otherwise, there may remain a risk of scald.

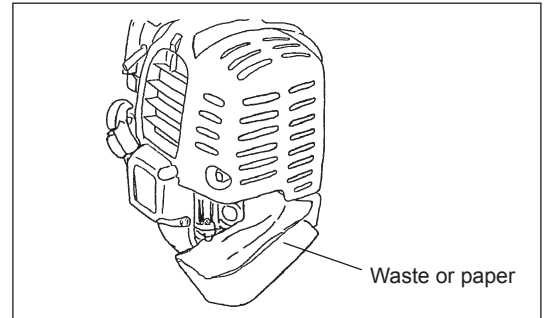
Note: If the oil filled above the limit, it may be contaminated or may catch fire with white smoke.

Interval of replacement: Initially, every 20 operating hours, and subsequently every 50 operating hours
Recommended oil: SAE10W-30 oil of API Classification SF Class or higher (4-stroke engine oil for automobile)

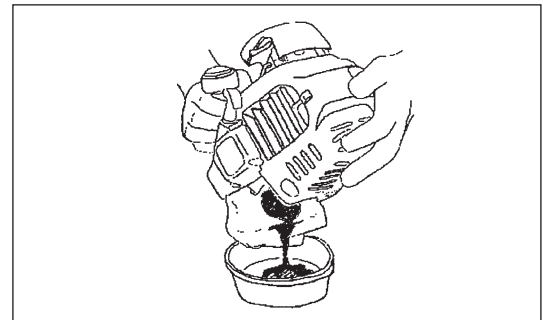
- In replacement, perform the following procedure.
- 1) Confirm that the tank cap is tightened securely.
 - 2) Detach the oil gauge.
Keep the oil gauge free from dust or dirt.



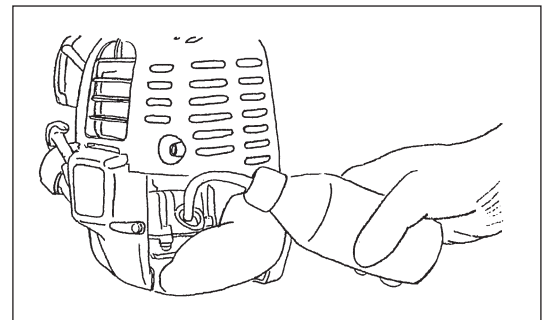
- 3) Place waste or paper near the oil refill port.



- 4) Detach the oil gauge, and drain oil, tilting the main unit toward the oil refill port.
Drain oil in a container for orderly disposal.



- 5) Keep the engine level, and feed new oil up to the edge of the oil refill port.
In refill, use a lubricant refill container.
- 6) After refill, securely tighten the oil gauge. Insufficient tightening of the oil gauge will lead to oil leakage.



POINTS ON OIL

- Never discard replaced engine oil in garbage, earth or sewage ditch. Disposal of oil is regulated by law. In disposal, always follow the relevant laws and regulations. For any points remaining unknown, contact Authorized Service Agent.
- Oil will deteriorate even when it is kept unused. Perform inspection and replacement at regular intervals (replace with new oil every 6 months).

CLEANING OF AIR CLEANER



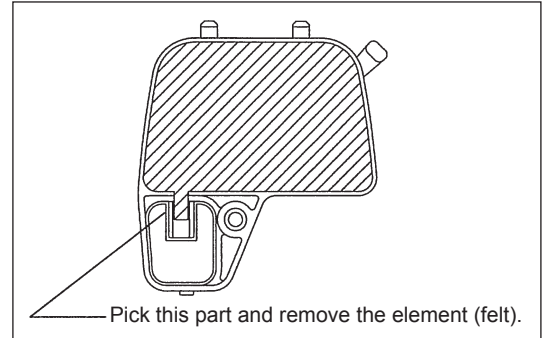
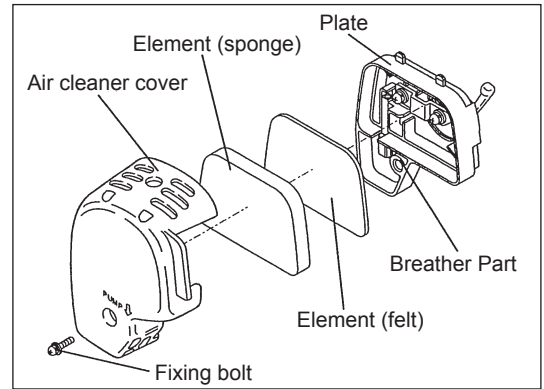
DANGER: INFLAMMABLES STRICTLY PROHIBITED

Interval of Cleaning and Inspection: Daily (every 10 operating hours)

- Turn the choke lever to the full close side, and keep the carburetor off from dust or dirt.
- Remove the air cleaner cover-fixing bolts.
- Pull the cover lower side and detach the air cleaner cover.
- If oil adheres to the element (sponge), squeeze it firmly.
- For heavy contamination:
 - 1) Remove the element (sponge), immerse it in warm water or in water-diluted neutral detergent, and dry it completely.
 - 2) Clean the element (felt) with gasoline, and dry it completely.
- Before attaching the element, be sure to dry it completely. Insufficient drying of the element may lead to difficult startup.
- Wipe out with waste cloth, oil adhering around the air cleaner cover and plate breather.
- Immediately after cleaning is finished, attach the cleaner cover and tighten it with fixing bolts. (In remounting, first place the upper claw, and then the lower claw.)

Points in handling air cleaner element

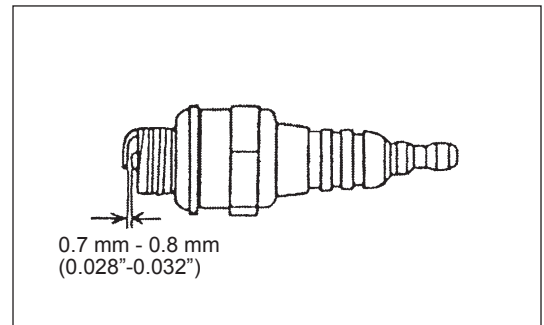
- Clean the element several times a day, if excessive dust adheres to it.
- If operation continues with the element remaining not cleared of oil, oil in the air cleaner may fall outside, resulting in oil contamination.



CHECKING THE SPARK PLUG

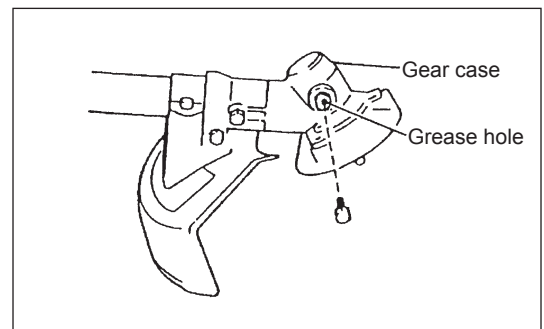
- Only use the supplied universal wrench to remove or to install the spark plug.
- The gap between the two electrodes of the spark plug should be 0.7 - 0.8 mm (0.028"-0.032"). If the gap is too wide or too narrow, adjust it. If the spark plug is clogged or contaminated, clean it thoroughly or replace it.

CAUTION: Never touch the spark plug connector while the engine is running (danger of high voltage electric shock).



SUPPLY OF GREASE TO GEAR CASE

- Supply grease (Shell Alvania 2 or equivalent) to the gear case through the grease hole every 30 hours. (Genuine DOLMAR grease may be purchased from your DOLMAR dealer.)



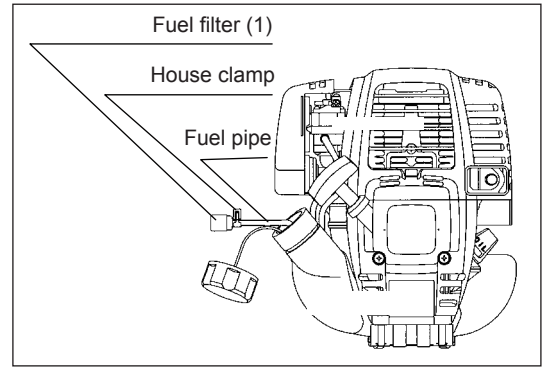
CLEANING OF FUEL FILTER

WARNING: INFLAMMABLES STRICTLY PROHIBITED

Interval of Cleaning and Inspection: Monthly (every 50 operating hours)

Suction head in the fuel tank

- The fuel filter (1) of the suction head is used to filter the fuel required by the carburetor.
- A periodical visual inspection of the fuel filter is to be conducted. For that purpose open the tank cap, use a wire hook and pull out the suction head through the tank opening. Filters found to have hardened, been polluted or clogged up are to be replaced.
- Insufficient fuel supply can result in the admissible maximum speed being exceeded. It is therefore important to replace the fuel filter at least quarterly to ensure satisfactory fuel supply to the carburetor.



REPLACEMENT OF FUEL PIPE

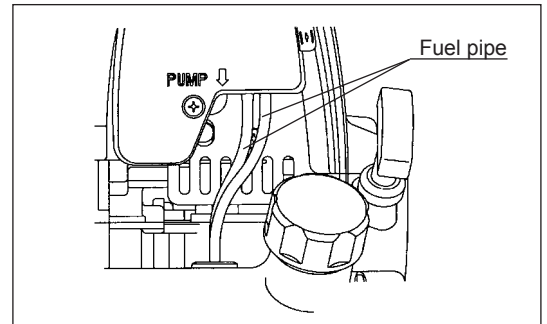
CAUTION: INFLAMMABLES STRICTLY PROHIBITED

Interval of Cleaning and Inspection: Daily (every 10 operating hours)

Replacement: Annually (every 200 operating hours)

Replace the fuel pipe every year, regardless of operating frequency. Fuel leakage may lead to fire.

If any leakage is detected during inspection, replace the oil pipe immediately.



INSPECTION OF BOLTS, NUTS AND SCREWS

- Retighten loose bolts, nuts, etc.
- Check for fuel and oil leakage.
- Replace damaged parts with new ones for safety operation.

CLEANING OF PARTS

- Keep the engine always clean.
- Keep the cylinder fins free of dust or dirt. Dust or dirt adhering to the fins will cause piston seizure.

REPLACEMENT OF GASKETS AND PACKINGS

In reassembling after the engine is dismantled, be sure to replace the gaskets and packings with new ones.

Any maintenance of adjustment work that is not included and described in this manual is only to be performed by Authorized Service Agents.

STORAGE

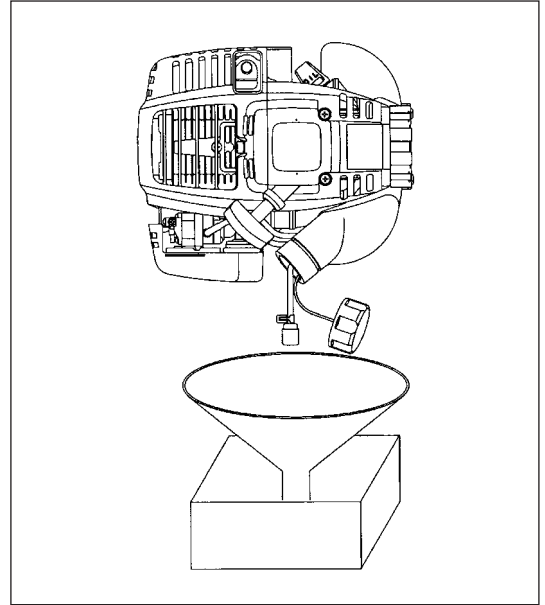


WARNING: When draining the fuel, be sure to stop the engine and confirm that the engine cools down. Just after stopping the engine, it may still hot with possibility of burns, inflammability and fire.



ATTENTION: When the machine is kept out of operation for a long time, drain up all fuel from the fuel tank and carburetor, and keep it at a dry and clean place.

- Drain up fuel from the fuel tank and carburetor according to the following procedure:
 - 1) Remove the fuel tank cap, and drain fuel completely.
If there is any foreign matter remaining in the fuel tank, remove it completely.
 - 2) Pull out the fuel filter from the refill port using a wire.
 - 3) Push the primer pump until fuel is drained from there, and drain fuel coming into the fuel tank.
 - 4) Reset the filter to the fuel tank, and securely tighten the fuel tank cap.
 - 5) Then, continue to operate the engine until it stops.
- Remove the spark plug, and drip several drops of engine oil through the spark plug hole.
- Gently pull the starter handle so that engine oil will spread over the engine, and attach the spark plug.
- Attach the cover to the cutter blade.
- During storage, keep the rod horizontal or keep the machine upright with the blade edge oriented upward. (In this case, pay full attention to prevent the machine from falling.)
Never store the machine with the cutter blade edge oriented downward. Lubricating oil may spill out.
- Keep the drained fuel in a special container in a well-ventilated shade.



Attention after long-time storage

- Before startup after long-time shutdown, be sure to replace oil (refer to P 18). Oil will deteriorate while the machine is kept out of operation.

Fault location

Fault	System	Observation	Cause
Engine not starting or with difficulty	Ignition system	Ignition spark O.K.	Fault in fuel supply or compression system, mechanical defect
		No ignition spark	STOP-switch operated, wiring fault or short circuit, spark plug or connector defective, ignition module faulty
	Fuel supply	Fuel tank filled	Incorrect choke position, carburetor defective, fuel supply line bent or blocked, fuel dirty
	Compression	No compression when pulled over	Cylinder bottom gasket defective, crankshaft seals damaged, cylinder or piston rings defective or improper sealing of spark plug
Warm start problems	Mechanical fault	Starter not engaging	Broken starter spring, broken parts inside of the engine
		Tank filled ignition spark existing	Carburetor contaminated, have it cleaned
Engine starts but dies	Fuel supply	Tank filled	Incorrect idling adjustment, carburetor contaminated Fuel tank vent defective, fuel supply line interrupted, cable or STOP-switch faulty
Insufficient performance	Several systems may simultaneously be affected	Engine idling poor	Air filter contaminated, carburetor contaminated, muffler clogged, exhaust duct in the cylinder clogged

Item	Operating time	Before operation	After lubrication	Daily (10h)	30h	50h	200h	Shutdown/rest	Corresponding P
Engine oil	Inspect/clean	○							13
	Replace					○*1			19
Tightening parts (bolt, nut)	Inspect	○							22
Fuel tank	Clean/inspect	○							—
	Drain fuel							○*3	23
Throttle lever	Check function		○						—
Stop switch	Check function		○						16
Cutting blade	Inspect	○		○					11
Low-speed rotation	Inspect/adjust			○					17
Air cleaner	Clean			○					21
Ignition plug	Inspect			○					21
Cooling air duct	Clean/inspect			○					22
Fuel pipe	Inspect			○					22
	Replace						◎*2		—
Gear-case grease	Refill				○				21
Fuel filter	Clean/replace					○			22
Clearance between air intake valve and air discharge valve	Adjust						◎*2		—
Oil tube	Inspect						◎*2		
Engine overhaul							◎*2		—
Carburetor	Drain fuel							○*3	23

*1 Perform initial replacement after 20h operation.

*2 For the 200 operating hour inspection, request Authorized Service Agent or a machine shop.

*3 After emptying the fuel tank, continue to run the engine and drain fuel in the carburetor.

TROUBLESHOOTING

Before making a request for repairs, check a trouble for yourself. If any abnormality is found, control your machine according to the description of this manual. Never tamper or dismount any part contrary to the description. For repairs, contact Authorized Service Agent or local dealership.

State of abnormality	Probable cause (malfunction)	Remedy
Engine does not start	Failure to operate primer pump	Push 7 to 10 times
	Low pulling speed of starter rope	Pull strongly
	Lack of fuel	Feed fuel
	Clogged fuel filter	Clean
	Broken fuel tube	Straighten fuel tube
	Deteriorated fuel	Deteriorated fuel makes starting more difficult. Replace with new one. (Recommended replacement: 1 month)
	Excessive suction of fuel	Set throttle lever from medium speed to high speed, and pull starter handle until engine starts. Once engine starts, cutter blade starts rotating. Pay full attention to cutter blade. If engine will not start still, remove spark plug, make electrode dry, and reassemble them as they originally are. Then, start as specified.
	Detached plug cap	Attach securely
	Contaminated spark plug	Clean
	Abnormal clearance of spark plug	Adjust clearance
	Other abnormality of spark plug	Replace
	Abnormal carburetor	Make request for inspection and maintenance.
	Starter rope cannot be pulled	Make request for inspection and maintenance.
	Abnormal drive system	Make request for inspection and maintenance.
Engine stops soon Engine speed does not increase	Insufficient warm-up	Perform warm-up operation
	Choke lever is set to "CLOSE" although engine is warmed up.	Set to "OPEN"
	Clogged fuel filter	Clean
	Contaminated or clogged air cleaner	Clean
	Abnormal carburetor	Make request for inspection and maintenance.
	Abnormal drive system	Make request for inspection and maintenance.
Cutter blade does not rotate ↓ Stop engine immediately	Loosened cutter blade-tightening nut	Tighten securely
	Twigs caught by cutter blade or dispersion-preventing cover.	Remove foreign matter
	Abnormal drive system	Make request for inspection and maintenance.
Main unit vibrates abnormally ↓ Stop engine immediately	Broken, bent or worn cutter blade	Replace cutter blade
	Loosened cutter blade-tightening nut	Tighten securely
	Shifted convex part of cutter blade and cutter blade support fitting.	Attach securely
	Abnormal drive system	Make request for inspection and maintenance.
Cutter blade does not stop immediately ↓ Stop engine immediately	High idling rotation	Adjust
	Detached throttle wire	Attach securely
	Abnormal drive system	Make request for inspection and maintenance.
Engine does not stop ↓ Run engine at idling, and set choke lever to CLOSE	Detached connector	Attach securely
	Abnormal electric system	Make request for inspection and maintenance.

When the engine does not start after warm-up operation:

If there is no abnormality found for the check items, open the throttle by about 1/3 and start the engine.

Merci pour votre achat de cette débroussailleuse thermique de DOLMAR. Nous sommes ravis de vous proposer la débroussailleuse thermique de DOLMAR, résultat d'un long programme de développement et de nombreuses années d'expérience et de connaissances.

Veillez lire ce livret qui explique en détails les nombreuses caractéristiques qui en font un outil d'une performance exceptionnelle. Il vous aidera à obtenir le meilleur résultat possible avec votre débroussailleuse thermique de DOLMAR.



Table des matières	Page
Symboles.....	26
Consignes de sécurité.....	27
Données techniques	31
Nomenclature des pièces	32
Montage de la poignée	33
Montage du dispositif de protection.....	34
Montage du couteau ou de la tête à fil en nylon.....	35
Avant de commencer.....	36
Maniement correct de la machine	38
Avertissement de fonctionnement et comment l'arrêter	38
Réaffûtage du couteau	40
Instructions d'entretien	42
Entreposage	46

SYMBOLES

Le mode d'emploi contient les symboles suivants.

	Lisez le mode d'emploi et suivez les avertissements et les précautions de sécurité !		Portez un casque protecteur, des lunettes de protection et des protège-oreilles !
	Usez d'attention et de soins tout particulier !		Vitesse d'outil maximale autorisée
	Interdit !		Carburant (Essence)
	Restez à distance !		Démarrage manuel du moteur
	Danger d'objets volants !		Arrêt d'urgence
	Ne fumez pas !		Premier secours
	Pas de flammes nues !		Recyclage
	Portez des gants de protection !		SOUS TENSION/DEMARRAGE
	Portez des bottes de sécurité avec des semelles antidérapantes. Les bottes de sécurité à doigts métalliques sont recommandées !		HORS TENSION/ARRET
	Choc en retour !		
	Eloignez les personnes et les animaux du lieu de travail !		

CONSIGNES DE SÉCURITÉ

Instructions générales

- Pour vous assurer d'une utilisation correcte, lisez ce mode d'emploi pour vous familiariser avec le fonctionnement de la débroussailleuse thermique. Sans ces informations, vous risquez de vous mettre en danger ou de blesser d'autres personnes à cause d'une utilisation incorrecte.
- Nous vous recommandons de prêter la débroussailleuse thermique uniquement à des personnes qui ont de l'expérience avec les débroussailleuses thermiques. Prêtez-leur systématiquement le mode d'emploi.
- Veuillez d'abord solliciter des instructions de base au vendeur afin de vous familiariser avec le fonctionnement d'un outil à moteur essence.
- Il est interdit aux enfants et à toute personne en dessous de 18 ans d'utiliser la débroussailleuse thermique. Les personnes de plus de 16 ans peuvent l'utiliser à des fins de formation, mais uniquement sous la supervision d'un formateur agréé.
- Utilisez les débroussailleuses thermiques avec le plus grand soin et attention.
- N'utilisez la débroussailleuse thermique que si vous êtes en bonne condition physique. Effectuez tout le travail avec calme et prudence. Vous êtes responsables par rapport aux autres personnes.
- N'utilisez jamais la débroussailleuse thermique après avoir consommé de l'alcool ou pris des médicaments, ou si vous vous sentez fatigué ou malade.

Utilisation prévue de l'outil

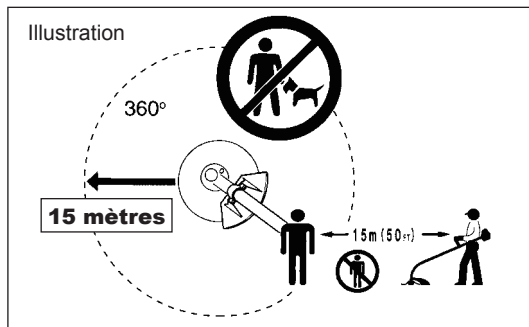
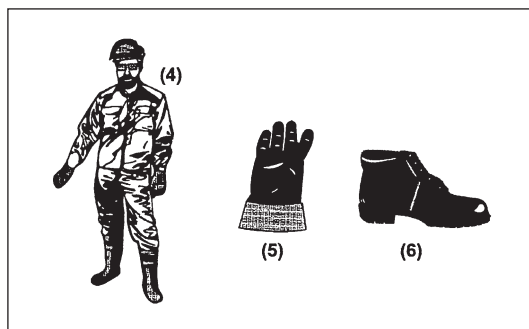
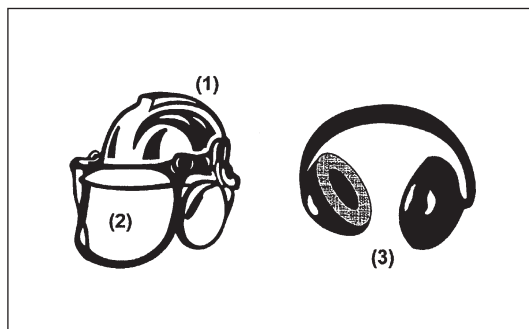
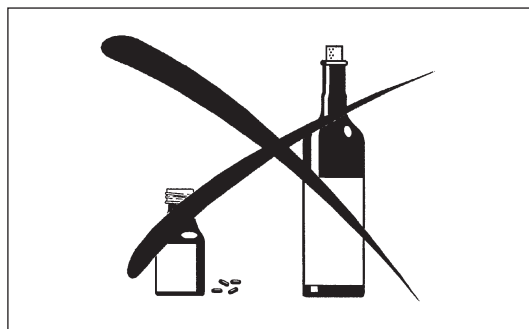
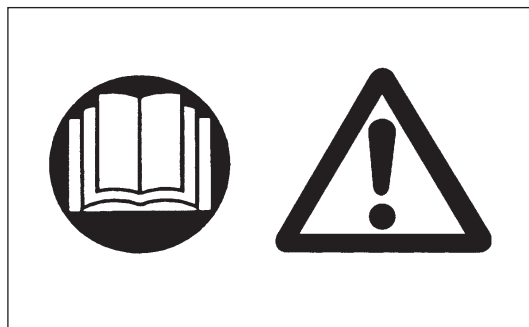
- L'usage de la débroussailleuse thermique est prévu pour couper de l'herbe, les taillis et autres petits arbustes : elle ne doit jamais être utilisée pour d'autres fins telles que le déblaiement ou tailler des haies car cela peut causer des blessures.

Dispositifs de protection individuelle

- Les vêtements que vous portez doivent être fonctionnels et appropriés, c'est-à-dire qu'ils doivent être près du corps, sans pour autant gêner vos mouvements. Ne portez pas de bijoux ou de vêtements qui pourraient s'emmêler dans les taillis ou les petits arbustes.
- L'équipement de protection suivant ainsi que les vêtements de protection doivent être utilisés tandis que vous utilisez la débroussailleuse thermique afin d'éviter des blessures au pied, à la main, aux yeux et à la tête ainsi que pour protéger votre ouïe durant l'utilisation.
- Portez toujours un casque où il y a un risque que des objets puissent tomber. Le casque de protection (1) doit être vérifié à des intervalles réguliers pour d'éventuels dommages et doit être remplacé au plus tard d'ici les 5 ans. N'utilisez que des casques de protection agréés.
- La visière (2) du casque (ou alternativement les lunettes) protège le visage des débris et des pierres qui volent. Durant l'utilisation de la débroussailleuse thermique, portez toujours des lunettes ou une visière afin d'empêcher toute blessure aux yeux.
- Portez un équipement de protection antibruit adéquate afin d'éviter tout impairment (coquilles antibruit (3), bouchons d'oreille etc.).
- Les vêtements de travail (4) protègent contre les débris et les pierres qui volent. Nous vous recommandons fortement de porter des vêtements de travail.
- Des gants spéciaux (5) en cuir épais font partie de l'équipement prescrit et doivent toujours être portés durant l'utilisation de la débroussailleuse thermique.
- Quand vous utilisez la débroussailleuse thermique, portez toujours des chaussures robustes (6) avec une semelle anti-dérapante. Elles vous protégeront de blessures éventuelles et vous assureront une bonne stabilité.

Démarrage de la débroussailleuse thermique

- Eloignez les personnes et les enfants du lieu de travail à une distance minimum de 15 mètres (50 pieds) et aussi faites attention aux animaux qui pourraient se trouver à proximité.
- Avant utilisation, vérifiez toujours que la débroussailleuse thermique puisse être utilisée en toute sécurité : Vérifiez la sécurité du couteau et que le levier de manœuvre puisse être facilement utilisé, et vérifiez également le bon fonctionnement du verrouillage du levier de manœuvre.
- La rotation du dispositif de coupe au repos est interdite. En cas de doute, vérifiez le réglage avec votre revendeur. Vérifiez que les poignées soient propres et sèches, ainsi que bon fonctionnement de l'interrupteur marche/arrêt.

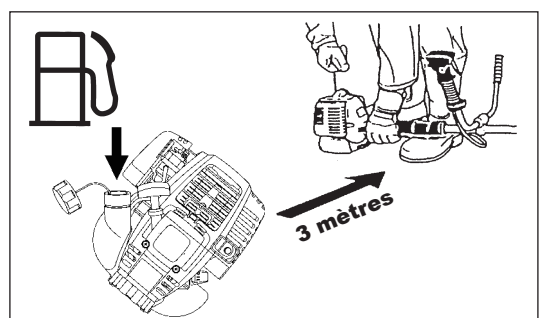
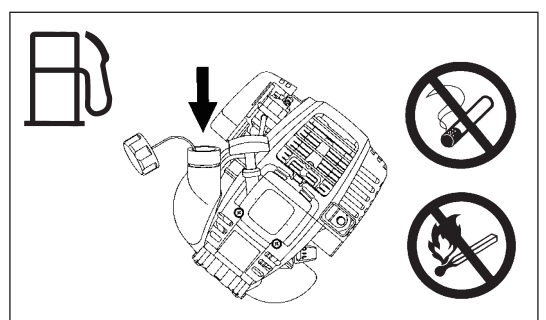
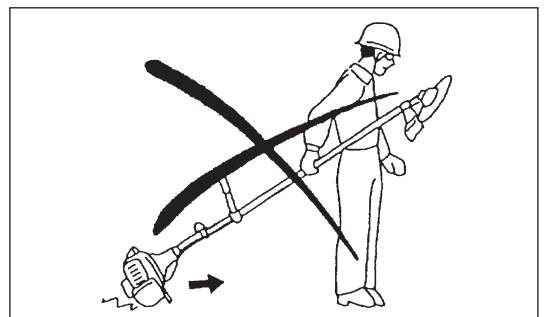
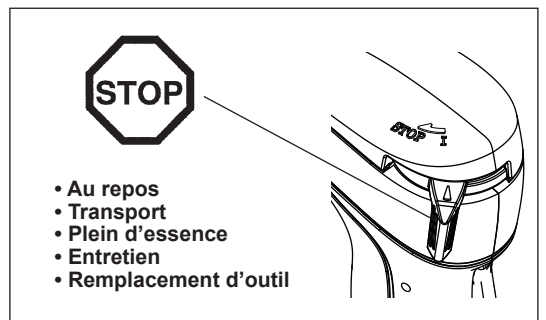
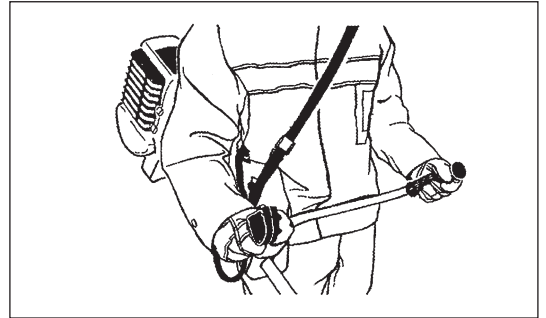
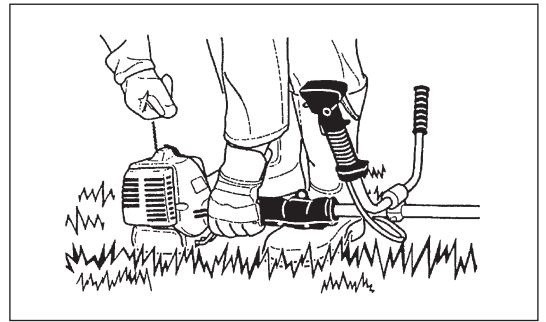


Ne démarrez la débroussailleuse thermique qu'en conformité avec les instructions.

- N'utilisez pas d'autre méthode pour démarrer le moteur !
- Utilisez uniquement la débroussailleuse thermique et les outils pour les usages indiqués.
- Ne démarrez le moteur de la débroussailleuse thermique qu'après que l'équipement ait été entièrement assemblé. L'utilisation de l'outil est uniquement permise une fois que tous les accessoires ont été fixés !
- Avant de démarrer assurez-vous que l'outil de coupe n'est pas en contact avec des objets durs tels que des branches, pierres etc. et que le couteau tournera au démarrage.
- En cas de problème avec le moteur, éteignez-le immédiatement.
- Si l'outil de coupe frappe des pierres ou d'autres objets durs, éteignez de suite le moteur et examinez l'outil de coupe.
- Examinez le dispositif de coupe à intervalles réguliers courts pour voir s'il n'a pas subi de dommages (détection de fissures capillaires en utilisant le test de tapping).
- Utilisez uniquement la débroussailleuse thermique lorsque le harnais est fixé et correctement réglé avant l'utilisation de la débroussailleuse thermique. Il est très important de régler le harnais selon votre taille, afin d'éviter toute fatigue supplémentaire pendant l'utilisation. Ne tenez jamais la débroussailleuse d'une seule main durant l'utilisation.
- Durant l'utilisation, tenez toujours la débroussailleuse thermique avec les deux mains. Assurez-vous toujours d'avoir une bonne stabilité.
- Utilisez la débroussailleuse thermique de façon à éviter l'inhalation des gaz d'échappement. Ne faites jamais tourner le moteur dans une pièce confinée (risque d'intoxication à cause des gaz). Le monoxyde de carbone est un gaz inodore.
- Éteignez le moteur lorsque vous faites une pause ou que vous laissez la débroussailleuse thermique sans supervision, et placez-la dans un endroit sûr pour éviter de tout danger aux autres personnes ou dommage à l'outil.
- Ne mettez jamais la débroussailleuse thermique chaude sur de l'herbe sèche ou sur d'autres matériaux combustibles.
- L'outil de coupe doit toujours être équipé de sa protection appropriée. N'utilisez jamais la débroussailleuse sans cette protection !
- Il faut utiliser toutes les installations protectives et les protections fournies avec l'outil durant l'utilisation.
- Ne faites jamais fonctionner le moteur avec un pot d'échappement endommagé.
- Éteignez le moteur durant le transport.
- Pendant son transport sur de longues distances, la machine doit toujours être recouverte de ses protections fournies.
- Lors des transports en voiture, veillez à placer la débroussailleuse thermique dans une position sûre afin d'éviter toute fuite d'essence.
- Quand vous transportez la débroussailleuse thermique, assurez-vous que le réservoir de carburant soit complètement vide.
- Lorsque vous déchargez la débroussailleuse thermique du coffre, ne faites jamais tomber le moteur au sol, car cela risquerait d'endommager le réservoir d'essence.
- A moins d'une urgence, ne laissez jamais tomber ou couler la débroussailleuse thermique sur le sol ce qui pourrait l'endommager gravement.
- Veillez à toujours soulever l'ensemble de l'équipement du sol lorsque vous le déplacez. Il est très dangereux de faire traîner le réservoir d'essence : cela risque de créer des fuites d'essence, voir un incendie.

Faire le plein d'essence

- Éteignez le moteur lors du plein d'essence, éloignez-le des flammes nues et ne fumez pas.
- Évitez tout contact entre la peau et l'essence. N'inhaliez pas les vapeurs de carburant. Portez toujours des gants de protection durant le plein d'essence. Changez et nettoyez les vêtements de protection à intervalles réguliers.
- Veillez à ne pas renverser d'essence ou d'huile, afin d'éviter toute contamination du sol (protection environnementale). Nettoyez la débroussailleuse thermique immédiatement si vous renversez de l'essence.
- Évitez tout contact entre vos vêtements et l'essence. Si vous renversez de l'essence sur vos vêtements, changez-en immédiatement (pour éviter que vos vêtements ne prennent feu).
- Vérifiez le bouchon du réservoir à intervalles réguliers pour vous assurer qu'il est installé en toute sécurité et ne fuit pas.
- Serrez soigneusement le bouchon du réservoir d'essence. Déplacez-vous pour démarrer le moteur (à au moins 3 mètres de l'endroit où vous avez fait le plein).
- Ne faites jamais le plein dans une pièce confinée. Les vapeurs d'essence s'accumulent au niveau du sol (risques d'explosions).
- Transportez et stockez votre essence uniquement dans des conteneurs agréés. Assurez-vous que les enfants ne puissent pas accéder à l'essence.



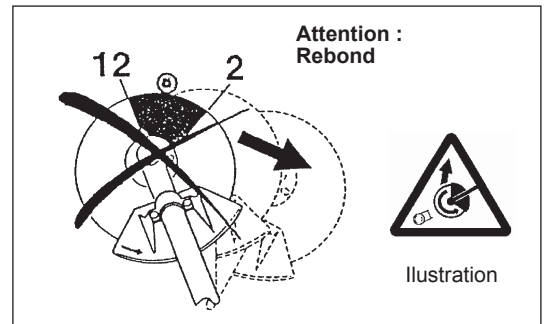
Mode d'emploi

- N'utilisez la débroussailleuse thermique qu'avec une bonne visibilité et un bon éclairage. Pendant l'hiver, soyez attentifs aux zones glissantes ou mouillées, au verglas et à la neige (risques de glissade). Assurez-vous toujours d'avoir une bonne stabilité.
- Ne coupez jamais à une hauteur supérieure aux épaules.
- Ne montez jamais sur une échelle pour utiliser la débroussailleuse thermique.
- Ne grimpez jamais dans les arbres pour utiliser la débroussailleuse thermique.
- Ne travaillez jamais sur des surfaces instables.
- Enlevez le sable, les pierres, les clous etc. trouvés à l'intérieur du périmètre de travail.
Des corps étrangers peuvent endommager l'outil de coupe et causer des chocs en retour dangereux.
- Avant de commencer à couper, l'outil de coupe doit avoir atteint sa vitesse de travail maximale.



Rebond

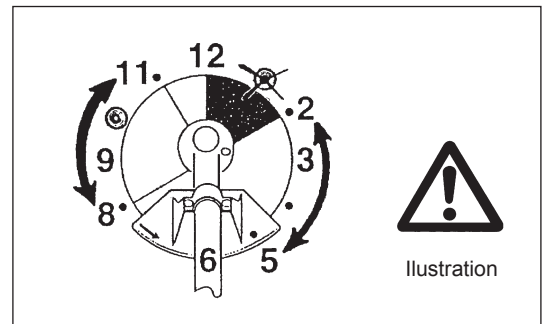
- Quand vous utilisez la débroussailleuse thermique, des chocs en retour incontrôlés peuvent se produire.
- Cela risque particulièrement de se produire lorsque vous tentez de couper avec le segment de la lame compris entre 12h et 2h.
- N'utilisez jamais le segment entre 12h et 2h de la débroussailleuse thermique.
- N'utilisez pas de segment de la débroussailleuse thermique sur des objets solides, comme des buissons ou arbres, dont le diamètre dépasse 3 cm. Sinon, la débroussailleuse thermique risque d'être déviée avec une grande force et de causer des blessures.



Prévention des chocs en retour

Pour éviter les chocs en retour, souvenez-vous ce qui suit :

- L'utilisation du segment de la lame situé entre 12h et 2h présente des dangers, surtout lorsque vous utilisez des outils de coupe en métal.
- Les opérations de coupe avec les segments de la lame compris entre 11h et 12h, ainsi qu'entre 2h et 5h, ne doivent être effectués que par des opérateurs formés et expérimentés, et à leur propre risque.
Pour une coupe avec des chocs en retour très limités, utilisez le segment de la lame compris entre 8h et 11h.

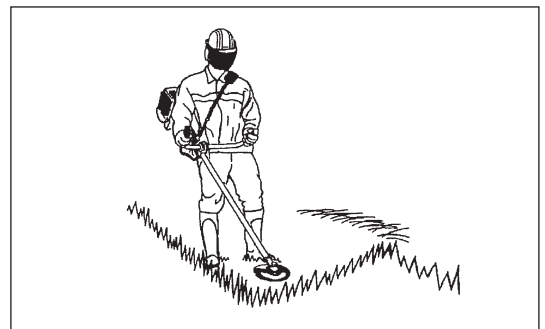


Outils de coupe

Utilisez uniquement l'outil de coupe adapté au travail.

MS-335.4 U avec couteau, tête à fil en nylon

Pour couper des matériels épais tels que de mauvaises herbes, de l'herbe haute, des taillis, des petits arbustes, du sous-bois, du fourré etc. (épaisseur max. diamètre de 2 cm). Le fauchage doit être effectué avec des mouvements de droite à gauche de la débroussailleuse thermique en demi-cercles égaux. (de la même façon que vous utilisez une faux).



Instructions d'entretien

- Avant de commencer à utiliser l'outil, vérifiez son état, et notamment l'outil de coupe, les dispositifs de protection et le harnais. Examinez également avec une attention toute particulière les couteaux, qui doivent être bien aiguisés.
- Il faut mettre sous tension le moteur et enlever le connecteur de bougies lorsque vous remplacez ou aiguisiez les dispositifs de coupe, et aussi quand vous nettoyez le couteau et le dispositif de coupe.

Ne jamais redresser ou souder des dispositifs de coupes endommagés.

- Utilisez la débroussailleuse thermique avec aussi peu de bruit et de contamination que possible. Vérifiez notamment le bon réglage du carburateur.
- Nettoyez la débroussailleuse thermique à des intervalles réguliers et vérifiez que toutes les vis ainsi que les écrous sont bien serrés.
- N'entretenez ni stockez jamais la débroussailleuse thermique à proximité de flammes.
- Rangez toujours la débroussailleuse thermique dans une pièce fermée, avec le réservoir d'essence complètement vide.



Observez les instructions de prévention d'accident pertinentes publiées par les associations commerciales et les compagnies d'assurance. N'effectuez aucune modification sur la débroussailleuse thermique, car ce faisant vous risquez de compromettre votre sécurité.

L'exécution de l'entretien ou de réparations par l'utilisateur est limitée aux activités décrites dans le mode d'emploi. Tout autre travail doit être fait par un agent d'entretien agréé. N'utilisez des pièces de rechange et des accessoires d'origine fournis par DOLMAR.

L'utilisation d'accessoires ou d'outils non approuvés augmente les risques d'accident.

DOLMAR n'acceptera aucune responsabilité pour des accidents ou des dommages causés par l'utilisation de dispositifs de coupe, d'appareils de montage de dispositifs de coupe ou d'accessoires.

Premier secours

En cas d'accident, assurez-vous qu'une malette de premier secours se trouve à proximité des opérations de coupe. Remplacez immédiatement tout article pris dans la malette de premier secours.

Lorsque vous demandez de l'aide, veuillez donner les renseignements suivants :

- Endroit de l'accident
- Que s'est-il passé ?
- Nombre de personnes blessées
- Nature des blessures
- Votre nom



Emballage

La débroussailleuse thermique DOLMAR est livrée dans deux boîtes en carton de protection pour empêcher tout dommage lors du transport. Le carton est une matière brute et peut donc être réutilisé ou recyclé (recyclage de papier).



DECLARATION DE CONFORMITE CE

Modèle ; MS-335.4 U

Nous engageons notre responsabilité en déclarant que ce produit est conforme aux normes suivantes : 2004/108/EC, 2000/14/EC, 98/37/EC jusqu'au 28 décembre 2009 et 2006/42/EC à partir du 29 décembre 2009.

Les principales normes utilisées pour répondre correctement aux exigences de ces normes sont : EN11806 et EN55012.

Puissance sonore mesurée : 109,7 dB (A)

Puissance sonore garantie : 112 dB (A)

Ces niveaux de puissance sonore ont été mesurés conformément à la Directive du Conseil, 2000/14/EC.

Procédure d'évaluation de la conformité : Annexe V.

19. DÉC. 2008

Tamiro Kishima
Directeur général

Rainer Bergfeld
Directeur général

Fabricant responsable :

Makita Corporation

3-11-8, Sumiyoshi-cho, Anjo, Aichi, JAPON

Représentant agréé en Europe :

DOLMAR GmbH

Jenfelder Str. 38, 22045 Hamburg, Germany

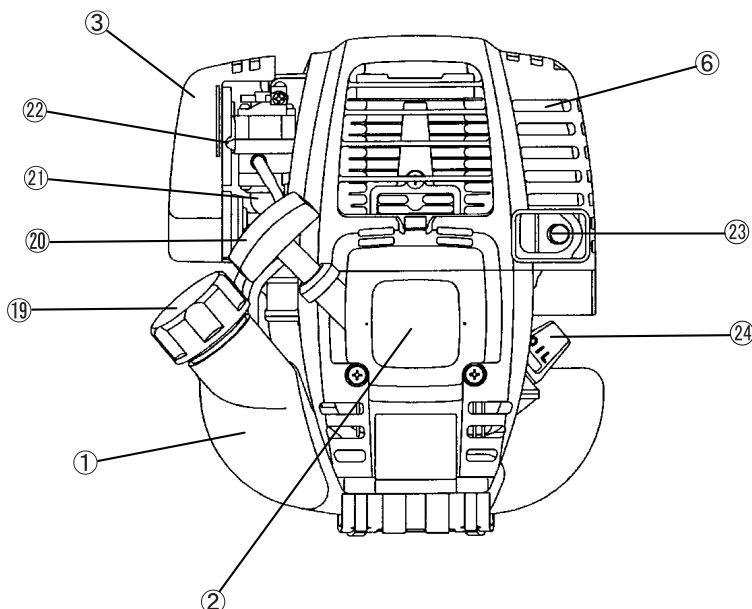
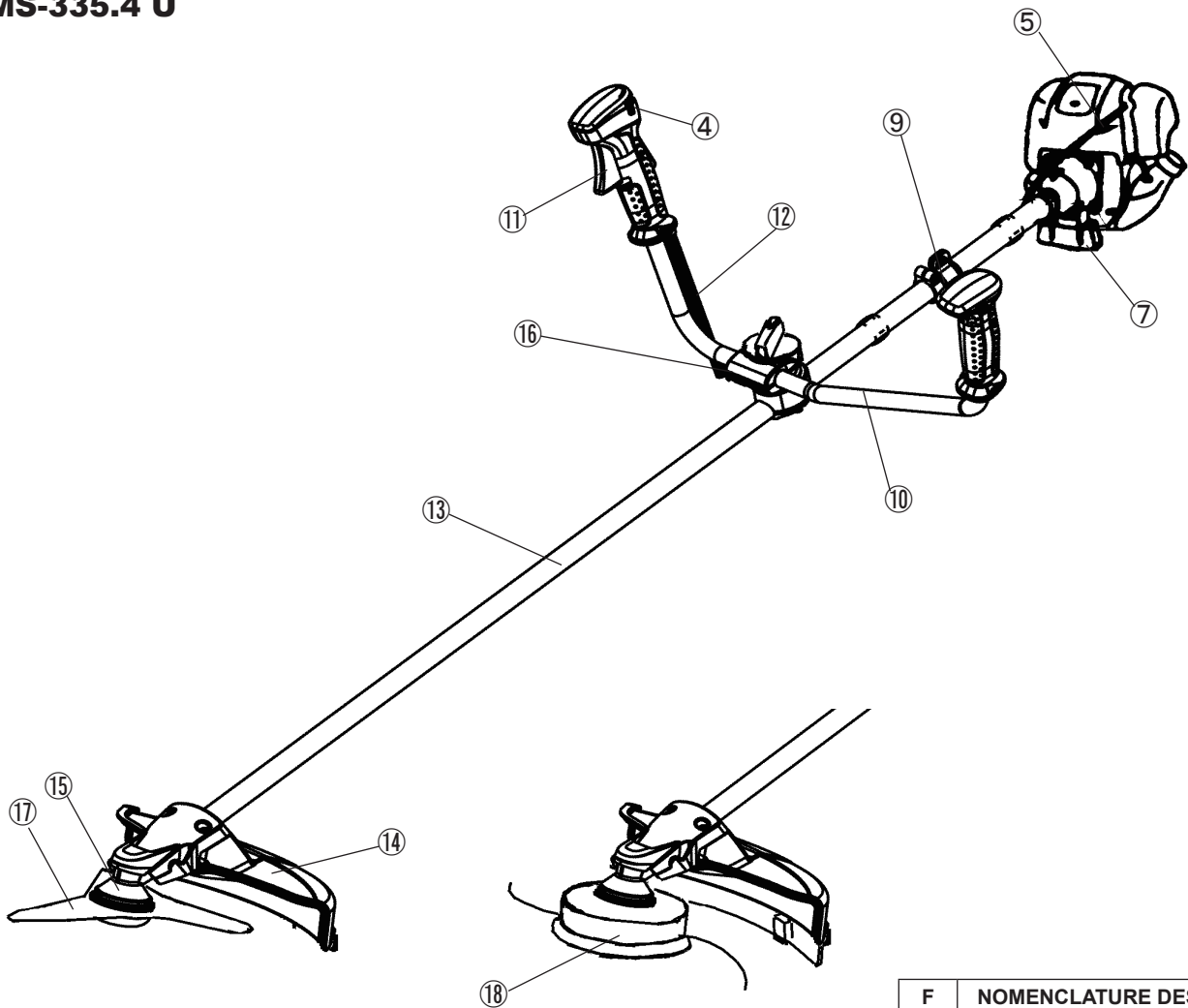
DONNÉES TECHNIQUES DE L'MS-335.4 U

Modèle		MS-335.4 U		
		Poignée de vélo		
Dimensions : longueur x largeur x hauteur (sans la lame de coupe)	mm	1 810 x 620 x 500		
Masse (sans la protection plastique et la lame de coupe)	kg	7,1		
Volume (réservoir d'essence)	L	0,65		
Volume (réservoir d'huile)	L	0,1		
Déplacement du moteur	cm ³	33,5		
Performance du moteur maximum ISO8893	kw	1,07 à 7 000 min ⁻¹		
Fréquence maximale de rotation du moteur	min ⁻¹	6 850		
Vitesse du moteur à la vitesse de la fréquence de rotation max. recommandée	min ⁻¹	10 000		
Consommation d'essence à la performance max. du moteur ISO8893	kg/h	0,458		
Consommation d'essence spécifique à la performance max. du moteur	g/kwh	426		
Vitesse du moteur au ralenti	min ⁻¹	3 000		
Vitesse d'engagement de l'engrenage	min ⁻¹	4 100		
Carburator (Diaphragme - carburator)	type	WALBRO WYL		
Système d'allumage	type	Allumage à semi-conducteur		
Bougie d'allumage	type	NGK CMR4A		
Ecart d'électrode	mm	0,7 - 0,8		
Vibration selon la norme ISO 22867 ¹⁾	Poignée droite (prise arrière)	Au ralenti	m/s ²	1,34
		Accélération ou Pleins gaz	m/s ²	4,39
	Poignée gauche (prise avant)	Au ralenti	m/s ²	1,28
		Accélération ou Pleins gaz	m/s ²	3,26
Moyenne du niveau de pression acoustique selon la norme ISO 22868 ¹⁾	dBA	98,2		
Moyenne du niveau de puissance acoustique selon la norme ISO 22868 ¹⁾	dBA	106,7		
Carburant		Essence automobile		
Huile du moteur		Huile SAE 10W-30 de classe API, Classe SF ou supérieure (moteur 4 temps pour automobile)		
Outils de coupe (diamètre couteau)	mm	305 (avec trois lames)		
Rapport de vitesse		13/19		

1) Les données prennent également en compte le ralenti et l'accélération ou des modes de fonctionnement d'accélération des gaz très ouverts.

NOMENCLATURE DES PIÈCES

MS-335.4 U



F	NOMENCLATURE DES PIÈCES
1	Réservoir de carburant
2	Démarrreur à rappel
3	Filtre à air
4	Interrupteur E-S (marche/arrêt)
5	Bougie d'allumage
6	Pot d'échappement
7	Carter d'embrayage
9	Crochet de suspension
10	Poignée
11	Levier d'accélération
12	Câble de contrôle
13	Arbre
14	Protecteur
15	Boîte d'engrenage/Boîte de la tête
16	Support de poignée
17	Couteau
18	Tête à fil en nylon
19	Bouchon de réservoir de carburant
20	Bouton de démarrage
21	Pompe d'amorçage
22	Levier de l'étrangleur
23	Tuyau d'échappement
24	Jauge d'huile

MONTAGE DE LA POIGNÉE

ATTENTION : Avant de faire un travail quelconque sur la débroussailleuse thermique, il faut toujours arrêter le moteur et débrancher le connecteur des bougies.

Portez toujours des gants de protection !

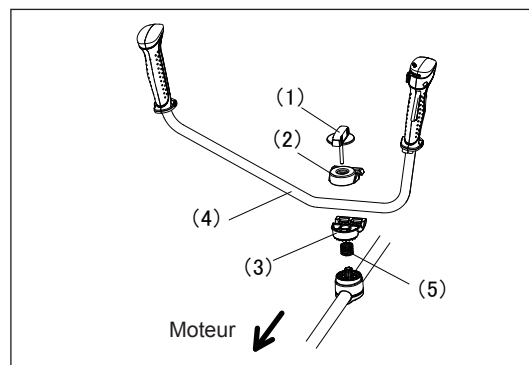
ATTENTION : Démarrez la débroussailleuse thermique après l'avoir entièrement montée.



Pour les modèles d'outils avec poignées de vélo

- Dévissez le bouton (1).
- Placez la poignée (4) entre le boulon de serrage (2) et le support de poignée (3).
- Réglez la poignée (4) à un angle permettant une position de travail confortable, puis serrez fermement le bouton à la main (1).

ATTENTION : N'oubliez d'insérer le ressort (5).



MONTAGE DU DISPOSITIF DE PROTECTION

Pour répondre aux instructions de sécurité applicables, seules les combinaisons d'outil/protections indiquées dans le tableau doivent être utilisées.



Utilisez toujours des couteaux ou têtes à fil de nylon d'origine DOLMAR.

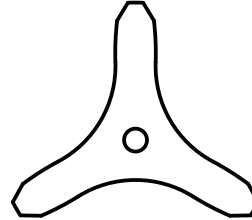
- Le couteau doit être bien aiguisé, et sans fissures ou cassures. Si le couteau heurte une pierre durant l'utilisation, arrêtez le moteur et vérifiez le couteau immédiatement.
- Aiguiser ou remplacez le couteau toutes les trois heures de fonctionnement.
- Si la tête à fil de nylon heurte une pierre durant l'utilisation, arrêtez le moteur et vérifiez la tête à fil de nylon immédiatement.

ATTENTION : Il faut toujours installer les dispositifs de protection appropriés pour votre propre sécurité et afin de vous conformer aux règlements relatifs aux préventions des accidents.

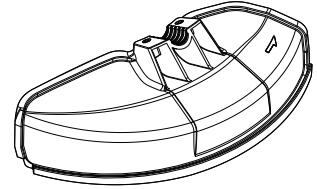
Il est interdit d'utiliser l'outil quand la protection n'est pas en place.

Le diamètre extérieur du couteau doit être de 255 mm (10"). Seuls les couteaux à trois lames peuvent être utilisés s'ils ont un diamètre extérieur de 305 mm (12").

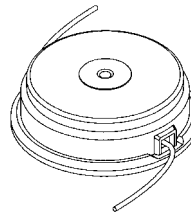
Lame métallique



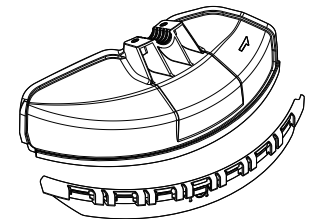
Dispositif de protection pour les lames métalliques



Tête à fils de nylon



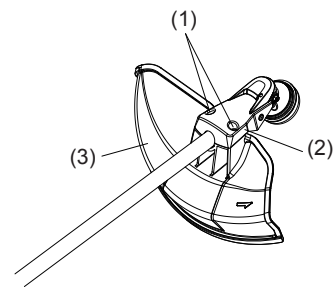
Protection pour tête à fils de nylon



- Pour utiliser la lame métallique, fixez la protection (3) à la rondelle de serrage (2) avec deux boulons M6 x 30 (1).

REMARQUE : Serrez les boulons de gauche et de droite de manière égale, afin que l'espace entre la rondelle (2) et la protection (3) soit constante.

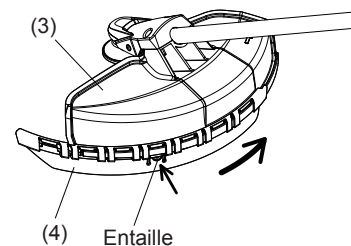
Dans le cas contraire, le dispositif de protection risque parfois de ne pas fonctionner comme indiqué.



- Pour l'utilisation du fil de nylon, veillez à fixer la protection de fil de nylon (4) dans le dispositif de protection de lame métallique (3).
- Fixez le dispositif de protection du fil de nylon (4) en maintenant son entaille enfoncée tout en l'introduisant dans le dispositif de protection de lame métallique (3) en le faisant glisser par le côté.
- Retirez l'adhésif collé à la lame, qui coupe le fil de nylon ou le dispositif de protection du fil de nylon (4).

ATTENTION : Veillez à ce que le dispositif de protection du fil de nylon (4) soit entièrement inséré.

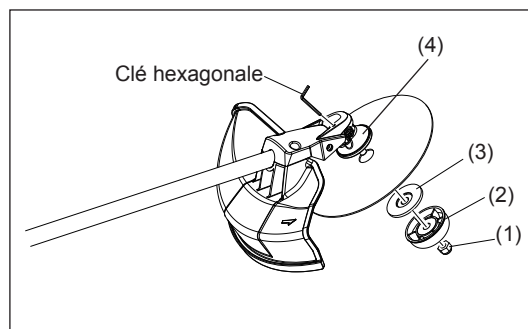
Veillez à ne pas vous blesser sur le couteau en coupant le fil de nylon.



MONTAGE DU COUTEAU OU DE LA TÊTE À FIL EN NYLON

Tournez la machine la tête en bas pour pouvoir remplacer le couteau ou la tête à fil de nylon facilement.

- Insérez la clé hexagonale à travers le trou dans la boîte d'engrenage et tournez la rondelle de réception (4) jusqu'à ce qu'elle soit verrouillée avec la clé hexagonale.
- Desserrez l'écrou (1) (filetage gauche) avec la clé à douille, et enlevez l'écrou (1), la bague (2) et la rondelle de serrage (3).



Montage du couteau

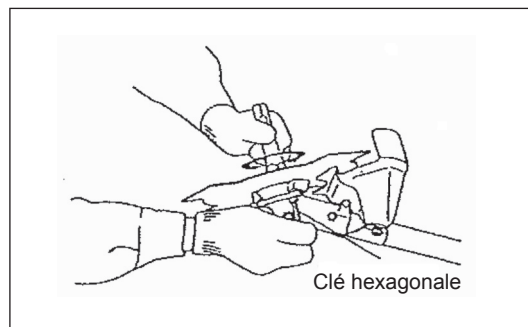
Avec la clé hexagonale encore en position.

- Montez le couteau sur l'arbre de sorte que le guide de la rondelle de réception (4) s'ajuste dans l'orifice de l'arbre dans le couteau. Installez la rondelle de serrage (3) et la bague (2), puis fixez le couteau avec l'écrou (1). [Couple de serrage : 13 - 23 N-m]

REMARQUE : Portez toujours des gants quand vous maniez le couteau.

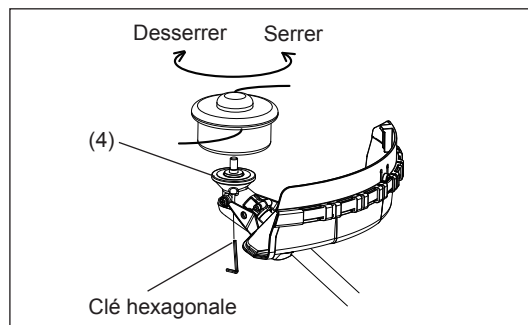
REMARQUE : L'écrou de fixation du couteau (avec la rondelle à ressort) est une pièce à changer périodiquement.

S'il apparaît de l'usure ou des déformations sur la rondelle élastique (à ressort), remplacez l'écrou.

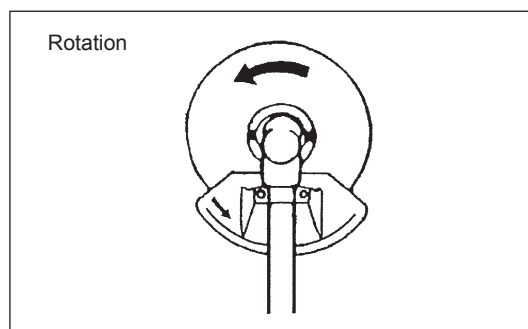


Montage de la tête à fil de nylon

- La rondelle de serrage(3), la bague (2) et l'écrou (1) ne sont pas nécessaires pour le montage de la tête à fil en nylon. La tête à fil en nylon devrait aller sur le haut de la rondelle de réception (4).
- Insérez la clé hexagonale à travers le trou dans la boîte d'engrenage et tournez la rondelle de réception (4) jusqu'à ce qu'elle soit verrouillée avec la clé hexagonale.
- Vissez ensuite la tête à fil de nylon dans le cadre en le tournant dans le sens inverse des aiguilles d'une montre.
- Retirez la clé hexagonale.



- Assurez-vous que le côté gauche de la tête soit en haut.



AVANT DE COMMENCER

Inspection et remplissage de l'huile du moteur

- Suivez la procédure suivante, lorsque le moteur est froid.
- En conservant le moteur à plat, retirez la jauge d'huile, puis confirmez que le niveau d'huile se situe entre les limites haute et basse. Lorsqu'il manque de l'huile et que seule la pointe de la jauge d'huile touche l'huile, notamment quand la jauge serte insérée dans le carter du moteur sans se visser (Illustration 1), versez de l'huile dans l'orifice du réservoir (Illustration 2).
- À titre d'information, il convient de remplir le réservoir d'huile toute les 15 heures d'utilisation environ (fréquence de remplissage : 15 fois). Si l'huile change de couleur ou contient de la poussière ou saleté, remplacez-la. (Pour la fréquence et la méthode de vidange, référez-vous aux pages 42 - 43)

Huile recommandée : Huile SAE 10W-30 de classe API Classification, Classe SF ou supérieure (moteur 4 temps pour automobile)

Volume d'huile : Environ 0,1 L

Remarque : Si le moteur n'est pas à plat, de l'huile pourrait se verser autour du moteur, ou le remplissage pourrait être excessif. Si le niveau d'huile est rempli au-delà de la limite, l'huile pourrait être contaminée ou risquerait de s'enflammer en provoquant de la fumée blanche.

Point n°1 du remplacement de l'huile : « Jauge d'huile »

- Retirez la poussière ou les saletés entourant l'orifice du réservoir d'huile, puis otez la jauge d'huile.
- Veillez à ce que la jauge d'huile n'entre pas en contact avec du sable ou de la poussière. Dans le cas contraire, les impuretés adhérant à la jauge d'huile pourrait empêcher la bonne circulation de l'huile ou abimer des pièces du moteur, ce qui provoquerait des problèmes.
- Pour assurer la propreté de la jauge d'huile, nous vous recommandons de l'insérer du côté poignée dans le capot du moteur, comme indiqué dans l'illustration 3.

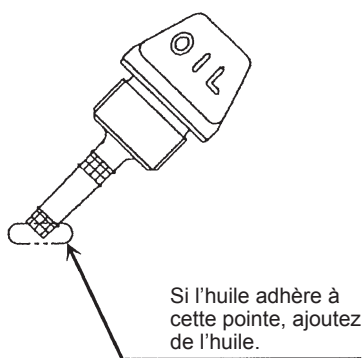


Illustration 1

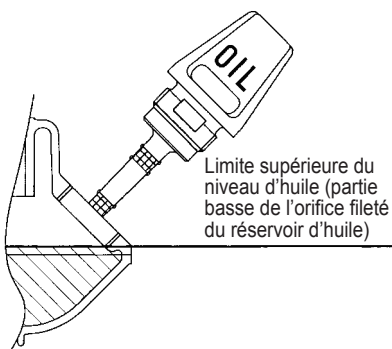


Illustration 2

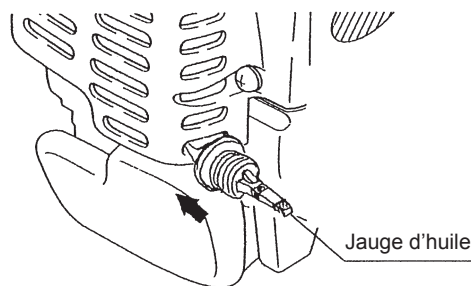
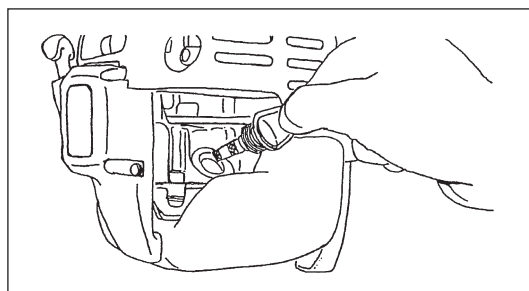
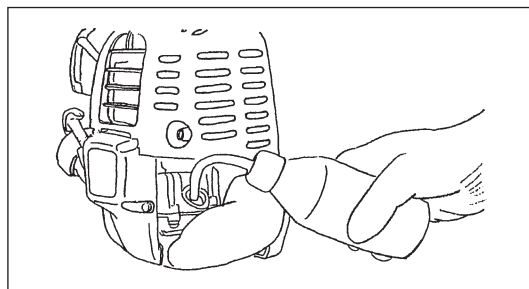


Illustration 3

(1) Gardez le moteur à plat et enlevez la jauge d'huile.



(2) Remplissez le réservoir d'huile jusqu'au bord de son orifice. (Voir l'illustration 2). Ajoutez de l'huile avec la bouteille de remplissage de lubrifiant.



(3) Vissez fermement la jauge d'huile. Un vissage insuffisant pourrait provoquer une fuite d'huile.

Point n°2 du remplacement de l'huile : « En cas de débordement d'huile »

- Si de l'huile se répand entre le réservoir d'essence et le bloc principal du moteur, elle pourrait être aspirée par l'orifice de refroidissement par air, ce qui contaminerait le moteur. Veillez à nettoyer l'huile qui a débordé avant toute utilisation.

FAIRE LE PLEIN D'ESSENCE

Maniement de l'essence

Veillez à manipuler l'essence avec la plus grande attention. Elle peut contenir des substances similaires à des solvants. Pour faire le plein, placez-vous dans une pièce suffisamment ventilée ou à l'extérieur. N'inhalez jamais les vapeurs d'essence, et restez à distance du carburant. En cas de contact répété ou prolongé de votre peau avec de l'essence, elle peut se dessécher, ce qui pourrait causer des maladies de peau ou des allergies. En cas de contact d'essence avec un œil, rincez-le à l'eau claire. Si votre œil reste irrité, consultez votre médecin.

Durée de stockage de l'essence

L'essence doit être utilisée dans les 4 semaines, même si elle est conservée dans un bidon spécial dans un endroit ombragé et bien ventilé. Si vous n'utilisez pas de bidon spécial ou qu'il n'est pas fermé, l'essence peut se détériorer en une journée.

STOCKAGE DE LA MACHINE ET REMPLISSAGE DU RÉSERVOIR

- Conservez la machine et le réservoir dans un endroit frais et abrité de la lumière directe du soleil.
- Ne conservez jamais l'essence dans un bungalow ou un coffre.

Carburant

Le moteur est un moteur à quatre temps. Assurez-vous d'utiliser de l'essence pour automobile (super ou premium).

Avertissements concernant l'essence

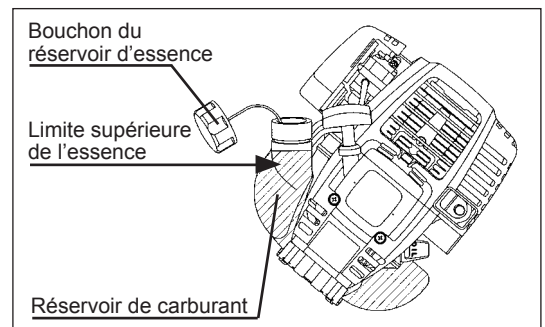
- N'utilisez jamais de mélange d'essence contenant de l'huile de moteur. Cela pourrait créer une accumulation excessive de carbone ou des pannes mécaniques.
- L'utilisation d'huile détériorée peut provoquer des démarrages de moteur irréguliers.

Faire le plein

ATTENTION : FLAMMES STRICTEMENT INTERDITES

Essence utilisée : Essence pour automobile (super sans plomb)

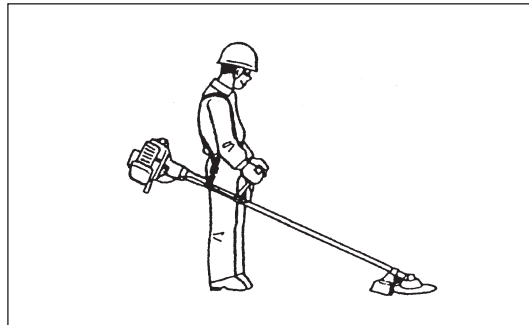
- Devissez le bouchon du réservoir afin qu'il n'y ait pas de différence de pression.
 - Otez le bouchon et remplissez le réservoir d'essence en l'inclinant de manière à en chasser l'air, l'orifice dirigé vers le haut. (Ne remplissez jamais le réservoir d'essence jusqu'à ce qu'il déborde sur l'orifice de remplissage d'huile.)
 - Essuyez bien le tour du bouchon d'essence pour éviter l'introduction de tout corps étranger dans le réservoir d'essence.
 - Après avoir fait le plein, serrez soigneusement le bouchon du réservoir d'essence.
- En cas de défaut ou de dommages au bouchon d'essence, remplacez-le.
 - Le bouchon du réservoir d'essence est une pièce d'usure : il convient donc de la remplacer tous les deux à trois ans.



MANIEMENT CORRECT DE LA MACHINE

Attachement du harnais

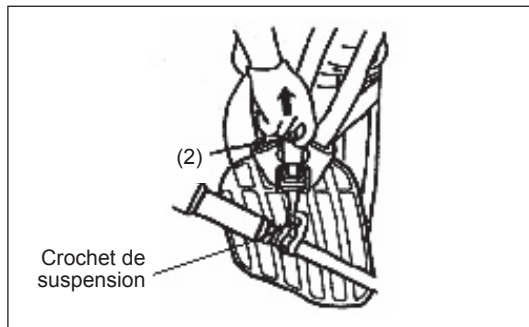
- Réglez la longueur de sangle de sorte que le couteau soit gardé parallèle au sol.



Détachement

- En cas d'urgence, retirez le levier de détachement d'urgence (2) en le tirant fortement d'un doigt. L'appui de la machine se détache du corps. Faites très attention de conserver le contrôle de la machine à ce moment-là. Ne laissez pas la machine être déviée vers vous ou vers quelqu'un qui se trouve à proximité du lieu de travail.

ATTENTION : En perdant le contrôle de la machine, vous risquez de provoquer des blessures corporelles graves ou la MORT



AVERTISSEMENT DE FONCTIONNEMENT ET COMMENT L'ARRÊTER

Appliquez les législations de préventions d'accidents !

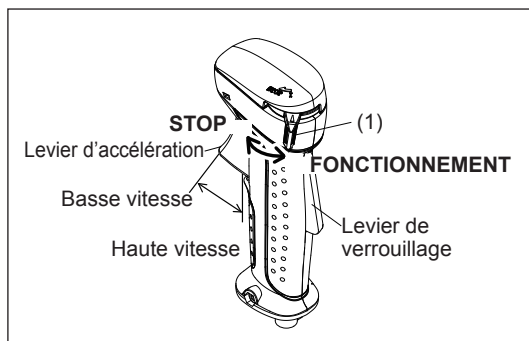


DÉMARRAGE

Déplacez-vous d'au moins 3 mètres de l'endroit du remplissage ou du plein. Déposez la débroussailleuse thermique sur un endroit propre, en veillant à ce que l'outil de coupe ne soit pas en contact du sol ou de tout autre objet.

A : Démarrage à froid

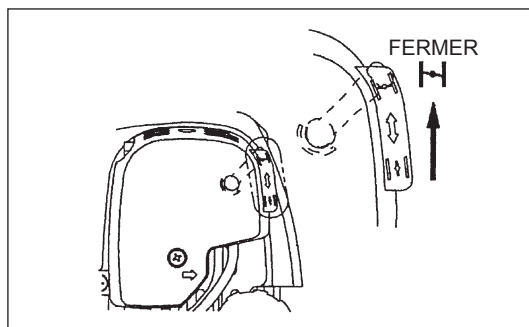
- 1) Déposez la machine sur un endroit plat.



- 2) Réglez l'interrupteur I-O (1) sur OPERATION (FONCTIONNEMENT).

- 3) Levier de l'étrangleur
Fermez le levier de l'étrangleur.
Ouverture de l'étrangleur :

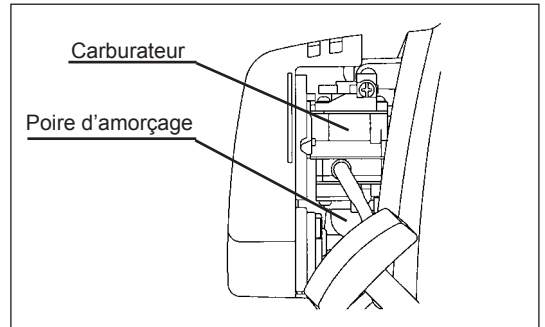
- Complètement fermé quand les températures sont froides ou quand le moteur est froid.
- Ouvert entièrement ou à moitié lors d'un redémarrage après l'arrêt de fonctionnement.



4) Poire d'amorçage

Continuez à pousser la poire d'amorçage jusqu'à ce que le carburant pénètre dans la poire d'amorçage. (En général, le carburant pénètre dans la poire d'amorçage après 7 à 10 pressions.)

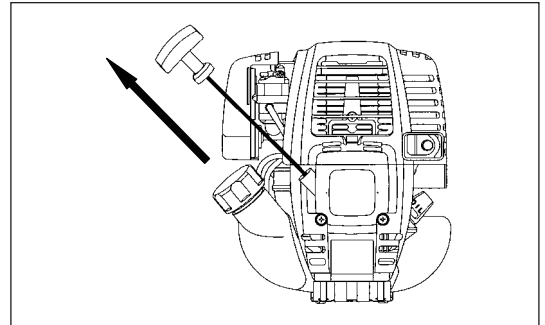
Si vous poussez trop la poire d'amorçage, un surplus de carburant retourne au réservoir d'essence.



5) Démarreur

Tirez doucement le bouton du démarreur, jusqu'à ce qu'il résiste (point de compression). Ensuite, repoussez le bouton du démarreur, puis tirez-le fortement.

Ne tirez jamais la corde de toute son extrémité. Une fois le bouton du démarreur tiré, n'enlevez jamais votre main immédiatement. Tenez-le jusqu'à ce qu'il retourne à sa position initiale.



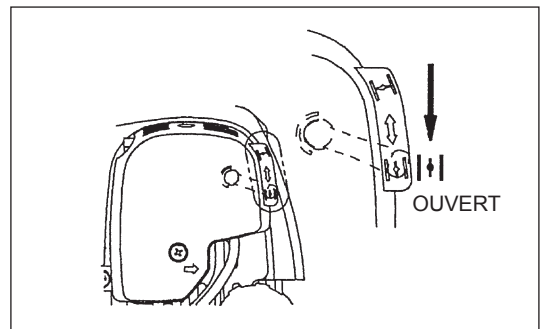
6) Levier de l'étrangleur

Lorsque le moteur démarre, ouvrez le levier d'étrangleur.

- Ouvrez le levier d'étrangleur progressivement, tout en vérifiant le fonctionnement du moteur. Assurez-vous de finir par l'ouvrir à fond.
- Quand les températures sont froides ou quand le moteur est froid, n'ouvrez jamais le levier d'étranglement de manière soudaine. Sinon le moteur risque de caler.

7) Opération de chauffage

Continuez à faire chauffer le moteur pendant 2 à 3 minutes.



Remarque : – Si vous tirez plusieurs fois sur la poignée de démarrage lorsque le levier de l'étrangleur est en position « FERMER », le moteur ne démarrera pas facilement car il sera noyé.

– Si une entrée de carburant excessive se produit, enlevez la bougie et tirez la poignée de démarrage lentement pour enlever l'excès de carburant. Aussi, séchez la partie de l'électrode de la bougie.

Attention durant le fonctionnement :

Si le levier de l'étrangleur est complètement ouvert durant un fonctionnement à vide, la rotation du moteur augmente à plus de 10 000 min⁻¹. Ne jamais faire tourner le moteur à une vitesse plus élevée que nécessaire, ou à une vitesse d'environ de 6 000 à 8 500 min⁻¹.

B : Démarrage après avoir fait chauffer le moteur

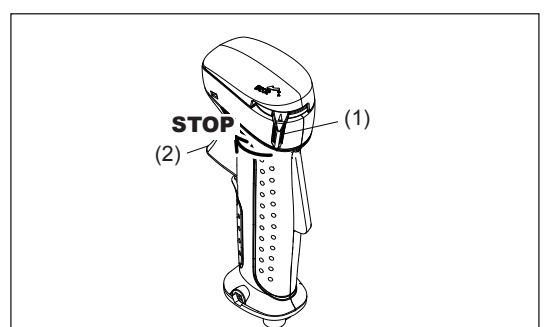
- 1) Appuyez plusieurs fois sur la poire d'amorçage.
- 2) Laissez le levier d'étrangleur en position du ralenti.
- 3) Tirez avec force sur le démarreur.
- 4) Si le moteur est difficile à démarrer, ouvrez les gaz à environ 1/3. Faites attention au couteau, qui pourrait tourner.

Attention pendant le fonctionnement

Lorsque le moteur fonctionne la tête en bas, de la fumée blanche peut sortir du pot d'échappement.

ARRÊT

- 1) Relâchez entièrement le levier d'étrangleur (2), et lorsque la vitesse de rotation du moteur a diminué, poussez l'interrupteur I-O sur la position STOP, et le moteur s'arrêtera.
- 2) Attention, il est possible que le couteau ne s'arrête pas immédiatement, laissez-le ralentir jusqu'à l'arrêt.



Maniement du levier d'étranglement

En tenant à la main le bloc principal du levier d'étranglement (avec le levier de verrouillage enfoncé), levez le levier d'étranglement pour augmenter la vitesse de rotation du moteur. Relâchez-le pour que le moteur repasse au ralenti.

Relâchez la main du bloc principal du levier d'étranglement : le levier de verrouillage retournera automatiquement à sa position initiale afin que le levier d'étranglement ne puisse pas à être activé par erreur.

Réglage de la ROTATION du moteur

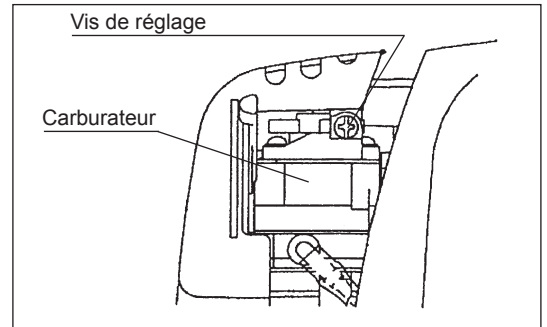
Lors du réglage de la rotation du moteur avec le levier d'étranglement entièrement ouvert, tournez le bouton de contrôle du levier. Tournez le bouton dans le sens des aiguilles d'une montre pour diminuer la rotation du moteur. Tournez-le dans le sens inverse des aiguilles d'une montre pour l'augmenter.

RÉGLAGE DE LA ROTATION A BAS RÉGIME (RALENTI)

Lorsque cela est nécessaire, réglez le ralenti en utilisant la vis de réglage du carburateur.

VÉRIFICATION DE LA ROTATION A BAS RÉGIME (RALENTI)

- Réglez le ralenti sur 3 000 min⁻¹.
S'il est nécessaire de changer la vitesse de rotation, utilisez la vis de réglage (illustrée à gauche) avec un tournevis Phillips.
- Pour augmenter la vitesse de rotation du moteur, tournez la vis vers la droite. Pour la diminuer, tournez la vis vers la gauche.
- Le carburateur est généralement réglé juste avant l'expédition. S'il est nécessaire d'effectuer un nouveau réglage, veuillez contacter un agent d'entretien agréé.



RÉAFFÛTAGE DU COUTEAU



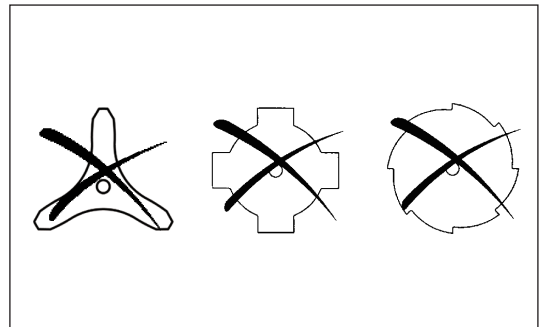
ATTENTION :

Les dispositifs de coupe mentionnés ci-dessous doivent être réaffûtés par une installation agréée. Un réaffûtage manuel entraînera des déséquilibres du couteau, qui causeront des vibrations et des dommages à l'équipement.

- couteau
Un réaffûtage professionnel et un service d'équilibrage est fourni par les agents de réparation agréés.

REMARQUE :

Pour augmenter la durée de vie du couteau, vous pouvez le retourner une fois, jusqu'à ce que les deux bords de coupe soient émoussés.



TÊTE A FIL EN NYLON

La tête à fil en nylon est une tête double de débroussailluse thermique capable de mécanismes d'alimentation à la fois automatique et manuel.

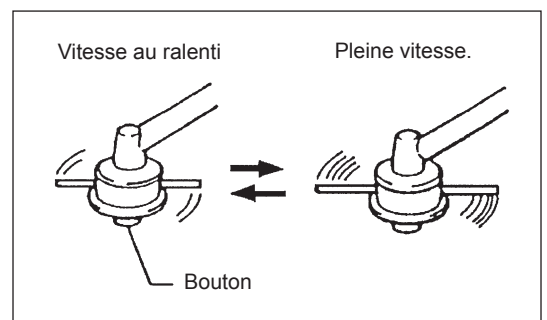
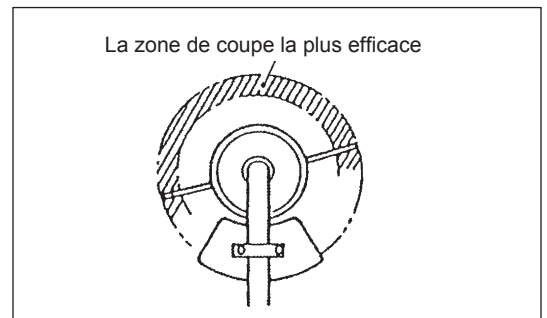
La tête à fil en nylon alimentera en sortie automatiquement la longueur correcte de fils en nylon lors des changements dans la force centrifuge causés par le nombre de tours du moteur soit en augmentation ou en diminution. Toutefois pour couper de l'herbe douce plus efficacement, appuyez la tête à fil en nylon contre le sol pour en faire sortir du fil supplémentaire comme illustré à la section de l'utilisation.

Utilisation

- Augmentez la vitesse de la tête à fil en nylon environ à 6 000 min⁻¹. Une vitesse faible (inférieure à 4 800 min⁻¹) n'est pas adaptée, car le fil en nylon ne fonctionne pas correctement à faible vitesse.
- La zone de coupe la plus efficace est indiquée par des hachures.

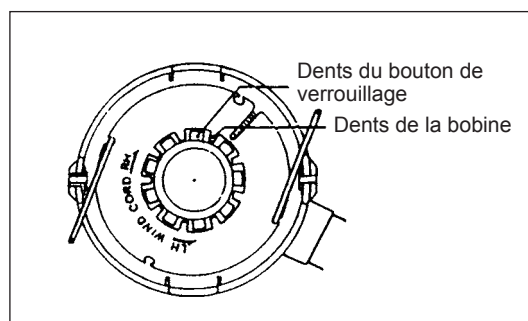
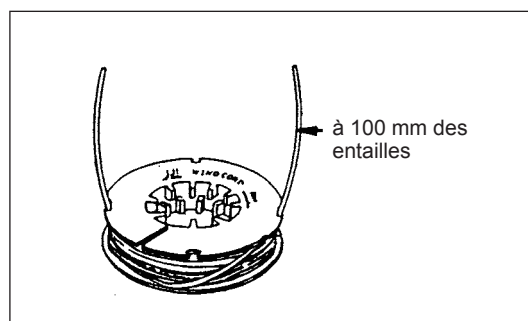
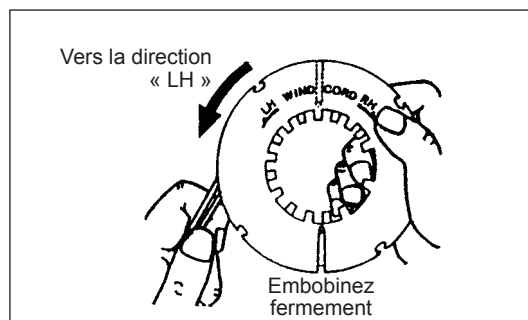
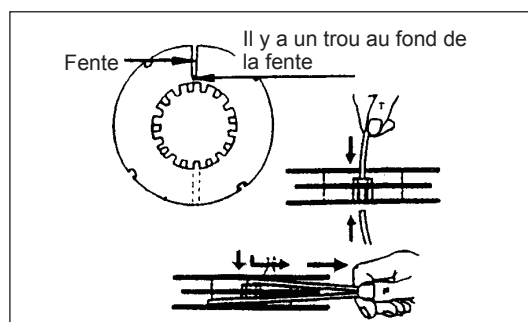
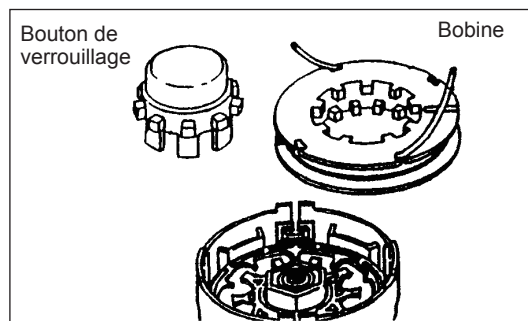
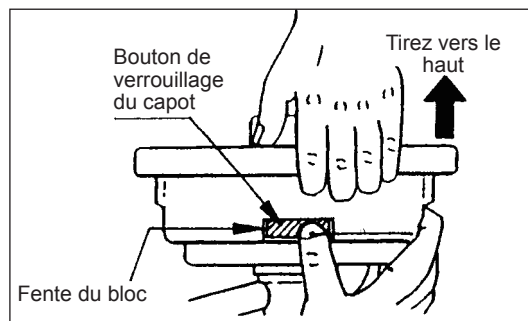
Si le fil en nylon ne s'alimente pas correctement suivez les instructions ci-dessous :

1. Relâchez le levier d'accélération de sorte que le moteur soit au ralenti, et ensuite serrez complètement le levier d'accélération. Répétez cette procédure jusqu'à ce que le fil en nylon s'alimente jusqu'à la bonne longueur.
2. Si le fil en nylon est trop court pour s'alimenter automatiquement en utilisant la procédure ci-dessus, appuyez le bouton de la tête à fil en nylon contre le sol pour alimenter en sortie le fil en nylon.
3. Si le fil en nylon ne s'alimente pas en utilisant la procédure 2, rembobinez/ remplacez le fil en nylon en suivant les procédures décrites dans la section « Remplacement du fil en nylon ».

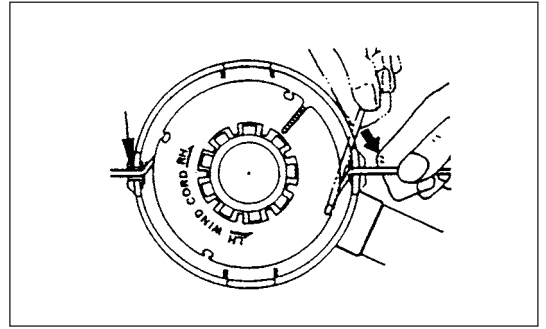


Remplacement du fil en nylon

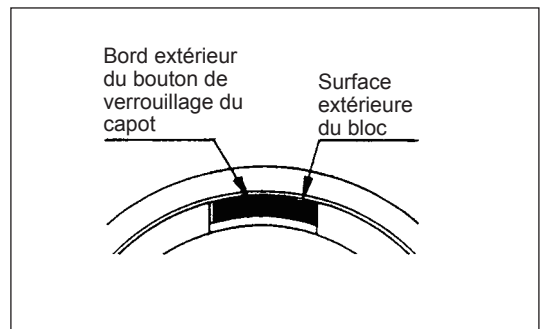
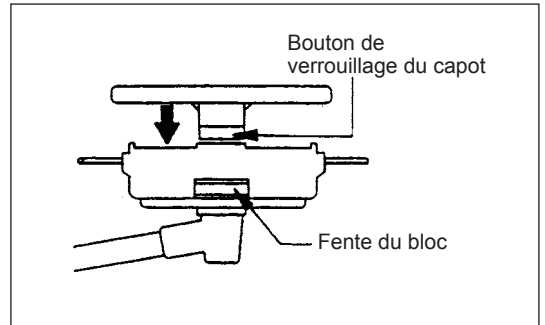
1. Enlevez le capot de son logement en appuyant sur les deux boutons de verrouillage du capot situés de part et d'autre du bloc.
2. Otez le bouton à engrenages et la bobine du bloc.
3. Placez chacune des deux extrémités du fil de coupe dans un trou situé au fond de la fente sur l'un des rebords extérieurs de la bobine. Placez les fils dans les gouttières de la bobine à travers chaque fente des rebords.
4. Tournez fermement les fils dans le sens indiqué par la flèche LH (gaucher) sur le rebord. Ne croisez pas les fils.
5. Embobinez tout sauf environ 100 mm (3-15/16") de fil, en laissant les extrémités temporairement accrochées à travers l'entaille sur le côté de la bobine.
6. Placez le bouton à engrenages dans le compartiment du bloc, et positionnez-le pour qu'il puisse monter et descendre sous la pression du ressort. Remplacez la bobine dans le bloc en alignant les dents de la bobine et du bouton d'engrenages afin qu'ils s'emboîtent.



7. Faites passer les fils de coupe à travers la fente des œillets.



8. Placez le capot dans le bloc en alignant les boutons de verrouillage du capot sur les fentes du bloc. Assurez-vous que le capot est solidement en place dans le bloc. Le bord extérieur du bouton de verrouillage du capot et la surface du bloc doivent former un alignement.



INSTRUCTIONS D'ENTRETIEN

ATTENTION : Avant tout travail sur la débroussailleuse thermique, il faut toujours arrêter le moteur et débrancher le connecteur des bougies (voir « Vérification de la bougie »).
Portez toujours des gants de protection !

Afin d'assurer une longue durée de vie et d'éviter un dommage quelconque à l'équipement, effectuez régulièrement les opérations de maintenance suivantes.

Vérification et entretien journaliers

- Avant l'utilisation, vérifiez s'il ne manque pas de pièces ou que des vis sont desserrées. Faites tout particulièrement attention au serrage du couteau ou de la tête à fil en nylon.
- Avant l'utilisation, vérifiez que les fentes de refroidissement à air et des cylindres ne sont pas bouchées. Nettoyez-les si nécessaire.
- Effectuez les opérations de maintenance suivantes après l'utilisation :
 - Nettoyez l'extérieur de la débroussailleuse thermique et vérifiez l'absence de dommages.
 - Nettoyez le filtre à air. Nettoyez le filtre à air plusieurs fois par jour quand vous travaillez dans des conditions très poussiéreuses.
 - Vérifiez si le couteau ou la tête à fil en nylon ont été endommagés et assurez-vous qu'ils sont bien montés.
 - Vérifiez s'il y a une différence suffisante entre les vitesses de fonctionnement et du ralenti pour s'assurer que le couteau est au repos quand le moteur est au ralenti (si nécessaire, réduisez la vitesse du ralenti).
Si l'outil continue à fonctionner lorsque la machine est au ralenti, consultez l'agent d'entretien agréé le plus proche.
- Vérifiez que l'interrupteur I-O, le levier de verrouillage, le levier de manœuvre, et le bouton de verrouillage fonctionnent tous correctement.

REMPACEMENT DE L'HUILE DE MOTEUR

Une huile de moteur détériorée réduit grandement la durée de vie des pièces mobiles. Veillez à vérifier la fréquence et la quantité des remplacements.



ATTENTION : En général, le bloc principal du moteur et l'huile de moteur restent brûlants juste après l'arrêt du moteur. Pour la vidange de l'huile, vérifiez que le bloc principal du moteur et l'huile de moteur aient suffisamment refroidis. Sinon, vous risquez de vous brûler.

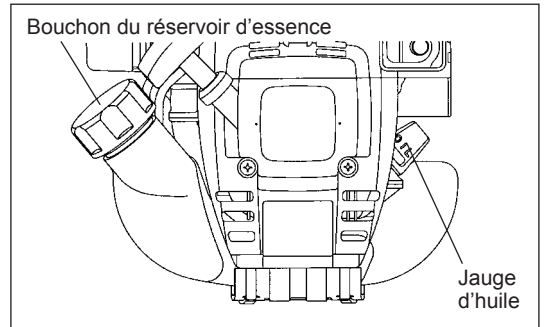
Remarque : Si le niveau d'huile est rempli au-delà de la limite, l'huile pourrait être contaminée ou risquerait de s'enflammer en provoquant de la fumée blanche.

Fréquence de vidange : Initialement, toutes les 20 heures d'utilisation, puis toutes les 50 heures de fonctionnement

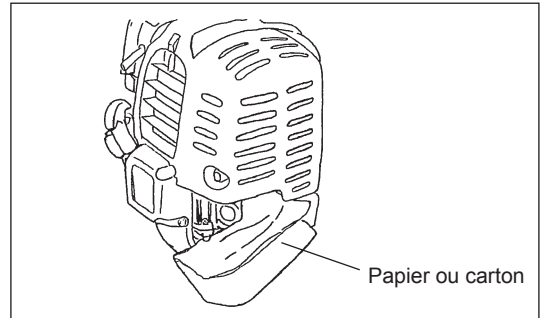
Huile recommandée : Huile SAE 10W-30 de classe API Classification, Classe SF ou supérieure (moteur 4 temps pour automobile)

Alternativement, suivez la procédure suivante.

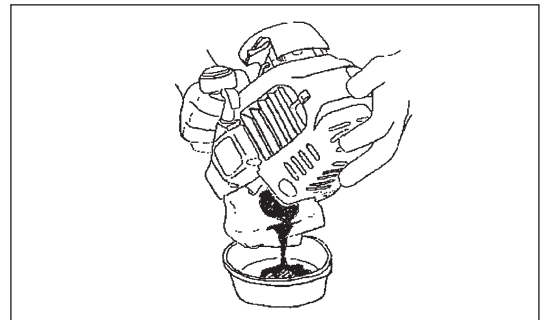
- 1) Assurez-vous que le bouchon du réservoir est bien serré.
- 2) Enlevez la jauge d'huile.
Conservez la jauge d'huile à l'abri de la poussière et des saletés.



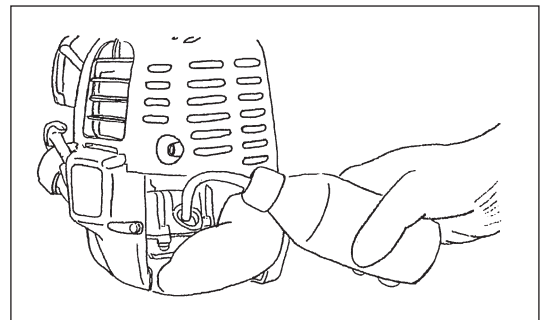
- 3) Placez du papier ou un carton à côté de l'orifice de remplissage d'huile.



- 4) Enlevez la jauge d'huile et le filtre à huile en inclinant le bloc principal dans la direction de l'orifice de remplissage d'huile.
Placez le filtre à huile dans un emballage pour vous en débarrasser correctement.



- 5) Gardez le moteur à plat et remplissez le réservoir d'huile jusqu'au bord de son orifice.
Pour le remplissage, utilisez une bouteille de remplissage de lubrifiant.
- 6) Après le remplissage, vissez fermement la jauge d'huile. Un vissage insuffisant de la jauge d'huile pourrait provoquer une fuite d'huile.



AVERTISSEMENT CONCERNANT L'HUILE

- Ne jetez jamais de l'huile de moteur à la poubelle, sur la terre ou dans les égouts. Débarrassez-vous de l'huile en suivant la législation. Respectez toujours la loi en vigueur. Pour tout éclaircissement, contactez un agent d'entretien agréé.
- L'huile se détériore même lorsqu'elle n'est pas utilisée. Effectuez une inspection et des remplacements à intervalles réguliers (vidangez l'huile tous les 6 mois).

NETTOYAGE DU FILTRE À AIR



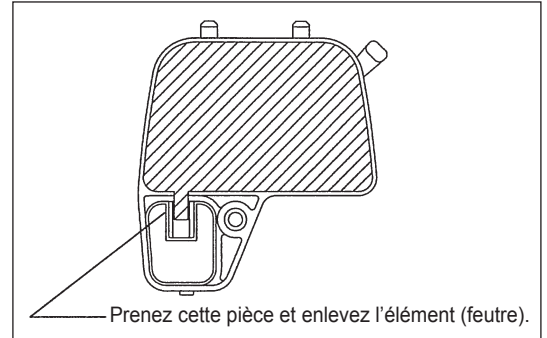
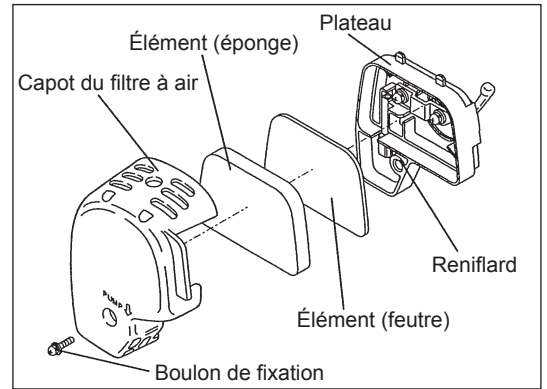
DANGER : FLAMMES STRICTEMENT INTERDITES

Intervalle de nettoyage et d'inspection : tous les jours (toutes les 10 heures d'utilisation)

- Tournez le levier d'étrangleur vers le côté complètement fermé et gardez le carburateur éloigné de toute poussière ou saleté.
- Retirez les boulons de fixation du couvercle du filtre à air.
- Tirez la partie inférieure du couvercle et enlevez le capot du filtre à air.
- Si de l'huile adhère à l'élément (éponge), serrez-le fermement.
- En cas de contamination importante :
 - 1) Retirez l'élément (éponge), plongez-le dans de l'eau chaude ou dans un détergeant neutre dilué à l'eau, et faites-le entièrement sécher.
 - 2) Nettoyez l'élément (feutre) à l'essence, et séchez-le complètement.
- Avant de remettre l'élément, assurez-vous qu'il soit complètement sec. Un séchage insuffisant de l'élément pourrait provoquer un démarrage difficile.
- Nettoyez avec un chiffon l'huile adhérent autour du capot du filtre à air et du reniflard du plateau.
- Immédiatement après avoir terminé le nettoyage, remettez en place le capot du filtre à air et fixez-le à l'aide des boulons de fixation. (Pour le remettre en place, commencez par le haut, puis le bas.)

Avertissement pour le maniement de l'élément du filtre à air

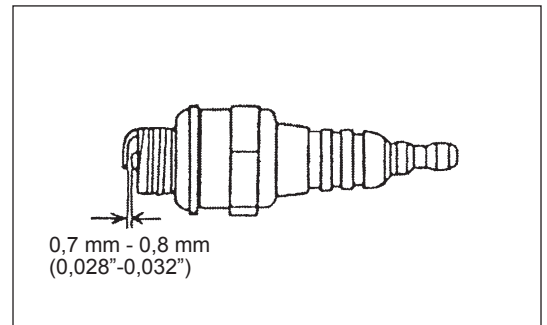
- Nettoyez l'élément plusieurs fois par jour si une poussière excessive y adhère.
- Si vous poursuivez l'utilisation alors que l'élément restant contient encore de l'huile, il est possible que l'huile présente dans le filtre à air soit expulsé à l'extérieur et contamine le terrain.



VÉRIFICATION DE LA BOUGIE

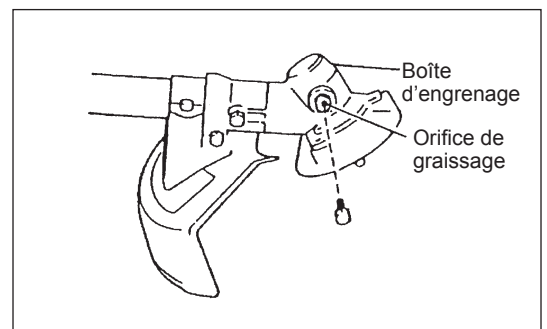
- N'utilisez que la clé universelle fournie pour enlever ou installer la bougie.
- L'écartement entre les deux électrodes de la bougie devrait être de 0,7 à 0,8 mm (0,028" à 0,032"). Réglez l'écartement s'il est trop large ou trop étroit. Si la bougie est bouchée ou contaminée, nettoyez-la complètement ou remplacez-la.

ATTENTION : Ne touchez jamais le connecteur de la bougie quand le moteur est en marche (danger de secousse électrique de haute tension).



GRAISSAGE DE LA BOÎTE D'ENGRENAGES

- Mettez de la graisse (Shell Alvania 2 ou équivalent) dans le carter d'engrenage à travers l'orifice de graissage toutes les 30 heures. (de la graisse d'origine DOLMAR peut être achetée chez votre revendeur DOLMAR.)



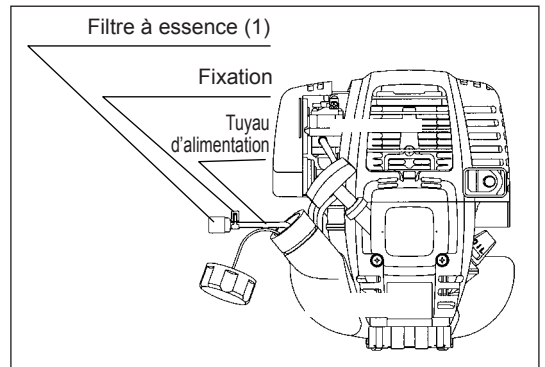
NETTOYAGE DU FILTRE À ESSENCE

ATTENTION : FLAMMES STRICTEMENT INTERDITES

Intervalle de nettoyage et d'inspection : tous les mois (toutes les 50 heures d'utilisation)

Crépine d'aspiration dans le réservoir

- Le filtre à essence (1) de la crépine d'aspiration est utilisé pour alimenter le carburant requis par le carburateur.
- Une inspection visuelle périodique du filtre à essence doit être effectuée. Pour ce faire, dévissez le bouchon du réservoir, utilisez un crochet à fil et retirez la crépine d'aspiration à travers l'orifice du réservoir. Les filtres qui sont devenus rigides, qui ont été pollués ou bouchés doivent être remplacés.
- Une alimentation de carburant insuffisante peut entraîner un excès de la vitesse maximale permise. Il est donc important de remplacer le filtre à essence au moins une fois tous les trois mois pour assurer une alimentation satisfaisante d'essence au carburateur.



REPLACEMENT DU TUYAU D'ALIMENTATION

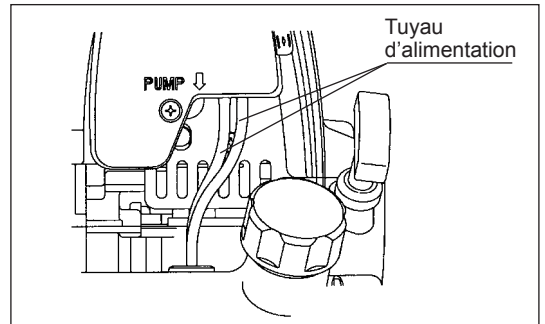
ATTENTION : FLAMMES STRICTEMENT INTERDITES

Intervalle de nettoyage et d'inspection : tous les jours (toutes les 10 heures d'utilisation)

Remplacement : tous les ans (toutes les 200 heures d'utilisation)

Remplacez le tuyau d'alimentation tous les ans, indépendamment de votre fréquence d'utilisation. Une fuite d'essence peut provoquer un incendie.

Si vous détectez une fuite pendant une inspection, remplacez immédiatement le tuyau d'alimentation.



INSPECTION DES BOULONS, ÉCROUS ET VIS

- Revissez les boulons, écrous, etc. desserrés.
- Vérifiez l'absence de fuite d'essence ou d'huile.
- Remplacez les pièces endommagées par de nouvelles pièces pour la sécurité d'utilisation.

NETTOYAGE DES PIÈCES

- Conservez toujours le moteur propre.
- Conservez les fentes de cylindre sans poussière ni saleté. Si de la poussière ou des saletés adhèrent aux fentes, cela peut créer des dommages aux pistons.

REPLACEMENT DE JOINTS STATIQUES ET DES TAMPONS AMORTISSEURS

Lorsque vous remontez le moteur après l'avoir démonté, assurez-vous de remplacer les joints statiques et les tampons amortisseurs par des pièces neuves.

Tout autre type d'entretien ou travail de réglage qui n'est pas décrit dans ce manuel peut n'être effectué que par des agents de réparations agréés.

ENTREPOSAGE

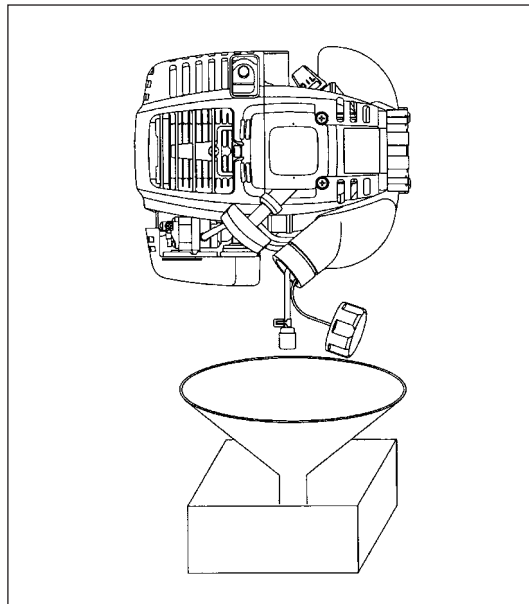


ATTENTION : Pour vidanger l'essence, veillez à arrêter le moteur et à vous assurer que le moteur ait refroidi. Juste après l'arrêt du moteur, il peut encore être chaud et provoquer des brûlures ou un incendie.



ATTENTION : Lorsque vous prévoyez de ne pas utiliser la machine pendant une longue période, vidangez le réservoir d'essence et le carburateur, et entreposez-le dans un endroit sec et propre.

- Pour vidanger le réservoir d'essence et le carburateur, suivez la procédure suivante :
 - 1) Retirez le bouchon du réservoir d'essence, et vidangez-le entièrement. S'il reste un corps étranger dans le réservoir, retirez-le complètement.
 - 2) Retirez le filtre à essence de l'orifice de remplissage en utilisant un fil.
 - 3) Pressez la poire d'amorçage jusqu'à la vider de toute essence et vidangez l'essence qui arrive dans le réservoir d'essence.
 - 4) Remplacez le filtre sur le réservoir d'essence, et vissez fermement le bouchon de réservoir.
 - 5) Ensuite, faites tourner le moteur jusqu'à ce qu'il s'arrête.
- Retirez la bougie et glissez plusieurs gouttes d'huile de moteur dans le logement de la bougie.
- Tirez doucement la poignée du démarreur afin que l'huile du moteur se répande sur le moteur, puis remettez la bougie en place.
- Fixez le capot sur le couteau.
- Pendant le stockage, conservez la barre à l'horizontale, ou entreposez la machine verticale, le côté du couteau dirigé vers le haut. (Dans ce cas, faites bien attention à empêcher que la machine ne puisse pas tomber.) Ne stockez jamais la machine avec le côté du couteau orienté vers le bas. De l'huile de lubrification pourrait se répandre.
- Entreposez l'essence vidangée dans un bidon spécial, dans un endroit ombragé et bien ventilé.



Attention après un entreposage pendant une longue période

- Avant de démarrer la machine après un long arrêt, veillez à remplacer le filtre à huile (voir à la page 41). L'huile se détériore lorsque la machine ne fonctionne pas pendant une longue période de temps.

Résolution de pannes

Panne	Système	Observation	Cause
Le moteur ne démarre pas, ou avec difficultés	Système d'allumage	Bougie d'allumage O.K. Pas d'allumage	Panne dans l'alimentation en carburant ou de la compression du système, panne mécanique Interrupteur STOP commandé, panne de câblage ou de court-circuit, bougie ou connecteur défectueux, module d'allumage défectueux
	Alimentation en carburant	Réservoir rempli de carburant	Position incorrecte de l'étrangleur, carburateur défectueux, ligne d'alimentation en carburant courbée ou bloquée, carburant encrassé
	Compression	Pas de compression lors de la mise en route	Joint statique inférieur du cylindre défectueux, joints d'étanchéité du vilebrequin endommagés, cylindre ou segments de piston défectueux ou mauvaise étanchéité des bougies
Problèmes de démarrage à chaud Le moteur démarre mais s'éteint	Panne mécanique	Commande du démarreur ne fonctionne pas	Ressort du démarreur cassé, pièces cassées à l'intérieur du moteur
	Alimentation en carburant	Réservoir plein, bougie d'allumage en place Réservoir rempli.	Carburateur contaminé, nettoyez-le Mauvais réglage du ralenti, carburateur contaminé
Performance insuffisante	Plusieurs systèmes peuvent être simultanément affectés	Mauvais ralenti du moteur	Event du réservoir défectueux, ligne d'alimentation en carburant interrompue, câble ou interrupteur STOP défectueux Filtre à air contaminé, carburateur contaminé, silencieux bouché, conduit d'échappement dans le cylindre bouché

Élément	Temps d'utilisation	Avant utilisation	Après lubrification	Journalière (10 h)	30 h	50 h	200 h	Arrêt/repos	P correspondante
Huile du moteur	Inspecter/ nettoyer	○							36
	Remplacez.					○*1			42
Serrage des pièces (boulon, écrou)	Inspecter	○							45
Réservoir de carburant	Nettoyer/ inspecter	○							—
	Vidangez le carburant							○*3	46
Levier d'accélération	Vérifier fonctionnement		○						—
Interrupteur d'arrêt	Vérifier fonctionnement		○						39
Couteau	Inspecter	○		○					34
Rotation au ralenti	Inspecter/ régler			○					40
Filtre à air	Nettoyez.			○					44
Bougie d'allumage	Inspecter			○					44
Conduite d'air de refroidissement	Nettoyer/ inspecter			○					45
Tuyau d'alimentation	Inspecter			○					45
	Remplacez.						◎*2		—
Graisse de la boîte d'engrenage	Remplir				○				44
Filtre à essence	Nettoyer/ remplacer					○			45
Espace entre les valves d'entrée et de sortie d'air	Régler						◎*2		—
Tube de graissage	Inspecter						◎*2		
Révision du moteur							◎*2		—
Carburateur	Vidangez le carburant							○*3	46

*1 Effectuez un remplacement initial après 20 heures d'utilisation.

*2 Confiez l'inspection des 200 heures de fonctionnement à un agent d'entretien agréé ou à un magasin.

*3 Après avoir vidé le réservoir d'essence, continuez à faire tourner le moteur et vidangez l'essence présente dans le carburateur.

RÉSOLUTION DE PROBLÈMES

Avant d'envoyer votre machine en réparation, vérifiez si vous pouvez régler le problème vous-même. Si vous trouvez un problème, contrôlez votre machine selon les descriptions de ce mode d'emploi. Ne démontez pas et ne modifiez pas de pièce d'une manière contraire à la description. Pour toute réparation, contactez un agent d'entretien agréé ou un revendeur local.

Problème	Cause probable (dysfonctionnement)	Solution
Le moteur ne démarre pas	Oubli d'activation de la poire d'amorçage	Appuyez 7 à 10 fois
	Tirage lent de la corde du démarreur	Tirez plus fort
	Panne d'essence	Faites le plein
	Filtre à essence bouché	Nettoyez
	Tube de graissage cassé	Étirez le tube de graissage
	Essence détériorée	Une essence détériorée rend le démarrage plus difficile. Remplacez-la par de l'essence neuve. (Remplacement recommandé : 1 fois par mois).
	Tirage excessif d'essence	Réglez le levier d'étrangleur de la vitesse moyenne à la vitesse élevée, et tirez sur la poignée de démarrage jusqu'à ce que le moteur démarre. Une fois le moteur démarré, le couteau commence à tourner. Faites très attention au couteau. Si le moteur ne démarre pas, retirez la bougie, séchez l'électrode et ré-assemblez le tout à l'original. Ensuite, démarrez comme indiqué.
	Connecteur des bougies débranché	Branchez-le fermement
	Bougie contaminée	Nettoyez
	Espacement anormal de la bougie	Réglez l'espacement
	Autre problème avec la bougie	Remplacez
	Carburateur anormal	Demandez une inspection et un entretien.
Le moteur s'arrête rapidement La vitesse du moteur n'augmente pas	Impossible de tirer la corde de démarrage	Demandez une inspection et un entretien.
	Entraînement anormal	Demandez une inspection et un entretien.
	Chauffage insuffisant	Faites chauffer le moteur
	Le levier d'étrangleur est en position « FERMER » alors que le moteur est chaud.	Réglez-le sur « OUVERT »
	Filtre à essence bouché	Nettoyez
	Filtre à air contaminé ou bouché	Nettoyez
Pas de rotation du couteau ↓ Arrêtez immédiatement le moteur	Carburateur anormal	Demandez une inspection et un entretien.
	Entraînement anormal	Demandez une inspection et un entretien.
	Écrou de serrage du couteau desserré	Serrez-le fermement
Vibrations anormales de la machine ↓ Arrêtez immédiatement le moteur	Branche attrapée par le couteau ou le couvercle anti-dispersion.	Retirez le corps étranger
	Entraînement anormal	Demandez une inspection et un entretien.
	Couteau cassé, tordu ou émoussé	Remplacez le couteau
	Écrou de serrage du couteau desserré	Serrez-le fermement
Le couteau ne s'arrête pas immédiatement ↓ Arrêtez immédiatement le moteur	Décalage de la partie convexe du couteau et de son support.	Branchez-le fermement
	Entraînement anormal	Demandez une inspection et un entretien.
	Rotation élevée au ralenti	Régler
Le moteur ne s'arrête pas ↓ Faites tourner le moteur au ralenti et réglez le levier d'étrangleur sur FERMER	Fil de l'étrangleur détaché	Branchez-le fermement
	Entraînement anormal	Demandez une inspection et un entretien.
	Connecteur débranché	Branchez-le fermement
	Système électrique anormal	Demandez une inspection et un entretien.

Lorsque le moteur ne démarre pas après l'avoir chauffé :

Si aucun problème n'apparaît après vérification, ouvrez l'étrangleur d'environ 1-3 et démarrez le moteur.

Herzlichen Glückwunsch, dass Sie sich für den Kauf einer Motorsense von DOLMAR entschieden haben. Wir freuen uns, Ihnen die Motorsense von DOLMAR anbieten zu können; diese Erzeugnisse sind das Ergebnis eines langen Entwicklungsprogramms und vieler Jahre an Erkenntnissen und Erfahrungen.

Lesen Sie diese Broschüre mit detaillierten Informationen zu den verschiedenen Punkten, die die herausragende Leistung demonstrieren, aufmerksam durch. So können Sie das best mögliche Ergebnis mit Ihrer Motorsense von DOLMAR erzielen.



Inhaltsverzeichnis	Seite
Symbole.....	49
Sicherheitsanweisungen.....	50
Technische Daten	54
Bezeichnung der Bauteile.....	55
Montieren des Griffs	56
Montieren des Schutzes	57
Montieren der Schneidklinge / des Nylon-Schneidkopfes.....	58
Vor dem Betrieb.....	59
Richtige Handhabung des Werkzeugs	61
Wichtige betriebsschritte und Stoppen des Werkzeugs	61
Schärfen des Schneidwerkzeugs	63
Wartungsanweisungen	65
Lagerung	69

SYMBOLE

Beachten Sie beim Lesen der Gebrauchsanleitung die folgenden Symbole.

	Bitte lesen Sie die Bedienungsanleitung und befolgen Sie die Warnungen und Sicherheitshinweise!		Tragen Sie Schutzhelm, Schutzbrille und Gehörschutz!
	Besondere Aufmerksamkeit erforderlich!		Maximal zulässige Werkzeugdrehzahl
	Verboten!		Kraftstoff (Benzin)
	Halten Sie Abstand!		Manueller Motorstart
	Gefahr durch herumfliegende Gegenstände!		Not-Aus
	Rauchverbot!		Erste Hilfe
	Umgang mit offenen Flammen verboten!		Recycling
	Tragen Sie Schutzhandschuhe!		EIN / START
	Tragen Sie festes Schuhwerk mit rutschfester Sohle. Empfohlen werden Arbeitsschutzhuhe mit Stahlkappen!		AUS / STOPP
	Rückschlag!		
	Im Arbeitsbereich dürfen sich weder Personen noch Tiere aufhalten!		

SICHERHEITSANWEISUNGEN

Allgemeine Sicherheitshinweise

- Zur Gewährleistung eines ordnungsgemäßen Betriebs muss der Benutzer diese Bedienungsanleitung aufmerksam durchlesen, um sich mit dem Umgang der Motorsense vertraut zu machen. Unzureichend informierte Benutzer gefährden sich selbst und andere aufgrund eines unsachgemäßen Umgangs.
- Es wird empfohlen, die Motorsense nur an Personen zu verleihen, die über Erfahrungen im Umgang mit Motorsensen verfügen. Überreichen Sie stets die Bedienungsanleitung.
- Erstanwender sollten den Händler nach grundlegenden Anleitungen fragen, um mit dem Umgang einer Motorsense vertraut zu werden.
- Kindern und Jugendlichen unter 18 Jahren ist die Bedienung der Motorsense untersagt. Personen über 16 Jahren dürfen das Gerät für Übungszwecke verwenden, jedoch nur unter Aufsicht eines qualifizierten Anleiters.
- Verwenden Sie die Motorsense stets mit größtmöglicher Sorgfalt.
- Betreiben Sie die Motorsense nur, wenn Sie in guter physischer Verfassung sind. Führen Sie alle Arbeiten ruhig und sorgfältig durch. Der Benutzer übernimmt die Haftung für andere.
- Betreiben Sie die Motorsense nie nach dem Genuss von Alkohol oder nach der Einnahme von Medikamenten, oder wenn Sie müde oder krank sind.

Verwendungszweck des Werkzeugs

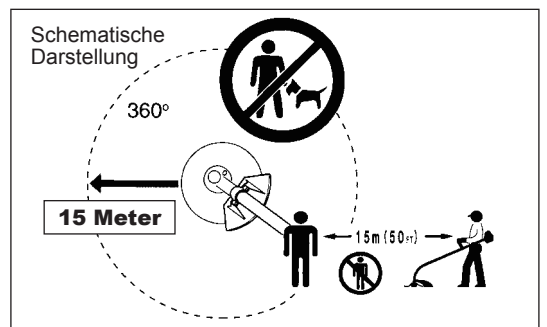
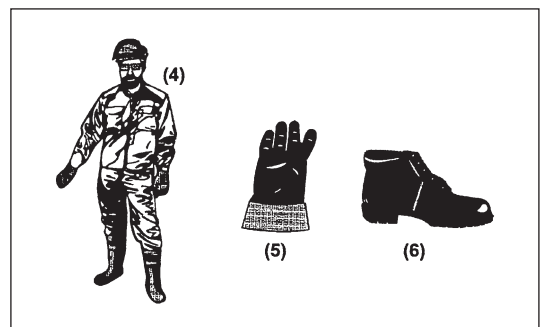
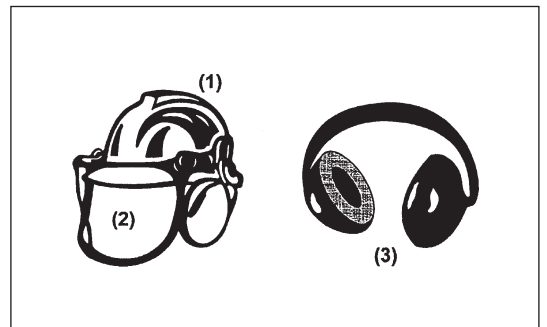
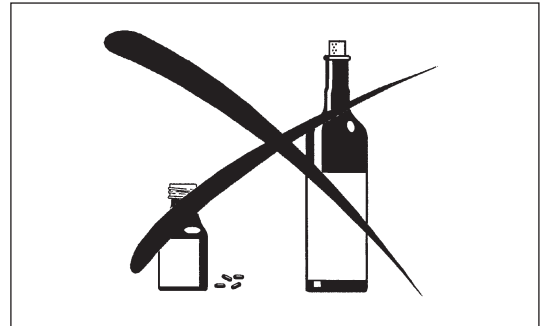
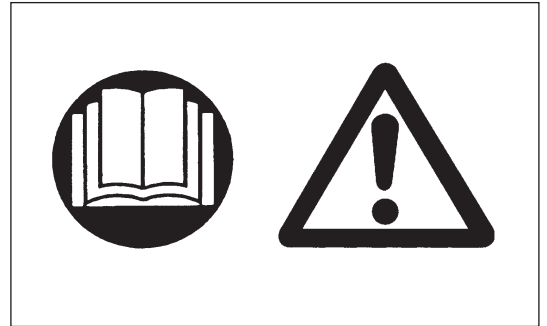
- Die Motorsense ist nur zum Schneiden von Gras, Unkraut, Büschen und Gestrüpp bestimmt, und darf nicht für andere Zwecke verwendet werden, beispielsweise zum Abkanten oder Heckeschneiden, da dies zu Verletzungen führen kann.

Persönliche Schutzausrüstung

- Die Kleidung sollte funktional und geeignet sein, d.h. sie sollte eng anliegen, aber keine Behinderung verursachen. Tragen Sie keinen Schmuck. Tragen Sie keine Kleidung, mit der Sie sich in Büschen oder Gestrüpp verfangen können.
- Um Verletzungen von Gehör, Augen, Händen und Füßen zu vermeiden, aber auch um Ihre Hörleistung während des Betriebs zu schützen, müssen Sie während der Bedienung der Motorsense die folgenden Schutzausrüstungen oder Schutzkleidungen tragen.
- Tragen Sie stets einen Helm, wenn Gegenstände herabfallen können. Der Schutzhelm (1) muss regelmäßig auf Beschädigungen überprüft und spätestens aller 5 Jahre ausgetauscht werden. Verwenden Sie ausschließlich zugelassene Schutzhelme.
- Das Visier (2) des Helms (oder alternativ eine Schutzbrille) schützt das Gesicht vor herumfliegenden Fremdkörpern und Steinen. Tragen Sie während des Betriebs der Motorsense eine Schutzbrille oder ein Visier, um Verletzungen der Augen zu vermeiden.
- Tragen Sie einen angemessenen Gehörschutz, um eine Schädigung des Gehörs zu vermeiden (Gehörschutzkapseln (3), Gehörschutzstöpsel usw.).
- Arbeitsanzüge (4) schützen gegen herumfliegende Steine und Fremdkörper. Wir empfehlen sehr, dass der Benutzer einen Arbeitsanzug trägt.
- Spezielle Handschuhe (5) aus dickem Leder sind Bestandteil der vorgeschriebenen Ausrüstung und müssen stets bei Betrieb der Motorsense getragen werden.
- Tragen Sie bei Betrieb der Motorsense stets feste Schuhe (6) mit einer rutschfesten Sohle. Dadurch sind Sie gegen Verletzungen geschützt und haben einen sicheren Halt.

Starten der Motorsense

- Vergewissern Sie sich, dass sich in einem Arbeitsbereich von 15 m (50 Fuß) keine Kinder oder andere Personen aufhalten, achten Sie außerdem auf Tiere im Arbeitsbereich.
- Überprüfen Sie vor der Verwendung stets den sicheren Betrieb der Motorsense. Prüfen Sie die Sicherheit des Schneidwerkzeugs, den Steuerungshebel auf einfache Bedienung und überprüfen Sie die ordnungsgemäße Funktionsweise der Arretierung des Steuerungshebels.
- Das Drehen des Scheidwerkzeugs im Leerlauf ist nicht zulässig. Überprüfen Sie bei Bedenken die Einstellung mit Ihrem Händler. Überprüfen Sie, dass die Griffe sauber und trocken sind und testen Sie die Funktionsweise des Start/Stoppschalters.

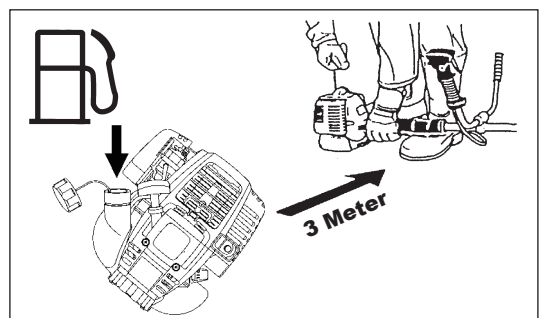
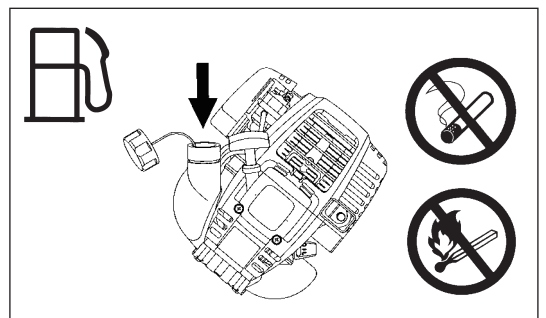
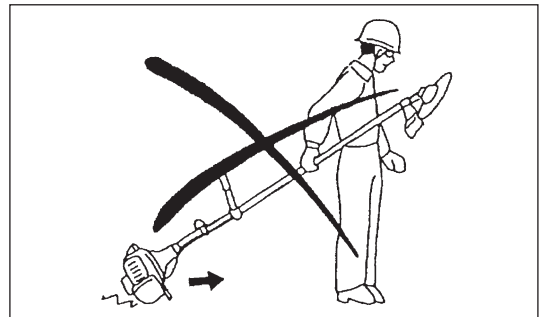
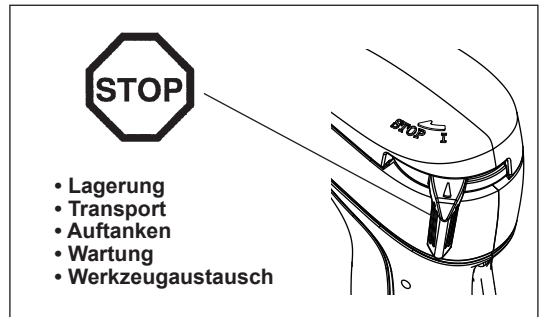
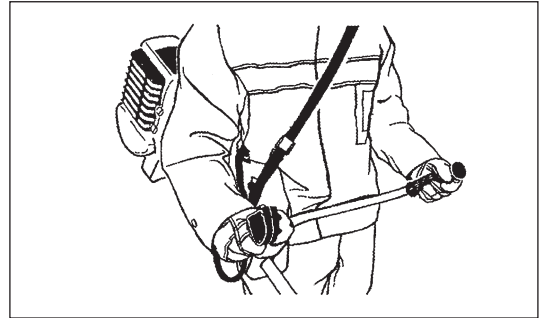
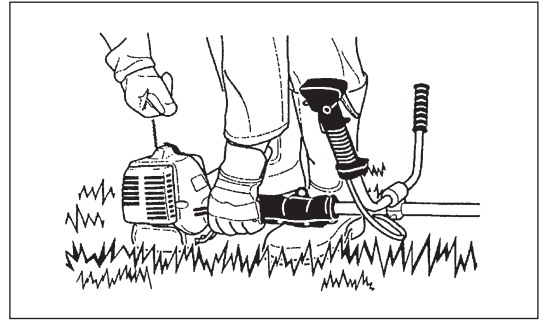


Starten Sie die Motorsense nur gemäß den Anleitungen.

- Starten Sie den Motor auf keine andere Weise!
- Verwenden Sie die Motorsense und die Werkzeuge nur für die angegebenen Zwecke.
- Starten Sie den Motor der Motorsense nur nach der vollständigen Montage des Werkzeugs. Der Betrieb des Werkzeugs ist nur nach Anbringen des geeigneten Zubehörs gestattet!
- Überprüfen Sie vor dem Starten, dass das Schneidwerkzeug keine harten Gegenstände (Geäst, Steine usw.) berührt, da sich das Schneidwerkzeug beim Starten dreht.
- Bei Motorproblemen muss der Motor sofort ausgeschaltet werden.
- Sollte das Schneidwerkzeug Steine oder andere harte Gegenstände treffen, schalten Sie sofort den Motor aus und überprüfen Sie das Schneidwerkzeug.
- Überprüfen Sie das Schneidwerkzeug in regelmäßigen, kurzen Intervallen. Prüfen Sie mit einem Klopfest auf Haarrisse.
- Betreiben Sie die Motorsense nur mit angefügtem Schultergurt, der vor dem Betrieb der Motorsense entsprechend eingestellt werden muss. Wichtig ist, dass der Schultergurt auf die Körperhöhe des Benutzers eingestellt wird, um ein Ermüden während der Verwendung zu verhindern. Halten Sie die Sense während des Betriebs niemals mit nur einer Hand.
- Halten Sie die Motorsense während des Betriebs stets mit beiden Händen. Sorgen Sie immer für eine gute Standsicherheit.
- Betreiben Sie die Motorsense stets so, dass Sie die Abgase nicht einatmen. Betreiben Sie den Motor niemals in geschlossenen Räumen (Risiko einer Gasvergiftung). Kohlenmonoxid ist ein geruchloses Gas.
- Schalten Sie den Motor aus, wenn Sie das Werkzeug ablegen, oder wenn Sie die Motorsense unbeaufsichtigt lassen, und lagern Sie das Werkzeug immer an einem sicheren Ort, um Verletzungen anderer Personen und Beschädigungen des Werkzeugs zu vermeiden.
- Legen Sie das heiße benzinbetriebene Werkzeug niemals in trockenes Gras oder auf andere entflammare Materialien.
- Das Schneidwerkzeug muss immer mit dem entsprechenden Schutz versehen werden.
Betreiben Sie das Werkzeug niemals ohne diesen Schutz!
- Alle mit dem Werkzeug gelieferten Schutzvorrichtungen und Abdeckungen müssen während des Betriebs verwendet werden.
- Betreiben Sie den Motor niemals mit beschädigtem Auspuffschalldämpfer.
- Schalten Sie den Motor während des Transports aus.
- Befestigen Sie während des Transports über große Distanzen den mitgelieferten Werkzeugschutz.
- Gewährleisten Sie während des Transports eine sichere Position der Motorsense, um das Auslaufen des Kraftstoffs zu verhindern.
- Stellen Sie während des Transports der Motorsense sicher, dass der Kraftstofftank völlig leer ist.
- Lassen Sie beim Abladen der Motorsense von einem LKW den Motor niemals fallen; dadurch kann der Kraftstofftank beschädigt werden.
- Lassen Sie die Motorsense nur in einem Notfall fallen, andernfalls kann die Motorsense ernstlich beschädigt werden.
- Heben Sie beim Bewegen immer das gesamte Werkzeug vom Boden an. Das Ziehen des Kraftstofftanks ist äußerst gefährlich und kann zu Beschädigung oder Auslaufen des Kraftstoffs führen und ggf. einen Brand verursachen.

Auftanken

- Schalten Sie den Motor aus, halten Sie den Motor von offenen Flammen fern und rauchen Sie während des Auftankens nicht.
- Vermeiden Sie Hautkontakt mit Mineralölprodukten. Atmen Sie den Kraftstoffdampf nicht ein. Tragen Sie während des Auftankens immer Schutzhandschuhe. Wechseln und reinigen Sie Schutzkleidung regelmäßig.
- Stellen Sie zur Vermeidung einer Kontaminierung des Erdbodens (Umweltschutz) sicher, dass weder Kraftstoff noch Öl in das Erdreich eindringt. Falls etwas Kraftstoff ausläuft, reinigen Sie die Motorsense sofort.
- Stellen Sie sicher, dass Ihre Kleidung nicht in Kontakt mit dem Kraftstoff kommt. Falls Ihre Kleidung in Kontakt mit Kraftstoff kommt, wechseln Sie die Kleidung sofort, um einen Brand zu verhindern.
- Überprüfen Sie den Tankdeckel regelmäßig, dass dieser sicher festgeschraubt werden kann und kein Kraftstoff ausläuft.
- Schrauben Sie den Tankdeckel vorsichtig fest. Entfernen Sie sich von dem Ort des Auftankens mindestens 3 m, bevor Sie den Motor starten.
- Nehmen Sie das Auftanken niemals in geschlossenen Räumen vor. Andernfalls kann eine Explosion aufgrund der Ansammlung von Kraftstoffdampf auf dem Boden verursacht werden.
- Transportieren und lagern Sie Kraftstoff nur in zugelassenen Behältern. Stellen Sie sicher, dass Kinder keinen Zugang zu dem gelagerten Kraftstoff haben.



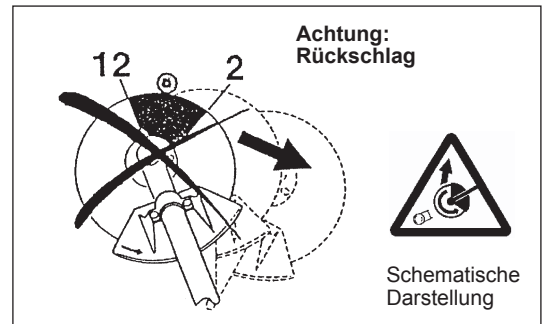
Betriebsmethode

- Verwenden Sie die Motorsense nur bei gutem Licht und guter Sichtweite. Achten Sie im Winter auf rutschige oder nasse Bereiche, z.B. auf vereiste oder schneebedeckte Flächen (Rutschgefahr). Sorgen Sie immer für eine gute Standsicherheit.
- Schneiden Sie niemals über Schulterhöhe.
- Betreiben Sie die Motorsense niemals, wenn Sie auf einer Leiter stehen.
- Betreiben Sie die Motorsense niemals, wenn Sie auf einen Baum geklettert sind.
- Arbeiten Sie niemals auf nicht stabilen Flächen.
- Entfernen Sie Sand, Steine, Nägel usw. innerhalb des Arbeitsbereichs. Fremdkörper können das Schneidwerkzeug beschädigen und so gefährliche Rückschläge verursachen.
- Vergewissern Sie sich vor Beginn des Schnitts, dass das Schneidwerkzeug die volle Arbeitsdrehzahl erreicht hat.



Rückschlag

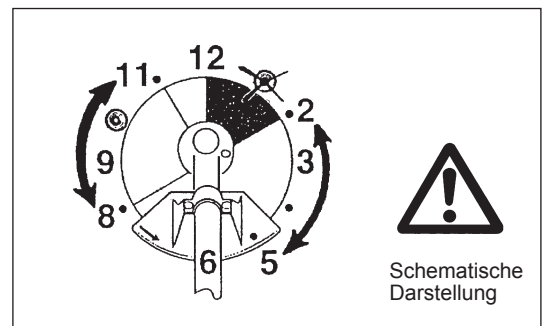
- Während des Betriebs der Motorsense können unkontrollierte Rückschläge auftreten.
- Rückschläge treten vor allem auf, wenn Sie im Blattabschnitt zwischen 12 und 2 einer Uhr schneiden.
- Wenden Sie niemals den Blattabschnitt der Motorsense zwischen 12 und 2 einer Uhr an.
- Wenden Sie diesen Bereich des Motorsensenblattes niemals an festen Gegenständen (Büsche oder Bäume usw.) mit einem Durchmesser von mehr als 3 cm an. Andernfalls wird die Motorsense mit großer Kraft abgelenkt, was sehr gefährlich ist und zu Verletzungen führen kann.



Rückschlagverhinderung

Beachten Sie Folgendes, um Rückschläge zu vermeiden:

- Das Arbeiten im Schneidblattbereich zwischen 12 und 2 einer Uhr ist extrem gefährlich, besonders bei Verwendung von Metallschneiden.
- Schnitтарbeiten im Schneidblattbereich zwischen 11 und 12 sowie zwischen 2 und 5 einer Uhr dürfen nur durch einen geschulten und erfahrenen Bediener, und dann nur bei eigenem Risiko durchgeführt werden. Der optimale Bereich für ein leichtes Schneiden mit fast keinen Rückschlägen ist zwischen 8 und 11 einer Uhr des Schneidblattes.

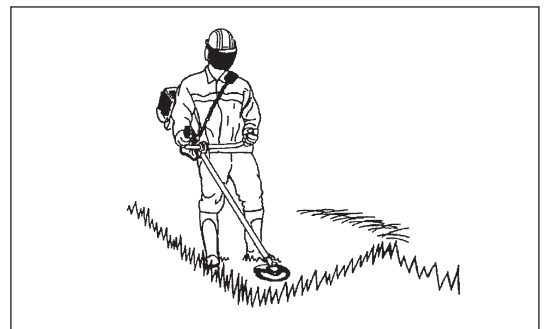


Schneidwerkzeuge

Verwenden Sie für die anstehenden Arbeiten ausschließlich das entsprechende Schneidwerkzeug.

MS-335.4 U mit Schneidklinge, Nylon-Schneidkopf

Zum Schneiden dickerer Materialien (z.B. Unkraut, hohes Gras, Büsche, Gestrüpp, Unterholz, Dickicht mit einer max. Dicke von 2 cm). Führen Sie diese Schnitтарbeiten durch Schwenken der Motorsense in Halbkreisen von rechts nach links durch (ähnlich wie eine Sense).



Wartungsanweisungen

- Überprüfen Sie immer den Zustand des Schneidmessers, vor allem auch der Schutzvorrichtungen und des Schultergurtes, bevor Sie mit der Arbeit beginnen. Achten Sie besonders auf ordnungsgemäß geschärfte Schneidklingen.
- Schalten Sie den Motor aus und entfernen Sie den Zündkerzenstecker, wenn Sie das Schneidwerkzeug austauschen oder schärfen, aber auch wenn Sie die Sense oder die Sensenklinge reinigen.

Begradigen oder schweißen Sie niemals beschädigte Schneidwerkzeuge.

- Der Betrieb der Motorsense ist auch mit einem leichten Geräusch oder einer geringen Verschmutzung möglich. Überprüfen Sie vor allem, dass der Vergaser richtig eingestellt ist.
- Reinigen Sie die Motorsense regelmäßig und überprüfen Sie, dass alle Schrauben und Muttern fest angezogen sind.
- Warten oder lagern Sie die Motorsense niemals in der Nähe offener Flammen.
- Lagern Sie die Motorsense in geschlossenen Räumen nur mit geleertem Tank.



Beachten Sie die relevanten Anweisungen zur Verhinderung von Unfällen, die von den entsprechenden Handelsorganisationen und Versicherungsunternehmen herausgebracht werden.

Führen Sie keine Veränderungen an der Motorsense, andernfalls gefährden Sie Ihre Sicherheit.

Der Bediener darf nur die in dieser Gebrauchsanleitung beschriebenen Wartungs- und Reparaturarbeiten durchführen. Alle anderen Arbeiten müssen von autorisiertem Wartungspersonal durchgeführt werden. Verwenden Sie ausschließlich originale Ersatz- und Zubehörteile, die von DOLMAR freigegeben sind und unterstützt werden.

Die Verwendung nicht genehmigter Zubehörteile und Werkzeuge führt zu einem erhöhten Unfallrisiko.

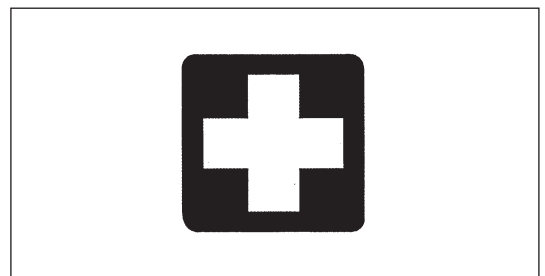
DOLMAR übernimmt keine Haftung für Unfälle oder Schäden, die durch die Verwendung nicht genehmigter Schneidwerkzeuge, Befestigungen der Schneidwerkzeuge und Zubehörteile verursacht werden.

Erste Hilfe

Stellen Sie für den Fall eines Unfalls sicher, dass ein Erste-Hilfe-Kasten in der Nähe des Schnittbetriebs verfügbar ist. Ersetzen Sie aus dem Erste-Hilfe-Kasten entnommene Artikel sofort.

Machen Sie folgende Angaben, wenn Sie Hilfe benötigen:

- Ort des Unfalls
- Was ist passiert
- Anzahl der verletzten Personen
- Art der Verletzungen
- Ihr Name



Verpackung

Zur Vermeidung von Transportschäden wird die Motorsense von DOLMAR in zwei Schutzkartons geliefert. Karton ist ein Grundrohstoff und wird folglich wiederverwendet oder ist recycelbar (Recycling von Abfallpapier).



EG-KONFORMITÄTSERKLÄRUNG

Modell: MS-335.4 U

Wir erklären unter unserer alleinigen Verantwortlichkeit, dass sich dieses Produkt in Übereinstimmung mit den folgenden Normen der Normdokumente 2004/108/EC, 2000/14/EC, 98/37/EC bis zum 28. Dezember 2009 und dann 2006/42/EC ab dem 29. Dezember 2009 befindet.

Die wichtigsten geltenden Standards zur Erfüllung der oben genannten Vorschriften sind: EN11806, EN55012.

Gemessene Schalleistung: 109,7 dB (A)

Garantierte Schalleistung: 112 dB (A)

Diese Schalleistungspegel wurden in Übereinstimmung mit den Ratsverordnungen 2000/14/EC gemessen. Verfahren zur Konformitätsbewertung: Anhang V.

19. DEZ 2008

Tamiro Kishima
Geschäftsführer

Rainer Bergfeld
Geschäftsführer

Verantwortlicher Hersteller:

Makita Corporation

3-11-8, Sumiyoshi-cho, Anjo, Aichi, JAPAN

Autorisierte Vertretung in Europa:

DOLMAR GmbH

Jenfelder Str. 38, 22045 Hamburg, Germany

TECHNISCHE DATEN MS-335.4 U

Modell		MS-335.4 U		
		Fahrradgriff		
Abmessungen: Länge x Breite x Höhe (ohne Schneidblatt)	mm	1.810 x 620 x 500		
Gewicht (ohne Kunststoffschutz und Schneidblatt)	kg	7,1		
Volumen (Kraftstofftank)	l	0,65		
Volumen (Öltank)	l	0,1		
Motorhubraum	cm ³	33,5		
Maximale Motorleistung ISO8893	kW	1,07 bei 7.000 min ⁻¹		
Maximale Rotationsfrequenz der Spindel	min ⁻¹	6.850		
Motordrehzahl bei empfohlener max. Spindel-Rotationsfrequenz	min ⁻¹	10.000		
Kraftstoffverbrauch bei max. Motorleistung ISO8893	kg/h	0,458		
Spezifischer Kraftstoffverbrauch bei max. Motorleistung	g/kWh	426		
Motordrehzahl im Leerlauf	min ⁻¹	3.000		
Drehzahl für Kupplungseingriff	min ⁻¹	4.100		
Vergaser (Membranvergaser)	Typ	WALBRO WYL		
Zündungssystem	Typ	Halbleiterzündung		
Zündkerzenstecker	Typ	NGK CMR4A		
Elektrodenabstand	mm	0,7 - 0,8		
Schwingung nach ISO 22867 ¹⁾	Rechter Griff (Hinterer Griff)	Leerlauf	m/s ²	1,34
		Hochtour- oder Volllast-Betriebsart	m/s ²	4,39
	Linker Griff (Vorderer Griff)	Leerlauf	m/s ²	1,28
		Hochtour- oder Volllast-Betriebsart	m/s ²	3,26
Durchschnittlicher Schalldruckpegel nach ISO 22868 ¹⁾	dBA	98,2		
Durchschnittlicher Schalleistungspegel nach ISO 22868 ¹⁾	dBA	106,7		
Kraftstoff		Fahrzeugbenzin		
Motorenöl		SAE 10W-30 Öl der API-Klassifikation, Klasse SF oder höher (4-Viertaktmotor für Autos)		
Schneidwerkzeuge (Schneidklingen-Durchmesser)	mm	305 (mit drei Klingen)		
Getriebeübersetzung		13/19		

1) Die vorbereiteten Daten berücksichtigen gleichermaßen die Leerlauf- und Hochtour- oder Volllast-Betriebsarten.

MONTIEREN DES GRIFFS

ACHTUNG: Stoppen Sie vor allen Arbeiten mit der Motorsense den Motor und ziehen Sie den Zündkerzenstecker von der Zündkerze.

Tragen Sie immer Schutzhandschuhe!

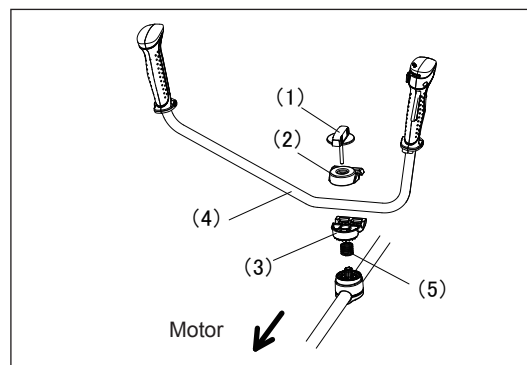
ACHTUNG: Stellen Sie sicher, dass Sie die Motorsense vor dem Start wieder vollständig montiert haben.



Für Modelle mit Fahrradgriff

- Lösen Sie den Knauf (1).
- Richten Sie den Griff (4) zwischen Griffklemme (2) und Griffhalterung (3) aus.
- Richten Sie den Griff (4) in einem Winkel aus, der Ihnen eine komfortable Arbeitsposition ermöglicht und sichern Sie diesen anschließend, indem Sie den Knauf (1) handfest anziehen.

ACHTUNG: Vergessen Sie nicht, die Feder mit zu montieren (5).



MONTIEREN DES SCHUTZES

Zur Einhaltung der geltenden Sicherheitsstandards dürfen Sie nur die in dieser Übersicht aufgezeigten Werkzeug/Schutz-Kombinationen verwenden.

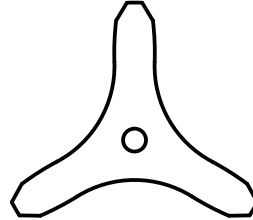


Verwenden Sie ausschließlich originale Schneidklingen / Nylon-Schnittköpfe von DOLMAR.

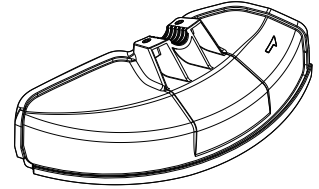
- Die Schneidklinge muss gut glänzen und darf keine Risse oder Brüche aufweisen. Falls die Schneidklinge während des Betriebs gegen Steine schlägt, stoppen Sie den Motor und überprüfen Sie die Klinge sofort.
- Schärfen oder ersetzen Sie die Schneidklinge aller drei Betriebsstunden.
- Falls der Nylon-Schneidkopf während des Betriebs gegen Steine schlägt, stoppen Sie den Motor und überprüfen Sie den Nylon-Schneidkopf sofort.

ACHTUNG: Für Ihre eigene Sicherheit und für die Einhaltung der Bestimmungen zur Unfallverhinderung müssen Sie stets den entsprechenden Schutz anbringen. Der Betrieb des Werkzeugs ohne installiertem Schutz ist verboten. Der Außendurchmesser der Schneidklinge muss 255 mm (10") betragen. Schneidklingen mit einem Außendurchmesser von 305 mm (12") können nur für diejenigen mit drei Klingen verwendet werden.

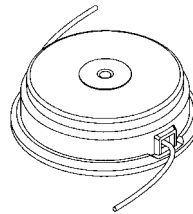
Metallschneide



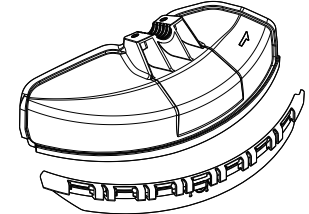
Schutz für Metallschneiden



Nylon-Schneidkopf

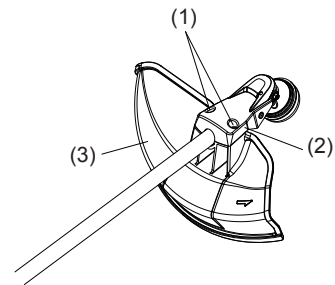


Schutz für Nylon-Schneidkopf



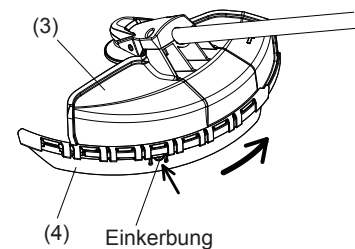
- Befestigen Sie bei Verwendung einer Metallschneide den Schutz (3) mit zwei Schrauben M6 x 30 (1) an der Klemme (2).

HINWEIS: Ziehen Sie die rechte und linke Schraube gleichmäßig fest, sodass die Lücke zwischen der Klemme (2) und dem Schutz (3) gleich bleibt. Andernfalls könnte der Schutz ggf. nicht wie angegeben funktionieren.



- Vergewissern Sie sich bei Verwendung des Nylonseilschneiders, dass der Schutz für den Nylonseilschneider (4) auf dem Schutz der Metallschneide montiert ist (3).
- Montieren Sie den Schutz des Nylonseilschneiders (4), indem Sie die mittige Einkerbung nach unten halten und von der Flanke des Schutzes der Metallschneide (3) hineinschieben.
- Entfernen Sie das auf der Schneide aufgeklebte Band am Schutz des Nylonseilschneiders (4).

ACHTUNG: Überprüfen Sie, dass Sie den Schutz des Nylonseilschneiders (4) vollständig eingedrückt haben. Achten Sie darauf, dass Sie sich nicht beim Abschneiden des Nylonseils an der Schneide verletzen.

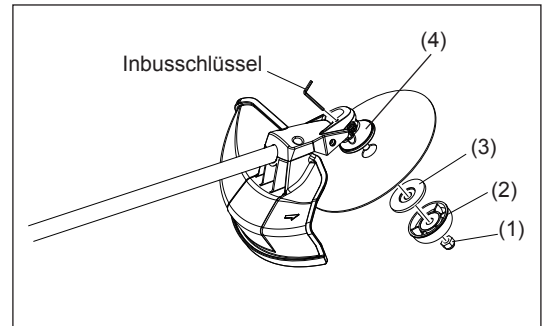


MONTIEREN DER SCHNEIDKLINGE / DES NYLON-SCHNEIDKOPFES

Die Schneidklinge oder den Nylon-Schneidkopf können Sie einfach austauschen, wenn Sie vorher das Werkzeugumdrehen.



- Stecken Sie den Inbusschlüssel durch die Öffnung im Getriebegehäuse und drehen Sie die Aufnahmescheibe (4), bis diese mit dem Inbusschlüssel einrastet.
- Lösen Sie die Mutter (1) (Linksgewinde) mit dem Steckschlüssel, und entfernen Sie die Mutter (1), den Ring (2) und die Klemmscheibe (3).



Montieren der Schneidklinge

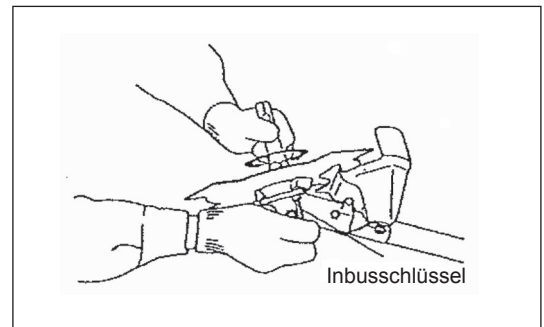
Mit eingestecktem Inbusschlüssel:

- Montieren Sie die Schneidklinge auf dem Schaft, sodass die Führung der Aufnahmescheibe (4) in das Spindeloch in der Schneidklinge passt. Befestigen Sie die Klemmscheibe (3), den Ring (2) und sichern Sie die Schneidklinge mit der Mutter (1).
[Anzugsmoment: 13 bis 23 Nm]

HINWEIS: Tragen Sie beim Umgang mit der Schneidklinge immer Schutzhandschuhe.

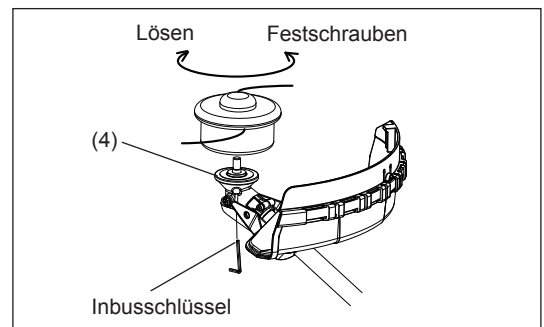
HINWEIS: Die Mutter zum Festziehen der Schneidklinge (mit Federscheibe) ist ein Verschleißteil.

Wenn Sie Verschleiß oder Deformation an der Federscheibe feststellen, ersetzen Sie die Mutter.

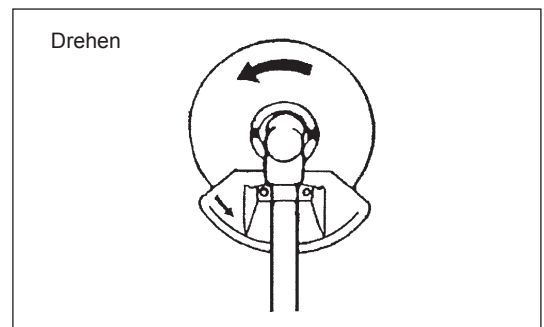


Montieren des Nylon-Schneidkopfes

- Für die Montage des Nylon-Schneidkopfes werden die Klemmscheibe (3), der Ring (2) und die Mutter (1) nicht benötigt. Der Nylon-Schneidkopf muss auf die Aufnahmescheibe (4) passen.
- Stecken Sie den Inbusschlüssel durch die Öffnung im Getriebegehäuse und drehen Sie die Aufnahmescheibe (4), bis diese mit dem Inbusschlüssel einrastet.
- Schrauben Sie anschließend den Nylon-Schneidkopf auf den Schaft auf, indem Sie den Schnittkopf entgegen dem Uhrzeigersinn drehen.
- Entfernen Sie den Inbusschlüssel.



- Vergewissern Sie sich, dass die Klinge gegen den Uhrzeigersinn dreht.



VOR DEM BETRIEB

Inspektion und Nachfüllen von Motorenöl

- Gehen Sie dazu wie folgt vor, wenn der Motor abgekühlt ist.
- Entfernen Sie bei Beibehaltung des Antriebsniveaus den Ölstandsanzeiger und überprüfen Sie, dass der Ölstand zwischen den oberen und unteren Begrenzungsmarken liegt.
Wenn der Ölstand so niedrig sein sollte, dass nur die Spitze der Ölstandsanzeige das Öl berührt, vor allem bei in das Motorgehäuse eingesteckter, aber nicht festgeschraubter Ölstandsanzeige (Abb. 1), füllen Sie Öl über die Öffnung nach (Abb. 2).
- Hinweis: Die Ölnachfüllzeit beträgt etwa 15 h (Nachfüllhäufigkeit: 15 Mal).
Falls das Öl seine Farbe ändert oder sich mit Schmutz vermischt, ersetzen Sie es durch neues Öl. (Weitere Informationen zum Intervall und der Methode des Ölwechsels finden Sie auf den Seiten 65 und 66)

Empfohlenes Öl: SAE 10W-30 Öl der API-Klassifikation, Klasse SF oder höher (4-Viertaktmotor für Autos)

Ölmenge: ca. 0,1 l

Hinweis: Falls der Motor nicht aufrecht gehalten wird, kann Öl rund um den Motor fließen, sodass zuviel Öl nachgefüllt wird.
Falls zuviel Öl eingefüllt wird, kann das Öl verschmutzt werden oder mit weißem Rauch Feuer fangen.

Punkt 1 beim Ölwechsel: "Ölstandsanzeiger"

- Entfernen Sie Staub und Schmutz um den Öleinfüllstutzen und entfernen Sie den Ölstandsanzeiger.
- Halten Sie die entfernte Ölstandsanzeige frei von Sand und Staub. Andernfalls kann anhaftender Sand oder Staub eine abnormale Ölzirkulation oder einen Verschleiß der Motorteile verursachen und Probleme verursachen.
- Um die Ölstandsanzeige sauber zu halten, wird empfohlen, diese an der Knopfseite in die Motorabdeckung einzusetzen (siehe Abb. 3).



Abb. 1

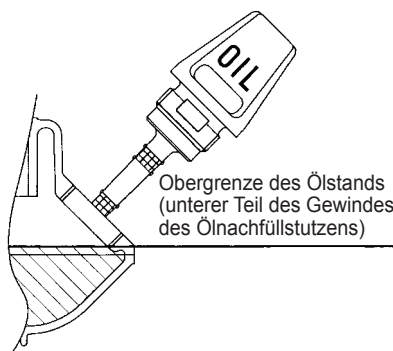


Abb. 2

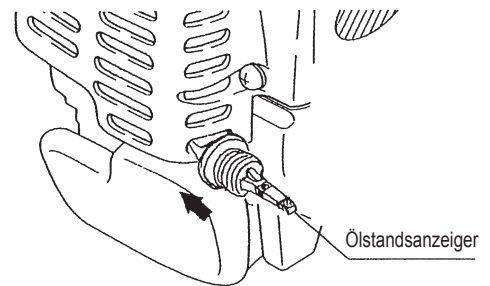
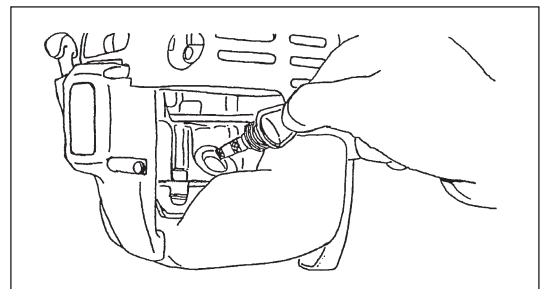


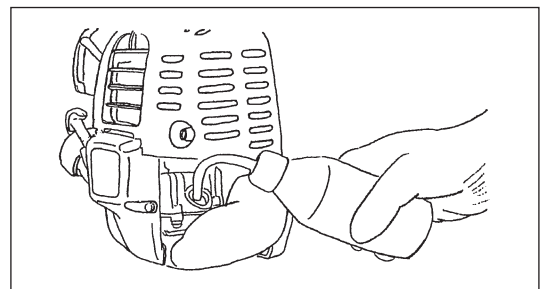
Abb. 3

(1) Halten Sie das Antriebsniveau und trennen Sie die Ölstandsanzeige ab.



(2) Füllen Sie Öl bis zur Kante des Ölnachfüllstutzens auf. (Siehe Abb. 2).
Füllen Sie Öl über den Schmiermittel-Nachfüllcontainer ein.

(3) Ziehen Sie die Ölstandsanzeige fest. Bei unzureichendem Festziehen kann Öl auslaufen.



Punkt 2 beim Ölwechsel: "Falls Öl ausläuft"

- Falls Öl zwischen Kraftstofftank und Motorenhauptblock ausläuft, wird das Öl über den Kühlluft einlass angesaugt, sodass der Motor verunreinigt wird. Vergewissern Sie sich, dass Sie vor dem Start des Betriebs alles ausgelaufene Öl abgewischt haben.

AUFTANKEN

Umgang mit dem Kraftstoff

Beim Umgang mit Kraftstoff ist äußerste Vorsicht geboten. Kraftstoffe können Substanzen enthalten, die Lösungsmitteln entsprechen. Tanken Sie nur in einem gut belüfteten Raum oder im Freien auf. Atmen Sie die Kraftstoffdämpfe nicht ein, und vermeiden Sie jeglichen Kontakt mit dem Kraftstoff. Durch anhaltenden oder wiederholten Hautkontakt wird Ihre Haut trocken, was zu Hauterkrankungen oder allergischen Reaktionen führen kann. Falls Kraftstoff in Ihre Augen gelangt, reinigen Sie diese sofort mit frischem Wasser. Falls die Augenirritation anhält, suchen Sie einen Arzt auf.

Aufbewahrungszeitraum von Kraftstoff

Der Kraftstoff sollte innerhalb eines Zeitraums von 4 Wochen verwendet werden, auch wenn er in einem speziellen Container an einem gut belüfteten, schattigen Ort gelagert wird.

Falls kein spezieller Container verwendet wird, oder falls der Container nicht verschlossen wird, kann der Kraftstoff innerhalb eines Tages zerfallen.

LAGERUNG DES WERKZEUGS UND AUFTANKEN

- Lagern Sie das Werkzeug und den Tank an einem kühlen Ort ohne direkte Sonneneinstrahlung.
- Lagern Sie Kraftstoff niemals in der Zelle oder im Schlauch.

Kraftstoff

Der Motor ist ein Vier-Takt-Motor. Vergewissern Sie sich, dass Sie Fahrzeugbenzin (Normal- oder Super-Benzin) verwenden.

Wichtige Punkte beim Tanken

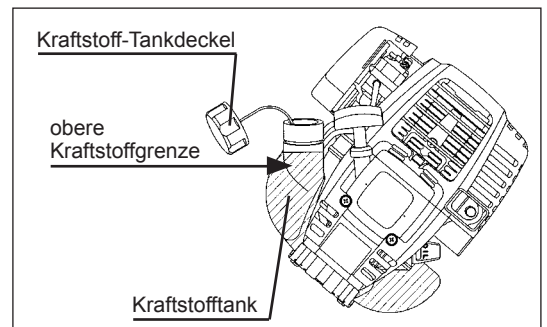
- Verwenden Sie niemals ein Gemisch aus Benzin und Motorenöl. Andernfalls treten übermäßige Kohleablagerungen oder mechanische Probleme auf.
- Die Verwendung von zersetztem Öl führt zu einem ungleichförmigen Anlaufen.

Auftanken

WARNUNG: UMGANG MIT FEUER STRENGSTENS VERBOTEN

Verwendetes Benzin: Fahrzeugbenzin (bleifreies Benzin)

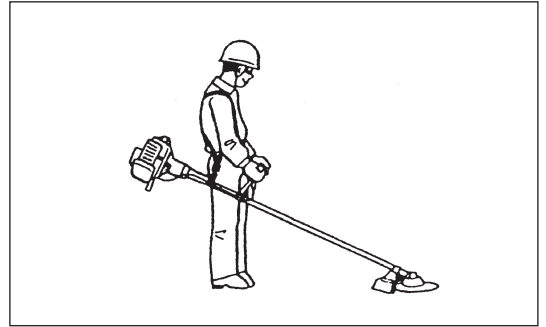
- Öffnen Sie den Tankdeckel ein wenig, um einen Druckausgleich zu gewährleisten.
 - Entfernen Sie den Tankdeckel. Tanken Sie auf und leiten Sie die Luft ab, indem Sie den Kraftstofftank neigen, sodass der Nachfüllstutzen nach oben zeigt. (Füllen Sie Kraftstoff niemals bis zum Ölnachfüllstutzen.)
 - Wischen Sie um den Tankdeckel gut sauber, damit keine Fremdkörper in den Kraftstofftank eindringen können.
 - Schrauben Sie nach dem Auftanken den Tankdeckel sicher fest.
- Falls der Tankdeckel einen Riss oder eine Beschädigung aufweist, ersetzen Sie ihn.
 - Der Tankdeckel ist ein Verschleißartikel und sollte daher aller zwei bis drei Jahre erneuert werden.



RICHTIGE HANDHABUNG DES WERKZEUGS

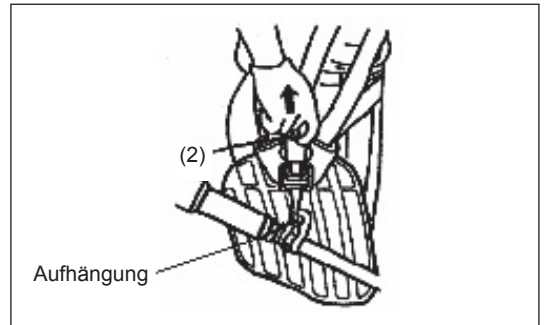
Befestigen des Schultergurtes

- Stellen Sie die Gurtlänge so ein, dass die Schneidklinge parallel zum Boden verläuft.



Trennen

- Entfernen Sie im Notfall den Notfall-Trennhebel (2), indem Sie hier kräftig mit einem Finger ziehen. Der Werkzeugträger wird vom Körper getrennt. Gehen Sie äußerst vorsichtig vor, damit Sie jederzeit die Kontrolle über das Werkzeug behalten. Lassen Sie nicht zu, dass das Werkzeug in Ihre Richtung oder in Richtung anderer Personen in Ihrer Nähe abprallt.
- WARNUNG:** Andernfalls können Sie die Kontrolle über das Werkzeug verlieren und schwere oder TÖDLICHE Verletzungen verursachen.



WICHTIGE BETRIEBSSCHRITTE UND STOPPEN DES WERKZEUGS

Beachten Sie die geltenden Bestimmungen zur Unfallvermeidung!

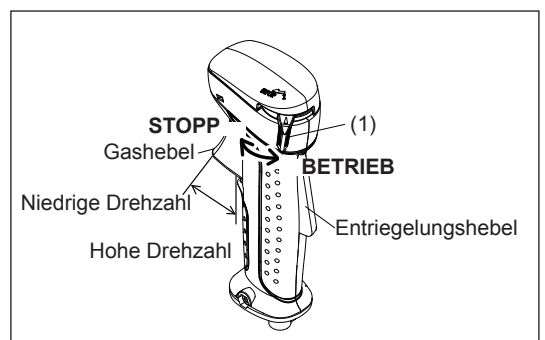


STARTEN

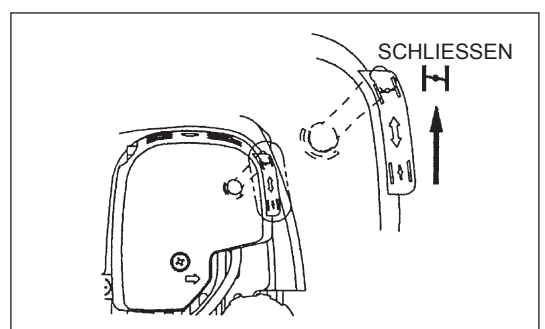
Bewegen Sie sich mindestens 3 m von dem Platz des Auftankens weg. Legen Sie die Motorsense auf einem sauberen Untergrund ab und achten Sie darauf, dass das Schneidwerkzeug nicht in Kontakt mit dem Erdboden oder anderen Gegenständen kommt.

A: Kaltstart

- 1) Legen Sie das Werkzeug auf einer ebenen Fläche ab.



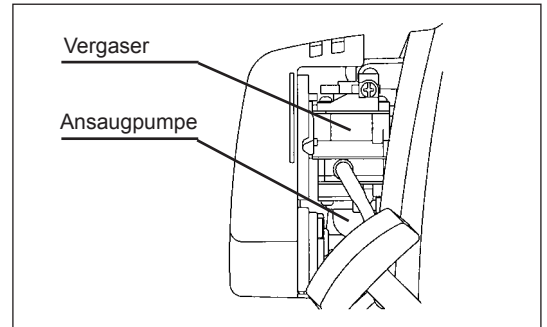
- 2) Stellen Sie den I/O-Schalter (1) auf BETRIEB.
- 3) Choke-Hebel
Schließen Sie den Choke-Hebel.
Öffnen des Chokes:
 - Bei kalten Temperaturen oder wenn der Motor kalt ist, ist der Choke völlig geschlossen.
 - Direkt nach dem Stopp des Betriebs ist der Choke voll oder halb geöffnet.



4) Ansaugpumpe

Drücken Sie die Ansaugpumpe weiter, bis Kraftstoff in die Ansaugpumpe eintritt. (Im Allgemeinen tritt Kraftstoff nach 7 bis 10 Pumpvorgängen in die Ansaugpumpe ein.)

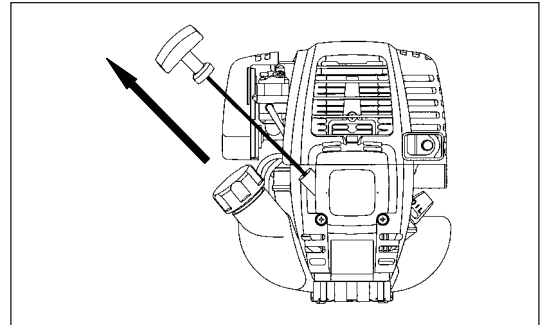
Falls die Ansaugpumpe übermäßig gedrückt wird, fließt das übermäßige Benzin zurück in den Kraftstofftank.



5) Rückstoßstarter

Ziehen Sie langsam den Starterknopf, bis dieser schwer zu ziehen ist (Verdichtungspunkt). Schieben Sie den Starterknopf anschließend zurück und ziehen Sie den Starterknopf nun kräftig.

Ziehen Sie das Seil niemals ganz. Lassen Sie beim Ziehen des Starterknopfs niemals unvermittelt los. Halten Sie den Starterknopf, bis dieser in die ursprüngliche Lage zurückgekehrt ist.



6) Choke-Hebel

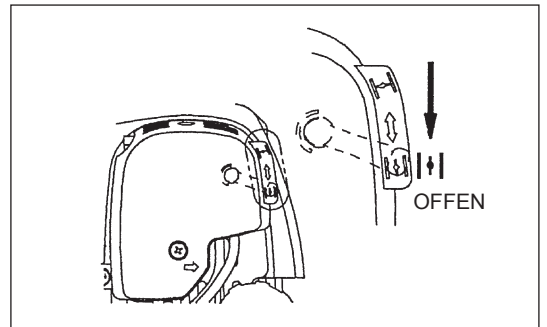
Öffnen Sie zum Starten des Motors den Choke-Hebel.

– Öffnen Sie den Choke-Hebel immer mehr, während Sie den Betrieb des Motors prüfen. Vergewissern Sie sich, dass Sie den Choke-Hebel vollständig öffnen.

– Öffnen Sie im kalten oder abgekühlten Zustand des Motors den Choke-Hebel niemals plötzlich. Andernfalls stoppt der Motor.

7) Aufwärmbetrieb

Setzen Sie den Aufwärmbetrieb für 2 bis 3 Minuten fort.



Hinweis: – Wenn Sie den Startergriff wiederholt ziehen, und der Choke-Hebel sich in der Position SCHLIESSEN befindet, startet der Motor aufgrund der übermäßigen Kraftstoffaufnahme nicht leicht.

– Falls übermäßig Kraftstoff aufgenommen wird, entfernen Sie die Zündkerze und ziehen Sie den Startergriff langsam, um den übermäßigen Kraftstoff zu entfernen. Trocknen Sie außerdem den Bereich der Elektrode an der Zündkerze.

Vorsichtsmaßnahmen bei Betrieb:

Falls der Gashebel während des Leerlaufbetriebs vollständig geöffnet ist, erreicht die Motordrehzahl über 10.000 U/min. Betreiben Sie den Motor niemals mit einer höheren Drehzahl als erforderlich, halten Sie eine Drehzahl von ca. 6.000 bis 8.500 U/min ein.

B: Anlaufen nach dem Aufwärmbetrieb

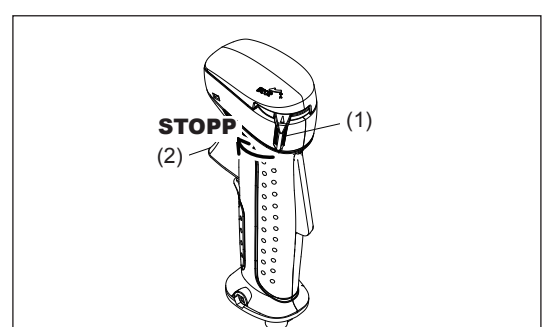
- 1) Drücken Sie die Ansaugpumpe wiederholt.
- 2) Halten Sie den Gashebel in der Leerlaufposition.
- 3) Ziehen Sie den Rückstoßstarter kräftig.
- 4) Falls sich der Motor schwer starten lässt, öffnen Sie den Gashebel um 1/3. Achten Sie auf die Schneidklinge, sie könnte sich drehen.

Achtung bei Betrieb

Wird der Motor in umgedrehter Position betrieben, kann aus dem Schalldämpfer weißer Rauch austreten.

STOPPEN

- 1) Lassen Sie den Gashebel (2) vollkommen los, und drücken Sie, wenn sich die Motordrehzahl verlangsamt hat, den I/O-Schalter in die Position STOPP, um den Motor zu stoppen.
- 2) Beachten Sie, dass der Schneidkopf nicht sofort stoppt, und prüfen Sie, dass dieser von selbst langsamer wird.



Betrieb des Gashebels

Halten Sie den Hauptblock des Gashebels mit der Hand (mit gedrücktem Entriegelungshebel), ziehen Sie den Gashebel und die Motordrehzahl erhöht sich. Wenn Sie den Gashebel loslassen, wird der Motor erneut im Leerlauf betrieben. Nehmen Sie die Hand vom Hauptblock des Gashebels, und der Entriegelungshebel kehrt automatisch zurück, sodass der Gashebel nicht aus Versehen gezogen werden kann.

Einstellen der Motor-DREHZAHL

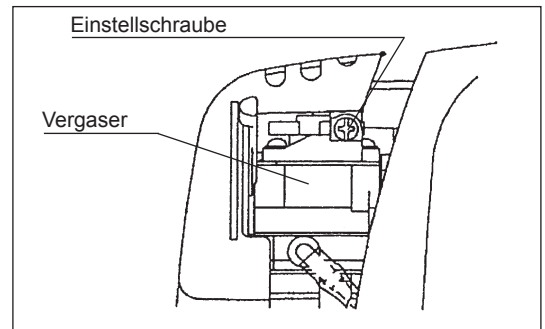
Drehen Sie zum Einstellen der Motordrehzahl mit vollständig geöffnetem Gashebel den Gashebel-Drehregler. Durch Drehen des Reglers im Uhrzeigersinn wird die Motordrehzahl verringert. Durch Drehen des Reglers entgegen dem Uhrzeigersinn wird die Motordrehzahl erhöht.

ANPASSEN DER NIEDERDREHZAHL (LEERLAUF)

Passen Sie die Leerlaufdrehzahl bei Bedarf mit Hilfe der Vergaser-Einstellschraube an.

ÜBERPRÜFEN DER NIEDERDREHZAHL

- Stellen Sie die Leerlaufdrehzahl auf 3.000 U/min ein. Passen Sie die Leerlaufdrehzahl bei Bedarf an, indem Sie die Einstellschraube (links abgebildet) mit einem Kreuzschlitz-Schraubendreher regulieren.
- Drehen Sie die Einstellschraube nach rechts, um die Motordrehzahl zu erhöhen. Drehen Sie die Einstellschraube nach links, um die Motordrehzahl zu verringern.
- Im Allgemeinen wurde der Vergaser vor dem Versand eingestellt. Falls eine Neueinstellung erforderlich ist, wenden Sie sich bitte an ein autorisiertes Servicezentrum.



SCHÄRFEN DES SCHNEIDWERKZEUGS



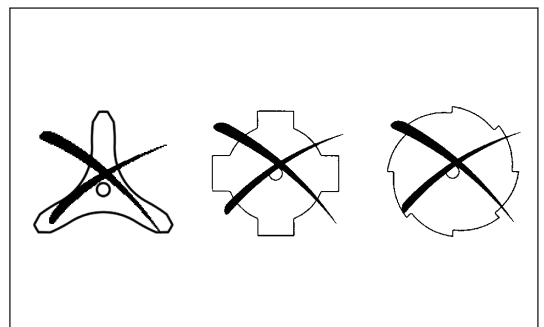
ACHTUNG:

Die im Folgenden aufgeführten Schneidwerkzeuge dürfen nur durch autorisierte Einrichtungen geschärft werden. Manuelles Neuschärfen führt zu Unwuchten des Schneidwerkzeugs, wodurch Vibrationen und Beschädigungen des Werkzeugs verursacht werden.

- Schneidklinge
Professionelle Schärf- und Auswuchtdienste werden von autorisierten Dienstleistungsunternehmen angeboten.

HINWEIS:

Zur Verbesserung der Lebenszeit der Schneidklinge muss die Klinge möglicherweise umgedreht werden, damit sich beide Schneidkanten abnutzen.



NYLON-SCHNEIDKOPF

Der Nylon-Schneidkopf ist ein zweiseitiger Motorsensenkopf mit automatischen und Stoß-Zufuhr-Mechanismen.

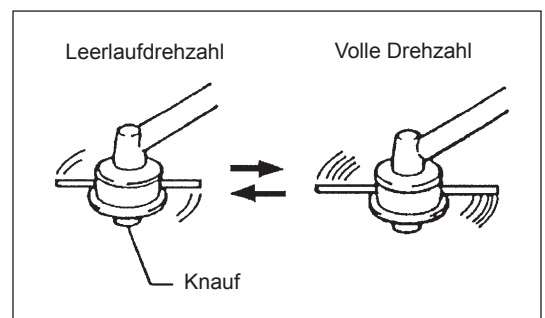
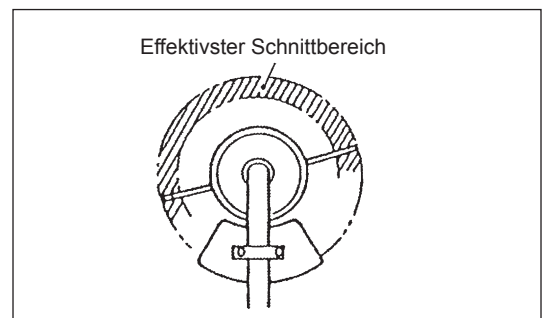
Der Nylon-Schneidkopf gibt automatisch die entsprechende Länge des Nylonseils heraus, dies geschieht durch Ändern der Zentrifugalkraft aufgrund der Zunahme oder Abnahme der Drehzahl. Um weiches Gras jedoch wirksamer zu schneiden, stoßen Sie den Nylon-Schneidkopf gegen den Boden, um ein Stück zusätzliches Seil herauszuführen (siehe Betriebsabschnitt).

Betrieb

- Erhöhen Sie die Drehzahl des Nylon-Schneidkopfes auf ca. 6.000 U/min. Bei niedrigeren Drehzahlen (unter 4.800 U/min) wird das Nylonseil nicht korrekt herausgeführt.
- Der effektivste Schnittbereich ist in der Abbildung rechts schraffiert dargestellt.

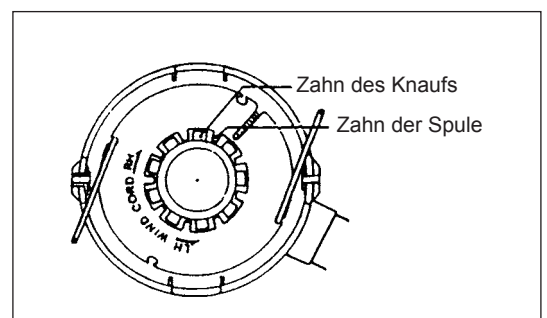
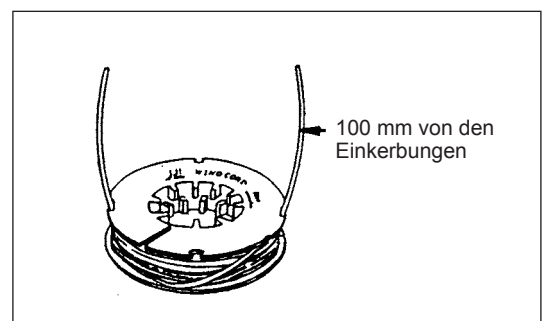
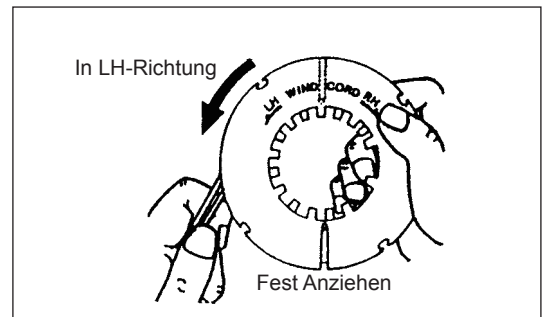
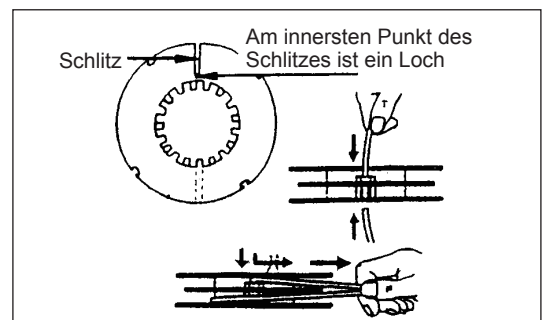
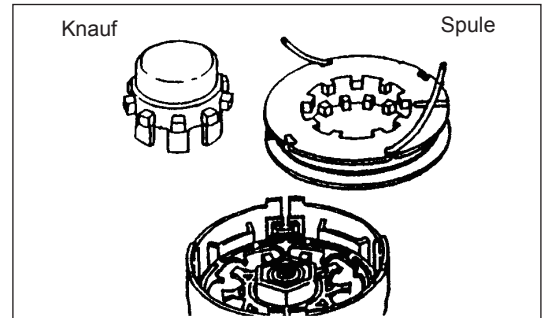
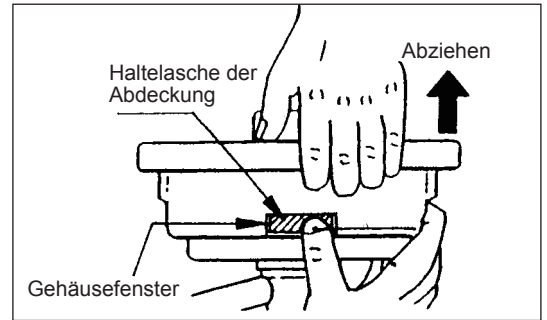
Falls das Nylonseil nicht automatisch herausgeführt wird, gehen Sie wie folgt vor:

1. Lassen Sie den Gashebel los, sodass der Motor im Leerlauf ist, und drücken Sie den Gashebel dann ganz ein. Wiederholen Sie dies, bis das Nylonseil die richtige Länge hat.
2. Falls das Nylonseil zu kurz ist, um mittels dieser Methode automatisch herausgeführt zu werden, stoßen Sie den Knauf des Nylon-Schneidkopfes gegen den Boden, um das Nylonseil herauszuführen.
3. Falls das Nylonseil nicht mithilfe der Vorgehensweise 2 herausgeführt werden kann, spulen Sie das Nylonseil auf und tauschen Sie es aus (siehe Abschnitt „Ersetzen des Nylonseils“).

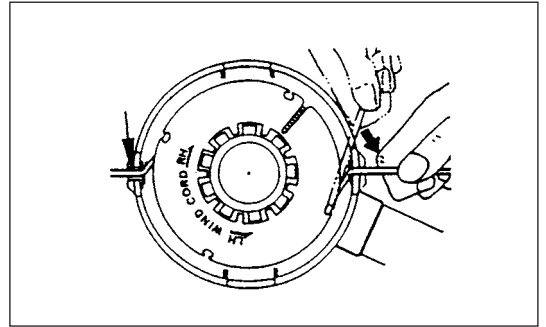


Ersetzen des Nylonseils

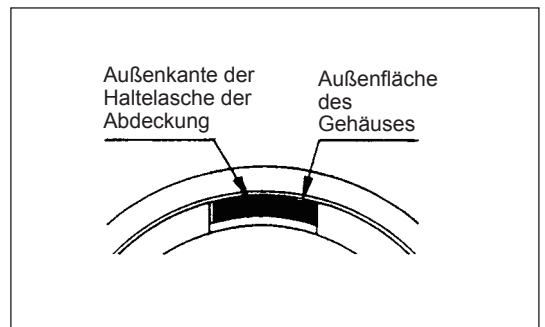
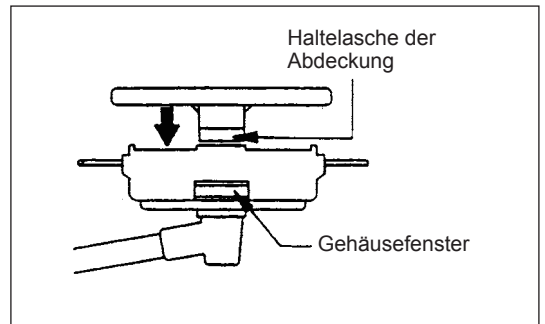
1. Schieben Sie die Abdeckung vom Gehäuse; drücken Sie dazu die zwei Haltetaschen der Abdeckung, die sich am Gehäuse gegenüber liegen.
2. Nehmen Sie Knauf und Spule vom Gehäuse ab.
3. Führen Sie jedes der Enden der zwei Schneidseile durch die Löcher im Innersten des Schlitzes an einem der Spulenaußenflansche. Führen Sie die Seile in die Spulennuten durch jeden Schlitz an den Flanschen.
4. Winden Sie die Seile fest in der abgebildeten Richtung (Linkshanddrehung (LH), durch Pfeil auf dem Flansch gekennzeichnet). Überkreuzen Sie die Seile nicht.
5. Winden Sie etwa 100 mm (3-15/16") des Seils um die Spule und lassen Sie die Enden vorübergehend in der Einkerbung an der Seite der Spule eingehängt.
6. Setzen Sie den Knauf auf das Gehäusedrehkreuz auf und positionieren Sie es so, dass es sich frei nach oben und unten gegen die Federspannung bewegen kann. Setzen Sie die Spule in das Gehäuse ein und richten Sie die Zähne der Spule und des Knaufs aufeinander aus.



7. Führen Sie die Schneidseile durch den Schlitz der Seilführung ein.



8. Stecken Sie die Abdeckung auf das Gehäuse, richten Sie die Laschen an der Abdeckung und am Gehäusefenster aus. Überprüfen Sie, dass die Abdeckung genau am Gehäuse gesichert ist. Die Außenkante der Haltetasche der Abdeckung und die Außenfläche des Gehäuses müssen bündig abschließen.



WARTUNGSANWEISUNGEN

ACHTUNG: Stoppen Sie vor allen Arbeiten mit der Motorsense den Motor und ziehen Sie den Zündkerzenstecker von der Zündkerze (siehe „Überprüfen der Zündkerze“).
Tragen Sie immer Schutzhandschuhe!

Führen Sie die folgenden Wartungsarbeiten regelmäßig durch, um eine lange Lebenszeit zu erzielen und Beschädigungen des Werkzeugs zu vermeiden.

Tägliche Inspektionen und Wartungsarbeiten

- Überprüfen Sie vor dem Betrieb das Werkzeug auf lose Schrauben und fehlende Teile. Achten Sie besonders auf den festen Sitz der Motorsense oder des Nylon-Schneidkopfes.
- Überprüfen Sie vor jedem Betrieb, dass die Kühlluftdurchgänge und Zylinderlamellen nicht verstopft sind. Reinigen Sie diese bei Bedarf.
- Führen Sie die folgenden Wartungsarbeiten täglich nach der Arbeit durch:
 - Reinigen Sie die Motorsense im ausgebauten Zustand und überprüfen Sie diese auf Beschädigungen.
 - Reinigen Sie den Luftfilter. Wenn Sie unter sehr staubigen Bedingungen arbeiten, reinigen Sie den Filter mehrmals am Tag.
 - Prüfen Sie die Schneide oder den Nylon-Schneidkopf auf Beschädigungen und überprüfen Sie die ordnungsgemäße Montage.
 - Prüfen Sie, dass der Abstand zwischen Leerlauf- und Betriebsdrehzahlen ausreichend ist, damit das Werkzeug bei Leerlauf des Motors im Stillstand ist (reduzieren Sie bei Bedarf die Leerlaufdrehzahl).
Falls sich das Schneidwerkzeug während des Leerlaufs des Motors weiter dreht, wenden Sie sich an das nächste autorisierte Servicezentrum.
- Prüfen Sie den I/O-Schalter, den Entriegelungshebel, den Regelungshebel und die Verriegelungstaste auf ordnungsgemäße Funktionsweise.

WECHSELN DES MOTORENÖLS

Zersetztes Motorenöl verkürzt die Lebensdauer der gleitenden und rotierenden Teile in großem Maße. Prüfen Sie daher den Zeitraum und die Menge für den Wechsel.



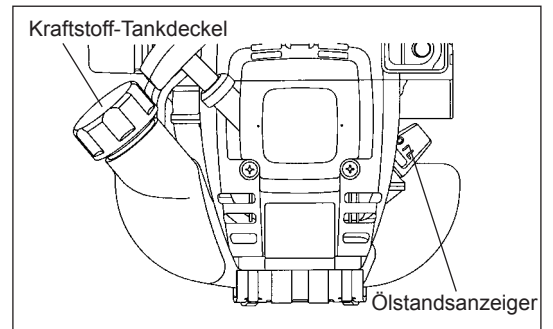
ACHTUNG: Im Allgemeinen sind der Motorhauptblock und das Motorenöl nach dem unmittelbaren Stopp des Motors noch heiß. Überprüfen Sie bei einem Ölwechsel, dass der Motorhauptblock und das Motorenöl ausreichend abgekühlt sind. Andernfalls besteht Verbrennungsgefahr.

Hinweis: Falls zuviel Öl eingefüllt wird, kann das Öl verschmutzt werden oder mit weißem Rauch Feuer fangen.

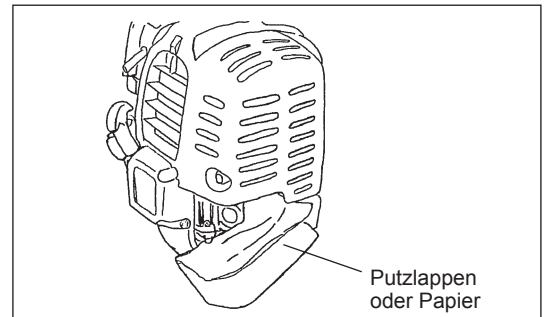
Intervall für den Ölwechsel: Zu Beginn aller 20 Betriebsstunden und anschließend aller 50 Betriebsstunden
Empfohlenes Öl: SAE 10W-30 Öl der API-Klassifikation, Klasse SF oder höher (4-Viertaktmotor für Autos)

Gehen Sie zum Ölwechsel wie folgt vor.

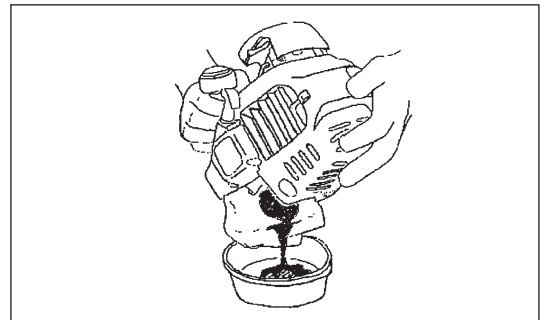
- 1) Überprüfen Sie, dass der Tankdeckel sicher festgezogen ist.
- 2) Trennen Sie den Ölstandsanzeiger.
Halten Sie die Ölstandsanzeige frei von Sand und Staub.



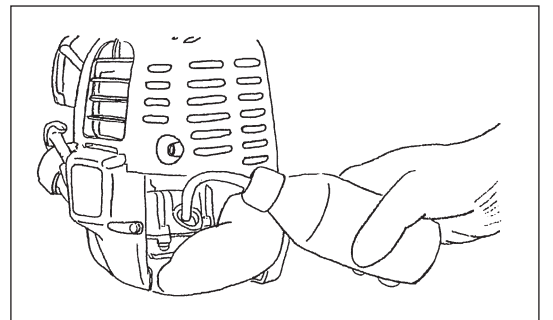
- 3) Bringen Sie am Ölnachfüllstutzen einen alten Lappen oder Papier an.



- 4) Trennen Sie den Ölstandsanzeiger, lassen Sie das Öl ab, indem Sie den Hauptblock in Richtung Ölnachfüllstutzen neigen. Leiten Sie das Öl für eine ordnungsgemäße Entsorgung in einen Container ab.



- 5) Halten Sie das Antriebsniveau, und füllen Sie Öl bis zur Kante des Ölnachfüllstutzens auf. Verwenden Sie zum Nachfüllen einen Schmiermittel-Nachfüllcontainer.
- 6) Ziehen Sie nach dem Nachfüllen die Ölstandsanzeige fest. Bei unzureichendem Festziehen der Ölstandsanzeige kann Öl auslaufen.



WICHTIGE PUNKTE ZUM ÖL

- Entsorgen Sie ausgetauschtes Motorenöl niemals über den Hausmüll, in die Erde oder in Abwasserkanäle. Die Altöleentsorgung ist gesetzlich geregelt. Halten Sie bei der Entsorgung stets die entsprechenden Regelungen und Bestimmungen ein. Wenden Sie sich bei Unklarheiten an ein autorisiertes Servicezentrum.
- Öl zersetzt sich, auch wenn es nicht verwendet wird. Führen Sie regelmäßig eine Überprüfung und einen Ölwechsel durch (Ölwechsel aller 6 Monate).

REINIGEN DES LUFTREINIGERS



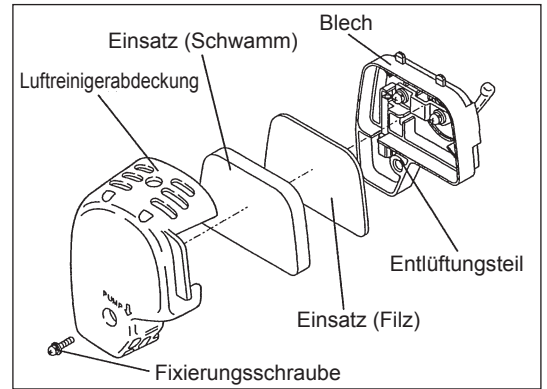
GEFAHR: UMGANG MIT FEUER STRENGSTENS VERBOTEN

Intervall für Reinigung und Inspektion: Täglich (aller 10 Betriebsstunden)

- Drehen Sie den Choke-Hebel vollständig zu, und halten Sie den Vergaser fern von Staub oder Schmutz.
- Entfernen Sie die Schrauben der Luftreinigerabdeckung.
- Ziehen Sie die untere Seite der Abdeckung und nehmen Sie die Luftreinigerabdeckung ab.
- Falls Öl an dem Einsatz (Schwamm) anhaftet, drücken Sie diesen fest aus.
- Bei starker Verschmutzung:
 - 1) Entfernen Sie den Einsatz (Schwamm), tauchen Sie ihn in warmes Wasser oder in Wasser mit verdünntem neutralen Reinigungsmittel, und trocknen Sie den Einsatz ganz.
 - 2) Reinigen Sie den Einsatz (Filz) mit Benzin, und trocknen Sie den Einsatz ganz.
- Trocknen Sie vor dem Einsetzen den Einsatz vollständig. Bei unzureichender Trocknung des Einsatzes können Schwierigkeiten beim Anlaufen auftreten.
- Wischen Sie anhaftendes Öl um die Luftreinigerabdeckung und die Entlüftung mit einem Putzlappen ab.
- Bringen Sie unmittelbar nach der Reinigung die Reinigerabdeckung wieder an und ziehen Sie diese mit den Fixierungsschrauben fest. (Bringen Sie bei der Wiedermontage zuerst die obere Klemme und dann die untere Klemme wieder an.)

Wichtige Punkte beim Umgang mit dem Luftreinigereinsatz

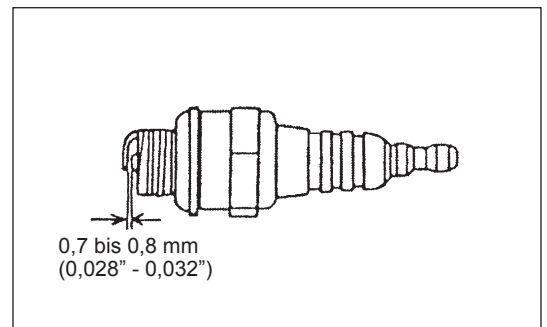
- Reinigen Sie den Einsatz mehrere Male am Tag, falls übermäßig Staub anhaftet.
- Falls der Betrieb mit einem ölverschmutzten Einsatz fortgesetzt wird, kann Öl im Luftreiniger ausfallen und zu einer Ölverschmutzung führen.



ÜBERPRÜFEN DER ZÜNDKERZE

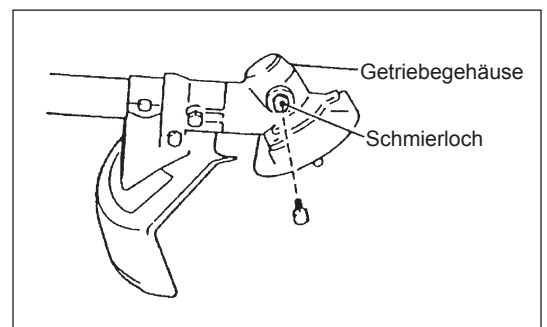
- Verwenden Sie nur den mitgelieferten Universalschraubenschlüssel, um die Zündkerze zu entfernen oder einzubauen.
- Der Abstand zwischen den Elektroden der Zündkerze sollte zwischen 0,7 und 0,8 mm (0,028" - 0,032") liegen. Passen Sie den Abstand bei Bedarf an. Falls die Zündkerze verschmutzt oder verstopft ist, reinigen Sie diese gründlich oder ersetzen Sie sie.

ACHTUNG: Berühren Sie den Zündkerzenstecker niemals, wenn der Motor läuft (Gefahr eines Hochspannungsschlags).



AUFTRAGEN VON SCHMIERE AUF DAS GETRIEBEGEHÄUSE

- Tragen Sie aller 30 Betriebsstunden Schmiere (Shell Alvania 2 oder eine äquivalente) durch das Schmierloch auf das Getriebegehäuse auf. (Originales DOLMAR-Schmierfett erhalten Sie bei Ihrem DOLMAR-Händler.)



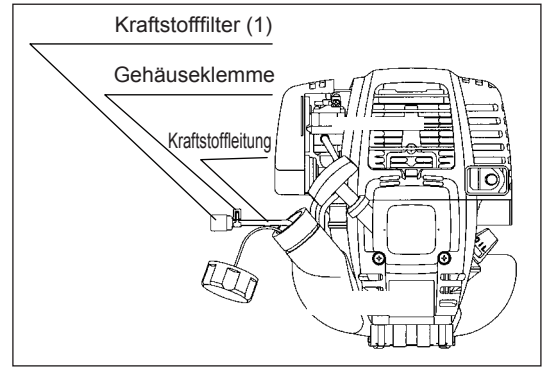
REINIGEN DES KRAFTSTOFFFILTERS

WARNUNG: UMGANG MIT FEUER STRENGSTENS VERBOTEN

Intervall für Reinigung und Inspektion: Monatlich (aller 50 Betriebsstunden)

Ansaugkopf im Kraftstofftank

- Der vom Vergaser benötigte Kraftstoff wird über den Kraftstofffilter (1) des Ansaugkopfes gefiltert.
- Führen Sie regelmäßig eine Sichtprüfung des Kraftstofffilters durch. Für die Inspektion des Filters öffnen Sie den Tankdeckel, und ziehen Sie mit einem Drahhaken den Ansaugkopf durch die Tanköffnung. Ersetzen Sie den Filter, falls dieser verhärtet, schmutzig oder verstopft ist.
- Eine unzureichende Kraftstoffzufuhr kann dazu führen, dass die maximal zulässige Drehzahl überschritten wird. Aus diesem Grund ist wichtig, dass der Kraftstofffilter mindestens quartalsweise ersetzt wird, um eine zufriedenstellende Kraftstoffzufuhr zum Vergaser zu gewährleisten.



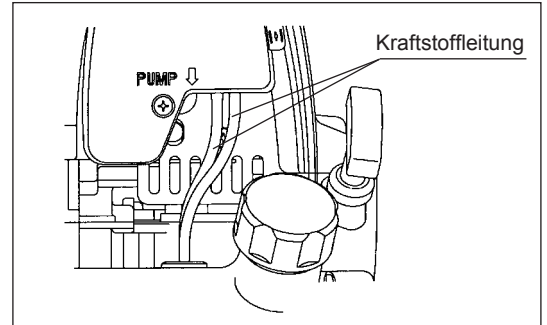
AUSTAUSCHEN DER KRAFTSTOFFLEITUNG

ACHTUNG: UMGANG MIT FEUER STRENGSTENS VERBOTEN

Intervall für Reinigung und Inspektion: Täglich (aller 10 Betriebsstunden)

Austausch: Jährlich (aller 200 Betriebsstunden)

Tauschen Sie die Kraftstoffleitung jedes Jahr aus, unabhängig von der Betriebshäufigkeit. Kraftstofflecks können einen Brand verursachen. Falls Sie während des Betriebs ein Leck entdecken, tauschen Sie die Ölleitung sofort aus.



INSPEKTION DER BOLZEN, MUTTERN UND SCHRAUBEN

- Ziehen Sie lose Bolzen, Muttern usw. wieder fest.
- Prüfen Sie auf Kraftstoff- und Öllecks.
- Tauschen Sie für einen sicheren Betrieb beschädigte Teile durch neue aus.

REINIGEN DER BAUTEILE

- Halten Sie den Motor stets sauber.
- Halten Sie die Zylinderlamellen frei von Sand und Staub. An den Lamellen anhaftender Staub und Schmutz führt zu einer Reibverschleißung des Kolbens.

AUSTAUSCHEN DER DICHTUNGEN UND VERBINDUNGEN

Vergewissern Sie sich bei der Wiedermontage des Motors, dass Sie die Dichtungen und Dichtungsmassen durch neue ersetzen. Alle Wartungsarbeiten oder Einstellungen, die in diesem Handbuch nicht beschrieben wurden, müssen von autorisierten Servicezentren durchgeführt werden.

LAGERUNG

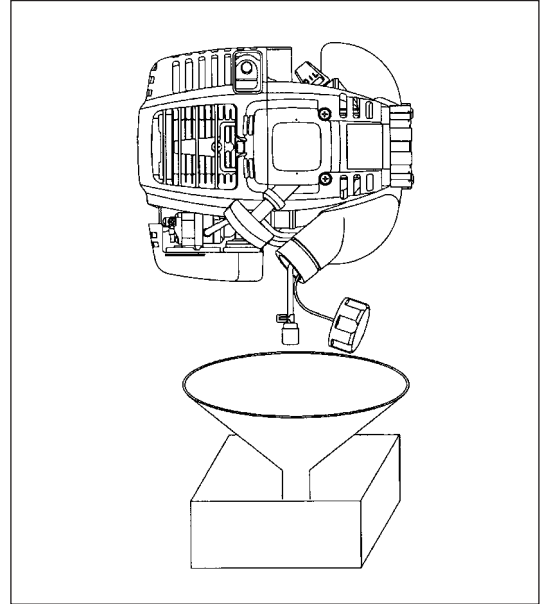


WARNUNG: Stellen Sie vor dem Ableiten des Kraftstoffs sicher, dass der Motor gestoppt ist und prüfen Sie, dass sich der Motor abgekühlt hat.
Unmittelbar nach dem Stoppen des Motors ist dieser heiß und es besteht Verbrennungs-, Entzündungs- und Feuergefahr.



ACHTUNG: Wenn das Werkzeug für längere Zeit nicht betrieben wird, lassen Sie den gesamten Kraftstoff aus dem Tank und dem Vergaser ab, und lagern Sie das Werkzeug an einem trockenen und sauberen Ort.

- Gehen Sie zum Ablassen des Kraftstoffs aus dem Tank wie folgt vor:
 - 1) Entfernen Sie den Kraftstoff-Tankdeckel und lassen Sie den Kraftstoff vollständig ab.
Entfernen Sie ggf. im Kraftstofftank zurückbleibende Fremdkörper.
 - 2) Ziehen Sie den Kraftstofffilter mit einem Draht aus dem Nachfüllstutzen.
 - 3) Drücken Sie die Ansaugpumpe, bis der Kraftstoff von hier abgeleitet wurde und leiten Sie den Kraftstoff in den Kraftstofftank ab.
 - 4) Setzen Sie den Filter wieder in den Kraftstofftank ein und ziehen Sie den Tankdeckel sicher fest.
 - 5) Betreiben Sie das Werkzeug weiter bis es stoppt.
- Entfernen Sie die Zündkerze und geben Sie einige wenige Tropfen Öl in die Zündkerzenöffnung.
- Ziehen Sie anschließend den Startergriff leicht, sodass das Öl die Innenseite des Motors bedeckt und ziehen Sie dann die Zündkerze fest.
- Bringen Sie die Abdeckung an der Schneidklinge an.
- Halten Sie während der Lagerung den Stiel horizontal oder halten Sie das Werkzeug aufrecht mit nach oben gerichteter Blattkante. (Achten Sie in diesem Fall vor allem darauf, dass das Werkzeug nicht umfällt.)
Lagern Sie das Werkzeug niemals mit nach unten gerichteter Blattkante.
Schmiermittel kann auslaufen.
- Bewahren Sie den abgelassenen Kraftstoff in einen speziellen Container an einem gut belüfteten und schattigen Platz auf.



Achtung nach einer längeren Lagerung

- Tauschen Sie nach einer längeren Lagerung vor dem Start des Motors das Öl aus (siehe S. 64). Öl zersetzt sich, auch wenn das Werkzeug nicht verwendet wird.

Fehlerposition

Fehler	System	Beobachtung	Grund
Motor startet nicht oder mit Schwierigkeiten	Zündungssystem	Zündfunken OK	Fehler der Kraftstoffversorgung oder des Verdichtungssystems, mechanischer Defekt
		Kein Zündfunken	STOPP-Schalter bedient, Verdrahtung fehlerhaft oder kurzgeschlossen, Zündkerze oder Zündkerzenstecker defekt, Zündmodul fehlerhaft
	Kraftstoffversorgung	Kraftstofftank gefüllt	Falsche Choke-Position, Vergaser defekt, Kraftstoff-Zufuhrleitung verbogen oder blockiert, Kraftstoff verschmutzt
	Verdichtung	Keine Verdichtung beim Überziehen	Zylinderkopfdichtung defektiv, Pleuellendichtungen beschädigt, Zylinder oder Pleurerringe defekt oder ungeeignete Dichtung der Zündkerze
Warmstartprobleme	Mechanischer Fehler	Starter schaltet nicht ein	Gebrochene Starterfeder, gebrochenen Teile innerhalb des Motors
		Tank gefüllt, Zündfunken vorhanden	Vergaser verschmutzt, wurde gereinigt
Motor startet, geht jedoch aus	Kraftstoffversorgung	Tank gefüllt	Fehlerhafte LeerlaufEinstellung, Vergaser verschmutzt
Unzureichende Leistung	Möglicherweise werden verschiedene Systeme gleichzeitig beeinflusst		Kraftstoff-Tankventil defekt, Kraftstoff-Zufuhrleitung unterbrochen, Kabel oder I/O-Schalter defekt
			Luftfilter verschmutzt, Vergaser verschmutzt, Schalldämpfer verstopft, Abluftkanal im Zylinder verstopft

Betriebszeit Position		Vor Betrieb	Nach Schmierung	Taglich (10 h)	30 h	50 h	200 h	Abschalten/ Lagerung	Siehe Seite
Motorenol	Inspizieren/ Reinigen	○							59
	Austauschen					○*1			65
Festziehen von Teilen (Schraube, Mutter)	Inspizieren	○							68
Kraftstofftank	Reinigen/ Inspizieren	○							—
	Kraftstoff ablassen							○*3	69
Gashebel	Funktion uberprufen		○						—
Stoppeschalter	Funktion uberprufen		○						62
Schneidklinge	Inspizieren	○		○					57
Niederdrehzahl	Inspizieren/ Einstellen			○					63
Luftreiniger	Reinigen			○					67
Zundkerze	Inspizieren			○					67
Kuhlluftkanal	Reinigen/ Inspizieren			○					68
Kraftstoffleitung	Inspizieren			○					68
	Austauschen						⊙*2		—
Getriebegehause- Schmierung	Nachfullen				○				67
Kraftstofffilter	Reinigen/ Ersetzen					○			68
Abstand zwischen Lufteinlassventil und Luftauslassventil	Einstellen						⊙*2		—
olleitung	Inspizieren						⊙*2		
Motoruberholung							⊙*2		—
Vergaser	Kraftstoff ablassen							○*3	69

*1 Fuhren Sie einen ersten Wechsel nach 20 Betriebsstunden durch.

*2 Wenden Sie sich fur eine Inspektion nach 200 Betriebsstunden an ein autorisiertes Servicezentrum oder Werkzeuggeschaft.

*3 Setzen Sie nach dem Leeren des Kraftstofftanks den Betrieb des Motors fort und leiten Sie den Kraftstoff in den Vergaser ab.

FEHLERSUCHE

Überprüfen Sie ein Problem selbst, bevor Sie eine Reparatur anfordern. Falls eine Abnormalität auftritt, regeln Sie das Werkzeug anhand der Beschreibung in diesem Handbuch. Missbrauchen Sie das Werkzeug nicht und demontieren Sie keine Teile entgegen der Beschreibung. Wenden Sie sich für Reparaturen an ein autorisiertes Servicezentrum oder einen Vertreter vor Ort.

Abnormalitätsstatus	Mögliche Ursache (Fehlfunktion)	Abhilfe
Motor startet nicht	Ausfall des Betriebs der Ansaugpumpe	Drücken Sie 7 bis 10 mal
	Niedrige Ziehgeschwindigkeit des Starterseils	Ziehen Sie kräftig
	Kraftstoffmangel	Führen Sie Kraftstoff zu
	Verstopfter Kraftstofffilter	Reinigen
	Gebrochene Kraftstoffleitung	Kraftstoffleitung begradigen
	Zersetzter Kraftstoff	Zersetzter Kraftstoff erschwert das Starten. Ersetzen Sie diesen durch neuen. (Empfohlenes Austauschintervall: 1 Monat)
	Übermäßige Kraftstoffansaugung	Stellen Sie den Gashebel von mittlerer Drehzahl auf hohe Drehzahl ein und ziehen Sie den Startergriff, bis der Motor startet. Nach dem Start des Motors beginnt sich die Schneidklinge zu drehen. Achten Sie auf die Schneidklinge. Falls der Motor nicht startet, entfernen Sie die Zündkerze, trocknen Sie die Elektrode ab und montieren Sie sie wieder wie vorher. Starten Sie wie angegeben.
	Entfernen des Zündkerzensteckers	Fest Anbringen
	Verschmutzter Zündkerzenstecker	Reinigen
	Abnormaler Abstand des Zündkerzensteckers	Einstellen des Abstandes
	Andere Abnormalität des Zündkerzensteckers	Austauschen
	Abnormaler Vergaser	Fordern Sie eine Inspektion und Wartung an.
	Starterseil kann nicht gezogen werden	Fordern Sie eine Inspektion und Wartung an.
Abnormales Antriebssystem	Fordern Sie eine Inspektion und Wartung an.	
Motor stoppt gleich Motordrehzahl erhöht sich nicht	Unzureichendes Aufwärmen	Führen Sie einen Aufwärmbetrieb durch
	Choke-Hebel ist auf GESCHLOSSEN eingestellt, obwohl der Motor vorgewärmt wurde.	Einstellen auf OFFEN
	Verstopfter Kraftstofffilter	Reinigen
	Verschmutzter oder verstopfter Luftreiniger	Reinigen
	Abnormaler Vergaser	Fordern Sie eine Inspektion und Wartung an.
	Abnormales Antriebssystem	Fordern Sie eine Inspektion und Wartung an.
Schneidklinge dreht sich nicht ↓ Motor stoppt sofort	Gelöste Schneidklinge > Festziehen der Mutter	Festziehen
	Zweige verfangen sich in der Schneidklinge oder der Schutzabdeckung.	Entfernen der Fremdkörper
	Abnormales Antriebssystem	Fordern Sie eine Inspektion und Wartung an.
Hauptblock vibriert abnormal ↓ Motor stoppt sofort	Gebrochene, verbogene oder abgenutzte Schneidklinge	Austauschen der Schneidklinge
	Gelöste Schneidklinge > Festziehen der Mutter	Festziehen
	Verschobenes Konvexelement der Schneidklinge und der Stützmontage.	Fest Anbringen
	Abnormales Antriebssystem	Fordern Sie eine Inspektion und Wartung an.
Schneidklinge stoppt nicht sofort ↓ Motor stoppt sofort	Hohe Leerlaufdrehzahl	Einstellen
	Abgetrenntes Gaskabel	Fest Anbringen
	Abnormales Antriebssystem	Fordern Sie eine Inspektion und Wartung an.
Motor stoppt nicht ↓ Betreiben des Motors im Leerlauf und Einstellen des Choke-Hebels auf GESCHLOSSEN	Abgetrennter Stecker	Fest Anbringen
	Abnormales Elektriksystem	Fordern Sie eine Inspektion und Wartung an.

Wenn der Motor nach dem Aufwärmen nicht startet:

Falls bei den Überprüfungselementen eine Abnormalität auftritt, öffnen Sie den Gashebel um 1/3 und starten Sie den Motor.

Grazie per avere acquistato questo decespugliatore a benzina DOLMAR. Siamo lieti di consigliare il decespugliatore a benzina DOLMAR, risultato di un lungo programma di sviluppo e di molti anni di esperienza e conoscenza. Leggere il presente opuscolo che contiene riferimenti dettagliati ai diversi elementi che ne dimostreranno le eccellenti prestazioni. In questo modo sarà possibile ottenere i migliori risultati dal decespugliatore a benzina DOLMAR.



Sommario	Pagina
Simboli.....	72
Istruzioni di sicurezza.....	73
Dati tecnici.....	77
Designazione delle parti.....	78
Montaggio dell'impugnatura.....	79
Montaggio della protezione.....	80
Montaggio della lama/testina da taglio in nylon.....	81
Prima della messa in funzione.....	82
Utilizzo corretto dell'utensile.....	84
Funzionamento e arresto.....	84
Affilatura dell'utensile da taglio.....	86
Istruzioni di manutenzione.....	88
Conservazione.....	92

SIMBOLI

Leggendo le presenti istruzioni per l'uso occorre prestare attenzione ai seguenti simboli.

	Leggere il manuale di istruzioni attenendosi alle avvertenze e alle precauzioni di sicurezza.		Indossare l'elmetto protettivo e le protezioni per occhi e orecchie.
	Prestare particolare cura e attenzione.		Velocità massima ammissibile dell'utensile
	Proibito.		Combustibile (benzina)
	Mantenere la distanza di sicurezza.		Avviamento manuale del motore
	Pericolo di oggetti volanti.		Arresto di emergenza
	Vietato fumare.		Pronto soccorso
	Non usare fiamme libere.		Riciclaggio
	Indossare guanti protettivi.		ON/START
	Indossare calzature pesanti con suola antiscivolo. Si consigliano scarpe di sicurezza con puntale in metallo.		OFF/STOP
	Contraccolpo.		
	Allontanare persone e animali dall'area di lavoro.		

ISTRUZIONI DI SICUREZZA

Istruzioni generali

- Per garantire il corretto funzionamento, leggere il presente manuale di istruzioni per acquisire familiarità con il decespugliatore a benzina. Un'informazione non sufficiente unita a un utilizzo improprio può mettere in pericolo gli utilizzatori e le altre persone presenti.
- Si consiglia di permettere l'utilizzo del decespugliatore a benzina solo a persone con provata esperienza con decespugliatori a benzina. Tenere sempre a portata di mano il manuale di istruzioni.
- Gli utilizzatori alle prime armi dovrebbero richiedere le istruzioni di base al rivenditore per familiarizzare con l'utilizzo di un utensile da taglio a motore.
- Il decespugliatore a benzina non deve essere utilizzato da bambini e persone al di sotto dei 18 anni di età. Persone al di sopra dei 16 anni possono tuttavia usare il dispositivo per scopi di addestramento, sempre sotto la supervisione di un istruttore qualificato.
- Usare il decespugliatore a benzina con la massima cura e attenzione.
- Usare il decespugliatore a benzina solo se si è in buone condizioni fisiche. Eseguire il lavoro con calma e attenzione. L'utilizzatore ha la responsabilità anche delle altre persone.
- Non usare il decespugliatore a benzina dopo l'assunzione di alcol o farmaci, oppure se ci si sente stanchi o indisposti.

Uso previsto dell'utensile

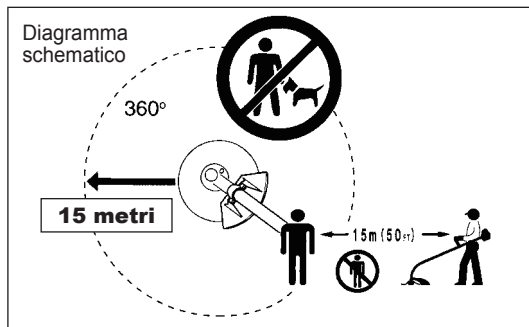
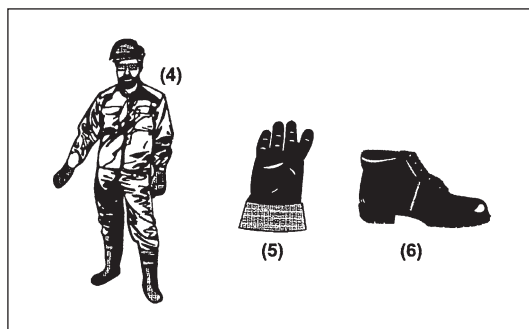
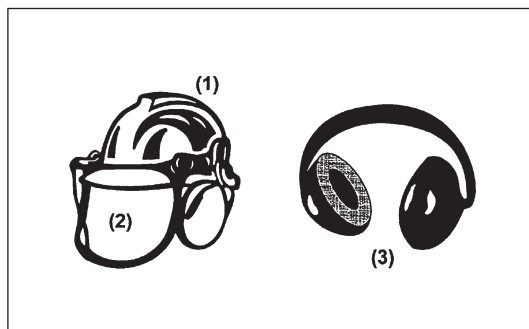
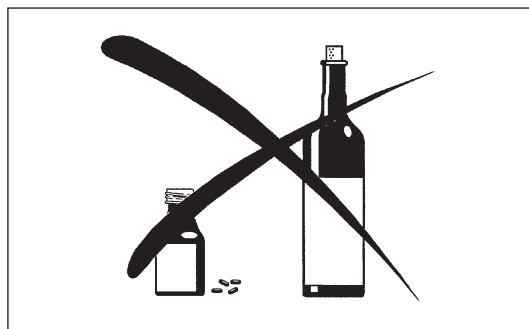
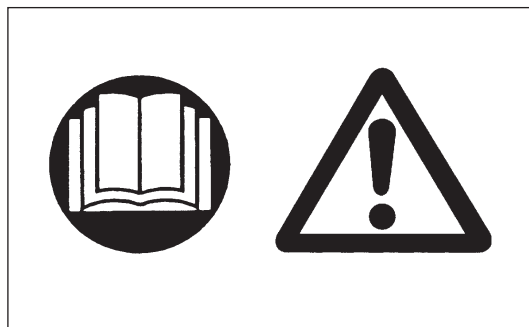
- Il decespugliatore a benzina è previsto esclusivamente per il taglio di erba, arbusti, cespugli e altro sottobosco e non deve essere usato per qualunque altro scopo, come bordatura o potatura di siepi, poiché questo potrebbe essere causa di infortuni.

Dispositivi di protezione personale

- L'abbigliamento indossato deve essere funzionale e appropriato; ad esempio, deve essere aderente ma senza causare impedimenti. Non indossare gioielli o abiti che potrebbero impigliarsi in cespugli o arbusti.
- Per evitare lesioni a testa, occhi, mani o piedi, oltre che per proteggere l'udito durante il lavoro, durante l'uso del decespugliatore a benzina è opportuno indossare i seguenti dispositivi e indumenti protettivi.
- Indossare sempre un elmetto quando vi è il rischio di caduta di oggetti. L'elmetto di protezione (1) deve essere controllato periodicamente per verificare eventuali danni e deve essere sostituito almeno ogni 5 anni. Usare solo elmetti protettivi omologati.
- Il visore (2) dell'elmetto (o gli occhiali di protezione in alternativa) proteggono il volto da detriti e sassi volanti. Per prevenire danni agli occhi, indossare sempre occhiali di protezione o un visore durante l'uso del decespugliatore a benzina.
- Indossare adeguate protezioni contro il rumore per evitare danni all'udito (cuffie (3), tappi per le orecchie, ecc).
- Indossare una tuta da lavoro (4) per proteggersi da sassi e detriti volanti. Si consiglia fortemente di indossare una tuta da lavoro integrale.
- Guanti speciali (5) di cuoio pesante fanno parte dell'equipaggiamento prescritto e devono sempre essere indossati durante l'uso del decespugliatore a benzina.
- Durante l'uso del decespugliatore a benzina, indossare sempre scarpe pesanti (6) con suola antiscivolo. Consentono la protezione da infortuni e garantiscono la corretta stabilità.

Avviamento del decespugliatore a benzina

- Assicurarsi che non siano presenti bambini o altre persone in un raggio di 15 metri (50 piedi); fare anche attenzione alla presenza di animali nelle vicinanze dell'area di lavoro.
- Prima dell'uso, assicurarsi sempre che il decespugliatore a benzina sia pronto all'uso:
Verificare la sicurezza dell'utensile da taglio, il facile azionamento della leva di controllo e il corretto funzionamento del blocco della leva di controllo.
- L'utensile da taglio non deve girare quando il motore è al minimo. In caso di dubbi, rivolgersi al rivenditore per la regolazione. Controllare che le impugnature siano pulite e asciutte, quindi verificare la funzionalità dell'interruttore di avviamento e arresto.

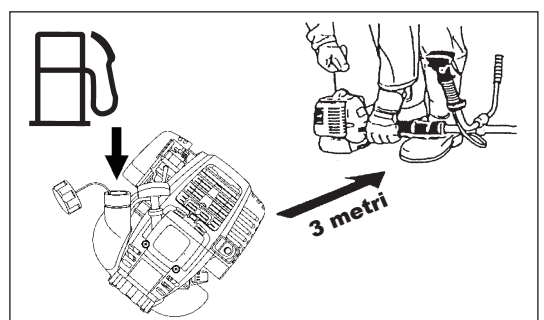
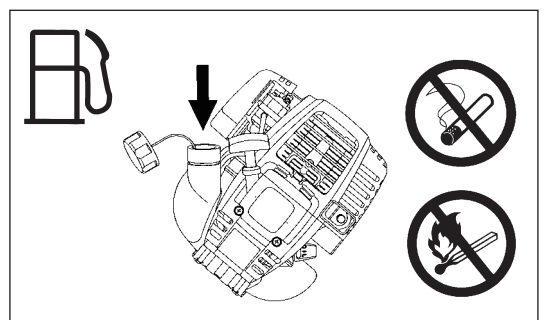
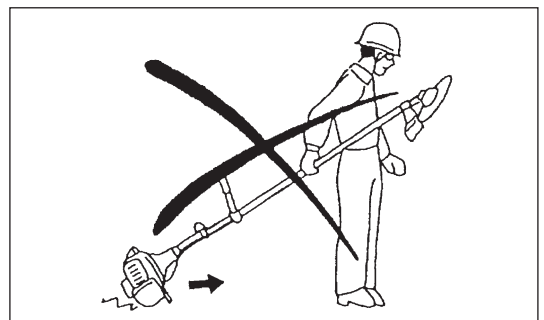
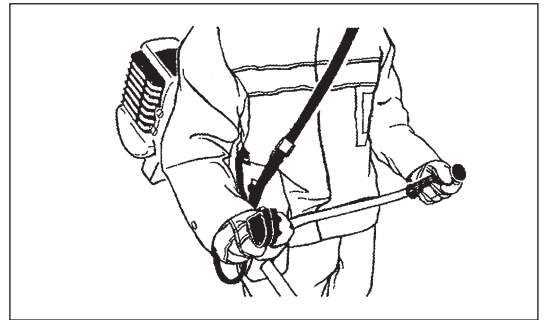
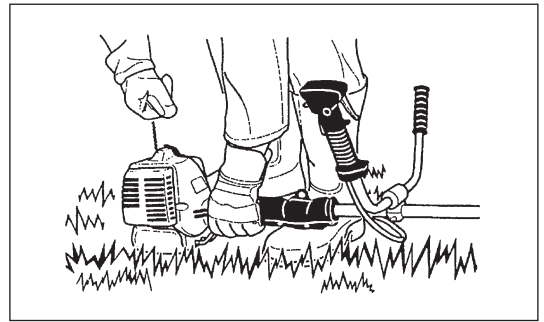


Avviare il decespugliatore a benzina solo secondo quanto riportato nelle istruzioni.

- Non usare alcun altro metodo per avviare il motore.
- Usare il decespugliatore a benzina e i suoi utensili solo per le applicazioni specificate.
- Avviare il motore del decespugliatore a benzina solo quando l'intero dispositivo è completamente montato. Il funzionamento del dispositivo è consentito solo dopo l'inserimento di tutti gli accessori appropriati.
- Prima dell'avviamento, assicurarsi che l'utensile da taglio non sia a contatto con oggetti duri come rami, pietre, ecc. poiché all'avvio l'utensile si metterà in rotazione.
- Il motore deve essere immediatamente spento in caso di problemi del motore.
- Nel caso in cui l'utensile da taglio urti pietre o altri oggetti duri, spegnere immediatamente il motore e ispezionare l'utensile da taglio.
- Controllare l'utensile da taglio frequentemente e con regolarità per verificare la presenza di danni (rilevare eventuali piccole fratture picchiando leggermente).
- Utilizzare il decespugliatore a benzina solo con la tracolla correttamente regolata. È fondamentale regolare la tracolla in base alla corporatura dell'utilizzatore per prevenire l'affaticamento durante l'uso. Durante l'uso non tenere mai l'utensile con una mano sola.
- Durante l'uso, tenere sempre il decespugliatore a benzina con entrambe le mani.
Assicurarsi sempre di avere una buona presa a terra.
- Usare il decespugliatore a benzina in modo da evitare di inalare i gas di scarico. Non azionare mai il motore in luoghi chiusi (pericolo di avvelenamento da gas). Il monossido di carbonio è un gas inodore.
- Spegnere sempre il motore durante le soste o quando si lascia incustodito il decespugliatore a benzina, riponendolo in una posizione sicura per impedire incidenti ad altre persone e danni all'utensile.
- Non porre mai il decespugliatore a benzina caldo sull'erba secca o su materiali combustibili.
- L'utensile da taglio deve essere dotato dell'apposita protezione. Non avviare mai l'utensile senza questa protezione.
- Durante l'uso devono essere utilizzate tutte le installazioni di sicurezza e le protezioni fornite con l'utensile.
- Non azionare mai il motore se il tubo di scarico è difettoso.
- Spegnere il motore durante il trasporto.
- Durante il trasporto su lunghe distanze, utilizzare sempre la protezione dell'utensile in dotazione.
- Assicurare la posizione del decespugliatore a benzina durante il trasporto in auto onde evitare perdite di carburante.
- Durante il trasporto, assicurarsi che il serbatoio del decespugliatore a benzina sia completamente vuoto.
- Durante lo smontaggio del decespugliatore a benzina dal carrello, evitare di lasciare cadere a terra il motore onde evitare gravi danni al serbatoio del combustibile.
- Tranne che in casi di emergenza, non lasciare mai cadere al suolo il decespugliatore a benzina, onde evitare di danneggiare gravemente l'utensile.
- Per spostare l'utensile, sollevarlo sempre completamente dal suolo. Il trascinarsi del serbatoio è molto pericoloso e può causare danni o perdite di carburante, con conseguente possibilità di incendi.

Rifornimento

- Durante il rifornimento spegnere il motore, tenersi lontani da fiamme libere e non fumare.
- Evitare il contatto con la pelle degli oli minerali. Non inalare i vapori del carburante. Durante il rifornimento indossare sempre i guanti di protezione. Sostituire e pulire gli indumenti di protezione a intervalli regolari.
- Evitare le fuoriuscite di carburante e olio onde evitare la contaminazione del terreno (protezione dell'ambiente). Pulire il decespugliatore a benzina subito dopo una fuoriuscita di carburante.
- Evitare il contatto del carburante con i capi di vestiario. Cambiarsi immediatamente in caso di contatto con il carburante (per evitare che gli abiti prendano fuoco).
- Controllare regolarmente il tappo del serbatoio del carburante per assicurarsi che sia stretto saldamente e che non perda.
- Stringere con cura il tappo del serbatoio del carburante. Cambiare luogo per l'avviamento del motore (almeno 3 metri dal luogo di rifornimento).
- Non effettuare il rifornimento in ambienti chiusi. I vapori del combustibile si accumulano a livello del terreno (pericolo di esplosioni).
- Trasportare e riporre il carburante solo in contenitori omologati. Assicurarsi che il carburante riposto non sia accessibile ai bambini.



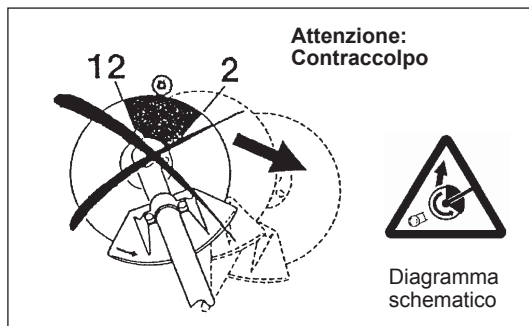
Metodo di utilizzo

- Usare il decespugliatore a benzina solo in buone condizioni di luce e visibilità. Durante la stagione invernale fare attenzioni alle zone umide o scivolose, a neve e ghiaccio (rischio di scivolamento). Assicurarsi sempre di avere una buona presa a terra.
- Non eseguire tagli a un'altezza superiore a quella della cintura.
- Non usare mai il decespugliatore a benzina stando su una scala.
- Non arrampicarsi sugli alberi per eseguire tagli con il decespugliatore a benzina.
- Non lavorare mai su superfici instabili.
- Rimuovere sabbia, pietre, chiodi, ecc. dall'area di lavoro. Oggetti estranei possono danneggiare l'utensile da taglio e causare pericolosi contraccolpi.
- Prima di iniziare il taglio, l'utensile da taglio deve aver raggiunto la piena velocità operativa.



Contraccolpo

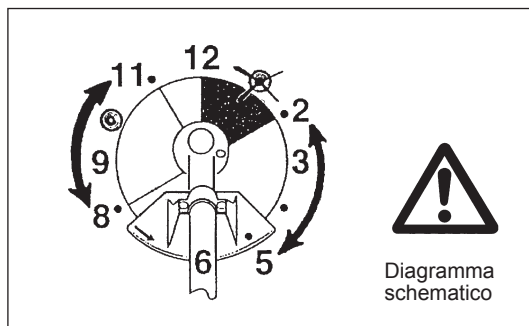
- Durante l'uso del decespugliatore a benzina, possono verificarsi contraccolpi incontrollati.
- Questo avviene in particolare durante i tentativi di taglio all'interno di un segmento di lama compreso tra ore 12 e ore 2.
- Non utilizzare mai il decespugliatore a benzina all'interno di un segmento tra ore 12 e ore 2.
- Non applicare questo segmento della lama del decespugliatore a benzina a oggetti solidi, quali cespugli e alberi, con un diametro superiore di 3 cm, altrimenti il decespugliatore a benzina sarà piegato con notevole forza, provocando il rischio di infortuni.



Prevenzione dei contraccolpi

Tenere presente i punti seguenti per evitare contraccolpi:

- L'utilizzo all'interno di un segmento della lama compreso tra ore 12 e ore 2 presenta pericoli positivi, soprattutto se vengono utilizzati utensili per il taglio di metalli.
- Le operazioni di taglio all'interno di un segmento della lama compreso tra ore 11 e ore 12, o tra ore 2 e ore 5, devono essere effettuate esclusivamente da operatori esperti, a loro rischio e pericolo. È possibile un taglio agevole, quasi senza contraccolpi, all'interno di un segmento di lama compreso tra ore 8 e ore 11.

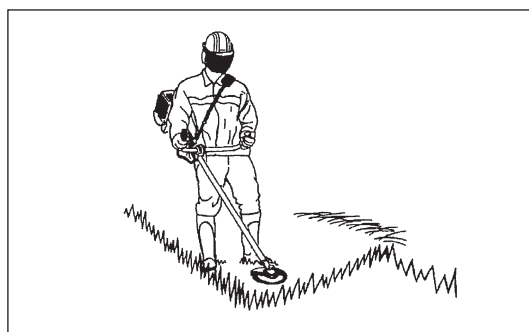


Utensili da taglio

Utilizzare solamente l'utensile da taglio corretto per il lavoro in corso.

MS-335.4 U con lama da taglio, testina da taglio in nylon

Per il taglio di materiali spessi, come siepi, erba alta, cespugli, arbusti, sottobosco, piccole piante, ecc. (max. 2 cm di diametro). Eseguire il taglio facendo oscillare uniformemente il decespugliatore a benzina in semicerchi, da destra a sinistra (come se si stesse usando una falce).



Istruzioni per la manutenzione

- Verificare le condizioni del dispositivo, in particolare dell'utensile da taglio, dei dispositivi di protezione e della tracolla, prima di iniziare il lavoro. Prestare particolare attenzione alle lame, che devono essere adeguatamente affilate.
- Per pulire o affilare gli utensili di taglio o per pulire il decespugliatore spegnere il motore e rimuovere il cavo della candela.

Non raddrizzare né saldare gli utensili da taglio danneggiati.

- Azionare il decespugliatore a benzina provocando il minore rumore e contaminazione possibili. In particolare, verificare la corretta impostazione del carburatore.
- Pulire il decespugliatore a benzina a intervalli regolari e controllare che tutte le viti e i dadi siano ben stretti.
- Non eseguire la manutenzione o riporre il decespugliatore a benzina vicino a fiamme libere.
- Riporre sempre il decespugliatore a benzina in stanze chiuse a chiave, dopo avere svuotato il serbatoio del carburante.



Osservare le istruzioni per la prevenzione degli incidenti emesse dalle associazioni di settore e dalle compagnie di assicurazione. Non modificare il decespugliatore a benzina, onde evitare di mettere a repentaglio la propria sicurezza.

Le attività di manutenzione o di riparazione a carico dell'utilizzatore sono limitate a quelle descritte nelle presenti istruzioni per l'uso. Tutti gli altri interventi devono essere eseguiti da un centro di assistenza autorizzato. Usare solo parti di ricambio e accessori originali, rilasciati e forniti da DOLMAR.

L'uso di accessori e utensili non approvati potrebbe aumentare il rischio di incidenti.

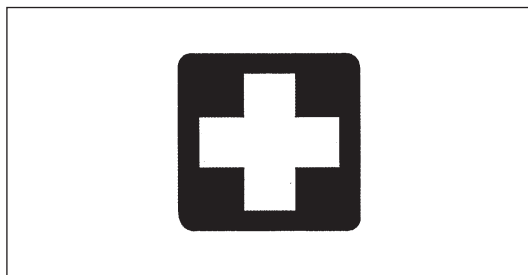
DOLMAR declina ogni responsabilità per danni o incidenti causati dall'uso di utensili da taglio, dispositivi di fissaggio di utensili da taglio o accessori non approvati.

Pronto soccorso

Assicurarsi che nelle vicinanze del luogo di lavoro sia disponibile una cassetta di pronto soccorso, in caso di infortuni. Sostituire immediatamente ogni oggetto prelevato dalla cassetta di pronto soccorso.

Dovendo richiedere assistenza, fornire le seguenti informazioni:

- Luogo dell'incidente
- Che cosa è accaduto
- Numero delle persone ferite
- Natura delle ferite
- Il proprio nome



Imballaggio

Il decespugliatore a benzina DOLMAR viene fornito in due scatole di cartone protettive per prevenire i danni durante il trasporto. Il cartone è una materia prima di base e quindi è riutilizzabile o riciclabile (riciclo della carta usata).



DICHIARAZIONE DI CONFORMITÀ CE

Modello: MS-335.4 U

Dichiariamo sotto nostra esclusiva responsabilità che il presente prodotto è conforme alle seguenti direttive: 2004/108/CE, 2000/14/CE, 98/37/CE fino al 28 dicembre 2009 e quindi 2006/42/CE dal 29 dicembre 2009.

Gli standard più importanti applicati per l'adeguato rispetto dei requisiti delle suddette direttive sono EN11806, EN55012.

Potenza sonora misurata: 109,7 dB (A)

Potenza sonora garantita: 112 dB (A)

Questi livelli di potenza sonora sono stati misurati in conformità alla Direttiva del Consiglio, 2000/14/CE.

Procedura di verifica della conformità: Allegato V.

19. DIC. 2008

Tamiro Kishima
Direttore responsabile

Rainer Bergfeld
Direttore responsabile

Produttore responsabile:

Makita Corporation

3-11-8, Sumiyoshi-cho, Anjo, Aichi, GIAPPONE

Rappresentanti autorizzati in Europa:

DOLMAR GmbH

Jenfelder Str. 38, 22045 Hamburg, Germany

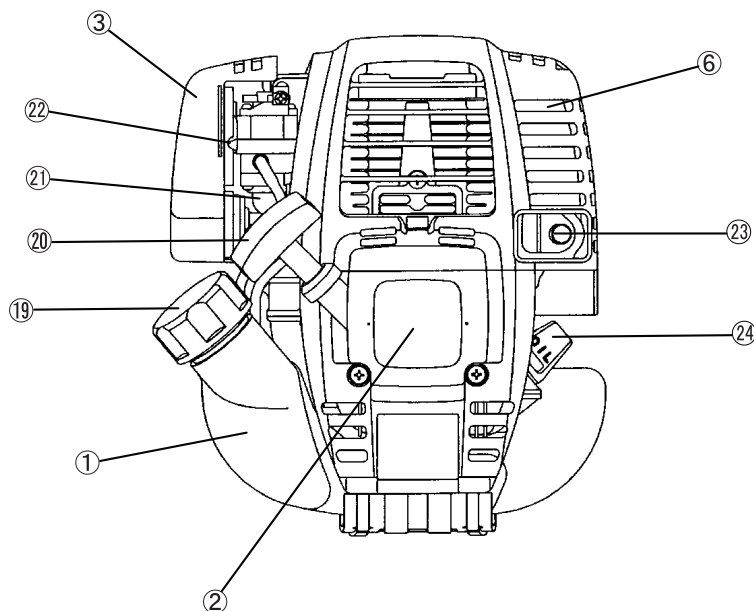
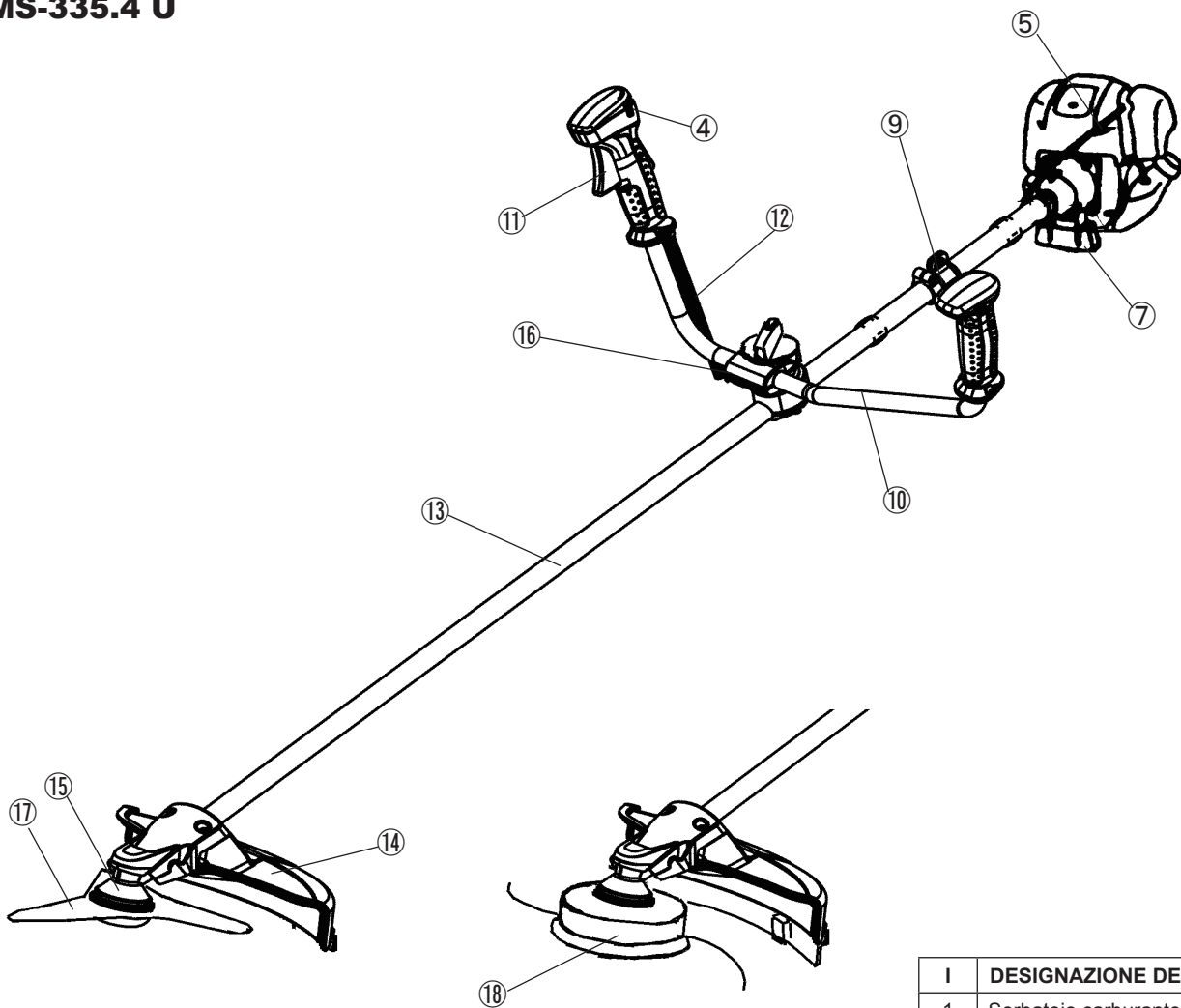
DATI TECNICI DI MS-335.4 U

Modello		MS-335.4 U		
		Impugnatura		
Dimensioni: lunghezza x larghezza x altezza (senza lama da taglio)	mm	1.810 x 620 x 500		
Peso (senza protezione di plastica e lama da taglio)	kg	7,1		
Volume (serbatoio carburante)	Lungh.	0,65		
Volume (serbatoio olio)	Lungh.	0,1		
Cilindrata	cm ³	33,5		
Massime prestazioni del motore ISO8893	kW	1,07 a 7.000 min ⁻¹		
Frequenza di rotazione massima del mandrino	min ⁻¹	6.850		
Velocità del motore alla massima frequenza di rotazione consigliata del mandrino	min ⁻¹	10.000		
Consumo di carburante alle massime prestazioni del motore ISO8893	kg/ora	0,458		
Consumo specifico di carburante alle massime prestazioni del motore	g/kwh	426		
Regime motore al minimo	min ⁻¹	3.000		
Velocità di impegno della frizione	min ⁻¹	4.100		
Carburatore (diaframma - carburatore)	tipo	WALBRO WYL		
Sistema di accensione	tipo	Accensione a stato solido		
Candela	tipo	NGK CMR4A		
Distanza fra gli elettrodi	mm	0,7 - 0,8		
Vibrazioni secondo ISO 22867 ¹⁾	Impugnatura destra (impugnatura posteriore)	Minimo	m/s ²	1,34
		Operativo o W.O.T	m/s ²	4,39
	Impugnatura sinistra (impugnatura anteriore)	Minimo	m/s ²	1,28
		Operativo o W.O.T	m/s ²	3,26
Livello medio di pressione sonora secondo ISO 22868 ¹⁾		dBA	98,2	
Livello medio di potenza sonora secondo ISO 22868 ¹⁾		dBA	106,7	
Carburante		Benzina per automobili		
Olio motore		Olio SAE 10W-30, classificazione API, Classe SF o superiore (motore a quattro tempi per automobili)		
Utensili da taglio (diametro lama da taglio)	mm	305 (con tre lame)		
Rapporto		13/19		

1) I dati sono stati preparati tenendo conto allo stesso modo delle modalità operative al minimo, a regime o al massimo.

DESIGNAZIONE DELLE PARTI

MS-335.4 U



I	DESIGNAZIONE DELLE PARTI
1	Serbatoio carburante
2	Avviamento con autoavvolgente
3	Filtro dell'aria
4	Interruttore di accensione (on/off)
5	Candela
6	Tubo di scarico
7	Scatola della frizione
9	Staffa
10	Maniglia
11	Leva dell'acceleratore
12	Cavo di controllo
13	Albero
14	Protezione
15	Scatola degli ingranaggi
16	Supporto impugnatura
17	Lama da taglio
18	Testina da taglio in nylon
19	Tappo serbatoio carburante
20	Manopola di avvio
21	Pompa manuale
22	Levetta dell'aria
23	Tubo di scarico
24	Indicatore del livello dell'olio

MONTAGGIO DELL'IMPUGNATURA

ATTENZIONE: Prima di effettuare qualunque intervento sul decespugliatore a benzina, spegnere sempre il motore e staccare il cavo di accensione dalla candela.

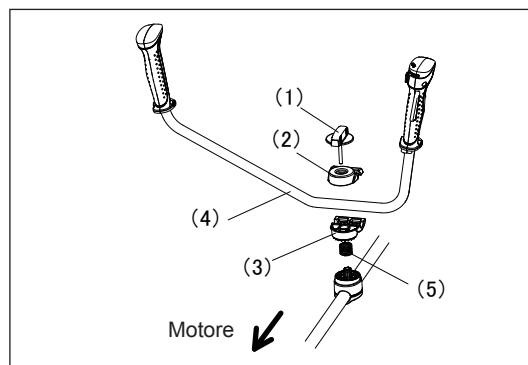
Indossare sempre i guanti di protezione.

ATTENZIONE: Avviare il decespugliatore a benzina solo al termine del montaggio.

Per gli utensili con impugnatura a manubrio

- Allentare la manopola (1).
- Posizionare l'impugnatura (4) tra il relativo morsetto (2) e il supporto dell'impugnatura (3).
- Regolare l'impugnatura (4) a un'angolazione che consenta una posizione di lavoro comoda, quindi serrare correttamente la manopola a mano (1).

ATTENZIONE: Non dimenticare di montare la molla (5).



MONTAGGIO DELLA PROTEZIONE

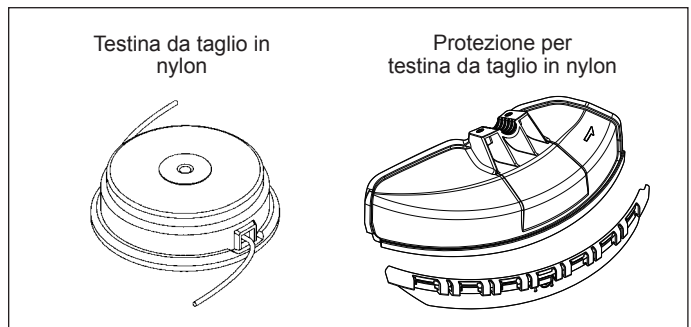
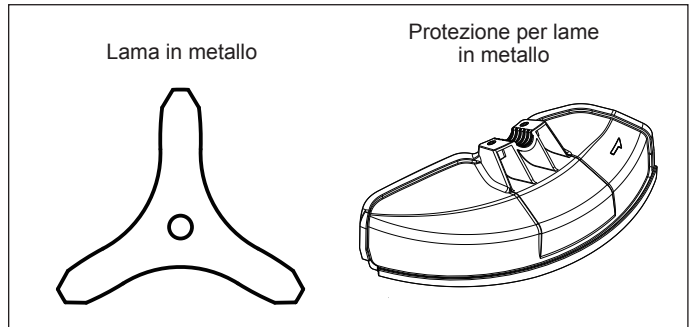
Per rispettare le disposizioni sulla sicurezza in vigore, utilizzare solamente le combinazioni di utensile e protezione indicate nella tabella.



Utilizzare sempre lame e testine da taglio in nylon originali DOLMAR.

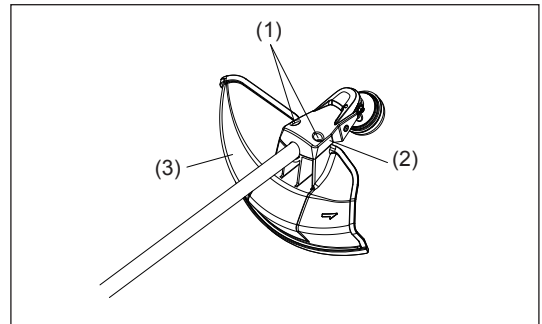
- La lama da taglio deve essere ben affilata e priva di incrinature o rotture. Se durante il lavoro la lama urta contro una pietra, arrestare il motore e controllare immediatamente la lama.
- Affilare o sostituire la lama ogni tre ore di utilizzo.
- Se durante il lavoro la testina da taglio in nylon urta contro una pietra, arrestare il motore e controllare immediatamente la testina da taglio.

ATTENZIONE: Per la propria sicurezza e per adempiere alle norme sulla prevenzione degli infortuni, occorre che sia sempre installata la protezione adeguata. Il funzionamento dell'utensile senza protezione non è consentito. Il diametro esterno della lama da taglio deve essere 255 mm (10"). Le lame da taglio con diametro esterno di 305 mm (12") possono essere utilizzate solamente per gli utensili a tre lame.



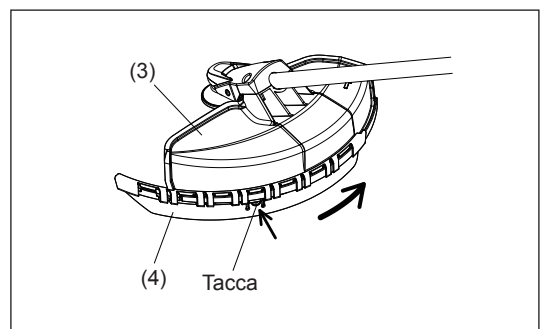
- Quando si utilizza la lama in metallo, fissare la protezione (3) al morsetto (2) con due bulloni M6 x 30 (1).

NOTA: Serrare i bulloni destro e sinistro in modo uniforme, in modo che lo spazio tra il morsetto (2) e la protezione (3) sia costante. Diversamente, la protezione potrebbe non funzionare come specificato.



- Per l'uso del filo da taglio in nylon, montare la protezione per il filo da taglio in nylon (4) sulla protezione della lama in metallo (3).
- Montare la protezione del filo da taglio in nylon (4) afferrandolo per la scanalatura centrale e facendolo scorrere in posizione dal lato della protezione della lama in metallo (3).
- Rimuovere il nastro adesivo dal dispositivo di taglio (il cui scopo è tagliare il filo di nylon) sulla protezione del filo da taglio in nylon (4).

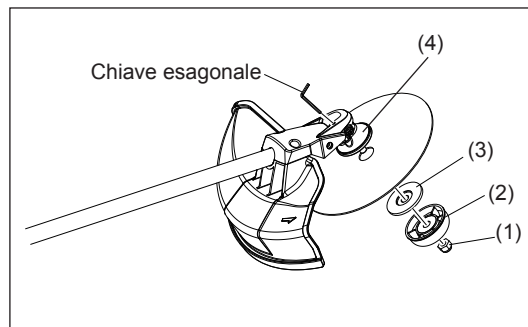
ATTENZIONE: Spingere la protezione del filo da taglio in nylon (4) fino al completo inserimento. Prestare attenzione a non tagliarsi con il dispositivo di taglio del filo di nylon.



MONTAGGIO DELLA LAMA/TESTINA DA TAGLIO IN NYLON

Capovolgere l'utensile per sostituire agevolmente la lama o la testina da taglio in nylon.

- Inserire la chiave esagonale nel foro nella scatola degli ingranaggi e ruotare la rondella (4) fino a quando è bloccata dalla chiave esagonale.
- Allentare il dado (1) (filettatura sinistrorsa) con la chiave a bussola e rimuovere il dado (1), la coppa (2) e rondella del morsetto (3).



Montaggio della lama da taglio

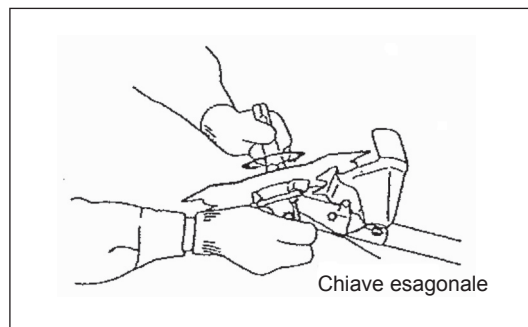
Senza spostare la chiave esagonale.

- Montare la lama da taglio sull'albero in modo che la guida della rondella (4) si inserisca nel foro dell'asta nella lama. Installare la rondella del morsetto (3), la coppa (2) e fissare la lama da taglio con il dado (1).
[Coppia di serraggio: 13 - 23 N-m]

NOTA: Indossare sempre i guanti per maneggiare la lama.

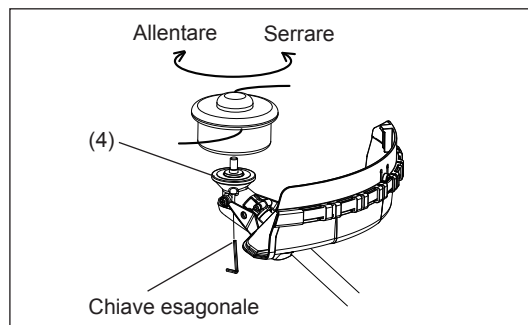
NOTA: Il dado di serraggio della lama (con la rondella a molla) è una parte usurabile.

Se sulla rondella a molla compaiono segni di usura o deformazione, sostituire il dado.

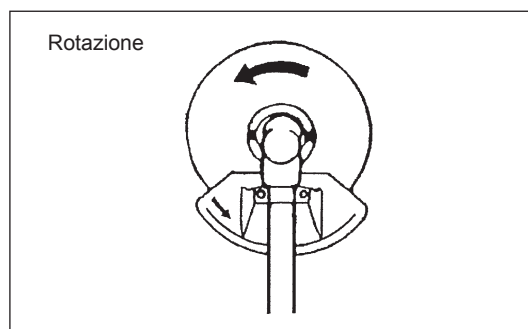


Montaggio della testina da taglio in nylon

- La rondella di fissaggio (3), la coppa (2) e il dado (1) non sono necessari per montare la testina da taglio in nylon. La testina in nylon deve essere inserita sopra la rondella ricevente (4).
- Inserire la chiave esagonale nel foro nella scatola degli ingranaggi e ruotare la rondella (4) fino a quando è bloccata dalla chiave esagonale.
- Avvitare quindi la testina da taglio in nylon sull'albero, ruotandola in senso antiorario.
- Rimuovere la chiave esagonale.



- Assicurarsi che la lama sia rivolta verso l'alto.



PRIMA DELLA MESSA IN FUNZIONE

Ispezione e rabbocco dell'olio motore

- Eseguire la seguente procedura a motore freddo.
- Mantenendo il motore in piano, rimuovere l'indicatore del livello dell'olio e verificare che la quantità di olio sia compresa tra i limiti superiore e inferiore.
Se manca olio (l'indicatore del livello dell'olio tocca l'olio solo con la punta o rimane inserito nel carter senza avvitarlo (Fig. 1)), rabboccare l'olio dallo sportello (Fig. 2).
- Il tempo indicativo di rabbocco dell'olio è pari a circa 15 h (frequenza di rabbocco: 15 volte).
Sostituire l'olio se cambia colore o viene a contatto con della sporcizia. (Per informazioni sull'intervallo e sul metodo di sostituzione, vedere P88 - 89)

Olio consigliato: Olio SAE 10W-30 di classificazione API, classe SF o superiore (motore a quattro tempi per automobili)

Volume dell'olio: Circa 0,1 l

Nota: Se il motore non è in piano, è possibile che l'olio entri in circolo nel motore e il rabbocco effettuato sia eccessivo.
Se l'olio viene rabboccato oltre il limite, possono verificarsi contaminazioni o incendi che producono fumo bianco.

Punto 1 della sostituzione dell'olio: "Indicatore del livello dell'olio"

- Rimuovere polvere e sporco nelle vicinanze dello sportello di rabbocco e staccare l'indicatore di livello dell'olio.
- Evitare il contatto dell'indicatore di livello dell'olio con sabbia o polvere. Diversamente, la sabbia o la polvere che hanno aderito all'indicatore possono provocare una circolazione irregolare dell'olio o determinare l'usura delle parti del motore, con conseguenti problemi.
- Per mantenere pulito l'indicatore di livello dell'olio, inserire l'indicatore a lato della manopola nel coperchio del motore, come mostrato in Fig. 3.



Fig. 1

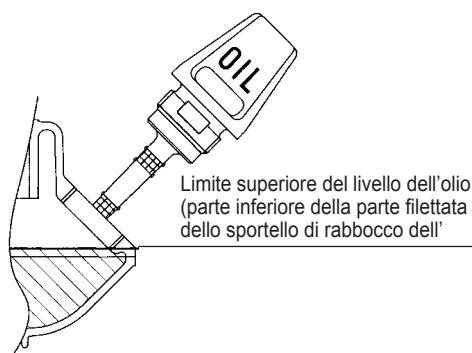


Fig. 2

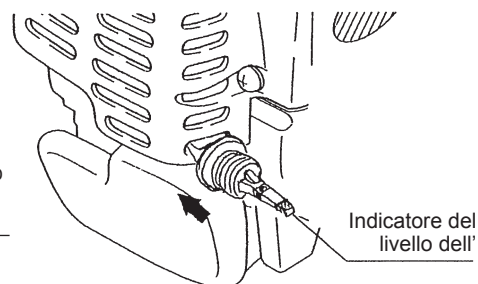
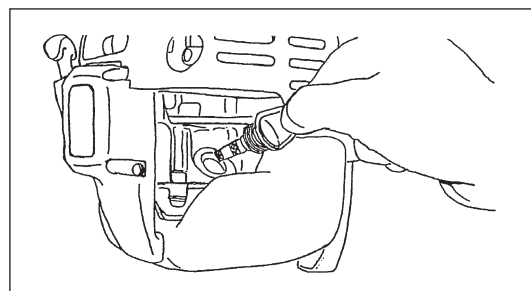
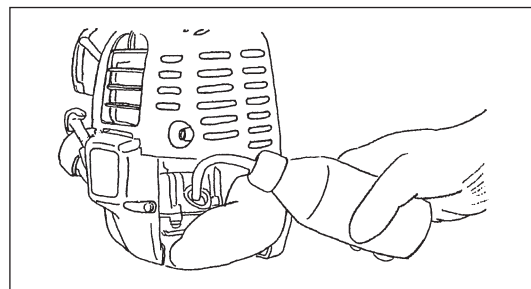


Fig. 3

(1) Mantenere il motore in piano e staccare l'indicatore di livello dell'olio.



(2) Rabboccare l'olio fino al limite dello sportello di rabbocco dell'olio. (Vedere la Fig. 2.)
Inserire l'olio utilizzando il contenitore di rabbocco del lubrificante.



(3) Serrare l'indicatore di livello dell'olio. Un serraggio insufficiente può causare perdite d'olio.

Punto 2 della sostituzione dell'olio: "Fuoriuscite di olio"

- Se l'olio dovesse fuoriuscire dal contenitore del carburante e dall'unità principale del motore, verrebbe aspirato dall'ingresso dell'aria di raffreddamento, contaminando il motore. Pulire eventuali fuoriuscite d'olio prima della messa in funzione.

RIFORNIMENTO

Trattamento del carburante

Il carburante deve essere trattato con la massima attenzione, in quanto può contenere sostanze simili ai solventi. Il rifornimento deve essere eseguito in un ambiente ventilato o all'aria aperta. Non inalare i vapori e mantenere il carburante a distanza. Un contatto ripetuto o prolungato con il carburante può seccare la pelle, provocando fastidi o allergie. Se il carburante viene a contatto con gli occhi, lavare gli occhi con acqua fresca. Se l'irritazione persiste, consultare un medico.

Periodo di conservazione del carburante

Il carburante deve essere utilizzato entro 4 settimane, anche se viene conservato in contenitori specifici in ambienti ben ventilati e in ombra. Se non viene utilizzato un contenitore specifico, o se il contenitore non è coperto, il carburante può deteriorarsi in un giorno.

CONSERVAZIONE DELL'UTENSILE E DEL SERBATOIO

- Conservare l'utensile e il serbatoio in un ambiente fresco, lontano dalla luce diretta del sole.
- Non tenere il carburante nella cabina o nel bagagliaio.

Carburante

Il motore è a quattro tempi. Utilizzare benzina per automobili (normale o premium).

Punti da ricordare sul carburante

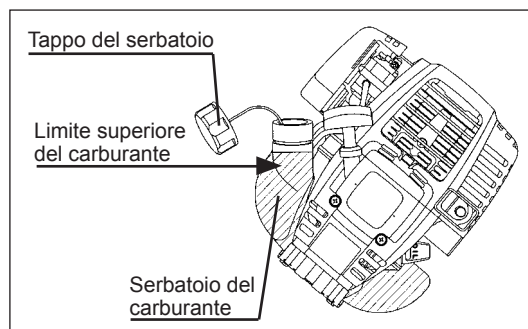
- Non utilizzare una miscela di benzina e olio motore. Diversamente, potrebbe verificarsi un accumulo di carbonio con conseguenti problemi meccanici.
- L'uso di olio deteriorato può causare un avviamento irregolare.

Rifornimento

AVVERTENZA: DIVIETO DI UTILIZZO DI INFIAMMABILI

Benzina utilizzata: Benzina per automobili (senza piombo)

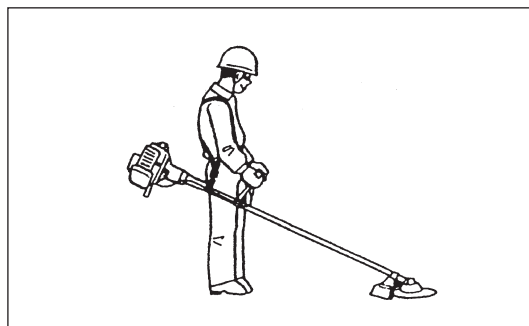
- Allentare leggermente il tappo del serbatoio per riequilibrare la pressione atmosferica.
 - Rimuovere il tappo del serbatoio ed effettuare il rifornimento, scaricando l'aria con un'inclinazione verso l'alto del serbatoio. (Non effettuare mai il rifornimento di carburante dallo sportello di rabbocco dell'olio.)
 - Pulire il tappo del serbatoio per evitare la penetrazione di corpi estranei nel serbatoio.
 - Dopo il rifornimento, serrare il tappo del serbatoio.
- Se il tappo del serbatoio presenta danni o difetti, sostituirlo.
 - Il tappo del serbatoio è soggetto a usura, pertanto deve essere sostituito ogni due o tre anni.



UTILIZZO CORRETTO DELL'UTENSILE

Fissaggio della cinghia a tracolla

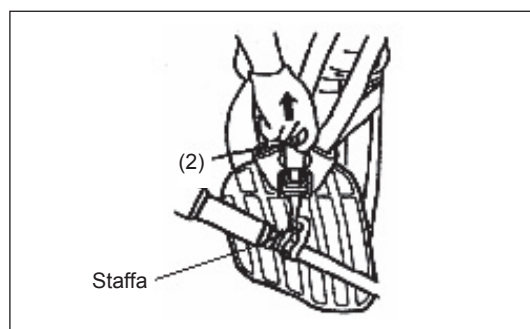
- Regolare la lunghezza della cinghia in modo che la lama sia parallela al terreno.



Distacco

- In caso di emergenza, rimuovere la sicura di emergenza (2) tirandola con forza con un dito. L'utensile si stacca dal corpo. In tale circostanza prestare particolare attenzione nel mantenere il controllo dell'utensile. Impedire che l'utensile venga deviato verso l'operatore o chiunque si trovi nelle vicinanze.

AVVERTENZA: La perdita completa del controllo dell'utensile potrebbe essere causa di gravi lesioni o di MORTE.



FUNZIONAMENTO E ARRESTO

Osservare le normative vigenti per la prevenzione degli infortuni.

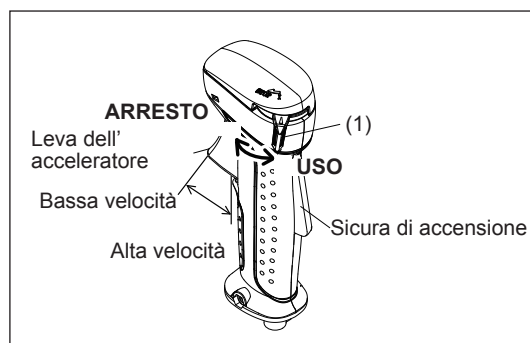


AVVIAMENTO

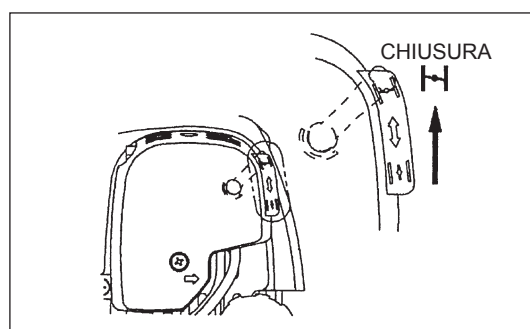
Allontanarsi di almeno 3 m dal luogo di rifornimento. Appoggiare il decespugliatore a benzina su una zona di terreno libera, avendo cura che l'utensile da taglio non sia a contatto con il terreno o con qualunque altro oggetto.

A: Avvio a freddo

- 1) Appoggiare l'utensile in uno spazio in pianura.



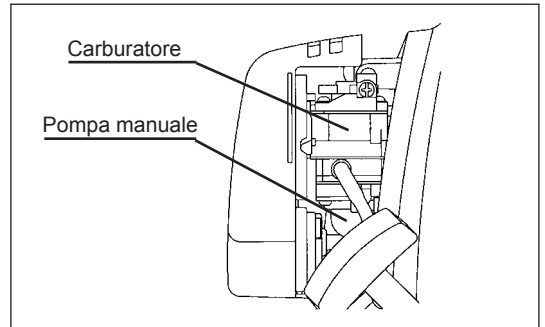
- 2) Portare l'interruttore di accensione (1) nella posizione d'USO.
- 3) Levetta dell'aria
Chiudere la levetta dell'aria.
Apertura dell'aria:
 - Completamente chiusa a basse temperature o quando il motore è freddo.
 - Completamente o parzialmente aperta per il riavvio subito dopo l'arresto.



4) Pompa manuale

Continuare a premere la pompa manuale fin quando il carburante affluisce nella pompa. (In generale, il carburante entra nella pompa manuale dopo 7-10 pressioni.)

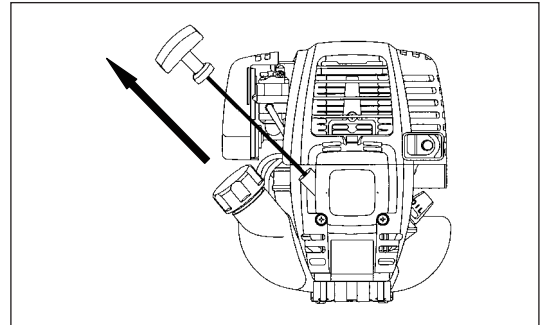
Se la pompa manuale viene premuta troppo, l'eccesso di benzina ritorna nel serbatoio.



5) Rinculo dello starter

Tirare delicatamente la manopola di avviamento fin quando risulta difficile da tirare (punto di compressione). A questo punto, riportare la manopola nella posizione iniziale e tirarla con forza.

Non tirare mai al massimo la corda. Una volta tirata la manopola di avviamento, non togliere immediatamente la mano, ma tenere la manopola finché non ritorna al punto di partenza.



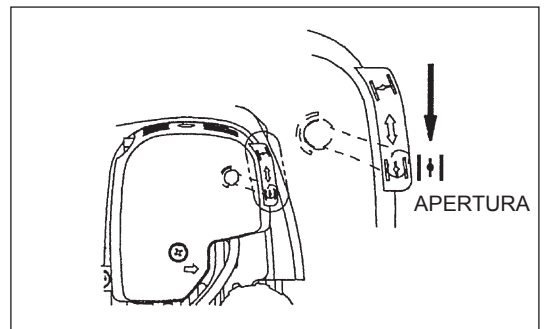
6) Levetta dell'aria

All'avviamento del motore, aprire la levetta dell'aria.

- Aprire progressivamente l'aria controllando il funzionamento del motore. Tirare completamente la levetta per aprire totalmente l'aria.
- In ambienti freddi o se il motore è freddo, non aprire mai d'improvviso la levetta dell'aria. Diversamente, il motore potrebbe spegnersi.

7) Operazione di riscaldamento

Continuare l'operazione di riscaldamento per 2 o 3 minuti.



Nota: -Se la maniglia dello starter viene tirata ripetutamente quando la levetta dell'aria rimane nella posizione CHIUSA, il motore non potrà essere avviato facilmente a causa di un'immissione di carburante eccessiva.

-In caso di eccessivo afflusso di carburante, rimuovere la candela e tirare lentamente la maniglia di avviamento per eliminare il carburante in eccesso. Asciugare quindi l'elettrodo della candela.

Precauzioni durante l'uso:

Se la leva dell'acceleratore è completamente aperta durante un'operazione non di carico, la rotazione del motore aumenta a 10.000 min⁻¹ e oltre. Non utilizzare mai il motore a una velocità superiore a quella necessaria, mantenendo il regime approssimativo di 6.000 - 8.500 min⁻¹.

B: Avviamento dopo l'operazione di riscaldamento

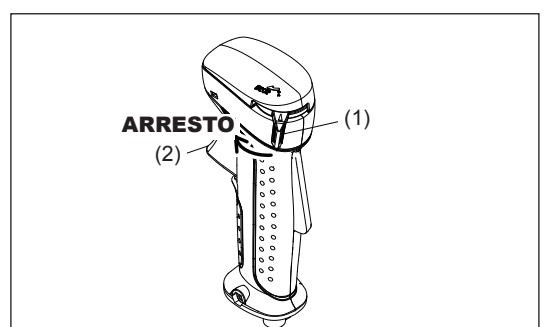
- 1) Premere più volte la pompa manuale.
- 2) Mantenere la leva dell'acceleratore nella posizione del minimo.
- 3) Tirare con forza lo starter.
- 4) Se l'avviamento del motore risulta difficoltoso, aprire l'acceleratore di circa 1/3. Prestare attenzione alla lama da taglio, che potrebbe ruotare.

Attenzione durante l'uso

Quando il motore è utilizzato con l'utensile capovolto, dal tubo di scarico potrebbe fuoriuscire del fumo bianco.

ARRESTO

- 1) Rilasciare completamente la leva dell'acceleratore (2) e, quando il regime del motore è ridotto, portare l'interruttore di accensione nella posizione ARRESTO.
- 2) La testina di taglio potrebbe non fermarsi immediatamente; attendere che rallenti del tutto.



Utilizzo della leva dell'acceleratore

Con l'unità principale della leva dell'acceleratore tenuta in mano (con la sicura premuta), tirare la leva dell'acceleratore per aumentare la rotazione del motore. Rilasciare la leva dell'acceleratore per riportare il motore al minimo.

Togliendo la mano dall'unità principale della leva dell'acceleratore, la sicura ritorna automaticamente nella posizione iniziale in modo che la leva dell'acceleratore non possa essere premuta per sbaglio.

Regolazione della rotazione del motore

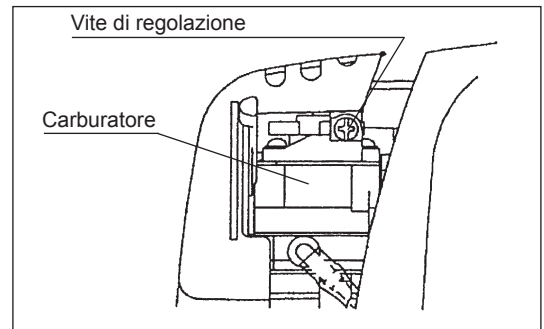
Durante la regolazione della rotazione del motore con la leva dell'acceleratore completamente aperta, ruotare il dispositivo di controllo dell'acceleratore. Ruotare il dispositivo in senso orario per ridurre la rotazione del motore; ruotare il dispositivo in senso antiorario per aumentare la rotazione del motore.

REGOLAZIONE DELLA ROTAZIONE A BASSA VELOCITÀ (MINIMO)

Se fosse necessario regolare la rotazione a bassa velocità (minimo), effettuare la modifica utilizzando la vite di regolazione del carburatore.

CONTROLLO DELLA ROTAZIONE A BASSA VELOCITÀ

- Impostare la rotazione a bassa velocità su 3.000 min⁻¹.
Se fosse necessario cambiare la velocità di rotazione, regolare la vite di regolazione (mostrata a sinistra) con un cacciavite a stella.
- Ruotare la vite di regolazione a destra per aumentare la rotazione del motore.
Ruotare la vite di regolazione a sinistra per diminuire la rotazione del motore.
- Il carburatore viene generalmente regolato prima della spedizione. Se fosse necessario ripetere la regolazione, contattare un centro assistenza autorizzato.



AFFILATURA DELL'UTENSILE DA TAGLIO



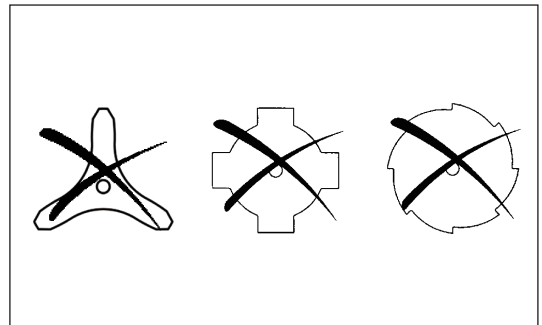
ATTENZIONE:

Gli utensili da taglio elencati devono essere affilati solo da un centro autorizzato. L'affilatura manuale potrebbe provocare uno sbilanciamento dell'utensile, con conseguenti vibrazioni e danni al dispositivo.

- lama da taglio
Un servizio di affilatura e di equilibratura professionale è fornito dai centri assistenza autorizzati.

NOTA:

Per aumentare la durata della lama da taglio, è possibile capovolgerla di tanto in tanto, fino a usare entrambi i margini di taglio.



TESTINA DA TAGLIO IN NYLON

La testina da taglio in nylon è una testina a doppio filo a benzina, con meccanismo sia automatico che "batti e vai".

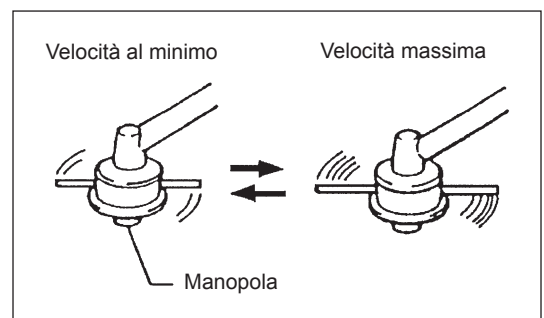
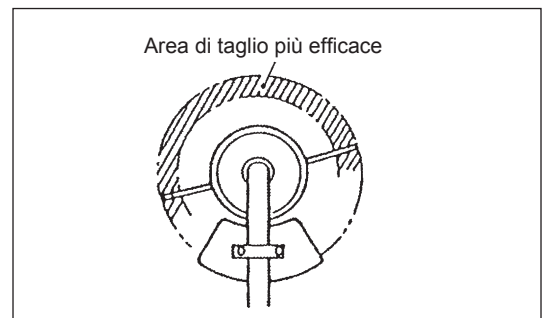
La testina da taglio in nylon alimenta automaticamente la lunghezza del filo in nylon in base alle variazioni della forza centrifuga determinate dalla variazione del numero di giri. Tuttavia, per tagliare meglio l'erba morbida, è sufficiente battere la testina contro il terreno per ottenere più filo, come illustrato nella sezione sul funzionamento.

Funzionamento

- Aumentare la velocità della testina da taglio in nylon a circa 6.000 min⁻¹. La bassa velocità (inferiore a 4.800 min⁻¹) non è adatta, in quanto il filo di nylon non può essere alimentato correttamente a bassa velocità.
- L'area di taglio più efficiente è mostrata dall'area ombreggiata.

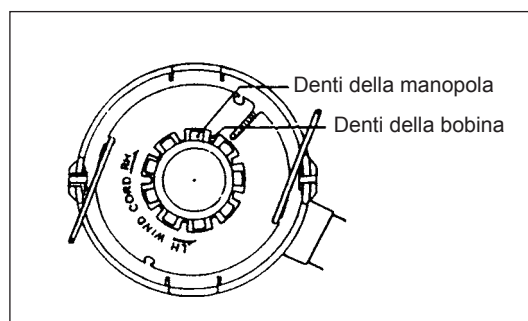
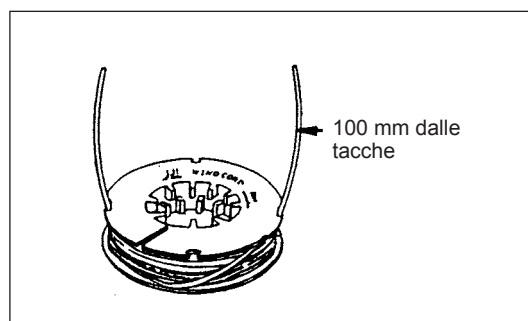
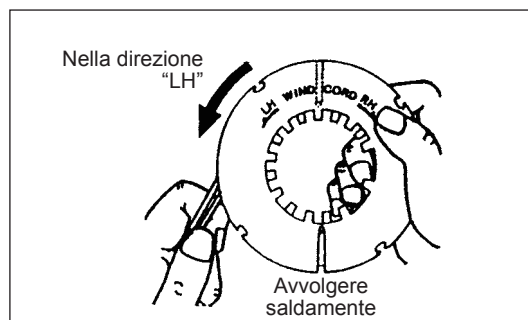
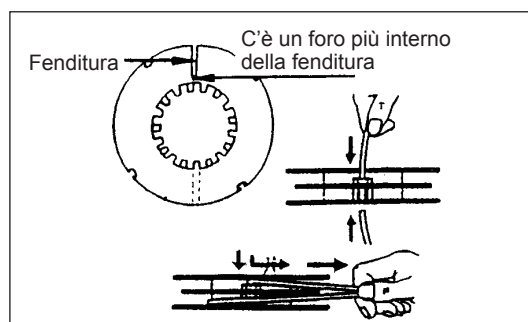
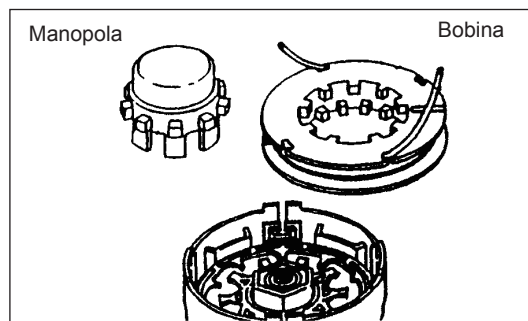
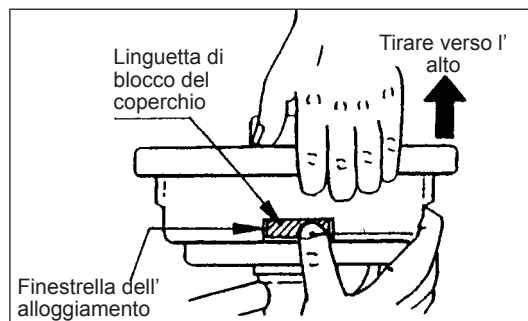
Se il filo di nylon non viene alimentato automaticamente, procedere come segue:

1. Rilasciare la leva dell'acceleratore in modo che il motore vada al minimo, quindi premere completamente la leva. Ripetere questa procedura fino a quando il filo di nylon non raggiunge la lunghezza desiderata.
2. Se il filo di nylon è troppo corto per essere alimentato automaticamente con la procedura indicata, battere la sporgenza della testina da taglio in nylon sul terreno per alimentare più filo.
3. Se il filo di nylon non viene alimentato mediante la procedura 2, riavvolgere o sostituire il filo seguendo le procedure descritte in "Sostituzione del filo di nylon".

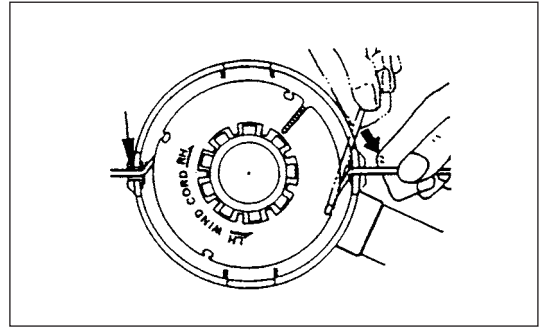


Sostituzione del filo di nylon

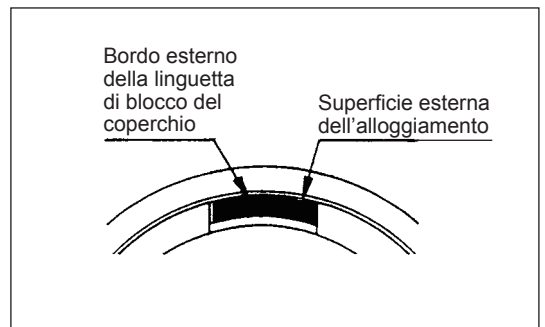
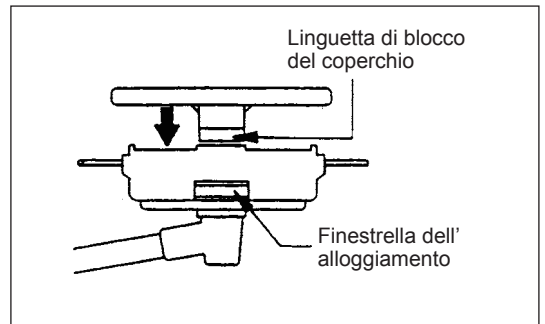
1. Togliere il coperchio dall'alloggiamento, premendo le due linguette di blocco ai lati opposti dell'alloggiamento.
2. Estrarre la manopola e la bobina dall'alloggiamento.
3. Inserire ogni estremità delle due linee di taglio nei fori più interni dell'alloggiamento su una delle flange esterne della bobina. Inserire le linee nelle condutture delle bobine utilizzando le fenditure sulle flange.
4. Avvolgere saldamente le linee nella direzione mostrata dalla freccia sinistra (LH) sulla flangia. Non incrociare le linee.
5. Avvolgere tutto il filo, tranne 100 mm (3-15/16"), lasciando le estremità temporaneamente agganciate alla tacca sul fianco della bobina.
6. Inserire la manopola nell'alloggiamento, posizionandola in modo che possa muoversi liberamente in alto e in basso con la tensione della molla. Inserire la bobina nell'alloggiamento, allineando i denti sulla bobina e la manopola in modo alternato, come se fossero ingranaggi.



7. Inserire le linee di taglio negli occhielli.



8. Posizionare il coperchio sull'alloggiamento, allineando le linguette sul coperchio alle finestrelle sull'alloggiamento. Assicurarsi che il coperchio sia fissato all'alloggiamento. Il bordo esterno della linguetta di blocco e la superficie esterna dell'alloggiamento devono trovarsi sulla stessa circonferenza.



ISTRUZIONI DI MANUTENZIONE

ATTENZIONE: Prima di effettuare qualunque intervento sul decespugliatore a benzina, spegnere sempre il motore e staccare la candela (vedere "Controllo della candela").
Indossare sempre i guanti di protezione.

Per garantire una lunga durata ed evitare danni all'utensile, effettuare periodicamente le seguenti operazioni di manutenzione.

Controllo e manutenzione giornalieri

- Prima dell'uso, controllare l'utensile alla ricerca di viti allentate o parti mancanti. Prestare particolare attenzione alla tenuta della lama o della testina da taglio in nylon.
- Prima dell'uso, controllare le alette del cilindro e che il passaggio dell'aria di raffreddamento non sia ostruito. Effettuare la pulizia, se necessario.
- Eseguire le seguenti operazioni di manutenzione giornaliere dopo l'uso:
 - Pulire il decespugliatore a benzina esternamente e controllare l'eventuale presenza di danni.
 - Pulire il filtro dell'aria. Se l'uso avviene in ambienti particolarmente polverosi, pulire il filtro più volte al giorno.
 - Controllare eventuali danni alla lama o alla testina da taglio in nylon e verificare che siano montati saldamente.
 - Controllare che vi sia una differenza sufficiente fra il minimo e la velocità di lavoro, per fare in modo che l'utensile da taglio sia fermo quando il motore è al minimo (se necessario ridurre la velocità di minimo).
Se in condizioni di minimo l'utensile è ancora in funzione, rivolgersi al centro assistenza autorizzato di zona.
- Controllare che l'interruttore di accensione, la leva di sicurezza, la leva di controllo e il pulsante di blocco funzionino correttamente.

SOSTITUZIONE DELL'OLIO MOTORE

L'olio motore deteriorato riduce notevolmente la durata delle parti scorrevoli e rotanti. Verificare il periodo e la quantità per la sostituzione.



ATTENZIONE: In generale, l'unità principale del motore e l'olio motore sono ancora caldi dopo l'arresto del motore. Prima di sostituire l'olio, verificare che il motore e l'olio motore si siano raffreddati. Diversamente, è possibile procurarsi ustioni.

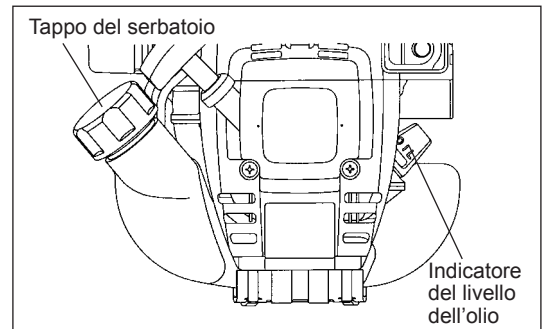
Nota: Se l'olio viene rabboccato oltre il limite, possono verificarsi contaminazioni o incendi che producono fumo bianco.

Intervallo di sostituzione: Inizialmente ogni 20 ore di funzionamento, successivamente ogni 50 ore di funzionamento

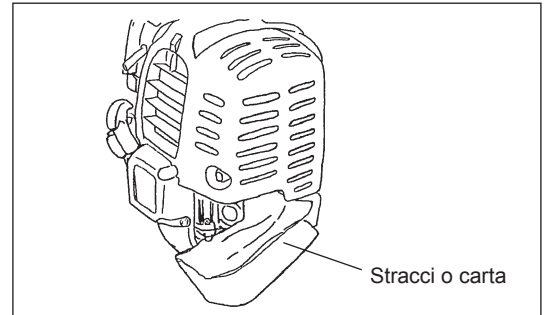
Olio consigliato: Olio SAE 10W-30 di classificazione API, classe SF o superiore (motore a quattro tempi per automobili)

Per la sostituzione, eseguire la seguente procedura.

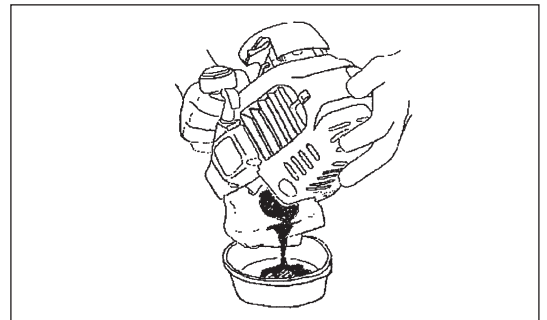
- 1) Verificare che il tappo del serbatoio sia serrato.
- 2) Rimuovere l'indicatore di livello dell'olio.
Evitare il contatto dell'indicatore di livello dell'olio con polvere o sporcizia.



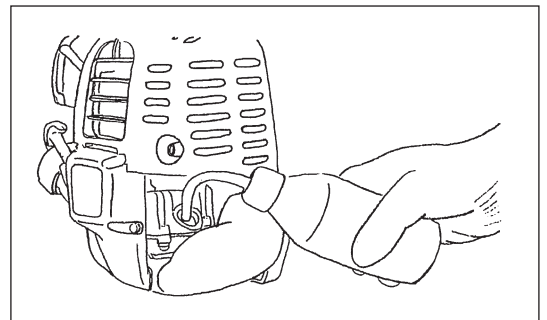
- 3) Posizionare degli stracci o della carta in prossimità dello sportello di rabbocco dell'olio.



- 4) Staccare l'indicatore di livello dell'olio e scaricare l'olio inclinando l'unità principale verso lo sportello di rabbocco.
Scaricare l'olio in un contenitore per un corretto smaltimento.



- 5) Mantenere il motore in piano e rabboccare l'olio fino al limite dello sportello di rabbocco olio.
Per il rabbocco, utilizzare un contenitore di rabbocco del lubrificante.
- 6) Dopo il rabbocco, serrare l'indicatore di livello dell'olio. Un serraggio insufficiente dell'indicatore di livello dell'olio può provocare perdite d'olio.



INDICAZIONI UTILI SULL'OLIO

- Non gettare l'olio motore sostituito nella spazzatura, nel terreno o nei tombini. Lo smaltimento dell'olio è regolamentato dalle leggi. Per lo smaltimento, attenersi sempre a leggi e regolamenti in vigore. Per qualsiasi informazione, rivolgersi al centro assistenza autorizzato.
- L'olio si deteriora anche se inutilizzato. Eseguire l'ispezione e la sostituzione a intervalli regolari (sostituire l'olio ogni sei mesi).

PULIZIA DEL FILTRO DELL'ARIA



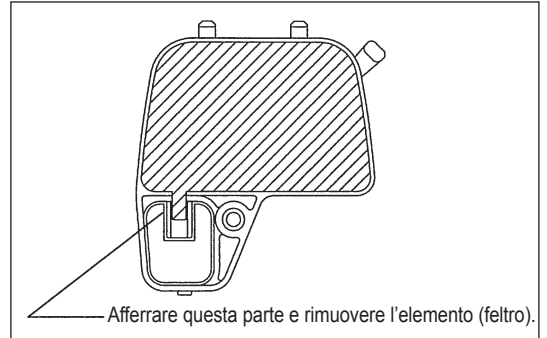
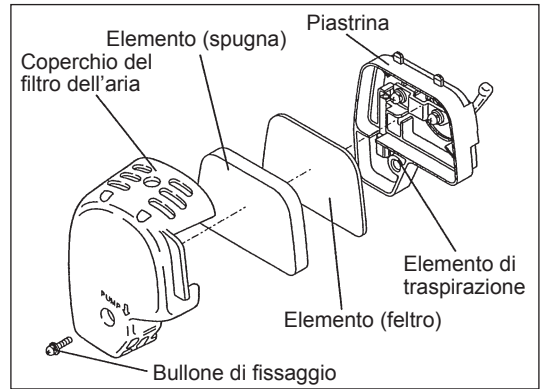
PERICOLO: DIVIETO DI UTILIZZO DI INFIAMMABILI

Intervallo di pulizia ed ispezione: giornaliero (ogni 10 ore di funzionamento)

- Ruotare la levetta dell'aria in modo che sia completamente chiusa e tenere il carburatore lontano da polvere o sporco.
- Rimuovere i bulloni del coperchio del filtro dell'aria.
- Tirare il lato inferiore del coperchio e staccare il coperchio del filtro dell'aria.
- Se l'olio dovesse aderire all'elemento (spugna), spremerlo con forza.
- In caso di grave contaminazione:
 - 1) Rimuovere l'elemento (spugna), immergerlo in acqua calda o in acqua contenente sapone neutro e lasciarlo asciugare completamente.
 - 2) Pulire l'elemento (feltro) con della benzina e lasciarlo asciugare completamente.
- Prima di inserire l'elemento, lasciarlo asciugare completamente. Un'asciugatura insufficiente dell'elemento può comportare difficoltà nella messa in funzione.
- Pulire l'olio intorno al coperchio del filtro dell'aria e alla piastrina di traspirazione con degli stracci.
- Al termine della pulizia, riapplicare subito il coperchio del filtro e serrarlo con i bulloni (per il montaggio, posizionare prima la pinza superiore e poi quella inferiore).

Informazioni utili per il trattamento del filtro dell'aria

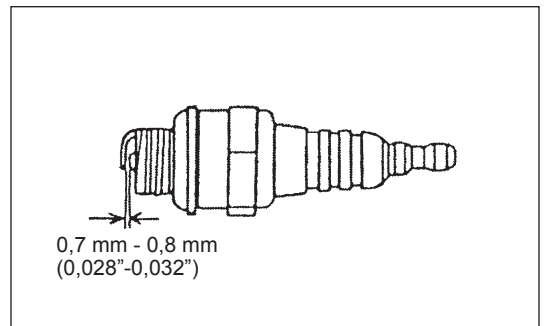
- Pulire l'elemento più volte al giorno se la polvere è eccessiva.
- Se l'utilizzo continua senza che l'olio in eccesso venga rimosso dall'elemento, l'olio all'interno del filtro dell'aria può fuoriuscire, provocando una contaminazione dell'olio.



CONTROLLO DELLA CANDELA

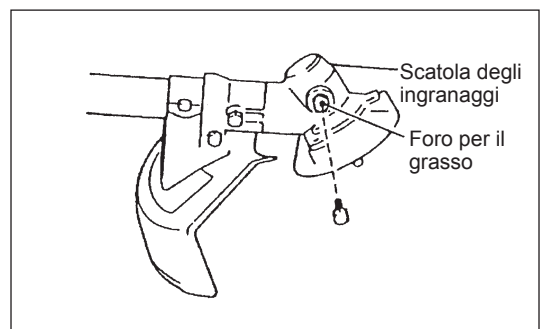
- Per rimuovere o installare la candela usare solo la chiave universale in dotazione.
- Lo spazio fra i due elettrodi della candela deve essere compreso tra 0,7 e 0,8 mm (0,028"-0,032"). Regolare lo spazio se fosse troppo largo o troppo stretto. Se la candela è ostruita dallo sporco o contaminata, pulirla accuratamente o sostituirla.

ATTENZIONE: Non toccare mai il connettore della candela mentre il motore è in moto (pericolo di scossa elettrica ad alta tensione).



INGRASSAGGIO DELLA SCATOLA DEGLI INGRANAGGI

- Inserire del grasso (Shell Alvania 2 o equivalente) nella scatola degli ingranaggi attraverso l'apposito foro ogni 30 ore. (Il grasso originale DOLMAR può essere acquistato dal rivenditore DOLMAR.)



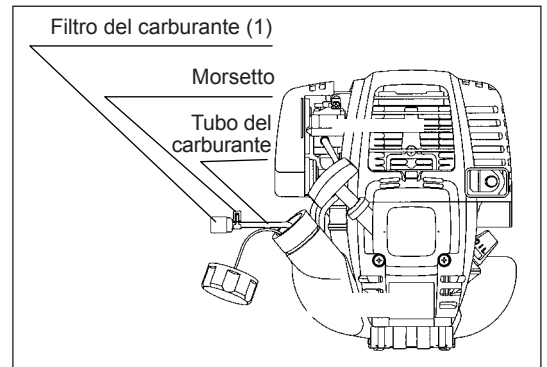
PULIZIA DEL FILTRO DEL CARBURANTE

AVVERTENZA: DIVIETO DI UTILIZZO DI INFIAMMABILI

Intervallo di pulizia ed ispezione: mensile (ogni 50 ore di funzionamento)

Testina aspirante nel serbatoio del carburante

- Il filtro del carburante (1) della testina aspirante è utilizzato per fornire il carburante richiesto dal carburatore.
- È opportuna un'ispezione visiva periodica del filtro del carburante. A tale scopo, aprire il tappo del serbatoio e, usando un gancio metallico, estrarre la testina aspirante attraverso l'apertura. I filtri induriti, contaminati oppure ostruiti devono essere sostituiti.
- Un afflusso insufficiente di carburante potrebbe portare al superamento della velocità massima consentita. È pertanto importante sostituire il filtro del carburante almeno ogni tre mesi, per garantire un'erogazione di carburante soddisfacente al carburatore.



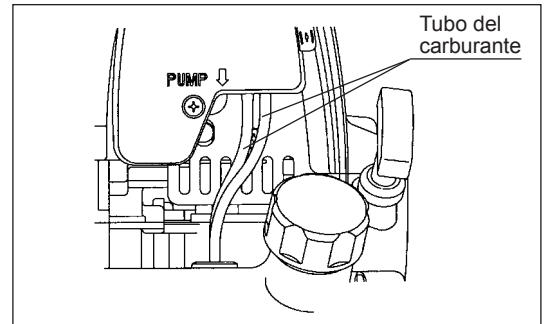
SOSTITUZIONE DEL TUBO DEL CARBURANTE

ATTENZIONE: DIVIETO DI UTILIZZO DI INFIAMMABILI

Intervallo di pulizia ed ispezione: giornaliero (ogni 10 ore di funzionamento)

Sostituzione: annuale (ogni 200 ore di funzionamento)

Sostituire il tubo del carburante una volta l'anno, indipendentemente dalla frequenza di utilizzo. Le perdite di carburante possono dare luogo a incendi. Se vengono rilevate perdite durante l'ispezione, sostituire immediatamente il tubo dell'olio.



ISPEZIONE DI BULLONI, DADI E VITI

- Serrare bulloni, dadi e viti allentati.
- Verificare la presenza di perdite di carburante e olio.
- Sostituire le parti danneggiati per un utilizzo in sicurezza.

PULIZIA DELLE PARTI

- Mantenere il motore sempre pulito.
- Evitare il contatto delle alette del cilindro con polvere o sporco. La polvere o lo sporco che aderiscono alle alette possono causare la perdita di cilindricità del pistone.

SOSTITUZIONE DI GUARNIZIONI E IMBALLAGGI

Durante il rimontaggio del motore, sostituire le guarnizioni e gli imballaggi.

Ogni attività di manutenzione o di regolazione non descritta in questo manuale deve essere effettuata esclusivamente da un centro assistenza autorizzato.

CONSERVAZIONE

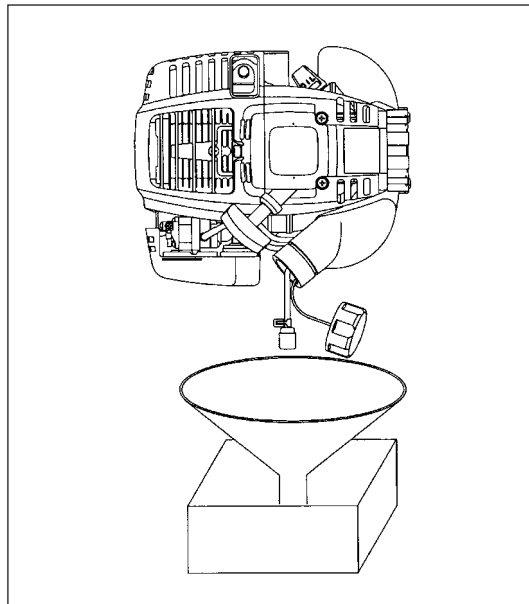


AVVERTENZA: Quando si scarica il carburante, il motore deve essere spento e freddo.
Subito dopo l'arresto, il motore è ancora caldo e può causare rischi di ustioni, infiammabilità e incendi.



ATTENZIONE: Se l'utensile non viene utilizzato per lungo tempo, scaricare tutto il carburante dal serbatoio e dal carburatore, quindi conservarlo in un luogo fresco e asciutto.

- Scaricare il carburante dal serbatoio e dal carburatore secondo la procedura riportata di seguito:
 - 1) Rimuovere il tappo del serbatoio del carburante e scaricare completamente il carburante.
Se nel serbatoio rimangono corpi estranei, rimuoverli completamente.
 - 2) Estrarre il filtro del carburante dallo sportello di rabbocco utilizzando un filo.
 - 3) Premere la pompa manuale fino a scaricare tutto il carburante, quindi scaricare il carburante penetrato nel serbatoio.
 - 4) Rimontare il filtro sul serbatoio del carburante e serrare il tappo.
 - 5) Continuare quindi a utilizzare il motore fino all'arresto.
- Rimuovere la candela e far cadere diverse gocce di olio motore nel foro della candela.
- Tirare delicatamente l'impugnatura di avviamento per diffondere l'olio motore nel motore, quindi inserire la candela.
- Fissare il coperchio alla lama da taglio.
- Conservare l'asta in orizzontale o l'utensile in verticale con il bordo della lama orientato verso l'alto (in questo caso, prestare attenzione affinché l'utensile non cada).
Non conservare l'utensile con il bordo della lama da taglio rivolto in basso. L'olio lubrificante potrebbe fuoriuscire.
- Conservare il carburante scaricato in un contenitore speciale, in un ambiente all'ombra e ben ventilato.



Attenzione dopo una lunga conservazione

- Prima dell'avviamento dopo una fase di inutilizzo prolungata, sostituire l'olio (vedere P 87). L'olio si deteriora anche se l'utensile è inutilizzato.

Posizione non corretta

Problema	Sistema	Osservazione	Causa
Il motore non si avvia o si avvia con difficoltà	Sistema di accensione	Scintilla di accensione OK Nessuna scintilla di accensione	Problema nel sistema di alimentazione o di compressione, difetto meccanico Interruttore di arresto utilizzato, problema di cavi o corto circuito, candela o cavo della candela difettosi, modulo di accensione guasto
	Alimentazione	Il serbatoio contiene carburante	Posizione dell'aria non corretta, carburatore guasto, linea di alimentazione piegata o bloccata, carburante sporco
	Compressione	Non c'è compressione nel cilindro	Guarnizione inferiore del cilindro danneggiata, guarnizione dell'albero motore danneggiata, cilindro o segmenti del pistone danneggiati, la candela non chiude ermeticamente il foro
Problemi nell'avviamento a caldo	Guasto meccanico	L'avviamento non funziona	Rottura della molla dell'avviamento, parti danneggiate all'interno del motore
	Alimentazione	Scintilla di accensione con serbatoio pieno Il serbatoio contiene carburante	Carburatore contaminato, richiederne la pulizia Regolazione del minimo non corretta, carburatore sporco
Il motore parte ma si spegne	Alimentazione	Il serbatoio contiene carburante	Apertura del serbatoio di carburante danneggiata, linea di alimentazione interrotta, cavo o interruttore di arresto difettosi
Prestazioni insufficienti	Possono essere interessati contemporaneamente più sistemi	Minimo insufficiente	Filtro dell'aria sporco, carburatore sporco, tubo di scarico otturato, condotto di scarico del cilindro otturato

Durata in esercizio		Prima dell'uso	Dopo la lubrificazione	Giornaliero (10 ore)	30 ore	50 ore	200 ore	Arresto/riposo	P corrispondente
Elemento									
Olio motore	Ispezione/pulizia	○							82
	Sostituzione					○*1			88
Parti di serraggio (bullone, dato)	Ispezione	○							91
Serbatoio del carburante	Pulizia/ispezione	○							—
	Svuotamento del carburante							○*3	92
Leva dell'acceleratore	Controllo del funzionamento		○						—
Interruttore di arresto	Controllo del funzionamento		○						85
Lama da taglio	Ispezione	○		○					80
Rotazione a bassa velocità	Ispezione/regolazione			○					86
Filtro dell'aria	Pulizia			○					90
Candela di accensione	Ispezione			○					90
Condotto dell'aria di raffreddamento	Pulizia/ispezione			○					91
Tubo del carburante	Ispezione			○					91
	Sostituzione						◎*2		—
Grasso della scatola degli ingranaggi	Rabbocco				○				90
Filtro del carburante	Pulizia/sostituzione					○			91
Distanza tra valvola di ingresso e valvola di uscita dell'aria	Regolazione						◎*2		—
Tubo dell'olio	Ispezione						◎*2		
Revisione del motore							◎*2		—
Carburatore	Svuotamento del carburante							○*3	92

*1 Eseguire la sostituzione iniziale dopo 20 ore di funzionamento.

*2 Per l'ispezione dopo 200 ore di funzionamento, rivolgersi a un centro assistenza autorizzato o a un rivenditore.

*3 Dopo aver svuotato il serbatoio, lasciare il motore in funzione e scaricare il carburante nel carburatore.

RISOLUZIONE DEI PROBLEMI

Prima di richiedere una riparazione, è opportuno individuare il problema autonomamente. Se viene rilevata un'anomalia, controllare l'utensile secondo le indicazioni nel presente manuale. Non smontare o manomettere le parti diversamente da quanto riportato nelle indicazioni. Per le riparazioni, contattare il centro assistenza autorizzato o il rivenditore di zona.

Stato di anomalia	Probabile causa (problema di funzionamento)	Soluzione
Il motore non si avvia	Impossibile utilizzare la pompa manuale	Premere da 7 a 10 volte
	Velocità di tiraggio ridotta della corda di avviamento	Tirare con forza
	Mancanza di carburante	Rifornire il carburante
	Filtro del carburante ostruito	Pulizia
	Tubo del carburante rotto	Raddrizzare il tubo del carburante
	Carburante deteriorato	Il carburante deteriorato rende difficoltoso l'avviamento. Effettuare la sostituzione (sostituzione consigliata: 1 mese)
	Aspirazione eccessiva di carburante	Portare la leva dell'acceleratore dalla posizione di velocità media alla posizione di velocità alta e tirare l'impugnatura di avviamento fino a mettere in funzione il motore. Dopo l'avviamento del motore, la lama da taglio inizia a ruotare. Prestare la massima attenzione alla lama da taglio. Se il motore ancora non si avvia, rimuovere la candela, asciugare l'elettrodo e rimontarla come in origine. Procedere quindi all'avviamento come specificato.
	Cappuccio della candela staccato	Attaccarlo saldamente
	Candela contaminata	Pulizia
	Distanza anomala della candela	Regolare la distanza
	Altra anomalia della candela	Sostituzione
	Carburatore anomalo	Richiedere l'ispezione e la manutenzione.
	Impossibile tirare la corda di avviamento	Richiedere l'ispezione e la manutenzione.
	Sistema di trasmissione anomalo	Richiedere l'ispezione e la manutenzione.
Il motore si arresta La velocità del motore non aumenta	Riscaldamento insufficiente	Eseguire l'operazione di riscaldamento
	La leva dell'aria è nella posizione CHIUSA anche se il motore è caldo.	Portarla nella posizione APERTA
	Filtro del carburante ostruito	Pulizia
	Filtro dell'aria ostruito o contaminato	Pulizia
	Carburatore anomalo	Richiedere l'ispezione e la manutenzione.
	Sistema di trasmissione anomalo	Richiedere l'ispezione e la manutenzione.
La lama da taglio non ruota ↓ Arrestare immediatamente il motore	Dato di serraggio della lama da taglio allentato	Serrare saldamente
	Ramoscelli raccolti dalla lama da taglio o dal coperchio anti-dispersione.	Rimuovere i corpi estranei
	Sistema di trasmissione anomalo	Richiedere l'ispezione e la manutenzione.
L'unità principale vibra in modo anomalo ↓ Arrestare immediatamente il motore	Lama da taglio rotta, piegata o usurata	Sostituire la lama da taglio
	Dato di serraggio della lama da taglio allentato	Serrare saldamente
	Parte convessa della lama da taglio e raccordo di supporto della lama da taglio in posizione non corretta.	Attaccarlo saldamente
	Sistema di trasmissione anomalo	Richiedere l'ispezione e la manutenzione.
La lama da taglio non si ferma immediatamente ↓ Arrestare immediatamente il motore	Rotazione al minimo alta	Regolazione
	Filo dell'acceleratore staccato	Attaccarlo saldamente
	Sistema di trasmissione anomalo	Richiedere l'ispezione e la manutenzione.
Il motore non si arresta ↓ Avviare il motore al minimo e portare la levetta dell'aria nella posizione CHIUSA	Connettore staccato	Attaccarlo saldamente
	Sistema elettrico anomalo	Richiedere l'ispezione e la manutenzione.

Se il motore non si avvia dopo un'operazione di riscaldamento:

Se non vengono rilevate anomalie, aprire l'acceleratore di circa 1/3 e avviare il motore.

Hartelijk dank voor uw aankoop van deze benzinebosmaaier van DOLMAR. Met trots bevelen wij u deze benzinebosmaaier van DOLMAR van harte aan als resultaat van een langdurig ontwikkelingsprogramma en jarenlange kennis en ervaring.

Lees deze handleiding met daarin nauwkeurige beschrijvingen van de diverse punten die zijn hoogstaande prestaties demonstreren. Hierdoor bent u in staat de best mogelijke resultaten te behalen die de benzinebosmaaier van DOLMAR u kan bieden.



Inhoud	Pagina
Symbolen.....	95
Veiligheidsinstructies	96
Technische gegevens	100
Namen van onderdelen	101
De handgreep monteren.....	102
De beschermkap monteren	103
Het snijgarnituur monteren	104
Vóór het begin van het werk.....	105
Correcte hantering.....	107
Tips voor gebruik en procedure voor stoppen	107
Het snijgarnituur slijpen	109
Onderhoudsinstructies.....	111
Opslag	115

SYMBOLEN

Let op de volgende symbolen wanneer u de gebruiksaanwijzing leest.

	Lees de gebruiksaanwijzing en volg de waarschuwingen en veiligheidsvoorzorgsmaatregelen op!		Draag een veiligheidshelm, oog- en oorbescherming!
	Besteed bijzondere zorg en aandacht!		Toegestaan maximumtoerental
	Verboden!		Brandstof (benzine)
	Houd afstand!		Motor handmatig starten
	Gevaar voor rondvliegende voorwerpen!		Noodstop
	Verboden te roken!		EHBO
	Geen open vuur!		Recyclen
	Veiligheidshandschoenen vereist!		AAN/START
	Draag stevige laarzen met antislipzolen. Veiligheidslaarzen met stalen neuzen zijn aanbevolen!		UIT/STOP
	Terugslag!		
	Houd mensen en huisdieren weg van het werkgebied!		

VEILIGHEIDSINSTRUCTIES

Algemene instructies

- Voor een correcte gebruik dient de gebruiker deze gebruiksaanwijzing te lezen om zichzelf bekend te maken met de juiste manier van omgaan met de benzinebosmaaier. Gebruikers die onvoldoende geïnformeerd zijn, lopen de kans zichzelf en anderen in gevaar te brengen als gevolg van onjuist omgaan met de benzinebosmaaier.
- Het verdient aanbeveling de benzinebosmaaier uitsluitend uit te lenen aan mensen die bewezen hebben ervaren te zijn met het gebruik van een benzinebosmaaier.
Geef altijd de gebruiksaanwijzing mee.
- Allereerst dienen gebruikers de dealer te vragen om basisinstructies om zichzelf bekend te maken met het omgaan met een motoraangedreven maaier.
- Laat geen kinderen of jonge mensen die jonger zijn dan 18 jaar met de benzinebosmaaier werken. Jongeren die ouder zijn dan 16 jaar mogen echter het gereedschap gebruiken om te oefenen, maar alleen onder toezicht van een gekwalificeerde begeleider.
- Gebruik de benzinebosmaaiers met de hoogst mogelijke zorg en aandacht.
- Gebruik de benzinebosmaaier alleen als u in goede lichamelijke conditie bent. Werk altijd rustig en voorzichtig. De gebruiker is aansprakelijk ten opzichte van anderen.
- Gebruik nooit de benzinebosmaaier nadat u alcohol of geneesmiddelen hebt gebruikt of als u zich moe of ziek voelt.

Bedoeld gebruik van het gereedschap

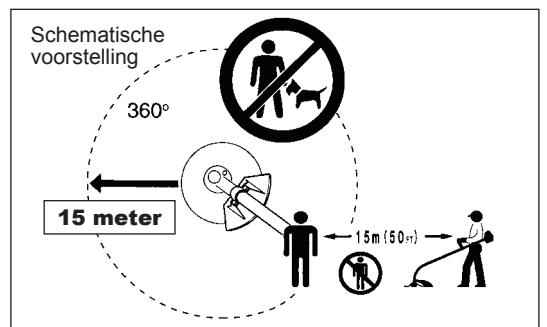
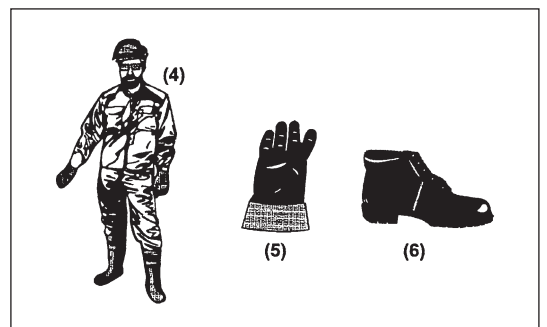
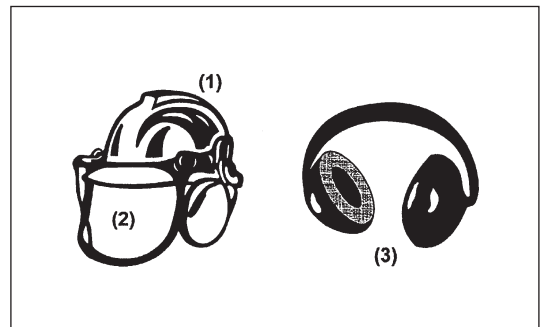
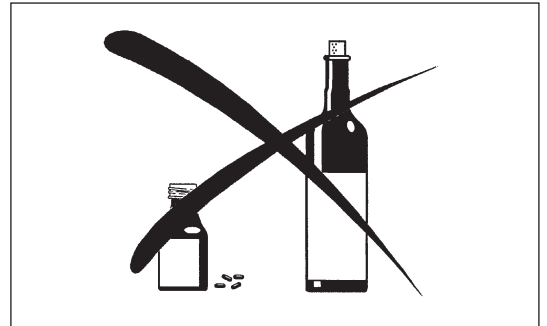
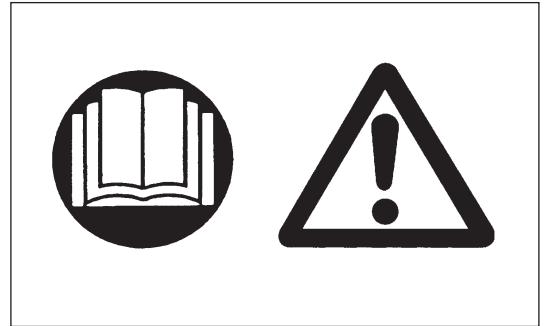
- De benzinebosmaaier is alleen bedoeld voor het maaien van gras, onkruid, struiken en ondergroei. Hij mag niet worden gebruikt voor andere doeleinden zoals het snoeien van heggen en hagen, anders kan dit letsels veroorzaken.

Persoonlijke-veiligheidsuitrusting

- De te dragen kleding dient functioneel en geschikt te zijn, d.w.z. nauwsluitend zonder te hinderen. Draag geen juwelen of kleding die in de struiken kunnen verstrikt raken.
- Om tijdens het gebruik letsels aan hoofd, ogen, handen of voeten te voorkomen en uw gehoor te beschermen, moeten de volgende veiligheidsuitrusting en beschermende kleding worden gebruikt terwijl u met de benzinebosmaaier werkt.
- Draag altijd een helm wanneer het risico bestaat op vallende objecten. U moet de veiligheidshelm (1) regelmatig controleren op schade en uiterlijk na 5 jaar worden vervangen. Gebruik alleen goedgekeurde veiligheidshelmen.
- Het spatscherm (2) van de helm (of de veiligheidsbril) beschermt het gezicht tegen rondvliegend afval en stenen. Draag altijd een veiligheidsbril of een spatscherm wanneer u de benzinebosmaaier gebruikt om oogletsel te voorkomen.
- Draag geschikte uitrusting om u te beschermen tegen het lawaai en gehoorbeschadiging te voorkomen (oorbeschermers (3), oordopjes, enz.).
- Een werkoverall (4) beschermt tegen rondvliegend afval en opspringende stenen.
Wij raden u sterk aan een werkoverall te dragen.
- Speciale handschoenen (5) van dik leer maken deel uit van de voorgeschreven uitrusting en moeten altijd worden gedragen tijdens het gebruik van de benzinebosmaaier.
- Draag altijd stevige schoenen (6) met een antislipzool wanneer u de benzinebosmaaier gebruikt. Dit beschermt u tegen letsel en garandeert dat u stevig staat.

De benzinebosmaaier starten

- Controleer of er geen kinderen of andere mensen aanwezig zijn binnen een werkbereik van 15 meter (50 feet) en let ook op of er geen dieren in de werkomgeving zijn.
- Controleer vóór het gebruik altijd of de benzinebosmaaier veilig is voor gebruik:
Controleer de bevestiging van de snijgarnituur, controleer of de gashendel gemakkelijk kan worden bediend, en controleer of de uit-vergrendelhendel goed werkt.
- Het snijgarnituur mag niet draaien bij stationair motortoerental. Neem bij twijfel contact op met uw dealer voor afstelling. Controleer of de handgrepen schoon en droog zijn en test de werking van de stopschakelaar.

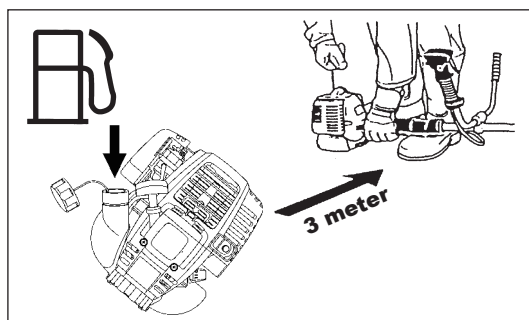
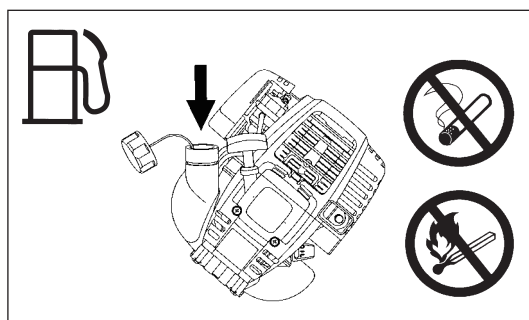
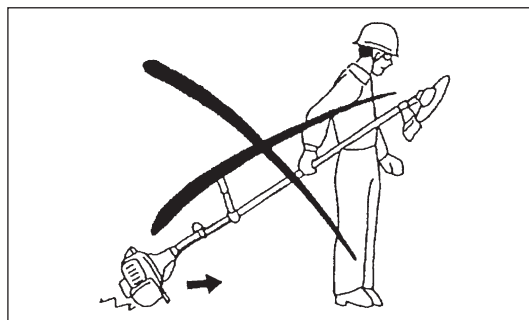
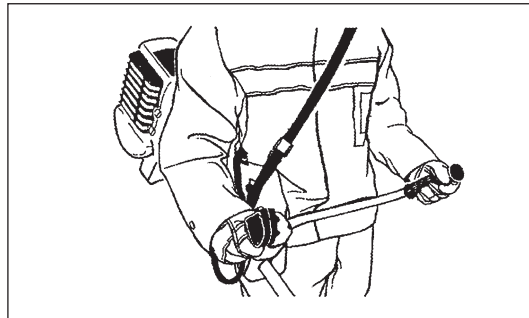
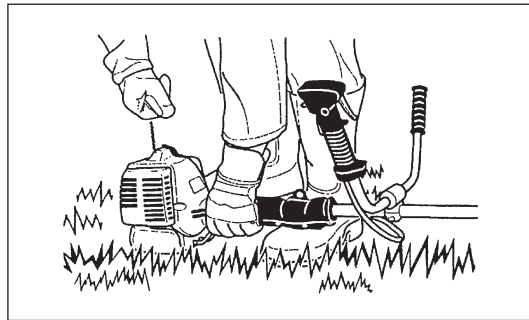


Start de benzinebosmaaier alleen in overeenstemming met de instructies.

- Gebruik geen enkele andere methode om de motor te starten!
- Gebruik de benzinebosmaaier en de gereedschappen uitsluitend voor de beschreven toepassingen.
- Start de motor van de benzinebosmaaier alleen nadat deze volledig is gemonteerd. Het gereedschap mag uitsluitend worden gebruikt nadat alle toepasselijke toebehoren zijn gemonteerd!
- Controleer vóór het starten of het snijgereedschap geen contact heeft met harde voorwerpen, zoals takken, stenen, enz., omdat het snijgereedschap gaat ronddraaien tijdens het starten.
- De motor moet onmiddellijk uitgeschakeld worden in geval van enige motorstoring.
- Als het snijblad of de maaikop stenen of andere harde voorwerpen raakt, moet u de motor onmiddellijk uitschakelen en het snijgereedschap controleren.
- Controleer het snijgereedschap regelmatig op beschadiging (inspecteren op haarscheurtjes met de klopgeluidentest).
- Gebruik de benzinebosmaaier alleen wanneer de schouderriem is bevestigd, die goed moet worden afgesteld voordat de benzinebosmaaier wordt gebruikt. Het is belangrijk de schouderriem af te stellen overeenkomstig de lichaamsgrootte van de gebruiker om vermoeidheid tijdens gebruik te voorkomen. Houd de maaier nooit met slechts één hand vast tijdens het gebruik.
- Houd de benzinebosmaaier altijd met beide handen vast tijdens het gebruik. Zorg er altijd voor dat u stevig staat.
- Gebruik de benzinebosmaaier zo, dat u geen uitlaatgassen kunt inademen. Laat de motor nooit draaien in een gesloten vertrek (kans op gasverstikking). Koolmonoxide is een geurloos gas.
- Schakel de motor uit tijdens pauzes en wanneer u de benzinebosmaaier onbeheerd achterlaat, en leg hem op een veilige plaats om gevaar voor anderen en beschadiging van het gereedschap te voorkomen.
- Leg nooit een warme benzinebosmaaier op droog gras of enige andere ontvlambare materialen.
- Het snijblad moet zijn uitgerust met zijn bijbehorende beschermkap. Gebruik de maaier nooit zonder zijn beschermkap!
- De hele veiligheidsuitrusting en alle beschermkappen die bij het gereedschap zijn geleverd, moeten tijdens het werk worden gebruikt.
- Gebruik het gereedschap nooit met een defecte uitlaatdemper.
- Schakel de motor uit tijdens het vervoer.
- Tijdens vervoer over lange afstanden moeten altijd de beschermingsdelen die bij het gereedschap werden geleverd worden gebruikt.
- Leg tijdens vervoer per auto de benzinebosmaaier op een veilige plaats om te voorkomen dat er brandstof uit lekt.
- Wanneer u de benzinebosmaaier vervoert, moet u ervoor zorgen dat de brandstoftank volledig leeg is.
- Let erop dat bij het uitladen van de benzinebosmaaier uit de auto de motor niet op de grond valt omdat hierdoor de brandstoftank ernstig kan worden beschadigd.
- Behalve in noodgevallen mag u de benzinebosmaaier nooit laten vallen of op de grond gooien omdat dit ernstige schade aan de benzinebosmaaier kan veroorzaken.
- Let erop dat u het volledige gereedschap van de grond tilt wanneer u het verplaatst. Het is bijzonder gevaarlijk de brandstoftank over de grond te slepen en dit zal beschadiging en lekkage veroorzaken die kan leiden tot brand.

Brandstof bijvullen

- Schakel de motor uit tijdens het bijvullen van brandstof, houd het gereedschap uit de buurt van open vuur en rook niet.
- Vermijd huidcontact met minerale-olieproducten. Adem brandstofdampen niet in. Draag altijd veiligheidshandschoenen tijdens het bijvullen van de brandstof. Zorg dat u de beschermende kleding regelmatig vervangt en reinigt.
- Wees voorzichtig geen brandstof of olie te morsen om bodemverontreiniging te voorkomen (milieubescherming). Reinig de benzinebosmaaier onmiddellijk nadat brandstof erop is gemorst.
- Vermijd dat brandstof in aanraking komt met uw kleding. Kleed u onmiddellijk om als brandstof op uw kleding is gemorst (om te voorkomen dat de kleding vlam vat).
- Inspecteer de brandstofvuldop regelmatig om zeker te zijn dat de dop stevig kan worden aangedraaid en niet lekt.
- Draai de dop van de brandstoftank stevig vast. Verplaats de maaier voordat u de motor start (tenminste 3 meter afstand tot de plaats waar brandstof is bijgevuld).
- Vul nooit brandstof bij in een gesloten vertrek. Brandstofdampen verzamelen zich vlak boven de vloer (kan op explosie.)
- Vervoer en bewaar brandstof alleen in goedgekeurde tanks. Zorg dat de opgeslagen brandstof niet toegankelijk is voor kinderen.



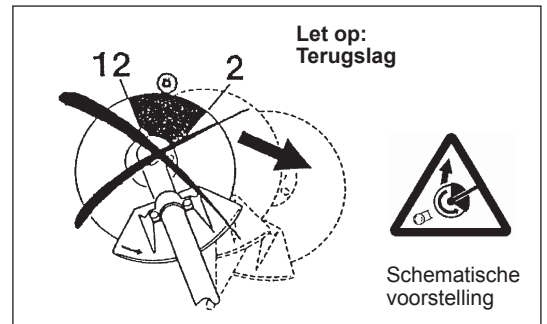
Gebruiksmethode

- Gebruik de benzinebosmaaier alleen bij een goede verlichting en zichtbaarheid. Wees in de winter bedacht op gladde of natte plaatsen, ijs en sneeuw (gevaar voor uitglijden). Zorg er altijd voor dat u stevig staat.
- Maai nooit boven heuphoogte.
- Sta nooit op een ladder terwijl u de benzinebosmaaier gebruikt.
- Klim nooit in een boom om daar de benzinebosmaaier te gebruiken.
- Werk nooit op een instabiele ondergrond.
- Verwijder zand, stenen, spijkers, enz., die u binnen uw werkbereik vindt. Vreemde voorwerpen kunnen het snijgarnituur beschadigen en gevaarlijke terugslagen veroorzaken.
- Voordat u begint te maaien, moet het snijgarnituur op maximaal toerental draaien.



Terugslag

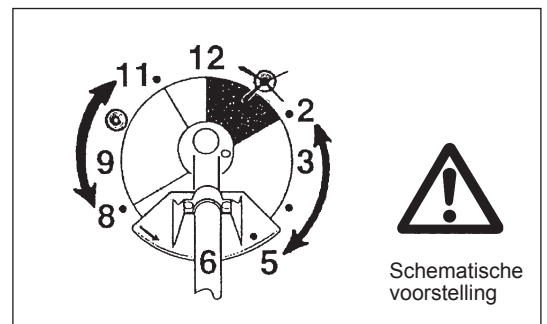
- Wanneer u de benzinebosmaaier gebruikt, kan een ongecontroleerde terugslag optreden.
- Dit is met name het geval wanneer u begint met maaien binnen het snijbladsegment van de benzinebosmaaier tussen 12 en 2 uur.
- Begin nooit met maaien binnen het segment tussen 12 en 2 uur op het snijblad van de benzinebosmaaier.
- Zorg ervoor dat dit snijbladsegment van de benzinebosmaaier nooit in aanraking komt met harde voorwerpen, zoals stuiken, bomen, enz., met een diameter van 3 cm of meer omdat anders de benzinebosmaaier met grote kracht wordt teruggeslagen met kans op letsel.



Terugslag voorkomen

Houd rekening met het volgende om terugslag te voorkomen:

- Maaien binnen het snijbladsegment tussen 12 en 2 uur levert risico op, met name bij gebruik van metalen snijgarnituur.
- Maaien binnen het snijbladsegment tussen 11 en 12 uur of tussen 2 en 5 uur mag alleen worden uitgevoerd door opgeleide en ervaren gebruikers, en dit alleen op eigen risico. Gemakkelijk maaien met nagenoeg geen kans op terugslag is mogelijk binnen het snijbladsegment tussen 8 en 11 uur.

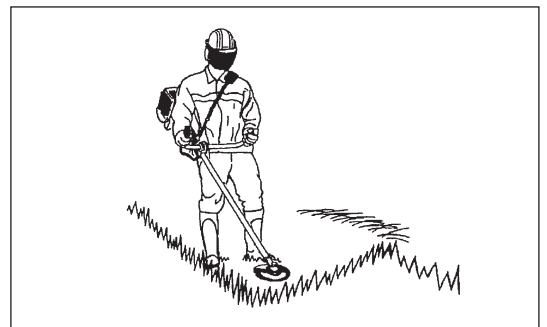


Snijgarnituren

Gebruik uitsluitend het juiste snijgarnituur voor de geplande werkzaamheden.

MS-335.4 U met metalen snijblad of nylondraad-maaikop

Voor het maaien van dik materiaal, zoals onkruid, hoog gras, struiken, heesters, kreupelhout, ondergroei, enz. (max. 2 cm diameter). U kunt maaien door de benzinebosmaaier gelijkmatig in halve cirkels van rechts naar links te zwaaien (op de manier waarop u een zeis gebruikt).



Onderhoudsinstructies

- De toestand van de maaier, met name van het snijgarnituur en de veiligheidsuitrusting, naast de schouderriem, moeten worden gecontroleerd voor aanvang van de werkzaamheden. Besteed bijzondere aandacht aan de snijbladen die correct moeten worden geslepen.
- Schakel de motor uit en trek de bougiekap eraf wanneer u het snijgarnituur vervangt of slijpt, en wanneer u de maaier of het snijgarnituur schoonmaakt.

Probeer nooit beschadigde snijgarmenten recht te trekken of te lassen.

- Gebruik de benzinebosmaaier met zo weinig mogelijk lawaai en vervuiling. Controleer met name de carburator op een verkeerde afstelling.
- Maak de benzinebosmaaier regelmatig schoon en controleer of alle bouten en moeren stevig zijn vastgedraaid.
- Onderhoud of bewaar de benzinebosmaaier niet in de buurt van open vuur.
- Bewaar de benzinebosmaaier altijd in een afgesloten ruimte en met een leeggemaakte brandstoftank.



Volg de relevante instructies voor het voorkomen van ongevallen die door de relevante beroepsverenigingen en verzekeringsmaatschappijen zijn uitgegeven.

Breng geen wijzigingen aan de benzinebosmaaier aan, omdat u op die manier uw veiligheid in gevaar brengt.

Het uitvoeren van onderhoud of reparaties door de gebruiker is beperkt tot de activiteiten die in de gebruiksaanwijzing zijn beschreven. Alle andere werkzaamheden moet worden uitgevoerd door een erkend servicecentrum. Gebruik uitsluitend originele vervangingsonderdelen en accessoires die zijn vervaardigd en geleverd door DOLMAR.

Het gebruik van niet-goedgekeurde accessoires en gereedschappen leidt tot een verhoogde kans op ongevallen.

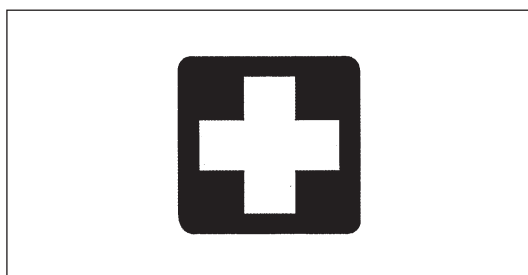
DOLMAR aanvaardt geen enkele aansprakelijkheid voor ongevallen of schade veroorzaakt door het gebruik van niet-goedgekeurde snijgarmenten, bevestigingsmiddelen voor snijgarmenten of accessoires.

EHBO

Zorg dat er altijd een EHBO-does beschikbaar is in de buurt waar er wordt gemaaid om eerste hulp te bieden bij eventuele ongevallen. Vervang onmiddellijk elk item dat uit de EHBO-does is genomen.

Geef de volgende informatie wanneer u hulp inroept:

- Plaats van het ongeval
- Beschrijving van het ongeval
- Aantal gewonden
- Soort letsels
- Uw naam



Verpakking

De benzinebosmaaier van DOLMAR wordt geleverd in twee beschermende kartonnen dozen om schade tijdens het transport te voorkomen. Karton is een ruw basismateriaal en kan daarom opnieuw worden gebruikt en is geschikt om te recycelen (recyclen papierafval).



EC-VERKLARING VAN CONFORMITEIT

Model MS-335.4 U

Wij verklaren onder eigen verantwoordelijkheid dat dit product voldoet aan de normen van de richtlijnen 2004/108/EC, 2000/14/EC en 98/37/EC tot en met 28 december 2009, en daarna aan de normen van de richtlijn 2006/42/EC vanaf 29 december 2009.

De meest belangrijke normen die zijn toegepast om te voldoen aan de bovenvermelde richtlijnen zijn: EN11806, EN55012.

Gemeten geluidsvermogen 109,7 dB (A)

Garantie geluidsvermogen: 112 dB (A)

Deze geluidsvermogenenniveaus zijn gemeten volgens Richtlijn van de Raad, 2000/14/EC.

Conformiteit-beoordelingsprocedure: Bijlage V.

19. DEC. 2008

Tamiro Kishima
Hoofddirecteur

Rainer Bergfeld
Hoofddirecteur

Verantwoordelijke fabrikant:

Makita Corporation

3-11-8, Sumiyoshi-cho, Anjo, Aichi, JAPAN

Erkende vertegenwoordiger in Europa:

DOLMAR GmbH

Jenfelder Str. 38, 22045 Hamburg, Germany

TECHNISCHE GEGEVENS - MS-335.4 U

Model		MS-335.4 U		
		Handgreep		
Afmetingen: lengte x breedte x hoogte (zonder snijblad)	mm	1.810 x 620 x 500		
Gewicht (zonder kunststofbeschermkap en snijblad)	kg	7,1		
Volume (brandstoftank)	l	0,65		
Volume (olietank)	l	0,1		
Cilinderinhoud	cm ³	33,5		
Maximaal motorvermogen ISO8893	kW	1,07 bij 7.000 min ⁻¹		
Maximaal astoerental	min ⁻¹	6.850		
Motortoerental bij aanbevolen maximaal astoerental	min ⁻¹	10.000		
Brandstofverbruik op maximaal motorvermogen ISO8893	kg/u	0,458		
Specifiek brandstofverbruik op maximaal motorvermogen	g/kwh	426		
Motortoerental bij stationair draaien	min ⁻¹	3.000		
Toerental op aangrijppunt van koppeling	min ⁻¹	4.100		
Carburator (membraancarburator)	type	WALBRO WYL		
Ontstekingssysteem	type	Transistorontsteking		
Bougie	type	NGK CMR4A		
Elektrodenafstand	mm	0,7 - 0,8		
Trilling volgens ISO 22867 ¹⁾	Rechterhandgreep (Achterste handvat)	Stationair toerental	m/s ²	1,34
		Maximaal toerental of volledig geopende gasklep	m/s ²	4,39
	Linkerhandgreep (Voorste handvat)	Stationair toerental	m/s ²	1,28
		Maximaal toerental of volledig geopende gasklep	m/s ²	3,26
Gemiddeld geluidsdrukniveau volgens ISO 22868 ¹⁾	dB (A)	98,2		
Gemiddeld geluidsvermogeniveau volgens ISO 22868 ¹⁾	dB (A)	106,7		
Brandstof		Benzine voor auto's		
Motorolie		SAE 10W-30 olie volgens API-classificatie, SF-klasse of beter (viertaktmotorolie voor auto's)		
Snijgarnituren (diameter snijblad)	mm	305 (met drie tanden)		
Overbrengingsverhouding		13/19		

1) De gegevens zijn berekend rekening houdend met gebruiksmethoden waarbij stationair toerental en maximaal toerental bij volledig geopend gasklep worden gebruikt.

DE HANDGRIEP MONTEREN

LET OP: Voordat u werkzaamheden uitvoert aan de benzinebosmaaier, moet u altijd de motor uitschakelen en de bougiekap van de bougie aftrekken.

Draag altijd veiligheidshandschoenen.

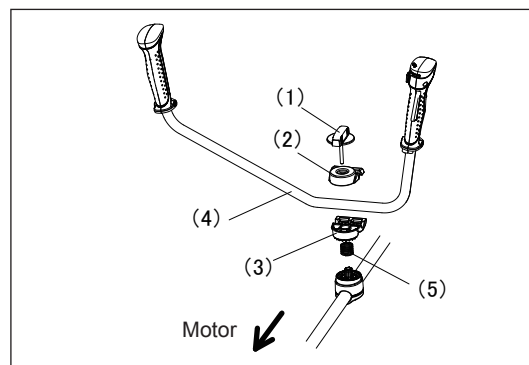
LET OP: Start de benzinebosmaaier pas nadat deze geheel in elkaar is gezet.



Voor gereedschappen met een fietsstuur-type handgreep

- Draai knop (1) los.
- Plaats de handgreep (4) tussen de handgriepklem (2) en de handgriepvoet (3).
- Stel de handgreep (4) af onder een hoek die u een comfortabele werkhouding biedt en zet deze daarna vast door de knop (1) met de hand vast te draaien.

LET OP: Vergeet niet om de veer (5) te plaatsen.



DE BESCHERMKAP MONTEREN

In naleving van de toepasselijke veiligheidsregels mogen uitsluitend de gereedschap/beschermkap-combinaties worden gebruikt die in de afbeelding worden aangegeven.



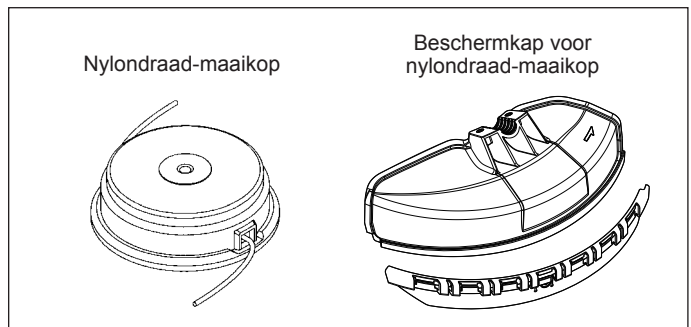
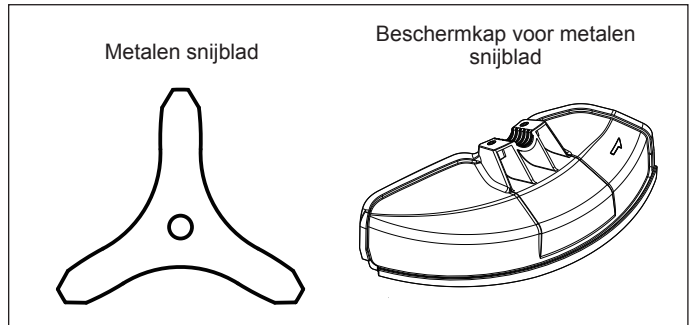
Verzeker u ervan uitsluitend originele snijbladen of nylondraad-maaikoppen van DOLMAR te gebruiken.

- Het snijblad moet goed geslepen zijn en vrij zijn van barsten of breuken. Als het snijblad tijdens het gebruik een steen raakt, moet u de motor onmiddellijk uitschakelen en het snijblad controleren.
- Het snijblad na elke drie uur gebruik worden geslepen of vervangen.
- Als de nylondraad-maaikop tijdens het gebruik een steen raakt, moet u de motor onmiddellijk uitschakelen en de nylondraad-maaikop controleren.

LET OP: Voor uw veiligheid en om te voldoen aan de voorschriften voor ongevalpreventie, moet u altijd de geschikte beschermkap installeren.

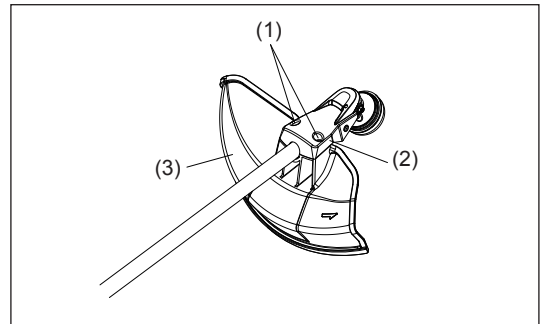
Het is verboden het gereedschap te gebruiken zonder dat de beschermkap is gemonteerd.

De buitendiameter van het snijblad moet 255 mm (10") zijn. Snijbladen met een buitendiameter van 305 mm (12") mogen alleen gebruikt worden als ze drie tanden hebben.



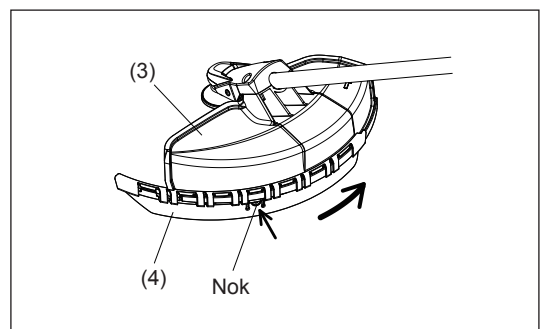
- Bij gebruik van het metalen snijblad, monteer de beschermkap (3) met behulp van de twee bouten M6 x 30 (1) op de klem (2).

OPMERKING: Draai de linker- en rechterbout gelijkmatig vast zodat de opening tussen de klem (2) en de beschermkap (3) evenwijdig blijft.
Als u dit niet doet, is het mogelijk dat de beschermkap niet werkt zoals bedoeld.



- In het geval de nylondraad-maaikop wordt gebruikt, moet u de beschermkap van de nylondraad-maaikop (4) monteren op de beschermkap van het metalen snijblad (3).
- Monteer de beschermkap van de nylondraad-maaikop (4) door de middelste nok in te drukken en het geheel vervolgens op zijn plaats te schuiven vanaf de zijkant van de beschermkap van het metalen snijblad (3).
- Haal de tape af van het mesje voor het afsnijden van de nylondraad op de beschermkap van de nylondraad-maaikop (4).

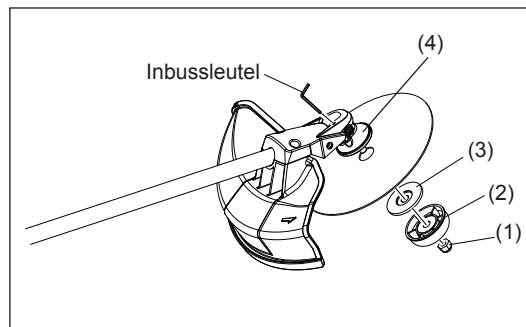
LET OP: Duw de beschermkap van de nylondraad-maaikop (4) erop tot deze geheel op zijn plaats zit.
Wees voorzichtig uzelf niet te verwonden aan het mesje voor het afsnijden van de nylondraad.



HET SNIJGARNITUUR MONTEREN

Draai het gereedschap ondersteboven zodat u het metalen snijblad of de nylondraad-maaikop gemakkelijk kunt vervangen.

- Steek de inbussleutel in de opening van het tandwielhuis en draai de ontvangerring (4) met de inbussleutel tot deze vergrendeld wordt.
- Maak de moer (1) (met linksdraaiend schroefdraad) los met de dopsleutel en verwijder de moer (1), de beker (2) en de klemring (3).



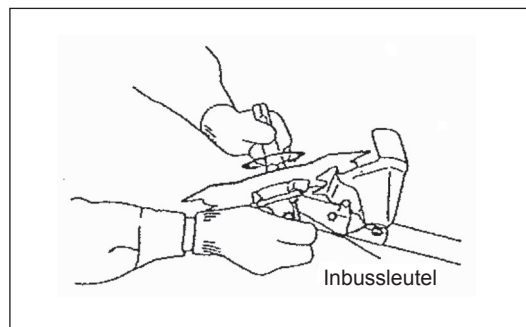
Het snijblad monteren

Terwijl de inbussleutel nog op zijn plaats zit.

- Monteer het snijblad op de schacht zodat de nok op de ontvangerring (4) past in de uitsparing in het asgat van het snijblad. Monteer de klemring (3), beker (2) en zet het snijblad vast met de moer (1).
[Aanhaalkoppel: 13 - 23 N-m]

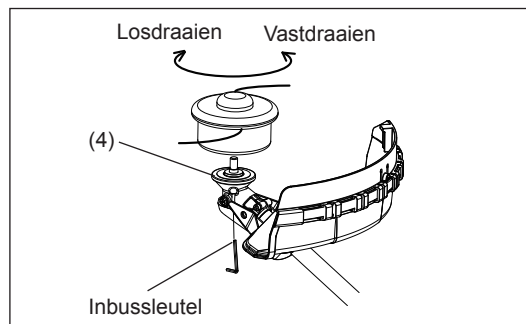
OPMERKING: Draag altijd veiligheidshandschoenen wanneer u het snijblad hanteert.

OPMERKING: De bevestigingsmoer van het snijblad (met veering) is een verbruiksartikel. Als u slijtage of vervorming van de veering opmerkt, moet u de moer vervangen.

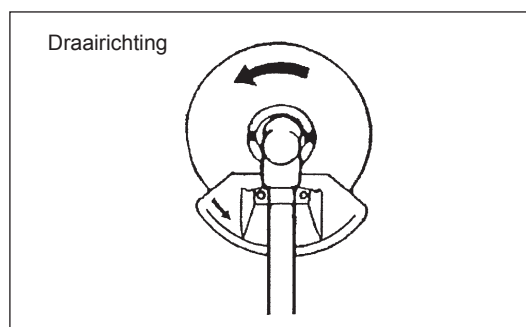


De nylondraad-maaikop monteren

- De klemring (3), de beker (2) en de moer (1) zijn niet nodig voor het monteren van de nylondraad-maaikop. De nylondraad-maaikop moet bovenop de ontvangerring komen (4).
- Steek de inbussleutel in de opening van het tandwielhuis en draai de ontvangerring (4) met de inbussleutel tot deze vergrendeld wordt.
- Schroef daarna de nylondraad-maaikop op de as door deze linksom te draaien.
- Haal de inbussleutel eruit.



- Zorg ervoor dat het snijblad met de goede kant omhoog wijst.



VÓÓR HET BEGIN VAN HET WERK

Controleren en bijvullen van de motorolie

- Voer de volgende procedure uit bij koude motor.
- Houd de motor horizontaal, verwijder de oliepeilstok en controleer of het oliepeil tussen de bovenste en onderste merktekens staat. Als het oliepeil zo laag staat dat alleen de punt van de peilstok de olie raakt, ook wanneer de oliepeilstok in het motorblok is gestoken zonder deze vast te draaien (zie afb. 1), vult u via de olievulopening nieuwe olie bij (zie afb. 2).
- Ter informatie, na ongeveer iedere 15 bedrijfsuren moet olie worden bijgevuld (bijvulfrequentie: 15 keer). Als de olie door vuil van kleur is veranderd, ververs u de vuile olie door nieuwe. (Raadpleeg pagina 111 en 112 voor informatie over de verversingsinterval en verversingsprocedure)

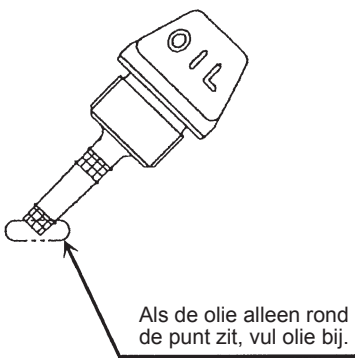
Aanbevolen olie: SAE 10W-30 olie van API-classificatie, SF-klasse of beter (4-taktmotorolie voor auto's)

Hoeveelheid olie: Ongeveer 0,1 liter

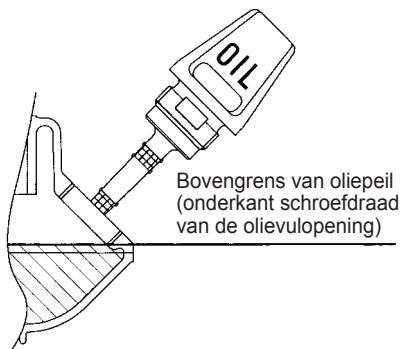
Opmerking: Als de motor niet horizontaal wordt gehouden, kan de olie binnenin de motor terecht komen en te veel worden bijgevuld. Als de olie tot boven het bovenste merkteken wordt bijgevuld, kan de olie gemorst worden en vlam vatten waarbij witte rook vrijkomt.

Tip 1 bij het verversen van de olie: "Oliepeilstok"

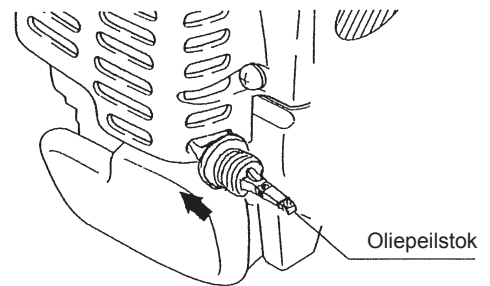
- Verwijder stof of vuil rondom de olievulopening en draai de oliepeilstok eruit.
- Zorg ervoor dat geen zand of stof op de oliepeilstok komt. Als dit toch gebeurt, kan het zand of stof dat aan de oliepeilstok kleeft leiden tot een onregelmatige oliecirculatie of slijtage van de motoronderdelen, waardoor storingen kunnen ontstaan.
- Een manier om de oliepeilstok schoon te houden is om de draaiknop van de oliepeilstok in de motorafdekking te steken, zoals aangegeven in afbeelding 3.



Afbeelding 1

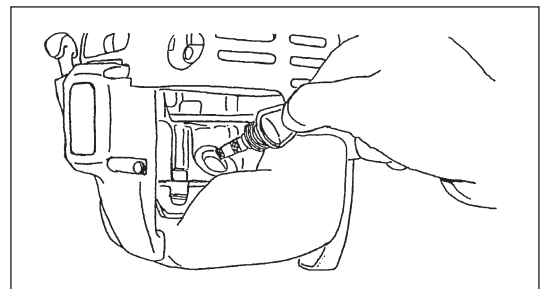


Afbeelding 2

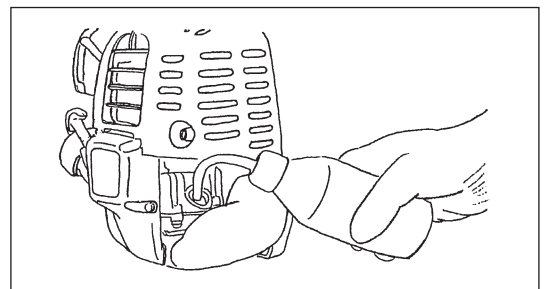


Afbeelding 3

(1) Houd de motor horizontaal en draai de oliepeilstok eruit.



(2) Vul de olie bij tot aan de rand van de olievulopening. (Zie afb. 2).
Vul olie bij vanuit een olievulfles.



(3) Draai de oliepeilstok stevig vast. Bij onvoldoende vastdraaien kan olie eruit lekken.

Tip 2 bij het verversen van de olie: "Olielekkage"

- Als olie eruit lekt tussen de brandstoftank en het motorblok, wordt de olie via de koelluchtinlaatopening naar binnen gezogen waardoor de motor verontreinigd raakt. Veeg gelekte olie af voordat u met het werk begint.

BRANDSTOF BIJVULLEN

Omgaan met brandstof

Het is noodzakelijk uiterst voorzichtig om te gaan met brandstof. Brandstof kan stoffen bevatten die ook in oplosmiddelen voorkomen. Het bijvullen van brandstof moet gebeuren in een vertrek met een voldoende goede ventilatie of in de open lucht. Adem nooit brandstofdampen in en houd afstand tot de brandstof. Als uw huid herhaaldelijk in aanraking komt met brandstof gedurende een lange tijd, wordt uw huid droog, waardoor een huidziekte of allergie kan ontstaan. Als brandstof in uw oog komt, spoelt u uw oog uit met schoon water. Als uw oog daarna blijft irriteren, raadpleegt u een dokter.

Opslagtermijn van brandstof

Brandstof dient binnen een periode van 4 weken te worden opgebruikt, ook wanneer de brandstof wordt bewaard in een speciale jerrycan op een goed geventileerde plaats in de schaduw.

Als geen speciale jerrycan wordt gebruikt, of als de brandstof in een open bak wordt bewaard, kan de brandstof binnen één dag verslechteren.

OPSLAG VAN MAAIER EN JERRYCAN

- Bewaar de maaier en jerrycan op een koele plaats uit direct zonlicht.
- Bewaar de brandstof nooit in de passagiersruimte of bagageruimte van een auto.

Brandstof

De motor is een viertaktmotor. Gebruik uitsluitend benzine voor auto's (normale benzine of superbenzine).

Tips voor het omgaan met brandstof

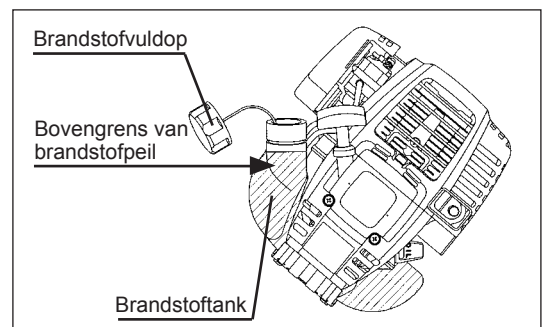
- Gebruik nooit mengsmering, waarin motorolie zit. Als u dat doet, zal buitensporige koolafzetting of mechanische storing optreden.
- Als verslechterde olie wordt gebruikt, zal dat leiden tot onregelmatig starten.

Brandstof bijvullen

WAARSCHUWING: STRENG VERBODEN VOOR ONTBRANDBARE MATERIALEN

Gebruikte benzine: Benzine voor auto's (loodvrije benzine)

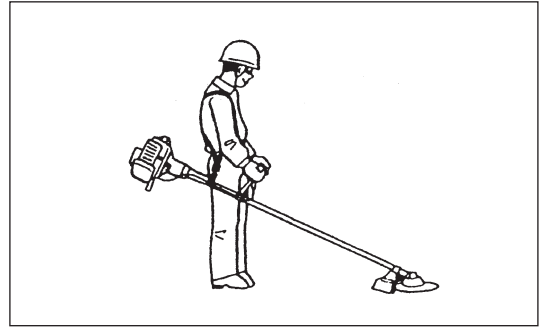
- Draai de brandstofvuldop een klein stukje los zodat een verschil in luchtdruk wordt opgeheven.
 - Draai de brandstofvuldop eraf, vul brandstof bij en laat de lucht uit de brandstoftank stromen door de brandstoftank iets te kantelen zodat de brandstofvulopening recht omhoog wijst. (Vul nooit brandstof bij via de olievlopening.)
 - Veeg rondom de brandstofvuldop goed schoon om te voorkomen dat vreemde stoffen in de brandstoftank kunnen vallen.
 - Na het bijvullen van brandstof draait u de brandstofvuldop weer vast.
- Als enige onvolkomenheid of schade aan de brandstofvuldop wordt geconstateerd, moet deze worden vervangen.
 - De brandstofvuldop is een verbruiksartikel en moet daarom iedere twee tot drie jaar worden vervangen.



CORRECTE HANTERING

De schouderriem bevestigen

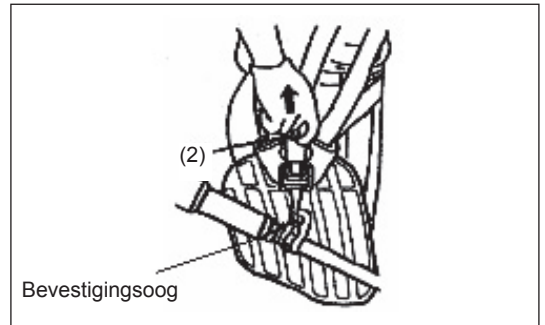
- Pas de lengte van de schouderriem zo aan, dat het snijblad parallel aan de grond kan worden gehouden.



Losmaken

- In geval van nood trekt u met een vinger hard aan de noodhendel (2). Het gereedschap komt dan los van de schouderriem en uw lichaam. Let er goed op dat u op dat moment de controle over het gereedschap behoudt. Zorg ervoor dat het gereedschap zich niet in uw richting of in de richting van iemand die in de buurt staat beweegt.

WAARSCHUWING: Als u geen complete controle over het gereedschap behoudt, kan dit ernstige lichamelijke letsels of de DOOD veroorzaken.



TIPS VOOR GEBRUIK EN PROCEDURE VOOR STOPPEN

Volg de toepasselijke voorschriften voor ongevallenpreventie!

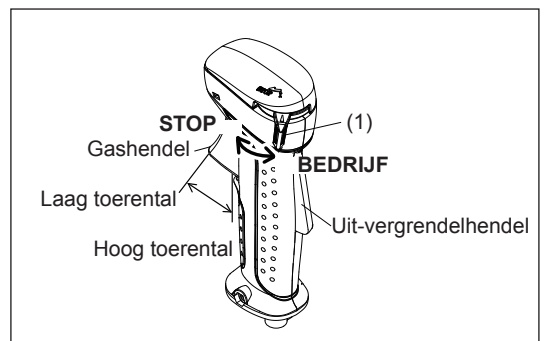


STARTEN

Houd tenminste 3 meter afstand tot de plaats waar brandstof is bijgevuld. Plaats de benzinebosmaaier op een schoon stuk grond en zorg ervoor dat de snijgarnituur de grond of andere voorwerpen niet raakt.

A: Startprocedure bij koude motor

- 1) Plaats het gereedschap op een vlakke ondergrond.



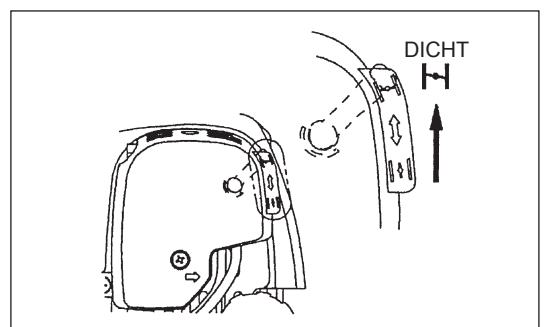
- 2) Zet de stopschakelaar (1) in de stand I (bedrijf).

- 3) Chokehendel

Zet met de chokehendel de choke dicht.

Choke:

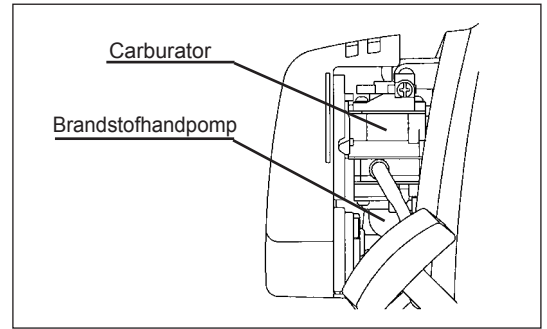
- Volledig open bij lage temperaturen of wanneer de motor koud is.
- Volledig of half dicht bij opnieuw starten van de motor direct na het uitschakelen.



4) Brandstofhandpomp

Blijf op de brandstofhandpomp drukken tot de brandstof in de brandstofhandpomp stroomt. (Over het algemeen stroomt de brandstof in de brandstofhandpomp na 7 tot 10 keer duwen.)

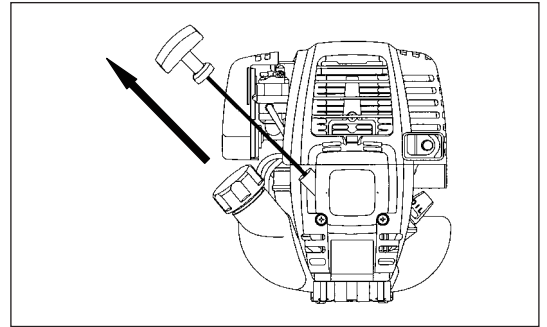
Als te vaak op de brandstofhandpomp wordt gedrukt, vloeit het overschot aan brandstof terug naar de brandstoftank.



5) Trekstartinrichting

Trek voorzichtig aan de trekstarthandgreep tot u weerstand voelt (compressiepunt). Laat de trekstarthandgreep terugtrekken en trek er vervolgens krachtig aan.

Trek nooit door tot aan het einde van het trekstartkoord. Nadat aan de trekstarthandgreep is getrokken, mag u hem niet onmiddellijk loslaten. Houd de trekstarthandgreep vast tot het trekstartkoord is opgewonden in de trekstartinrichting.



6) Chokehendel

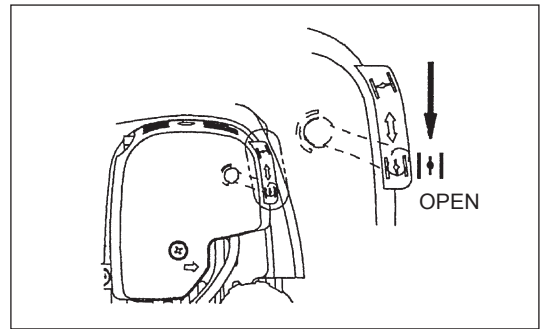
Nadat de motor is aangeslagen, zet u de choke open.

– Zet de choke geleidelijk open terwijl u op het motortoerental let. Zorg ervoor dat op het laatst de choke volledig open staat.

– Bij lage temperaturen of wanneer de motor koud is, mag u de choke nooit plotseling open zetten. Als u dit doet kan de motor afslaan.

7) Opwarmen

Laat de motor gedurende 2 tot 3 minuten opwarmen.



Opmerking: – Als de gashendel herhaaldelijk wordt ingeknepen terwijl de chokehendel in de dichte stand staat, zal de motor niet gemakkelijk starten vanwege een overmatige brandstoftoevoer.

– In geval van een overmatige brandstoftoevoer, verwijdert u de bougie en trekt u langzaam aan de trekstarthandgreep om overtollige brandstof te verwijderen. Maak ook het elektrodengedeelte van de bougie droog.

Opgelet tijdens gebruik:

Als de gashendel volledig wordt ingeknepen tijdens onbelast bedrijf, neemt het motortoerental toe tot meer dan 10.000 toeren min^{-1} of meer. Laat de motor nooit draaien op een hoger toerental dan nodig is en met een toerental van 6.000 tot 8.500 toeren min^{-1} .

B: Startprocedure bij warme motor

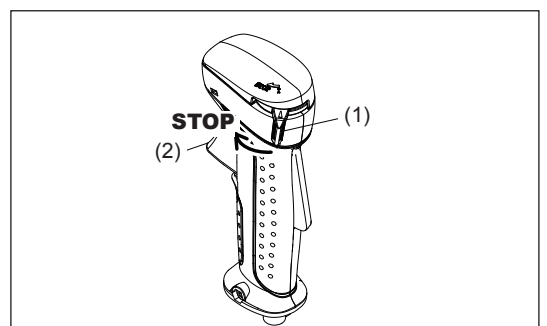
- 1) Druk herhaaldelijk op de brandstofhandpomp.
- 2) Laat de chokehendel in de stand voor stationair draaien staan.
- 3) Trek krachtig aan de trekstarthandgreep.
- 4) Als de motor moeilijk te starten is, zet u de chokehendel ongeveer 1/3 open. Let goed op het snijblad dat kan gaan draaien.

Waarschuwing bij de bediening

Als de motor ondersteboven wordt gebruikt, kan witte rook uit de uitlaatpijp komen.

STOPPEN

- 1) Laat de gashendel (2) volledig los en, nadat het motortoerental is afgenomen, duw de stopschakelaar (1) naar de stand "STOP" om de motor uit te schakelen.
- 2) Bedenk dat het snijgarnituur wellicht niet onmiddellijk stopt en laat het volledig uitdraaien.



De gashendel bedienen

Houd het gashendelhuis in uw hand vast (met de uit-vergrendelhendel ingeduwd) en knijp de gashendel in zodat het motortoerental toeneemt. Laat de gashendel los zodat het motortoerental afneemt. Laat het gashendelhuis los uit uw hand zodat de uit-vergrendelhendel automatisch terugveert en de gashendel niet per ongeluk kan worden ingeknepen.

Het motortoerental afstellen

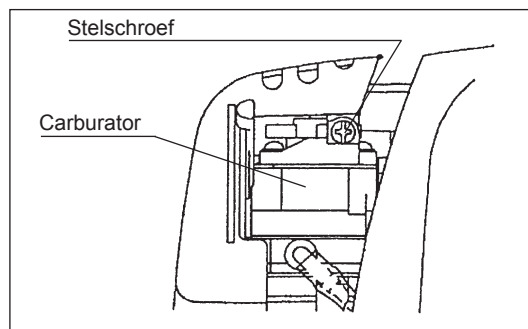
Als u het motortoerental wilt afstellen, knijpt u de gashendel helemaal in en draait u de gasregelschijf. Draai de gasregelschijf rechtsom om het motortoerental te verlagen. Draai de gasregelschijf linksom om het motortoerental te verhogen.

HET LAAG TOERENTAL (VOOR STATIONAIR DRAAIEN) AFSTELLEN

Als het nodig is het laag toerental (voor stationair draaien) af te stellen, doet u dit met behulp van de stelschroef op de carburator.

HET LAAG TOERENTAL CONTROLEREN

- Stel het laag toerental af op 3.000 toeren min^{-1} .
Als het nodig is het laag toerental af te stellen, draait u de stelschroef (links afgebeeld) met een kruiskopschroevendraaier.
- Draai de stelschroef rechtsom om het motortoerental te verhogen. Draai de stelschroef linksom om het motortoerental te verlagen.
- De carburator is over het algemeen goed afgesteld vóór aflevering aan de klant. Mocht het toch nodig zijn deze opnieuw af te stellen, neemt u contact op met een erkend servicecentrum.



HET SNIJGARNITUUR SLIJPEN

LET OP:

De hieronder vermelde snijgereedschappen mogen alleen worden geslepen door een bevoegd bedrijf. Het handmatig slijpen zal resulteren in onbalans van het snijgereedschap, waardoor trillingen zullen ontstaan en het gereedschap schade kan oplopen.

- snijblad
De erkende servicecentra bieden een professionele service voor het slijpen en uitbalanceren.

OPMERKING:

Om de levensduur van het snijblad te verlengen, kan dit eenmalig worden omgekeerd, totdat beide snijranden bot zijn geworden.

NYLONDRAAD-MAAIKOP

De nylondraad-maaikop is een dubbele-draadkop voor de benzinebosmaaier die is uitgerust met zowel een automatisch draadaanvoermecanisme als een stoot-aanvoermecanisme.

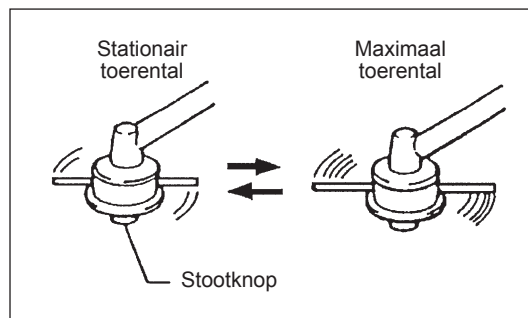
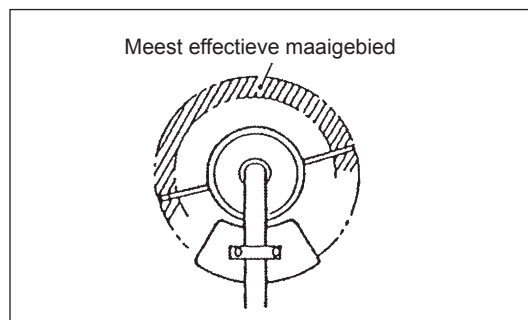
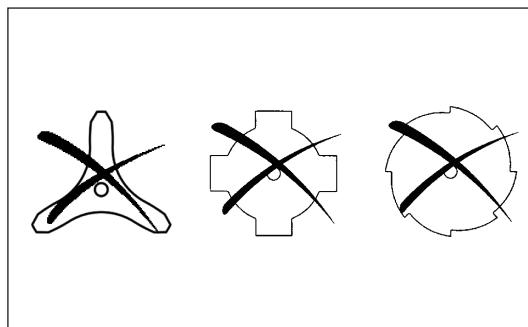
De nylondraad-maaikop voert automatisch de juiste lengte nylondraad aan overeenkomstig van veranderingen in de centrifugale kracht die wordt veroorzaakt door een toenemend of afnemend toerental. Om zacht gras efficiënter te maaien, stoot u de nylondraad-maaikop tegen de grond om extra nylondraad aan te voeren, zoals beschreven onder het kopje Bediening.

Bediening

- Verhoog het toerental van de nylondraad-maaikop naar ongeveer 6.000 toeren min^{-1} .
Een laag toerental (lager dan 4.800 toeren min^{-1}) is niet geschikt omdat de nylondraad bij een laag toerental niet goed aangevoerd wordt.
- Het meest effectieve maaigebied wordt aangegeven door het gearceerde deel in de afbeelding.

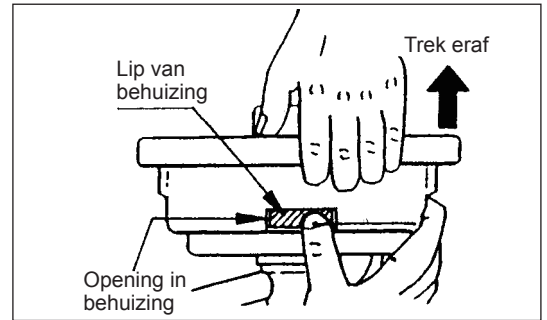
Ga als volgt te werk als de nylondraad niet automatisch wordt aangevoerd:

1. Laat de gashendel los zodat de motor stationair draait en knijp de gashendel vervolgens volledig in. Herhaal deze procedure tot de nylondraad tot de juiste lengte is aangevoerd.
2. Als de nylondraad te kort is om automatisch met behulp van de bovenstaande procedure aan te voeren, stoot u de stootknop van de snijkop tegen de grond om de nylondraad aan te voeren.
3. Als de nylondraad niet met behulp van procedure 2 kan worden aangevoerd, volgt u de procedures die zijn beschreven onder "De nylondraad vervangen" om de nylondraad opnieuw op te wikkelen of te vervangen.

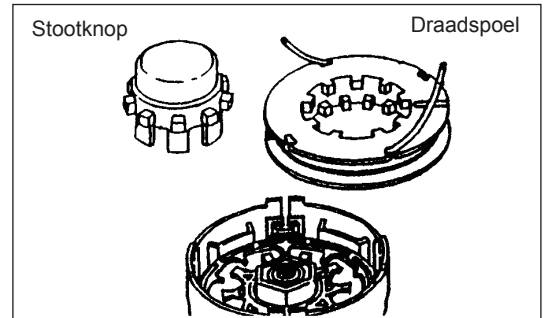


De nylondaad vervangen

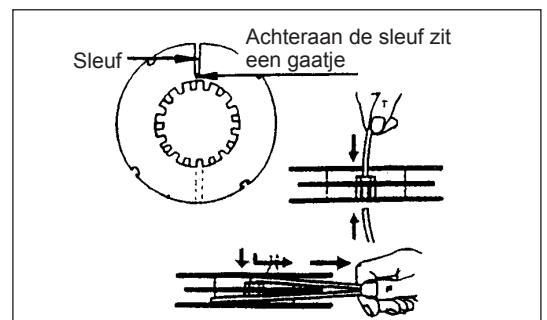
1. Druk de twee lippen op tegenovergestelde zijden van de behuizing in en trek de afdekking van de behuizing af.



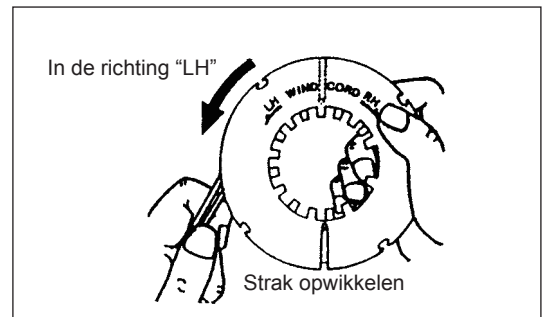
2. Haal de stootknop en draadspoel uit de behuizingsnaaf.



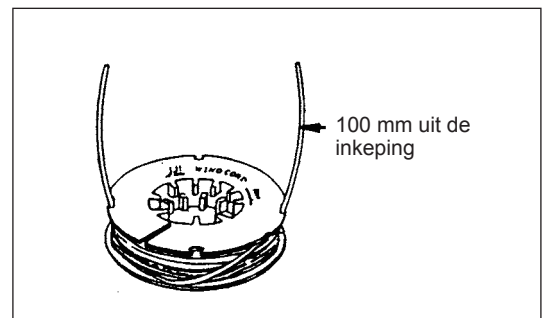
3. Steek van ieder van de twee nylonraden een uiteinde in het gaatje dat achteraan de sleuf zit in ieder van de buitenflenzen van de draadspoel. Trek de nylonraden door de sleuf in iedere buitenflens in de geulen van de draadspoel.



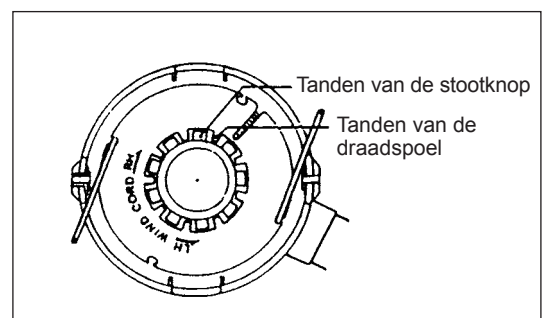
4. Wikkel de nylonraden strak op in de richting aangegeven door de linkerpijl (LH) op de buitenflens. Voorkom dat de nylonraden elkaar kruisen.



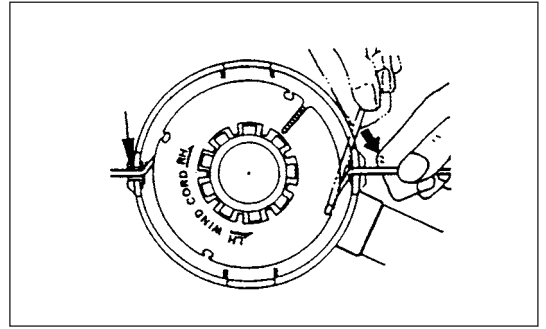
5. Wikkel op 100 mm (3-15/16") na de volledige lengte van de nylondraad op de draadspoel, en haak de uiteinden tijdelijk in de inkeping in de zijkant van de draadspoel.



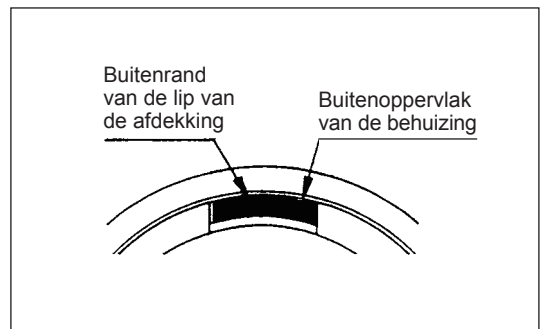
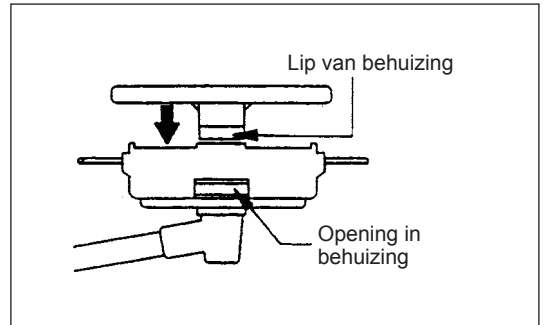
6. Plaats de stootknop zodanig in de behuizingsnaaf dat deze tegen de veerdruk in vrij op en neer kan bewegen. Leg de draadspoel zodanig in de behuizing dat de tanden op de draadspoel en op de stootknop in elkaar grijpen als tandwielen.



7. Trek de nylonraden door de gleuf van de oogjes.



8. Plaats de afdekking op de behuizing, lijn de lippen op de afdekking uit met de openingen in de behuizing. Zorg ervoor dat de afdekking nauwkeurig op de behuizing wordt bevestigd. De buitenrand van de lip van de afdekking en het buitenoppervlak van de behuizing moeten even hoog liggen.



ONDERHOUDSINSTRUCTIES

LET OP: Voordat u werkzaamheden uitvoert aan de benzinebosmaaier, moet u altijd de motor uitschakelen en de bougiekap van de bougie aftrekken (zie "De bougie controleren").
Draag altijd veiligheidshandschoenen.

Om een lange levensduur te garanderen en eventuele schade aan het gereedschap te voorkomen, moeten de volgende onderhoudswerkzaamheden regelmatig uitgevoerd worden.

Dagelijkse controle en onderhoud

- Controleer het gereedschap voor het gebruik op losse bouten of ontbrekende onderdelen. Let vooral op of het snijblad of de nylondraad-maaikop stevig is bevestigd.
- Controleer voor gebruik altijd op verstopping van de koelluchtinlaatopening en de koelribben van de cilinder. Maak deze plaatsen zo nodig schoon.
- Voer de volgende werkzaamheden dagelijks uit na het gebruik:
 - Reinig de buitenkant van de benzinebosmaaier en inspecteer op beschadigingen.
 - Maak het luchtfilter schoon. Als onder extreem stoffige omstandigheden wordt gewerkt, moet het filter meerdere keren per dag worden gereinigd.
 - Controleer het snijblad of de nylondraad-maaikop op beschadigingen en controleer of het snijblad of de maaikop stevig bevestigd is.
 - Controleer of er voldoende verschil is tussen het stationair toerental en het aangrijptoeental om zeker te zijn dat het snijgereedschap stilstaat wanneer de motor stationair draait (verlaag zo nodig het stationair toerental).
In het geval het snijgereedschap bij stationair toerental blijft draaien, neemt u contact op met het dichtstbijzijnde erkende servicecentrum.
- Controleer de werking van de stopschakelaar, de uit-vergrendelhendel, de gashendel, en de vergrendelingsknop.

MOTOROLIE VERVERSEN

Verslechterde motorolie verkort sterk de levensduur van de bewegende delen van de motor. Controleer het verversingsinterval en de bijvulhoeveelheid.



LET OP: Over het algemeen zijn de motor zelf en de motorolie heet kort nadat de motor is uitgeschakeld. Alvorens de motorolie te verversen, controleert u op de motor zelf en de motorolie voldoende zijn afgekoeld. Als u dit niet doet, bestaat de kans op verbranding.

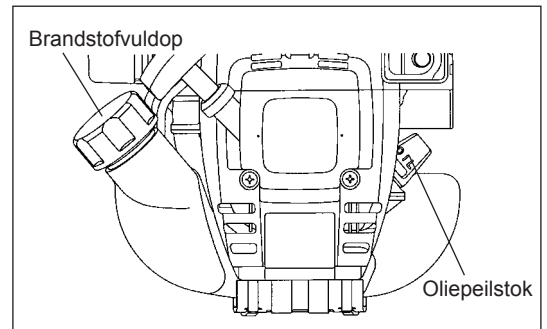
Opmerking: Als de olie tot boven het bovenste merkteken wordt bijgevuld, kan de olie gemorst worden en vlam vatten waarbij witte rook vrijkomt.

Verversingsinterval: In eerste instantie iedere 20 bedrijfsuren, en daarna iedere 50 bedrijfsuren

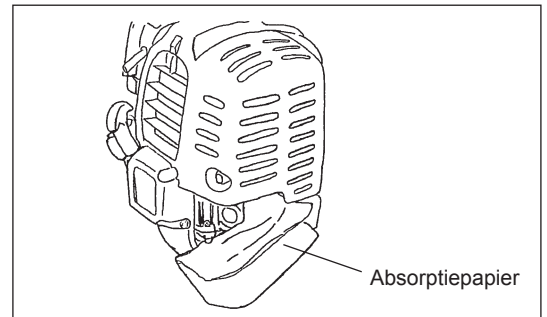
Aanbevolen olie: SAE 10W-30 olie van API-classificatie, SF-klasse of beter (4-taktmotorolie voor auto's)

Volg de onderstaande procedure om de olie te verversen.

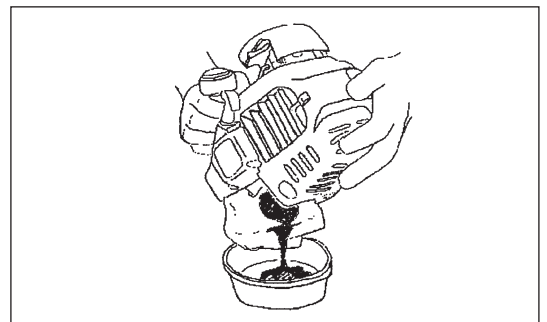
- 1) Controleer of de brandstofvuldop stevig vastgedraaid is.
- 2) Draai de oliepeilstok los en trek hem eruit.
Zorg ervoor dat de oliepeilstok schoon blijft.



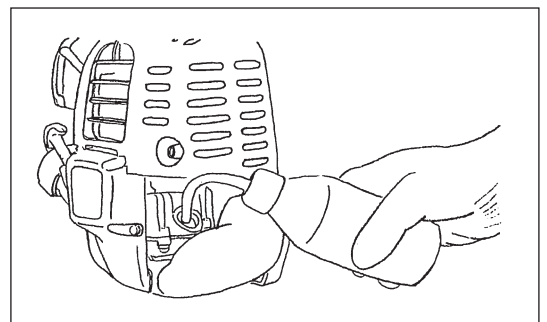
- 3) Leg absorptiepapier rondom de olieulopening.



- 4) Draai de oliepeilstok los, trek hem eruit, en tap de olie af door de motor te kantelen zodat de olieulopening onder zit. Laat de olie in een bak lopen zodat u de olie op de juiste wijze kunt weggoien.



- 5) Plaats de motor horizontaal en vul met nieuwe olie tot aan de rand van de olieulopening.
Gebruik voor het bijvullen een olieulfles.
- 6) Draai na het bijvullen de oliepeilstok stevig vast. Bij onvoldoende vastdraaien van de oliepeilstok kan olie eruit lekken.



TIPS VOOR HET OMGAAN MET OLIE

- Gooi verbruikte motorolie nooit weg met het afval, op de grond, of in een rioolput. Het weggooien van olie is bij wet geregeld. Houd u bij het weggooien altijd aan de betreffende wetten en regelgeving. In het geval u hierover vragen heeft, neemt u contact op met een erkend servicecentrum.
- Olie verslechtert, ook wanneer de olie niet wordt gebruikt. Controleer en ververs de olie regelmatig (ververs de olie iedere 6 maanden).

HET LUCHTFILTER REINIGEN



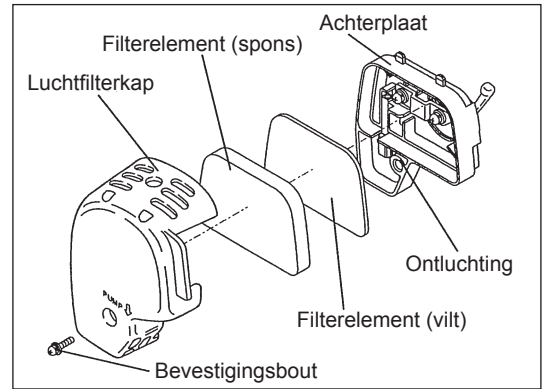
WAARSCHUWING: STRENG VERBODEN VOOR ONTBRANDBARE MATERIALEN

Controle- en reinigingsinterval: Dagelijks (iedere 10 bedrijfsuren)

- Zet met de chokehendel de choke helemaal dicht en houd de carburator vrij van stof of vuil.
- Verwijder de bevestigingsbout van de luchtfilterkap.
- Trek aan de onderrand van de luchtfilterkap en haal de luchtfilterkap eraf.
- Als er olie op het filterelement (spons) zit, knijpt u deze goed uit.
- In geval van ernstige verontreiniging:
 - 1) Verwijder het filterelement (spons), dompel het in warm water of in een oplossing van een neutraal schoonmaakmiddel in water, en droog het grondig.
 - 2) Reinig het filterelement (vilt) met benzine en droog het grondig.
- Alvorens het filterelement terug te plaatsen, moet het grondig droog zijn. Als het filterelement onvoldoende droog wordt teruggeplaatst, kan dat leiden tot moeilijk starten.
- Veeg olie die rondom de luchtfilterkap en achterplaat zit af met een poetsdoek.
- Onmiddellijk nadat het reinigen klaar is, plaatst u de luchtfilterkap terug en monteert u de bevestigingsbout. (Plaats bij het monteren eerst de bovenrand en daarna de onderrand.)

Tips voor het omgaan met het filterelement

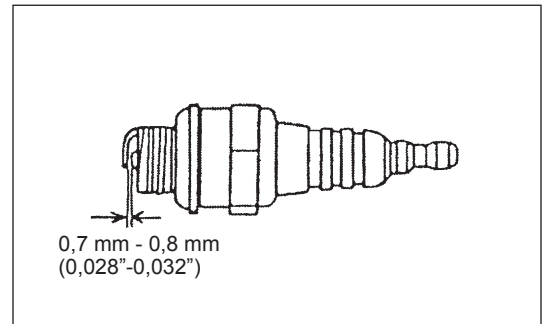
- Reinig het filterelement meerdere keren per dag als onder extreem stoffige omstandigheden wordt gewerkt.
- Als u blijft doorwerken terwijl het filterelement vervuild is met olie, kan de olie buiten het luchtfilter terechtkomen en tot olieverontreiniging leiden.



DE BOUGIE CONTROLEREN

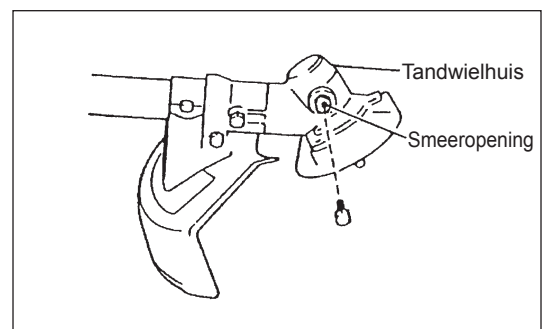
- Gebruik alleen de bijgeleverde moersleutel om de bougie te verwijderen of te installeren.
- De afstand tussen de twee elektroden van de bougie moet 0,7 tot 0,8 mm (0,028"-0,032") bedragen. Als de afstand te groot of te klein is, moet u deze aanpassen. Als de elektroden van de bougie verstopt of vervuild zijn, moet u deze grondig schoonmaken of de bougie vervangen.

LET OP: Raak de bougiekap nooit aan terwijl de motor draait (gevaar op elektrische schok door hoogspanning).



HET TANDWIELHUIS SMEREN

- Breng elke 30 bedrijfsuren smeervet (Shell Alvania 2 of gelijkwaardig) aan in het tandwielhuis via de smeeroening. (Origineel DOLMAR-smeervet kan worden aangeschaft bij uw DOLMAR-dealer.)



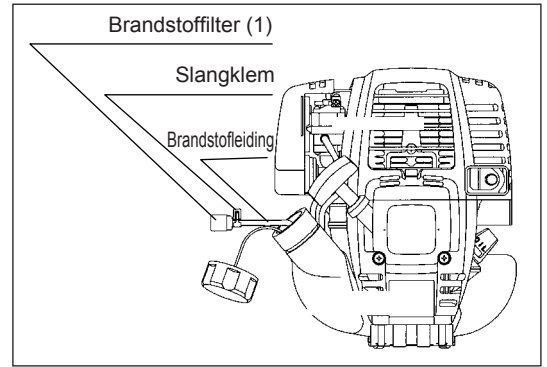
HET BRANDSTOFFILTER REINIGEN

WAARSCHUWING: STRENG VERBODEN VOOR ONTBRANDBARE MATERIELEN

Controle- en reinigingsinterval: Maandelijks (iedere 50 bedrijfsuren)

Zuigkop in brandstoftank

- Het brandstoffilter (1) op de zuigkop wordt gebruikt om de brandstof die door de carburator wordt aangezogen, te filteren.
- Het brandstoffilter moet regelmatig visueel worden gecontroleerd. Hiertoe draait u de brandstofvuldop eraf en gebruikt u een draadhaak om de zuigkop uit de brandstofvulopening te trekken. Als het brandstoffilter hard is geworden, of vervuild of verstopt is, moet het worden vervangen.
- Onvoldoende brandstoftoevoer kan ervoor zorgen dat het maximale toegelaten toerental wordt overschreden. Het is daarom belangrijk het brandstoffilter iedere drie maanden te vervangen om verzekerd te zijn van een goede brandstoftoevoer naar de carburator.



DE BRANDSTOFLEIDING VERVANGEN

LET OP: STRENG VERBODEN VOOR ONTBRANDBARE MATERIELEN

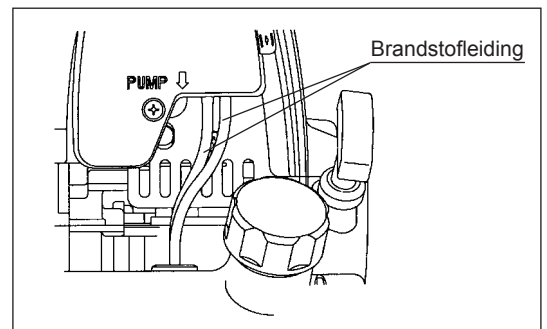
Controle- en reinigingsinterval: Dagelijks (iedere 10 bedrijfsuren)

Vervanging: Jaarlijks (iedere 200 bedrijfsuren)

Vervang de brandstofleiding ieder jaar, ongeacht de gebruiksfrequentie.

Brandstoflekkage kan brand veroorzaken.

Als tijdens de inspectie een lekkage wordt gevonden, vervangt u de brandstofleiding onmiddellijk.



DE BOUTEN, MOEREN EN SCHROEVEN INSPECTEREN

- Draai losse bouten, moeren, enz., weer vast.
- Controleer op brandstof- en olielekkage.
- Vervang beschadigde onderdelen door nieuwe voor een veilig gebruik.

DE ONDERDELEN REINIGEN

- Houd de motor altijd schoon.
- Houd de koelribben van de cilinder vrij van stof en vuil. Stof en vuil dat zich tussen de koelribben ophoopt, zal leiden tot het vastlopen van de zuiger.

DE AFDICHTINGEN EN PAKKINGEN VERVANGEN

Nadat de motor uit elkaar is gehaald, moeten bij het weer in elkaar zetten altijd de afdichtingen en pakkingen worden vervangen door nieuwe. Alle onderhouds- of aanpassingswerkzaamheden die niet in deze gebruiksaanwijzing zijn beschreven, mogen alleen worden uitgevoerd door erkende servicecentra.

OPSLAG



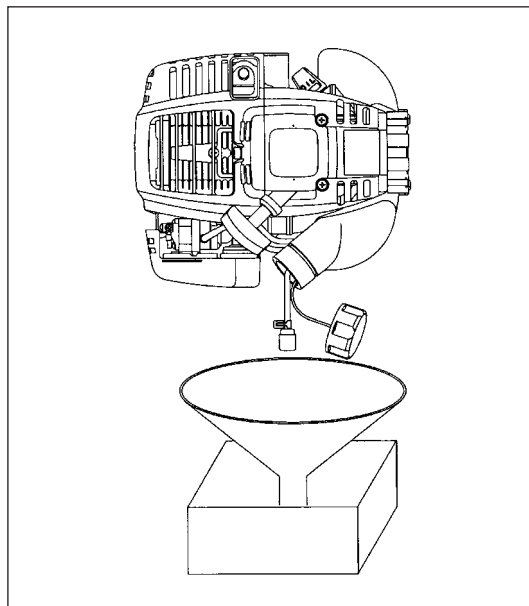
WAARSCHUWING: Controleer of de motor is uitgeschakeld en afgekoeld voordat u begint met het aftappen van de brandstof.

Vlak na het uitschakelen van de motor, is deze nog heet en kan brandwonden, ontbranding en brand veroorzaken.



LET OP: Als het gereedschap gedurende een lange tijd niet gebruikt gaat worden, tapt u alle brandstof uit de brandstoftank en carburator, en slaat u het op een droge, schone plaats op.

- Tap de brandstof af uit de brandstoftank en carburator aan de hand van de volgende procedure:
 - 1) Draai de brandstofvuldop eraf en tap de brandstof volledig af. Als een vreemde substantie is achtergebleven in de brandstoftank, verwijdert u deze volledig.
 - 2) Trek met behulp van een draadhaak het brandstoffilter uit de brandstofvulopening.
 - 3) Druk op de brandstofhandpomp totdat de brandstof daaruit en in de brandstoftank stroomt.
 - 4) Plaats het brandstoffilter terug in de brandstoftank en draai de brandstofvuldop stevig vast.
 - 5) Laat de motor vervolgens draaien tot deze afslaat.
- Verwijder de bougie en breng enkele druppels motorolie via het bougiegat in de cilinder.
- Trek voorzichtig aan de starthendel zodat de motorolie zich door de motor verspreidt, en monteer daarna de bougie weer.
- Bevestig de beschermkap op het snijblad.
- Tijdens opslag moet de schacht horizontaal liggen of het gereedschap verticaal geplaatst worden met het snijblad omhoog gericht. (Let er in dat geval goed op dat het gereedschap niet kan omvallen.) Plaats het gereedschap nooit met het snijblad omlaag gericht. De smeeroil kan er dan uitvloeien.
- Bewaar de afgetapte brandstof in een speciale jerrycan op een goed geventileerde plaats in de schaduw.



Aandachtspunt na langdurige opslag

- Alvorens de motor na langdurige stilstand opnieuw te starten, moet de olie worden ververs (zie pag. 110). De olie verslechtert terwijl het gereedschap niet in gebruik is.

Storingzoeken

Storing	Systeem	Waarneming	Oorzaak
Motor start niet of moeilijk	Ontstekingsstelsel	Ontstekingsvonk OK	Fout in brandstofvoeder of compressiestelsel, mechanisch defect
		Geen ontstekingsvonk	Stopschakelaar ingeschakeld, bedradingsfout of kortsluiting, bougie of bougiekap defect, ontstekingsmodule defect
	Brandstofvoeder	Brandstoftank vol	Onjuiste stand van chokehendel, carburator defect, brandstofleiding geknikt of verstopt, brandstof vuil
	Compressie	Geen compressie bij aantrekken	Cilindervoetpakking defect, krukasafdichtingen beschadigd, cilinder of zuigerveren defect, of slechte afdichting van bougie
Problemen bij starten van warme motor	Mechanisch defect	Starter wordt niet geactiveerd	Gebroken startveer, gebroken onderdelen binnenin de motor
		Brandstoftank vol, ontstekingsvonk aanwezig	Carburator vervuild. Laat schoonmaken
Motor start, maar slat af	Brandstofvoeder	Tank vol	Verkeerde afstelling stationair draaien, carburator vervuild
Onvoldoende prestaties	Mogelijk zijn meerdere systemen tegelijk de oorzaak	Slecht stationair draaien	Ontluchting brandstoftank defect, brandstofleiding niet open, gaskabel of stopschakelaar defect
			Luchtfilter vervuild, carburator vervuild, uitlaatdemper verstopt, uitlaatkanaal in de cilinder verstopt

Item	Bedrijfsuren	Voor gebruik	Na smeren	Dagelijks (10 uur)	30 uur	50 uur	200 uur	Langdurige opslag	Zie pagina
Motorolie	Inspecteren/ reinigen	○							105
	Vervang de bougie.					○*1			111
Vastdraaien (bouten, moeren, enz.)	Inspecteren	○							114
Brandstoftank	Reinigen/ inspecteren	○							—
	Brandstof aftappen							○*3	115
Gashendel	Werking controleren		○						—
Stopschakelaar	Werking controleren		○						108
Snijblad	Inspecteren	○		○					103
Laag toerental	Inspecteren/ afstellen			○					109
Luchtfilter	Reinig.			○					113
Bougie	Inspecteren			○					113
Koelluchtinlaatkanaal	Reinigen/ inspecteren			○					114
Brandstofleiding	Inspecteren			○					114
	Vervang de bougie.						◎*2		—
Smeervet in tandwielhuis	Bijvullen				○				113
Brandstoffilter	Reinigen/ vervangen					○			114
Afstand tussen luchtinlaatklep en luchtuitlaatklep	Stel af.						◎*2		—
Olieslang	Inspecteren						◎*2		
Motor reviseren							◎*2		—
Carburator	Brandstof aftappen							○*3	115

*1 Eerste keer verversen na 20 bedrijfsuren.

*2 Vraag een erkend servicecentrum of een machinewerkplaats om de inspectie na 200 bedrijfsuren uit te voeren.

*3 Na het aftappen van de brandstoftank, laat u de motor draaien om de brandstof in de carburator op te gebruiken.

PROBLEMEN OPLOSSEN

Alvorens een verzoek voor reparatie in te dienen, controleer u de storing zelf aan de hand van de onderstaande tabel. Als een probleem is gevonden, repareert u het gereedschap aan de hand van de beschrijvingen in deze gebruiksaanwijzing. Probeer nooit enig onderdeel te demonteren of repareren in strijd met de beschrijvingen. Voor reparatie neemt u contact op met een erkend servicecentrum of uw plaatselijke dealer.

Probleemomschrijving	Mogelijke oorzaak (storing)	Oplossing
Motor start niet	De brandstofhandpomp werd niet ingedrukt	Druk deze 7 tot 10 keer in
	Te zwak aantrekken van het startkoord	Trek krachtig
	Gebrek aan brandstof	Vul brandstof bij
	Verstopt brandstoffilter	Reinig
	Defecte brandstofleiding	Maak de brandstofleiding recht
	Verslechterde brandstof	De verslechterde brandstof bemoeilijkt het starten. Vervang de brandstof door nieuwe. (Aanbevolen vervangingsinterval: 1 maand)
	Buitensporige toevoer van brandstof	Verander de stand van de gashendel van middelhoog toerental naar hoog toerental en trek aan de trekstarthandgreep tot de motor start. Nadat de motor is gestart, begint het snijblad te draaien. Let goed op het snijblad. Als de motor nog steeds niet start, draait u de bougie eruit, maakt u de elektroden droog, en monteert u de bougie weer. Start vervolgens zoals beschreven.
	Bougiekap ligt eraf	Bevestig stevig
	Vervuilde bougie	Reinig
	Verkeerde elektrodenafstand van bougie	Stel de elektrodenafstand af
	Ander probleem met de bougie	Vervang de bougie
	Probleem met de carburator	Dien een verzoek in voor inspectie en onderhoud.
	Startkoord kan niet worden getrokken	Dien een verzoek in voor inspectie en onderhoud.
Probleem met aandrijving	Dien een verzoek in voor inspectie en onderhoud.	
Motor slaat snel af Motortoerental neemt niet toe	Onvoldoende opgewarmd	Warm de motor op
	Chokehendel staat in de dichte stand ondanks dat de motor opgewarmd is.	Zet in de geopende stand
	Verstopt brandstoffilter	Reinig
	Vervuild of verstopt luchtfilter	Reinig
	Probleem met de carburator	Dien een verzoek in voor inspectie en onderhoud.
	Probleem met aandrijving	Dien een verzoek in voor inspectie en onderhoud.
Snijblad draait niet ↓ Motor slaat onmiddellijk af	Bevestigingsmoer van snijblad zit los	Draai goed vast
	Takjes rond snijblad gewikkeld of verstopten beschermkap.	Verwijder vreemde voorwerpen
	Probleem met aandrijving	Dien een verzoek in voor inspectie en onderhoud.
Motorblok trilt abnormaal sterk ↓ Motor slaat onmiddellijk af	Snijblad is gebroken, verbogen of versleten	Vervang het snijblad
	Bevestigingsmoer van snijblad zit los	Draai goed vast
	Bolle deel van snijblad is verschoven ten opzichte van het steunvlak.	Bevestig stevig
	Probleem met aandrijving	Dien een verzoek in voor inspectie en onderhoud.
Snijblad stopt niet onmiddellijk ↓ Motor slaat onmiddellijk af	Hoog stationair toerental	Stel af
	Gaskabel losgeraakt	Bevestig stevig
	Probleem met aandrijving	Dien een verzoek in voor inspectie en onderhoud.
Motor slaat niet af ↓ Laat de motor stationair draaien en zet de chokehendel in de dichte stand	Stekker losgeraakt	Bevestig stevig
	Probleem met elektrisch systeem	Dien een verzoek in voor inspectie en onderhoud.

Als de motor niet start ondanks dat deze opgewarmd is:

Als bij het doorlopen van de controlepunten geen probleem wordt gevonden, zet u de chokehendel ongeveer 1/3 open en start u de motor.

Gracias por comprar la desbrozadora de DOLMAR. Nos complace recomendarle la desbrozadora, que es el resultado de un largo programa de desarrollo y muchos años de investigación y experiencia. Lea este folleto que explica en detalle los diferentes aspectos que demostrarán su excelente rendimiento. Le ayudará a obtener los mejores resultados posibles día desbrozadora de DOLMAR.



Tabla de contenido	Página
Símbolos.....	118
Instrucciones de seguridad.....	119
Datos técnicos.....	123
Denominación de las piezas.....	124
Montaje del asidero.....	125
Montaje del protector.....	126
Montaje de la cuchilla de corte o del cabezal de corte de nylon.....	127
Antes del uso.....	128
Manejo correcto de la máquina.....	130
Aspectos del manejo y cómo parar la máquina.....	130
Afilado de la herramienta de corte.....	132
Instrucciones de servicio.....	134
Almacenamiento.....	138

SÍMBOLOS

Cuando lea el manual de instrucciones se encontrará con los siguientes símbolos.

	Lea el manual de instrucciones y respete las advertencias y las precauciones de seguridad.		Utilice un casco de seguridad y protección para los ojos y oídos.
	Preste especial cuidado y atención.		Máxima velocidad permitida de la herramienta
	Prohibido.		Combustible (Gasolina)
	Mantenga la distancia.		Encendido manual del motor
	Peligro de que salgan despedidos objetos.		Parada de emergencia
	No fume.		Primeros auxilios
	No la acerque a llamas.		Reciclable
	Deben utilizarse guantes protectores.		ENCENDIDO/ARRANQUE
	Utilice botas robustas con suela antideslizante. Se recomienda utilizar botas de seguridad con puntera de acero.		APAGADO/PARADA
	Contragolpe.		
	Mantenga el área de operaciones libre de personas y animales.		

INSTRUCCIONES DE SEGURIDAD

Instrucciones generales

- Para garantizar un uso correcto, el usuario debe leer este manual de instrucciones para familiarizarse con el manejo de la desbrozadora. Los usuarios con una información insuficiente se pondrán en riesgo a ellos mismos y pondrán en riesgo a otros a causa de un manejo incorrecto.
- Se recomienda prestar la desbrozadora solamente a personas que han demostrado tener experiencia con desbrozadoras. Entregue siempre el manual de instrucciones.
- Los usuarios que utilizan por primera vez la máquina deben pedir al distribuidor instrucciones básicas para familiarizarse con el manejo de una herramienta de corte con motor.
- No se debe permitir que los niños o las personas de menos de 18 años utilicen la desbrozadora. No obstante, las personas de más de 16 años pueden usar el dispositivo con finalidades de aprendizaje solamente bajo la supervisión de un instructor cualificado.
- Utilice la desbrozadora con el máximo cuidado y atención.
- Sólo debe utilizar la desbrozadora si usted está en buena condición física. Realice todo el trabajo con calma y con cuidado. El usuario tiene que aceptar la responsabilidad por otros.
- Nunca utilice la desbrozadora tras consumir alcohol o medicamentos o si se siente cansado o enfermo.

Uso previsto de la máquina

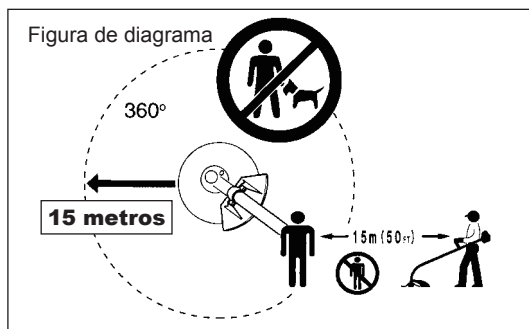
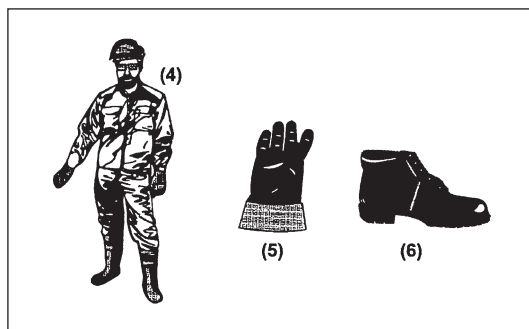
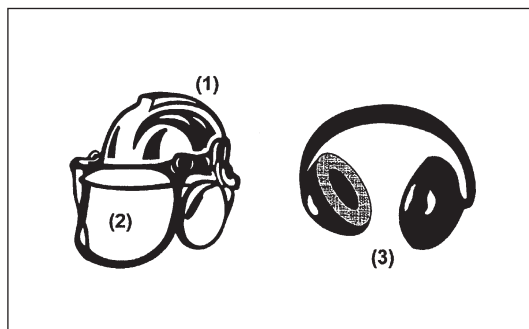
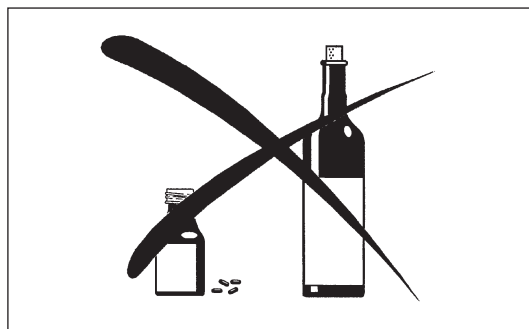
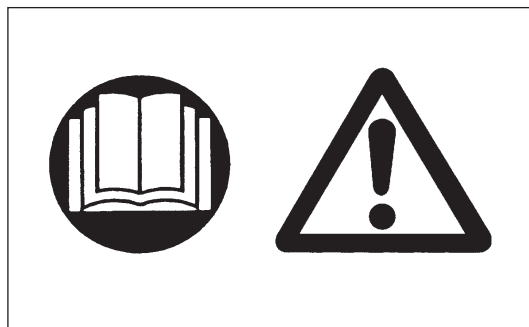
- La desbrozadora sólo se ha diseñado para cortar hierba, maleza, arbustos y otras plantas similares y no se debe utilizar con ninguna otra finalidad, como canteado o cortado de setos, ya que se podrían causar lesiones.

Equipo de protección personal

- Debe llevarse ropa funcional y apropiada, es decir, debe ser ajustada pero sin que sea incómoda. No lleve joyas ni prendas que puedan engancharse en arbustos o maleza.
- Para evitar lesiones en la cabeza, los ojos, las manos o los pies y para proteger los oídos, debe llevarse el siguiente equipo y la siguiente ropa de protección mientras se utiliza la desbrozadora.
- Utilice siempre un casco cuando haya riesgo de caída de objetos. Debe comprobarse periódicamente si el casco protector (1) tiene algún daño y se debe sustituir como máximo después de 5 años. Utilice solamente cascos protectores homologados.
- El visor (2) del casco (o, como alternativa, las gafas de seguridad) protege la cara de piedras y objetos que salen despedidos. Durante el manejo de la desbrozadora utilice gafas de seguridad o un visor para evitar lesiones en los ojos.
- Utilice un equipo de protección acústica adecuado para evitar daños en el oído (protectores de oído (3), tapones para los oídos, etc.).
- El mono de trabajo (4) protege contra piedras y otros objetos que salen despedidos. Recomendamos utilizar un mono de trabajo.
- Los guantes especiales (5) de cuero grueso forman parte del equipo obligatorio y siempre deben utilizarse durante el manejo de la desbrozadora.
- Cuando utilice la desbrozadora, utilice siempre zapatos robustos (6) con una suela que no resbale. De esta manera se protegerá contra lesiones y se asegurará de que los pies estén en una posición firme.

Encendido de la desbrozadora

- Asegúrese de que no haya niños y otras personas en un área de trabajo de 15 metros (50 pies) y preste atención también a cualquier animal que pueda estar cerca del lugar de trabajo.
- Antes del uso, compruebe siempre que la desbrozadora esté preparada para un funcionamiento seguro:
Compruebe la seguridad de la herramienta de corte, el accionamiento sencillo de la palanca de control y el correcto funcionamiento del bloqueo de la palanca de control.
- No se permite girar la herramienta de corte mientras funciona en vacío. Consulte los ajustes con su distribuidor en caso de duda. Compruebe que los asideros estén limpios y secos y pruebe el funcionamiento del interruptor de arranque/parada.

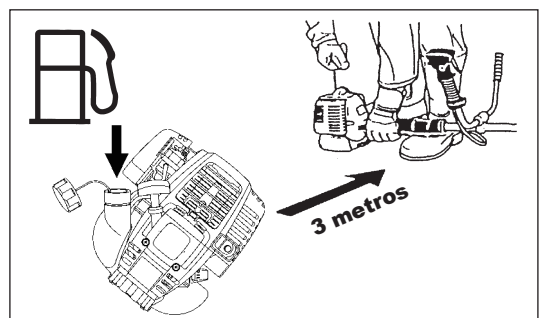
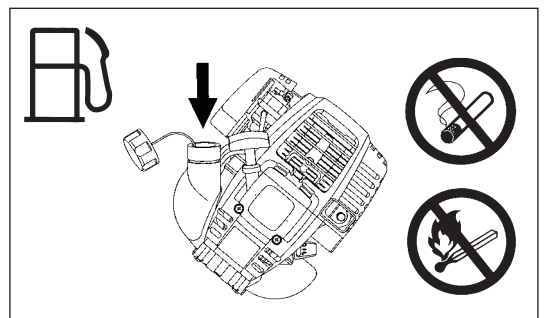
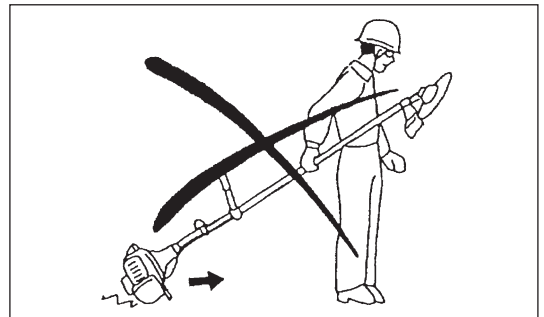
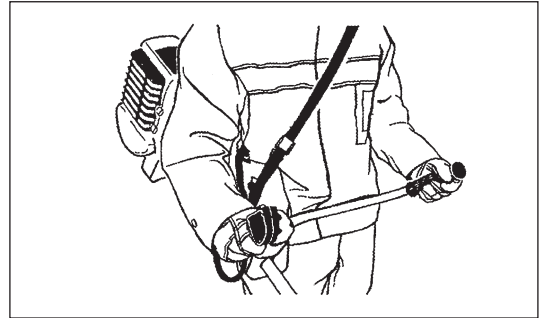
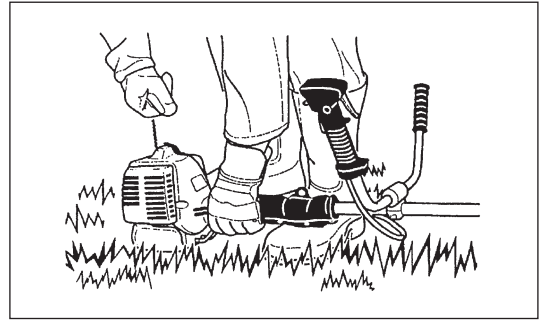


Ponga en marcha la desbrozadora únicamente de acuerdo con las instrucciones.

- No utilice ningún otro método para poner en marcha el motor.
- Utilice la desbrozadora y las herramientas únicamente para las aplicaciones especificadas.
- Ponga en marcha la desbrozadora únicamente después de montar todo el conjunto. Solamente se permite utilizar el dispositivo después de conectar todos los accesorios adecuados.
- Antes de la puesta en marcha, asegúrese de que la herramienta de corte no está en contacto con objetos duros tales como ramas, piedras, etc. ya que la herramienta de corte girará al poner en marcha la máquina.
- El motor se debe apagar inmediatamente si experimenta algún problema.
- Si la herramienta de corte golpea piedras u otros objetos duros, apague el motor inmediatamente e inspecciónela.
- Inspeccione periódicamente la herramienta de corte para comprobar si hay daños (compruebe si hay grietas finas mediante pruebas de sonido).
- Utilice la desbrozadora solamente con la correa de hombro atada, que debe ajustarse antes de poner en marcha la desbrozadora. Es muy importante ajustar la correa de hombro de acuerdo con la talla del usuario para evitar la fatiga durante el uso. Nunca sujete la desbrozadora con una mano durante el uso.
- Durante el manejo, sujete siempre la desbrozadora con ambas manos. Asegúrese siempre de que sus pies se encuentran en una posición segura.
- Utilice la desbrozadora de forma que no inhale los gases de escape. Nunca haga funcionar el motor en lugares cerrados (riesgo de envenenamiento por gas). El monóxido de carbono es un gas inodoro.
- Apague el motor cuando descanse y cuando deje la desbrozadora sin atender, y deje la herramienta en un lugar seguro para evitar un peligro para otras personas o que se dañe la herramienta.
- Nunca ponga la desbrozadora caliente sobre hierba seca o cualquier otro material combustible.
- La herramienta de corte debe estar equipada con su propia protección. Nunca utilice la herramienta sin este protector.
- Todas las piezas de protección y las protecciones suministradas con la máquina deben utilizarse durante el funcionamiento.
- Nunca haga funcionar el motor con un silenciador de escape defectuoso.
- Apague el motor durante el transporte.
- Durante el transporte a largas distancias siempre debe utilizarse la protección de la herramienta incluida con el equipo.
- Asegúrese de que la desbrozadora esté en una posición segura durante el transporte en un vehículo para evitar fugas de combustible.
- Cuando transporte la desbrozadora, asegúrese de que el depósito de combustible esté completamente vacío.
- Cuando descargue la desbrozadora de un camión, nunca deje caer el motor al suelo, ya que se puede dañar gravemente el depósito de combustible.
- Excepto en caso de emergencia, nunca deje caer la desbrozadora al suelo, ya que se puede dañar gravemente.
- No olvide levantar todo el equipo del suelo cuando lo mueva. Arrastrar el depósito de combustible es muy peligroso y causará daños, fugas de combustible y posiblemente un incendio.

Repostaje

- Apague el motor durante el repostaje, manténgase alejado de las llamas y no fume.
- Evite el contacto con la piel de productos con aceite mineral. No inhale el vapor de combustible. Utilice siempre guantes de protección durante el repostaje. Cambie y limpie regularmente la ropa protectora.
- Tenga cuidado de no derramar combustible o aceite para evitar la contaminación del suelo (protección medioambiental). Limpie la desbrozadora inmediatamente después del derrame de combustible.
- Evite el contacto del combustible con su ropa. Cambie la ropa inmediatamente si se ha derramado combustible sobre ella (para evitar que la ropa se incendie).
- Inspeccione periódicamente la tapa del depósito de combustible para asegurarse de que se puede apretar firmemente y que no tiene fugas.
- Apriete con cuidado la tapa del depósito de combustible. Cambie de lugar para poner en marcha el motor (como mínimo a 3 metros de distancia del lugar de repostaje).
- Nunca reposte en lugares cerrados. Los vapores de combustible se acumulan a nivel del suelo (riesgo de explosiones).
- El combustible solamente se debe transportar y almacenar en recipientes homologados. Asegúrese de que el combustible almacenado no esté al alcance de los niños.



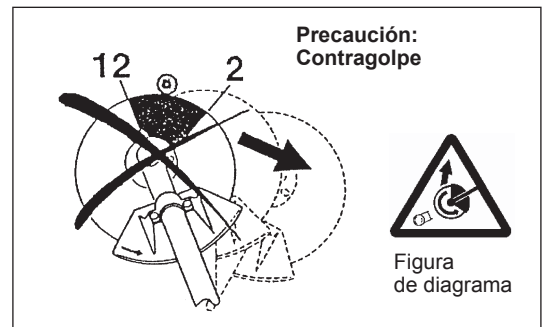
Método de trabajo

- Utilice la desbrozadora y las herramientas únicamente cuando haya una buena iluminación y visibilidad. Durante el invierno tenga cuidado con las áreas húmedas o resbaladizas, hielo y nieve (riesgo de resbalar). Asegúrese siempre de que sus pies se encuentran en una posición segura.
- No corte nunca por encima de la altura de la cintura.
- No se suba nunca a una escalera mientras utilice la desbrozadora.
- Nunca se suba a árboles para realizar la operación de corte con la desbrozadora.
- No trabaje nunca en superficies inestables.
- Elimine la arena, piedras, clavos, etc. que se encuentren en el área de trabajo.
Los objetos extraños pueden dañar la herramienta de corte y provocar peligrosos contragolpes.
- Antes de comenzar a cortar, la herramienta de corte debe alcanzar la velocidad de trabajo completa.



Contragolpe

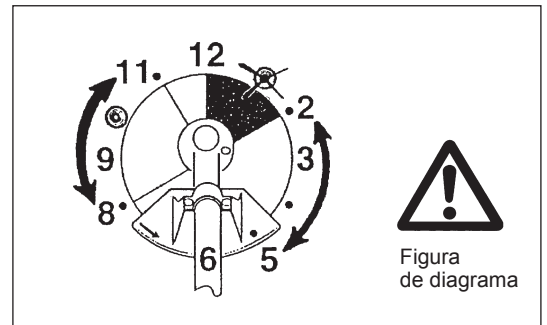
- Cuando utilice la desbrozadora pueden producirse contragolpes incontrolados.
- Suelen producirse cuando se intenta cortar con un segmento de la cuchilla entre las 12 y las 2 en punto.
- Nunca aplique la desbrozadora en un segmento entre las 12 y las 2 en punto.
- Nunca aplique este segmento de la cuchilla de la desbrozadora a sólidos, tales como arbustos y árboles, etc., con un diámetro que sea superior a 3 cm o la desbrozadora se desviará con gran fuerza con el riesgo de lesiones.



Prevención de contragolpes

Para evitar contragolpes, tenga en cuenta lo siguiente:

- El funcionamiento con un segmento de cuchilla entre las 12 y las 2 en punto presenta un peligro real, especialmente cuando se utilizan herramientas de corte de metal.
- Las operaciones de corte en un segmento de cuchilla entre las 11 y las 12 en punto y entre las 2 y las 5 en punto solamente deben realizarlas operarios con formación y experiencia y únicamente bajo su propio riesgo.
Se puede realizar un corte sencillo sin casi contragolpe con un segmento de cuchilla entre las 8 y las 11 en punto.

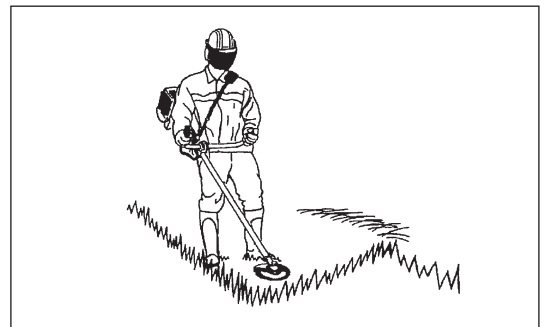


Herramientas de corte

Utilice solamente la herramienta de corte correcta para el trabajo que va a realizar.

MS-335.4 U con cuchilla de corte, cabezal de corte de nylon

Para el corte de materiales gruesos, tales como maleza, hierba alta, matorrales, arbustos, monte bajo, etc. (grosor máximo de 2 cm de diámetro). Realice el trabajo moviendo la desbrozadora uniformemente en semicírculos de derecha a izquierda (como cuando se usa una guadaña).



Instrucciones de mantenimiento

- El estado de la desbrozadora, en concreto de la herramienta de corte, de los dispositivos protectores y también de la correa de hombro debe comprobarse antes de comenzar el trabajo. Debe prestarse especial atención a las cuchillas de corte, que deben estar afiladas correctamente.
- Apague el motor y quite el conector de la bujía cuando sustituya o afile las herramientas de corte y también cuando limpie la desbrozadora o la herramienta de corte.

Nunca enderece ni suele las herramientas de corte estropeadas.

- Utilice la desbrozadora de forma que haga el mínimo ruido y contaminación posibles. En concreto, compruebe el ajuste correcto del carburador.
- Limpie la desbrozadora periódicamente y compruebe que todos los tornillos y tuercas estén bien apretados.
- Nunca realice trabajos de mantenimiento o almacene la desbrozadora en la proximidad de llamas.
- Guarde siempre la desbrozadora en habitaciones cerradas con llave y con el depósito de combustible vacío.



Respete las instrucciones aplicables de prevención de accidentes emitidas por las compañías de seguros y las asociaciones comerciales relevantes.

No realice ninguna modificación en la desbrozadora, ya que esto pondría en peligro su seguridad.

Los trabajos de mantenimiento o reparación que puede realizar el usuario se limitan a las actividades descritas en este manual de instrucciones. Todos los demás trabajos los realiza un agente de servicio autorizado. Utilice únicamente accesorios y piezas de repuesto genuinos suministrados por DOLMAR.

El uso de accesorios y herramientas no aprobadas implica un mayor riesgo de accidentes.

DOLMAR no acepta ninguna responsabilidad por los accidentes o los daños causados por el uso de herramientas de corte no aprobadas, por la reparación de las herramientas de corte o por accesorios.

Primeros auxilios

En caso de accidente, asegúrese de que cerca del lugar en el que se realicen las operaciones de corte esté disponible un botiquín de primeros auxilios.

Reponga inmediatamente cualquier artículo que tome del botiquín de primeros auxilios.

Cuando solicite ayuda, proporcione la siguiente información:

- Lugar del accidente
- Qué ha ocurrido
- Número de personas heridas
- Tipo de lesiones
- Su nombre



Embalaje

La desbrozadora de DOLMAR se entrega en dos cajas de cartón de protección para evitar daños durante el transporte. El cartón es una materia prima básica y, por lo tanto, se puede reciclar (reciclado de residuos de papel).



DECLARACIÓN DE CONFORMIDAD DE LA CE

Modelo; MS-335.4 U

Declaramos bajo nuestra exclusiva responsabilidad que este producto cumple con las siguientes Directivas, 2004/108/EC, 2000/14/EC, 98/37/EC hasta el 28 de diciembre de 2009 y, posteriormente, con 2006/42/EC desde el 29 de diciembre de 2009.

Los estándares más importantes aplicados para cumplir correctamente los requisitos de las Directivas mencionadas más arriba son: EN11806, EN55012.

Potencia sonora medida: 109,7 dB (A)

Potencia sonora garantizada: 112 dB (A)

Estos niveles de potencia sonora han sido medidos en conformidad con la Directiva del Consejo 2000/14/CE.

Método de evaluación de la conformidad: Anexo V.

19/DIC/2008

Tamiro Kishima
Director gerente

Rainer Bergfeld
Director gerente

Fabricante responsable:

Makita Corporation

3-11-8, Sumiyoshi-cho, Anjo, Aichi, JAPÓN

Representante autorizado en Europa:

DOLMAR GmbH

Jenfelder Str. 38, 22045 Hamburg, Germany

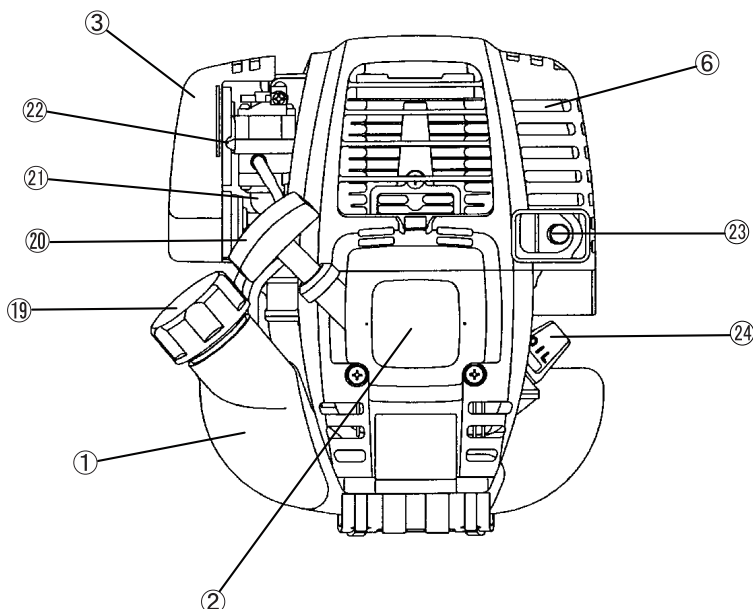
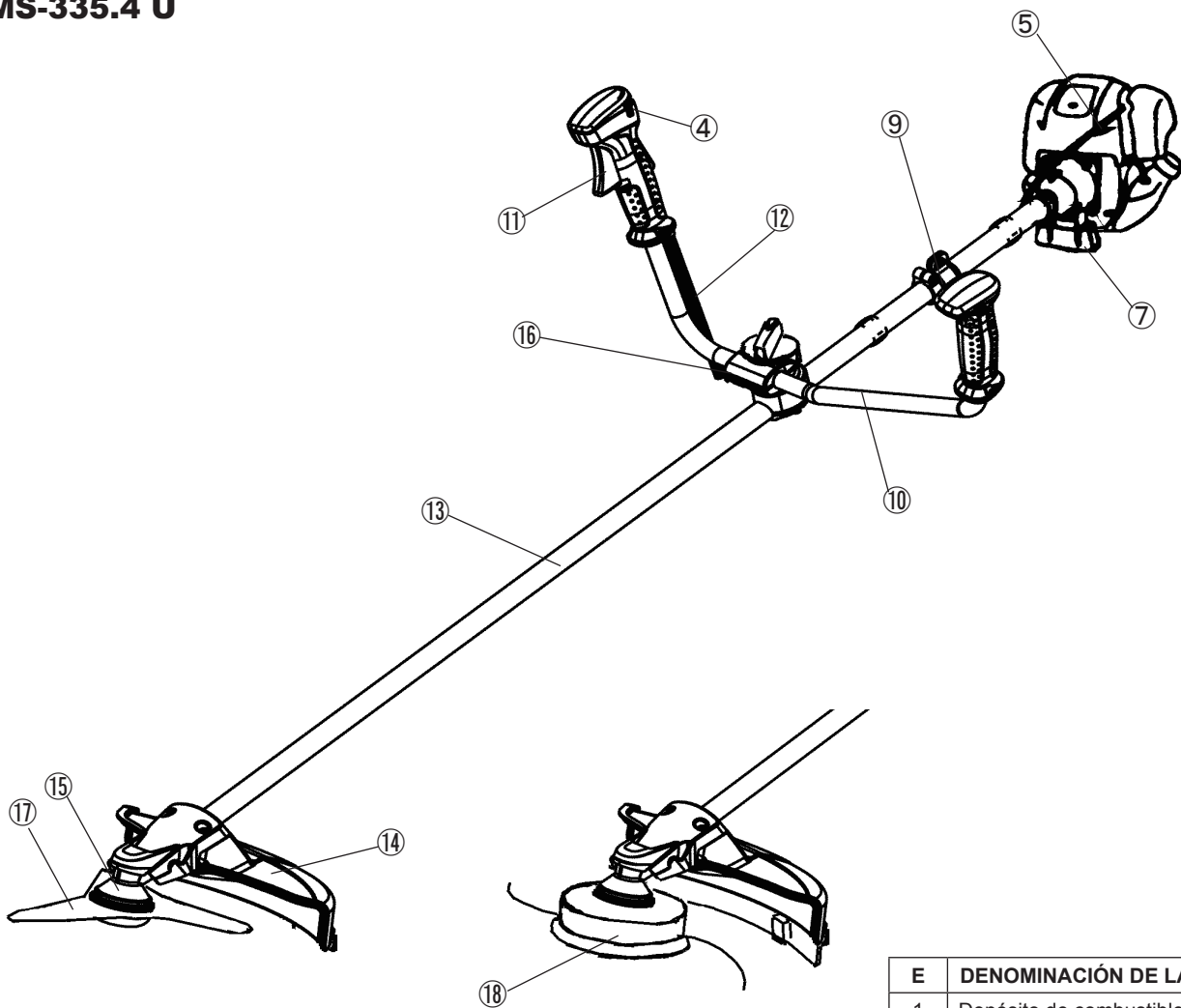
DATOS TÉCNICOS MS-335.4 U

Modelo		MS-335.4 U		
		Asidero de motocicleta		
Dimensiones: largo x ancho x alto (sin cuchilla de corte)	mm	1.810 x 620 x 500		
Peso (sin protector de plástico ni cuchilla de corte)	kg	7,1		
Volumen (depósito de combustible)	L	0,65		
Volumen (depósito de aceite)	L	0,1		
Cilindrada del motor	cm ³	33,5		
Potencia máxima del motor ISO8893	kw	1,07 a 7.000 min ⁻¹		
Frecuencia de giro máxima del husillo	min ⁻¹	6.850		
Velocidad del motor a la frecuencia de giro máxima recomendada del husillo	min ⁻¹	10.000		
Consumo de combustible con rendimiento máx. del motor ISO8893	kg/h	0,458		
Consumo específico de combustible con rendimiento máx. del motor	g/kwh	426		
Velocidad del motor al ralentí	min ⁻¹	3.000		
Velocidad de acoplamiento de embrague	min ⁻¹	4.100		
Carburador (Diafragma - carburador)	tipo	WALBRO WYL		
Sistema de encendido	tipo	Encendido de estado sólido		
Bujía	tipo	NGK CMR4A		
Separación entre electrodos	mm	0,7 - 0,8		
Vibración según ISO 22867 ¹⁾	Asidero derecho (Empuñadura trasera)	Ralentí	m/s ²	1,34
		Máxima velocidad o mariposa de gases abierta del todo	m/s ²	4,39
	Asidero izquierdo (Empuñadura)	Ralentí	m/s ²	1,28
		Máxima velocidad o mariposa de gases abierta del todo	m/s ²	3,26
Promedio del nivel de presión acústica según ISO 22868 ¹⁾	dba	98,2		
Promedio del nivel de potencia acústica según ISO 22868 ¹⁾	dba	106,7		
Combustible		Gasolina de automoción		
Aceite de motor		Aceite SAE 10W-30 de Clasificación API, Clase SF o superior (motor de cuatro tiempos para automoción)		
Herramientas de corte (diám. cuchilla de corte)	mm	305 (con tres cuchillas)		
Relación de engranajes		13/19		

1) Los datos se han preparado teniendo en cuenta por igual los modos de ralentí y máxima velocidad o el modo de velocidad con la mariposa de gases abierta del todo.

DENOMINACIÓN DE LAS PIEZAS

MS-335.4 U



E	DENOMINACIÓN DE LAS PIEZAS
1	Depósito de combustible
2	Arrancador de retroceso
3	Filtro de aire
4	Interruptor I-O (encendido/apagado)
5	Bujía
6	Silenciador de escape
7	Caja del embrague
9	Colgador
10	Asidero
11	Palanca de la mariposa de gases
12	Cable de control
13	Eje
14	Protector
15	Caja de engranajes/Caja del cabezal
16	Agarre del asidero
17	Cuchilla de corte
18	Cabezal de corte de nylon
19	Tapa para el llenado de combustible
20	Empuñadura de arranque
21	Bomba de cebado
22	Palanca del estrangulador
23	Tubo de escape
24	Varilla indicadora del nivel de aceite

MONTAJE DEL ASIDERO

PRECAUCIÓN: Antes de realizar algún trabajo en la desbrozadora, detenga siempre el motor y desconecte el conector de la bujía.
Utilice siempre guantes de protección.

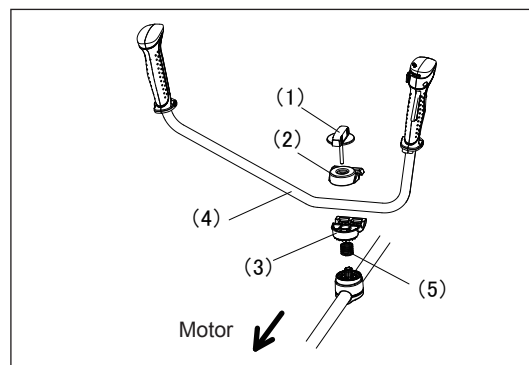
PRECAUCIÓN: Ponga en marcha la desbrozadora únicamente después de haberla montado completamente.



Para máquinas con modelos de asidero de moto

- Afloje el pomo (1).
- Coloque el asidero (4) entre la abrazadera del asidero (2) y el soporte del asidero (3).
- Ajuste el asidero (4) en un ángulo que proporcione una posición de trabajo cómoda y, a continuación, apriételo firmemente apretando a mano el pomo (1).

PRECAUCIÓN: No olvide montar el muelle (5).



MONTAJE DEL PROTECTOR

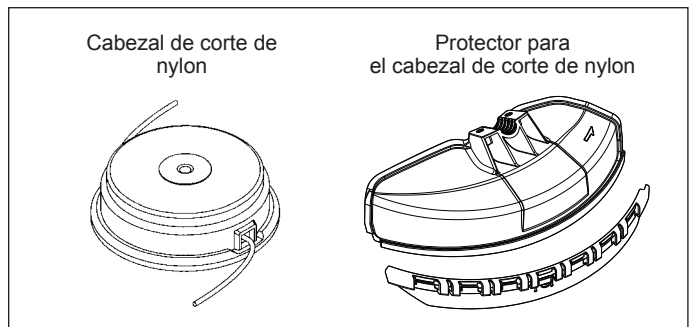
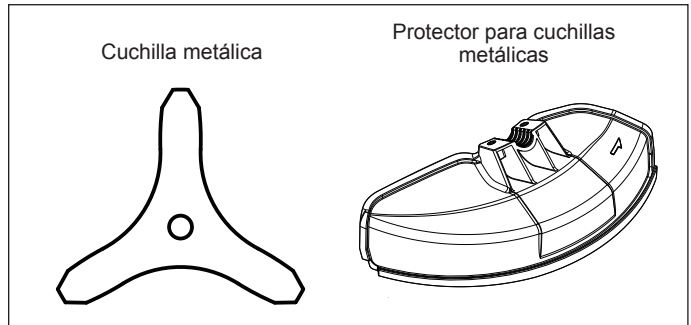
Para cumplir con las normativas de seguridad aplicables, solamente se deben utilizar las combinaciones de herramienta/ protector indicadas en la tabla.



Asegúrese de utilizar cuchillas de corte o cabezales de corte originales de DOLMAR.

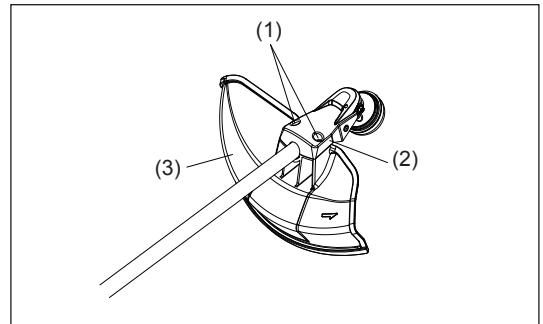
- La cuchilla de corte deberá estar afilada, sin grietas ni roturas. Si la cuchilla golpea una piedra durante el uso, detenga la herramienta y compruebe la cuchilla inmediatamente.
- Afile o reemplace la cuchilla cada tres horas de funcionamiento.
- Si el cabezal de corte de nylon golpea una piedra durante el uso, detenga la herramienta y compruebe la cuchilla inmediatamente.

PRECAUCIÓN: Siempre debe estar instalado el protector adecuado por su propia seguridad y para cumplir con las normativas de prevención de accidentes. No se permite la utilización del equipo sin la protección montada.
El diámetro exterior de la cuchilla de corte debe ser de 255 mm (10"). Las cuchillas de corte con un diámetro exterior de 305 mm o 12 pulgadas solamente se pueden utilizar para las que tengan tres cuchillas.



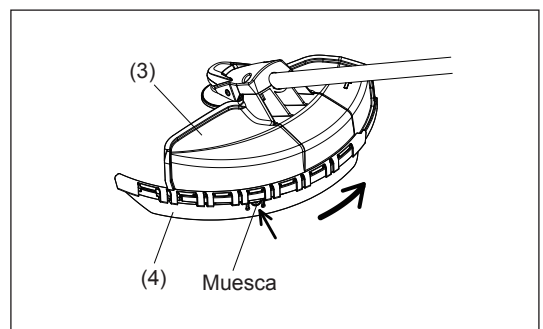
- Cuando utilice la cuchilla metálica, fije el protector (3) a la abrazadera (2) con dos pernos M6 x 30 (1).

NOTA: Apriete los pernos derecho e izquierdo de forma uniforme para que la holgura entre la abrazadera (2) y el protector (3) sea constante. De lo contrario, es posible que en algunos casos no funcione según las especificaciones.



- Cuando vaya a utilizar un cabezal de corte de hilo de nylon, asegúrese de montar el protector del cabezal de corte de hilo de nylon (4) en el protector de la cuchilla metálica (3).
- Monte el protector del cabezal de corte de nylon (4) sujetando su muesca central mientras lo desliza hasta que encaje en su posición desde el flanco del protector de la cuchilla metálica (3).
- Retire la cinta adherida al cabezal de corte, que corta el cable de nylon, en el protector de del cabezal de corte de nylon (4).

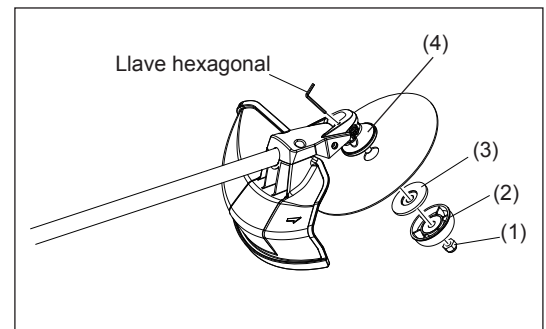
PRECAUCIÓN: Asegúrese de empujar el protector del cabezal de corte de nylon (4) hasta que esté completamente insertado. Tenga cuidado de no herirse con el cabezal de corte para cortar el hilo de nylon.



MONTAJE DE LA CUCHILLA DE CORTE O DEL CABEZAL DE CORTE DE NYLON

Coloque la máquina boca arriba y podrá sustituir la cuchilla de corte o el cabezal de corte de nylon fácilmente.

- Inserte la llave hexagonal en el orificio de la caja de engranajes y gire la arandela de apoyo (4) hasta que quede bloqueada con la llave hexagonal.
- Afloje la tuerca (1) (rosca hacia la izquierda) con la llave de vaso y retire la tuerca (1), copa (2) y la arandela de apriete (3).



Montaje de la cuchilla de corte

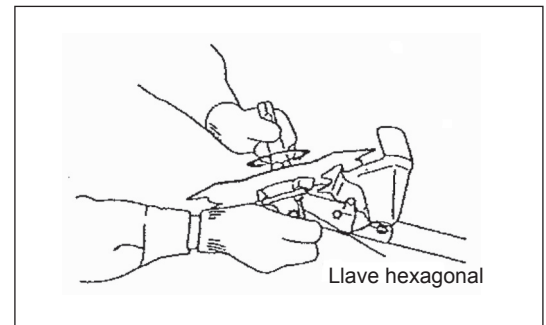
Con la llave hexagonal aún colocada.

- Monte la cuchilla en el eje para que la guía de la arandela de apoyo (4) se ajuste al orificio del eje de la cuchilla. Instale la arandela de apriete (3), la copa (2) y fije la cuchilla con la tuerca (1).
[Par de apriete: 13 - 23 N-m]

NOTA: Utilice siempre guantes cuando maneje la cuchilla.

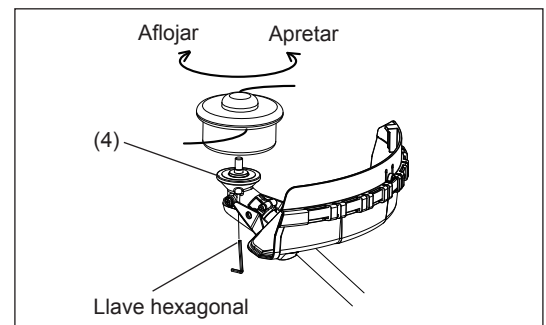
NOTA: La tuerca de apriete de la cuchilla (con una arandela con muelle) es una parte desechable.

Si se aprecia algún desgaste o deformación en la arandela de muelle, reemplace la tuerca.

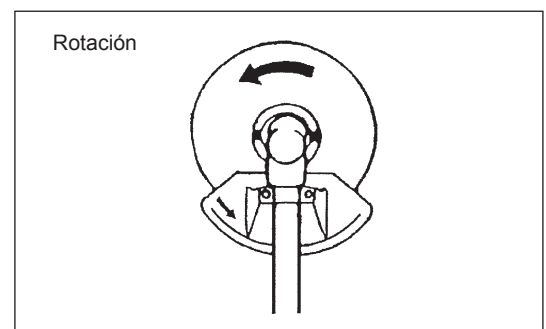


Montaje del cabezal de corte de nylon

- La arandela de sujeción (3), la copa (2) y la tuerca (1) no son necesarias para montar el cabezal de corte de nylon. El cabezal de corte de nylon debe colocarse encima de la arandela de apoyo (4).
- Inserte la llave hexagonal en el orificio de la caja de engranajes y gire la arandela de apoyo (4) hasta que quede bloqueada con la llave hexagonal.
- A continuación, enrosque el cabezal de corte de nylon en el eje girándolo en el sentido contrario a las agujas del reloj.
- Retire la llave hexagonal.



- Asegúrese de que la cuchilla esté con el lado izquierdo hacia arriba.



ANTES DEL USO

Inspección y rellenado del aceite de motor

- Realice el siguiente procedimiento con el motor frío.
- Con el motor nivelado, retire la varilla indicadora del nivel de aceite y compruebe que el aceite se encuentre entre las marcas del límite superior e inferior.
Cuando el nivel del aceite sea bajo y la varilla indicadora del nivel de aceite sólo toque el aceite con su punta, en concreto con la varilla indicadora del nivel de aceite insertada en el cárter sin atornillar (Fig. 1), rellene con aceite nuevo (Fig. 2).
- Como referencia, el tiempo de rellenado de aceite es de unas 15 h (frecuencia de rellenado: 15 veces).
Si el aceite cambia de color o se mezcla con suciedad, sustitúyalo con uno nuevo. (Para conocer el intervalo y el método de sustitución, consulte la P134 - 135)

Aceite recomendado: Aceite SAE 10W-30 de Clasificación API, Clase SF o superior (motor de 4 tiempos para automoción)

Volumen de aceite: Aprox. 0,1 L

Nota: Si el motor no se mantiene en posición vertical, el aceite puede entrar en el motor y se puede rellenar en exceso.
Si se llena aceite por encima del límite, puede contaminarse o incendiarse y provocar un humo blanco.

Punto 1 de la sustitución de aceite: “Varilla indicadora de nivel de aceite”

- Retire el polvo o la suciedad de alrededor de la abertura de rellenado de aceite y extraiga la varilla indicadora del nivel de aceite.
- Mantenga la varilla indicadora del nivel de aceite libre de tierra o suciedad. De lo contrario, la tierra o la suciedad que se adhiera a la varilla indicadora del nivel de aceite puede causar una circulación irregular de aceite o un desgaste en las piezas del motor, lo que puede provocar problemas.
- Como ejemplo para mantener la varilla indicadora del nivel de aceite limpia, se recomienda insertar la varilla indicadora por el lado de sujeción en la cubierta del motor, tal y como se muestra en la Fig. 3.

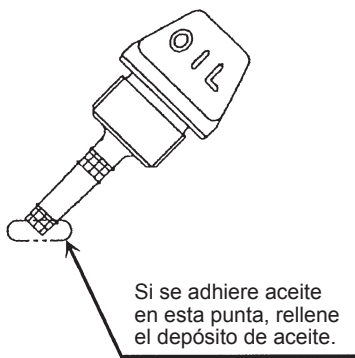


Fig. 1

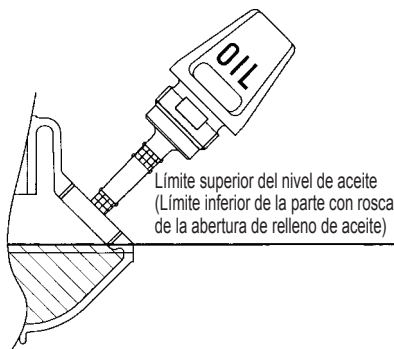


Fig. 2

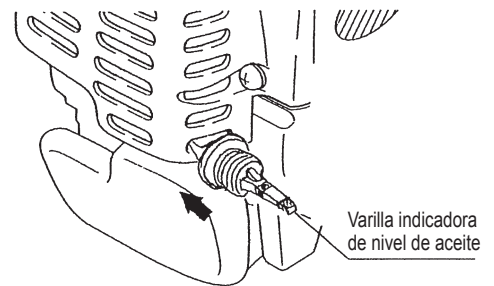
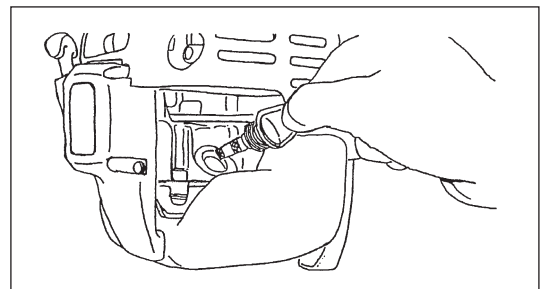
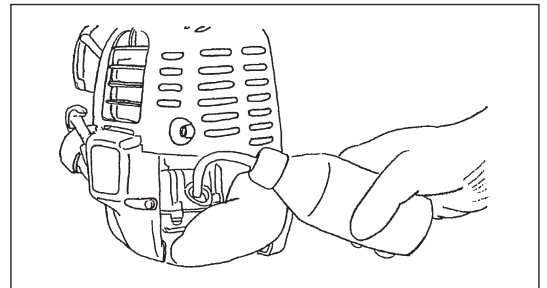


Fig. 3

- (1) Mantenga el motor nivelado y extraiga la varilla indicadora del nivel de aceite.



- (2) Llene aceite hasta el borde de la abertura de rellenado de aceite. (Consulte la Fig. 2).
Introduzca el aceite con el contenedor de llenado de lubricante.



- (3) Apriete firmemente la varilla indicadora del nivel de aceite. Un apriete insuficiente puede causar fugas de aceite.

Punto 2 de la sustitución de aceite: “Si se derrama aceite”

- Si se derrama aceite entre el depósito de combustible y la unidad principal del motor, el aceite se succiona a través del puerto de entrada de aire, lo que contaminará el motor. Asegúrese de limpiar el aceite derramado antes de empezar a utilizar la herramienta.

REPOSTAJE

Manejo del combustible

Tenga el máximo cuidado cuando maneje el combustible. El combustible puede contener sustancias similares a los disolventes. Reposte en una habitación bien ventilada o al aire libre. No inhale el vapor de combustible y evite cualquier contacto con el combustible. El contacto prolongado de la piel con estos productos hará que la piel se reseque, lo que puede provocar enfermedades en la piel o alergias. Si el combustible entra en contacto con los ojos, límpielos con agua potable. Si sus ojos siguen irritados, acuda inmediatamente a un médico.

Período de almacenamiento del combustible

El combustible debe utilizarse en un período de 4 semanas, aunque se conserve en un contenedor especial a la sombra en una zona bien ventilada.

Si no se utiliza un contenedor especial o si el contenedor no está a cubierto, el combustible se puede deteriorar en un día.

ALMACENAMIENTO DE LA MÁQUINA Y DEL DEPÓSITO DE RELLENADO

- Mantenga la máquina y el depósito en un lugar fresco alejado de la luz directa del sol.
- No guarde nunca el combustible en el interior de un vehículo o en un maletero.

Combustible

El motor es un motor de cuatro tiempos. Asegúrese de utilizar gasolina de automoción (gasolina normal o gasolina premium).

Observaciones sobre el combustible

- Nunca utilice una mezcla de gasolina que contenga aceite de motor. De lo contrario, provocará una acumulación excesiva de carbonilla o problemas mecánicos.
- El uso de aceite deteriorado provocará un arranque irregular.

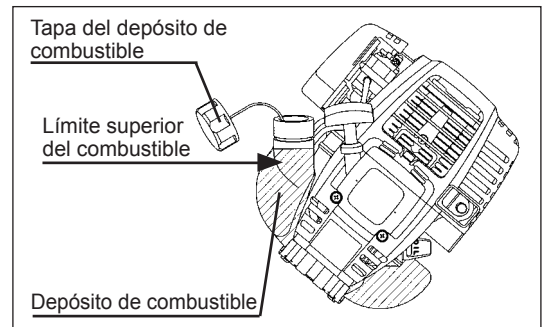
Repostaje

ADVERTENCIA: LOS MATERIALES INFLAMABLES ESTÁN ESTRUCTAMENTE PROHIBIDOS

Gasolina utilizada: Gasolina de automoción (gasolina sin plomo)

- Afloje un poco la tapa del depósito para que no haya ninguna diferencia de presión atmosférica.
- Suelte la tapa del depósito y reposte, descargando el aire inclinando el depósito de combustible de forma que la abertura de repostaje esté orientada hacia arriba. (Nunca rellene combustible en la abertura de relleno de aceite.)
- Limpie bien la periferia de la tapa del depósito de combustible para evitar que entren objetos extraños en el depósito de combustible.
- Tras el repostaje, apriete firmemente la tapa del depósito.

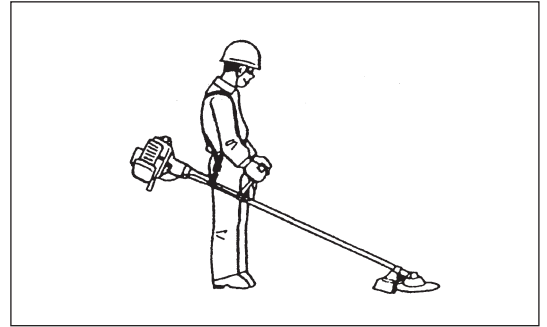
- Si hay defectos o daños en la tapa del depósito, sustitúyala.
- La tapa del depósito es desechable y, por lo tanto, se debe renovar cada dos o tres años.



MANEJO CORRECTO DE LA MÁQUINA

Instalación de la correa para el hombro

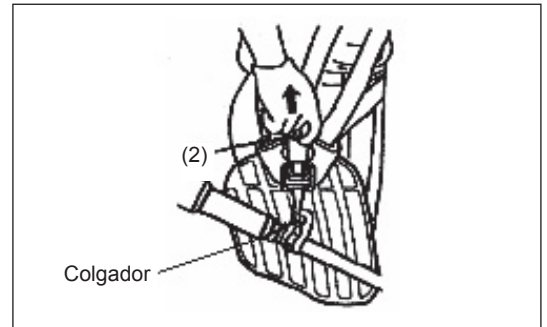
- Ajuste la longitud de la correa para el hombro de forma que la cuchilla quede paralela al suelo.



Separación

- En caso de emergencia, accione la palanca de separación de emergencia (2) tirando fuertemente con un dedo. La máquina se separará del cuerpo. Tenga mucho cuidado para mantener el control de la máquina en ese momento. No permita que la máquina se desvíe hacia usted o hacia cualquiera que se encuentre cerca de usted.

ADVERTENCIA: Si no se mantiene un control completo de la máquina, se pueden causar lesiones corporales graves o la MUERTE.



ASPECTOS DEL MANEJO Y CÓMO PARAR LA MÁQUINA

Respete las normativas de prevención de accidentes aplicables.

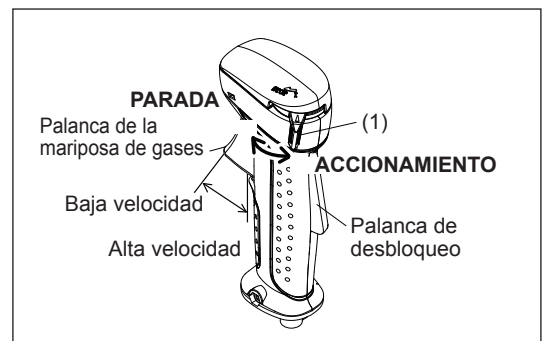


ARRANQUE

Aléjese 3 m como mínimo del lugar de repostaje. Coloque la desbrozadora sobre un lugar despejado, con cuidado de que la herramienta de corte no entre en contacto con el suelo u otros objetos.

A: Arranque en frío

- 1) Coloque la máquina sobre una superficie plana.

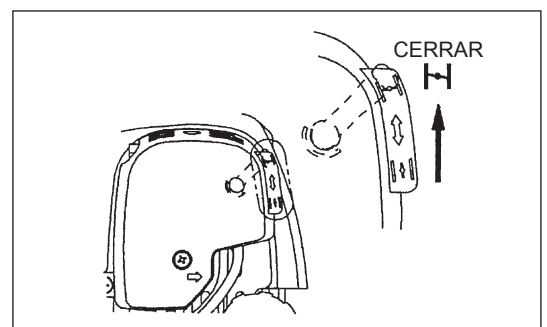


- 2) Ajuste el interruptor I-O (1) en ACCIONAMIENTO.

- 3) Palanca del estrangulador
Cierre la palanca del estrangulador.

Apertura del estrangulador:

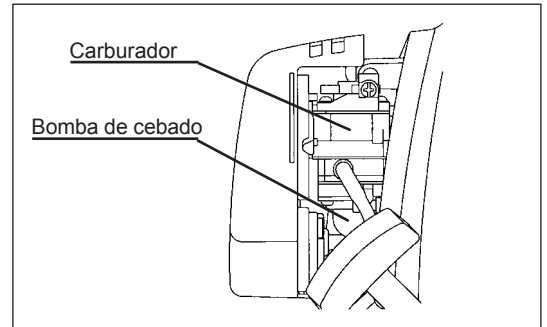
- Totalmente cerrado en temperaturas frías o cuando el motor está frío.
- Completamente abierto o medio abierto al volver a arrancar justo después de detener la operación.



4) Bomba de cebado

Siga accionando la bomba de cebado hasta que el combustible entre en ella. (En general, el combustible entra en la bomba de cebado con 7 a 10 pulsaciones.)

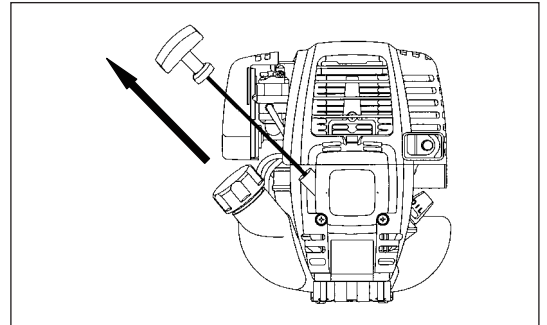
Si se acciona la bomba de cebado en exceso, el exceso de gasolina vuelve al depósito de combustible.



5) Arrancador de retroceso

Tire lentamente de la empuñadura de arranque hasta que note cierta resistencia (punto de compresión). A continuación devuelva la empuñadura de arranque a su posición y tire con fuerza de ella.

Nunca tire por completo de la cuerda de arranque. Cuando haya tirado de la empuñadura de arranque, no la suelte inmediatamente. Sujete la empuñadura de arranque hasta que vuelva a su posición original.



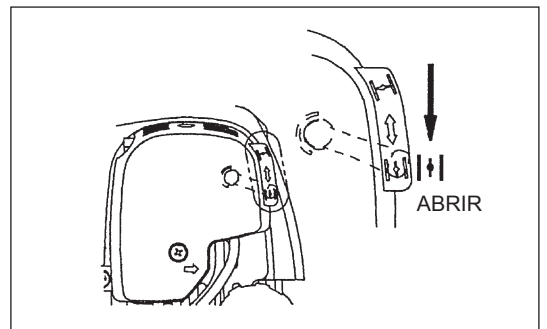
6) Palanca del estrangulador

Cuando se ponga en marcha el motor, abra la palanca del estrangulador.

- Abra la palanca del estrangulador progresivamente mientras comprueba el funcionamiento del motor. Asegúrese de abrir la palanca de estrangulador al completo.
- En frío o cuando el motor se haya enfriado, nunca accione la palanca del estrangulador repentinamente. De lo contrario, el motor puede pararse.

7) Operación de calentamiento

Continúe con la operación de calentamiento durante 2 ó 3 minutos.



Nota: -Si se tira repetidamente de la empuñadura de arranque cuando la palanca del estrangulador se encuentra en la posición "CERRAR", el motor no se pondrá en marcha fácilmente a causa del exceso de entrada de combustible.

-Si se produce una entrada excesiva de combustible, extraiga la bujía y tire lentamente de la empuñadura de arranque para eliminar el exceso de combustible. Asimismo, seque la sección del electrodo de la bujía.

Precaución durante el funcionamiento:

Si la palanca de la mariposa de gases se abre completamente durante el funcionamiento sin carga, las revoluciones del motor aumentan por encima de las 10.000 min⁻¹ o más. Nunca haga funcionar el motor a una velocidad superior a la necesaria y mantenga las revoluciones a una velocidad aproximada de 6.000 - 8.500 min⁻¹.

B: Arranque después de la operación de calentamiento

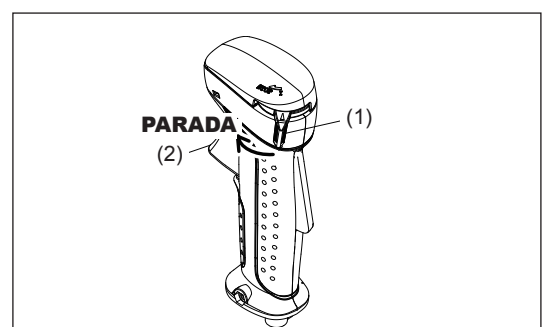
- 1) Pulse la bomba de cebado repetidamente.
- 2) Mantenga la palanca de la mariposa de gases en la posición de ralentí.
- 3) Tire del arrancador de retroceso con fuerza.
- 4) Si resulta difícil arrancar el motor, abra la mariposa de gases 1/3. Preste atención a la cuchilla de corte, que puede girar.

Atención a la operación

Cuando el motor está boca arriba, puede salir humo blanco del silenciador.

PARADA

- 1) Suelte la palanca de la mariposa de gases (2) completamente y, cuando se hayan reducido las rpm del motor, ajuste el interruptor I-O en la posición "PARADA" para detener el motor.
- 2) Tenga en cuenta que es posible que el cabezal de corte no se detenga inmediatamente y permita que reduzca su velocidad hasta detenerse.



Accionamiento de la palanca de la mariposa de gases

Con la unidad principal de la palanca de la mariposa de gases sujeta con la mano (con la palanca de desbloqueo pulsada), tire de la palanca de la mariposa de gases y aumentará la rotación del motor. Suelte la palanca de la mariposa de gases y el motor volverá al ralentí. Suelte la mano de la unidad principal de la palanca de la mariposa de gases y la palanca de desbloqueo volverá automáticamente para que no se accione por error la palanca de la mariposa de gases.

Ajuste de la ROTACIÓN del motor

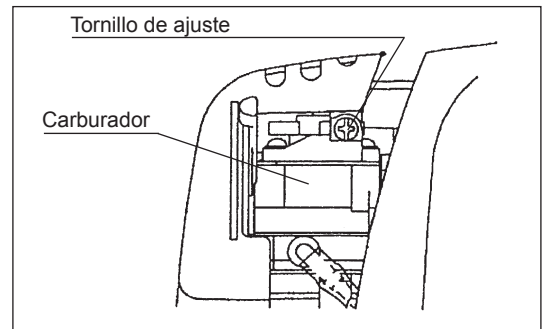
Cuando ajuste la rotación del motor con la palanca de la mariposa de gases abierta por completo, gire el dial de control de la mariposa de gases. Gire el dial en el sentido de las agujas del reloj y se reducirá la rotación del motor. Gire el dial en el sentido contrario a las agujas del reloj y aumentará la rotación del motor.

AJUSTE DE LA ROTACIÓN DE BAJA VELOCIDAD (RALENTÍ)

Cuando sea necesario ajustar la rotación a baja velocidad (ralentí), hágalo mediante el tornillo de ajuste del carburador.

COMPROBACIÓN DE LA ROTACIÓN A BAJA VELOCIDAD

- Ajuste la rotación a baja velocidad en 3.000 min^{-1} . Si es necesario cambiar la velocidad de rotación, regule el tornillo de ajuste (en la ilustración de la izquierda), con un destornillador Phillips.
- Gire el tornillo de ajuste hacia la derecha y aumentará la rotación del motor. Gire el tornillo de ajuste hacia la izquierda y se reducirá la rotación del motor.
- El carburador se suele ajustar antes del envío. Si se debe reajustar, póngase en contacto con un agente de servicio autorizado.



AFILADO DE LA HERRAMIENTA DE CORTE



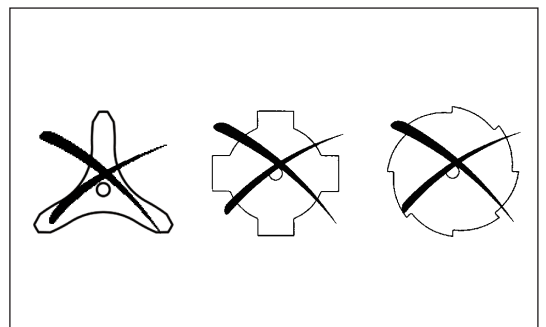
PRECAUCIÓN:

Las herramientas de corte que se enumeran a continuación sólo deben afilarse en un centro autorizado. El afilado manual causará desequilibrios en la herramienta de corte que provocarán vibraciones y daños en el equipo.

- cuchilla de corte
Los agentes de servicio autorizados proporcionan un servicio de afilado y equilibrado experto.

NOTA:

Para aumentar la duración de la cuchilla de corte dé la vuelta a la cuchilla una vez para que se gasten ambos lados.



CABEZAL DE CORTE DE NYLON

El cabezal de corte de nylon es una cabeza de corte de hilo dual de una desbrozadora con mecanismos de tope y avance, y automático.

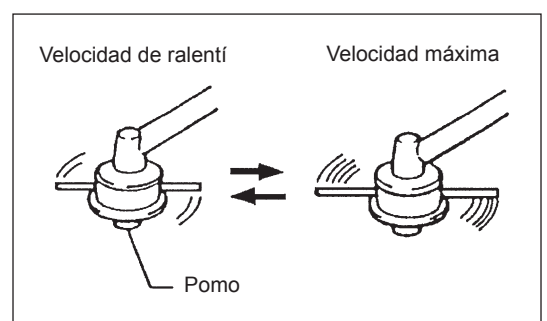
El cabezal de corte de nylon desplegará automáticamente la longitud correcta del hilo de nylon gracias a los cambios de la fuerza centrífuga provocados por el aumento o la reducción de las rpm. No obstante, para cortar hierba blanda de forma más eficiente, golpee el cabezal de corte de nylon contra el suelo para alargar los extremos del hilo como se indica en la sección de funcionamiento.

Funcionamiento

- Aumente la velocidad del cabezal de corte de nylon a aproximadamente 6.000 min^{-1} . La baja velocidad (menos de 4.800 min^{-1}) no es adecuada, el hilo de nylon no se desplegará correctamente a baja velocidad.
- El área más efectiva de corte se muestra mediante el área sombreada.

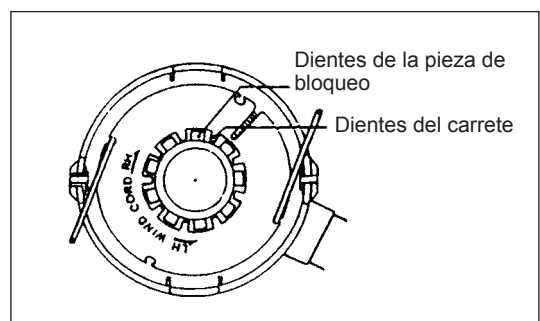
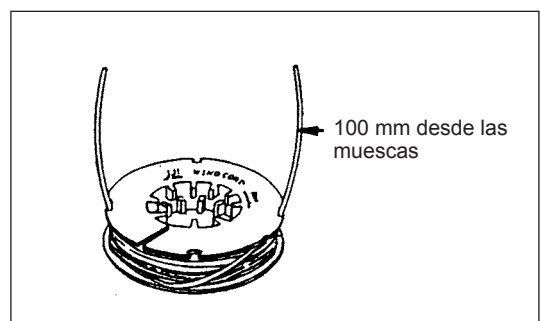
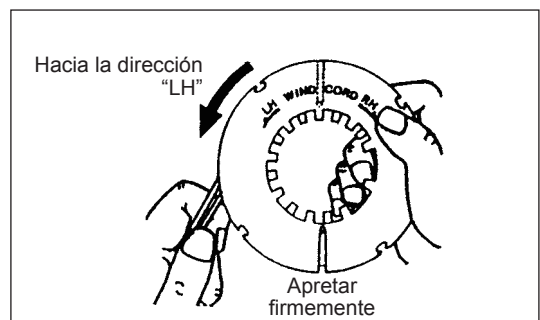
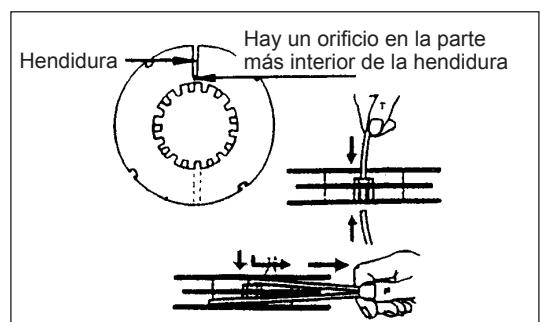
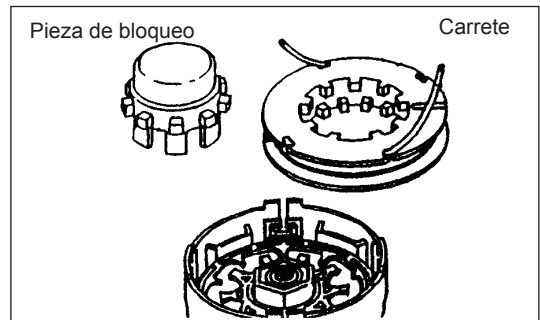
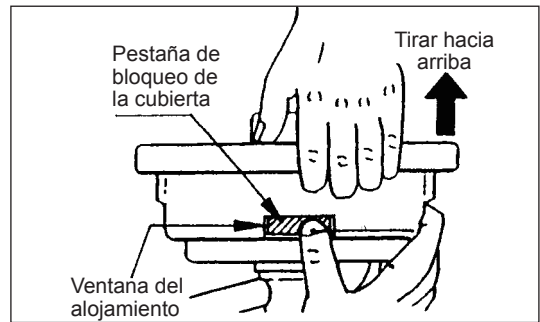
Si el hilo de nylon no se despliega automáticamente siga este procedimiento:

1. Suelte la palanca de la mariposa de gases para que el motor funcione al ralentí y luego aprétela completamente. Repita este procedimiento hasta que el hilo de nylon se alargue hasta la longitud correcta.
2. Si el hilo de nylon es demasiado corto para alargarse automáticamente mediante el procedimiento descrito, golpee el pomo del cabezal de corte de nylon contra el suelo para alargar el hilo de nylon.
3. Si el hilo de nylon no se alarga correctamente siguiendo el procedimiento 2, rebóbinelo o sustitúyalo siguiendo los procedimientos descritos en "Reemplazo del hilo de nylon".

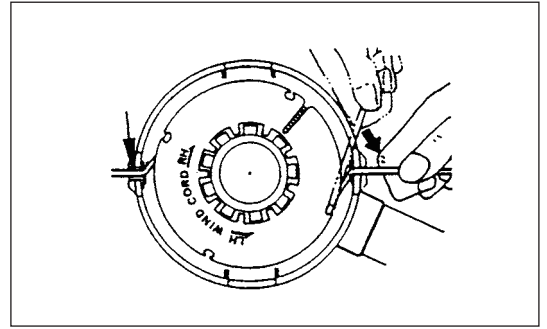


Reemplazo del hilo de nylon

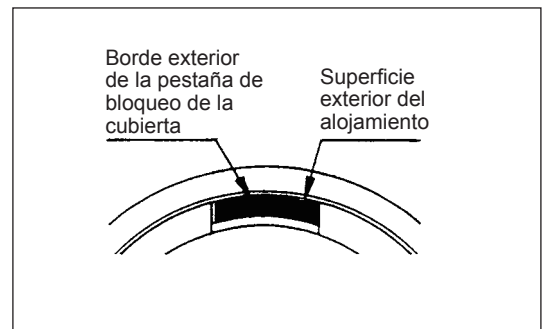
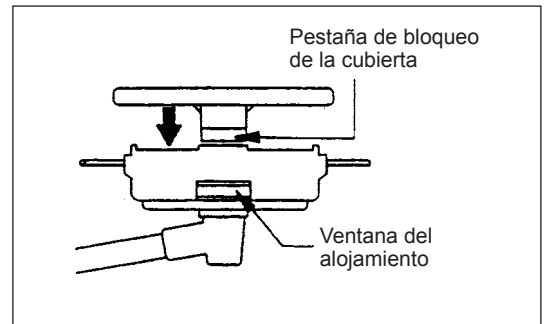
1. Extraiga la cubierta de su alojamiento pulsando las dos pestañas de bloqueo de la cubierta que se encuentran en lados opuestos del alojamiento.
2. Retire la pieza de bloqueo y el carrete del alojamiento.
3. Ponga cada uno de los hilos de corte en cada uno de los orificios de la parte más interior de la ranura de uno de los aros exteriores del carrete. Ponga los hilos en las canaletas del carrete a través de cada hendidura de los aros.
4. Enrolle los hilos firmemente en la dirección mostrada por la flecha de mano izquierda (LH) del aro. No cruce los hilos.
5. Enrolle la totalidad del hilo, excepto unos 100 mm (3-15/16"), dejando los extremos temporalmente enganchados alrededor de la hendidura del lateral del carrete.
6. Ponga la pieza de bloqueo en el centro del alojamiento, colocándolo de forma que se pueda mover libremente arriba y abajo contra la tensión del muelle. Ponga el carrete en el alojamiento, alineando los dientes del carrete y de la pieza de bloqueo alternativamente, como engranajes.



7. Haga pasar los hilos de corte por la ranura de los ojales.



8. Coloque la cubierta en el alojamiento, alineando las pestañas de la cubierta y las ventanas del alojamiento. Asegúrese de que la cubierta se fije de forma exacta en el alojamiento. El borde exterior de la pestaña de bloqueo y la superficie exterior del alojamiento deben estar en la misma circunferencia.



INSTRUCCIONES DE SERVICIO

PRECAUCIÓN: Antes de realizar algún trabajo en la desbrozadora, detenga siempre el motor y desconecte el conector de la bujía (consulte "comprobación de la bujía").
Utilice siempre guantes de protección.

Para garantizar una larga vida útil y para evitar daños en el equipo, realice las siguientes operaciones de mantenimiento periódicamente.

Inspección diaria y mantenimiento

- Antes de la puesta en funcionamiento, compruebe la máquina por si tiene tornillos flojos o si faltan piezas. Preste especial atención al apriete de la cuchilla o del cabezal de corte de nylon.
- Antes de la puesta en funcionamiento, compruebe siempre que el conducto de paso de aire de refrigeración y las aletas del cilindro no estén obstruidas.
Límpielos si es necesario.
- Realice diariamente las siguientes operaciones tras el uso:
 - Limpie el exterior de la desbrozadora y realice una inspección para localizar daños.
 - Limpie el filtro de aire. Cuando trabaje en condiciones extremas de polvo, limpie el filtro varias veces al día.
 - Compruebe si la cuchilla o el cabezal de corte de nylon están estropeados y asegúrese de que se hayan montado firmemente.
 - Compruebe que haya una diferencia suficiente entre la velocidad de ralentí y la velocidad de trabajo para garantizar que la herramienta de corte esté parada mientras el motor funciona al ralentí (si es necesario, reduzca la velocidad de ralentí).
Si en las condiciones de ralentí la herramienta sigue funcionando, consulte con su agente de servicio autorizado más cercano.
- Compruebe el funcionamiento del interruptor I-O, la palanca de desbloqueo, la palanca de control y el botón de bloqueo.

SUSTITUCIÓN DEL ACEITE DEL MOTOR

El aceite de motor deteriorado acortará en gran medida la duración de las partes deslizantes y giratorias. Asegúrese de comprobar el período y la cantidad de reemplazo.



ATENCIÓN: En general, la unidad principal del motor y el aceite de motor permanecen calientes después de apagar el motor.
Al reemplazar el aceite, compruebe que la unidad principal del motor y el aceite de motor se hayan enfriado suficientemente. De lo contrario, puede haber un riesgo de quemaduras.

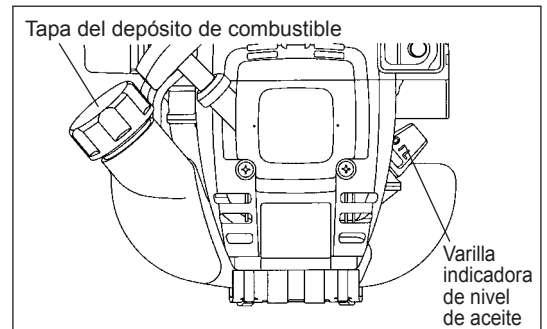
Nota: Si se llena aceite por encima del límite, puede contaminarse o incendiarse y provocar un humo blanco.

Intervalo de reemplazo: Inicialmente cada 20 horas de uso y posteriormente cada 50 horas de uso

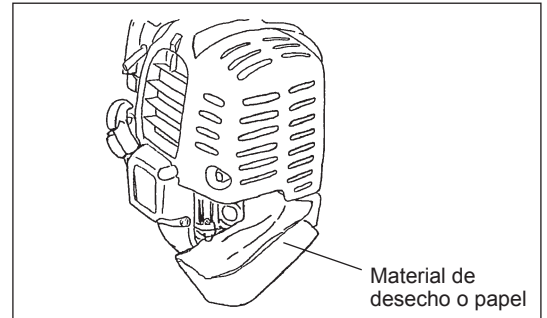
Aceite recomendado: Aceite SAE10W-30 de Clasificación API Clase SF o superior (aceite de motor de 4 tiempos para automoción)

Para el reemplazo, siga este procedimiento.

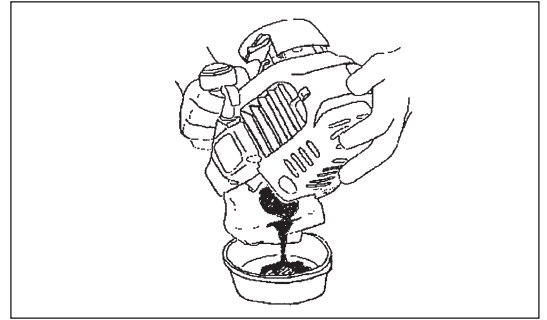
- 1) Compruebe que la tapa del depósito esté apretada de forma segura.
- 2) Extraiga la varilla indicadora del nivel de aceite.
Mantenga la varilla indicadora del nivel de aceite libre de polvo o suciedad.



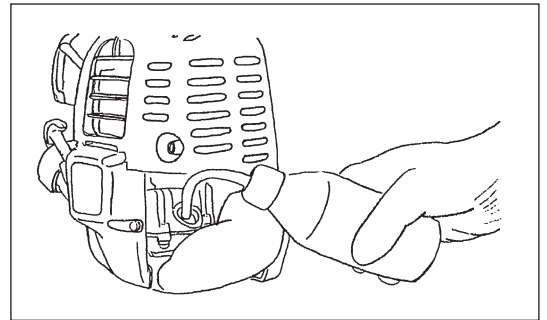
- 3) Coloque el material de desecho o un papel cerca de la abertura de rellenado de aceite.



- 4) Retire la varilla indicadora de aceite y drene el aceite, inclinando la unidad principal hacia la abertura de rellenado de aceite.
Drene el aceite en un contenedor para su eliminación controlada.



- 5) Mantenga el motor nivelado y añada nuevo aceite hasta el borde de la abertura de rellenado de aceite.
Para rellenar utilice un contenedor de rellenado de lubricante.
- 6) Tras el rellenado, apriete firmemente la varilla indicadora del nivel de aceite. Un apriete insuficiente de la varilla indicadora del nivel de aceite provocará fugas de aceite.



ASPECTOS SOBRE EL ACEITE

- Nunca deseche el motor de aceite reemplazado en la basura convencional, en el suelo o en la red de alcantarillado. La eliminación de los desechos de aceite está regulada por ley. Para eliminar esos desechos, siga las leyes y normativas aplicables. Si tiene alguna duda, póngase en contacto con un agente de servicio autorizado.
- El aceite se deteriorará aunque se guarde sin utilizar. Realice la inspección y el reemplazo a intervalos periódicos (reemplace con aceite nuevo cada 6 meses).

LIMPIEZA DEL FILTRO DE AIRE



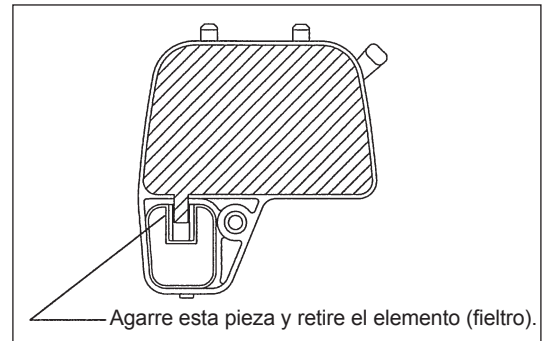
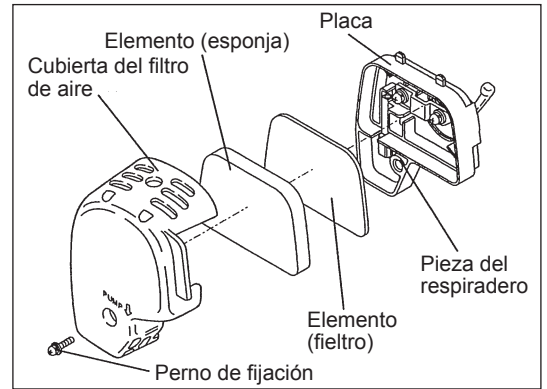
PELIGRO: LOS MATERIALES INFLAMABLES ESTÁN Estrictamente prohibidos

Intervalo de limpieza e inspección: Diariamente (cada 10 horas de uso)

- Gire la palanca del estrangulador hasta el lado de cierre total y mantenga el carburador alejado del polvo o de la suciedad.
- Extraiga los pernos de fijación de la cubierta del filtro de aire.
- Tire del lado inferior de la cubierta y extraiga la cubierta del filtro de aire.
- Si se ha adherido aceite al elemento (esponja), apriételo con fuerza.
- Si está muy contaminado:
 - 1) Retire el elemento (esponja), sumérjalo en agua caliente o en detergente neutro diluido en agua y séquelo completamente.
 - 2) Limpie el elemento (fieltro) con gasolina y séquelo completamente.
- Antes de montar el elemento, asegúrese de secarlo completamente. Un secado insuficiente del elemento puede provocar dificultades para arrancar.
- Limpie con un paño desechable el aceite adherido alrededor de la cubierta del filtro de aire y del respiradero de la placa.
- Inmediatamente tras finalizar la limpieza, monte la cubierta del filtro y apriétela con pernos de fijación. (Para volver a montar, primero coloque el gancho superior y después el gancho inferior.)

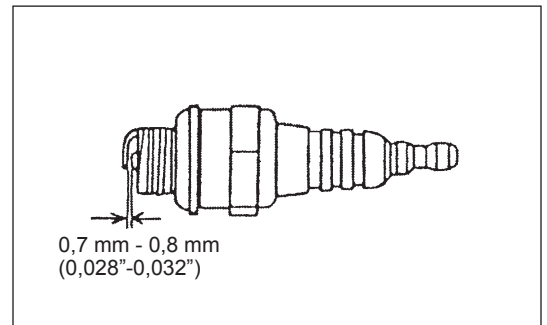
Aspectos sobre el manejo del elemento del filtro de aire

- Limpie el elemento varias veces al día si se adhiere a él un exceso de suciedad.
- Si se continúa con el uso sin limpiar de aceite el elemento, el aceite del filtro de aire puede caer en el exterior y provocar contaminación de aceite.



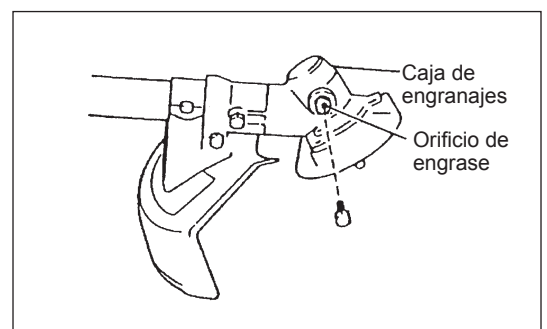
- Utilice solamente la llave de vaso suministrada para quitar o poner la bujía.
- La holgura entre los dos electrodos de la bujía debe ser de 0,7 - 0,8 mm (0,028"-0,032"). Si la holgura es demasiado grande o pequeña, ajústela. Si la bujía está obstruida o contaminada, límpiela minuciosamente o reemplácela.

PRECAUCIÓN: Nunca toque el conector de la bujía mientras el motor está funcionando (peligro de recibir una descarga eléctrica de alta tensión).



SUMINISTRO DE GRASA A LA CAJA DE ENGRANAJES

- Suministre grasa (Shell Alvania 2 o equivalente) a la caja de engranajes a través del orificio de engrase cada 30 horas. (Puede comprar grasa original de DOLMAR en su distribuidor DOLMAR.)



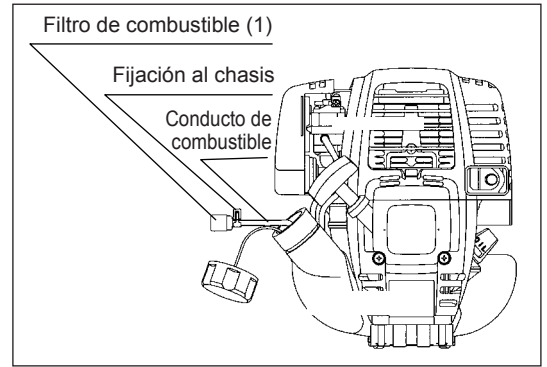
LIMPIEZA DEL FILTRO DE COMBUSTIBLE

ADVERTENCIA: LOS MATERIALES INFLAMABLES ESTÁN EstrictAMENTE PROHIBIDOS

Intervalo de limpieza e inspección: Mensualmente (cada 50 horas de uso)

Cabezal de succión en el depósito de combustible

- El filtro de combustible (1) del cabezal de succión se utiliza para proporcionar el combustible necesario para el carburador.
- Debe realizarse una inspección visual periódica del filtro de combustible. Para ello, abra la tapa del depósito y utilice un gancho de alambre para extraer el cabezal de succión a través de la abertura del depósito. Los filtros que se han endurecido, contaminado u obstruido se deben reemplazar.
- Un suministro de combustible insuficiente puede tener como resultado que se sobrepase la velocidad máxima permitida. Por lo tanto, es importante reemplazar el filtro de combustible como mínimo trimestralmente para garantizar un suministro satisfactorio de combustible al carburador.



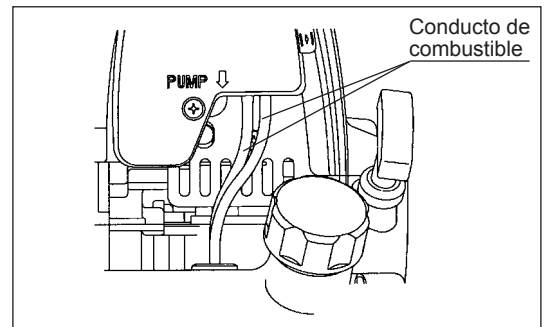
REEMPLAZO DEL CONDUCTO DE COMBUSTIBLE

PRECAUCIÓN: LOS MATERIALES INFLAMABLES ESTÁN EstrictAMENTE PROHIBIDOS

Intervalo de limpieza e inspección: Diariamente (cada 10 horas de uso)

Reemplazo: Anualmente (cada 200 horas de uso)

Reemplace el conducto de combustible cada año, independientemente de la frecuencia de utilización. La fuga de combustible puede provocar un incendio. Si se detecta una fuga durante la inspección, reemplace el conducto inmediatamente.



INSPECCIÓN DE LOS PERNOS, LAS TUERCAS Y LOS TORNILLOS

- Reapriete los pernos, tuercas, etc. flojos
- Compruebe si hay fugas de combustible y aceite.
- Reemplace las piezas dañadas con piezas nuevas para garantizar un uso seguro.

LIMPIEZA DE LAS PIEZAS

- Mantenga el motor siempre limpio.
- Mantenga las aletas del cilindro libres de polvo o suciedad. El polvo o la suciedad adheridos a las aletas provocarán el gripado del pistón.

REEMPLAZO DE LAS JUNTAS Y RETENES

Cuando vuelva a montar el motor tras desmontarlo, asegúrese de reemplazar las juntas y los retenes por unos nuevos.

Cualquier mantenimiento o trabajo de ajuste que no se describa en este manual solamente deben realizarlo agentes de servicio autorizados.

ALMACENAMIENTO

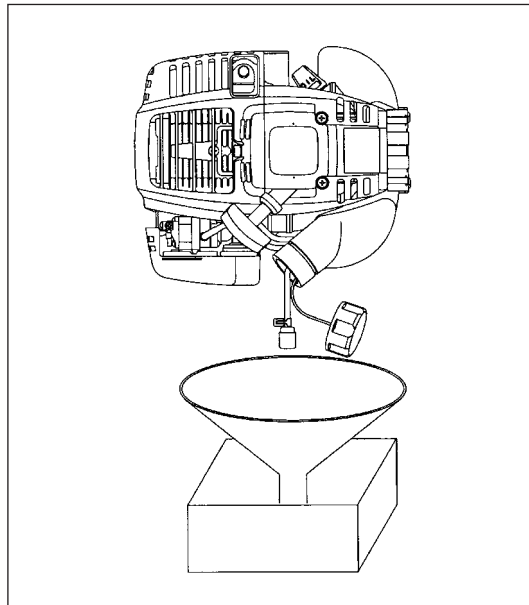


ADVERTENCIA: Cuando drene el combustible, asegúrese de detener el motor y comprobar que se haya enfriado. El motor puede estar aún caliente justo después de detenerlo y puede causar quemaduras, es inflamable y puede provocar un fuego.



ATENCIÓN: Cuando la herramienta no se vaya a usar durante mucho tiempo, drene todo el combustible del depósito de combustible y el carburador y manténgalo en un lugar seco y limpio.

- Drene el combustible del depósito de combustible y del carburador de acuerdo con el siguiente procedimiento:
 - 1) Extraiga la tapa del depósito de combustible y drene el combustible completamente.
Si queda algún objeto extraño en el depósito de combustible, retírelo completamente.
 - 2) Extraiga el filtro de combustible de la abertura de relleno mediante un alambre.
 - 3) Presione la bomba de combustible hasta que se haya drenado el combustible y drene el combustible que entra en el depósito de combustible.
 - 4) Vuelva a colocar el filtro en el depósito de combustible y fije firmemente la tapa del depósito de combustible.
 - 5) A continuación, continúe con la máquina encendida hasta que el motor se detenga.
- Extraiga la bujía y aplique varias gotas de aceite de motor a través del orificio de la bujía.
- Tire suavemente de la empuñadura de arranque para que el aceite de motor se extienda por el motor y, a continuación, vuelva a colocar la bujía.
- Monte la cubierta en la cuchilla de corte.
- Durante el almacenamiento, mantenga la barra en posición horizontal o mantenga la máquina en posición vertical con el borde de la cuchilla orientado hacia arriba. (En ese caso, preste especial atención para evitar que la máquina caiga.)
Nunca almacene la máquina con el borde de la cuchilla de corte orientado hacia abajo. El aceite de lubricación puede derramarse.
- Mantenga el combustible drenado en un contenedor especial en una zona a la sombra y bien ventilada.



Atención tras un almacenamiento prolongado

- Antes de poner en marcha la herramienta tras estar apagada durante un período de tiempo prolongado, asegúrese de reemplazar el aceite (consulte la P 133). El aceite se deteriorará durante el tiempo que la máquina haya permanecido sin utilizar.

Ubicación del fallo

Avería	Sistema	Observación	Causa
El motor no se enciende o lo hace con dificultad	Sistema de encendido	Chispa de encendido correcta	Avería en el sistema de suministro de combustible o compresión, defecto mecánico
		No hay chispa de encendido	Se ha utilizado el interruptor de PARADA, avería del cableado o cortocircuito, bujía o conector defectuoso, módulo de encendido defectuoso
	Suministro de combustible	Depósito de combustible lleno	Posición incorrecta del estrangulador, carburador defectuoso, línea de suministro de combustible doblada o bloqueada, combustible sucio
	Compresión	No hay compresión	La junta inferior del cilindro es defectuosa, los retenes del cigüeñal están dañados, el cilindro o los segmentos del pistón están dañados o el sellado de la bujía es incorrecto
Problemas de arranque en caliente	Avería mecánica	El arrancador no funciona	Muelle del arrancador roto, piezas rotas dentro del motor
		Depósito lleno, se produce la chispa de encendido	Carburador contaminado, límpielo
El motor arranca pero se para	Suministro de combustible	Depósito lleno	Ajuste del ralentí incorrecto, carburador sucio
Rendimiento insuficiente	Varios sistemas pueden verse afectados simultáneamente	Bajo ralentí del motor	Ventilación del depósito defectuosa, línea de suministro de combustible interrumpida, cable o interruptor de PARADA defectuoso
			Filtro de aire sucio, carburador sucio, silenciador obstruido, conducto de escape del cilindro obstruido

Elemento	Tiempo de funcionamiento	Antes del uso	Después de la lubricación	Diariamente (10 h)	30 h	50 h	200 h	Apagado/descanso	P correspondiente
Aceite de motor	Inspeccione/ limpie	○							128
	Reemplace					○*1			134
Apretar piezas (perno, tuerca)	Inspeccione	○							137
Depósito de combustible	Limpie/ inspeccione	○							—
	Vacíe el combustible							○*3	138
Palanca de la mariposa de gases	Compruebe el funcionamiento		○						—
Interruptor de parada	Compruebe el funcionamiento		○						131
Cuchilla de corte	Inspeccione	○		○					126
Rotación a baja velocidad	Inspeccione/ ajuste			○					132
Filtro de aire	Limpie			○					136
Bujía	Inspeccione			○					136
Conducto de aire de refrigeración	Limpie/ inspeccione			○					137
Conducto de combustible	Inspeccione			○					137
	Reemplace						◎*2		—
Grasa de la caja de engranajes	Rellene				○				136
Filtro de combustible	Limpie/ Reemplace					○			137
Holgura entre la válvula de entrada de aire y la válvula de descarga de aire	Ajuste						◎*2		—
Tubo de aceite	Inspeccione						◎*2		
Revisión del motor							◎*2		—
Carburador	Vacíe el combustible							○*3	138

*1 Realice el reemplazo inicial tras 20 horas de uso.

*2 Para la inspección de 200 horas de uso, consulte con un agente de servicio autorizado o su tienda de maquinaria.

*3 Tras vaciar el depósito de combustible, siga haciendo funcionar el motor y drene el combustible del carburador.

LOCALIZACIÓN Y SOLUCIÓN DE AVERÍAS

Antes de realizar una solicitud de reparación, compruebe usted mismo el problema. Si encuentra una anomalía, controle la máquina de acuerdo con la descripción de este manual. Nunca manipule ni desmonte ninguna pieza de forma contraria a la descripción. Si es necesario realizar reparaciones, póngase en contacto con un agente de servicio autorizado o un distribuidor local.

Estado anómalo	Causa probable (mal funcionamiento)	Solución
El motor no se enciende	No se ha accionado la bomba de cebado	Púlsela de 7 a 10 veces
	Se ha tirado del cable del arrancador a baja velocidad	Tire con fuerza
	Falta de combustible	Reposte combustible
	Filtro de combustible obstruido	Limpie
	Tubo de combustible roto	Enderece el tubo de combustible
	Combustible deteriorado	El combustible deteriorado hace que la puesta en marcha sea más difícil. Reemplácelo con uno nuevo. (Reemplazo recomendado: 1 mes)
	Succión de combustible excesiva	Ajuste la palanca de la mariposa de gases entre una velocidad media y alta y tire de la empuñadura de arranque hasta que se ponga en marcha el motor. Cuando se haya puesto en marcha el motor, la cuchilla de corte empezará a girar. Preste atención a la cuchilla de corte. Si el motor sigue sin encenderse, extraiga la bujía, seque el electrodo y vuelva a montarla en su posición original. A continuación, arranque como se ha especificado.
	Tapa de la bujía suelta	Acóplela firmemente
	Bujía sucia	Limpie
	Holgura anómala de la bujía	Ajústela
	Otras anomalías de la bujía	Reemplace
	Anomalía del carburador	Solicite que se realice la inspección y mantenimiento.
	No se puede tirar de la cuerda del arrancador	Solicite que se realice la inspección y mantenimiento.
	Anomalía del sistema de transmisión	Solicite que se realice la inspección y mantenimiento.
El motor se para al poco tiempo La velocidad del motor no aumenta	Calentamiento insuficiente	Realice la operación de calentamiento
	La palanca del estrangulador está ajustada en "CERRAR" aunque el motor se ha calentado.	Ajústela en "ABRIR"
	Filtro de combustible obstruido	Limpie
	Filtro de aire sucio u obstruido	Limpie
	Anomalía del carburador	Solicite que se realice la inspección y mantenimiento.
	Anomalía del sistema de transmisión	Solicite que se realice la inspección y mantenimiento.
La cuchilla de corte no gira ↓ Pare el motor inmediatamente	La tuerca de apriete de la cuchilla de corte se ha aflojado	Apriétela firmemente
	Pequeñas ramas atrapadas por la cuchilla de corte o la cubierta para impedir su dispersión.	Retire los objetos extraños
	Anomalía del sistema de transmisión	Solicite que se realice la inspección y mantenimiento.
La unidad principal vibra de forma anómala ↓ Pare el motor inmediatamente	La cuchilla de corte está rota, doblada o gastada	Reemplace la cuchilla de corte
	La tuerca de apriete de la cuchilla de corte se ha aflojado	Apriétela firmemente
	Se ha movido la parte convexa de la cuchilla de corte y el soporte de la cuchilla de corte.	Acóplelo firmemente
	Anomalía del sistema de transmisión	Solicite que se realice la inspección y mantenimiento.
La cuchilla de corte no se detiene inmediatamente ↓ Pare el motor inmediatamente	Rotación al ralentí elevada	Ajuste
	Se ha soltado el cable de la mariposa de gases	Acóplelo firmemente
	Anomalía del sistema de transmisión	Solicite que se realice la inspección y mantenimiento.
El motor no se para ↓ Haga funcionar el motor al ralentí y ajuste la palanca de la mariposa de gases en CERRAR	Conector desconectado	Acóplelo firmemente
	Anomalía del sistema eléctrico	Solicite que se realice la inspección y mantenimiento.

Cuando el motor no se ponga en marcha tras la operación de calentamiento:

Si no hay ninguna anomalía en los elementos comprobados, abra la mariposa de gases 1/3 y ponga en marcha el motor.

Obrigado por ter adquirido esta roçadeira a gasolina DOLMAR. Temos o orgulho de recomendar a roçadeira a gasolina DOLMAR que é o resultado dos nossos muitos anos de conhecimento, experiência e um programa de desenvolvimento detalhado.

Leia esta brochura cuidadosamente que se refere em pormenor aos vários pontos que irão demonstrar o fantástico desempenho. Assim poderá obter o melhor desempenho possível que a sua roçadeira a gasolina DOLMAR pode proporcionar.



Índice	Página
Símbolos.....	141
Instruções de segurança	142
Dados técnicos	146
Designação de peças.....	147
Montagem da pega.....	148
Montagem do protector	149
Montagem da lâmina de corte ou da cabeça de corte em nylon.....	150
Antes de iniciar o funcionamento	151
Manuseamento correcto da máquina.....	153
Pontos sobre o funcionamento e como parar.....	153
Voltar a afiar a ferramenta de corte.....	155
Instruções de serviço.....	157
Armazenamento	161

SÍMBOLOS

Tome atenção aos seguintes símbolos ao ler o manual de instruções.

	Leia o manual de instruções e siga os avisos e as precauções de segurança!		Use um capacete e protecção para os olhos e ouvidos!
	Tenha um cuidado e atenção especiais!		Velocidade máxima admissível da ferramenta
	Proibido!		Combustível (Gasolina)
	Mantenha-se afastado!		Arranque manual do motor
	Perigo de objectos voadores!		Paragem de emergência
	Proibido fumar!		Primeiros-socorros
	Sem chamas abertas!		Reciclagem
	Deve utilizar luvas de protecção!		LIGAR/ARRANCAR
	Use botas resistentes com solas não derrapantes. Recomenda-se a utilização de botas de segurança com biqueira de aço!		DESLIGAR/PARAR
	Recuo!		
	Mantenha a área de funcionamento livre de pessoas e animais!		

INSTRUÇÕES DE SEGURANÇA

Instruções gerais

- Para assegurar um funcionamento correcto, certifique-se de que lê e entende este manual de instruções para saber como se utiliza a roçadeira a gasolina. Utilizar este equipamento sem entender como operá-lo correctamente pode resultar em ferimentos graves em si ou em outros.
- Empreste a roçadeira a gasolina apenas a pessoas que tenham experiência comprovada na utilização de roçadeiras a gasolina. Empreste-lhes sempre este manual de instruções ao mesmo tempo.
- Se é a primeira vez que utiliza uma roçadeira com motor, consulte o seu revendedor para instruções básicas.
- Crianças e pessoas novas com menos de 18 anos não devem operar a roçadeira a gasolina. Pessoas com mais de 16 anos podem, no entanto, utilizar o dispositivo para efeitos de treino, apenas durante a supervisão de um formador qualificado.
- Utilize a roçadeira a gasolina com muito cuidado e atenção.
- Opere a roçadeira a gasolina apenas se estiver numa boa condição física. Efectue todos os trabalhos com calma e cuidado. O utilizador deve aceitar a responsabilidade pelos que estão em sua volta.
- Nunca utilize a roçadeira a gasolina após o consumo de álcool ou drogas, ou se estiver cansado ou doente.

Utilização pretendida da máquina

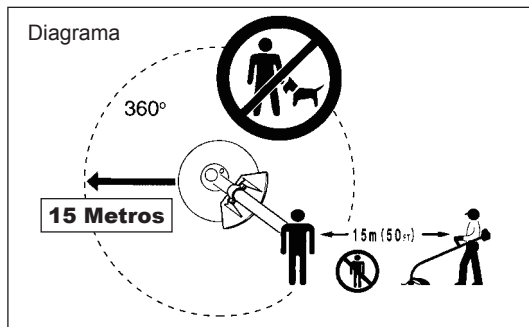
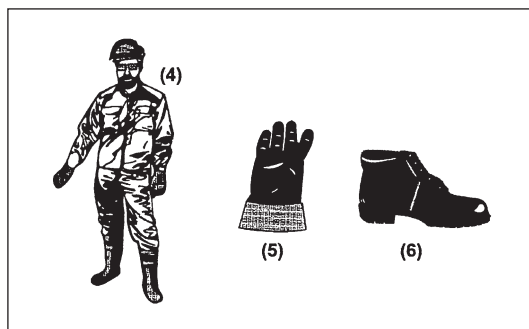
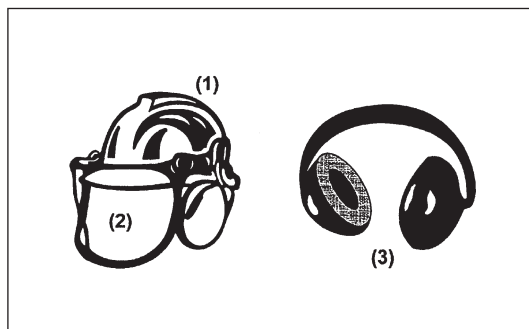
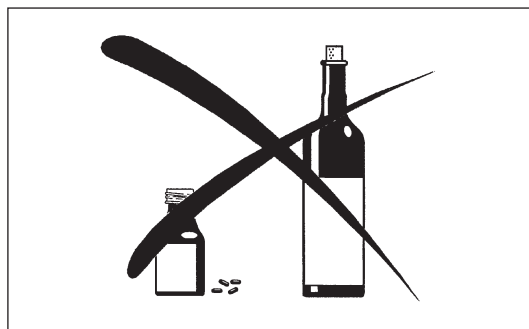
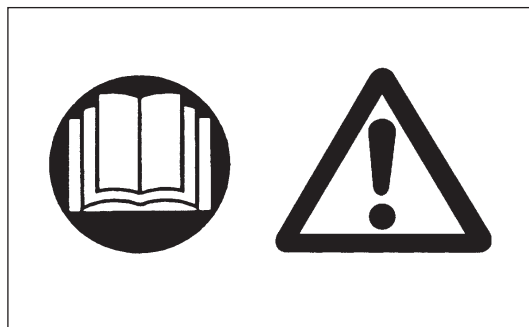
- A roçadeira a gasolina é destinada apenas ao corte de relva, erva, arbustos, herbáceos, não deve ser utilizada para outro fim como aparar ou podar sebes, uma vez que pode causar ferimentos.

Equipamento de protecção pessoal

- Utilize sempre roupas que sejam funcionais e apropriadas ao seu trabalho, isto é, que fiquem justas mas não demasiado apertadas ao ponto de causar um movimento desconfortável. Não utilize joalharia ou roupas que possam ficar presas nos arbustos.
- Para evitar ferimentos na cabeça, olhos, mãos ou pés, assim como para proteger a sua audição, deve utilizar o seguinte equipamento e roupa de protecção durante o funcionamento da roçadeira a gasolina.
- Utilize um capacete sempre que existir risco de queda de objectos. Deve verificar regularmente se existem danos no capacete protector (1) e deve substituí-lo, no mínimo, após 5 anos. Utilize apenas capacetes protectores aprovados.
- O visor (2) do capacete (ou óculos, em alternativa) protege a face de resíduos e pedras. Durante o funcionamento da roçadeira a gasolina, utilize sempre óculos ou um visor para evitar ferimentos oculares.
- Use equipamento de protecção contra ruído adequado para evitar deficiências auditivas (protector auditivo (3), tampões para os ouvidos etc.).
- Os fatos-macaco (4) protegem contra pedras e resíduos. Recomendamos vivamente que o utilizador use fatos-macaco.
- Luvas especiais (5) feitas de couro espesso fazem parte do equipamento prescrito e devem ser sempre usadas durante o funcionamento da roçadeira a gasolina.
- Ao usar a roçadeira a gasolina, use sempre sapatos resistentes (6) com uma sola não derrapante. Estes sapatos protegem contra ferimentos e asseguram um bom apoio.

Iniciar a roçadeira a gasolina

- Certifique-se de que não há crianças ou outras pessoas a trabalhar num raio de 15 metros (50 pés), tome também atenção a animais nas proximidades.
- Antes de utilizar, certifique-se de que a roçadeira a gasolina pode funcionar em segurança: Certifique-se de que a ferramenta de corte é segura, de que a alavanca de controlo pode ser operada facilmente e de que o bloqueio da alavanca de controlo está a funcionar correctamente.
- A rotação da ferramenta de corte durante a marcha lenta é proibida. Consulte o seu revendedor se achar que o equipamento pode precisar de ajustes. Certifique-se de que as pegas estão limpas e secas e de que o botão de arranque/paragem está a funcionar correctamente.

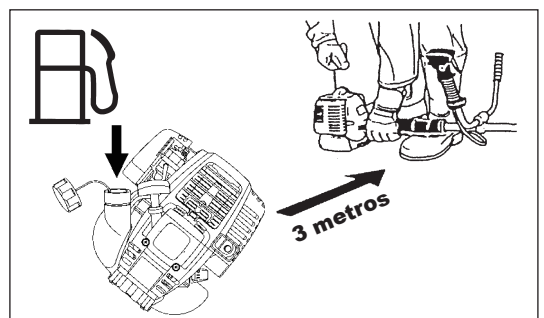
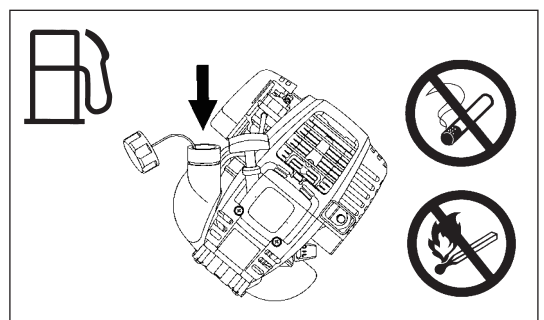
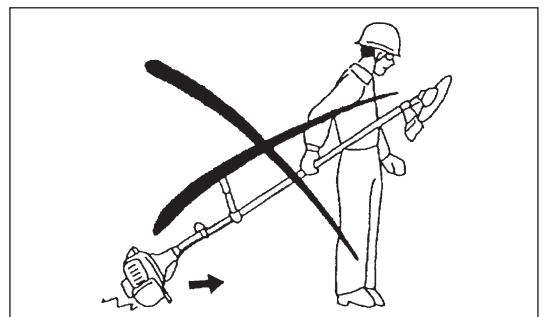
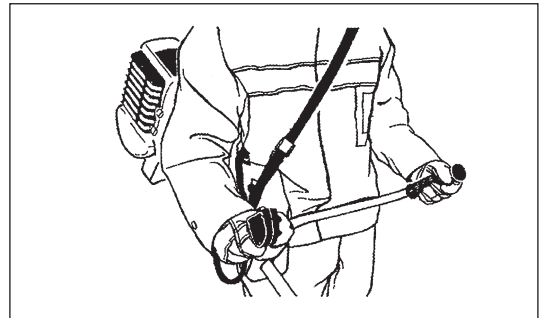
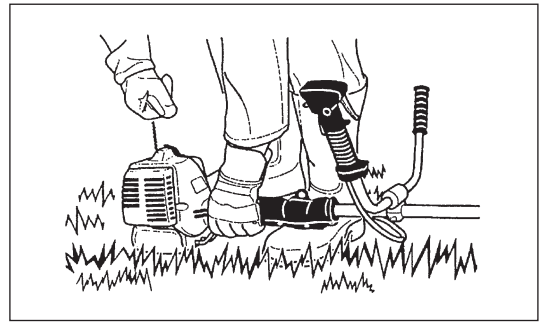


Inicie a roçadeira a gasolina apenas de acordo com as instruções.

- Não utilize outros métodos para arrancar o motor!
- Utilize a roçadeira a gasolina e as ferramentas apenas para essas aplicações como especificado.
- Apenas arranque o motor da roçadeira a gasolina, depois do equipamento estar devidamente montado. Não opere o equipamento até que todos os acessórios apropriados estejam fixos!
- Antes de arrancar, certifique-se de que a ferramenta de corte não está em contacto com objectos duros como ramos, pedras etc., uma vez que a ferramenta de corte irá rodar ao arrancar.
- Desligue o motor imediatamente se ocorrer algum tipo de problema no motor.
- Caso a ferramenta de corte atinja pedras ou outros objectos duros, desligue imediatamente o motor e inspeccione a ferramenta de corte.
- Inspeccione a ferramenta de corte em intervalos curtos regulares para se certificar de que não está danificada (detecção de fissuras utilizando o teste do toque).
- Opere a roçadeira a gasolina apenas depois de fixar e ajustar a alça do ombro ao comprimento correcto antes de colocar a roçadeira a gasolina em funcionamento. A alça do ombro deve estar ajustada ao tamanho do utilizador para evitar fadiga durante o manuseamento do equipamento. Nunca segure a roçadeira com uma mão durante a utilização.
- Durante o funcionamento, segure sempre a roçadeira a gasolina com ambas as mãos.
Certifique-se sempre de que tem um apoio seguro.
- Opere a roçadeira a gasolina de maneira a evitar a inalação dos gases de escape. Nunca arranque o motor num espaço fechado (risco de envenenamento por gás). O monóxido de carbono é um gás sem odor.
- Desligue sempre o motor quando estiver em repouso, ou se pretende deixar a roçadeira a gasolina sem vigilância, e coloque-o num local seguro para evitar ferimentos a outras pessoas e danos no equipamento.
- Nunca coloque a roçadeira a gasolina quente no vidro seco ou em quaisquer outros materiais combustíveis.
- A ferramenta de corte tem de estar equipada com o resguardo apropriado. Nunca arranque a roçadeira sem este resguardo!
- Todas as instalações de protecção e resguardos fornecidos com esta máquina devem ser usados durante o funcionamento.
- Nunca opere o motor se o silenciador de escape estiver avariado.
- Desligue o motor durante o transporte.
- Durante o transporte em longas distâncias, utilize sempre o equipamento de protecção da ferramenta incluído.
- Certifique-se de que a roçadeira a gasolina está posicionada de forma segura durante o transporte para evitar a fuga de combustível.
- Ao transportar a roçadeira a gasolina, certifique-se de que o depósito de combustível está completamente vazio.
- Ao descarregar a roçadeira a gasolina relva do camião, nunca deixe cair o motor para o chão porque isso pode danificar gravemente o depósito de combustível.
- Excepto em caso de emergência, nunca deixe cair a roçadeira a gasolina ao chão porque isso poderá danificar gravemente a roçadeira a gasolina.
- Lembre-se de levantar todo o equipamento do chão ao movê-lo. Arrastar o equipamento no seu depósito de tanque é muito perigoso e pode causar uma fuga de combustível, o que pode resultar num incêndio.

Reabastecimento de combustível

- Desligue o motor durante o reabastecimento de combustível, mantenha-se longe das chamas abertas e não fume.
- Certifique-se de que produtos de óleo mineral não entram em contacto com a pele. Não inale o vapor do combustível. Use sempre luvas protectoras durante o reabastecimento. Mude e limpe a roupa protectora em intervalos regulares.
- Para evitar contaminação do solo (protecção ambiental), certifique-se de que não derrama combustível ou óleo no chão. Limpe a roçadeira a gasolina relva imediatamente após o derramamento de combustível.
- Certifique-se de que o combustível não entra em contacto com as roupas. Se o combustível entrar em contacto com as suas roupas, mude essas roupas imediatamente (para evitar um incêndio).
- Inspeccione o tampão do depósito em intervalos regulares para se certificar de que está bem seguro e não pinga.
- Aperte, com cuidado, a tampa do depósito de combustível. Mude de local para arrancar o motor (pelo menos a 3 metros de distância de onde reabasteceu).
- Nunca reabasteça num espaço fechado. Os vapores de combustível acumulam ao nível do solo (risco de explosões).
- Transporte e armazene o combustível apenas em recipientes aprovados. Certifique-se de que o combustível armazenado não é acessível a crianças.



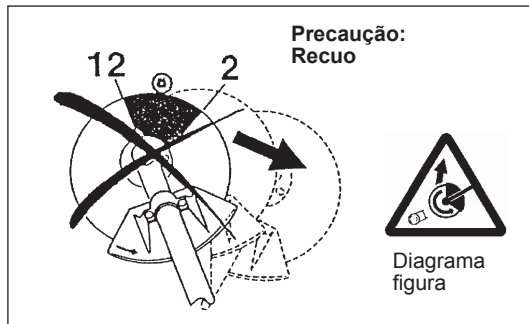
Método de funcionamento

- Utilize apenas a roçadeira a gasolina com boas condições de iluminação e visibilidade. Durante a época de Inverno, tenha cuidado com áreas escorregadias ou molhadas, gelo e neve (risco de escorregar). Certifique-se sempre de que tem um apoio seguro.
- Nunca corte acima da altura dos ombros.
- Nunca esteja em cima de uma escada e ligue a roçadeira a gasolina.
- Nunca suba a árvores para executar uma operação de corte com a roçadeira a gasolina.
- Nunca trabalhe em superfícies instáveis.
- Remova areia, pedras, pregos etc encontrados na área de trabalho. Partículas estranhas podem danificar a ferramenta de corte e causar recuos perigosos.
- Antes de começar a cortar, certifique-se de que a ferramenta de corte atingiu a velocidade de funcionamento completa.



Recuo

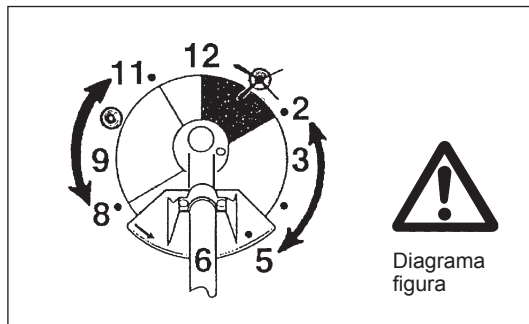
- Ao operar a roçadeira a gasolina poderão ocorrer recuos não controlados.
- Os recuos ocorrem frequentemente ao tentar cortar com a secção 12 a 2 horas da lâmina.
- Nunca aplique a secção 12 a 2 horas da lâmina da roçadeira a gasolina.
- Nunca aplique esta secção da lâmina da roçadeira a gasolina a objectos sólidos tais como arbustos ou árvores etc. que tenham um diâmetro maior do que 3 cm ou a roçadeira a gasolina desvia-se com uma grande quantidade de força e pode causar ferimentos.



Prevenção de recuos

Para evitar recuos, lembre-se do seguinte:

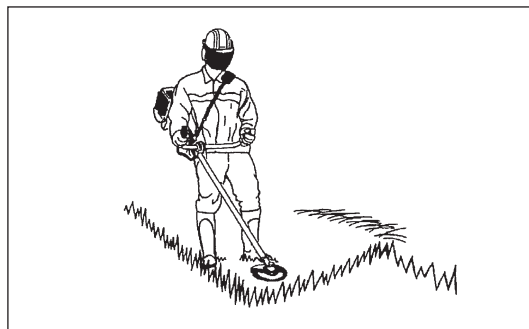
- Utilizar a secção 12 a 2 horas da lâmina é muito perigoso, especialmente ao utilizar ferramentas de corte de metal.
- As operações de corte dentro de um segmento de lâmina entre 11 e 12 horas e entre 2 e 5 horas devem ser efectuadas apenas por técnicos especializados e experientes e a seu próprio risco. A secção de corte óptima para corte fácil com quase nenhum recuo está na secção 8 a 11 horas da lâmina.



Ferramentas de corte

Utilize apenas a ferramenta de corte correcta para o trabalho a efectuar.

MS-335.4 U com lâmina de corte, cabeça de corte em nylon
Para cortar materiais como ervas, relva grossa, arbustos, herbáceos, moita etc. (máx. 2 cm de diâmetro, espessura). Efectue este trabalho de corte ao balançar a roçadeira a gasolina de maneira equilibrada em semi-círculo da direita para a esquerda (semelhante à utilização de uma foice).



Instruções de manutenção

- O estado da roçadeira, em particular da ferramenta de corte dos dispositivos de protecção e também da alça do ombro tem de ser verificado antes de iniciar o trabalho. Deve também prestar especial atenção às lâminas de corte, que devem estar devidamente afiadas.
- Desligue o motor e remova o conector da vela de ignição ao substituir ou afiar as ferramentas de corte, e também ao limpar a roçadeira ou ferramenta de corte.

Nunca alise ou solde ferramentas de corte danificadas.

- Opere a roçadeira a gasolina com o mínimo de ruído e contaminação possível. Em particular, verifique se o carburador está devidamente instalado.
- Limpe a roçadeira a gasolina em intervalos regulares e certifique-se de que todos os parafusos estão bem apertados.
- Nunca opere ou guarde a roçadeira a gasolina nas proximidades de chamas ardentes.
- Guarde sempre a roçadeira a gasolina em salas fechadas e com um depósito de combustível esvaziado.



Observe as instruções de prevenção de acidentes relevantes emitidas pelas associações comerciais relevantes e companhias de seguros. Não efectue quaisquer modificações na roçadeira a gasolina pois isto estará a comprometer a sua segurança.

O desempenho do trabalho de manutenção ou reparação pelo utilizador é limitado às actividades descritas no manual de instruções. O resto do trabalho deverá ser efectuado por um Agente de Serviço Autorizado. Utilize apenas partes sobresselentes genuínas e acessórios lançados e fornecidos pela DOLMAR.

Utilizar acessórios e ferramentas não aprovados provocará um risco maior de acidentes.

A DOLMAR não aceitará qualquer responsabilização por acidentes ou danos provocados pela utilização de ferramentas de corte não aprovadas e dispositivos de fixação de ferramentas de corte ou acessórios.

Primeiros-socorros

Em caso de acidente, certifique-se de que uma caixa de primeiros socorros está disponível nas proximidades das operações de corte. Substitua imediatamente qualquer item retirado da caixa de primeiros socorros.

Ao pedir ajuda, forneça a seguinte informação:

- Local do acidente
- O que aconteceu?
- Número de pessoas feridas
- Tipo de ferimentos
- O seu nome



Embalar

A roçadeira a gasolina DOLMAR será fornecida em duas caixas de cartão protectoras para evitar danos durante o transporte. O cartão é uma matéria-prima básica e, logo, é consequentemente reutilizável ou adequado para reciclagem (reciclagem de papel/cartão).



DECLARAÇÃO DE CONFORMIDADE CE

Modelo; MS-335.4 U

Declaramos, sob a nossa única responsabilidade, que este produto está em conformidade com as seguintes Directivas, 2004/108/EC, 2000/14/EC, 98/37/EC até 28 de Dezembro de 2009 e depois com 2006/42/EC a partir de 29 de Dezembro de 2009.

As normas mais importantes aplicadas para cumprir os requisitos das Directivas acima foram: EN11806, EN55012.

Potência sonora medida: 109,7 dB (A)

Garantia da Potência sonora: 112 dB (A)

Os níveis de potência sonora são calculados de acordo com a Directiva do Conselho, 2000/14/CE.

Procedimento de conformidade de avaliação: Anexo V.

19. DEZ. 2008

Tamiro Kishima
Director-gera

Rainer Bergfeld
Director-geral

Fabricante responsável:

Makita Corporation

3-11-8, Sumiyoshi-cho, Anjo, Aichi, JAPÃO

Representante autorizado na Europa:

DOLMAR GmbH

Jenfelder Str. 38, 22045 Hamburg, Germany

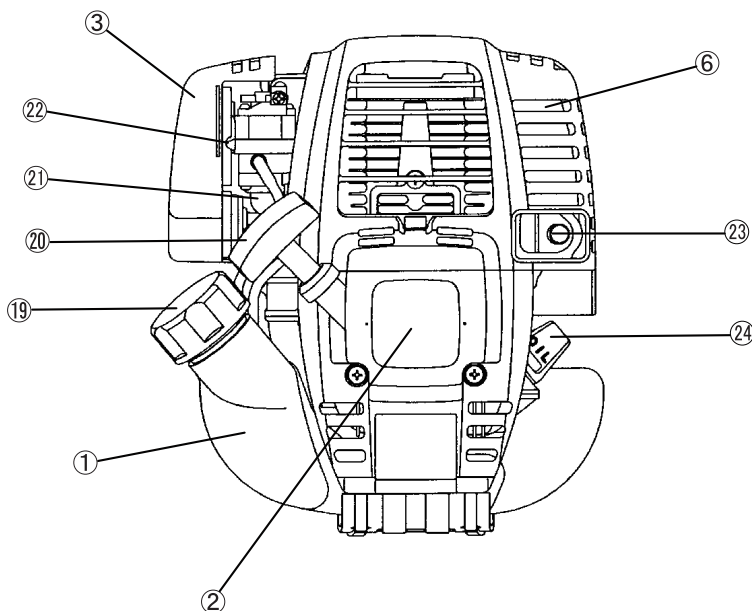
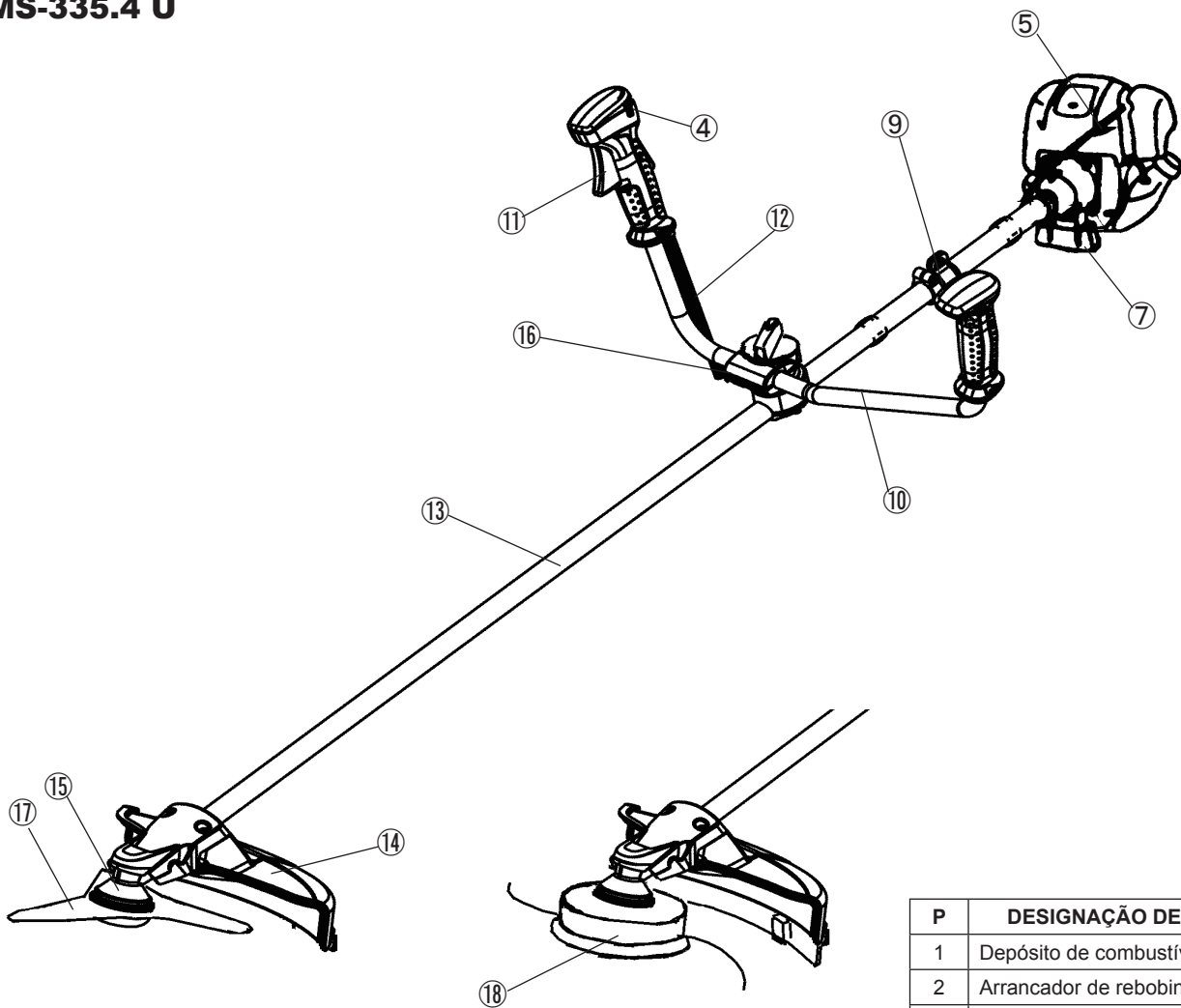
DADOS TÉCNICOS MS-335.4 U

Modelo		MS-335.4 U		
		Pega em U		
Dimensões: comprimento x largura x altura (sem a lâmina de corte)	mm	1.810 x 620 x 500		
Massa (sem resguardo de plástico e lâmina de corte)	kg	7,1		
Volume (depósito de combustível)	L	0,65		
Volume (depósito de óleo)	L	0,1		
Deslocamento do motor	cm ³	33,5		
Desempenho máximo do motor ISO8893	kw	1,07 a 7.000 min ⁻¹		
Frequência de rotação máxima do veio	min ⁻¹	6.850		
Velocidade do motor a frequência máxima de rotação do veio recomendada	min ⁻¹	10.000		
Consumo de combustível a desempenho máximo do motor ISO8893	kg/h	0,458		
Consumo de combustível específico a desempenho máximo do motor	g/kwh	426		
Velocidade do motor ao ralenti	min ⁻¹	3.000		
Velocidade da embraiagem	min ⁻¹	4.100		
Carburador (diafragma - carburador)	tipo	WALBRO WYL		
Sistema de ignição	tipo	Ignição de estado sólido		
Vela de ignição	tipo	NGK CMR4A		
Separação de eléctrodos	mm	0,7 - 0,8		
Vibração por ISO 22867 ¹⁾	Pega (Cabo traseiro)	Marcha lenta	m/s ²	1,34
		Sobrevelocidade ou W.O.T	m/s ²	4,39
	Pega esquerda (Cabo dianteiro)	Marcha lenta	m/s ²	1,28
		Sobrevelocidade ou W.O.T	m/s ²	3,26
Média do nível de pressão sonora para ISO 22868 ¹⁾	dBA	98,2		
Média do nível de potência sonora para ISO 22868 ¹⁾	dBA	106,7		
Combustível	Gasolina			
Óleo do motor	Óleo 10W-30 SAE de classificação API, Classe SF ou superior (motor a 4 tempos para automóvel)			
Ferramentas de corte (diâmetro da lâmina de corte)	mm	305 (com três lâminas)		
Relação de transmissão	13/19			

1) Os dados consideram igualmente os modos de operação marcha lenta e sobrevelocidade ou velocidade do acelerador aberta.

DESIGNAÇÃO DE PEÇAS

MS-335.4 U



P	DESIGNAÇÃO DE PEÇAS
1	Depósito de combustível
2	Arrancador de rebobinamento
3	Filtro
4	Botão I-O (ligar/desligar)
5	Vela de ignição
6	Silenciador de escape
7	Embraiagem
9	Gancho
10	Pega
11	Alavanca do acelerador
12	Cabo de controlo
13	Veio
14	Protector
15	Caixa de engrenagens/Caixa da extremidade
16	Suporte da pega
17	Lâmina de corte
18	Cabeça de corte em nylon
19	Tampa do abastecedor de combustível
20	Manípulo do dispositivo de arranque
21	Bomba de descarga
22	Alavanca do afogador
23	Tubo de escape
24	Indicador do nível de óleo

MONTAGEM DA PEGA

PRECAUÇÃO: Antes de efectuar qualquer trabalho na roçadeira a gasolina, pare sempre o motor e retire o conector da vela de ignição da vela de ignição.

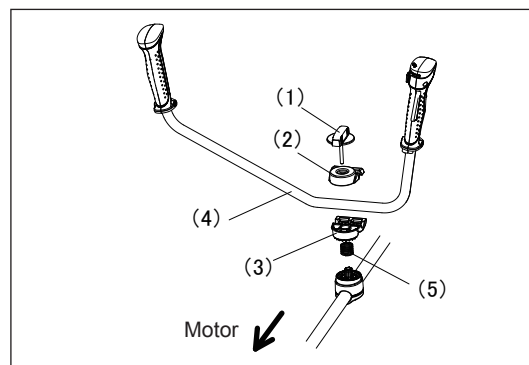
Use sempre luvas de protecção!

PRECAUÇÃO: Ligue a roçadeira a gasolina após a montagem completa.

Para máquinas com modelos de pega em U

- Desaperte o manípulo (1).
- Coloque a pega (4) entre o grampo da pega (2) e o suporte da pega (3).
- Ajuste a pega (4) para um ângulo que proporcione uma posição de trabalho confortável e depois fixe apertando firmemente o manípulo à mão (1).

PRECAUÇÃO: Não se esqueça de montar a mola (5).



MONTAGEM DO PROTECTOR

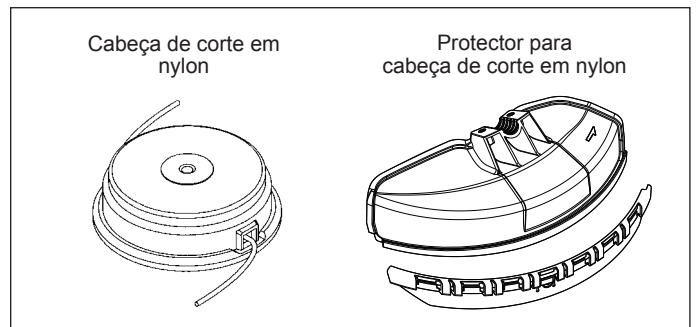
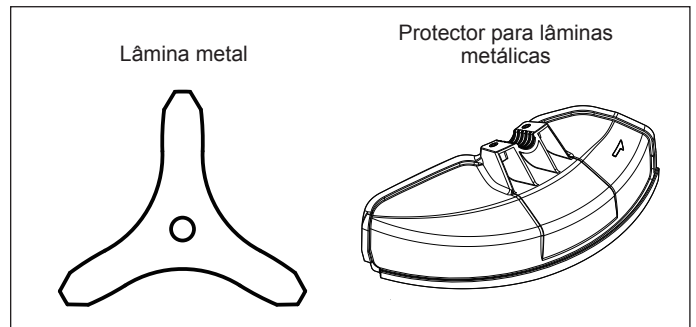
Para satisfazer as normas de segurança aplicáveis, deve apenas utilizar as combinações ferramenta/protector indicadas na tabela.



Certifique-se de que utiliza sempre lâminas de corte ou cabeça de corte em nylon DOLMAR.

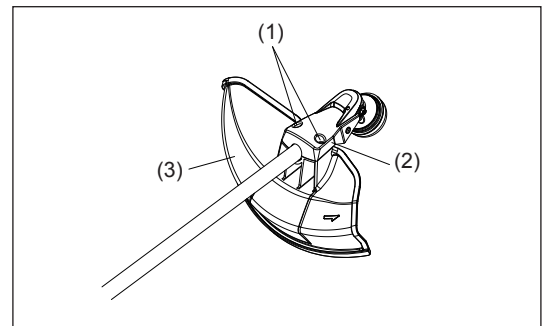
- A lâmina de corte deve ser bem polida, livre de fendas ou quebras. Se a lâmina de corte for de encontro a uma pedra durante a operação, pare o motor e verifique a lâmina imediatamente.
- Voltar a afiar ou substituir a lâmina de corte a cada três horas de funcionamento.
- Se a cabeça de corte em nylon for de encontro a uma pedra durante o funcionamento, pare o motor e verifique a cabeça de corte em nylon imediatamente.

PRECAUÇÃO: O protector adequado devem ser sempre instalados para sua própria segurança e para obedecer a regulamentos de prevenção de acidentes. É proibida a utilização do equipamento sem o resguardo colocado. O diâmetro exterior da lâmina de corte tem de ser 255 mm (10"). As lâminas de corte com diâmetro exterior de 305 mm (12") só podem ser utilizadas no equipamento com três lâminas.



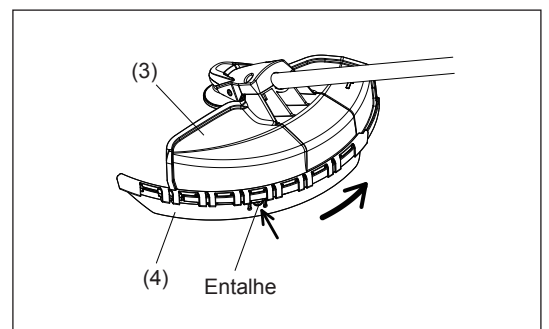
- Quando utilizar a lâmina de metal, fixe o protector (3) ao grampo (2) com dois parafusos M6 x 30 (1).

NOTA: Aperte os parafusos direito e esquerdo uniformemente para que a folga entre o grampo (2) e o protector (3) seja constante. Caso contrário, o protector pode, por vezes, não funcionar como especificado.



- Nos casos onde a roçadeira com fio de nylon é utilizada, certifique-se de que monta o protector da roçadeira com fio de nylon (4) no protector da lâmina de metal (3).
- Monte o protector da roçadeira com fio de nylon (4) pressionando o entalhe central enquanto desliza para o lugar a partir do flanco do protector da lâmina de metal (3).
- Retire a fita colada na roçadeira, que corta o fio de nylon, no protector da roçadeira com fio de nylon (4).

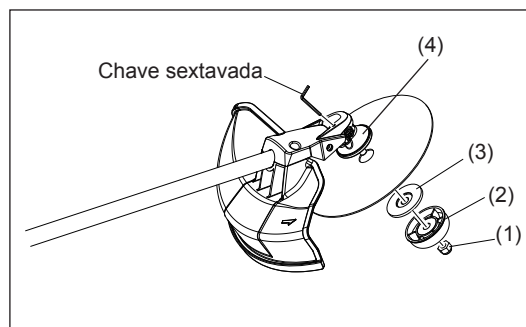
PRECAUÇÃO: Certifique-se de que empurra o protector da roçadeira com fio de nylon (4) até estar completamente introduzido. Tenha cuidado para não se ferir na roçadeira para cortar o fio de nylon.



MONTAGEM DA LÂMINA DE CORTE OU DA CABEÇA DE CORTE EM NYLON

Vire a máquina ao contrário e pode substituir a lâmina de corte ou cabeça de corte em nylon facilmente.

- Insira a chave sextavada no orifício na caixa de engrenagens e rode a anilha receptora (4) até que esteja apertada com a chave sextavada.
- Desaperte a porca (1) (fio esquerdo) com a chave de encaixe e remova a porca (1), protecção (2) e a anilha do grampo (3).



Montagem da lâmina de corte

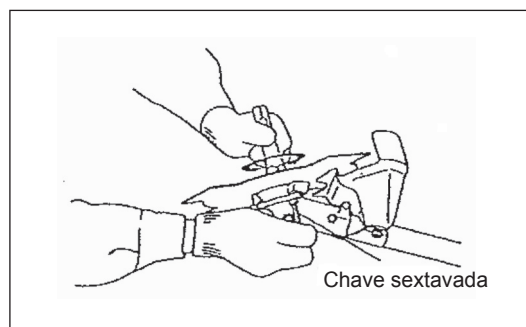
Com a chave sextavada ainda fixada.

- Monte a lâmina de corte no veio para que o guia da anilha receptora (4) encaixe no orifício do mandril na lâmina de corte. Instale a anilha do grampo (3), protecção (2) e fixe a lâmina de corte com a porca (1).
[Binário de aperto: 13 - 23 N-m]

NOTA: Use sempre luvas ao manusear a lâmina de corte.

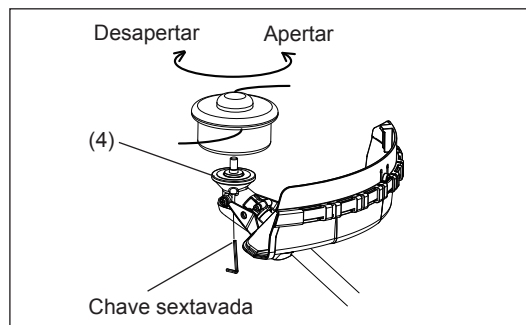
NOTA: A porca de aperto da lâmina de corte (com anilha de pressão) é uma parte consumível.

Se aparecer algum desgaste ou deformação na anilha de pressão, substitua a porca.

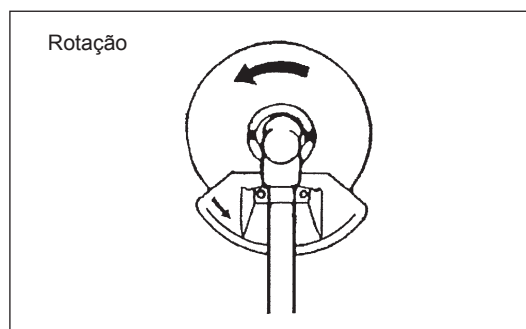


Montagem da cabeça de corte em nylon

- A anilha do grampo (3), protecção (2) e porca (1) não são necessárias para montar a cabeça de corte em nylon. A cabeça de corte em nylon deverá estar no topo da anilha receptora (4).
- Insira a chave sextavada no orifício na caixa de engrenagens e rode a anilha receptora (4) até que esteja apertada com a chave sextavada.
- De seguida, aperte a cabeça de corte em nylon no veio rodando no sentido contrário aos ponteiros do relógio.
- Retire a chave sextavada.



- Certifique-se de que a lâmina é deixada bem para cima.



ANTES DE INICIAR O FUNCIONAMENTO

Inspecção e reabastecimento óleo do motor

- Execute o procedimento seguinte, com o motor arrefecido.
- Enquanto mantém o motor nivelado, retire o indicador do nível de óleo e confirme que o óleo é abastecido dentro das marcas de limite máximo e mínimo.
Quando o nível de óleo estiver tão baixo que o óleo só alcança a ponta do indicador do nível de óleo, particularmente com o indicador do nível de óleo introduzido no cárter sem aparafusar (Fig. 1), reabasteça óleo novo perto da entrada (Fig. 2).
- Para referência, o tempo de abastecimento de óleo é cerca de 15 h (frequência de abastecimento: 15 vezes).
Se o óleo mudar de cor ou misturar-se com sujidade, substitua por um óleo novo. (Para o intervalo e método de substituição, consulte P157 - 158)

Óleo recomendado: Óleo 10W-30 SAE de classificação API, Classe SF ou superior (motor a 4 tempos para automóvel)

Volume de óleo: Aprox. 0,1L

Nota: Se o motor não for mantido na vertical, o óleo pode entrar em torno do motor e abastecer de forma excessiva.
Se o óleo estiver acima do limite, o óleo pode estar contaminado ou pode incendiar-se com fumo branco.

Ponto 1 sobre a Substituição do óleo: “Indicador do nível de óleo”

- Retire qualquer sujidade perto da entrada de abastecimento do óleo e desencaixe o indicador do nível de óleo.
- Mantenha o indicador do nível de óleo limpo. Caso contrário, qualquer sujidade que adira ao indicador do nível de óleo pode causar uma circulação de óleo irregular ou desgaste nas peças do motor, que irá resultar em problemas.
- Como exemplo para manter o indicador do nível de óleo limpo, é aconselhável introduzir o indicador do nível de óleo do lado do manípulo na tampa do motor, como mostrado na Fig. 3.



Fig. 1

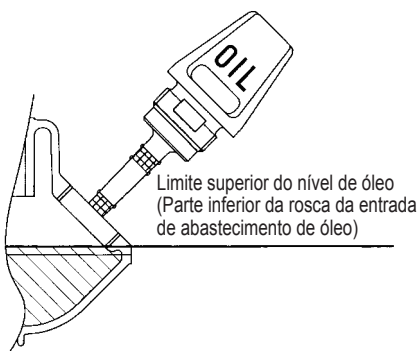


Fig. 2

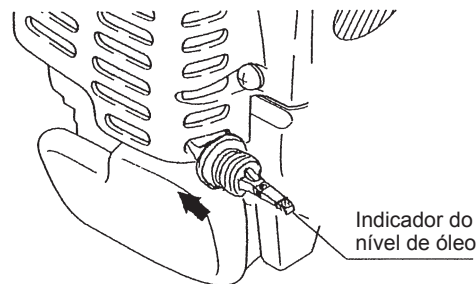
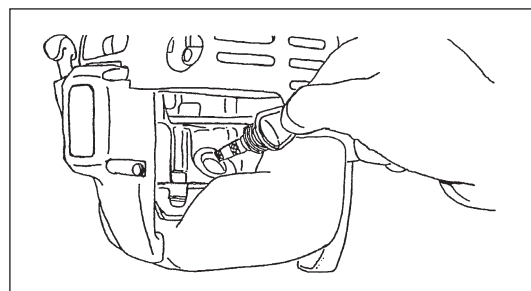


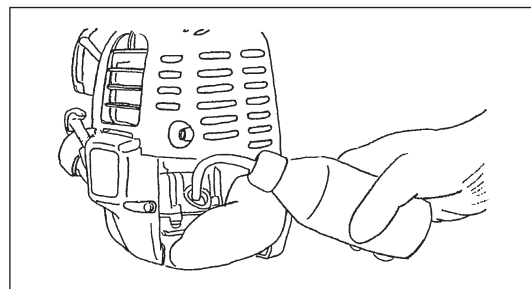
Fig. 3

(1) Mantenha o motor nivelado e desencaixe o indicador do nível de óleo.



(2) Abasteça óleo até ao bordo da entrada de abastecimento de óleo. (Consulte a Fig. 2).
Introduza óleo com o recipiente de abastecimento de lubrificante.

(3) Aperte de forma segura o indicador do nível de óleo. Um aperto insuficiente pode causar fugas de óleo.



Ponto 2 sobre a Substituição do óleo: “Em caso de derrames de óleo”

- Em caso de derrames de óleo entre o depósito de combustível e a unidade principal do motor, o óleo é aspirado pela porta de entrada do ar de refrigeração, que irá contaminar o motor. Certifique-se de que limpa o óleo derramado antes de iniciar o funcionamento.

ABASTECIMENTO

Lidar com o combustível

É necessário muito cuidado ao lidar com o combustível. O combustível pode conter substâncias semelhantes a solventes. O abastecimento tem de ser executado numa sala bem ventilada ou no exterior. Não inale vapores do combustível e evite qualquer contacto de combustível ou óleo com a sua pele. O contacto prolongado da sua pele com o combustível fará com que a sua pele fique extremamente seca, o que pode resultar em doenças de pele ou alergia. Se entrar combustível nos seus olhos, lave-os imediatamente com água limpa. Se os seus olhos ainda estiverem irritados, consulte imediatamente um médico.

Período de abastecimento de combustível

O combustível deve ser utilizado num período de 4 semanas, mesmo se for mantido num recipiente especial num local bem ventilado. Se não for utilizado um recipiente especial ou se o recipiente não estiver coberto, o combustível pode deteriorar no espaço de um dia.

ARMAZENAMENTO DA MÁQUINA E DEPÓSITO DE ABASTECIMENTO

- Mantenha a máquina e o depósito num local fresco sem luz solar directa.
- Nunca guarde o combustível na cabine ou mala.

Combustível

O motor é um motor a quatro tempos. Certifique-se de utilize gasolina (gasolina).

Observações sobre o combustível

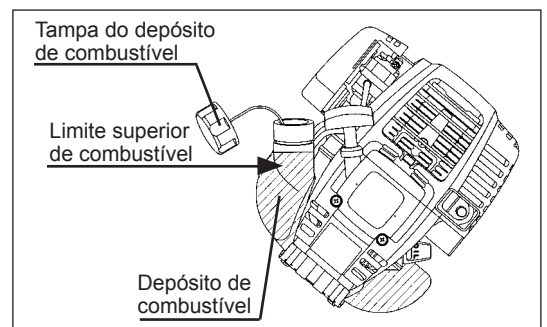
- Nunca utilize uma mistura de gasolina com óleo do motor. Caso contrário, causa uma acumulação excessiva de carbono ou problemas mecânicos.
- A utilização de óleo deteriorado irá causar um arranque irregular.

Abastecimento

AVISO: INFLAMÁVEIS ESTRITAMENTE PROIBIDOS

Gasolina usada: Gasolina (gasolina sem chumbo)

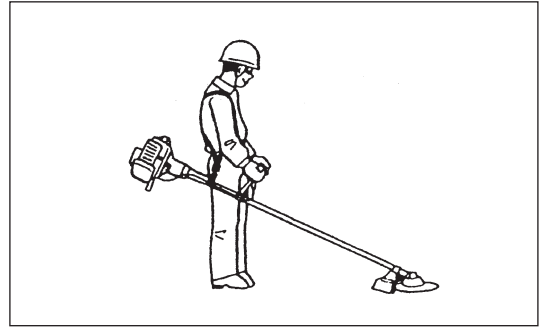
- Desaperte a tampa do depósito de modo a não haver diferenças na pressão atmosférica.
 - Desencaixe a tampa do depósito e abasteça, descarregar o ar inclinando o depósito de combustível de modo a que a entrada de abastecimento esteja na vertical. (Nunca abasteça combustível ao máximo na entrada de abastecimento de óleo.)
 - Limpe rigorosamente a área em torno da tampa do depósito para evitar que entre sujidade no depósito de combustível.
 - Após o abastecimento, aperte bem a tampa do depósito.
- Se a tampa do depósito tiver falhas ou danos, substitua-a.
 - A tampa do depósito é consumível e, por isso, deve ser substituída a cada dois ou três anos.



MANUSEAMENTO CORRECTO DA MÁQUINA

Fixação da alça do ombro

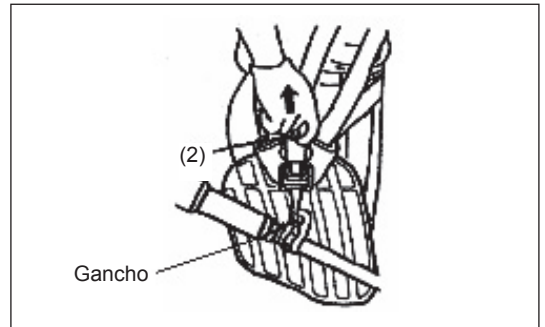
- Ajuste o comprimento da alça para que a lâmina de corte fique paralela ao chão.



Separação

- Em caso de emergência, retire a alavanca de separação de emergência (2) puxando fortemente com um dedo. A máquina irá separar-se do corpo. Certifique-se de que mantém o controlo da máquina nesta altura. Não permita que a máquina seja desviada em direcção a si ou a alguém próximo de si.

AVISO: Se não conseguir manter o controlo total do equipamento, poderá sofrer ferimentos corporais graves ou MORRER.



PONTOS SOBRE O FUNCIONAMENTO E COMO PARAR

Leia os regulamentos sobre prevenção de acidentes aplicáveis!

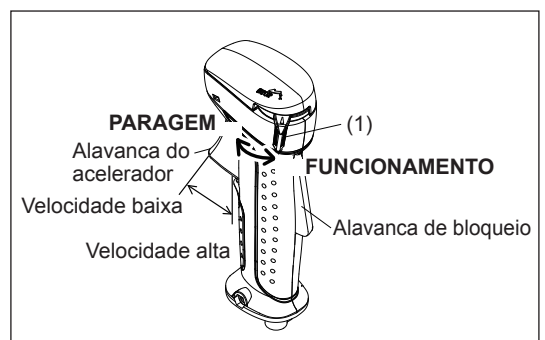


INÍCIO

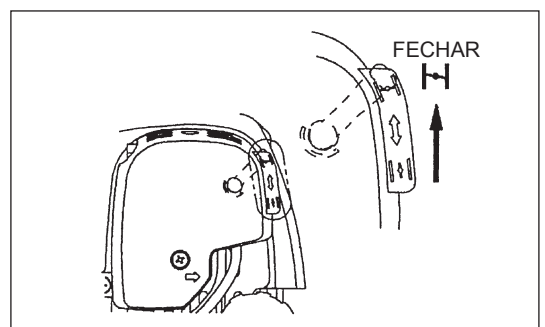
Desloque no mínimo 3 m longe do local de abastecimento. Coloque a roçadeira a gasolina num pedaço limpo do chão certificando-se de que a ferramenta de corte não entra em contacto com o chão ou com quaisquer outros objectos.

A: Arranque a frio

- 1) Monte esta máquina num espaço plano.



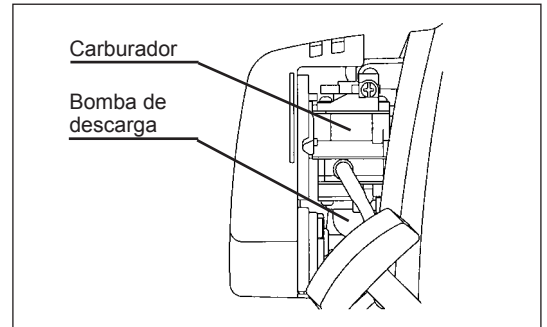
- 2) Regule o interruptor I-O (1) para FUNCIONAMENTO.
- 3) Alavanca do afogador
Feche a alavanca do afogador.
Abertura do afogador:
 - Fecho completo no frio ou quando o motor está frio.
 - Abertura máxima ou parcial no novo arranque logo após paragem de funcionamento.



4) Bomba de descarga

Continue a empurrar a bomba de descarga até o combustível entrar na bomba de descarga. (Normalmente, o combustível entra na bomba de descarga após 7 a 10 empurrões.)

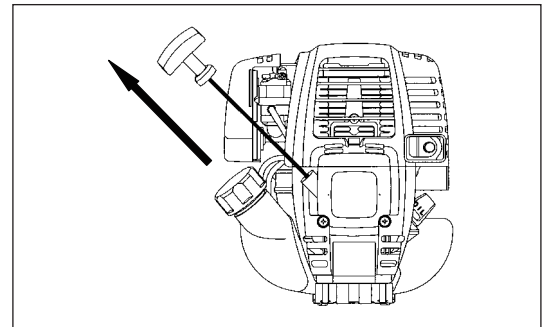
Se a bomba de descarga for empurrada em demasia, um excesso de gasolina regressa ao depósito de combustível.



5) Fio de arranque

Puxe o manípulo de arranque suavemente até ficar difícil de puxar (ponto de compressão). De seguida, alivie o manípulo de arranque e puxe com força.

Nunca puxe a corda ao máximo. Assim que o manípulo de arranque for puxado, nunca solte a mão imediatamente. Segure o manípulo de arranque até este voltar ao ponto de origem.



6) Alavanca do afogador

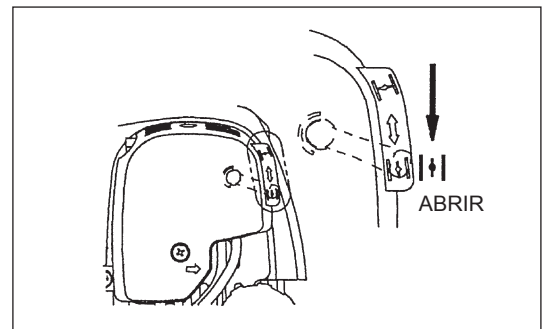
Quando o motor arrancar, abra a alavanca do afogador.

– Abra a alavanca do afogador progressivamente enquanto verifica o funcionamento do motor. Certifique-se de que abre a alavanca do afogador ao máximo no final.

– No frio ou quando o motor está arrefecido, nunca abra a alavanca do afogador repentinamente. Caso contrário, o motor pode parar.

7) Operação de aquecimento

Continue a operação de aquecimento durante 2 a 3 minutos.



Nota: – Se a pega de arranque é puxada repetidamente quando a alavanca do afogador permanece na posição “CLOSE”, o motor não arranca facilmente devido a entrada excessiva de combustível.

– Em caso de entrada excessiva de combustível, remova a vela de ignição e puxe a pega de arranque lentamente para remover o combustível em excesso. Também deverá limpar a secção dos eléctrodos da vela de ignição.

Precauções durante o funcionamento:

Se a alavanca do acelerador estiver totalmente aberta em funcionamento em vácuo, a rotação do motor aumenta para 10.000 min⁻¹ ou mais. Nunca opere o motor a uma velocidade mais alta do que a necessária e a uma velocidade aproximada de 6.000 - 8.500 min⁻¹.

B: Arranque após operação de aquecimento

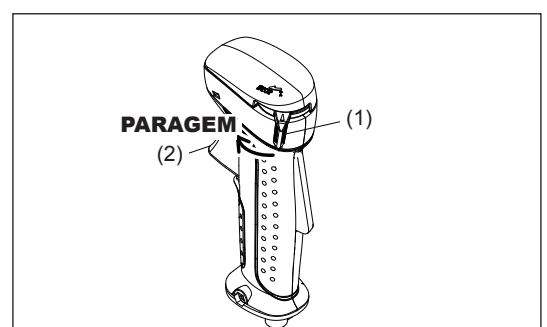
- 1) Empurre a bomba de descarga repetidamente.
- 2) Mantenha a alavanca do acelerador na posição de marcha lenta.
- 3) Puxe o fio de arranque com força.
- 4) Se for difícil arrancar o motor, abra o regulador de velocidade cerca de 1/3. Preste atenção à lâmina de corte que pode rodar.

Atenção no Funcionamento

Quando o motor é operado ao contrário, pode sair fumo branco do silenciador.

PARAR

- 1) Solte totalmente a alavanca do acelerador (2) e quando as rpm do motor tiverem baixado, regule o botão I-O para PARAGEM, o motor irá parar.
- 2) Note que a cabeça de corte poderá não parar imediatamente e deixe sempre que ela abrande e pare completamente por si própria.



Funcionamento da alavanca do acelerador

Com a unidade principal da alavanca do acelerador segura na mão (com a alavanca de bloqueio empurrada), puxe a alavanca do acelerador e a rotação do motor será aumentada. Solte a alavanca do acelerador e o motor irá voltar à marcha lenta. Solte a mão da unidade principal da alavanca do acelerador e a alavanca de bloqueio irá voltar automaticamente para que a alavanca do acelerador não seja puxada acidentalmente.

Ajuste da ROTAÇÃO do motor

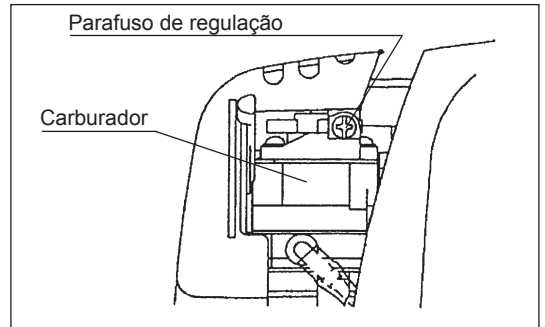
Quando ajustar a rotação do motor com a alavanca do acelerador aberta ao máximo, rode o manípulo de regulação do acelerador. Rode o manípulo no sentido dos ponteiros do relógio e a rotação do motor será reduzida. Rode o manípulo no sentido contrário aos ponteiros do relógio e a rotação do motor será aumentada.

AJUSTE DE ROTAÇÃO DE BAIXA VELOCIDADE (MARCHA LENTA)

Quando é necessário ajustar a rotação de baixa velocidade (marcha lenta), efectue através do parafuso de regulação do carburador.

VERIFICAÇÃO DA ROTAÇÃO DE BAIXA VELOCIDADE

- Regule a rotação de baixa velocidade para 3.000 min⁻¹. Se for necessário alterar a velocidade de rotação, regule o parafuso de regulação (ilustrado à esquerda), com uma chave de fendas Phillips.
- Rode o parafuso de regulação para a direita e a rotação do motor irá aumentar. Rode o parafuso de regulação para a esquerda e a rotação do motor irá diminuir.
- O carburador é normalmente regulado antes do envio. Se for necessário reajustar, contacte o Agente de Serviço Autorizado.



VOLTAR A AFIAR A FERRAMENTA DE CORTE



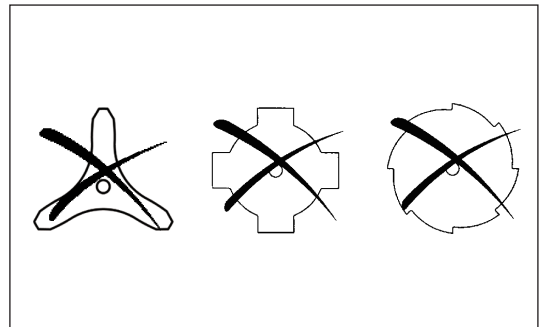
PRECAUÇÃO:

As ferramentas de corte mencionadas em baixo devem ser afiadas apenas por técnicos autorizados. Voltar a afiar manualmente resultará em desequilíbrios da ferramenta de corte causando vibrações e danos no equipamento.

- lâmina de corte
Um serviço profissional de afiamento e equilíbrio é fornecido por Agentes de Serviço Autorizados.

NOTA:

Para aumentar a vida útil da lâmina de corte, pode ser virada uma vez, até ambas as extremidades de corte ficarem gastas.



CABEÇA DE CORTE EM NYLON

A cabeça de corte em nylon é uma cabeça dupla da roçadeira a gasolina com capacidade para mecanismos automáticos e de "bump & feed".

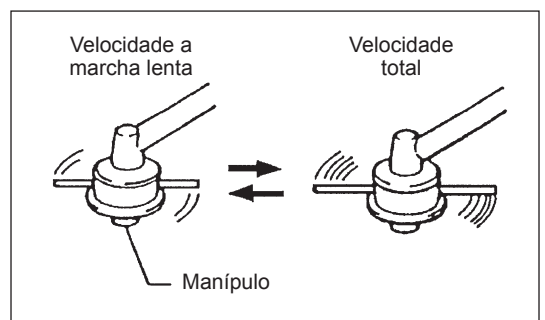
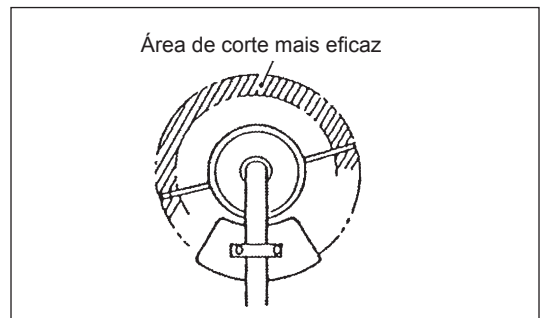
A cabeça de corte em nylon irá fornecer automaticamente o comprimento necessário de fio de nylon através das alterações na força centrífuga causada pelas rpm's crescentes ou decrescentes. Contudo, para cortar relva suave com mais eficiência, faça chocar a cabeça de corte em nylon contra o chão para fornecer mais fio como indicado na secção de funcionamento.

Funcionamento

- Aumente a velocidade da cabeça de corte em nylon para aproximadamente 6.000 min⁻¹.
A velocidade baixa (inferior a 4.800 min⁻¹) não é adequada, o fio de nylon não irá fornecer adequadamente com velocidade baixa.
- A área de corte mais eficaz é mostrada pela área sombreada.

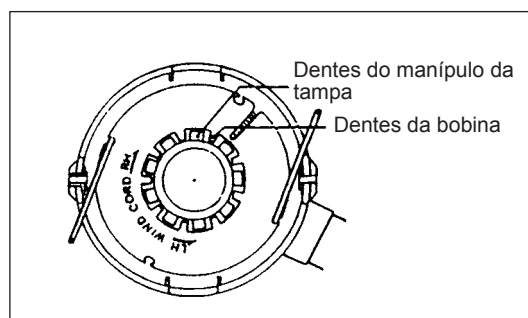
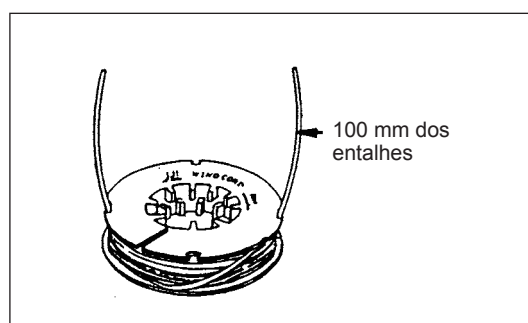
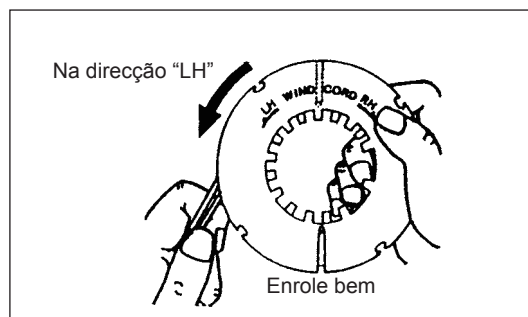
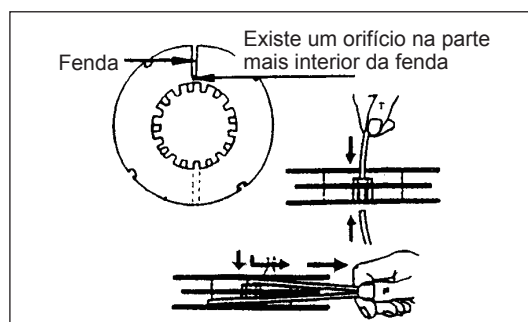
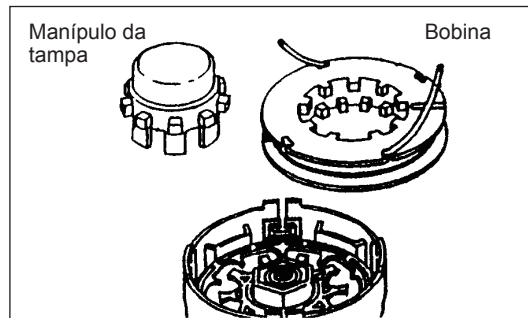
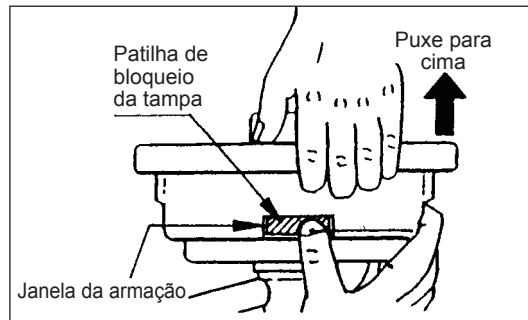
Se o fio de nylon não fornecer automaticamente, proceda da seguinte forma:

1. Solte a alavanca do acelerador para o motor funcionar em marcha lenta, e depois aperte totalmente a alavanca do acelerador. Repita este procedimento até o fio de nylon fornecer até ao comprimento necessário.
2. Se o fio de nylon for demasiado curto para fornecer automaticamente com o procedimento acima, faça chocar o manípulo da cabeça de corte em nylon contra o chão para alimentar o fio de nylon.
3. Se o fio de nylon não fornecer com o procedimento 2, rebobine/substitua o fio de nylon seguindo os procedimentos descritos em "Substituir o fio de nylon."

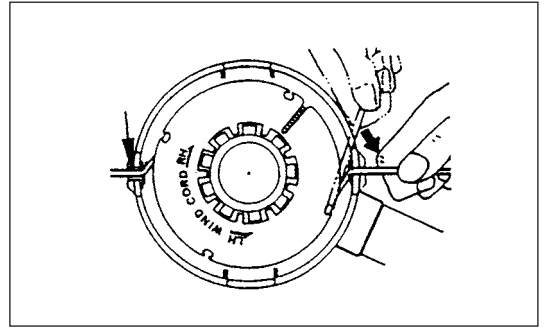


Substituir o fio de nylon

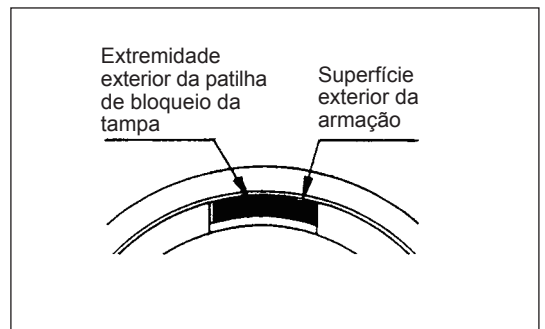
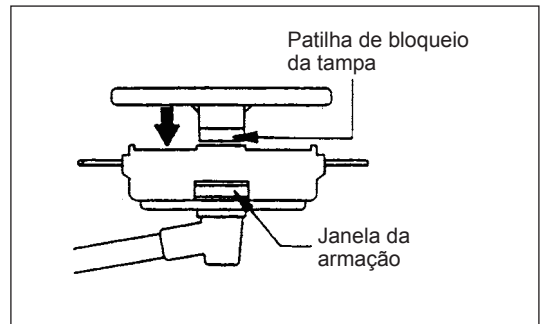
1. Retire a tampa da armação, pressionando duas patilhas de bloqueio da tampa situadas em lados opostos da armação.
2. Retire o manípulo de tampa e a bobina da armação.
3. Coloque cada uma das linhas de corte em cada orifício na parte mais interior da ranhura numa das flanges exteriores da bobina. Coloque as linhas nas ranhuras da bobina através de cada fenda nas flanges.
4. Enrole as linhas firmemente na direcção mostrada pela seta para a esquerda (LH) na flange. Não cruze as linhas.
5. Enrole tudo excepto cerca de 100 mm (3-15/16") dos fios, deixando a extremidade temporariamente presa através do entalhe no lado da bobina.
6. Coloque o manípulo da tampa no encaixe da armação, posicionando-o de modo a deslocar-se livremente para cima e para baixo contra a tensão da mola. Coloque a bobina na armação, alinhando os dentes da bobina e manípulo da tampa alternadamente como engrenagens.



7. Coloque as linhas de corte pela ranhura dos ilhós.



8. Coloque a tampa na armação, alinhando as patilhas na tampa e as janelas na armação. Certifique-se de que a tampa está bem fixa na armação. A extremidade exterior da patilha de bloqueio da tampa e a superfície exterior da armação devem estar na mesma circunferência.



INSTRUÇÕES DE SERVIÇO

PRECAUÇÃO: Antes de efectuar qualquer trabalho na roçadeira a gasolina, pare sempre o motor e retire a tampa da vela de ignição (ver "verificar a vela de ignição").
Use sempre luvas de protecção!

Para garantir um longo tempo de funcionamento e para evitar quaisquer danos no equipamento, as seguintes operações de serviço devem ser executadas em intervalos regulares.

Inspeção e manutenção diárias

- Antes do funcionamento, verifique se existem parafusos soltos na máquina ou se faltam peças. Preste especial atenção ao aperto da lâmina de cortar ou da cabeça de corte em nylon.
- Antes do funcionamento, verifique sempre a passagem de ar de refrigeração e as alhetas do cilindro por obstruções. Limpe-as se necessário.
- Efectue o seguinte trabalho diariamente após a utilização:
 - Limpe a roçadeira a gasolina externamente e inspeccione relativamente a danos.
 - Limpe o filtro de ar. Ao trabalhar em condições de muito pó, limpe o filtro várias vezes por dia.
 - Verifique se a lâmina ou a cabeça de corte em nylon estão danificadas e certifique-se de que estão devidamente montadas.
 - Verifique se existe diferença suficiente entre as velocidades de marcha lenta e de embraiagem para se certificar de que a ferramenta de corte está num ponto de imobilização enquanto o motor está em marcha lenta (se necessário, reduza a velocidade de marcha lenta). Se em condições de marcha lenta a ferramenta ainda continuar a funcionar, consulte o Agente de Serviço Autorizado mais próximo.
- Verifique o funcionamento do interruptor I-O, a alavanca de bloqueio, a alavanca de controlo e o botão de bloqueio.

SUBSTITUIÇÃO DO ÓLEO DO MOTOR

Um óleo do motor deteriorado irá encurtar muito a vida útil das peças deslizantes e rotativas. Certifique-se de que verifica o período e quantidade de substituição.



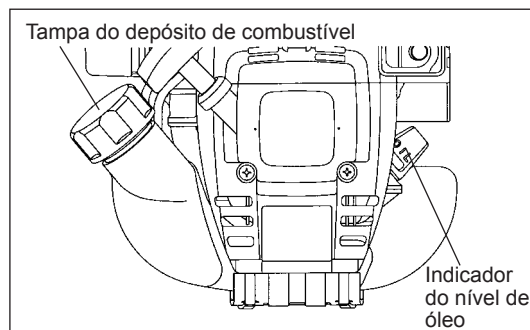
ATENÇÃO: Normalmente, a unidade principal do motor e o óleo do motor ainda permanecem quentes logo após a paragem do motor. Aquando da substituição do óleo, confirme que a unidade principal do motor e o óleo do motor estão suficientemente arrefecidos. Caso contrário, pode existir um risco de queimadura.

Nota: Se o óleo estiver acima do limite, pode estar contaminado ou pode incendiar-se com fumo branco.

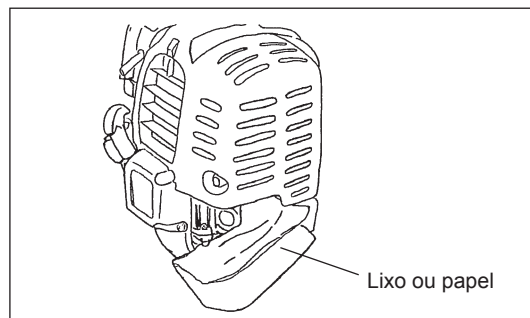
Intervalo de substituição: Inicialmente, a cada 20 horas de funcionamento e posteriormente a cada 50 horas de funcionamento
Óleo recomendado: Óleo 10W-30 SAE de classificação API, Classe SF ou superior (motor a 4 tempos para automóvel)

Aquando da substituição, execute o procedimento seguinte.

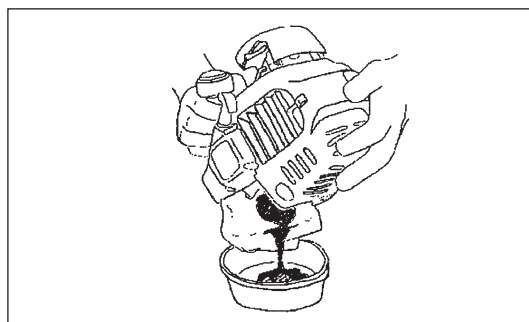
- 1) Confirme que a tampa do depósito está bem apertada.
- 2) Desencaixe o indicador do nível de óleo.
Mantenha o indicador do nível de óleo limpo.



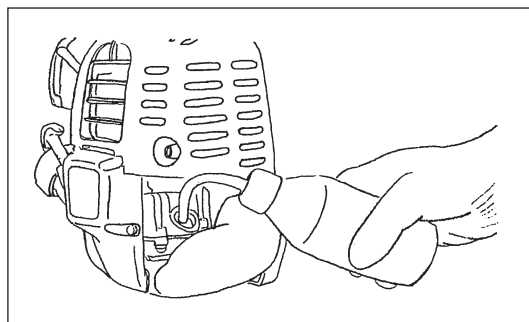
- 3) Coloque lixo ou papel perto da entrada de abastecimento do óleo.



- 4) Desencaixe o indicador do nível de óleo, e drene o óleo, inclinando a unidade principal para a entrada de abastecimento de óleo. Drene o óleo num recipiente para uma eliminação adequada.



- 5) Mantenha o motor nivelado e abasteça óleo até ao bordo da entrada de abastecimento de óleo. Aquando do abastecimento, utilize um recipiente de abastecimento de lubrificante.
- 6) Após o abastecimento, aperte de forma segura o indicador do nível de óleo. Um aperto insuficiente do indicador do nível de óleo irá originar fugas de óleo.



PONTOS SOBRE O ÓLEO

- Nunca elimine o óleo do motor substituído no lixo, terra ou sarjeta. A eliminação do óleo está regulada por lei. Aquando da eliminação, siga sempre as respectivas leis e regulações. Para quaisquer pontos que permaneçam desconhecidos, contacte o Agente de Serviço Autorizado.
- O óleo irá deteriorar mesmo quando não é utilizado. Execute a inspeção e a substituição a intervalos regulares (substitua por óleo novo a cada 6 meses).

LIMPEZA DO FILTRO



PERIGO: INFLAMÁVEIS ESTRITAMENTE PROIBIDOS

Intervalo de limpeza e inspecção: Diariamente (a cada 10 horas de funcionamento)

- Rode a alavanca do afogador para o lado totalmente fechado e mantenha o carburador longe de qualquer pó ou sujidade.
- Remova os parafusos de fixação da tampa do filtro.
- Coloque o lado inferior da tampa e desencaixe a tampa do filtro.
- Se o óleo aderir ao elemento (esponja), esprema-o firmemente.
- Em caso de forte contaminação:
 - 1) Retire o elemento (esponja), coloque-o dentro de água quente ou detergente neutro solúvel na água e seque-o por completo.
 - 2) Limpe o elemento (feltro) com gasolina e seque-o por completo.
- Antes de encaixar o elemento, certifique-se de o seca por completo. Uma secagem incompleta do elemento pode provocar um arranque difícil.
- Limpe com um pano de desperdícios o óleo residual em torno da tampa do filtro e do respiro da placa.
- Imediatamente após o final da limpeza, encaixe a tampa do filtro e aperte-a com parafusos de fixação. (Aquando da montagem, coloque primeiro a garra superior e depois a garra inferior.)

Pontos sobre o manuseamento do filtro

- Limpe o elemento várias vezes ao dia, em caso de excesso de pó.
- Se o funcionamento continuar com o elemento ainda com óleo, o óleo no filtro pode transbordar resultando em contaminação do óleo.

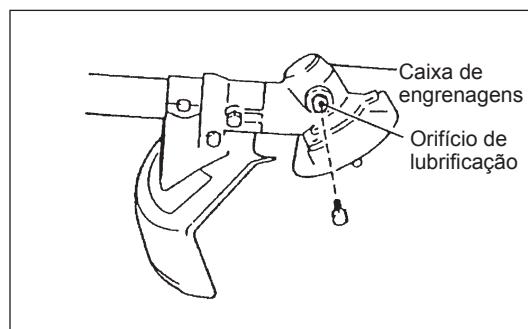
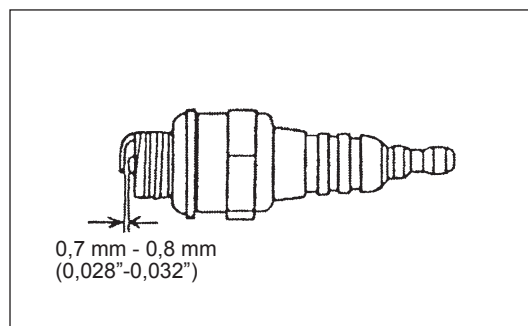
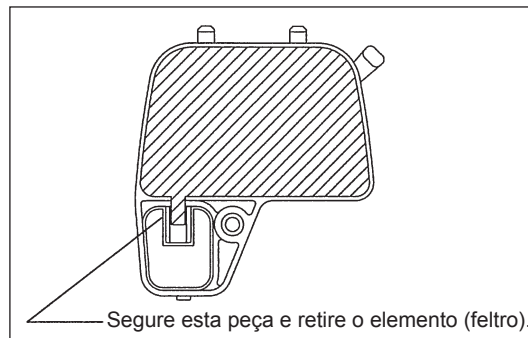
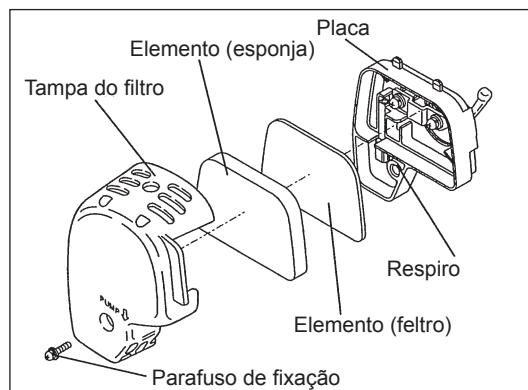
VERIFICAR A VELA DE IGNIÇÃO

- Utilize apenas a chave universal fornecida para remover ou instalar a vela de ignição.
- O espaço entre os dois eléctrodos da vela de ignição deverá estar a 0,7 - 0,8 mm (0,028"-0,032"). Se o espaço for demasiado largo ou estreito, ajuste-o. Se a vela de ignição estiver entupida ou contaminada, limpe-a rigorosamente ou substitua-a.

PRECAUÇÃO: Nunca toque no conector da vela de ignição enquanto o motor estiver a trabalhar (perigo de choque eléctrico de alta tensão).

FORNECIMENTO DE LUBRIFICAÇÃO PARA A CAIXA DE ENGENHAGENS

- Forneça lubrificação (Shell Alvania 2 ou equivalente) para a caixa de engrenagens através do orifício de lubrificação a cada 30 horas. (Lubrificação DOLMAR pode ser adquirida no seu revendedor DOLMAR.)



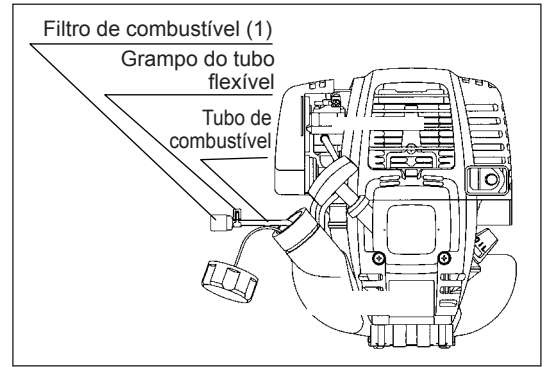
LIMPEZA DO FILTRO DE COMBUSTÍVEL

AVISO: INFLAMÁVEIS ESTRITAMENTE PROIBIDOS

Intervalo de limpeza e inspeção: Mensalmente (a cada 50 horas de funcionamento)

Cabeça de sucção no depósito de combustível

- O filtro de combustível (1) da cabeça de sucção é utilizado para filtrar o combustível requerido pelo carburador.
- Deve ser efectuada uma inspeção periódica do filtro de combustível. Para isso, abra a tampa do depósito, utilize um gancho metálico e retire a cabeça de sucção pela abertura do depósito. Os filtros que estiverem duros, poluídos ou obstruídos, devem ser substituídos.
- Um fornecimento de combustível insuficiente pode resultar no exceder da velocidade máxima permitível. Por isso, é importante substituir o filtro de combustível a cada três meses para garantir um fornecimento adequado de combustível para o carburador.



SUBSTITUIÇÃO DO TUBO DE COMBUSTÍVEL

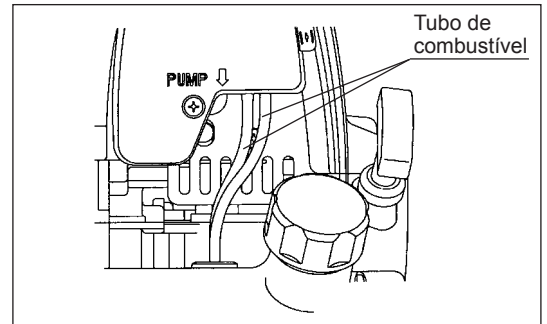
PRECAUÇÃO: INFLAMÁVEIS ESTRITAMENTE PROIBIDOS

Intervalo de limpeza e inspeção: Diariamente (a cada 10 horas de funcionamento)

Substituição: Anualmente (a cada 200 horas de funcionamento)

Substitua o tubo de combustível todos os anos, independentemente da frequência de funcionamento. As fugas de combustível podem provocar um incêndio.

Se detectar alguma fuga durante a inspeção, substitua o tubo de combustível imediatamente.



INSPEÇÃO DE PARAFUSOS E PORCAS

- Reaperte parafusos e porcas desapertados, etc.
- Inspeccione por fugas de combustível e óleo.
- Substitua as peças danificadas por peças novas para um funcionamento seguro.

LIMPEZA DAS PEÇAS

- Mantenha sempre o motor limpo.
- Mantenha as alhetas do cilindro limpas. O pó ou sujidade que adira às alhetas irá causar falha do êmbolo.

SUBSTITUIÇÃO DAS JUNTAS E EMPANQUES

Aquando da montagem após o motor estar desmontado, certifique-se de que substitui as juntas e os empanques por uns novos. Qualquer manutenção de ajuste que não esteja incluído e descrito neste manual deve ser efectuada apenas pelos Agentes de Serviço Autorizados.

ARMAZENAMENTO

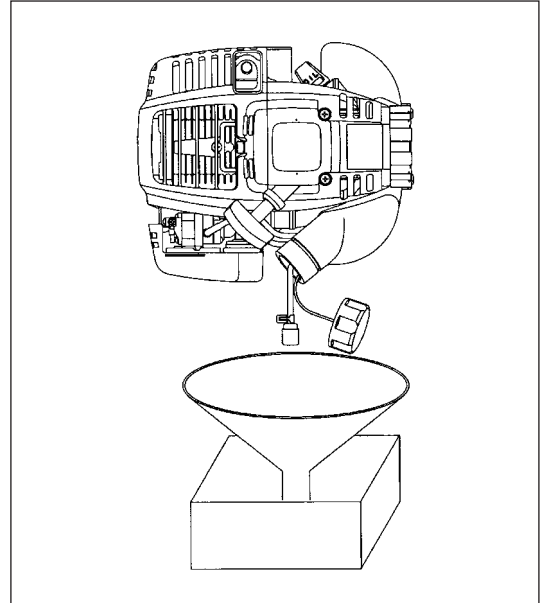


AVISO: Quando purgar o combustível, certifique-se de que pára o motor e deixa o motor arrefecer. Logo após a paragem do motor, este pode ainda estar quente correndo o risco de queimaduras, inflamabilidade e incêndio.



ATENÇÃO: Quando a máquina não é utilizada durante um longo período, purgue todo o combustível do depósito de combustível e carburador e guarde-a num local seco e limpo.

- Purgue o combustível do depósito de combustível e carburador de acordo com o procedimento seguinte:
 - 1) Retire a tampa do depósito de combustível e purgue o combustível por completo.
Se restar algumas substâncias estranhas no depósito de combustível, retire-as por completo.
 - 2) Retire o filtro de combustível da entrada de abastecimento utilizando um fio.
 - 3) Empurre a bomba de descarga até purgar combustível e purgue o combustível que entra no depósito de combustível.
 - 4) Coloque novamente o filtro no depósito de combustível e aperte bem a tampa do depósito de combustível.
 - 5) De seguida, continue a operar o motor até parar.
- Retire a vela de ignição e goteje várias gotas de óleo do motor pelo orifício da vela de ignição.
- Puxe suavemente a pega de arranque para que o óleo do motor se espalhe pelo motor e encaixe a vela de ignição.
- Encaixe a tampa na lâmina de corte.
- Durante o armazenamento, mantenha a biela na horizontal ou a máquina na vertical com a extremidade da lâmina orientada para cima. (Neste caso, preste muita atenção para evitar que a máquina caia.)
Nunca guarde a máquina com a extremidade da lâmina de corte orientada para baixo. O óleo de lubrificação pode derramar.
- Guarde o combustível purgado num recipiente especial num local bem ventilado.



Atenção após armazenamento de longa duração

- Antes do arranque após paragem de longa duração, certifique-se de que substitui o óleo (consulte P 156). O óleo irá deteriorar enquanto a máquina não é utilizada.

Identificação de falhas

Avaria	Sistema	Observação	Causa
O motor não arranca ou arranca com dificuldade	Sistema de ignição	Ignição por vela O.K. Sem ignição por vela	Avaria no fornecimento de combustível ou sistema de compressão, defeito mecânico Funcionamento através do botão STOP, avaria na cablagem ou curto-circuito, vela de ignição ou conector defeituoso, módulo de ignição avariado
	Fornecimento de combustível	Depósito de combustível enchido	Posição do afogador incorrecta, carburador defeituoso, linha de fornecimento do combustível dobrada ou bloqueada, combustível sujo
	Compressão	Sem compressão quando parada	Junta inferior do cilindro defeituosa, vedantes da cambota danificados, anéis do pistão ou do cilindro defeituosos ou vedação imprópria da vela de ignição.
	Avaria mecânica	Dispositivo de arranque não engrenado Depósito cheio vela de ignição existente	Mola do dispositivo de arranque partida, peças partidas dentro do motor Carburador contaminado, limpe-o
Problemas no arranque a quente	Fornecimento de combustível	Depósito cheio	Ajuste da marcha lenta incorrecto, carburador contaminado
O motor arranca mas morre			Ventilação do depósito de combustível defeituosa, linha de fornecimento de combustível interrompida, cabo ou botão STOP avariado
Desempenho insuficiente	Vários sistemas podem estar afectados em simultâneo	Marcha lenta do motor fraca	Filtro de ar contaminado, carburador contaminado, silenciador entupido, conduta de escape no cilindro entupida

Tempo de funcionamento		Antes do funcionamento	Após lubrificação	Diária (10h)	30h	50h	200h	Paragem/repouso	P correspondente
Óleo do motor	Inspeccione/limpe	○							151
	Substitua					○*1			157
Peças de aperto (parafuso, porca)	Inspeccione	○							160
Depósito de combustível	Limpe/inspeccione	○							—
	Drenar o combustível							○*3	161
Alavanca do acelerador	Verifique função		○						—
Interruptor de paragem	Verifique função		○						154
Lâmina de corte	Inspeccione	○		○					149
Rotação a baixa velocidade	Inspeccione/ajuste			○					155
Filtro	Limpe			○					159
Vela de ignição	Inspeccione			○					159
Conduta de ar de arrefecimento	Limpe/inspeccione			○					160
Tubo de combustível	Inspeccione			○					160
	Substitua						◎*2		—
Lubrificação caixa de engrenagens	Abastecimento				○				159
Filtro de combustível	Limpe/substitua					○			160
A folga entre a válvula de entrada de ar e a válvula de descarga de ar	Ajuste						◎*2		—
Tubo de óleo	Inspeccione						◎*2		
Revisão do motor							◎*2		—
Carburador	Drenar o combustível							○*3	161

*1 Execute a substituição inicial após a vigésima operação.

*2 Para a inspeção de 200 horas de funcionamento, contacte o Agente de Serviço Autorizado ou loja da máquina.

*3 Após esvaziar o depósito de combustível, deixe o motor em funcionamento e purgue o combustível no carburador.

RESOLUÇÃO DE PROBLEMAS

Antes de efectuar um pedido para reparações, verifique você mesmo o problema. Se encontrar uma anomalia, controle a máquina de acordo com a descrição neste manual. Nunca altere nem desmonte qualquer peça contrária à descrição. Para reparações, contacte o Agente de Serviço Autorizado ou concessionário local.

Estado de anomalia	Causa provável (avaria)	Solução
O motor não arranca	Falha ao operar a bomba de descarga	Empurre 7 a 10 vezes
	Velocidade de puxo baixa da corda de arranque	Puxe com força
	Falta de combustível	Forneça combustível
	Filtro de combustível obstruído	Limpe
	Tubo de combustível quebrado	Endireite o tubo de combustível
	Combustível deteriorado	O combustível deteriorado torna o arranque mais difícil. Substitua por combustível novo. (Substituição recomendada: 1 mês)
	Aspiração excessiva de combustível	Regule a alavanca do acelerador de velocidade média para velocidade elevada e puxe a pega de arranque até o motor arrancar. Assim que o motor arrancar, a lâmina de corte começa a rodar. Preste muita atenção à lâmina de corte. Se mesmo assim o motor não pegar, retire a vela de ignição, seque o eléctrodo e monte-os da forma original. De seguida, ligue como especificado.
	Tampa da vela desencaixada	Encaixe bem
	Vela de ignição contaminada	Limpe
	Folga anómala da vela de ignição	Ajuste a folga
	Outra anomalia da vela de ignição	Substitua
	Carburador anómalo	Peça uma inspecção e manutenção.
	A corda de arranque não pode ser puxada	Peça uma inspecção e manutenção.
Sistema de accionamento anómalo	Peça uma inspecção e manutenção.	
O motor pára rapidamente A velocidade do motor não aumenta	Aquecimento insuficiente	Execute a operação de aquecimento
	A alavanca do afogador está regulada para "CLOSE" apesar do motor estar quente.	Regule para "OPEN"
	Filtro de combustível obstruído	Limpe
	Filtro contaminado ou obstruído	Limpe
	Carburador anómalo	Peça uma inspecção e manutenção.
	Sistema de accionamento anómalo	Peça uma inspecção e manutenção.
A lâmina de corte não roda ↓ Pare o motor imediatamente	Porca de aperto da lâmina de corte desapertada	Aperte bem
	Paus apanhados pela lâminas de corte ou tampa de prevenção de dispersão.	Retire as substâncias estranhas
	Sistema de accionamento anómalo	Peça uma inspecção e manutenção.
A unidade principal vibra de forma anómala ↓ Pare o motor imediatamente	Lâmina de corte quebrada, dobrada ou gasta	Substitua a lâmina de corte
	Porca de aperto da lâmina de corte desapertada	Aperte bem
	Parte convexada desviada da lâmina de corte e suporte da lâmina de corte.	Encaixe bem
	Sistema de accionamento anómalo	Peça uma inspecção e manutenção.
A lâmina de corte não pára imediatamente ↓ Pare o motor imediatamente	Rotação a marcha rápida	Ajuste
	Fio de acelerador desencaixado	Encaixe bem
	Sistema de accionamento anómalo	Peça uma inspecção e manutenção.
O motor não pára ↓ Coloque o motor em marcha lenta e regule a alavanca do afogador para CLOSE	Conector desencaixado	Encaixe bem
	Sistema eléctrico anómalo	Peça uma inspecção e manutenção.

Quando o motor não arranca após a operação de aquecimento:

Se não encontrar nenhuma anomalia nos itens de verificação, abra o regulador de velocidade cerca de 1/3.

Tak fordi du købte denne DOLMAR benzindreven buskrydder. Vi er glade for at kunne anbefale dig denne DOLMAR benzindreven buskrydder, der er resultatet af et langt udviklingsprogram og mange års viden og erfaring. Læs venligst dette hæfte der i detaljer gennemgår de forskellige punkter, som demonstrerer maskinens fremragende ydeevne. Det vil hjælpe dig med at opnå det bedst mulige resultat med DOLMAR benzindreven buskrydder.



Indhold	Side
Symboler	164
Sikkerhedsregler.....	165
Tekniske data	169
Delenes betegnelser.....	170
Montering af håndtag.....	171
Montering af skærm.....	172
Montering af klinge eller nylontrimmerhoved.....	173
Inden anvendelse	174
Korrekt håndtering af maskinen.....	176
Punkter vedrørende betjening og stopprocedure	176
Slibning af skæreværktøjet.....	178
Vedligeholdelsesinstruktioner	180
Opbevaring.....	184

SYMBOLER

Du skal være opmærksom på følgende symboler, når du læser brugsanvisningen.

	Læs brugsanvisningen og overhold advarsels- og sikkerhedsforholdsreglerne!		Bær hjelm, øjen- og høreværn!
	Vær særlig forsigtig og opmærksom!		Maksimal tilladelig hastighed for værktøj
	Forbudt!		Brændstof (Benzin)
	Hold afstand!		Manuel start af motor
	Risiko for flyvende genstande!		Nødstop
	Ryging forbudt!		Førstehjælp
	Brug af åben ild forbudt!		Genbrug
	Der skal anvendes beskyttelseshandsker!		TÆNDT/START
	Anvend kraftige støvler med skridsikre såler. Sikkerhedssko med stål næse anbefales!		SLUKKET/STOP
	Tilbageslag!		
	Hold arbejdsområdet fri for personer og dyr!		

SIKKERHEDSREGLER

Generelle bestemmelser

- For at sikre at maskinen anvendes korrekt, skal brugeren læse denne brugsanvisning, sådan at han kender til håndteringen af den benzindrevne buskrydder. Brugere, som ikke kender tilstrækkeligt til anvendelsen, er til fare for dem selv og andre pga. forkert håndtering af maskinen.
- Det anbefales, at den benzindrevne buskrydder kun lånes til personer, som har erfaring med brug af benzindrevne buskryddere. Overdrag altid brugsanvisningen.
- Førstegangsbrugere bør bede forhandleren om grundlæggende instrukser for at få kendskab til håndteringen af en motordrevet buskrydder.
- Børn og personer under 18 år må ikke anvende den benzindrevne buskrydder. Personer over 16 må anvende maskinen til træningsformål, men kun under vejledning af en kvalificeret underviser.
- Vær meget opmærksom og forsigtig, når du anvender benzindrevne buskryddere.
- Anvend kun den benzindrevne buskrydder, hvis du er i god fysik form. Udfør alt arbejde roligt og forsigtigt. Brugeren har ansvaret for andre.
- Brug aldrig den benzindrevne buskrydder efter indtagelse af alkohol eller medicin, eller hvis du føler dig træt eller dårligt tilpas.

Beregnet brug af maskinen

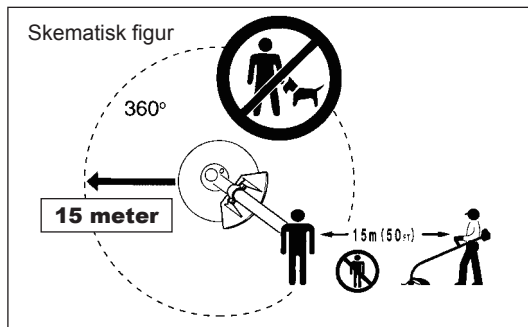
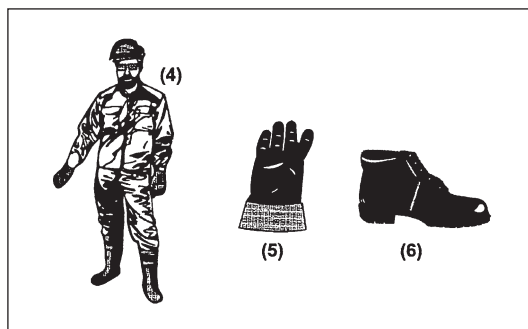
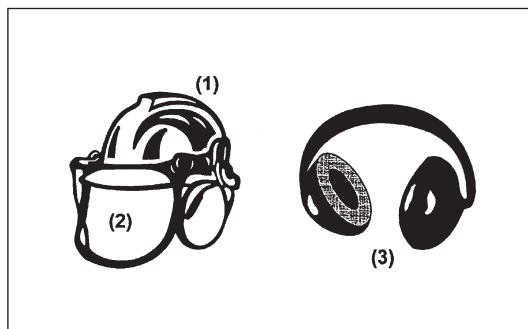
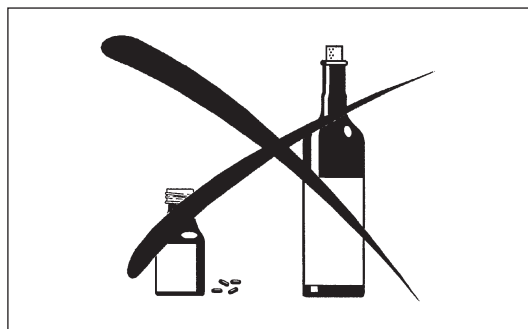
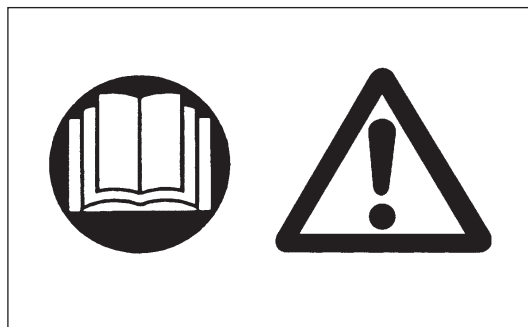
- Den benzindrevne buskrydder er kun beregnet til klipning af græs, ukrudt, buskadser og bundvegetation, og bør ikke anvendes til nogen andre formål, som fx kantafretning eller hækkeklipping, eftersom det kan medføre skader.

Personligt sikkerhedsudstyr

- Der skal bæres funktionelt og passende tøj, dvs. det bør sidde tæt, men ikke være til hindring. Bær ikke smykker eller tøj, der kan sidde fast i buske eller krat.
- For at undgå skader på enten hoved, øjne, hænder eller fødder, samt for at beskytte din hørelse, skal du altid anvende følgende sikkerhedsudstyr og beskyttelsesbeklædning, når du anvender den benzindrevne buskrydder.
- Bær altid en hjelm på steder hvor der er risiko for, at ting falder ned. Beskyttelseshjelm (1) skal med jævne mellemrum efterses for skader og skal udskiftes mindst hvert 5 år. Brug kun godkendte beskyttelseshjelme.
- Hjelmens visir (2) (eller alternativt beskyttelsesbriller) beskytter ansigtet mod flyvende afskårne dele og sten. Under brug af den benzindrevne buskrydder skal du altid anvende beskyttelsesbriller eller et visir for at forhindre øjenskader.
- Anvend passende støjbeskyttelsesudstyr for at undgå hørenedsættelse (hørevern (3) ørepropper m.v.).
- Arbejdsoveralls (4) beskytter mod flyvende sten og afskårne stykker. Vi anbefaler på det stærkeste, at brugeren anvender arbejdsoveralls.
- Specialhandsker (5), der er lavet af tykt læder, er en del af det foreskrevne udstyr og skal altid anvendes under betjening af den benzindrevne buskrydder.
- Når du anvender den benzindrevne buskrydder, skal du altid have solide sko på (6) med en skridsikker sål. Dette beskytter mod skader og sikrer et godt fodfæste.

Start af den benzindrevne buskrydder

- Sørg venligst for, at der ikke er nogen børn eller andre personer indenfor et arbejdsområde på 15 meter (50 fod), samt vær opmærksom på eventuelle dyr i nærheden af arbejdsområdet.
- Du skal altid kontrollere om den benzindrevne buskrydder er sikker at anvende, inden du starter: Kontrollér sikkerheden af skæreværktøjet, om gashåndtaget glider nemt, samt kontrollér at gashåndtagsslåsen virker.
- Skæreværktøjet må ikke rotere i tomgang. Forhør dig hos din forhandler angående justering, hvis du er i tvivl. Sørg for, at håndtagene er rene og tørre og test funktionen af start/stop-kontakten.

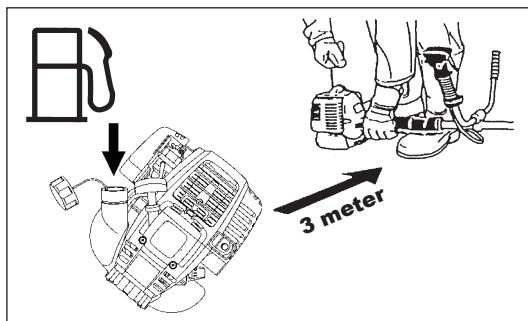
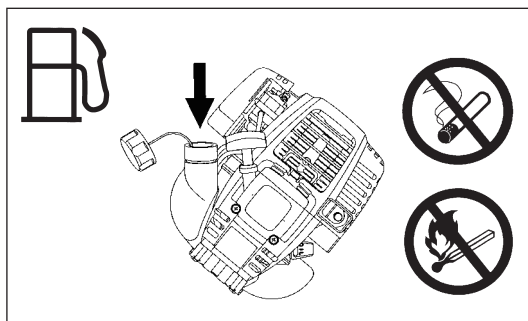
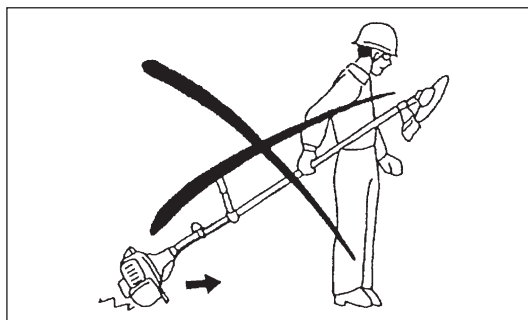
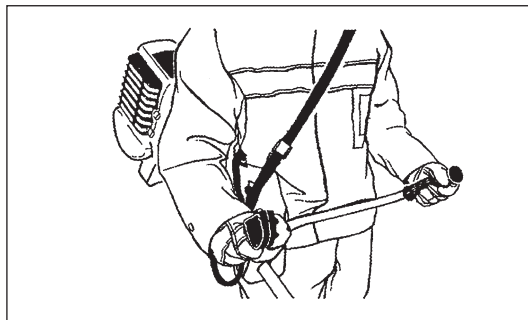
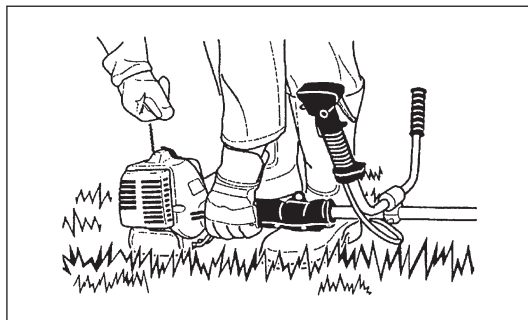


Start kun den benzindrevne buskrydder som beskrevet i brugsanvisningen

- Benyt ikke andre metoder til at starte motoren med!
- Brug den benzindrevne buskrydder og værktøjerne til de specificerede anvendelser.
- Start først motoren på den benzindrevne buskrydder, når maskinen er helt samlet. Det er kun tilladt at betjene maskinen efter alt tilbehøret er monteret!
- Inden du starter, skal du sikre dig, at skæreværktøjet ikke er i kontakt med hårde objekter som fx grene, sten eller lignende, eftersom skæreværktøjet drejer rundt, når du starter.
- Motoren skal øjeblikkeligt slås fra i tilfælde af motorproblemer.
- Skulle skæreværktøjet ramme sten eller andre hårde objekter, skal du straks slukke for motoren og efterse skæreværktøjet.
- Efterse skæreværktøjet for skader med korte jævne mellemrum (efterse for hårridser vha. banke-støj-testen).
- Betjen kun den benzindrevne buskrydder sammen med bæreremmen, der skal justeres ordentligt til, inden den benzindrevne buskrydder tages i brug. Det er vigtigt at justere bæreremmen i henhold til brugerens størrelse for at forhindre træthed under brug. Hold aldrig buskrydderen med kun én hånd under brug.
- Den benzindrevne buskrydder skal altid holdes med begge hænder under brug.
Sørg altid for at have et godt fodfæste.
- Betjen den benzindrevne buskrydder på en sådan måde, at du undgår at inhalere udstødningsgasserne. Lad aldrig motoren køre i indelukkede rum (risiko for gasforgiftning). Kulilte er en lugtfri gas.
- Sluk for motoren under pauser og når den benzindrevne buskrydder efterlades uden opsyn, og placer den på et sikkert sted for at forhindre fare for andre og beskadigelse af maskinen.
- Placer aldrig den varme benzindrevne buskrydder på tørt græs eller på andre brændbare materialer.
- Skæreværktøjet skal altid være udstyret med den tilhørende skærm.
Anvend aldrig buskrydderen uden denne skærm!
- Alle sikkerhedsinstallationer og skærme, der følger med maskinen, skal anvendes under betjeningen.
- Anvend aldrig motoren med en defekt lyddæmper.
- Sluk for motoren under transport.
- Under transport over lange afstande skal den medfølgende maskinbeskyttelse altid anvendes.
- Sørg for, at den benzindrevne buskrydder er placeret ordentligt under biltransport for at undgå brændstofdækage.
- Når du transporterer den benzindrevne buskrydder, skal du sørge for, at brændstoftanken er helt tom.
- Når den benzindrevne buskrydder tages af vognen, må motoren aldrig tabes på jorden, eftersom dette kan medføre alvorlig beskadigelse af brændstoftanken.
- Medmindre det er i et nødstilfælde, må du aldrig tabe eller smide den benzindrevne buskrydder ned på jorden, eftersom det kan forvolde alvorlige skader på den benzindrevne buskrydder.
- Husk altid at løfte hele maskinen op fra jorden, når du flytter den. Det er yderst farligt at trække brændstoftanken hen over jorden, og det kan forårsage skader samt lækage af brændstof, der muligvis kan udvikle brand.

Påfyldning af brændstof

- Sluk for motoren under påfyldning af brændstof, hold maskinen væk fra åben ild, samt undlad ryge.
- Undgå hudkontakt med mineralske olieprodukter. Inhaler ikke brændstofdampe. Bær altid beskyttelseshandsker under påfyldning af brændstof. Skift og rens beskyttelsesbeklædningen med jævne mellemrum.
- Pas på ikke at spilde enten brændstof eller olie for at forhindre forurening af jorden (miljøbeskyttelse). Rengør den benzindrevne buskrydder straks efter der er spildt brændstof.
- Undgå at få brændstof på tøjet. Skift tøj øjeblikkeligt, hvis der kommer brændstof på (for at forhindre at tøjet går i brand).
- Efterse brændstofdækslet med jævne mellemrum for at sikre, at det kan lukkes ordentligt, og der ikke lækker brændstof ud.
- Skru omhyggeligt brændstoftankens dæksel på. Skift sted inden motoren startes (mindst 3 meter væk fra stedet for brændstofpåfyldningen).
- Påfyld aldrig brændstof i lukkede rum. Der kan ophobes brændstofdampe i jordhøjde (risiko for eksplosion).
- Foretag kun transport og opbevaring af brændstof i godkendte beholdere. Sørg for, at brændstof opbevares således, at børn ikke har adgang til det.



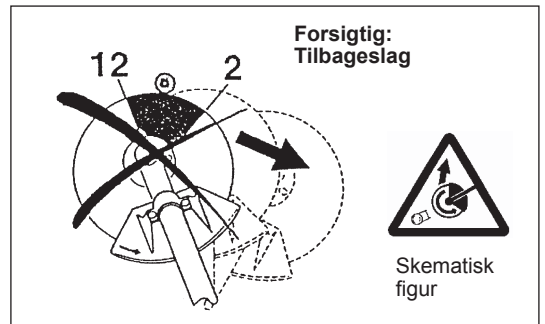
Betjeningsmetode

- Brug kun den benzindrevne buskrydder på steder med god belysning og sigtbarhed. I vintersæsonen skal du være på vagt overfor glatte eller våde områder, is og sne (der er risiko for at falde). Sørg altid for at have et godt fodfæste.
- Skær aldrig over hoftehøjde.
- Stå aldrig på en stige, mens du anvender den benzindrevne buskrydder.
- Klatr aldrig op i træer for at udføre skærearbejde med den benzindrevne buskrydder der.
- Arbejd aldrig på ustabile overflader.
- Fjern sand, sten, søm m.v. som findes inden for arbejdsområdet. Fremmedlegemer kan beskadige skæreværktøjet og forårsage farlige tilbageslag.
- Inden foretagelse af skærearbejde skal skæreværktøjet have nået op på fuld arbejdshastighed.



Tilbageslag

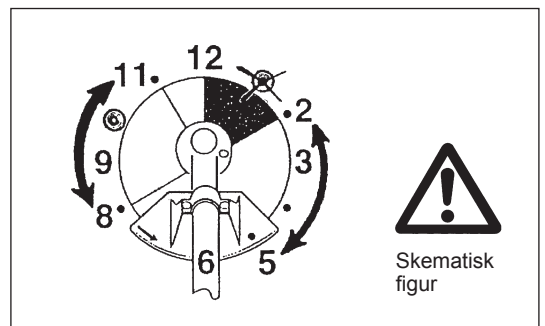
- Der kan opstå ukontrollerede tilbageslag, når du arbejder med den benzindrevne buskrydder.
- Dette gælder især ved forsøg på skæring med klingeafsnittet mellem klokken 12 og 2.
- Anvend aldrig den benzindrevne buskrydderens klingeafsnit i retningen mellem klokken 12 og 2.
- Anvend aldrig denne del af den benzindrevne buskrydders klinge til hårde ting, som fx buske og træer osv., der har en diameter på over 3 cm, ellers kastes den benzindrevne buskrydder tilbage med stor kraft med fare for personskader.



Forebyggelse af tilbageslag

Vår opmærksom på følgende for at undgå tilbageslag:

- Anvendelse af klingeafsnittet mellem klokken 12 og 2 er meget farligt, især ved brug af metalskæreværktøjer.
- Skærearbejde med den del af klingen, der svarer til mellem klokken 11 til 12 og mellem 2 og 5, må kun udføres af trænede og erfarne personer, og kun på egen risiko. Det er muligt at foretage nemt skærearbejde næsten uden tilbageslag med den del af klingen, der svarer til mellem klokken 8 og 11.

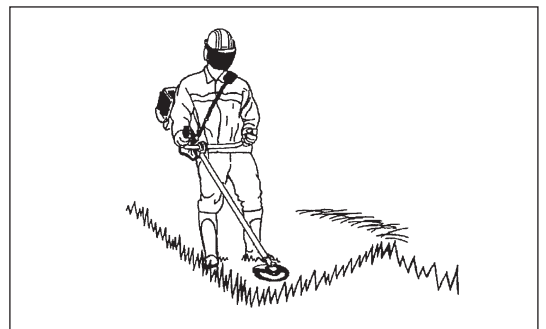


Skæreværktøjer

Anvend kun det korrekte skæreværktøj til jobbet.

MS-335.4 U med klinge, nylontrimmerhoved

Til skæring af tykke materialer som fx ukrudt, højt græs, buske, krat, underskov, buskadser m.v. (maks. tykkelse på 2 cm i diameter). Udfør dette skærearbejde ved at svinge den benzindrevne buskrydder jævnt i halvcirkler fra højre mod venstre (på samme måde som ved anvendelse af en le).



Vedligeholdelsesvejledning

- Buskrydderens tilstand, især beskyttelsesanordningerne for skæreværktøjet og også bæreremmen, skal kontrolleres inden brug. Vær også ekstra opmærksom på klingerne, der skal være slebet korrekt.
- Sluk for motoren og fjern tændrørshætten, når du udskifter eller sliber skæreværktøjer, samt også når du rengør buskrydderen eller skæreværktøjet.

Forsøg aldrig at rette beskadigede skæreværktøjer ud eller svejse dem.

- Anvend den benzindrevne buskrydder således at der dannes mindst muligt støj og forurening. Kontroller især den korrekte indstilling af karburatoren.
- Rengør den benzindrevne buskrydder med jævne mellemrum og kontroller, at alle skruer og møtrikker er strammet ordentligt til.
- Du må aldrig foretage service på den benzindrevne buskrydder eller opbevare den i nærheden af åben ild.
- Opbevar altid den benzindrevne buskrydder på et aflåst sted og med tom brændstoftank.



Overhold de relevante vejledninger angående ulykkesforebyggelse som udgives af de pågældende brancheforeninger og forsikringsfirmaer. Foretag ikke nogen ændringer på den benzindrevne buskrydder, eftersom det sætter din sikkerhed i fare.

Udførelsen af vedligeholdelsesarbejde eller reparationer af brugeren er begrænset til de ting, der er beskrevet i brugsanvisningen. Alt andet arbejde skal udføres af en godkendt serviceagent. Brug kun ægte reservedele og tilbehør som forhandles og leveres af DOLMAR.

Brug af ikke-godkendt tilbehør og værktøjer kan forøge risikoen for uheld.

DOLMAR påtager sig intet ansvar for ulykker eller skader, der er opstået på grund af brug af ikke-godkendte skæreværktøjer, fastgørelsesmidler til skæreværktøjer eller tilbehør.

Førstehjælp

I tilfælde af en ulykke skal du sørge for at have en førstehjælpskasse i nærheden af det sted, hvor du udfører skærearbejde. Erstat straks de ting der benyttes fra førstehjælpskassen.

Oplys venligst følgende hvis du tilkalder hjælp:

- Sted for ulykke
- Hvad der er sket
- Antallet af tilskadedkomne personer
- Hvilke skader det drejer sig om
- Dit navn



Indpakning

DOLMAR benzindreven buskrydder leveres i to beskyttende papkasser for at forhindre, at maskinen beskadiges under transporten. Pap er et basalt råmateriale og kan derfor bruges igen og igen eller afleveres til genbrug (genbrug af papiraffald).



EU-ERKLÆRING VEDRØRENDE OVERHOLDELSE AF STANDARDER

Model MS-335.4 U

Vi erklærer os fuldstændig ansvarlige for, at dette produkt er i overensstemmelse med følgende direktiver: 2004/108/EC, 2000/14/EC, 98/37/EC indtil 28. december 2009 og derefter med 2006/42/EC fra 29. december 2009.

De vigtigste anvendte standarder for ordentligt at leve op til kravene i direktiverne ovenfor var: EN11806, EN55012.

Målt lydeffekt: 109,7 dB (A)

Garanteret lydeffekt: 112 dB (A)

Disse lydeffektniveauer blev målt i overensstemmelse med Rådets direktiv, 2000/14/EC.

Procedure for overensstemmelsesvurdering: Appendiks V.

19. DEC. 2008

Tamiro Kishima
Administrerende direktør

Rainer Bergfeld
Administrerende direktør

Ansvarlig producent:
Makita Corporation
3-11-8, Sumiyoshi-cho, Anjo, Aichi, JAPAN
Autoriseret repræsentant i Europa:
DOLMAR GmbH
Jenfelder Str. 38, 22045 Hamburg, Germany

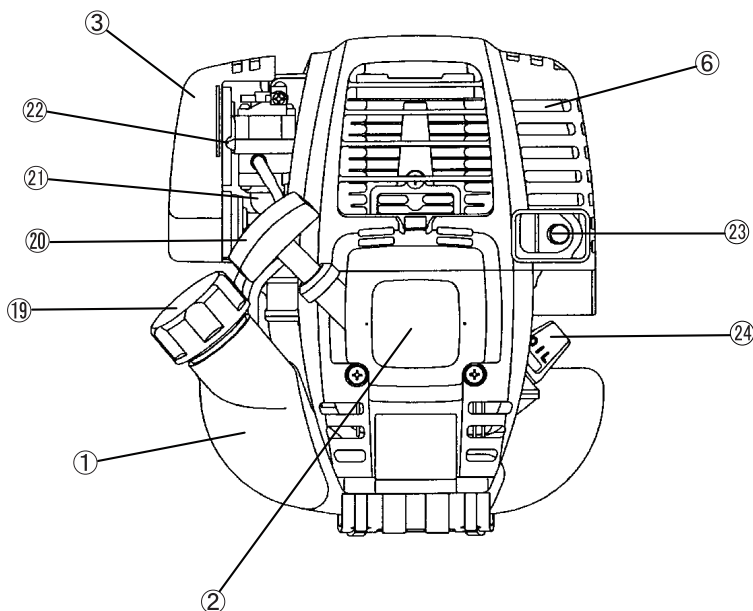
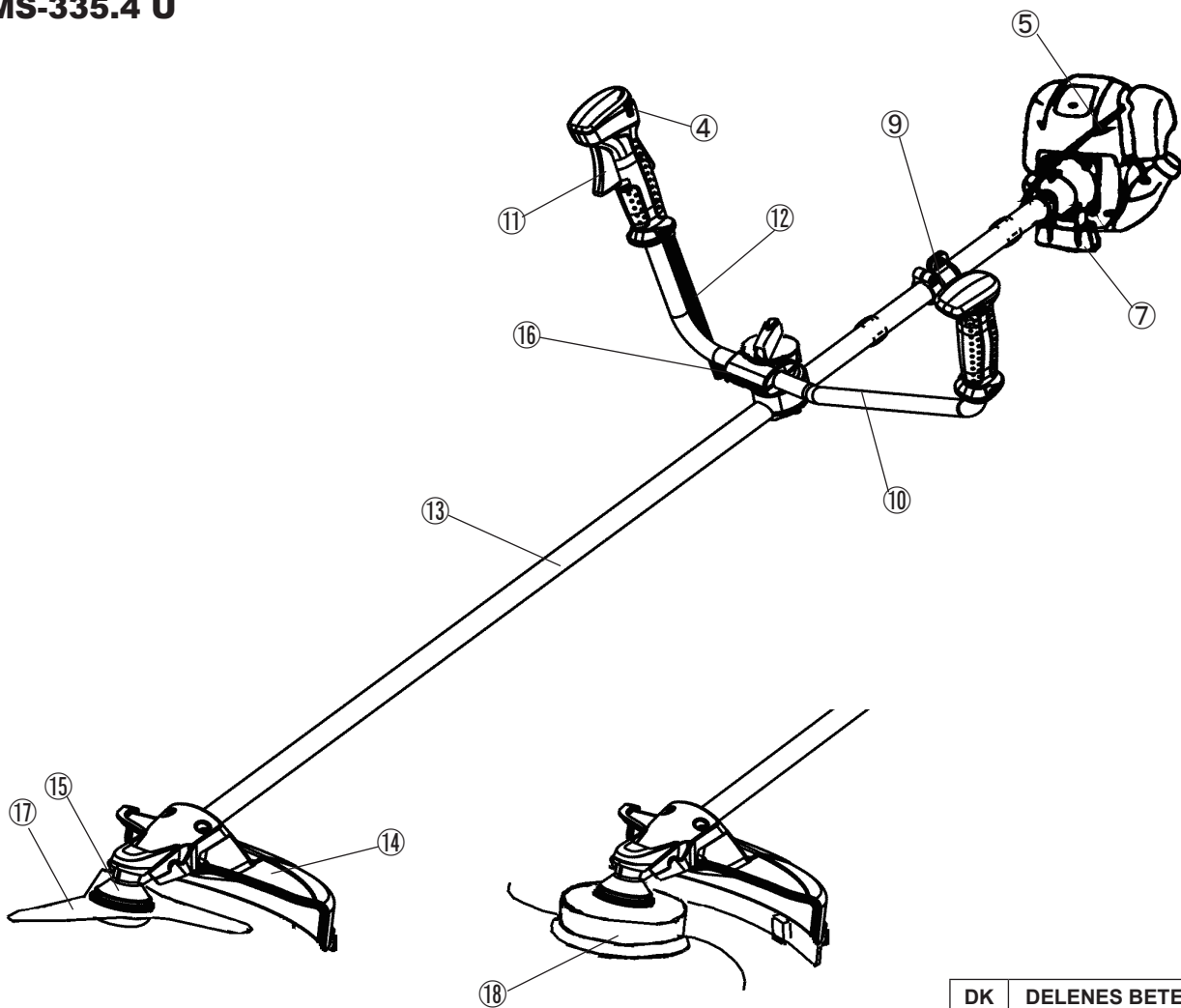
TEKNISKE DATA MS-335.4 U

Model		MS-335.4 U		
		Cykelhåndtag		
Mål: længde x bredde x højde (uden klinger)	mm	1.810 x 620 x 500		
Vægt (uden plasticskærm og klinger)	kg	7,1		
Volumen (brændstoftank)	L	0,65		
Volumen (olietank)	L	0,1		
Motorvolumen	cm ³	33,5		
Maksimal motorydelse ISO8893	kw	1,07 ved 7.000 min ⁻¹		
Maksimal spindelrotationsfrekvens	min ⁻¹	6.850		
Motorhastighed ved anbefalet maksimal spindelhastighed	min ⁻¹	10.000		
Brændstofforbrug ved maks. motorydelse ISO8893	kg/t	0,458		
Specifikt brændstofforbrug ved maks. motorydelse	g/kwt	426		
Motorhastighed i tomgang	min ⁻¹	3.000		
Indkoblingshastighed	min ⁻¹	4.100		
Karburator (Membran - karburator)	type	WALBRO WYL		
Tænding	type	Integreret tænding		
Tændrør	type	NGK CMR4A		
Elektrodeafstand	mm	0,7 - 0,8		
Vibration pr. ISO 22867 ¹⁾	Højre håndtag (Bagerste greb)	Tomgang	m/s ²	1,34
		Fuld fart eller gashåndtag i bund	m/s ²	4,39
	Venstre håndtag (Forreste greb)	Tomgang	m/s ²	1,28
		Fuld fart eller gashåndtag i bund	m/s ²	3,26
Gennemsnitligt lydtryksniveau til ISO 22868 ¹⁾	dB(A)	98,2		
Gennemsnitligt lydeffektniveau til ISO 22868 ¹⁾	dB(A)	106,7		
Brændstof		Almindelig benzin		
Motorolie		SAE 10W-30 olie under API-klassificering, Klasse SF eller højere (4-takts bilmotor)		
Skæreværktøjer (klingediameter)	mm	305 (med tre klinger)		
Gearforhold		13/19		

1) Der er i dataene taget lige forbehold for betjeningsstilstandene tomgang og fuld fart eller gashåndtaget helt i bund.

DELENES BETEGNELSER

MS-335.4 U



DK	DELENES BETEGNELSER
1	Brændstoftank
2	Startsnor
3	Luffilter
4	I-O kontakt (tænd/sluk)
5	Tændrør
6	Lyddæmper
7	Koblingshus
9	Bøjle
10	Håndtag
11	Gashåndtag
12	Styrekabel
13	Skaft
14	Skærm
15	Gearkasse/Hovedhus
16	Håndtagholder
17	Klinge
18	Nylontrimmerhoved
19	Brændstofdæksel
20	Starthåndtag
21	Tipper
22	Chokerhåndtag
23	Udstødningsrør
24	Oliemålerpind

MONTERING AF HÅNDTAG

FORSIGTIG: Inden du udfører arbejde på den benzindrevne buskrydder, skal du altid stoppe motoren og fjerne tændrørshætten fra tændrøret.
Bær altid beskyttelseshandsker!

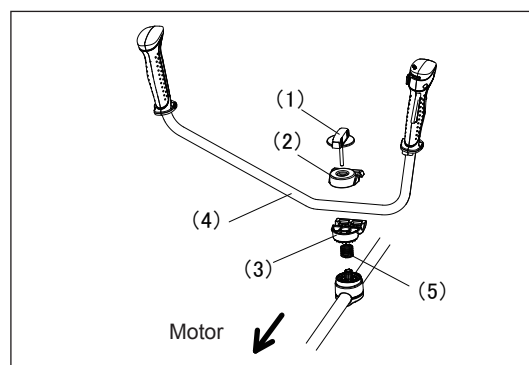
FORSIGTIG: Start kun den benzindrevne buskrydder efter den er helt samlet.



Til maskiner med cykelhåndtag

- Løsn knap (1).
- Placer håndtaget (4) mellem håndtagsklemmen (2) og håndtagsholderen (3).
- Juster håndtaget (4) ind på en vinkel der giver en behagelig arbejdsposition, og fastgør det derefter ordentligt ved at stramme knappen til med håndkraft (1).

FORSIGTIG: Glem ikke at montere fjederen (5).



MONTERING AF SKÆRM

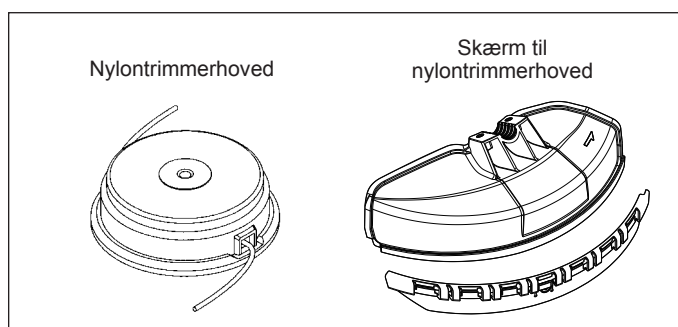
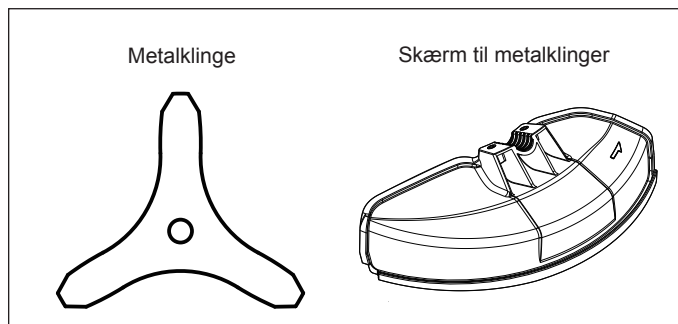
For at leve op til de gældende sikkerforskrifter, er det kun de værktøjs/skærmkombinationer som er angivet i skemaet, som må anvendes.



Sørg for at anvende ægte DOLMAR-klinger eller nylontrimmerhoved.

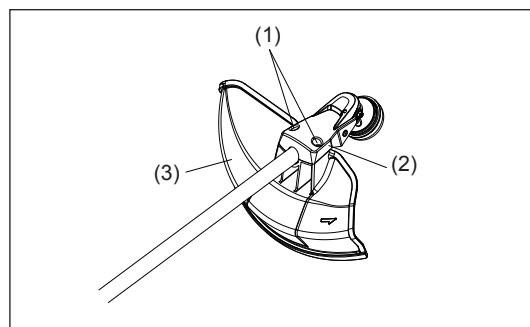
- Klingen skal være velpudset, fri for ridser og revner. Hvis klingen rammer mod en sten under arbejdet, skal du stoppe motoren og straks undersøge klingen.
- Slib eller udskift klingen efter hver tre timers brug.
- Hvis nylontrimmerhovedet rammer mod en sten under arbejdet, skal du stoppe motoren og straks undersøge nylontrimmerhovedet.

FORSIGTIG: Der skal altid være monteret den rigtige skærm for din egen sikkerheds skyld, samt for at overholde bestemmelserne for ulykkesforebyggelse. Det er ikke tilladt at betjene maskinen uden skærmen er korrekt monteret. Den udvendige diameter på klingen skal være mindst 255 mm (10"). Klinger med en udvendig diameter på 305 mm (12") kan kun anvendes til dem, der har tre klinger.



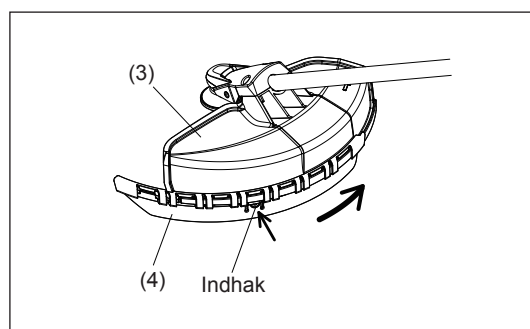
- Ved brug af metalklingen, fastgør skærmen (3) til spændebøjlen (2) med to bolte M6 x 30 (1).

BEMÆRK: Stram den højre og venstre bolt lige meget, sådan at afstanden mellem spændebøjlen (2) og skærmen (3) er konstant. Ellers fungerer skærmen nogle gange ikke som angivet.



- Når nylonsnoren skal anvendes, skal du sørge for at montere nylonnorsskærmen (4) oven på metalklingskærmen (3).
- Monter nylonnorsskærmen (4) ved at holde midterindhakket inde, mens skærmen skydes ind på plads fra siden af metalklingskærmen (3).
- Fjern den tape der sidder på kniven, som skærer nylonsnoren af, på nylonnorsskærmen (4).

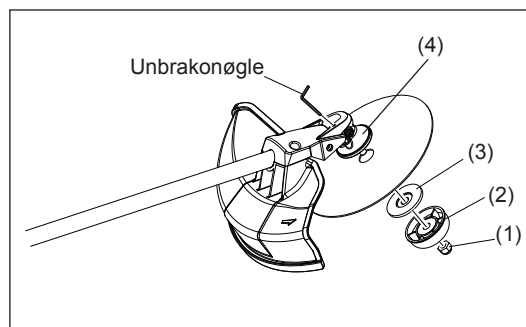
FORSIGTIG: Sørg for at skubbe nylonnorsskærmen (4) helt ind på plads. Pas på du ikke kommer til skade på kniven til skæring af nylonsnoren.



MONTERING AF KLINGE ELLER NYLONTRIMMERHOVED

Vend maskinen om, så kan du nemt udskifte klingen eller nylontrimmerhovedet.

- Indsæt unbrakonøglen gennem hullet i gearkassen og drej modtageskiven (4) indtil den er låst med unbrakonøglen.
- Løsn møtrikken (1) (venstregevind) med topnøglen og fjern møtrikken (1), underlagsskiven (2) og klemmeskiven (3).



Montering af klinge

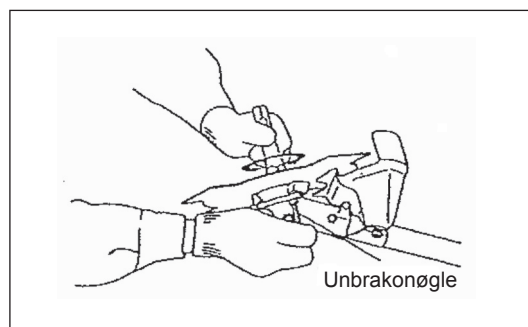
Med unbrakonøglen stadig på plads.

- Monter klingens skaft sådan at føringen på modtageskiven (4) passer ind i skaftåbningen på klingens skaft. Monter klemmeskiven (3), underlagsskiven (2), og fastgør klingens skaft med møtrikken (1).
[Tilspændingsmoment: 13 - 23 N-m]

BEMÆRK: Bær altid handsker, når du håndterer klingens skaft.

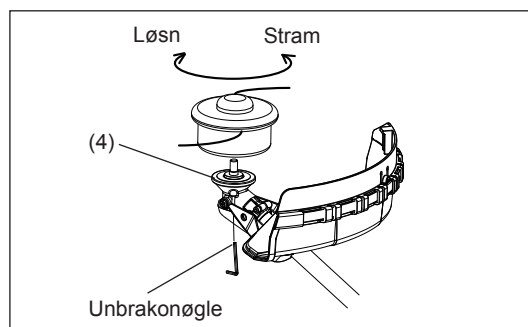
BEMÆRK: Fastspændingsmøtrikken til klingens skaft (med fjederskive) er en forbrugsdel.

Hvis der kan ses slid eller deformation på fjederskiven, skal du udskifte møtrikken.

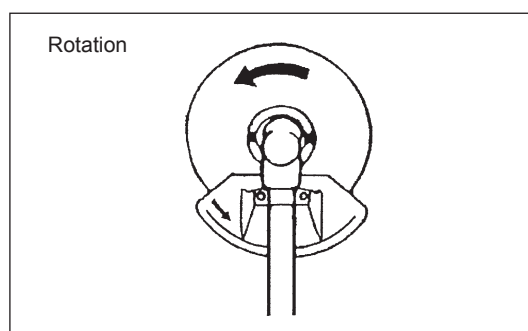


Montering af nylontrimmerhoved

- Klemmeskiven (3), underlagsskiven (2) og møtrikken (1) behøves ikke til montering af nylontrimmerhovedet. Nylontrimmerhovedet placeres oven på modtageskiven (4).
- Indsæt unbrakonøglen gennem hullet i gearkassen og drej modtageskiven (4) indtil den er låst med unbrakonøglen.
- Skru derefter nylontrimmerhovedet på skaftet ved at dreje det mod urets retning.
- Fjern unbrakonøglen.



- Kontroller, at klingens skaft roterer venstre om.



INDEN ANVENDELSE

Eftersyn og opfyldning af motorolie

- Udfør den følgende procedure med afkølet motor.
- Med motoren holdt vandret, fjern oliemålerpinden og kontroller at olien er fyldt op til mellem de øvre og nedre grænsemærker. Når der mangler olie på maskinen, sådan at oliemålerpinden kun rører ved olien med spidsen, især med oliemålerpinden indsat i krumtaphuset uden iskruning (Fig. 1), påfyldes ny olie til op i nærheden af åbningen (Fig. 2).
- Som reference skal der påfyldes olie hver 15 t (påfyldningsfrekvens: 15 gange).
Hvis olien skifter farve, eller der kommer snavs i, skal den udskiftes med ny olie. (For udskiftningsinterval og metode, se side 180 - 181)

Anbefalet olie: SAE 10W-30 olie under API-klassifikation, klasse SF eller højere (4-takts bilmotor)

Oliemængde: Cirka 0,1L

Bemærk: Hvis motoren ikke holdes i oprejt stilling, kan olie bevæge sig rundt i motoren, og der fyldes muligvis for meget på.
Hvis der påfyldes olie over grænsen, kan olien blive beskidt og eventuelt antændes med afgivelse af hvid røg til følge.

Punkt 1 i Udskiftning af olie: "Oliemålerpind"

- Fjern støv og snavs i nærheden af oliepåfyldningsåbningen og fjern oliemålerpinden.
- Sørg for at holde den udtagne oliemålerpind fri for sand og støv. I modsat fald kan sand eller støv, der sidder fast på oliemålerpinden medføre irregulær oliecirculation eller slid på motordelene, hvilket kan forårsage problemer.
- Som et eksempel på hvordan oliemålerpinden kan holdes ren, anbefales det at indsætte oliemålerpindens greb i motordækslet som vist i Fig. 3.

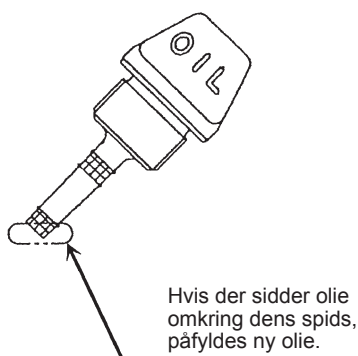


Fig. 1

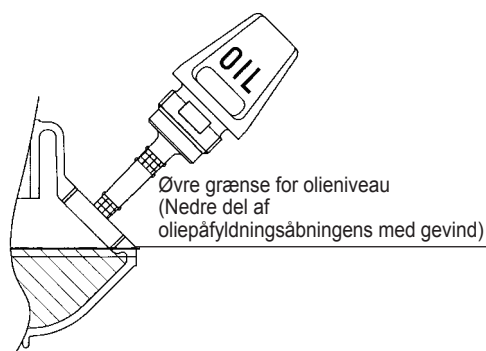


Fig. 2

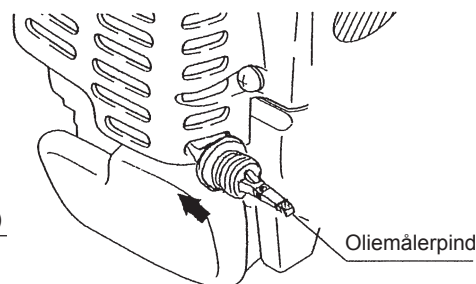
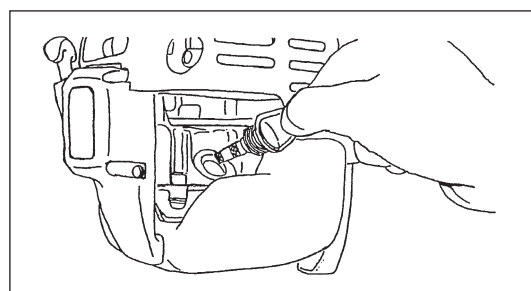
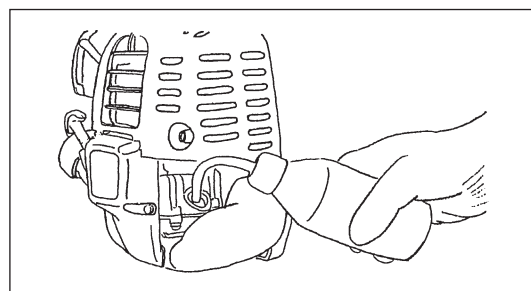


Fig. 3

(1) Hold motoren vandret og fjern oliemålerpinden.



(2) Fyld olie op til kanten af oliepåfyldningsåbningen. (Se Fig. 2).
Påfyld olien med smøremiddelbeholderen.



(3) Stram oliemålerpinden ordentligt til. Der kan spildes olie, hvis den ikke strammes ordentligt.

Punkt 2 i Udskiftning af olie: "Hvis der spildes olie"

- Hvis der spildes olie mellem brændstoftanken og motoren, suges olien ind gennem luftafkølingsindtaget, hvilket kan forurene motoren. Sørg for at tørre spildt olie af inden start af maskinen.

PÅFYLDNING AF BRÆNDSTOF

Håndtering af brændstof

Det er nødvendigt at håndtere brændstof med stor forsigtighed. Brændstof kan indeholde substanser, der ligner opløsningsmidler. Påfyldning af brændstof skal udføres i et tilstrækkeligt ventileret rum eller i fri luft. Indhaler aldrig brændstofdamp og hold brændstof væk fra dig. Hvis du rører gentagne gange ved brændstof, eller i lang tid, bliver huden tør, og det kan muligvis medføre hudsygdomme eller allergi. Hvis du får brændstof i øjet, skal du rense øjet med rent vand. Hvis det stadig er irriteret, skal du kontakte en læge.

Opbevaringsperiode for brændstof

Brændstof bør opbruges inden for 4 uger, selvom det opbevares i en særlig beholder på et sted i skyggen med god udluftning. Hvis der ikke anvendes en særlig beholder, eller hvis beholderen ikke er dækket til, kan brændstoffet nedbrydes på en dag.

OPBEVARING AF MASKINE OG GENOPFYLDNINGSTANK

- Opbevar maskinen og tanken på et køligt sted uden for direkte sollys.
- Opbevar aldrig brændstof inde i kabinen eller i bagagerummet.

Brændstof

Motoren er en firetakts motor. Sørg for at anvende benzin til biler (almindelig benzin eller superbenzin).

Punkter angående brændstof

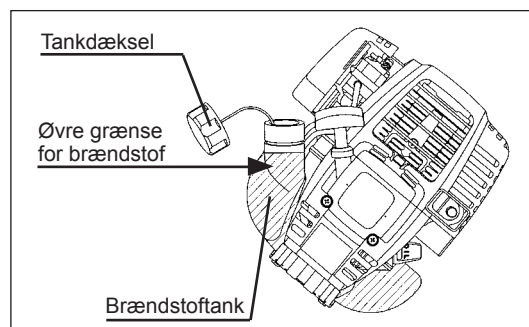
- Brug aldrig en benzinblanding der indeholder motorolie. I modsat fald vil det medføre en for stor kulophobning eller mekaniske problemer.
- Brug af gammel olie medfører startproblemer.

Påfyldning af brændstof

ADVARSEL: BRÆNDBARE STOFFER ER STRENGT FORBUDT

Anvendt benzin: Benzin til biler (blyfri)

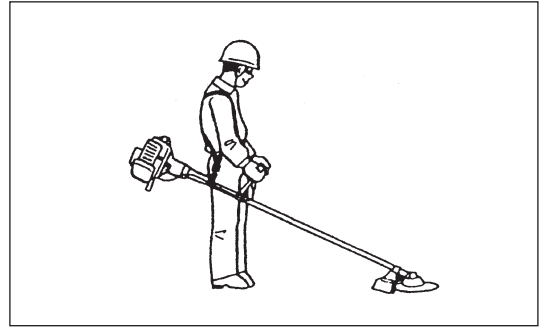
- Løsn tankdækslet en lille smule, sådan at der ikke er nogen forskel i atmosfærisk tryk.
 - Tag tankdækslet af, påfyld brændstof og luk luften ud ved at tippe brændstoftanken sådan at brændstofåbningen vender opad. (Fyld aldrig brændstof i oliepåfyldningsåbningen.)
 - Tør tankdækslet ordentligt af for at forhindre fremmedlegemer i at komme ned i brændstoftanken.
 - Efter påfyldning af brændstof strammes tankdækslet ordentligt til.
- Hvis der er revner eller skader på tankdækslet, skal det udskiftes.
 - Tankdækslet er en forbrugsdel og bør derfor altid udskiftes efter to til tre år.



KORREKT HÅNDTERING AF MASKINEN

Montering af bærerem

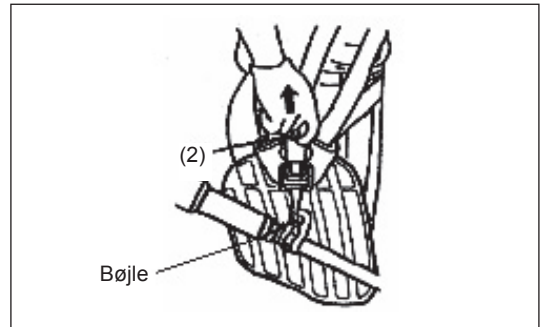
- Juster længden af remmen sådan, at klingen holdes parallelt med jorden.



Aftagning

- I nødstilfælde, fjern nødaftagningshåndtaget (2) ved at trække hårdt med en finger. Maskinen frigøres fra kroppen.
Du skal være meget omhyggelig med at beholde kontrollen over maskinen på dette tidspunkt. Tillad ikke maskinen at blive slået tilbage mod dig eller andre i nærheden.

ADVARSEL: Hvis du ikke har fuld kontrol over maskinen, kan det resultere i alvorlig kvæstelse eller DØD.



PUNKTER VEDRØRENDE BETJENING OG STOPPROCEDURE

Overhold de gældende bestemmelser for ulykkesforebyggelse!

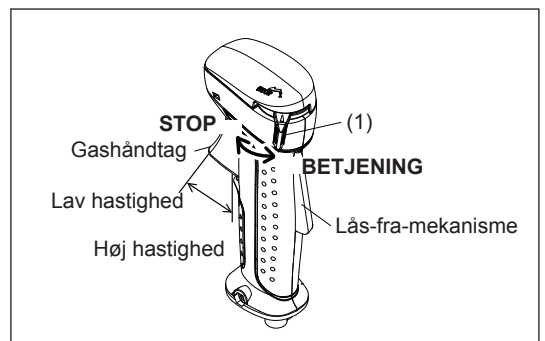


START

Gå mindst 3 m væk fra stedet for brændstoppåfyldningen. Placer den benzindrevne buskrydder på et rent jordunderlag, mens du passer på, at skæreværktøjet ikke kommer i kontakt med jorden eller andre genstande.

A: Koldstart

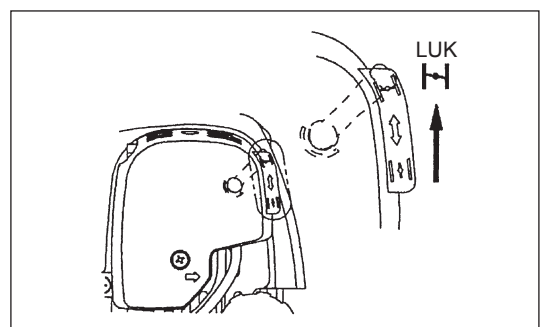
- 1) Placer maskinen på et plant område.



- 2) Sæt I-O kontakten (1) på BETJENING.

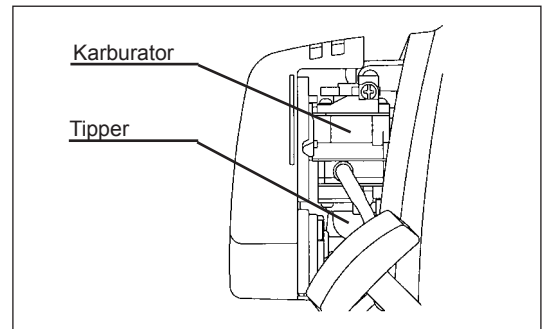
- 3) Chokerhåndtag
Luk chokerhåndtaget.
Chokeråbning:

- Helt lukket ved kolde temperaturer, eller når motoren er kold.
- Fuld eller halv åbning ved genstart lige efter stop af motoren.



4) Tipper

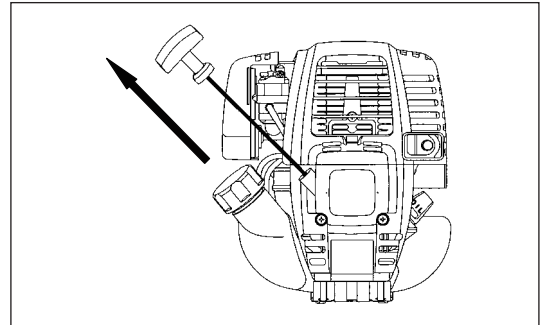
Fortsæt med at trykke på tipperen indtil der kommer brændstof ind i tipperen. (Normalt kommer der brændstof ind i tipperen efter 7 til 10 tryk.) Hvis der trykkes for meget på tipperen, vender det overskydende brændstof tilbage til brændstoftanken.



5) Rekylstarter

Træk forsigtigt i starthåndtaget indtil det bliver hårdt at trække i (kompressionspunktet). Før derefter starthåndtaget tilbage, og træk hårdt i det.

Træk aldrig snoren helt ud. Når først starthåndtaget er trukket, må du aldrig slippe med det samme. Hold i starthåndtaget indtil det vender tilbage til den oprindelige position.



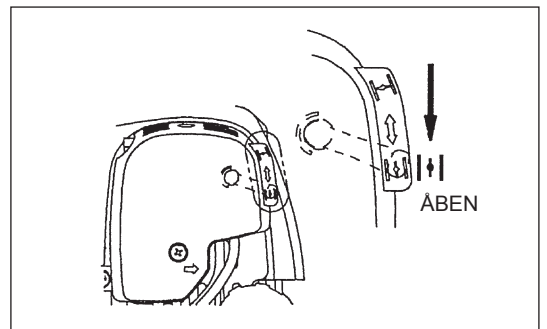
6) Chokerhåndtag

Åbn chokerhåndtaget når motoren starter.

- Åbn chokerhåndtaget progressivt, mens du kontrollerer motorens funktion. Sørg for til sidst at åbne chokerhåndtaget helt op.
- Når det er koldt, eller motoren er afkølet, skal du aldrig pludselig åbne op for chokerhåndtaget. I modsat fald stopper motoren muligvis.

7) Opvarmning

Fortsæt opvarmning i 2 til 3 minutter.



- Bemærk: - Hvis starterhåndtaget trækkes gentagne gange med chokerhåndtaget i "LUKKET"-positionen, starter motoren ikke nemt pga. for stort brændstofindtag.
- Hvis der er opstået et for stort brændstofindtag, skal du fjerne tændrøret og trække langsomt i starterhåndtaget for at fjerne det overskydende brændstof. Tør også tændrørets elektrodedel af.

Vær opmærksom på følgende under arbejdet:

Hvis gashåndtaget åbnes helt op, uden der er nogen belastning, stiger motoromdrejningerne til 10.000 min⁻¹ eller mere. Betjen aldrig motoren ved en højere hastighed end nødvendigt, og hold en omtrentlig hastighed på 6.000 - 8.500 min⁻¹.

B: Opstart efter opvarmning

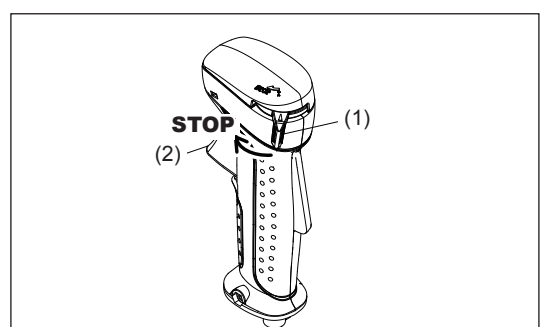
- 1) Tryk gentagne gange på tipperen.
- 2) Hold gashåndtaget på tomgangspositionen.
- 3) Træk hårdt i rekylstarteren.
- 4) Hvis det er svært at starte motoren, skal du åbne gashåndtaget med cirka en 1/3. Vær opmærksom på at klingens der muligvis roterer.

Vær opmærksom på følgende under betjening

Når motoren betjenes, mens den er vendt på hovedet, kommer der muligvis hvid røg ud fra lydæmperen.

STOPPROCEDURE

- 1) Slip gashåndtaget (2) helt, og når motorens omdrejninger er faldet, skal du skubbe I-O kontakten over på STOP for at standse motoren.
- 2) Vær opmærksom på at skærehovedet muligvis ikke stopper øjeblikkeligt, og giv det tid til at bremse helt ned.



Betjening af gashåndtaget

Med hånden på selve gashåndtaget (og med lås-fra-håndtaget trykket ind), trykkes gashåndtaget ind og motoromdrejningerne forøges. Slip gashåndtaget og motoren vender tilbage til tomgang.

Fjern hånden fra selve gashåndtaget og lås-fra-håndtaget vender automatisk tilbage, sådan at gashåndtaget ikke aktiveres ved en fejltagelse.

Justering af motoromdrejninger

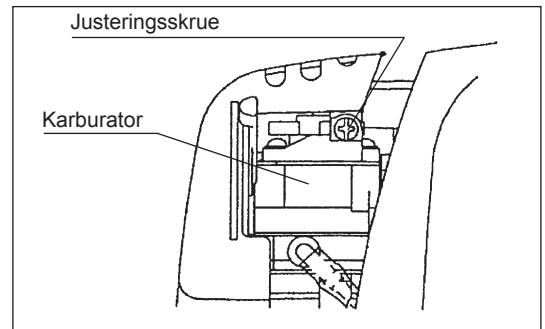
Når du justerer motoromdrejningerne med gashåndtaget helt åbent, skal du dreje på gaskontrollens drejeknap. Drej drejeknappen i urets retning for at reducere motoromdrejningerne. Drej drejeknappen mod urets retning for at forøge motoromdrejningerne.

JUSTERING AF OMDREJNINGER VED LAV HASTIGHED (TOMGANG)

Når det er nødvendigt at justere omdrejningerne ved lav hastighed (tomgang), skal du justere på karburatorens justeringsskrue.

KONTROL AF OMDREJNINGER VED LAV HASTIGHED

- Indstil omdrejningerne ved lav hastighed til 3.000 min⁻¹. Hvis det er nødvendigt at ændre omdrejningshastigheden, skal du indstille justeringsskruen (illustreret til venstre) med en stjerneskruetrækker.
- Drej justeringsskruen til højre for at forøge motoromdrejningerne. Drej justeringsskruen til venstre for at sænke motoromdrejningerne.
- Karburatoren justeres almindeligvis inden afsending. Hvis det er nødvendigt at justere den, kontakt venligst en godkendt serviceagent.



SLIBNING AF SKÆREVÆRKTØJET



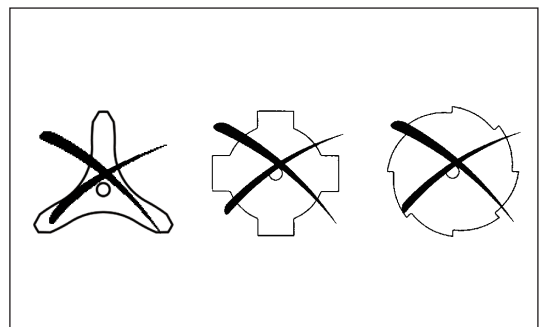
FORSIGTIG:

De skæreværktøjer, der er nævnt nedenfor, må kun slibes på et autoriseret sted. Manuel slibning vil resultere i ubalancer i skæreværktøjet, hvilket forårsager vibrationer og skader på maskinen.

- klinge
Der ydes en professionel slibe- og balanceringsjeneste af godkendte serviceagenter.

BEMÆRK:

For at forlænge klingens levetid, kan den vendes om en enkelt gang, indtil begge skærekanter er blevet sløve.



NYLONTRIMMERHOVED

Nylontrimmerhovedet er et benzindrevet buskrydderhoved med dobbeltfunktion, der både kan tilføre snor automatisk og ved hjælp af tryk.

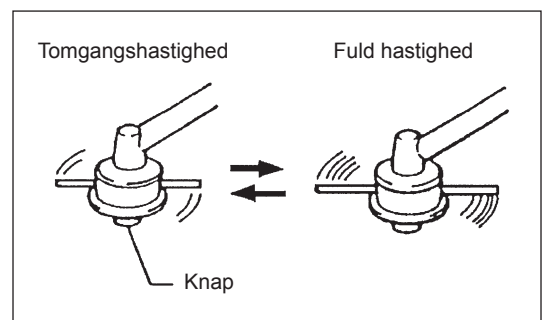
Nylontrimmerhovedet tilfører automatisk nylonsnoren i den passende længde i henhold til ændringerne i den centrifugale kraft forårsaget af forøgelsen eller nedsættningen af omdrejningstallet. Dog skal du for bedre at kunne klippe blødt græs, støde nylontrimmerhovedet ned mod jorden for at tilføre ekstra snor som anført i betjeningsafsnittet.

Betjening

- Forøg nylontrimmerhovedets hastighed til cirka 6.000 min⁻¹. Lav hastighed (under 4.800 min⁻¹) er ikke anvendelig, da nylonsnoren ikke kommer ordentligt ud ved lav hastighed.
- Det mest effektive skæreområde er vist med det skraverede område.

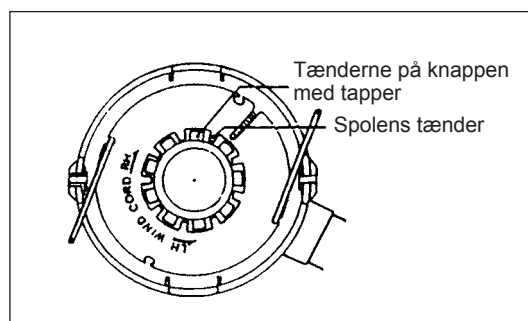
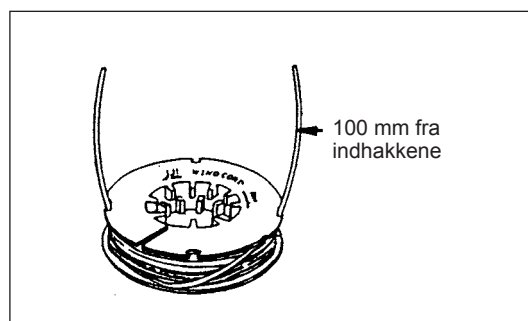
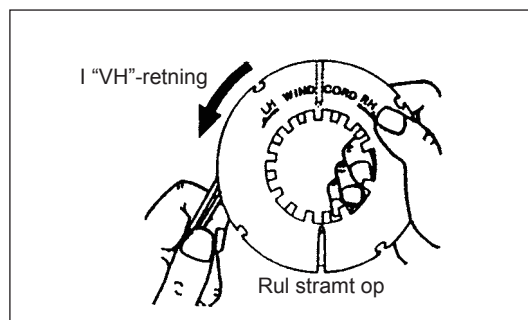
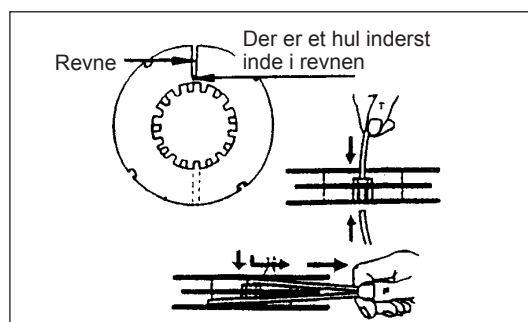
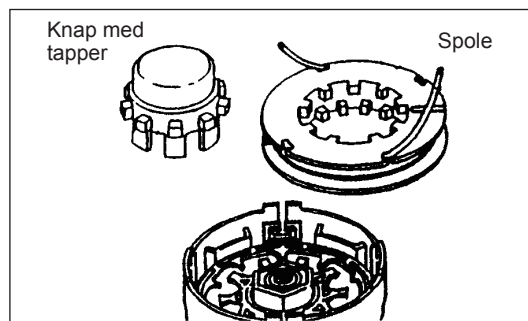
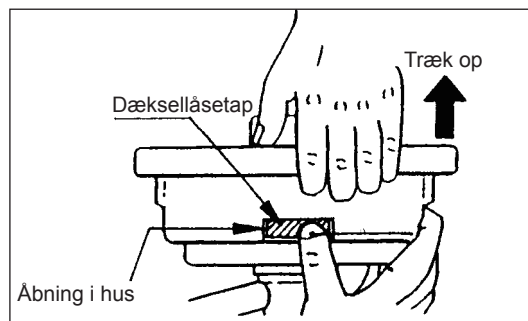
Hvis nylonsnoren ikke kommer automatisk ud, skal du gøre som følger:

1. Slip gashåndtaget sådan at motoren går i tomgang, og tryk derefter helt ind på gashåndtaget. Gentag denne procedure indtil nylonsnoren kommer ud i den rigtige længde.
2. Hvis nylonsnoren er for kort til at komme længere ud automatisk ved hjælp af proceduren ovenfor, skal du støde nylontrimmerhovedet ned mod jorden for at få nylonsnoren ud.
3. Hvis nylonsnoren ikke kommer ud ved hjælp af procedure 2, skal du oprulle/udskefte nylonsnoren ved hjælp af de følgende procedurer, som er beskrevet under "Udskiftning af nylonsnor".

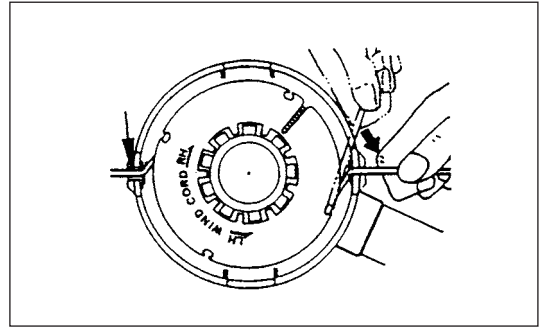


Udskiftning af nylonsnor

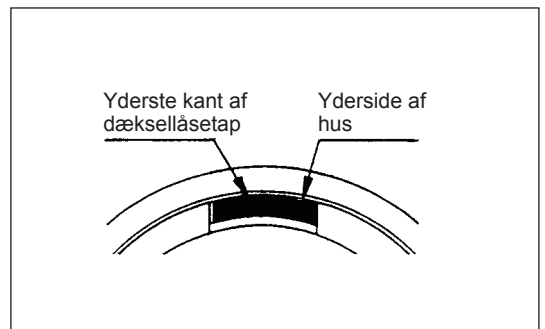
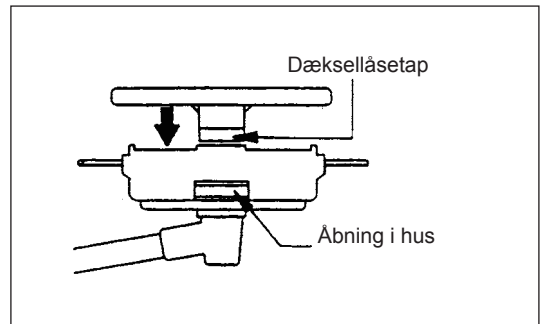
1. Tag dækslet af huset, mens du trykker på de to dæksellåsetapper, der er placeret på hver sin side af huset.
2. Fjern knappen med tapperne og spolen fra huset.
3. Sæt hver af de to skæresnore ind i hvert hul i den inderste åbning i en af spolens yderflanger. Sæt snorene ind i spolerillerne gennem hver revne i flangerne.
4. Rul snorene ordentligt op i den retning, som er vist med venstrehåndspilen (VH) på flangen. Undgå at krydse snorene.
5. Rul snorene helt op på nær cirka 100 mm (3-15/16"), og lad midlertidigt enderne være hængt gennem indhakkene på siden af spolen.
6. Sæt knappen med tapperne tilbage på husnavet, placeret sådan at den frit kan bevæge sig op og ned afhængigt af fjedertrykket. Placer spolen i huset, med tænderne på spolen og knappen med tapperne rettet skiftevist ind som gear.



7. Stik skæresnorene gennem åbningen på øjerne.



8. Placer dækslet oven på huset og juster tapperne på dækslet ind med åbningerne i huset. Sørg for at dækslet er korrekt fastgjort til huset. Den yderste kant af dækslets låsetap og ydersiden på huset skal være på samme periferi.



VEDLIGEHOEDELSESINSTRUKTIONER

FORSIGTIG: Inden du udfører noget arbejde på den benzindrevne buskrydder, skal du altid stoppe motoren og fjerne tændrørshætten fra tændrøret (se "kontrol af tændrøret").
Bær altid beskyttelseshandsker!

Udfør følgende vedligeholdelse med jævne intervaller for at sikre en lang brugslevetid og for at undgå skader på maskinen.

Dagligt eftersyn og vedligeholdelse

- Kontroller inden brug maskinen for løse skruer eller manglende dele. Vær især opmærksom på tilspændingen af klingens eller nylontrimmerhovedet.
- Inden anvendelse, kontroller altid for tilstopning af luftafkølingskanalen og cylinderribberne. Rengør dem om nødvendigt.
- Udfør dagligt følgende vedligeholdelse efter brug:
 - Rengør den benzindrevne buskrydder udvendigt og se efter for skader.
 - Rens luftfilteret. Rens filteret flere gange om dagen, når du arbejder i ekstremt støvede omgivelser.
 - Kontroller klingens og nylontrimmerhovedet for skader og sørg for, at den/det er ordentligt monteret.
 - Kontroller, om der er tilstrækkelig forskel mellem tomgang- og arbejdshastigheder for at sikre, at skæreværktøjet ikke bevæger sig, når motoren er i tomgang (hvis det er nødvendigt, skal du reducere tomgangshastigheden). Hvis værktøjet stadig kører under tomgang, skal du konsultere den nærmeste godkendte serviceagent.
- Kontroller funktionen af I-O kontakten, lås-fra-mekanismen, gashåndtaget og låseknappen.

UDSKIFTNING AF MOTOROLIE

Gammelt motorolie forkorter drastisk levetiden for glidende og roterende dele. Sørg for at kontrollere udskiftningstid og kvantitet.



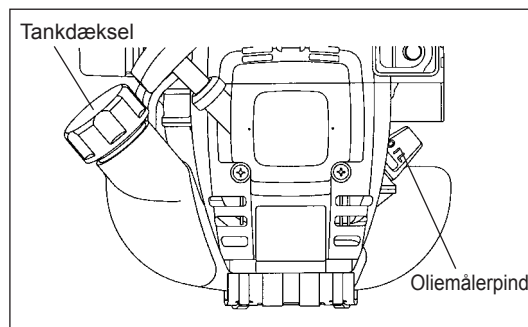
BEMÆRK: Generelt er motoren og motorolien stadig meget varme lige efter, at motoren er stoppet. Ved udskiftning af olien skal du sørge for, at motoren og motorolien er tilstrækkeligt afkølede. Eller er der risiko for forbrænding.

Bemærk: Hvis der påfyldes olie over grænsen, kan olien blive beskidt og eventuelt antændes med afgivelse af hvid røg til følge.

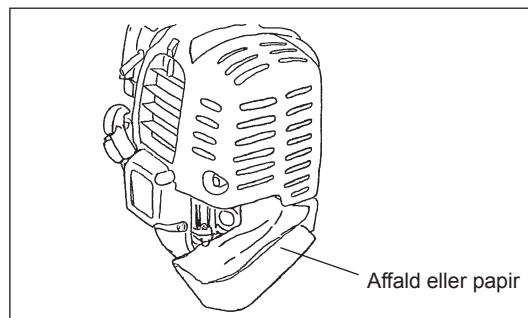
Interval for udskiftning: I starten efter hver 20 driftstimer, og efterfølgende efter hver 50 driftstimer
Anbefalet olie: SAE 10W-30 olie under API-klassifikation, klasse SF eller højere (4-takts bilmotor)

For udskiftning, udfør følgende procedure.

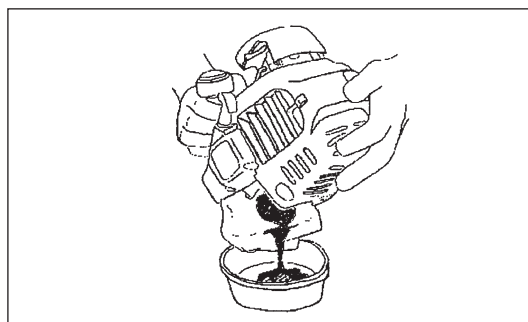
- 1) Bekræft, at tankdækslet er strammet ordentligt til.
- 2) Fjern oliemålerpinden.
Hold oliemålerpinden fri for støv og snavs.



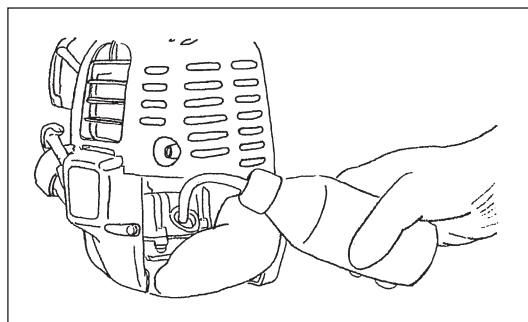
- 3) Placer noget der skal smides ud eller papir i nærheden af oliepåfyldningsåbningen.



- 4) Fjern oliemålerpinden og tøm olien ud med maskinen tippet over mod oliepåfyldningsåbningen.
Tøm olien ud i en beholder, så den kan bortskaffes korrekt.



- 5) Hold motoren vandret og fyld ny olie op til kanten af oliepåfyldningsåbningen.
Brug smøremiddelbeholderen ved genopfyldning.
- 6) Stram oliemålerpinden ordentligt til efter genopfyldning. Utilstrækkelig stramning af oliemålerpinden medfører olielækage.



PUNKTER VEDRØRENDE OLIE

- Smid aldrig udskiftet motorolie ud sammen med almindeligt skrald, på jorden eller i kloakken. Bortskaffelse af olie er reguleret via loven. De relevante love og bestemmelser skal altid følges ved bortskaffelse af olie. Kontakt en godkendt serviceagent ved tvivlspørgsmål.
- Olien nedbrydes, selvom den ikke bruges. Udfør eftersyn og udskiftning med jævne intervaller (udskift med ny olie hver 6. måned).

RENGØRING AF LUFTFILTER



FARE: BRÆNDBARE STOFFER ER STRENGT FORBUDT

Interval for rengøring og eftersyn: Dagligt (hver 10. driftstime)

- Drej chokerhåndtaget helt over til den lukkede side og hold karburatoren fri fra støv og snavs.
- Fjern boltene der fastgør luftfilterdækslet.
- Træk i den nederste side af luftfilterdækslet og tag det af.
- Hvis der sidder olie fast på elementet (svampen), skal den vrides grundigt.
- Når det er meget beskidt:
 - 1) Tag elementet (svampen) af, dyp den ned i varmt vand eller et neutralt rengøringsmiddel fortyndet med vand, og tør den fuldstændigt.
 - 2) Rengør elementet (filt) med benzin og tør det fuldstændigt.
- Sørg for at elementet er helt tørt, inden du sætter det på igen. Utilstrækkelig tørring af elementet kan gøre det svært at starte.
- Tør derefter olie, der sidder omkring luftfilterdækslet og udluftningsventilen af med en klud.
- Monter straks luftfilterdækslet og spænd boltene til, når rengøringen er afsluttet. (Ved genmonteringen placeres den øvre tap først og derefter den nedre tap.)

Punkter vedrørende håndtering af luftfilterelementet

- Rengør elementet flere gange om dagen, hvis der sætter sig meget støv i filteret.
- Hvis maskinen fortsat anvendes, uden at elementet rengøres for olie, kan olien i luftfilteret muligvis falde ud og resultere i olieforurening.

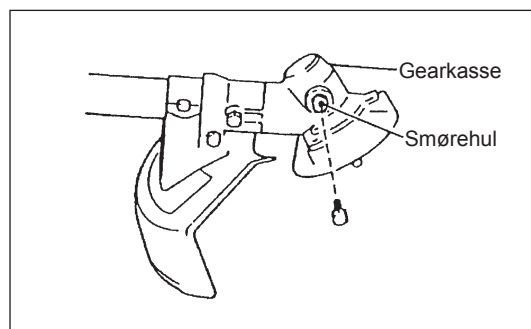
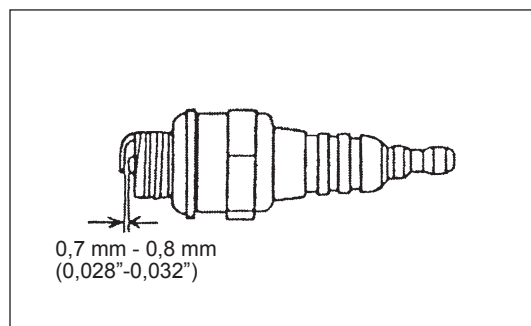
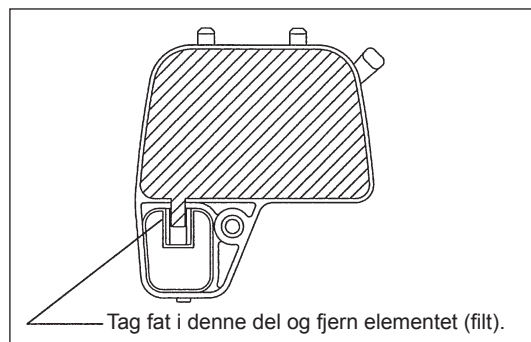
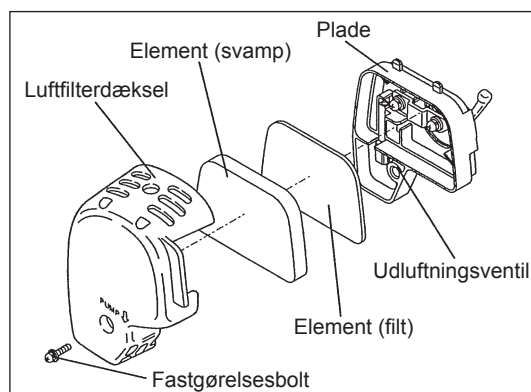
KONTROL AF TÆNDRØRET

- Anvend kun den medfølgende skiftenøgle til at afmontere og montere tændrøret med.
- Afstanden mellem tændrørets to elektroder bør være på 0,7 - 0,8 mm (0,028"-0,032"). Hvis afstanden er for stor eller for lille, skal du justere den. Hvis tændrøret er sodet til eller beskidt, skal du rense det ordentligt og eller udskifte det.

FORSIGTIG: Rør aldrig ved tændrørshætten, mens motoren kører (der er risiko for elektrisk stød med høj spænding).

TILFØRING AF SMØREMIDDEL TIL GEARKASSEN

- Tilfør smøremiddel (Shell Alvania 2 eller tilsvarende) til gearkassen gennem smørehullet hver 30. time. (Ægte DOLMAR-smøremiddel kan anskaffes fra din DOLMAR-forhandler.)



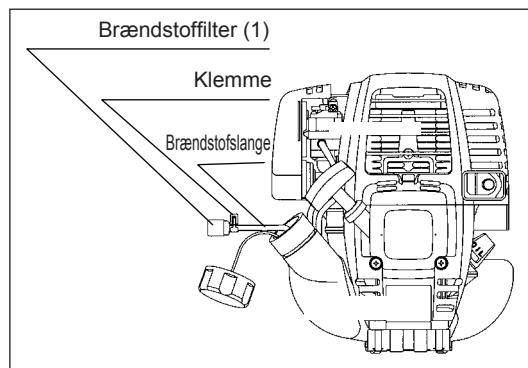
RENGØRING AF BRÆNDSTOFFILTER

ADVARSEL: BRÆNDBARE STOFFER ER STRENGT FORBUDT

Interval for rengøring og eftersyn: Hver måned (hver 50. driftstime)

Sugehoved i brændstoftanken

- Brændstoffilteret (1) i sugehovedet anvendes til at filtrere det brændstof, som karburatoren behøver.
- Der skal med mellemrum foretages visuelt eftersyn af brændstoffilteret. For at efterse filteret, skal du åbne tankdækslet og bruge en trådkrog til at trække sugehovedet ud gennem tankåbningen. Filtre, der er blevet hårde, forurenede eller tilstoppede, skal udskiftes.
- Utilstrækkelig brændstofførelse kan medføre, at den maksimalt tilladte hastighed overstiges. Det er derfor vigtigt, at udskifte brændstoffilteret mindst en gang i kvartalet for at sikre tilfredsstillende brændstofførelse til karburatoren.



UDSKIFTNING AF BRÆNDSTOFSLANGE

FORSIGTIG: BRÆNDBARE STOFFER ER STRENGT FORBUDT

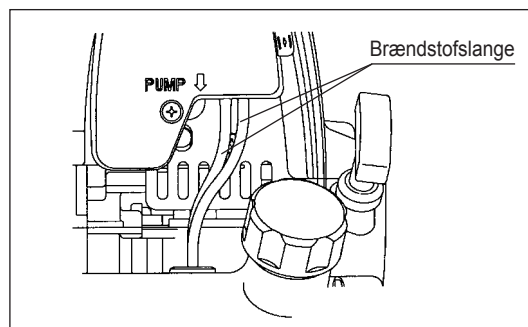
Interval for rengøring og eftersyn: Dagligt (hver 10. driftstime)

Udskiftning: Årligt (hver 200. driftstime)

Udskift brændstofslangen hvert år uanset antallet af driftstimer.

Brændstoflækage kan føre til brand.

Hvis der opdages utætheder under inspektion, skal brændstofslangen straks udskiftes.



EFTERSYN AF BOLTE, MØTRIKKER OG SKRUER

- Efterspænd løse bolte, møtrikker osv.
- Kontroller for brændstof- og olielækage.
- Udskift beskadigede dele med nye for sikker betjening.

RENGØRING AF DELE

- Hold altid motoren ren.
- Hold altid cylinderribberne fri for støv og snavs. Støv eller snavs der sidder fast på ribberne kan forårsage stempelstop.

UDSKIFTNING AF TÆTNINGER OG PAKNINGER

Når maskinen samles igen efter at have været adskilt, skal du sørge for at udskifte tætningerne og pakningerne med nye.

Alt vedligeholdelses- eller justeringsarbejde, der ikke er inkluderet og beskrevet i denne brugsanvisning, må kun udføres af autoriserede serviceagenter.

OPBEVARING

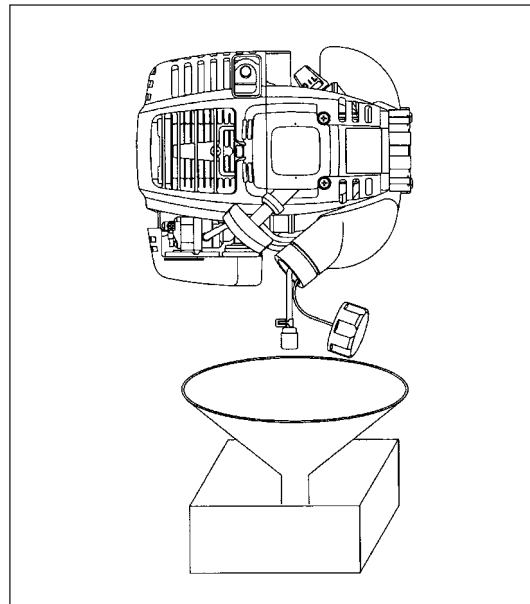


ADVARSEL: Når maskinen skal tømmes for brændstof, skal du sørge for at stoppe motoren og bekræfte, at motoren er kølet af.
Når motoren lige er stoppet, er den stadig varm, og der er risiko for forbrændinger, letantændelighed og brand.



BEMÆRK: Når maskinen ikke skal anvendes i længere tid, skal du tømme al brændstoffet ud af tanken og karburatoren, og opbevare den på et tørt og rent sted.

- Tøm brændstoftanken og karburatoren for brændstof i henhold til den følgende procedure:
 - 1) Tag tankdækslet af og tøm alt brændstoffet ud.
Hvis der er fremmedlegemer/snåv tilbage i brændstoftanken, skal det fjernes fuldstændigt.
 - 2) Træk brændstoffilteret ud gennem påfyldningsåbningen med en metaltråd.
 - 3) Tryk på tipperen indtil brændstoffet er tømt ud fra den, og udtøm derefter det brændstof der kom ind brændstoftanken.
 - 4) Placer filteret tilbage i brændstoftanken og stram tankdækslet ordentligt til.
 - 5) Lad derefter motoren køre indtil den stopper.
- Fjern tændrøret og dryp adskillige dråber motorolie ned gennem tændrørshullet.
- Træk forsigtigt i starterhåndtaget sådan at motorolien spredes ud i motoren, og sæt tændrøret på.
- Sæt afskærmningen på klingens.
- Under opbevaring skal stangen holdes vandret, eller maskinen kan stilles oprejst med klingskæret vendende opad. (I dette tilfælde skal du passe meget på, at maskinen ikke vælter.)
Opbevar aldrig maskinen med klingens kant vendende nedad. Der kan spildes olie ud.
- Opbevar det udtømte brændstof i særlig beholder på et sted i skygge med god ventilation.



Bemærk efter lang tids opbevaring

- Inden start efter lang tids opbevaring skal du sørge for at udskifte olien (se S 179). Olien nedbrydes, mens maskinen ikke anvendes.

Lokalisering af fejl

Fejl	System	Observation	Årsag
Motoren starter ikke, eller har svært ved det	Tænding	Tændgnist OK	Fejl i brændstoffilførslen eller kompressionssystemet, mekanisk fejl
		Ingen tændgnist	Betjening af STOP-kontakten, fejl i ledningsnettet eller kortslutning, tændrør eller tændrørshætte defekt, fejl i tændmodul
	Brændstoffilførsel	Brændstoftank fuld	Forkert chokerposition, karburator defekt, brændstofslange bøjet eller blokeret, brændstof beskidt
	Kompression	Ingen kompression ved træk	Cylinderbundpakning defekt, beskadigede krumtapakselpakninger, cylinder eller stempelringe beskadigede eller tændrørspakning ikke tæt
Problemer ved varmstart	Mekanisk fejl	Starter griber ikke fat	Starterfjederen er i stykker, dele inde i motoren er i stykker
		Fuld tank, med tændgnist	Snavset karburator, få den rensat
Motor starter, men dør	Brændstoffilførsel	Brændstof i tanken	Forkert tomgangsjustering, karburator snavset Tankudluftningsventil defekt, brændstofslangen afbrudt, kabel eller STOP-kontakt defekt
Manglende ydeevne	Der er muligvis flere systemer berørt samtidigt	Dårlig motortomgang	Luftfilter snavset, karburator snavset, lyddæmper tilstoppet, udstødningskanal i cylinderen tilstoppet

Del \ Driftstid		Inden brug	Efter smøring	Dagligt (10 t)	30 t	50 t	200 t	Sluk/pause	Se side
Motorolie	Efterse/rengør	○							174
	Udskift					○*1			180
Fastgørende dele (bolte, møtrikker)	Efterse	○							183
Brændstoftank	Rengør/efterse	○							—
	Tøm for brændstof							○*3	184
Gashåndtag	Kontroller funktion		○						—
Stop-kontakt	Kontroller funktion		○						177
Klinge	Efterse	○		○					172
Omdrejninger ved lav hastighed	Efterse/juster			○					178
Luftfilter	Rengør			○					182
Tændrør	Efterse			○					182
Luftafkølingskanal	Rengør/efterse			○					183
Brændstofslange	Efterse			○					183
	Udskift						◎*2		—
Gearkasseolie	Påfyld				○				182
Brændstoffilter	Rengør/udskift					○			183
Afstand mellem luftindtagsventilen og luftudledningsventilen	Juster						◎*2		—
Olieslange	Efterse						◎*2		
Motoreftersyn							◎*2		—
Karburator	Tøm for brændstof							○*3	184

*1 Foretag første udskiftning efter 20 timers brug.

*2 Ved 200 driftstimers eftersyn, henvend dig til en godkendt serviceagent eller en maskinforretning.

*3 Efter tømning af brændstoftanken, fortsæt med at lade motoren køre og tøm karburatoren for brændstof.

FEJLFINDING

Kontroller selv for fejl, inden du anmoder om reparation. Hvis du finder noget unormalt, skal du kontrollere maskinen i henhold til beskrivelsen i denne brugsanvisning. Undlad at pille ved eller afmontere dele i strid med beskrivelsen. Kontakt en godkendt serviceagent eller lokal forhandler.

Problem	Sandsynlig årsag (funktionsfejl)	Afhjælpning
Motoren starter ikke	Tipperen er ikke blevet anvendt	Tryk 7 til 10 gange
	Langsom træk hastighed ved træk i startersnoren	Træk hårdt til
	Mangel på brændstof	Påfyld brændstof
	Tilstoppet brændstoffilter	Rengør
	Knækket brændstofslange	Ret brændstofslangen ud
	Gammelt brændstof	Gammelt brændstof gør det svært at starte. Udskift med nyt. (Anbefalet udskiftning: 1 måned)
	For stort brændstofindtag	Sæt gashåndtaget fra medium hastighed til høj hastighed, og træk i starterhåndtaget, indtil motoren starter. Klingen begynder at rotere, så snart motoren starter. Vær meget opmærksom på klingen. Hvis motoren stadig ikke starter, fjern tændrørshætten, tør elektroden af, og saml dem igen. Start derefter som anvist.
	Aftaget tændrørshætte	Sæt den ordentligt på
	Snavset tændrør	Rengør
	Unormal tændrørsafstand	Juster afstanden
	Andre problemer med tændrør	Udskift
	Unormal karburator	Anmod om eftersyn og vedligeholdelse.
	Startersnor kan ikke trækkes ud	Anmod om eftersyn og vedligeholdelse.
	Unormalt drivsystem	Anmod om eftersyn og vedligeholdelse.
Motoren stopper hurtigt Motorhastigheden stiger ikke	Utilstrækkelig opvarmning	Foretag opvarmning
	Chokerhåndtaget er sat på "LUKKET"-positionen, selvom motoren er varmet op.	Sæt den til "ÅBEN"
	Tilstoppet brændstoffilter	Rengør
	Snavset og tilstoppet luftfilter	Rengør
	Unormal karburator	Anmod om eftersyn og vedligeholdelse.
	Unormalt drivsystem	Anmod om eftersyn og vedligeholdelse.
Klingen roterer ikke ↓ Stop straks motoren	Klingens tilspændingsmøtrik er løsnet	Stram ordentligt til
	Der er fanget kviste i klingen eller skærmen.	Fjern fremmedlegemer
	Unormalt drivsystem	Anmod om eftersyn og vedligeholdelse.
Maskinen vibrerer unormalt ↓ Stop straks motoren	Brækket, bøjet eller udslidt klinge	Udskift klingen
	Klingens tilspændingsmøtrik er løsnet	Stram ordentligt til
	Konveks del af klinge og klingebeslag flyttet.	Sæt den ordentligt på
	Unormalt drivsystem	Anmod om eftersyn og vedligeholdelse.
Klingen stopper ikke med det samme ↓ Stop straks motoren	Høj tomgangsrotation	Juster
	Afbrudt gashåndtagsledning	Sæt den ordentligt på
	Unormalt drivsystem	Anmod om eftersyn og vedligeholdelse.
Motoren stopper ikke ↓ Kør motoren i tomgang og sæt chokerhåndtaget til CLOSE	Løsrevet kontakt	Sæt den ordentligt på
	Unormalt el-system	Anmod om eftersyn og vedligeholdelse.

Når motoren ikke starter efter foretagelse af opvarmning:

Hvis der ikke er fundet noget unormalt blandt de kontrollerede punkter, skal du åbne gashåndtaget cirka 1/3 og starte motoren.

Σας ευχαριστούμε που αγοράσατε αυτό το Βενζινοκίνητο Θαμνοκοπτικό της DOLMAR. Βρισκόμαστε στην ευχάριστη θέση να σας συστήσουμε το Βενζινοκίνητο Θαμνοκοπτικό της DOLMAR, το οποίο είναι το αποτέλεσμα ενός μακρού προγράμματος ανάπτυξης και πολλών χρόνων γνώσεων και εμπειρίας. Παρακαλώ διαβάστε αυτό το φυλλάδιο το οποίο αναφέρεται λεπτομερώς στα διάφορα σημεία που θα επιδείξουν την εξαιρετική του απόδοση. Αυτό θα σας βοηθήσει να αποκτήσετε τα καλύτερα δυνατά αποτελέσματα από το Βενζινοκίνητο Θαμνοκοπτικό της DOLMAR.



Πίνακας περιεχομένων

Σελίδα

Συμβολα	187
Οδηγισ ασφαλειασ	188
Τεχνικα δεδομενα	192
Καθορισμος εξαρτηματων	193
Στερεωση του χερουλιου	194
Στερεωση του προφυλακτηρα	195
Στερεωση της λαμασ κοπησ ή της ναιλον κεφαλησ κοπησ	196
Πριν απο το ξεκινημα της λειτουργιασ.....	197
Σωστος χειρισμος του μηχανηματος	199
Σημειωσεις για το χειρισμο και πωσ να γινει το σταματημα	199
Ακονισμα του εργαλειου κοπησ	201
Οδηγισ σερβισ	203
Αποθηκευση	207

ΣΥΜΒΟΛΑ

Χρειάζεται να προσέξετε τα παρακάτω σύμβολα όταν διαβάζετε το εγχειρίδιο οδηγιών.

	Διαβάστε το εγχειρίδιο οδηγιών και ακολουθήστε τις προειδοποιήσεις και τα μέτρα ασφαλείας!		Φοράτε κράνος και προστατευτικά για τα μάτια και τα αφτιά!
	Δώστε ιδιαίτερη φροντίδα και προσοχή!		Ανώτερη επιτρεπτή ταχύτητα του εργαλείου
	Απαγορεύεται!		Καύσιμο (Βενζίνη)
	Διατηρήστε μια απόσταση!		Κινητήρας-χειροκίνητη εκκίνηση
	Κίνδυνος εκτίναξης αντικειμένων!		Στάση έκτακτης ανάγκης
	Απαγορεύεται το κάπνισμα!		Πρώτες βοήθειες
	Όχι γυμνές φλόγες!		Ανακύκλωση
	Πρέπει να φοριούνται προστατευτικά γάντια!		ΕΝΕΡΓΟΠΟΙΗΣΗ/ΕΚΚΙΝΗΣΗ
	Φοράτε ανθεκτικές μπότες με αντιολισθητικές σόλες. Συνιστανται μπότες ασφαλείας με ενίσχυση στα άκρα των δακτύλων!		ΑΠΕΝΕΡΓΟΠΟΙΗΣΗ/ΣΤΑΜΑΤΗΜΑ
	Οπισθολάκτισμα!		
	Κρατήστε μακριά από την περιοχή εργασίας όλα τα άτομα και τα ζώα!		

Γενικές οδηγίες

- Για την διασφάλιση της σωστής λειτουργίας, ο χρήστης πρέπει να διαβάσει αυτό το εγχειρίδιο οδηγιών για να εξοικειωθεί με τον χειρισμό αυτού του Βενζινοκίνητου Θαμνοκοπτικού της DOLMAR. Οι χρήστες οι οποίοι δεν διαθέτουν επαρκή ενημέρωση θα θέσουν σε κίνδυνο τους εαυτούς τους και τους άλλους λόγω του ακατάλληλου χειρισμού.
- Συνιστάται να δανείζετε το Βενζινοκίνητο Θαμνοκοπτικό της DOLMAR μόνο στα άτομα που έχουν αποδεδειγμένη εμπειρία στα Βενζινοκίνητα Θαμνοκοπτικά. Πάντοτε να παραδίδεται το εγχειρίδιο οδηγιών.
- Οι χρήστες που το χρησιμοποιούν για πρώτη φορά θα πρέπει να ρωτούν τον μεταπωλητή για τις βασικές οδηγίες για να εξοικειωθούν με το χειρισμό ενός μηχανοκίνητου κόφτη.
- Στα παιδιά και στα νεαρά άτομα κάτω των 18 ετών δεν θα πρέπει να τους επιτρέπεται η χρήση του Βενζινοκίνητου Θαμνοκοπτικού. Τα άτομα με ηλικία πάνω από 16 ετών θα μπορούσαν να χρησιμοποιήσουν την συσκευή για εκπαιδευτικούς σκοπούς, μόνο κάτω από την επίβλεψη ενός έμπειρου εκπαιδευτή.
- Χρησιμοποιείτε τα Βενζινοκίνητα Θαμνοκοπτικά με την μεγαλύτερη δυνατή φροντίδα και προσοχή.
- Να χειρίζεστε το Βενζινοκίνητο Θαμνοκοπτικό μόνο όταν βρίσκεστε σε καλή φυσική κατάσταση. Να διεξάγετε όλη την εργασία με ηρεμία και προσοχή. Ο χρήστης θεωρείται υπεύθυνος για τους άλλους.
- Ποτέ να μην χρησιμοποιήσετε το Βενζινοκίνητο Θαμνοκοπτικό μετά από την κατανάλωση αλκοόλ ή φαρμάκων, ή εάν αισθάνεστε κουρασμένοι ή ασθενείς.

Προοριζόμενη χρήση του μηχανήματος

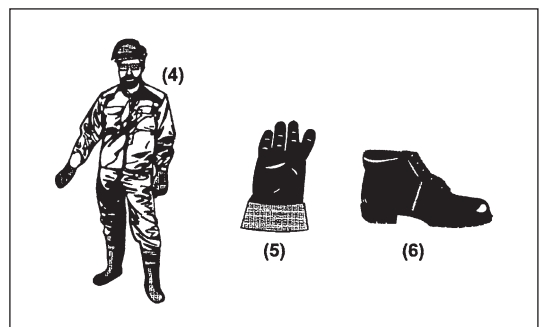
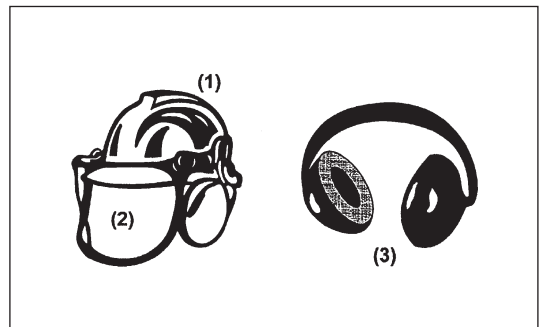
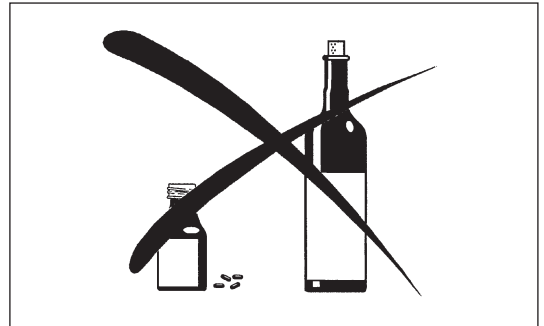
- Το Βενζινοκίνητο Θαμνοκοπτικό προορίζεται για την κοπή γρασιδιού, χόρτων, θάμνων, και άλλης παρόμοιας χαμηλής βλάστησης, και δεν θα πρέπει να χρησιμοποιείται για οποιαδήποτε άλλους σκοπούς όπως κοπή άκρων ή φρακτών επειδή μπορεί να προκαλέσει τραυματισμό.

Προσωπικός προστατευτικός εξοπλισμός

- Ο ρουχισμός που φοράτε θα πρέπει να είναι λειτουργικός και κατάλληλος, δηλαδή να είναι εφαρμοστός αλλά να μην σας παρεμποδίζει. Μην φοράτε κοσμήματα ή ρούχα τα οποία μπορούν να μπλεχτούν μέσα στους θάμνους ή στους βάλτους.
- Για την προστασία του τραυματισμού της κεφαλής, των ματιών, ή των ποδιών καθώς επίσης και την προστασία της ακοής κατά την λειτουργία, θα πρέπει να χρησιμοποιηθεί ο παρακάτω προστατευτικός εξοπλισμός και ο προστατευτικός ρουχισμός κατά την χρήση του Βενζινοκίνητου Θαμνοκοπτικού.
- Πάντοτε να φοράτε κράνος όπου υπάρχει ο κίνδυνος της πτώσης αντικειμένων. Το κράνος (1) θα πρέπει να ελέγχεται για την ύπαρξη ζημιών κατά τακτικά χρονικά διαστήματα και θα πρέπει να αντικατασταθεί τουλάχιστον μετά από 5 χρόνια. Χρησιμοποιείται μόνο συγκεκριμένα κράνη.
- Η προσωπίδα (2) του κράνου (ή εναλλακτικά προστατευτικά γυαλιά) προστατεύει το πρόσωπο από τα θραύσματα και τις πέτρες που ίπτανται. Κατά την χρήση του Βενζινοκίνητου Θαμνοκοπτικού, πάντοτε να φοράτε προστατευτικά γυαλιά ή προσωπίδα για την αποφυγή του τραυματισμού των ματιών.
- Φοράτε τον απαραίτητο εξοπλισμό προστασίας ενάντια στο θόρυβο για την αποφυγή πρόκλησης βλάβης στην ακοή (προστατευτικά επικαλύμματα αυτιών (3), ωτοασπίδες κτλ.).
- Η φόρμα εργασίας (4) προστατεύει από τις πέτρες και τα θραύσματα που ίπτανται. Σας συστήνουμε ανεπιφύλακτα την χρήση της φόρμας εργασίας από το χρήστη.
- Ειδικά γάντια (5) φτιαγμένα από παχύ δέρμα αποτελούν μέρος του συνιστώμενου εξοπλισμού και θα πρέπει πάντοτε να φοριούνται κατά την χρήση του Βενζινοκίνητου Θαμνοκοπτικού.
- Κατά την χρήση του Βενζινοκίνητου Θαμνοκοπτικού, πάντοτε να φοράτε ανθεκτικά παπούτσια (6) με αντιολισθητικές σόλες. Αυτά προστατεύουν έναντι των τραυματισμών και διασφαλίζουν το καλό πάτημα.

Εκκίνηση του Βενζινοκίνητου Θαμνοκοπτικού

- Φροντίστε να μην υπάρχουν παιδιά ή άλλα άτομα μέσα σε μια απόσταση εργασίας 15 μέτρων (50 πόδια), επίσης δώστε προσοχή στα οποιαδήποτε ζώα μέσα στην περιοχή εργασίας.
- Πριν από τη χρήση ελέγξτε ότι το Βενζινοκίνητο Θαμνοκοπτικό είναι ασφαλές για εργασία:
Ελέγξτε την ασφάλεια του εργαλείου κοπής, το μοχλό χειρισμού για την ευκολία δράσης και ελέγξτε την κατάλληλη λειτουργικότητα της ασφάλειας του μοχλού χειρισμού.
- Απαγορεύεται η περιστροφή του εργαλείου κοπής κατά το ρελαντί. Εάν έχετε αμφιβολία απευθυνθείτε στον μεταπωλητή σας για τη ρύθμιση. Ελέγξτε τα χερούλια ώστε να είναι καθαρά και ξηρά και δοκιμάστε την λειτουργία του διακόπτη εκκίνησης/σταματήματος.

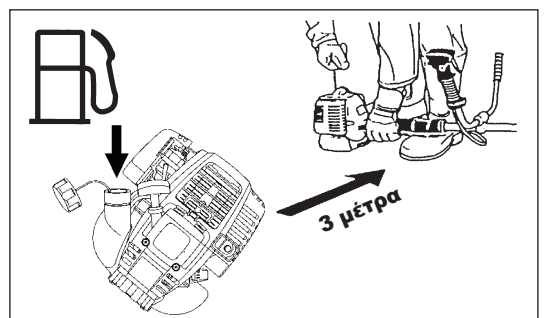
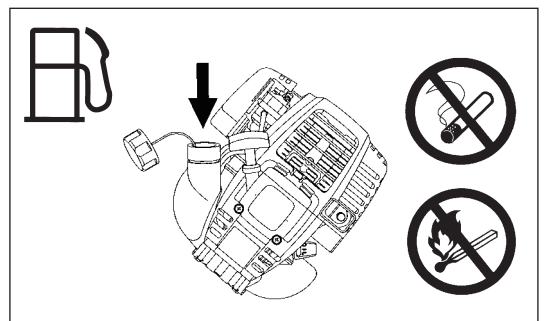
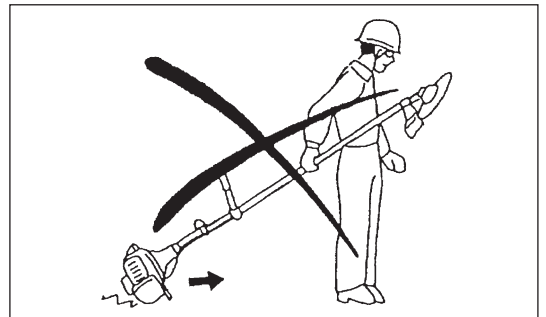
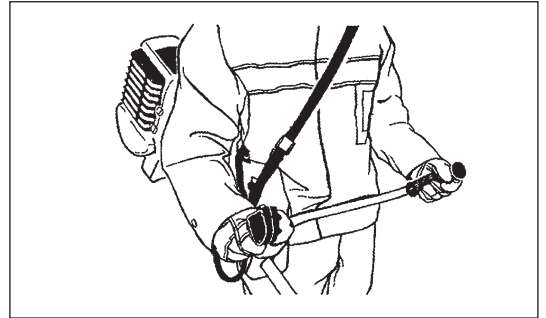
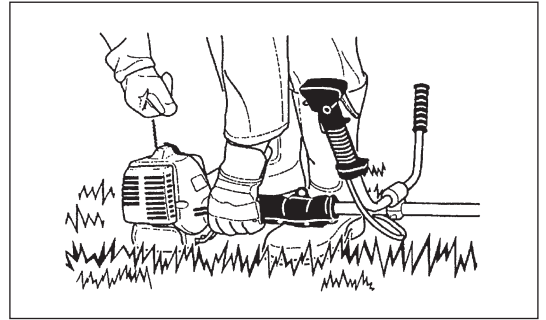


Ξεκινήστε το Βενζινοκίνητο Θαμνοκοπτικό σύμφωνα μόνο με τις οδηγίες

- Μην χρησιμοποιήσετε οποιαδήποτε άλλες μεθόδους για να ξεκινήσετε τον κινητήρα!
- Χρησιμοποιήστε το Βενζινοκίνητο Θαμνοκοπτικό και τα εργαλεία μόνο για τις καθορισμένες εφαρμογές.
- Ξεκινήστε τον κινητήρα του Βενζινοκίνητου Θαμνοκοπτικού μόνο αφότου η συσκευή έχει πλήρως συναρμολογηθεί. Η λειτουργία της συσκευής επιτρέπεται μόνο αφότου συνδεθούν όλα τα κατάλληλα εξαρτήματα!
- Πριν το ξεκίνημα, βεβαιωθείτε ότι το εργαλείο κοπής δεν βρίσκεται σε επαφή με σκληρά αντικείμενα όπως κλαδιά, πέτρες κτλ επειδή το εργαλείο κοπής θα περιστραφεί κατά την εκκίνηση.
- Ο κινητήρας σβήνει αμέσως στην περίπτωση που συμβούν μηχανικά προβλήματα.
- Εάν το εργαλείο κοπής χτυπήσει πέτρες ή άλλα σκληρά αντικείμενα, αμέσως κλείστε τον κινητήρα και επιθεωρήστε το εργαλείο κοπής.
- Επιθεωρείτε το εργαλείο κοπής για ζημιά ανά τακτά και σύντομα διαστήματα (διάγνωση λεπτών ρωγμών χρησιμοποιώντας το τεστ κρούσης).
- Να χειρίζεστε το Βενζινοκίνητο Θαμνοκοπτικό μόνο έχοντας συνδεδεμένο τον ιμάντα ώμου, ο οποίος θα πρέπει να προσαρμόζεται κατάλληλα πριν θέσετε σε λειτουργία το Βενζινοκίνητο Θαμνοκοπτικό. Είναι σημαντικό να προσαρμόζετε τον ιμάντα ώμου ανάλογα με το σωματικό μέγεθος του χρήστη για την αποφυγή της εμφάνισης της κούρασης κατά τη χρήση. Ποτέ να μην κρατάτε τον κόφτη με το ένα χέρι κατά την χρήση.
- Κατά την χρήση, πάντοτε να κρατάτε το Βενζινοκίνητο Θαμνοκοπτικό και με τα δυο σας χέρια.
Πάντοτε να έχετε ένα ασφαλές πάτημα.
- Να χειρίζεστε το Βενζινοκίνητο Θαμνοκοπτικό με τέτοιο τρόπο ώστε να αποφεύγετε την εισπνοή των καυσαερίων. Ποτέ να μην λειτουργήσετε τον κινητήρα σε κλειστά δωμάτια (υπάρχει κίνδυνος δηλητηρίασης από αέρια). Το μονοξείδιο του άνθρακα είναι ένα άοσμο αέριο.
- Σβήνετε τον κινητήρα όταν σταματάτε κατά την ανάπαυση και όταν παραμένει το Βενζινοκίνητο Θαμνοκοπτικό χωρίς επίβλεψη, και τοποθετήστε το σε ένα ασφαλές χώρο για την αποφυγή πρόκλησης κινδύνου σε άλλους ή ζημιάς στο μηχάνημα.
- Ποτέ να μην τοποθετείτε το Βενζινοκίνητο Θαμνοκοπτικό όταν είναι ζεστό πάνω σε ξερά χόρτα ή πάνω σε άλλα εύφλεκτα υλικά.
- Το εργαλείο κοπής θα πρέπει πάντοτε να είναι εφοδιασμένο με τον κατάλληλο προφυλακτήρα.
Ποτέ να μην λειτουργήσετε τον κόφτη χωρίς αυτόν τον προφυλακτήρα!
- Όλα τα προστατευτικά συγκροτήματα και προφυλακτήρες που παρέχονται με αυτή τη συσκευή πρέπει να χρησιμοποιούνται κατά την λειτουργία.
- Ποτέ να μην χειρίζεστε τον κινητήρα με ένα σιγαστήρα της εξάτμισης που έχει πάθει ζημιά.
- Κλείστε τον κινητήρα κατά την μεταφορά.
- Κατά την μεταφορά σε μεγάλες αποστάσεις θα πρέπει να χρησιμοποιούνται τα προστατευτικά του εργαλείου που συμπεριλαμβάνονται με τη συσκευή.
- Εξασφαλίστε την ασφαλή τοποθέτηση του Βενζινοκίνητου Θαμνοκοπτικού κατά την μεταφορά με αυτοκίνητο για την αποφυγή της διαρροής καυσίμου.
- Κατά την μεταφορά του Βενζινοκίνητου Θαμνοκοπτικού, διασφαλίστε ότι το ρεζερβουάρ καυσίμου είναι εντελώς άδειο.
- Κατά την εκφόρτωση του Βενζινοκίνητου Θαμνοκοπτικού από την καρότσα, ποτέ να μην ρίξετε κάτω τον κινητήρα στο έδαφος επειδή αν το κάνετε αυτό μπορεί να προκληθεί σοβαρή βλάβη στο ρεζερβουάρ καυσίμου.
- Εκτός από την περίπτωση έκτακτης ανάγκης, ποτέ να μην ρίξετε ή να πετάξετε το Βενζινοκίνητο Θαμνοκοπτικό στο έδαφος επειδή αν το κάνετε αυτό μπορεί να προκληθεί σοβαρή ζημιά στο Βενζινοκίνητο Θαμνοκοπτικό.
- Θυμηθείτε να σηκώνετε ολόκληρη την συσκευή από το έδαφος όταν την μετακινείτε. Το σύρσιμο του ρεζερβουάρ καυσίμου είναι πολύ επικίνδυνο και θα προκαλέσει ζημιά και διαρροή καυσίμου, προκαλώντας πιθανόν την πυρκαγιά.

Ανεφοδιασμός καυσίμου

- Κατά τον ανεφοδιασμό καυσίμου σβήστε τον κινητήρα, να είστε μακριά από τις γυμνές φλόγες και να μην καπνίζετε.
- Αποφύγετε την επαφή του δέρματος με προϊόντα μεταλλικών λαδιών. Μην εισπνέετε τον ατμό του καυσίμου. Πάντοτε να φοράτε προστατευτικά γάντια κατά τον ανεφοδιασμό καυσίμου. Αλλάζετε και καθαρίζετε τον προστατευτικό ρουχισμό σε τακτικά διαστήματα.
- Δώστε προσοχή ώστε να μην ρίξετε κάτω καύσιμο ή λάδια για την αποφυγή της ρύπανσης του εδάφους (προστασία του περιβάλλοντος). Καθαρίστε το Βενζινοκίνητο Θαμνοκοπτικό αμέσως μετά την διασπορά του καυσίμου.
- Αποφύγετε την οποιαδήποτε επαφή του καυσίμου με το ρουχισμό σας. Αλλάξτε το ρουχισμό σας αμέσως μετά την πτώση του καυσίμου επάνω του (για την αποφυγή της πρόκλησης φωτιάς στο ρουχισμό σας).
- Επιθεωρήστε την τάπα του καυσίμου ανά τακτά διαστήματα για να διασφαλίσετε ότι μπορεί να στερεωθεί σταθερά και ότι δεν παρουσιάζει διαρροή.
- Προσεκτικά σφίξτε την τάπα του ρεζερβουάρ καυσίμου. Αλλάξτε θέση για την εκκίνηση του κινητήρα (τουλάχιστον 3 μέτρα μακριά από τον χώρο του ανεφοδιασμού).
- Ποτέ να μην ανεφοδιάζετε σε κλειστά δωμάτια. Οι ατμοί του καυσίμου συσσωρεύονται στο επίπεδο του εδάφους (κίνδυνος εκρήξεων).
- Να μεταφέρετε και να αποθηκεύετε το καύσιμο μόνο σε εγκεκριμένα δοχεία. Φροντίστε ώστε το αποθηκευμένο καύσιμο να μην είναι προσβάσιμο στα παιδιά.



Μέθοδος λειτουργίας

- Χρησιμοποιήστε το Βενζινοκίνητο Θαμνοκοπτικό μόνο κάτω από καλό φωτισμό και ορατότητα. Κατά την διάρκεια της εποχής του χειμώνα δώστε προσοχή στις περιοχές που είναι υγρές και γλιστρούν, πάγος και χιόνι (κίνδυνος ολισθηρότητας). Πάντοτε να έχετε ένα ασφαλές πάτημα.
- Ποτέ μην κόβετε επάνω από το ύψος της μέσης σας.
- Ποτέ να μην είστε ανεβασμένος σε μια σκάλα καθώς χρησιμοποιείτε το Βενζινοκίνητο Θαμνοκοπτικό.
- Ποτέ να μην σκαρφαλώνετε πάνω σε δέντρα καθώς χρησιμοποιείτε το Βενζινοκίνητο Θαμνοκοπτικό.
- Ποτέ να μην εργάζεστε πάνω σε ασταθείς επιφάνειες.
- Αφαιρέστε την άμμο, τις πέτρες, τα καρφιά κτλ που βρίσκονται μέσα στο εύρος της περιοχής εργασίας.
Τα ξένα στοιχεία μπορεί να προκαλέσουν ζημιά στο εργαλείο κοπής και να δημιουργήσουν επικίνδυνα οπισθολακτίσματα.
- Πριν το ξεκίνημα της κοπής, το εργαλείο κοπής θα πρέπει να έχει αποκτήσει την πλήρη ταχύτητα λειτουργίας.

Οπισθολάκτισμα

- Κατά την λειτουργία του Βενζινοκίνητου Θαμνοκοπτικού, μπορούν να συμβούν ανεξέλεγκτα οπισθολακτίσματα.
- Αυτό μπορεί να συμβεί ιδιαίτερα κατά την προσπάθεια κοπής με το τμήμα της λάμας που βρίσκεται μεταξύ των 12 και 2 "ωρών".
- Ποτέ μην χρησιμοποιήσετε το Βενζινοκίνητο Θαμνοκοπτικό με το τμήμα της λάμας που βρίσκεται μεταξύ των 12 και 2 "ωρών".
- Ποτέ μην χρησιμοποιήσετε αυτό το τμήμα της λάμας του Βενζινοκίνητου Θαμνοκοπτικού πάνω σε στερεά, όπως θάμνοι και δέντρα κτλ. που έχουν διάμετρο μεγαλύτερη από 3 εκ. διαφορετικά το Βενζινοκίνητο Θαμνοκοπτικό θα εξοστρακιστεί με μεγάλη δύναμη προκαλώντας τον κίνδυνο τραυματισμών.

Αποτροπή οπισθολακτίσματος

Για την αποφυγή των οπισθολακτισμάτων, τηρήστε τα παρακάτω:

- Η χρήση με το τμήμα της λάμας μεταξύ των 12 και 2 "ωρών" προκαλεί κινδύνους, ιδιαίτερα με τη χρήση των μεταλλικών εργαλείων κοπής.
- Οι εργασίες κοπής με τη χρήση του τμήματος της λάμας των 11 έως 12 "ωρών" και των 2 έως 5 "ωρών", πρέπει να εκτελούνται από εκπαιδευμένους και έμπειρους χειριστές, και τότε μόνο με δική τους ευθύνη.
Είναι επικτό το κόψιμο με σχεδόν χωρίς οπισθολάκτισμα από το τμήμα της λάμας που βρίσκεται μεταξύ των 8 και 11 "ωρών".

Εργαλεία κοπής

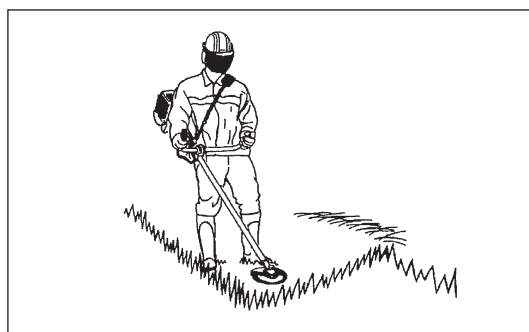
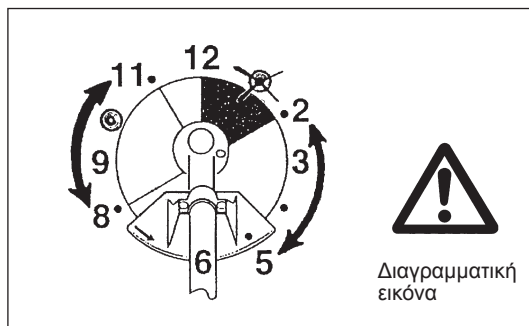
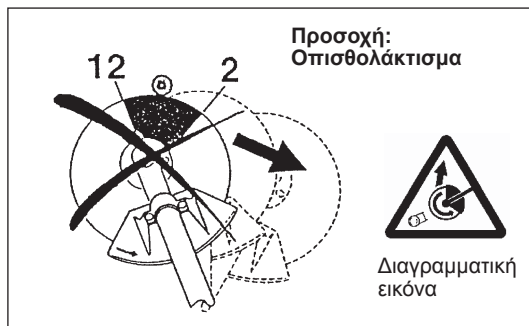
Χρησιμοποιήστε μόνο το σωστό εργαλείο κοπής για την εργασία που πρόκειται να κάνετε.

MS-335.4 U με λάμα κοπής, Νάιλον κεφαλή κοπής

Για την κοπή χοντρών υλικών όπως χόρτα, υψηλό γρασίδι, θάμνους, βάλτους, χαμόκλαδα, συστάδες κτλ (μέγ. 2 εκ. διάμετρος πάχους). Εκτελέστε αυτή την εργασία κοπής περιστρέφοντας ομαλά το Βενζινοκίνητο Θαμνοκοπτικό σε μισούς κύκλους από τα δεξιά στα αριστερά (με τρόπο παρόμοιο με τη χρήση του δρεπανιού).

Οδηγίες συντήρησης

- Η κατάσταση του κόφτη, ιδιαίτερα του εργαλείου κοπής των προστατευτικών συσκευών και επίσης του ιμάντα του ώμου θα πρέπει να ελέγχεται πριν από την έναρξη της εργασίας. Ιδιαίτερη προσοχή πρέπει επίσης να δίνεται στις λάμες κοπής, οι οποίες πρέπει να είναι σωστά ακονισμένες.
- Κλείστε τον κινητήρα και αφαιρέστε το σύνδεσμο του μπουζιού κατά την αντικατάσταση ή το ακόνισμα των εργαλείων κοπής, και επίσης κατά τον καθαρισμό του κόφτη ή του εργαλείου κοπής.



Ποτέ να μην ισιώνετε ή να συγκολλάτε κατεστραμμένα εργαλεία κοπής.

- Να λειτουργείτε το Βενζινοκίνητο Θαμνοκοπτικό με όσο το δυνατό λιγότερο θόρυβο και ρύπανση. Ιδιαίτερα ελέγξτε τις σωστές ρυθμίσεις του καρμπιρατέρ.
- Καθαρίστε το Βενζινοκίνητο Θαμνοκοπτικό ανά τακτά διαστήματα και ελέγξτε ότι όλες οι βίδες και τα παξιμάδια είναι καλά σφιγμένα.
- Ποτέ να μην κάνετε τη συντήρηση ή την αποθήκευση του Βενζινοκίνητου Θαμνοκοπτικού κοντά σε γυμνές φλόγες.
- Πάντοτε να αποθηκεύετε το Βενζινοκίνητο Θαμνοκοπτικό σε κλειδωμένα δωμάτια με άδειο το ρεζερβουάρ καυσίμου.



Τηρήστε τις σχετικές οδηγίες αποτροπής ατυχήματος που εκδίδεται από τις σχετικές εμπορικές ενώσεις και από τις ασφαλιστικές εταιρίες. Ποτέ να μην εκτελέσετε οποιοδήποτε τροποποιήσεις στο Βενζινοκίνητο Θαμνοκοπτικό, επειδή εάν το κάνετε αυτό θέτετε σε κίνδυνο την ασφάλειά σας.

Η εκτέλεση των εργασιών συντήρησης και επισκευής από το χρήστη περιορίζονται τις δραστηριότητες που περιγράφονται στο εγχειρίδιο οδηγιών. Όλες οι άλλες εργασίες πρέπει να γίνονται από ένα Εξουσιοδοτημένο Αντιπρόσωπο του Σέρβις. Χρησιμοποιήστε μόνο τα αυθεντικά ανταλλακτικά και αξεσουάρ που διατίθενται και παρέχονται από τη DOLMAR.

Η χρήση μη εγκεκριμένων εξαρτημάτων και εργαλείων σημαίνει τον αυξημένο κίνδυνο ατυχημάτων.

Η DOLMAR δεν θα δεχθεί την οποιαδήποτε ευθύνη για ατυχήματα ή φθορά που προκλήθηκε από τη χρήση μη εγκεκριμένων εργαλείων κοπής και συσκευιών στερέωσης των εργαλείων κοπής ή αξεσουάρ.

Πρώτες βοήθειες

Για την περίπτωση ατυχήματος, φροντίστε να υπάρχει διαθέσιμο ένα κουτί πρώτων βοηθειών στην περιοχή όπου εκτελούνται οι εργασίες κοπής. Αντικαταστήστε αμέσως το οποιοδήποτε αντικείμενο που πάρθηκε από το κουτί των πρώτων βοηθειών.

Όταν ζητάτε βοήθεια, παρακαλώ παράσχετε τις ακόλουθες πληροφορίες:

- Τόπος του ατυχήματος
- Τι συνέβη
- Αριθμός τραυματισμένων ατόμων
- Είδος των τραυμάτων
- Το όνομά σας



Συσκευασία

Το Βενζινοκίνητο Θαμνοκοπτικό της DOLMAR παραδίδεται μέσα σε δυο προστατευτικές χαρτόκουτες για την αποφυγή πρόκλησης φθοράς κατά την μεταφορά. Η χαρτόκουτα είναι μια βασική πρώτη ύλη και επομένως μπορεί να επαναχρησιμοποιηθεί ή να ανακυκλωθεί (ανακύκλωση άχρηστου χαρτιού).



EC - ΔΗΛΩΣΗ ΠΙΣΤΟΤΗΤΑΣ

Μοντέλο: MS-335.4 U

Δηλώνουμε με αποκλειστική ευθύνη μας ότι το προϊόν αυτό συμμορφώνεται με τις ακόλουθες Οδηγίες, 2004/108/EK, 2000/14/EK, 98/37/EK έως στις 28 Δεκεμβρίου 2009 και στη συνέχεια με την 2006/42/EK από τις 29 Δεκεμβρίου 2009.

Τα πλέον σημαντικά πρότυπα που εφαρμόστηκαν για τον κατάλληλο εναρμονισμό με τις απαιτήσεις των παραπάνω Οδηγιών ήταν: EN11806, EN55012.

Μετρημένη Ισχύς Ήχου: 109,7 dB (A)

Εγγυημένη Ισχύς Ήχου: 112 dB (A)

Αυτά τα επίπεδα ήχου έχουν μετρηθεί σύμφωνα με την Οδηγία της Επιτροπής, 2000/14/EK.

Διαδικασία αξιολόγησης συμμόρφωσης: Παράρτημα V

19. ΔΕΚ. 2008

Tamiro Kishima
Διευθυντής

Rainer Bergfeld
Διευθυντής

Υπεύθυνος κατασκευαστής:

Makita Corporation

3-11-8, Sumiyoshi-cho, Anjo, Aichi, JAPAN

Ευσιδημένως Αντιπρωσωπς στην Ευρώπη:

DOLMAR GmbH

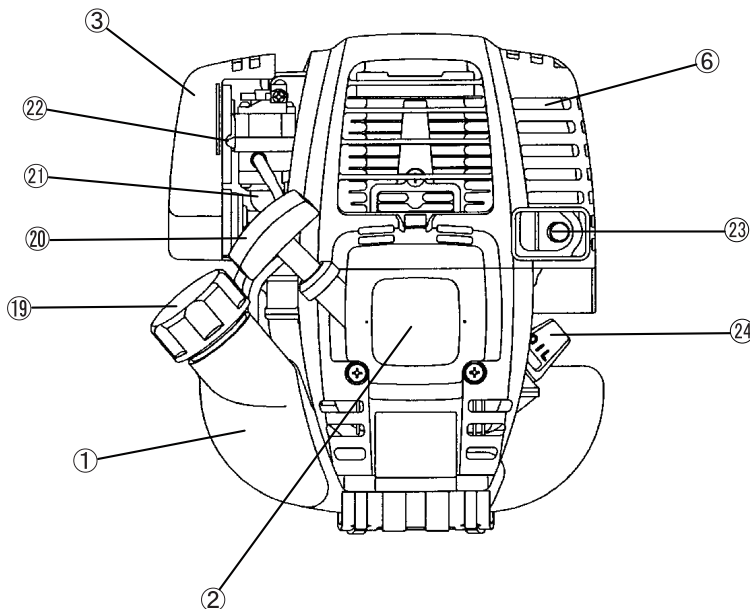
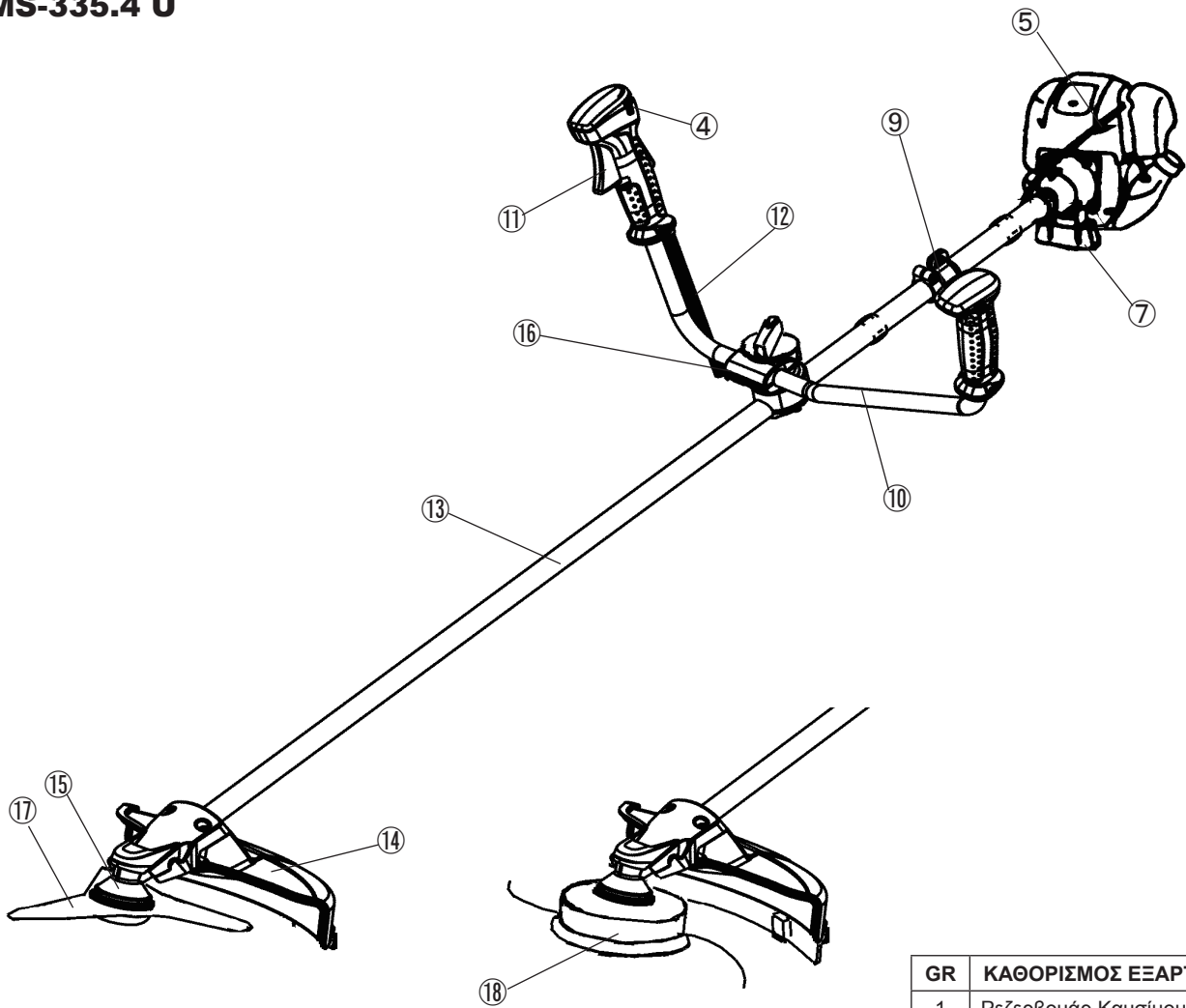
Jenfelder Str. 38, 22045 Hamburg, Germany

ΤΕΧΝΙΚΑ ΔΕΔΟΜΕΝΑ MS-335.4 U

Μοντέλο		MS-335.4 U		
		Χερούλι ποδηλάτου		
Διαστάσεις: μήκος x πλάτος x ύψος (χωρίς τη λάμα κοπής)	χιλ	1.810 x 620 x 500		
Βάρος (χωρίς το πλαστικό προφυλακτήρα και τη λάμα κοπής)	κιλά	7,1		
Όγκος (ρεζερβουάρ καυσίμου)	λίτρα	0,65		
Όγκος (ρεζερβουάρ λαδιού)	λίτρα	0,1		
Εκτόπισμα κινητήρα	εκ. ³	33,5		
Μέγιστη απόδοση κινητήρα ISO8893	kw	1,07 στα 7.000 λεπ. ⁻¹		
Μέγιστη περιστροφική συχνότητα του άξονα	λεπ. ⁻¹	6.850		
Ταχύτητα κινητήρα στη συνιστώμενη μέγιστη περιστροφική συχνότητα του άξονα	λεπ. ⁻¹	10.000		
Κατανάλωση καυσίμου κατά τη μέγιστη απόδοση του κινητήρα ISO8893	Κιλά/ώρα	0,458		
Ειδική κατανάλωση καυσίμου κατά τη μέγιστη απόδοση του κινητήρα	g/kwh	426		
Ταχύτητα κινητήρα στο ρελαντί	λεπ. ⁻¹	3.000		
Ταχύτητα εμπλοκής συμπλέκτη	λεπ. ⁻¹	4.100		
Καρμπιρατέρ (Διάφραγμα - καρμπιρατέρ)	τύπος	WALBRO WYL		
Σύστημα ανάφλεξης	τύπος	Ανάφλεξη στερεάς κατάστασης		
Μπουζί	τύπος	NGK CMR4A		
Απόσταση των άκρων των ηλεκτροδίων	χιλ	0,7 - 0,8		
Δόνηση σύμφωνα με το ISO 22867 ¹⁾	Δεξιό χερούλι (Πίσω λαβή)	Ρελαντί	m/s ²	1,34
		Μαρσάρισμα ή πλήρως ανοικτό το γκάζι	m/s ²	4,39
	Αριστερό χερούλι (Μπροστινή λαβή)	Ρελαντί	m/s ²	1,28
		Μαρσάρισμα ή πλήρως ανοικτό το γκάζι	m/s ²	3,26
Στάθμη ηχητικής πίεσης αντιπροσωπευτική του ISO 22868 ¹⁾	dBA	98,2		
Στάθμη ηχητικής πίεσης αντιπροσωπευτική του ISO 22868 ¹⁾	dBA	106,7		
Καύσιμο		Βενζίνη αυτοκινήτου		
Λάδι κινητήρα		Λάδι SAE 10W-30 της Κατηγορίας API, Κλάση SF ή υψηλότερη (4-χρονος κινητήρας για αυτοκίνητα)		
Εργαλεία κοπής (διάμετρος λάμας κοπής)	χιλ	305 (με τρεις λάμες)		
Σχέση μετάδοσης		13/19		

1) Τα δεδομένα έχουν δημιουργηθεί λαμβάνοντας ισοδύναμα υπόψη τις θέσεις λειτουργίας του ρελαντί και της υπερεπιτάχυνσης ή της ταχύτητας με πλήρες άνοιγμα του γκαζιού.

MS-335.4 U



GR	ΚΑΘΟΡΙΣΜΟΣ ΕΞΑΡΤΗΜΑΤΩΝ
1	Ρεζερβουάρ Καυσίμου
2	Εκκινήτηρας Ανατύλιξης
3	Φίλτρο Αέρα
4	Ι-Ο Διακόπτης (ανοικτός/κλειστός)
5	Μπουζί
6	Σιγαστήρας Εξάτμισης
7	Θήκη Συμπλέκτη
9	Αναρτήρας
10	Χερούλι
11	Μοχλός Γκαζιού
12	Καλώδιο Χειρισμού
13	Άξονας
14	Προφυλακτήρας
15	Κιβώτιο Ταχυτήτων/Κιβώτιο Κεφαλής
16	Στήριγμα Χερουλιού
17	Λάμα Κοπής
18	Νάιλον Κεφαλή Κοπής
19	Τάπα Πληρωτή Καυσίμου
20	Κουτί Μίζας
21	Αντλία Προέγχυσης
22	Μοχλός Τσοκ
23	Σωλήνας Εξάτμισης
24	Δείκτης Λαδιού

ΣΤΕΡΕΩΣΗ ΤΟΥ ΧΕΡΟΥΛΙΟΥ

ΠΡΟΣΟΧΗ: Πριν κάνετε την οποιαδήποτε εργασία πάνω στο Βενζινοκίνητο Θαμνοκοπτικό, πάντοτε να σταματάτε τον κινητήρα και να αποσυνδέετε το σύνδεσμο του μπουζιού από το μπουζί.
Πάντοτε να φοράτε προστατευτικά γάντια!

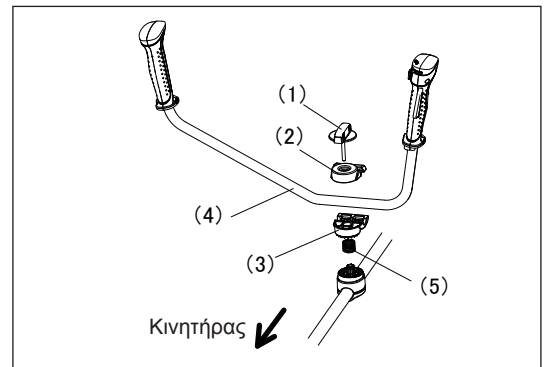
ΠΡΟΣΟΧΗ: Να ξεκινάτε το Βενζινοκίνητο Θαμνοκοπτικό μόνο αφότου το έχετε συναρμολογήσει εντελώς.



Για τα μηχανήματα με μοντέλα χερουλιών ποδηλάτων

- Ξεσφίξετε το κουμπί (1).
- Τοποθετήστε το χερούλι (4) μεταξύ του σφικτήρα του χερουλιού (2) και του στηρίγματος του χερουλιού (3).
- Προσαρμόστε το χερούλι (4) κατά μια γωνία που παρέχει μια βολική θέση εργασίας και στη συνέχεια στερεώστε το καλά σφίγγοντας με το χέρι το κουμπί (1).

ΠΡΟΣΟΧΗ: Μην ξεχάσετε να στερεώσετε το ελατήριο (5).



ΣΤΕΡΕΩΣΗ ΤΟΥ ΠΡΟΦΥΛΑΚΤΗΡΑ

Για τη συμμόρφωση με τις διατάξεις ασφαλείας, πρέπει να χρησιμοποιηθούν μόνο οι συνδυασμοί εργαλείου/προφυλακτήρα που δείχνονται στον πίνακα.

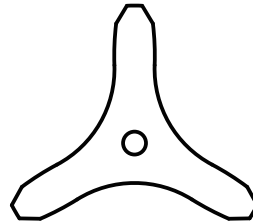


Φροντίστε να χρησιμοποιείτε αυθεντικές λάμες κοπής ή νάιλον κεφαλή κοπής της DOLMAR.

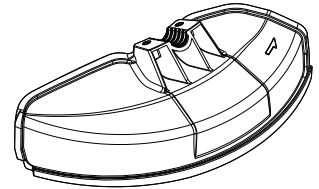
- Η λάμα κοπής πρέπει πάντοτε να είναι γυαλισμένη, και χωρίς ρωγμές ή σπασίματα. Εάν η λάμα κοπής χτυπήσει μια πέτρα κατά τη λειτουργία, σταματήστε τον κινητήρα και ελέγξτε αμέσως την λάμα.
- Γυαλίστε ή αντικαταστήστε την λάμα κοπής κάθε τρεις ώρες λειτουργίας.
- Εάν η νάιλον κεφαλή κοπής χτυπήσει μια πέτρα κατά τη λειτουργία, σταματήστε τον κινητήρα και ελέγξτε αμέσως την κεφαλή κοπής.

ΠΡΟΣΟΧΗ: Οι κατάλληλοι προφυλακτήρες πρέπει πάντοτε να εγκαθίστανται για την δική σας ασφάλεια και για την συμμόρφωση με τους κανονισμούς πρόληψης ατυχήματος. Δεν επιτρέπεται η χρήση της συσκευής χωρίς την τοποθέτηση του προφυλακτήρα. Η εξωτερική διάμετρος της λάμας κοπής πρέπει να είναι 255 χιλ. (10"). Οι λάμες κοπής με εξωτερική διάμετρο 305 χιλ. ή 12 ίντσες μπορούν να χρησιμοποιηθούν μόνο με τις συσκευές με τρεις λάμες.

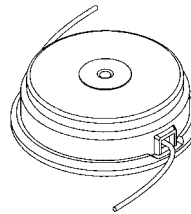
Μεταλλική λάμα



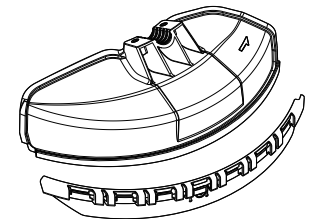
Προφυλακτήρας για μεταλλικές λάμες



Νάιλον κεφαλή κοπής

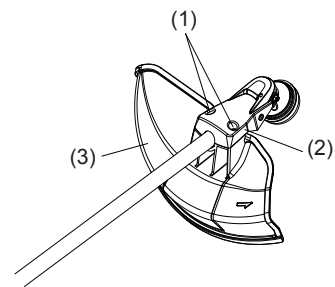


Προφυλακτήρας για νάιλον κεφαλή κοπής



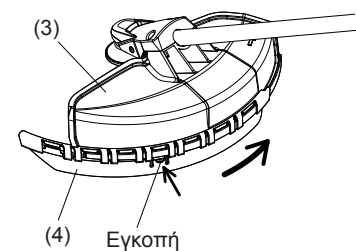
- Κατά τη χρήση της μεταλλική λαβής, στερεώστε τον προφυλακτήρα (3) στο σφικτήρα (2) με δυο μπουλόνια M6 x 30 (1).

ΣΗΜΕΙΩΣΗ: Σφίξτε τα μπουλόνια δεξιά και αριστερά ομοίμορφα έτσι ώστε το διάκενο μεταξύ του σφικτήρα (2) και του προφυλακτήρα (3) να είναι σταθερό. Διαφορετικά, ο προφυλακτήρας μερικές φορές μπορεί να μην λειτουργήσει με τον καθορισμένο τρόπο.



- Στις περιπτώσεις που πρόκειται να χρησιμοποιηθεί ο κόφτης του νάιλον νήματος, φροντίστε να στερεώσετε τον προφυλακτήρα του κόφτη του νάιλον νήματος (4) πάνω στον προφυλακτήρα της μεταλλικής λάμας (3).
- Στερεώστε τον προφυλακτήρα του κόφτη του νάιλον νήματος (4) κρατώντας κάτω την κεντρική του εγκοπή καθώς τον σπρώχνετε στη θέση του από την πλευρά του προφυλακτήρα της μεταλλικής λάμας (3).
- Αφαιρέστε την ταινία που είναι κολλημένη στον κόφτη, η οποία κόβει το νάιλον νήμα, στον προφυλακτήρα του κόφτη του νάιλον νήματος (4).

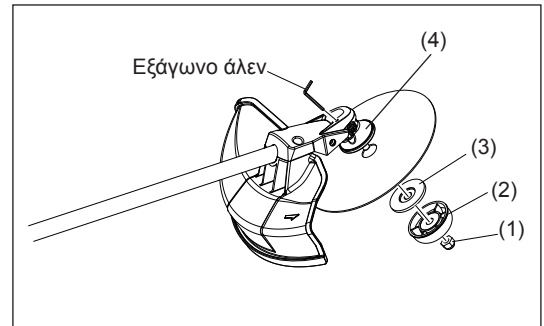
ΠΡΟΣΟΧΗ: Βεβαιωθείτε να σπρώχνετε προς τα μέσα τον προφυλακτήρα του κόφτη του νάιλον νήματος (4) έως ότου εισχωρήσει πλήρως. Φροντίστε να μην τραυματιστείτε πάνω στον κόφτη κόβοντας το νάιλον νήμα.



ΣΤΕΡΕΩΣΗ ΤΗΣ ΛΑΜΑΣ ΚΟΠΗΣ Ή ΤΗΣ ΝΑΪΛΟΝ ΚΕΦΑΛΗΣ ΚΟΠΗΣ

Στρέψτε το μηχάνημα ανάποδα, και τότε μπορείτε να αντικαταστήσετε την λάμα κοπής ή την νάιλον κεφαλή κοπής εύκολα.

- Βάλτε το εξάγωνο άλεν μέσα στην τρύπα στο κιβώτιο των ταχυτήτων και περιστρέψτε την μονάδα υποδοχής της ροδέλας (4) έως ότου κλειδώσει με το εξάγωνο άλεν.
- Ξεσφίξτε το παξιμάδι (1) (αριστερό σπείρωμα) με το κλειδί άλεν, και αφαιρέστε το παξιμάδι (1), το καπάκι (2) και τη ροδέλα σύσφιξης (3).



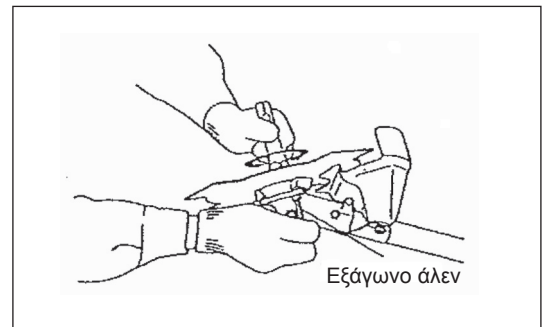
Στερέωση της λάμας κοπής

Με το εξάγωνο άλεν ακόμη στη θέση του.

- Στερεώστε την λάμα κοπής πάνω στον άξονα έτσι ώστε ο οδηγός της μονάδας υποδοχής της ροδέλας (4) να ταιριάζει στην τρύπα του άξονα της λάμας κοπής. Τοποθετήστε τη ροδέλα σύσφιξης (3), το καπάκι (2) και στερεώστε τη λάμα κοπής με το παξιμάδι (1).
[Ροπή σφίξης: 13 - 23 N-m]

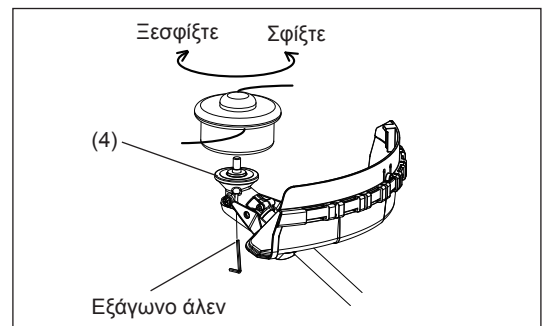
ΣΗΜΕΙΩΣΗ: Πάντοτε να φοράτε γάντια κατά τον χειρισμό της λάμας κοπής.

ΣΗΜΕΙΩΣΗ: Το παξιμάδι στερέωσης της λάμας κοπής (με ελατηριωτή ροδέλα) είναι ένα αναλώσιμο εξάρτημα. Εάν εμφανιστεί η οποιαδήποτε φθορά ή παραμόρφωση στη ελατηριωτή ροδέλα, αντικαταστήστε το παξιμάδι.

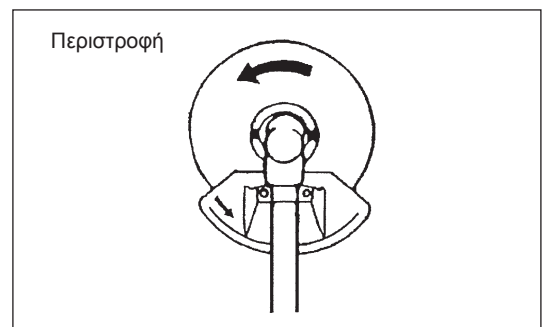


Στερέωση της νάιλον κεφαλής κοπής

- Η ροδέλα σύσφιξης (3), το καπάκι (2) και το παξιμάδι (1) δεν είναι απαραίτητα για την στερέωση της νάιλον κεφαλής κοπής. Η νάιλον κεφαλή κοπής πρέπει να βρίσκεται στην κορυφή της μονάδας υποδοχής της ροδέλας (4).
- Βάλτε το εξάγωνο άλεν μέσα στην τρύπα στο κιβώτιο των ταχυτήτων και περιστρέψτε την μονάδα υποδοχής της ροδέλας (4) έως ότου κλειδώσει με το εξάγωνο άλεν.
- Στην συνέχεια βιδώστε την νάιλον κεφαλή κοπής πάνω στον άξονα περιστρέφοντάς την αριστερόστροφα.
- Αφαιρέστε το εξάγωνο άλεν.



- Φροντίστε ώστε η λάμα να έχει την πάνω μεριά αριστερά.



ΠΡΙΝ ΑΠΟ ΤΟ ΞΕΚΙΝΗΜΑ ΤΗΣ ΛΕΙΤΟΥΡΓΙΑΣ

Έλεγχος και αναπλήρωση του λαδιού του κινητήρα

- Εκτελέστε την παρακάτω διαδικασία, με κρύο τον κινητήρα.
- Κρατώντας τον κινητήρα επίπεδο, αφαιρέστε τον δείκτη του λαδιού, και επιβεβαιώστε το υπάρχει λάδι μεταξύ των σημαδιών του πάνω και του κάτω ορίου.
Όταν δεν υπάρχει μεγάλη ποσότητα λαδιού, έτσι ώστε ο δείκτης του λαδιού μόλις να αγγίζει το λάδι με την άκρη του, ιδιαίτερα με τον δείκτη του λαδιού να παραμένει βυθισμένος στο στροφαλοθάλαμο χωρίς βίδωμα (Εικ. 1), γεμίστε με καινούργιο λάδι κοντά στην τρύπα (Εικ. 2).
- Για αναφορά, ο χρόνος αναπλήρωσης του λαδιού είναι περίπου 15 ώρες (συχνότητα αναγέμισης: 15 φορές).
Εάν αλλάξει το χρώμα του λαδιού ή αναμειχθεί με βρωμιά, αντικαταστήστε το με καινούργιο. (Για το διάστημα και την μέθοδο αντικατάστασης, ανατρέξτε στο P203 - 204)

Συνιστώμενο λάδι: SAE 10W-30 λάδι Κατηγορίας API, Κλάση SF ή υψηλότερη (4-χρονος κινητήρας για αυτοκίνητα)

Όγκος λαδιού: Περίπου 0,1 Λίτρο

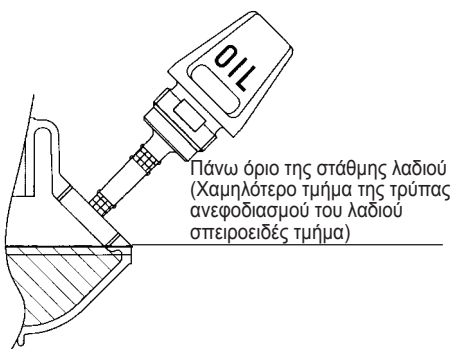
Σημείωση: Εάν ο κινητήρας δεν κρατηθεί όρθιος, το λάδι μπορεί να μπει γύρω από τον κινητήρα και να γεμίσει υπερβολικά.
Εάν το λάδι γεμίσει πάνω από το όριο, το λάδι μπορεί να ρυπανθεί ή να πιάσει φωτιά με άσπρο καπνό.

1η παρατήρηση στην Αντικατάσταση του λαδιού: “Δείκτης λαδιού”

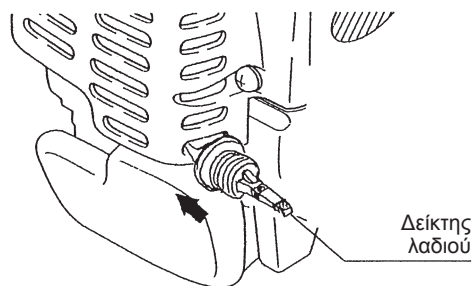
- Αφαιρέστε τη σκόνη ή την βρωμιά κοντά στην τρύπα ανεφοδιασμού του λαδιού, και αποσυνδέστε τον δείκτη λαδιού.
- Διατηρήστε τον δείκτη λαδιού που έχετε βγάλει καθαρό από άμμο και σκόνη. Διαφορετικά, η οποιαδήποτε άμμος ή σκόνη κολλήσει στον δείκτη του λαδιού μπορεί να προκαλέσει την μη φυσιολογική κυκλοφορία του λαδιού ή την φθορά των τμημάτων του κινητήρα, το οποίο θα προκαλέσει προβλήματα.
- Ως παράδειγμα για να διατηρήσετε το δείκτη καθαρό, συνιστάται να βάζετε τον δείκτη λαδιού με την πλευρά της λαβής του μέσα στο κάλυμμα του κινητήρα Εικ. 3.



Εικ. 1

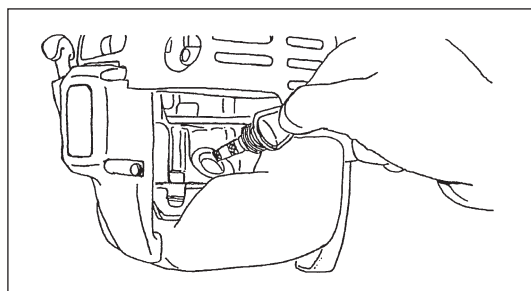


Εικ. 2

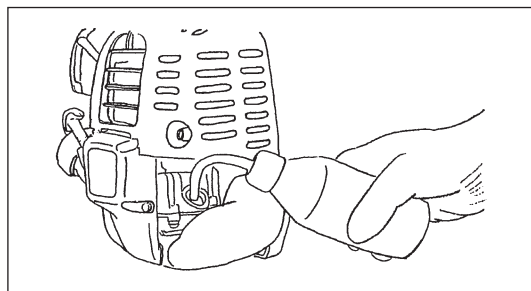


Εικ. 3

(1) Κρατήστε τον κινητήρα επίπεδο και αποσυνδέστε το δείκτη λαδιού.



(2) Γεμίστε λάδι μέχρι το άκρο της τρύπας ανεφοδιασμού του λαδιού. (Ανατρέξτε στην Εικ. 2).
Γεμίστε με λάδι χρησιμοποιώντας το δοχείο γεμίσματος λιπαντικού.



(3) Σφίξτε καλά το δείκτη λαδιού. Το ανεπαρκές σφίξιμο μπορεί να προκαλέσει την διαρροή λαδιού.

2η παρατήρηση στην Αντικατάσταση του λαδιού: “Εάν το λάδι χυθεί έξω”

- Εάν το λάδι χυθεί έξω μεταξύ του ρεζερβουάρ καυσίμου και της κύριας μονάδας του κινητήρα, το λάδι απορροφάται μέσα στη θύρα εισαγωγής του ψυκτικού αέρα, και θα προκαληθεί ρύπανση του κινητήρα. Φροντίστε να σκουπίσετε το λάδι που έχει χυθεί πριν την έναρξη της λειτουργίας.

ΑΝΕΦΟΔΙΑΣΜΟΣ

Χειρισμός καυσίμου

Είναι απαραίτητο να χειρίζεστε το καύσιμο με τη μεγαλύτερη δυνατή προσοχή. Το καύσιμο μπορεί να περιέχει ουσίες όμοιες με τους διαλύτες. Ο ανεφοδιασμός πρέπει να γίνεται σε ένα επαρκώς αεριζόμενο δωμάτιο ή σε ένα ανοικτό χώρο. Ποτέ να μην εισπνέετε τους ατμούς του καυσίμου και κρατήστε μακριά σας το καύσιμο. Εάν αγγίξετε το καύσιμο επαναλαμβανόμενα για μακρό χρονικό διάστημα το δέρμα γίνεται ξηρό, και μπορεί να προκαλέσει ασθένεια του δέρματος ή αλλεργία. Εάν το καύσιμο μπει στο μάτι καθαρίστε το με καθαρό νερό. Εάν το μάτι σας παραμείνει ερεθισμένο, συμβουλευτείτε το γιατρό σας.

Χρονική περίοδος αποθήκευσης του καυσίμου

Το καύσιμο πρέπει να χρησιμοποιείται μέσα σε μια περίοδο 4 εβδομάδων, ακόμη και αν είναι φυλαγμένο σε ειδικό δοχείο σε μια καλά αεριζόμενη σκιερή περιοχή.

Εάν δεν χρησιμοποιηθεί ειδικό δοχείο ή εάν το δοχείο μείνει ακάλυπτο, το καύσιμο μπορεί να αλλοιωθεί σε μια μέρα.

ΑΠΟΘΗΚΕΥΣΗ ΤΟΥ ΜΗΧΑΝΗΜΑΤΟΣ ΚΑΙ ΤΟΥ ΔΟΧΕΙΟΥ ΑΝΕΦΟΔΙΑΣΜΟΥ

- Φυλάξτε το μηχάνημα και το δοχείο σε ένα ψυχρό χώρο μακριά από το απευθείας ηλιακό φως.
- Ποτέ να μην φυλάσσετε το καύσιμο στην καμπίνα ή το πορτμπακάζ.

Καύσιμο

Ο κινητήρας είναι ένας τετράχρονος κινητήρας. Βεβαιωθείτε να χρησιμοποιήσετε μια βενζίνη αυτοκινήτου (κανονική βενζίνη ή βενζίνη υψηλής ποιότητας).

Σημειώσεις για το καύσιμο

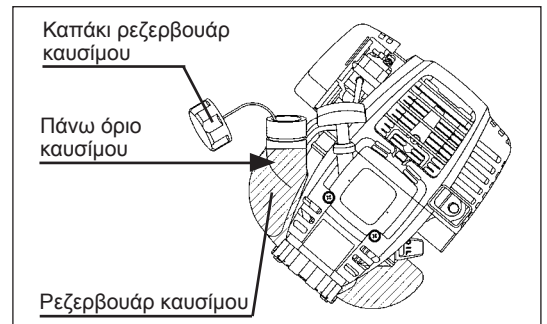
- Ποτέ να μην χρησιμοποιήσετε ένα μείγμα βενζίνης που περιέχει λάδι μηχανής. Διαφορετικά, θα προκληθεί υπερβολική συσσώρευση άνθρακα ή μηχανικά προβλήματα.
- Η χρήση αλλοιωμένου λαδιού θα προκαλέσει τη μη φυσιολογική εκκίνηση.

Ανεφοδιασμός

ΠΡΟΕΙΔΟΠΟΙΗΣΗ: ΟΙ ΕΥΦΛΕΚΤΕΣ ΟΥΣΙΕΣ ΑΠΑΓΟΡΕΥΟΝΤΑΙ ΑΥΣΤΗΡΑ

Χρησιμοποιούμενη βενζίνη: Βενζίνη αυτοκινήτου (αμόλυβδη βενζίνη)

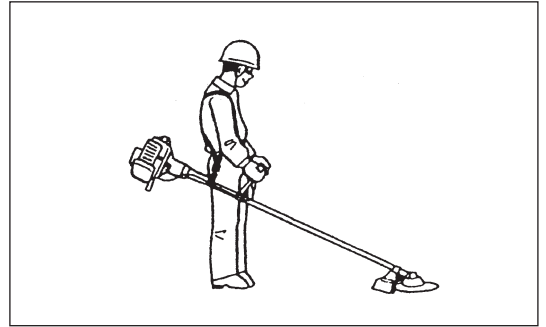
- Ξεσφίξτε λίγο το καπάκι του ρεζερβουάρ έτσι ώστε να μην υπάρχει διαφορά στην ατμοσφαιρική πίεση.
 - Αποσπάστε το καπάκι του ρεζερβουάρ, και ανεφοδιάστε, εκτονώνοντας τον αέρα γέρνοντας το ρεζερβουάρ καυσίμου έτσι ώστε η τρύπα ανεφοδιασμού να βλέπει προς τα πάνω. (Ποτέ να μην γεμίζετε το καύσιμο πλήρως έως την τρύπα ανεφοδιασμού του λαδιού.)
 - Σκουπίστε καλά την περιφέρεια του καπακιού του ρεζερβουάρ για να αποτρέψετε στα ξένα σώματα να μπουν μέσα στο ρεζερβουάρ καυσίμου.
 - Μετά τον ανεφοδιασμό, σφίξτε καλά το καπάκι του ρεζερβουάρ.
- Εάν υπάρχει κάποια ανωμαλία ή ζημιά στο καπάκι του ρεζερβουάρ, αντικαταστήστε το.
 - Το καπάκι του ρεζερβουάρ είναι αναλώσιμο και επομένως θα πρέπει να αντικαθίσταται κάθε δυο με τρία χρόνια.



ΣΩΣΤΟΣ ΧΕΙΡΙΣΜΟΣ ΤΟΥ ΜΗΧΑΝΗΜΑΤΟΣ

Τοποθέτηση του ιμάντα του ώμου

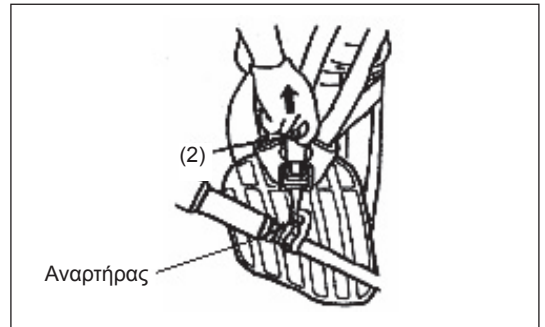
- Προσαρμόστε το μήκος του ιμάντα έτσι ώστε η λάμα κοπής να είναι παράλληλη με το έδαφος.



Αποσύνδεση

- Σε περίπτωση εκτάκτου ανάγκης, αφαιρέστε το μοχλό αποσύνδεσης εκτάκτου ανάγκης (2) τραβώντας γερά με το δάκτυλο. Η βάση του μηχανήματος αποσυνδέεται από το σώμα. Τη στιγμή αυτή δώστε μεγάλη προσοχή για να διατηρήσετε τον έλεγχο του μηχανήματος. Μην επιτρέψετε στο μηχάνημα να εκτραπεί προς τα εσάς ή προς τον οποιονδήποτε στην περιοχή εργασίας.

ΠΡΟΕΙΔΟΠΟΙΗΣΗ: Αν δεν διατηρήσετε τον πλήρη έλεγχο του μηχανήματος μπορεί να προκληθεί σοβαρός σωματικός τραυματισμός ή ΘΑΝΑΤΟΣ.



ΣΗΜΕΙΩΣΕΙΣ ΓΙΑ ΤΟ ΧΕΙΡΙΣΜΟ ΚΑΙ ΠΩΣ ΝΑ ΓΙΝΕΙ ΤΟ ΣΤΑΜΑΤΗΜΑ

Να τηρείτε τους ισχύοντες κανονισμούς πρόληψης ατυχημάτων!

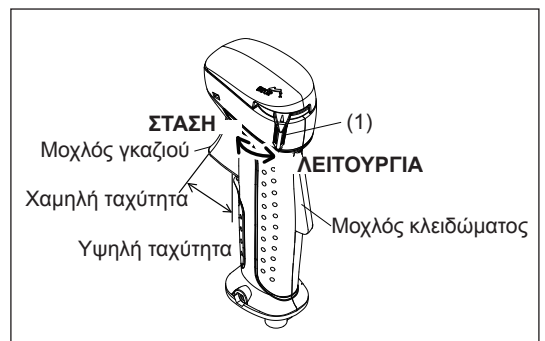


ΞΕΚΙΝΗΜΑ

Μετακινηθείτε τουλάχιστον 3 μέτρα από το σημείο ανεφοδιασμού με καύσιμο. Τοποθετήστε το Βενζινοκίνητο Θαμνοκοπτικό σε μια καθαρή περιοχή στο έδαφος δίνοντας προσοχή ώστε το εργαλείο κοπής να μην βρίσκεται σε επαφή με το έδαφος ή με άλλα αντικείμενα.

A: Εκκίνηση εν ψυχρώ

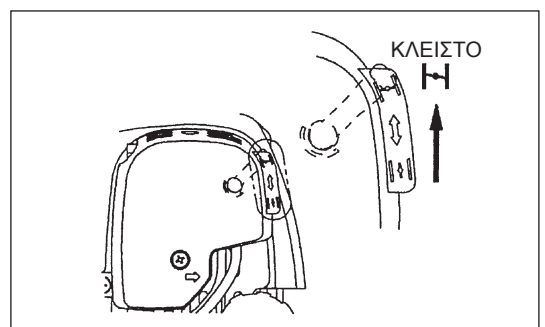
- 1) Τοποθετήστε αυτό το μηχάνημα σε μια επίπεδη επιφάνεια.



- 2) Τοποθετήστε το διακόπτη I-O (1) στη θέση ΛΕΙΤΟΥΡΓΙΑ.

- 3) Μοχλός τσοκ
Κλείστε το μοχλό του τσοκ.
Άνοιγμα του τσοκ:

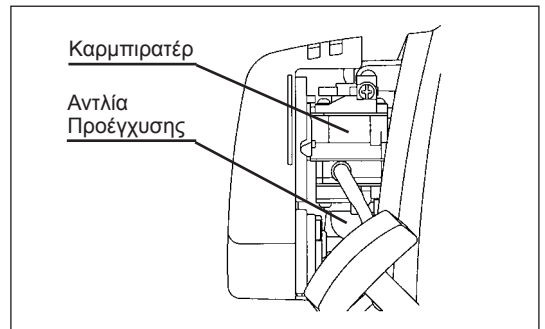
- Πλήρως κλειστό στις ψυχρές θερμοκρασίες ή όταν ο κινητήρας είναι ψυχρός.
- Πλήρως ή μισανοιγμένο κατά την επανεκκίνηση αμέσως μετά το σταμάτημα της λειτουργίας.



4) Αντλία προέγχυσης

Συνεχίστε να σπρώχνεται την αντλία προέγχυσης έως ότου το καύσιμο να εισέλθει μέσα στην αντλία προέγχυσης. (Γενικά, το καύσιμο εισέρχεται μέσα στην αντλία προέγχυσης με 7 έως 10 σπρωξίματα.)

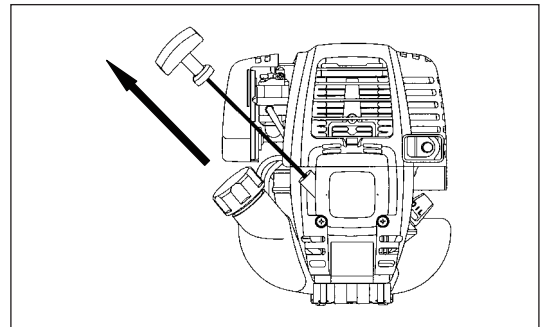
Εάν η αντλία προέγχυσης σπρωχτεί υπερβολικά, η περίσσεια ποσότητα βενζίνης επιστρέφει στο ρεζερβουάρ καυσίμου.



5) Εκκινήτῃρας ανατύλιξης

Τραβήξτε τη λαβή του εκκινήτῃρα ελαφρά έως ότου καταστεί δύσκολο το τράβηγμα (σημείο συμπίεσης). Στην συνέχεια επιστρέψετε τη λαβή εκκίνησης, και τραβήξτε την δυνατά.

Ποτέ να μην τραβήξετε το σχοινί μέχρι τέρμα. Όταν τραβηχτεί η λαβή του εκκινήτῃρα, ποτέ να μην ελευθερώσετε το χέρι σας αμέσως. Κρατήστε τη λαβή του εκκινήτῃρα έως ότου να επιστρέψει στο αρχικό της σημείο.



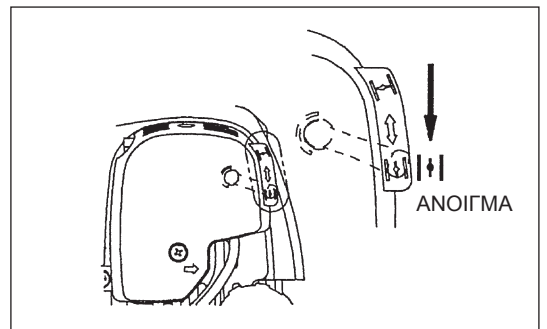
6) Μοχλός τσοκ

Όταν ξεκινήσει ο κινητῃρας, ανοίξτε το μοχλό του τσοκ.

- Ανοίξτε προοδευτικά τον μοχλό του τσοκ καθώς ελέγχετε την λειτουργία του κινητῃρα. Φροντίστε να ανοίξετε πλήρως το μοχλό του τσοκ στο τέλος.
- Στο κρύο ή όταν ο κινητῃρας είναι κρύος, ποτέ να μην ανοίξετε απότομα το μοχλό του τσοκ. Διαφορετικά, ο κινητῃρας μπορεί να σταματήσει.

7) Λειτουργία προθέρμανσης

Συνεχίστε τη λειτουργία προθέρμανσης για 2 έως 3 λεπτά.



Σημείωση: - Εάν το χερούλι του εκκινήτῃρα τραβηχτεί επαναλαμβανόμενα καθώς ο μοχλός του τσοκ παραμένει στην "ΚΛΕΙΣΤΗ" θέση, ο κινητῃρας δεν θα ξεκινήσει εύκολα λόγω της υπερβολικής εισαγωγής καυσίμου.

- Εάν εισέλθει υπερβολική ποσότητα καυσίμου, αφαιρέστε το μπουζί και τραβήξτε το χερούλι του εκκινήτῃρα αργά για να αφαιρέσετε το υπερβολικό καύσιμο. Επίσης, στεγνώστε το τμήμα του ηλεκτροδίου του μπουζιού.

Προσοχή κατά τη λειτουργία:

Εάν ο μοχλός του γκαζιού ανοίγει πλήρως κατά τη λειτουργία χωρίς φορτίο, οι περιστροφές του κινητῃρα θα αυξηθούν στις 10.000 λεπτό⁻¹ ή περισσότερο. Ποτέ να μην λειτουργείτε τον κινητῃρα σε υψηλότερες ταχύτητες από ό,τι απαιτείται, και διατηρήστε τις περιστροφές σε μια ταχύτητα περίπου 6.000 - 8.500 λεπτό⁻¹.

Β: Εκκίνηση μετά την λειτουργία προθέρμανσης

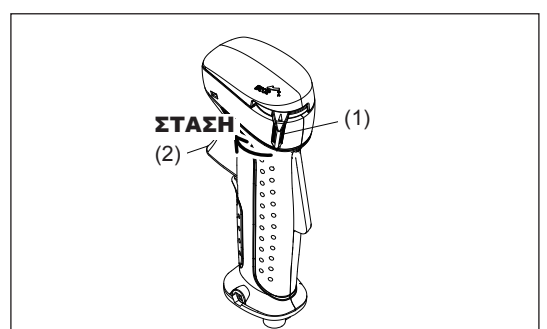
- 1) Σπρώξτε επαναλαμβανόμενα την αντλία προέγχυσης.
- 2) Κρατήστε τον μοχλό του γκαζιού στη θέση του ρελαντί.
- 3) Τραβήξτε γερά τον εκκινήτῃρα ανατύλιξης.
- 4) Εάν είναι δύσκολη η εκκίνηση του κινητῃρα, ανοίξτε το γκάζι στο 1/3 περίπου. Δώστε προσοχή στην λεπίδα κοπής η οποία μπορεί να περιστραφεί.

Προσοχή κατά την λειτουργία

Όταν ο κινητῃρας λειτουργεί σε ανάποδη θέση, μπορεί να βγει άσπρος καπνός από το σιγαστήρα.

ΣΤΑΜΑΤΗΜΑ

- 1) Αφήστε εντελώς το μοχλό του γκαζιού (2), και μετά όταν οι στροφές του κινητῃρα χαμηλώσουν, ρυθμίστε το διακόπτη I-O στη θέση ΣΤΑΣΗ και ο κινητῃρας τώρα θα σταματήσει.
- 2) Έχετε υπόψη ότι η κεφαλή κοπής μπορεί να μην σταματήσει αμέσως και αφήστε την να σταματήσει εντελώς.



Χειρισμός του μοχλού του γκαζιού

Κρατώντας το κυρίως στοιχείο του μοχλού του γκαζιού με το χέρι (με σπρωγμένο το μοχλό ασφάλισης), τραβήξτε το μοχλό του γκαζιού και θα αυξηθεί η περιστροφή του κινητήρα. Ελευθερώστε το μοχλό του γκαζιού, και ο κινητήρας θα μεταβεί ξανά στο ρελαντί.

Αφήστε το χέρι από το κύριο στοιχείο του μοχλού του γκαζιού, και ο μοχλός ασφάλισης θα επιστρέψει αυτόματα έτσι ώστε ο μοχλός του γκαζιού να μην μπορεί να τραβηχτεί κατά λάθος.

Ρύθμιση της ΠΕΡΙΣΤΡΟΦΗΣ του κινητήρα

Κατά την ρύθμιση της περιστροφής του κινητήρα με ανοιγμένο πλήρως το μοχλό του γκαζιού, περιστρέψτε το καντράν ελέγχου του γκαζιού.

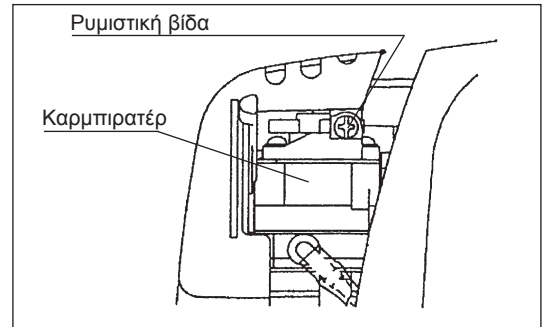
Περιστρέψτε το καντράν δεξιόστροφα, και η περιστροφή του κινητήρα θα ελαττωθεί. Περιστρέψτε το καντράν αριστερόστροφα, και η περιστροφή του κινητήρα θα αυξηθεί.

ΡΥΘΜΙΣΗ ΤΗΣ ΠΕΡΙΣΤΡΟΦΗΣ ΧΑΜΗΛΗΣ ΤΑΧΥΤΗΤΑΣ (ΡΕΛΑΝΤΙ)

Όταν είναι απαραίτητο να ρυθμίσετε την περιστροφή χαμηλής ταχύτητας (ρελαντί), εκτελέστε την από την βίδα ρύθμισης του ρελαντί.

ΕΛΕΓΧΟΣ ΤΗΣ ΠΕΡΙΣΤΡΟΦΗΣ ΧΑΜΗΛΗΣ ΤΑΧΥΤΗΤΑΣ

- Ρυθμίστε την περιστροφή χαμηλής ταχύτητας στις 3.000 λεπτό⁻¹. Εάν είναι απαραίτητο να αλλαχθεί η ταχύτητα περιστροφής, προσαρμόστε την ρυθμιστική βίδα (που δείχνεται στα αριστερά), με ένα σταυρωτό κατσαβίδι.
- Στρέψτε την ρυθμιστική βίδα προς τα δεξιά, και η περιστροφή του κινητήρα θα αυξηθεί. Στρέψτε την ρυθμιστική βίδα προς τα αριστερά, και η περιστροφή του κινητήρα θα μειωθεί.
- Το καρμπρατέρ είναι γενικά ρυθμισμένο πριν την αποστολή. Εάν είναι απαραίτητη η επαναρύθμιση, παρακαλώ ελάτε σε επαφή με τον Εξουσιοδοτημένο Αντιπρόσωπο του Σέρβις.



ΑΚΟΝΙΣΜΑ ΤΟΥ ΕΡΓΑΛΕΙΟΥ ΚΟΠΗΣ

ΠΡΟΣΟΧΗ:

Τα εργαλεία κοπής που αναφέρονται παρακάτω πρέπει μόνο να ακονίζονται από ένα εξουσιοδοτημένο κατάστημα. Το ακόνισμα με το χέρι θα προκαλέσει ανισορροπίες στο εργαλείο κοπής, οι οποίες θα προκαλέσουν δονήσεις και ζημιά στη συσκευή.

- λάμα κοπής
Ένα επαγγελματικό σέρβις ακονίσματος και εξισορρόπησης παρέχεται από τους Εξουσιοδοτημένους Αντιπροσώπους του Σέρβις.

ΣΗΜΕΙΩΣΗ:

Για να αυξηθεί η διάρκεια ζωής της λάμας κοπής μπορεί να αναποδογυριστεί μια φορά, έως ότου να αμβλύνουν και τα δυο άκρα κοπής.

ΝΑΙΛΟΝ ΚΕΦΑΛΗ ΚΟΠΗΣ

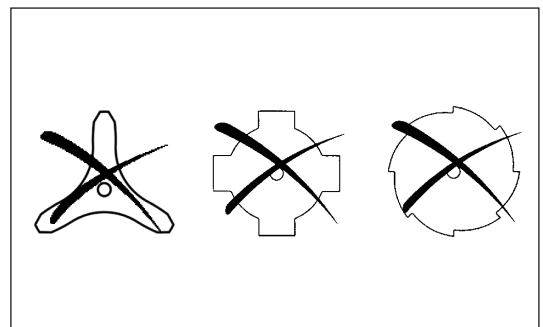
Η νάιλον κεφαλή κοπής είναι μια βενζινοκίνητη κεφαλή κοπής διπλού νήματος συμβατή με μηχανισμούς είτε αυτόματους είτε με αντλία τροφοδοσίας. Η νάιλον κεφαλή κοπής θα τροφοδοτήσει αυτόματα το κατάλληλο μήκος του νάιλον νήματος ανάλογα με τις αλλαγές της φυγόκεντρου δύναμης που προκαλείται από τις αυξανόμενες ή ελαττούμενες περιστροφές. Εντούτοις για την πιο αποτελεσματική κοπή του μαλακού γρασιδιού, κτυπήστε την νάιλον κεφαλή κοπής ενάντια στο έδαφος για να τροφοδοτήσετε επιπλέον νήμα όπως δείχνεται στο τμήμα της λειτουργίας.

Λειτουργία

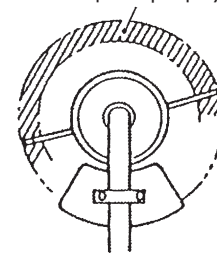
- Αυξήστε την ταχύτητα της νάιλον κεφαλής κοπής περίπου στις 6.000 λεπτό⁻¹. Η χαμηλή ταχύτητα (κάτω από τις 4.800 λεπτό⁻¹) δεν είναι κατάλληλη, το νάιλον νήμα δεν θα τροφοδοτηθεί κατάλληλα προς τα έξω στη χαμηλή ταχύτητα.
- Η πιο αποτελεσματική περιοχή κοπής δείχνεται από τη σκιασμένη περιοχή.

Εάν το νάιλον νήμα δεν τροφοδοτείται αυτόματα, ακολουθήστε τα παρακάτω:

1. Ελευθερώστε το μοχλό του γκαζιού έτσι ώστε ο κινητήρας να λειτουργεί στο ρελαντί, και μετά πιέστε πλήρως το μοχλό του γκαζιού. Επαναλάβετε αυτή τη διαδικασία έως ότου το νάιλον νήμα να τροφοδοτηθεί στο κατάλληλο μήκος.
2. Εάν το νάιλον νήμα είναι πολύ κοντό για να τροφοδοτηθεί αυτόματα χρησιμοποιώντας την παραπάνω διαδικασία, κτυπήστε το κουμπί της νάιλον κεφαλής κοπής ενάντια στο έδαφος για την τροφοδοσία του νάιλον νήματος.
3. Εάν το νάιλον νήμα δεν τροφοδοτείται χρησιμοποιώντας την διαδικασία 2, επανατυλίξτε/αντικαταστήστε το νάιλον νήμα ακολουθώντας τις διαδικασίες που περιγράφονται στην ενότητα "Αντικατάσταση του νάιλον νήματος".

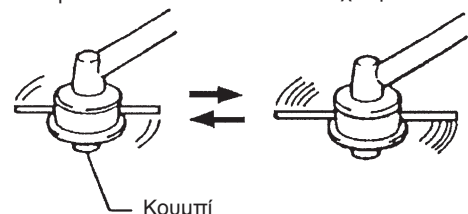


Η πιο αποτελεσματική περιοχή κοπής



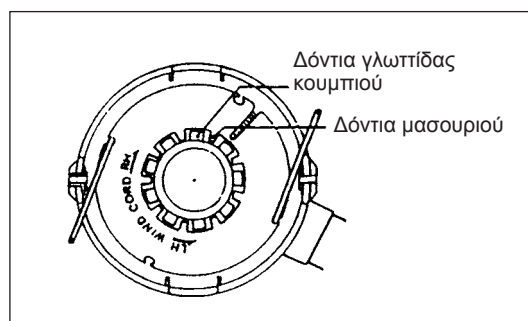
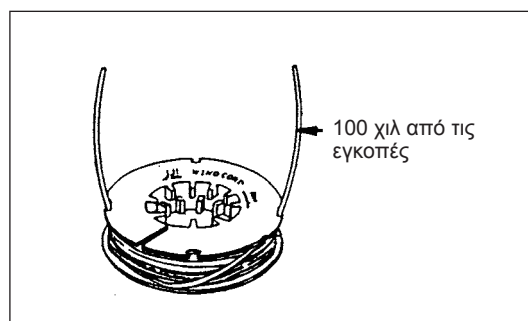
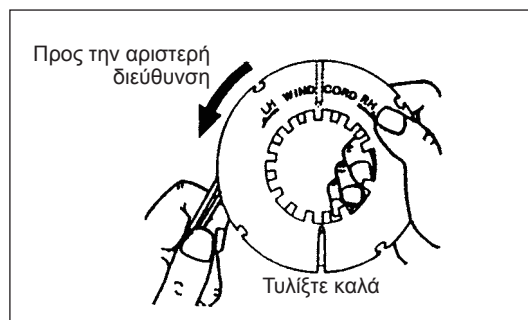
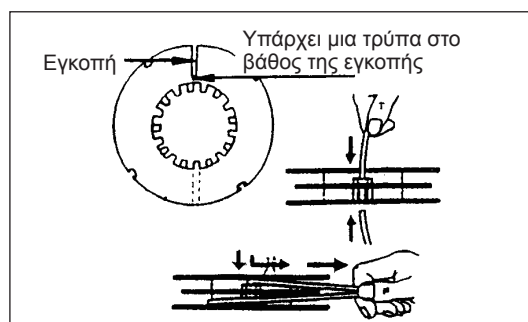
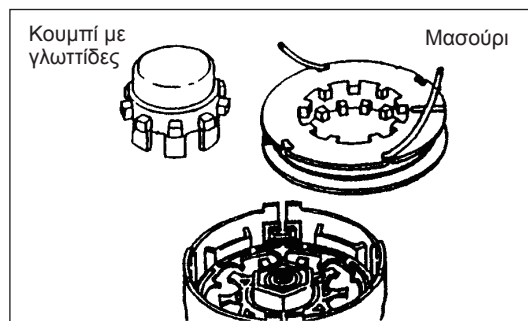
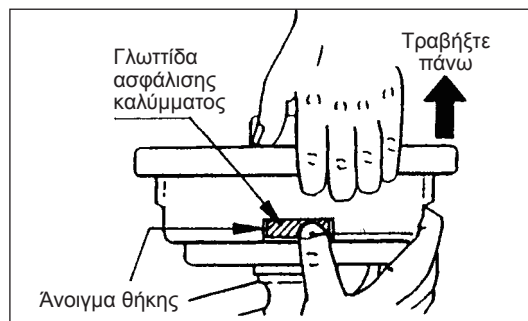
Ταχύτητα
ρελαντί

Πλήρης
ταχύτητα

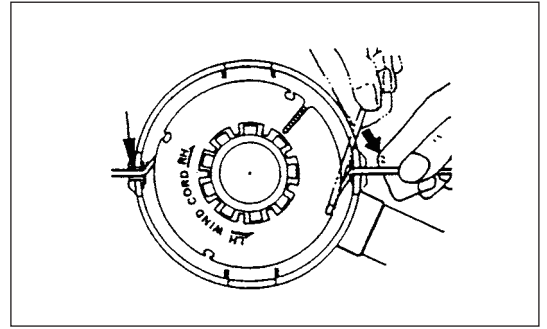


Αντικατάσταση του νάιλον νήματος

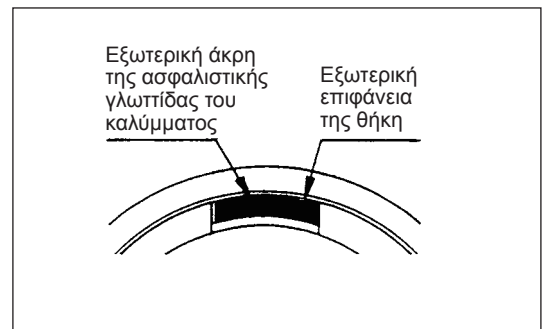
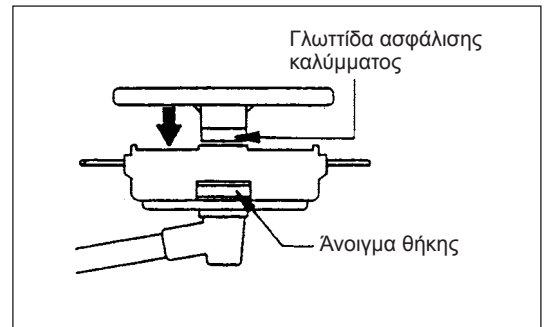
1. Βγάλετε το κάλυμμα από τη θήκη, πιέζοντας τις δυο ασφαλιστικές γλωττίδες του καλύμματος που βρίσκονται στις αντίθετες πλευρές της θήκης.
2. Βγάλετε το κουμπί με τις γλωττίδες και το μασούρι από τη θήκη.
3. Τοποθετήστε το κάθε άκρο των δυο κλωστών κοπής μέσα στην κάθε μια από τις τρύπες στο βάθος των σχισμών στην κάθε μια από τις εξωτερικές φλάντζες του μασουριού. Τοποθετήστε τις κλωστές μέσα στις αυλακώσεις του μασουριού διαμέσου των σχισμών στις φλάντζες.
4. Τυλίξτε τις κλωστές καλά προς την διεύθυνση που δείχνεται από το αριστερό βέλος στη φλάντζα. Μην σταυρώσετε τις κλωστές.
5. Τυλίξτε γύρω από το μασούρι όλο το νήμα εκτός από ένα μήκος 100 χιλ (3-15/16"), αφήνοντας προσωρινά τα άκρα αγκιστρωμένα μέσα στις εγκοπές στο πλάι του καρουλιού.
6. Τοποθετήστε το κουμπί με τις γλωττίδες μέσα στο κέντρο της θήκης, θέση στην οποία μπορεί να μετακινηθεί πάνω και κάτω ενάντια στην πίεση του ελατηρίου. Τοποθετήστε το μασούρι μέσα στη θήκη, ευθυγραμμίζοντας εναλλακτικά τα δόντια στο μασούρι με τις γλωττίδες στο κουμπί όπως τα γρανάζια.



7. Πέρασμα των κλωστών κοπής μέσα από τις σχισμές των οφθαλμιδίων.



8. Τοποθετήστε το κάλυμμα στην θήκη, ευθυγραμμίζοντας τις γλωττίδες του καλύμματος με τα ανοίγματα στη θήκη. Φροντίστε το κάλυμμα να στερεωθεί επακριβώς στη θήκη. Το εξωτερικό άκρο της γλωττίδας ασφάλισης του καλύμματος και η εξωτερική επιφάνεια της θήκης θα πρέπει να βρίσκονται στην ίδια περιφέρεια.



ΟΔΗΓΙΕΣ ΣΕΡΒΙΣ

ΠΡΟΣΟΧΗ: Πριν κάνετε την οποιαδήποτε εργασία πάνω στο Βενζινοκίνητο Θαμνοκοπτικό, πάντοτε να σταματάτε τον κινητήρα και να αποσυνδέετε το σύνδεσμο του μπουζιού από το μπουζί (δείτε την ενότητα "έλεγχος του μπουζιού"). Πάντοτε να φοράτε προστατευτικά γάντια!

Για την διασφάλιση της μεγάλης διάρκειας ζωής και της αποφυγής της ζημιάς στη συσκευή, εκτελείτε κατά τακτά διαστήματα τις παρακάτω εργασίες συντήρησης.

Καθημερινός έλεγχος και συντήρηση

- Πριν την λειτουργία, ελέγξτε την συσκευή για ξεσφιγμένες βίδες ή εξαρτήματα που λείπουν. Δώστε ιδιαίτερη προσοχή στο σφίξιμο της λάμας κοπής ή στην νάιλον κεφαλή κοπής.
- Πριν από την λειτουργία, πάντοτε να ελέγχετε για την ύπαρξη βουλώματος στους αεραγωγούς ψύξης και στα πτερύγια του κυλίνδρου. Καθαρίστε τα εάν είναι απαραίτητο.
- Εκτελέστε τις παρακάτω εργασίες συντήρησης καθημερινά μετά την χρήση:
 - Καθαρίστε εξωτερικά το Βενζινοκίνητο Θαμνοκοπτικό και επιθεωρήστε το για την ύπαρξη ζημιάς.
 - Καθαρίστε το φίλτρο αέρα. Κατά την εργασία υπό συνθήκες με πολύ σκόνη, καθαρίστε το φίλτρο αρκετές φορές την μέρα.
 - Ελέγξτε τη λάμα ή την νάιλον κεφαλή κοπής για ζημιά και βεβαιωθείτε ότι είναι καλά στερεωμένη.
 - Ελέγξτε για να διαπιστώσετε ότι υπάρχει επαρκής διαφορά μεταξύ των ταχυτήτων του ρελαντί και της λειτουργίας και να διασφαλίσετε ότι το εργαλείο κοπής είναι σταματημένο όταν ο κινητήρας βρίσκεται στο ρελαντί (εάν είναι απαραίτητο, ελαττώστε την ταχύτητα του ρελαντί). Εάν στο ρελαντί το εργαλείο συνεχίσει να λειτουργεί, συμβουλευτείτε τον Εξουσιοδοτημένο Αντιπρόσωπο του Σέρβις.
- Ελέγξτε για να διαπιστώσετε ότι ο διακόπτης I-O, ο μοχλός απεμπλοκής, ο μοχλός χειρισμού, και το κουμπί ασφαλίσης λειτουργούν σωστά.

ΑΝΤΙΚΑΤΑΣΤΑΣΗ ΤΟΥ ΛΑΔΙΟΥ ΤΟΥ ΚΙΝΗΤΗΡΑ

Το αλλοιωμένο λάδι του κινητήρα θα μικρύνει την διάρκεια ζωής των εξαρτημάτων που ολισθαίνουν και περιστρέφονται κατά μεγάλο βαθμό. Φροντίστε να ελέγχετε την περίοδο και την ποσότητα της αντικατάστασης.



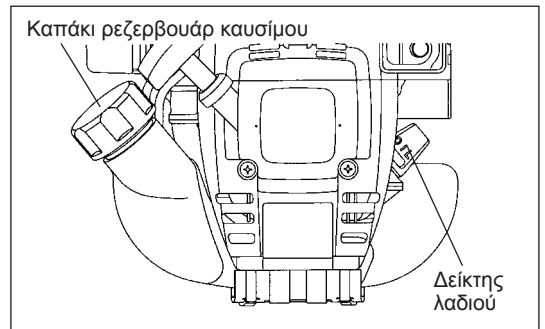
ΠΡΟΣΟΧΗ: Γενικά, η κύρια μονάδα του κινητήρα και το λάδι του κινητήρα παραμένουν ακόμη ζεστά αμέσως μετά το σταμάτημα του κινητήρα. Κατά την αντικατάσταση του λαδιού, επιβεβαιώστε ότι η κύρια μονάδα του κινητήρα και το λάδι του κινητήρα έχουν επαρκώς κρυώσει. Διαφορετικά υπάρχει ο κίνδυνος εγκαύματος.

Σημείωση: Εάν το λάδι γεμίσει πάνω από το όριο, το λάδι μπορεί να ρυπανθεί ή να πιάσει φωτιά με άσπρο καπνό.

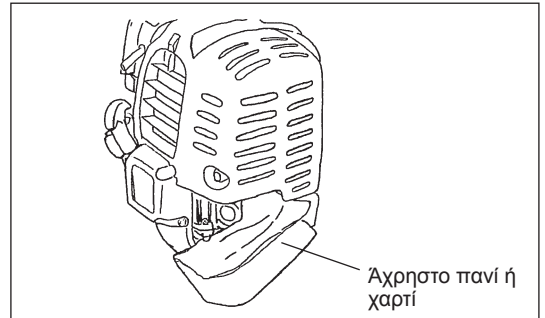
Περίοδοι αντικατάστασης: Αρχικά, κάθε 20 ώρες λειτουργίας, και στη συνέχεια κάθε 50 ώρες λειτουργίας
Συνιστώμενο λάδι: SAE 10W-30 λάδι Κατηγορίας API Κλάση SF ή υψηλότερη (4-χρονος κινητήρας για αυτοκίνητα)

Κατά την αντικατάσταση εκτελέστε την παρακάτω διαδικασία.

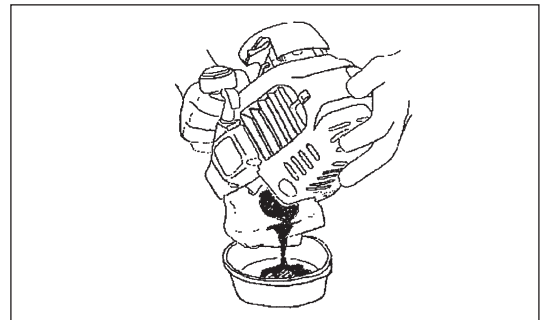
- 1) Επιβεβαιώστε ότι το καπάκι του ρεζερβουάρ καυσίμου είναι καλά σφικμένο.
- 2) Αποσυνδέστε τον δείκτη λαδιού.
Διατηρήστε καθαρό το δείκτη καυσίμου από σκόνη ή βρωμιά.



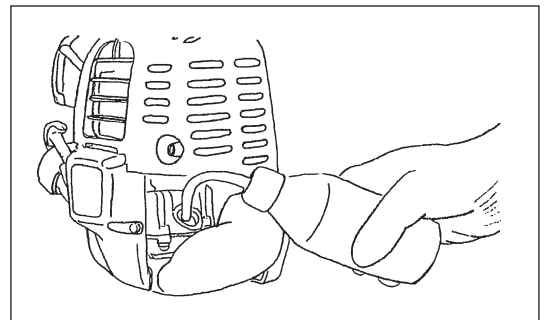
- 3) Τοποθετήστε το άχρηστο πανί ή το χαρτί στην τρύπα ανεφοδιασμού λαδιού.



- 4) Αποσυνδέστε το δείκτη λαδιού, και αποστραγγίστε το λάδι, γέρνοντας την κύρια μονάδα προς το μέρος της τρύπας ανεφοδιασμού του λαδιού.
Αποστραγγίστε το λάδι σε ένα δοχείο για την κανονική απόρριψή του.



- 5) Διατηρήστε τον κινητήρα επίπεδο και γεμίστε με καινούργιο λάδι έως το χείλος της τρύπας ανεφοδιασμού λαδιού.
Κατά τον ανεφοδιασμό, χρησιμοποιήστε ένα δοχείο ανεφοδιασμού λιπαντικού.
- 6) Μετά τον ανεφοδιασμό, σφίξτε καλά το δείκτη λαδιού. Το ανεπαρκές σφίξιμο του δείκτη λαδιού θα προκαλέσει την διαρροή λαδιού.



ΣΗΜΕΙΩΣΕΙΣ ΓΙΑ ΤΟ ΛΑΔΙ

- Ποτέ να μην πετάξετε το παλιό λάδι στα σκουπίδια, στο έδαφος ή στην αποχέτευση. Η απόρριψη του λαδιού υπόκειται στην νομοθεσία. Κατά την απόρριψη, πάντοτε να ακολουθείτε τους σχετικούς νόμους και κανονισμούς. Εάν δεν γνωρίζετε κάποια στοιχεία, επικοινωνήστε με τον Εξουσιοδοτημένο Αντιπρόσωπο του Σέρβις.
- Το λάδι θα αλλοιωθεί ακόμη και αν το φυλάξετε αχρησιμοποίητο. Εκτελέστε τον έλεγχο και την αντικατάσταση σε τακτά διαστήματα (αντικαταστήστε με καινούργιο λάδι κάθε 6 μήνες).

ΚΑΘΡΙΣΜΟΣ ΦΙΛΤΡΟΥ ΑΕΡΑ



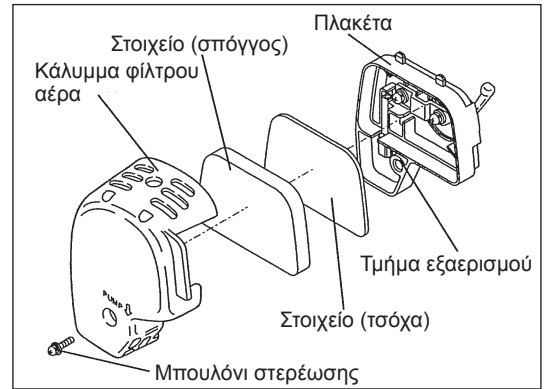
ΚΙΝΔΥΝΟΣ: ΟΙ ΕΥΦΛΕΚΤΕΣ ΟΥΣΙΕΣ ΑΠΑΓΟΡΕΥΟΝΤΑΙ ΑΥΣΤΗΡΑ

Χρονικό διάστημα καθαρισμού και επιθεώρησης: Καθημερινά (κάθε 10 ώρες λειτουργίας)

- Στρέψτε το μοχλό του τσοκ στην πλήρως κλειστή πλευρά και κρατήστε το καρμπιρατέρ καθαρό από βρωμιά ή σκόνη.
- Αφαιρέστε τα μπουλόνια στερέωσης του καλύμματος του φίλτρου αέρα.
- Τραβήξτε το κάτω μέρος του καλύμματος και αποσυνδέστε το κάλυμμα του φίλτρου αέρα.
- Εάν έχει κολλήσει στο στοιχείο (σπόγγος) λάδι, πιέστε το καλά.
- Για μεγάλη ρύπανση:
 - 1) Αφαιρέστε το στοιχείο (σπόγγος), βυθίστε το σε ζεστό νερό ή σε νερό με διαλυμένο ουδέτερο απορρυπαντικό, και στεγνώστε το εντελώς.
 - 2) Καθαρίστε το στοιχείο (τσόχα) με βενζίνη, και στεγνώστε το εντελώς.
- Πριν συνδέσετε το στοιχείο, φροντίστε να το στεγνώσετε εντελώς. Το ανεπαρκές στεγνώμα του στοιχείου μπορεί να οδηγήσει στην δυσκολία στην εκκίνηση.
- Σκουπίστε με ένα άχρηστο πανί το λάδι που είναι κολλημένο γύρω από το κάλυμμα του φίλτρου αέρα και το έλασμα αερισμού.
- Αμέσως μετά την ολοκλήρωση του καθαρισμού, συνδέστε το κάλυμμα του φίλτρου και σφίξτε το με τα μπουλόνια στερέωσης. (Κατά την επανατοποθέτηση, πρώτα τοποθετήστε την πάνω προεξοχή, και στη συνέχεια την κάτω προεξοχή.)

Σημειώσεις για το χειρισμό του στοιχείου του φίλτρου αέρα

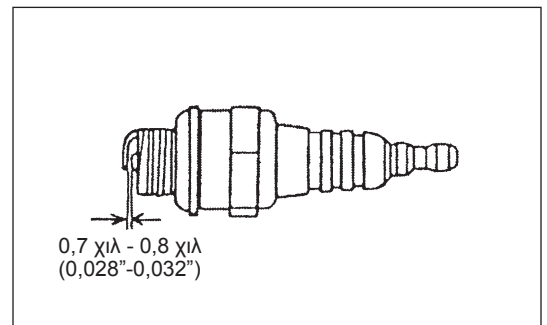
- Καθαρίστε το στοιχείο αρκετές φορές την ημέρα, εάν κολλάει πάνω του υπερβολική σκόνη.
- Εάν συνεχιστεί η λειτουργία με το στοιχείο να παραμένει βρώμικο από λάδι, το λάδι από το φίλτρο αέρα μπορεί να πέσει έξω ρυπαίνοντας.



ΕΛΕΓΧΟΣ ΤΟΥ ΜΠΟΥΖΙΟΥ

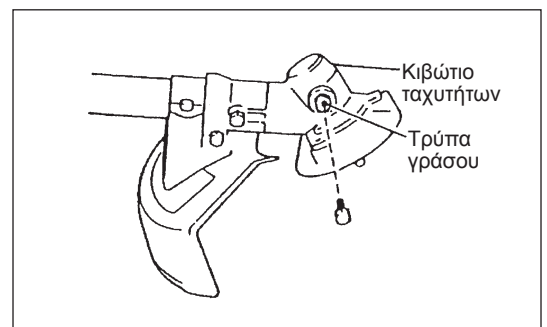
- Χρησιμοποιήστε μόνο το παρεχόμενο κλειδί γενικής χρήσης για την αφαίρεση ή την τοποθέτηση του μπουζιού.
- Το διάκενο μεταξύ των δυο ηλεκτροδίων του μπουζιού πρέπει να είναι 0,7-0,8 χιλ (0,028"-0,032"). Διορθώστε το διάκενο εάν είναι πολύ μεγάλο ή μικρό. Εάν το μπουζί είναι βουλωμένο ή ρυπαρό, καθαρίστε το καλά ή αντικαταστήστε το.

ΠΡΟΣΟΧΗ: Ποτέ να μην αγγίζετε το σύνδεσμο του μπουζιού καθώς λειτουργεί ο κινητήρας (υπάρχει κίνδυνος ηλεκτροπληξίας από την υψηλή τάση).



ΓΡΑΣΑΡΙΣΜΑ ΤΟΥ ΚΙΒΩΤΙΟΥ ΤΑΧΥΤΗΤΩΝ

- Βάλτε γράσο (Shell Alvania 2 ή ισοδύναμο) στο κιβώτιο ταχυτήτων μέσα από την τρύπα του γράσου κάθε 30 ώρες. (Αυθεντικό γράσο DOLMAR μπορεί να αγοραστεί από τον αντιπρόσωπο της DOLMAR.)



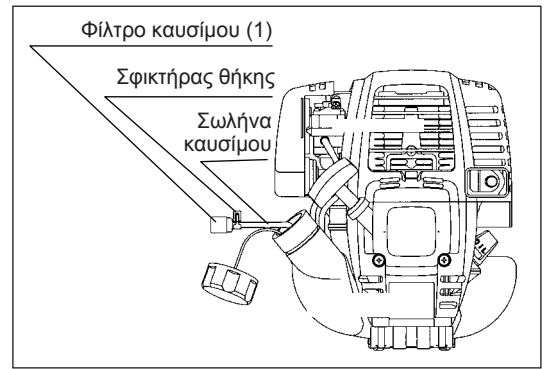
ΚΑΘΑΡΙΣΜΑ ΦΙΛΤΡΟΥ ΚΑΥΣΙΜΟΥ

ΠΡΟΕΙΔΟΠΟΙΗΣΗ: ΟΙ ΕΥΦΛΕΚΤΕΣ ΟΥΣΙΕΣ ΑΠΑΓΟΡΕΥΟΝΤΑΙ ΑΥΣΤΗΡΑ

Χρονικό διάστημα καθαρισμού και επιθεώρησης: Μηνιαία (κάθε 50 ώρες λειτουργίας)

Κεφαλή αναρρόφησης στο ρεζερβουάρ

- Το φίλτρο καυσίμου (1) της κεφαλής αναρρόφησης χρησιμοποιείται για την παροχή του απαιτούμενου καυσίμου που απαιτείται από το καρμπυρατέρ.
- Για το σκοπό αυτό, ανοίξτε την τάπα του ρεζερβουάρ, χρησιμοποιήστε ένα συρματένιο άγκιστρο και τραβήξτε έξω την κεφαλή αναρρόφησης μέσα από το άνοιγμα του ρεζερβουάρ. Τα φίλτρα που έχουν σκληράνει, ρυπανθεί ή έχουν βουλώσει πρέπει να αντικαθίστανται.
- Η ανεπαρκής παροχή καυσίμου μπορεί να προκαλέσει την υπέρβαση της μέγιστης επιτρεπόμενης ταχύτητας. Είναι επομένως σημαντική η αντικατάσταση του φίλτρου καυσίμου τουλάχιστον ανά τρίμηνο για να διασφαλιστεί η ικανοποιητική παροχή καυσίμου στο καρμπυρατέρ.



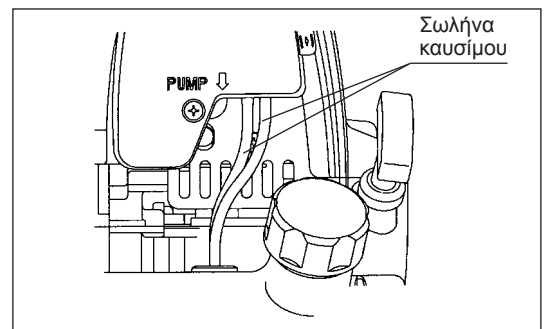
ΑΝΤΙΚΑΤΑΣΤΑΣΗ ΤΗΣ ΣΩΛΗΝΑΣ ΚΑΥΣΙΜΟΥ

ΠΡΟΣΟΧΗ: ΟΙ ΕΥΦΛΕΚΤΕΣ ΟΥΣΙΕΣ ΑΠΑΓΟΡΕΥΟΝΤΑΙ ΑΥΣΤΗΡΑ

Χρονικό διάστημα καθαρισμού και επιθεώρησης: Καθημερινά (κάθε 10 ώρες λειτουργίας)

Αντικατάσταση: Ετήσια (κάθε 200 ώρες λειτουργίας)

Αντικαταστήστε την σωλήνα καυσίμου κάθε χρόνο, ανεξάρτητα από την συχνότητα χρήσης. Η διαρροή καυσίμου μπορεί να οδηγήσει στην πυρκαγιά. Εάν ανιχνευτεί η οποιαδήποτε διαρροή κατά την επιθεώρηση, αντικαταστήστε αμέσως την σωλήνα λαδιού.



ΕΠΙΘΕΩΡΗΣΗ ΜΠΟΥΛΟΝΙΩΝ, ΠΑΞΙΜΑΔΙΩΝ ΚΑΙ ΒΙΔΩΝ

- Σφίξτε ξανά τα χαλαρά μπουλόνια, παξιμάδια κτλ.
- Ελέγξτε για την περίπτωση διαρροής καυσίμου και λαδιού.
- Αντικαταστήστε τα φθαρμένα εξαρτήματα με καινούργια για μια ασφαλή λειτουργία.

ΚΑΘΑΡΙΣΜΟΣ ΕΞΑΡΤΗΜΑΤΩΝ

- Διατηρήστε τον κινητήρα πάντοτε καθαρό.
- Καθαρίστε τα πτερύγια του κυλίνδρου καθαρά από σκόνη ή βρωμιά. Η κολλημένη σκόνη ή βρωμιά στα πτερύγια θα προκαλέσει το σφήνωμα του πιστονιού.

ΑΝΤΙΚΑΤΑΣΤΑΣΗ ΦΛΑΝΤΖΩΝ ΚΑΙ ΣΤΟΙΧΕΙΩΝ ΣΥΝΑΡΜΟΛΟΓΗΣΗΣ

Κατά την επανασυναρμολόγηση του κινητήρα μετά από την αποσυναρμολόγηση του, φροντίστε να αντικαταστήσετε όλες τις φλάντζες και τα στοιχεία συναρμολόγησης με καινούργια.

Η οποιαδήποτε εργασία συντήρησης ή ρύθμισης που δεν συμπεριλαμβάνεται και δεν περιγράφεται σε αυτό το εγχειρίδιο θα πρέπει να εκτελείται μόνο από τους Εξουσιοδοτημένους Αντιπροσώπους του Σέρβις.

ΑΠΟΘΗΚΕΥΣΗ

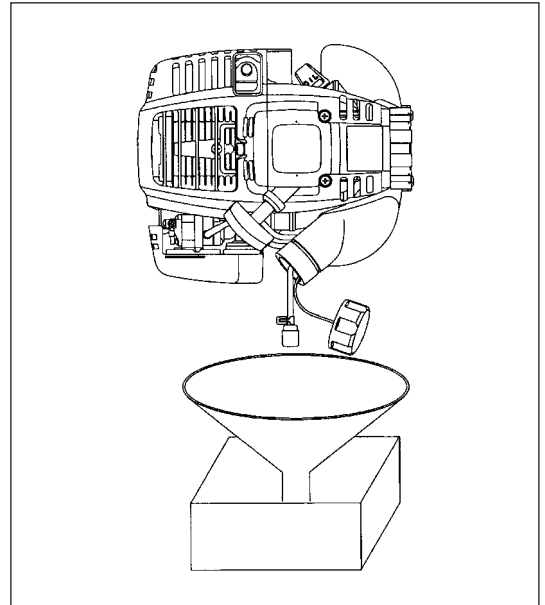


ΠΡΟΕΙΔΟΠΟΙΗΣΗ: Κατά την αποστράγγιση του καυσίμου, φροντίστε να σταματήσετε τον κινητήρα και επιβεβαιώσετε ότι ο κινητήρας έχει κρυώσει. Μετά το σταμάτημα, ο κινητήρας μπορεί να είναι ακόμη ζεστός με την πιθανότητα πρόκλησης εγκαύματος, αναφλεξιμότητας και πυρκαγιάς.



ΠΡΟΣΟΧΗ: Όταν το μηχάνημα πρόκειται να μείνει εκτός λειτουργίας για μεγάλο χρονικό διάστημα, αποστραγγίστε όλο το καύσιμο από το ρεζερβουάρ καυσίμου και το καρμπιρατέρ, και στην συνέχεια φυλάξτε το σε ένα ξηρό και καθαρό μέρος.

- Αποστραγγίστε το καύσιμο από το ρεζερβουάρ καυσίμου και το καρμπιρατέρ σύμφωνα με την παρακάτω διαδικασία:
 - 1) Αφαιρέστε το καπάκι του ρεζερβουάρ καυσίμου, και αποστραγγίστε εντελώς το καύσιμο. Εάν υπάρχει το οποιοδήποτε ξένο σώμα μέσα στο ρεζερβουάρ καυσίμου, αφαιρέστε το εντελώς.
 - 2) Τραβήξτε έξω το φίλτρο καυσίμου από την τρύπα ανεφοδιασμού χρησιμοποιώντας ένα σύρμα.
 - 3) Σπρώξτε την αντλία προέγχυσης έως ότου αποστραγγιστεί το καύσιμο από εκεί, και το αποστραγγισμένο καύσιμο να μπει μέσα στο ρεζερβουάρ καυσίμου.
 - 4) Επανατοποθετήστε το φίλτρο στο ρεζερβουάρ καυσίμου, και σφίξτε καλά το καπάκι του ρεζερβουάρ καυσίμου.
 - 5) Στη συνέχεια συνεχίστε να λειτουργείτε τον κινητήρα έως ότου σταματήσει.
- Αφαιρέστε το μπουζί και ρίξτε αρκετές σταγόνες λαδιού κινητήρα μέσα στην τρύπα του μπουζιού.
- Τραβήξτε με προσοχή το χερούλι του εκκινητήρα έτσι ώστε το λάδι του κινητήρα να απλωθεί πάνω από τον κινητήρα και συνδέστε το μπουζί.
- Τοποθετήστε το κάλυμμα στην λεπίδα κοπής.
- Κατά την αποθήκευση, διατηρήστε τη ράβδο οριζόντια ή κρατήστε το μηχάνημα όρθιο με το άκρο της λάμας να βλέπει προς τα επάνω. (Στην περίπτωση αυτή, δώστε πολύ προσοχή για την αποφυγή της πτώσης του μηχανήματος.) Ποτέ να μην αποθηκεύετε το μηχάνημα με το άκρο της λάμας κοπής να βλέπει προς τα κάτω. Το λιπαντικό λάδι μπορεί να χυθεί.
- Διατηρήστε το αποστραγγισμένο καύσιμο μέσα σε ένα ειδικό δοχείο σε ένα καλά αεριζόμενο χώρο υπό σκιά.



Προσοχή μετά από μια παρατεταμένη αποθήκευση.

- Πριν την εκκίνηση μετά από ένα μακροχρόνιο διάστημα διακοπής, φροντίστε να αντικαταστήσετε το λάδι (ανατρέξτε στη Σ 202). Το λάδι θα αλλοιωθεί κατά το διάστημα στο οποίο το μηχάνημα δεν βρίσκεται σε λειτουργία.

Εντοπισμός σφάλματος

Σφάλμα	Σύστημα	Παρατήρηση	Αιτία
Ο κινητήρας δεν ξεκινά ή ξεκινά με δυσκολία	Σύστημα ανάφλεξης	Σπινθήρας ανάφλεξης ΕΝΤΑΞΕΙ Δεν υπάρχει σπινθήρας ανάφλεξης	Σφάλμα στην παροχή καυσίμου ή στο σύστημα συμπίεσης, μηχανική βλάβη Ο διακόπτης ΣΤΑΣΗΣ είναι ενεργοποιημένος, σφάλμα καλωδίωσης ή βραχυκύκλωμα, ελαττωματικό μπουζί ή σύνδεσμος, βλάβη στο σύστημα ανάφλεξης
	Παροχή καυσίμου	Γεμάτο ρεζερβουάρ	Λανθασμένη θέση του τσοκ, ελαττωματικό καρμπιρατέρ, σωλήνας παροχής καυσίμου λυγισμένος ή μπλοκαρισμένος, βρώμικο καύσιμο
	Συμπίεση	Καμιά συμπίεση κατά το τράβηγμα	Ελαττωματική η κάτω στεγανοποιητική φλάντζα του κυλίνδρου, φθαρμένα στεγανοποιητικά του στροφαλοφόρου, ελαττωματικό δακτύλιο του κυλίνδρου ή του πιστονιού ή ακατάλληλη στεγανοποίηση του μπουζιού
	Μηχανική βλάβη	Ο εκκινητήρας δεν λειτουργεί	Σπασμένο ελατήριο του εκκινητήρα, σπασμένα εξαρτήματα μέσα στον κινητήρα
Προβλήματα θερμής εκκίνησης		Γεμάτο το ρεζερβουάρ ύπαρξη σπινθήρα ανάφλεξης	Ρυπαρό καρμπιρατέρ, καθαρίστε το
Ο κινητήρας ξεκινά αλλά σβήνει	Παροχή καυσίμου	Ρεζερβουάρ γεμάτο	Λανθασμένη ρύθμιση του καρμπιρατέρ, βρώμικο καρμπιρατέρ Ελαττωματικό άνοιγμα του ρεζερβουάρ, διακοπή στο σωλήνα παροχής καυσίμου, ελαττωματικό καλώδιο ή διακόπτης ΣΤΑΣΗΣ
Ανεπαρκής απόδοση	Πολλά συστήματα μπορεί να είναι ταυτόχρονα ελαττωματικά	Ανεπαρκές ρελαντί του κινητήρα	Βρώμικο φίλτρο αέρα, βρώμικο καρμπιρατέρ, σιγαστήρας βουλωμένος, αγωγός εξάτμισης βουλωμένος

Χρόνος λειτουργίας Στοιχείο		Πριν τη λειτουργία	Μετά τη λειτουργία	Καθημερινά (10 ώρες)	30 ώρες	50 ώρες	200 ώρες	Σβήσιμο/ διακοπή	Αντίστοιχη Σ
Λάδι κινητήρα	Επιθεώρηση/ καθαρισμός	○							197
	Αντικατάσταση					○*1			203
Σφίξιμο εξαρτημάτων (μπουλόνι, παξιμάδι)	Επιθεώρηση	○							206
Ρεζερβουάρ καυσίμου	Καθάρισμα/ επιθεώρηση	○							—
	Αποστράγγιση καυσίμου							○*3	207
Μοχλός γκαζιού	Έλεγχος λειτουργίας		○						—
Διακόπτης διακοπής	Έλεγχος λειτουργίας		○						200
Λάμα κοπής	Επιθεώρηση	○		○					195
Περιστροφή χαμηλής ταχύτητας	Έλεγχος/ ρύθμιση			○					201
Φίλτρο αέρα	Καθαρισμός			○					205
Μπουζί	Επιθεώρηση			○					205
Ψυκτικός αεραγωγός	Καθάρισμα/ επιθεώρηση			○					206
Σωλήνα καυσίμου	Επιθεώρηση			○					206
	Αντικατάσταση						◎*2		—
Γράσο κιβωτίου ταχυτήτων	Ανεφοδιασμός				○				205
Φίλτρο καυσίμου	Καθαρισμός/ αντικατάσταση					○			206
Διάκενο μεταξύ της βαλβίδας εισαγωγής και της βαλβίδας εκκένωσης	Ρύθμιση						◎*2		—
Σωλήνας λαδιού	Επιθεώρηση						◎*2		
Λεπτομερής επιθεώρηση κινητήρα							◎*2		—
Καρμπιρατέρ	Αποστράγγιση καυσίμου							○*3	207

*1 Εκτελέστε την αρχική αντικατάσταση μετά από 20 ώρες λειτουργίας.

*2 Για την επιθεώρηση των 200 ωρών, απευθυνθείτε σε ένα Εξουσιοδοτημένο Αντιπρόσωπο του Σέρβις ή σε ένα συνεργείο.

*3 Μετά το άδειασμα του ρεζερβουάρ καυσίμου, συνεχίστε τη λειτουργία του κινητήρα για την αποστράγγιση του καυσίμου στο καρμπιρατέρ.

ΕΠΙΛΥΣΗ ΠΡΟΒΛΗΜΑΤΩΝ

Πριν ζητήσετε βοήθεια για επισκευές, ελέγξτε το πρόβλημα μόνοι σας. Εάν βρεθεί κάποια ανωμαλία, χειριστείτε το μηχανήμα σας σύμφωνα με τα όσα περιγράφονται σε αυτό το εγχειρίδιο. Ποτέ μην προσπαθήσετε να αποσυναρμολογήσετε το οποιοδήποτε εξάρτημα ενάντια σε όσα περιγράφονται. Για επισκευές, ελάτε σε επαφή με τον Εξουσιοδοτημένο Αντιπρόσωπο του Σέρβις ή την τοπική αντιπροσωπεία.

Κατάσταση προβλήματος	Πιθανή αιτία (δυσλειτουργία)	Αποκατάσταση
Ο κινητήρας δεν ξεκινά	Αστοχία λειτουργίας της αντλίας προέγχυσης	Σπρώξτε 7 με 10 φορές
	Χαμηλή ταχύτητα τραβήγματος του κορδονιού του εκκινητήρα	Τραβήξτε πιο δυνατά
	Έλλειψη καυσίμου	Προσθέστε καύσιμο
	Βουλωμένο φίλτρο καυσίμου	Καθαρίστε
	Λυγισμένους σωλήνας καυσίμου	Ισιώστε το σωλήνα καυσίμου
	Αλλοιωμένο καύσιμο	Το αλλοιωμένο καύσιμο καθιστά την εκκίνηση πιο δύσκολη. Αντικαταστήστε με ένα καινούργιο. (Συνιστώμενη αντικατάσταση: 1 μήνα)
	Υπερβολική αναρρόφηση καυσίμου	Τοποθετήστε το μοχλό του γκαζιού από την ενδιάμεση ταχύτητα στην υψηλή ταχύτητα και τραβήξτε τον χερούλι του εκκινητήρα έως ότου να ξεκινήσει ο κινητήρας. Όταν ξεκινήσει ο κινητήρας, η λάμα κοπής αρχίζει να περιστρέφεται. Δώστε μεγάλη προσοχή στην λεπίδα κοπής. Εάν ο κινητήρας δεν ξεκινά ακόμη, αφαιρέστε το μπουζί, στεγνώστε το ηλεκτρόδιο, και επανατοποθετήστε τα στην αρχική τους θέση. Στη συνέχεια, ξεκινήστε όπως έχει καθοριστεί προηγουμένως.
	Αποσυνδεδεμένο καπάκι μπουζιού	Συνδέστε το καλά
	Ρυπαρό μπουζί	Καθαρίστε
	Μη φυσιολογικό διάκενο του μπουζιού	Ρυθμίστε το διάκενο
	Άλλη ανωμαλία του μπουζιού	Αντικαταστήστε
	Μη φυσιολογικό καρμπιρατέρ	Ζητήστε την επιθεώρηση και την συντήρηση.
	Το κορδόνι του εκκινητήρα δεν μπορεί να τραβηχτεί	Ζητήστε την επιθεώρηση και την συντήρηση.
Μη φυσιολογικό σύστημα μετάδοσης	Ζητήστε την επιθεώρηση και την συντήρηση.	
Ο κινητήρας σταματά γρήγορα Η ταχύτητα του κινητήρα δεν αυξάνεται	Ανεπαρκές ζέσταμα	Εκτελέστε την λειτουργία προθέρμανσης
	Ο μοχλός του τσοκ είναι τοποθετημένος στο "ΚΛΕΙΣΤΟ" παρότι έχει ζεσταθεί ο κινητήρας.	Τοποθετήστε στο "ΑΝΟΙΚΤΟ"
	Βουλωμένο φίλτρο καυσίμου	Καθαρίστε
	Ρυπαρό ή βουλωμένο φίλτρο αέρα	Καθαρίστε
	Μη φυσιολογικό καρμπιρατέρ	Ζητήστε την επιθεώρηση και την συντήρηση.
	Μη φυσιολογικό σύστημα μετάδοσης	Ζητήστε την επιθεώρηση και την συντήρηση.
Η λάμα κοπής δεν περιστρέφεται ↓ Σταματήστε τον κινητήρα αμέσως	Ξεσφιγμένη λάμα κοπής-παξιμάδι σύσφιξης	Σφίξτε καλά
	Κλαδάκια πιάστηκαν από την λάμα κοπής ή το κάλυμμα αποτροπής διασποράς.	Αφαιρέστε τα ξένα σώματα
	Μη φυσιολογικό σύστημα μετάδοσης	Ζητήστε την επιθεώρηση και την συντήρηση.
Η κύρια μονάδα υφίσταται ανώμαλη δόνηση ↓ Σταματήστε τον κινητήρα αμέσως	Σπασμένη, λυγισμένη ή φθαρμένη λάμα κοπής	Αντικαταστήστε την λάμα κοπής
	Ξεσφιγμένη λάμα κοπής-παξιμάδι σύσφιξης	Σφίξτε καλά
	Μετατόπιση του κυρτού τμήματος της λάμας κοπής και του υποστηρικτικού εξαρτήματος της λάμας κοπής.	Συνδέστε το καλά
	Μη φυσιολογικό σύστημα μετάδοσης	Ζητήστε την επιθεώρηση και την συντήρηση.
Η λάμα κοπής δεν σταματά αμέσως ↓ Σταματήστε τον κινητήρα αμέσως	Υψηλή περιστροφή του ρελαντί	Ρυθμίστε
	Αποσυνδεδεμένο καλώδιο γκαζιού	Συνδέστε το καλά
	Μη φυσιολογικό σύστημα μετάδοσης	Ζητήστε την επιθεώρηση και την συντήρηση.
Ο κινητήρας δεν σταματά ↓ Λειτουργήστε τον κινητήρα στο ρελαντί και τοποθετήστε τον μοχλό του τσοκ στο ΚΛΕΙΣΤΟ	Αποκολλημένος συνδετήρας	Συνδέστε τον καλά
	Μη φυσιολογικό ηλεκτρικό σύστημα	Ζητήστε την επιθεώρηση και την συντήρηση.

Όταν ο κινητήρας δεν ξεκινά μετά την λειτουργία προθέρμανσης:

Εάν δεν υπάρχει καμιά ανωμαλία στα σημεία ελέγχου, ανοίξτε το γκάζι περίπου στο 1/3 και ξεκινήστε τον κινητήρα.



DOLMAR GmbH
Postfach 70 04 20
D-22004 Hamburg
<http://www.dolmar.com>