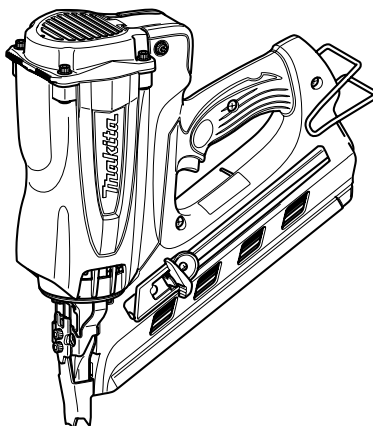
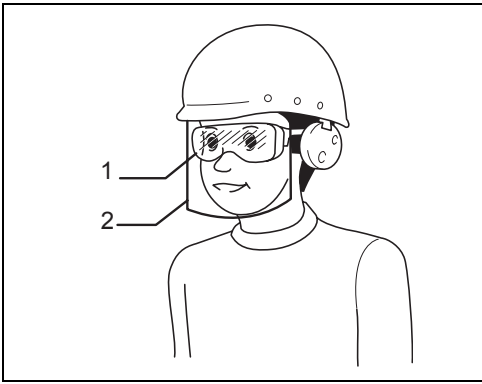




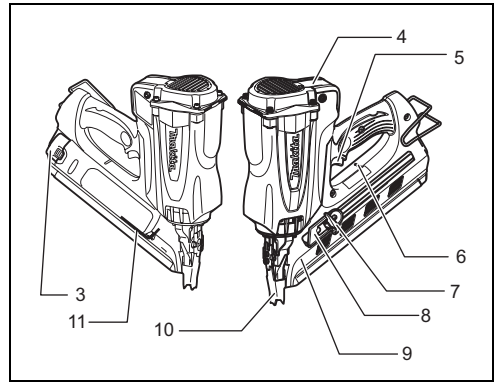
GB	Cordless Clipped Head Framing Nailer	Instruction manual
F	Cloueuse à charpente clous à tête tronquée sans fil	Manuel d'instructions
D	Gas-Streifen-Nagler	Betriebsanleitung
I	Chiodatrice a batteria per chiodi con testa a semiluna	Istruzioni per l'uso
NL	Accunagelpistool voor skeletbouw	Gebruiksaanwijzing
E	Clavadora inalámbrica de clavos de cabeza recortada para estructuras	Manual de instrucciones
P	Pistola de pregos de cabeça cortada sem fio	Manual de instruções
DK	Ledningsfri sømpistol til søm m. reduceret hoved	Brugsanvisning
GR	Καρφωτικό εργαλείο μπαταρίας με πρόκα συντετμημένης κεφαλής	Οδηγίες χρήσης

GN900

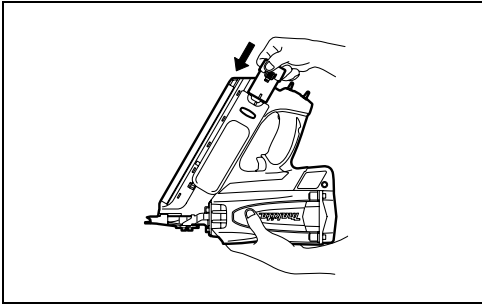




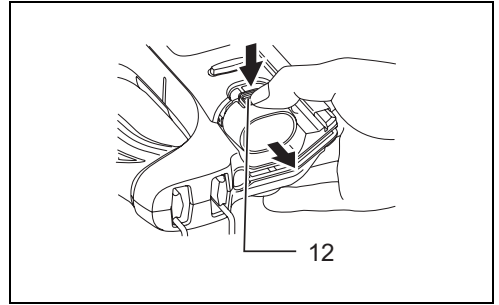
1



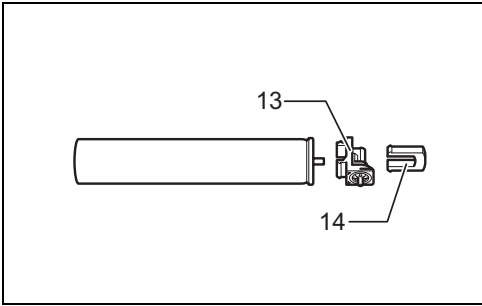
2



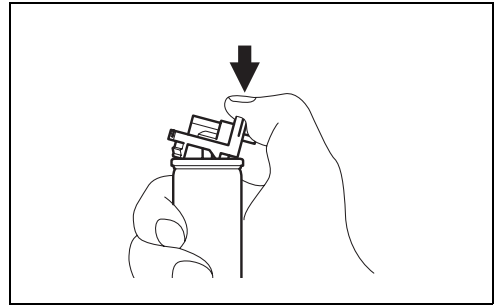
3



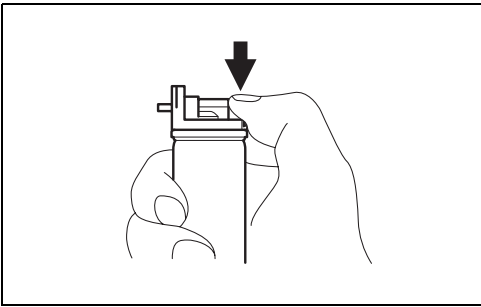
4



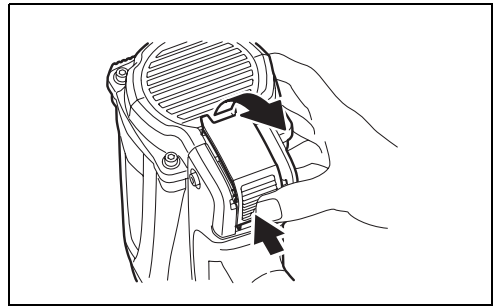
5



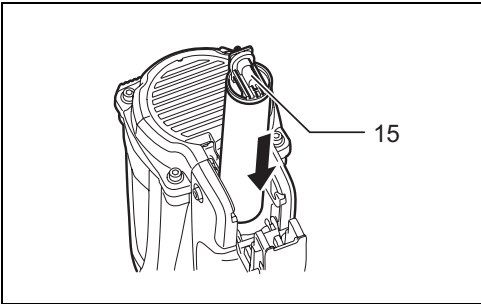
6



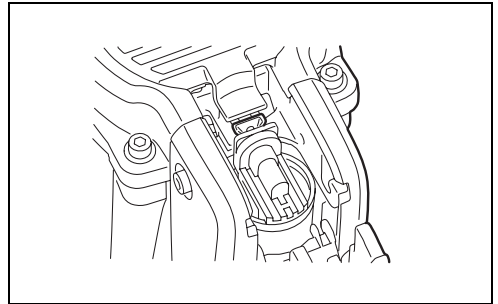
7



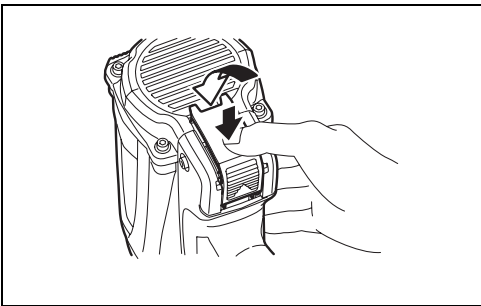
8



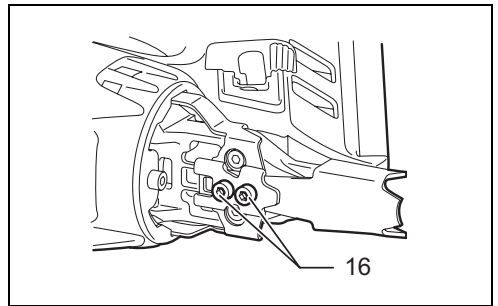
9



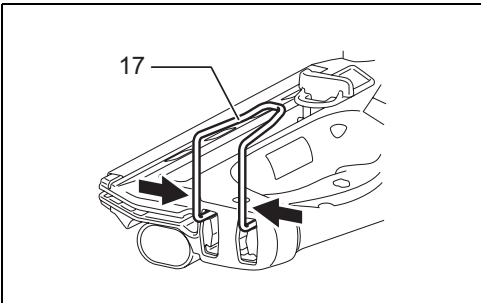
10



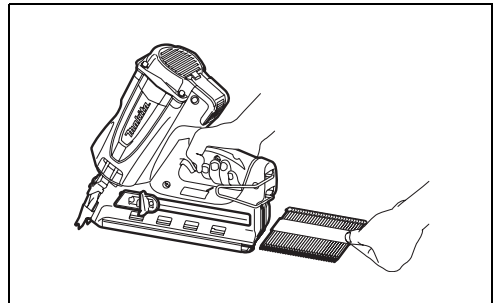
11



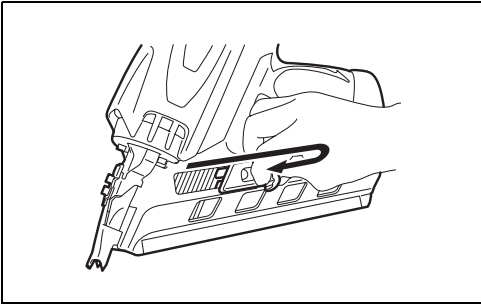
12



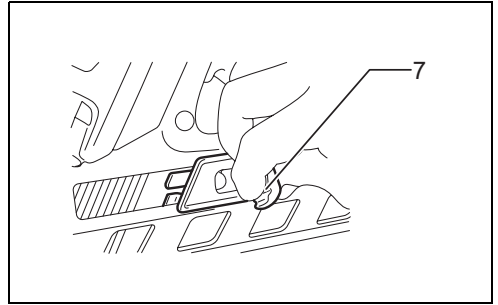
13



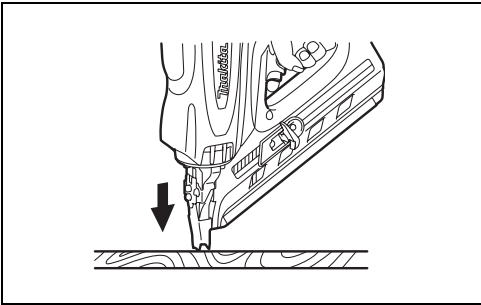
14



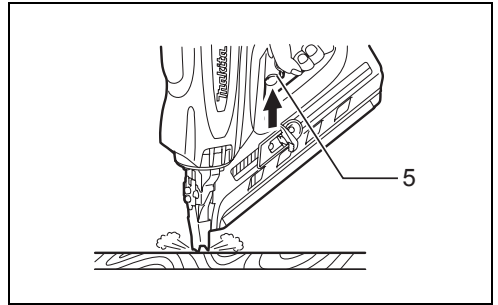
15



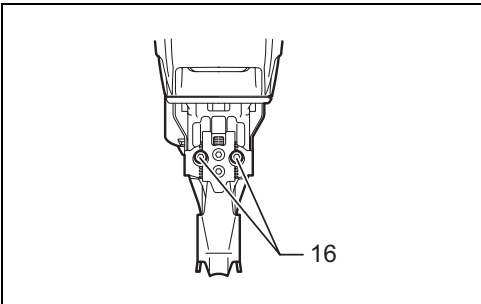
16



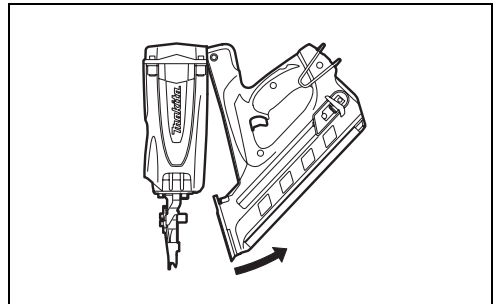
17



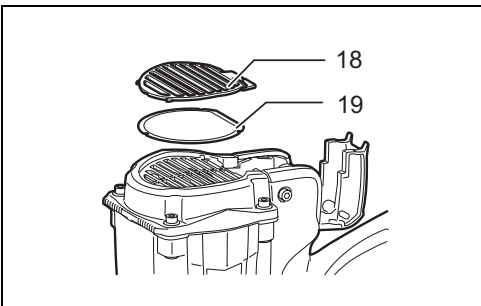
18



19



20



21

Explanation of general view

- | | | |
|----------------------|---------------------|------------------|
| 1. Safety glasses | 8. Pusher lever | 15. Jet nozzle |
| 2. Face shield | 9. Magazine | 16. Screws |
| 3. Battery cartridge | 10. Contact element | 17. Hook |
| 4. Fuel cover | 11. Hex wrench | 18. Filter cover |
| 5. Trigger | 12. Button | 19. Filter |
| 6. Indication lamp | 13. Metering valve | |
| 7. Pusher button | 14. Cap | |










SPECIFICATIONS

Model	GN900
Nail length X Shank diameter	Nail L: 50 mm - 90 mm D: 2.9 mm - 3.3 mm
Nail capacity	40 nails (1strip)
Nail collation angle (degree)	34
Figure of nail head	Clipped
Dimensions (L X H X W)	321 mm X 108 mm X 368 mm
Net weight	3.2 kg
Rated voltage	D.C. 7.2 V

- Due to our continuing program of research and development, the specifications herein are subject to change without notice.
- Note: Specifications may differ from country to country.

Symbols END107-3

The following show the symbols used for the equipment. Be sure that you understand their meaning before use.

-  Read instruction manual.
-  Container under pressure, keep away from temperatures over 50°C (for ex. sun radiation) Keep container in a well ventilated place.
-  Use only outside or well ventilated rooms. Do not breathe gas.
-  Do not use near flames or sprays on heated surfaces. In use, may form flammable/explosive vapour-air mixture.
-  Do not damage, puncture or burn even after use.
-  Wear safety glasses
-  Keep fingers away from trigger when not driving fasteners to avoid accidental firing.
-  Use only in ventilated area to avoid nausea and unconsciousness. Never use tool in combustible atmospheres. The tool exhaust may ignite flammable materials.
-  Do not use on scaffoldings, ladders.

Intended use ENE0591

The tool is intended for the preliminary interior work such as fixing floor joists or common rafters and framing work in 2 "x 4" housing.

IMPORTANT SAFETY INSTRUCTIONS ENB111-2

WARNING: WHEN USING THIS TOOL, BASIC SAFETY PRECAUTIONS SHOULD ALWAYS BE FOLLOWED TO REDUCE THE RISK OF PERSONAL INJURY, INCLUDING THE FOLLOWING:

READ ALL INSTRUCTIONS.

- For personal safety and proper operation and maintenance of the tool, read this instruction manual before using the tool.
 - Use the tool only with the Makita genuine fuel cell.
 - Never use the tool in enclosed or poorly ventilated spaces.
 - Always wear safety glasses to protect your eyes from dust or nail injury.
- WARNING:**
It is an employer's responsibility to enforce the use of safety eye protection equipment by the tool operators and by other persons in the immediate working area.
- For Australia and New Zealand only Always wear safety glasses and face shield to protect your eyes from dust or nail injury. The safety glasses and the face shield should conform with the requirements of AS/ NZS 1336.

WARNING:

It is an employer's responsibility to enforce the use of safety eye protection equipment by the tool operators and by other persons in the immediate working area.

(Fig. 1)

- Wear hearing protection to protect your ears against exhaust noise and head protection. Also wear light but not loose clothing. Sleeves should be buttoned or rolled up. No necktie should be worn.
- Rushing the job or forcing the tool is dangerous. Handle the tool carefully. Do not operate when under the influence of alcohol, drugs or the like.
- General Tool Handling Guidelines:
 - (1) Always assume that the tool contains fasteners.
 - (2) Do not point the tool toward yourself or anyone whether it contains fasteners or not.
 - (3) Do not activate the tool unless the tool is placed firmly against the workpiece.
 - (4) Respect the tool as a working implement.
 - (5) No horseplay.
 - (6) Do not hold or carry the tool with a finger on the trigger.
 - (7) Do not load the tool with fasteners when any one of the operating controls is activated.
 - (8) Do not operate the tool with any power source other than that specified in the tool operating/ safety instructions.
- An improperly functioning tool must not be used.
- Sparks sometimes fly when the tool is used. Do not use the tool near volatile, flammable materials such as gasoline, thinner, paint, gas, adhesives, etc.; they will ignite and explode, causing serious injury.
- The area should be sufficiently illuminated to assure safe operations. The area should be clear and litter-free. Be especially careful to maintain good footing and balance.
- Only those involved in the work should be in the vicinity. Children especially must be kept away at all times.
- There may be local regulations concerning noise which must be complied with by keeping noise levels within prescribed limits. In certain cases, shutters should be used to contain noise.
- Do not play with the contact element: it prevents accidental discharge, so it must be kept on and not removed. Securing the trigger in the ON position is also very dangerous. Never attempt to fasten the trigger. Do not operate a tool if any portion of the tool operating controls is inoperable, disconnected, altered, or not working properly.
- Always check the tool for its overall condition and loose screws before operation. Tighten as required.
- Make sure all safety systems are in working order before operation. The tool must not operate if only the trigger is pulled or if only the contact arm is pressed against the wood. It must work only when both actions are performed. Test for possible faulty operation with nails unloaded and the pusher in fully pulled position.
- Check walls, ceilings, floors, roofing and the like carefully to avoid possible electrical shock, gas leakage, explosions, etc. caused by striking live wires, conduits or gas pipes.
- Use only nails specified in this manual. The use of any other nails may cause malfunction of the tool.
- Never use fastener driving tools marked with the symbol "Do not use on scaffoldings, ladders" for specific application for example:
 - when changing one driving location to another involves the use of scaffoldings, stairs, ladders, or ladder alike constructions, e.g. roof laths;
 - closing boxes or crates;
 - fitting transportation safety systems e.g. on vehicles and wagons.
- Do not permit those uninstructed to use the tool.
- Make sure no one is nearby before nailing. Never attempt to nail from both the inside and outside at the same time. Nails may rip through and/or fly off, presenting a grave danger.
- Watch your footing and maintain your balance with the tool. Make sure there is no one below when working in high locations to prevent danger if there is sudden jerking or catching.
- On rooftops and other high locations, nail as you move forward. It is easy to lose your footing if you nail while inching backward. When nailing against perpendicular surface, nail from the top to the bottom. You can perform nailing operations with less fatigue by doing so.
- A nail will be bent or the tool can become jammed if you mistakenly nail on top of another nail or strike a knot in the wood. The nail may be thrown and hit someone, or the tool itself can react dangerously. Place the nails with care.
- Do not point the ejection port at anyone in the vicinity. Keep hands and feet away from the ejection port area.
- Never carry the tool with your finger on the trigger or hand it to someone in this condition. Accidental firing can be extremely dangerous.
- Handle the tool carefully, as there is high pressure inside the tool that can be dangerous if a crack is caused by rough handling (dropping or striking). Do not attempt to carve or engrave on the tool.
- Stop nailing operations immediately if you notice something wrong or out of the ordinary with the tool.
- Always remove the fuel cell, the battery cartridge and all of the nails:
 - (9) When unattended.
 - (10) Before performing any maintenance or repair.
 - (11) Before cleaning a jam.
 - (12) Before moving the tool to a new location.
- Perform cleaning and maintenance right after finishing the job. Keep the tool in tip-top condition. Lubricate moving parts to prevent rusting and minimize friction-related wear. Wipe off all dust from the parts.
- Do not modify tool without authorization from Makita.
- Ask Makita's Authorized service centers for periodical inspection of the tool.
- To maintain product SAFETY and RELIABILITY, maintenance and repairs should be performed by Makita Authorized Service Centers, always using Makita replacement parts.

- Do not attempt to keep the trigger contact element depressed with tape or wire. Death or serious injury may occur.
- Always check contact element as instructed in this manual. Nails may be driven accidentally if the safety mechanism is not working correctly.

SAVE THESE INSTRUCTIONS.

ENC007-2

IMPORTANT SAFETY INSTRUCTIONS

FOR BATTERY CARTRIDGE

1. **Before using battery cartridge, read all instructions and cautionary markings on (1) battery charger, (2) battery, and (3) product using battery.**
2. **Do not disassemble battery cartridge.**
3. **If operating time has become excessively shorter, stop operating immediately. It may result in a risk of overheating, possible burns and even an explosion.**
4. **If electrolyte gets into your eyes, rinse them out with clear water and seek medical attention right away. It may result in loss of your eyesight.**
5. **Do not short the battery cartridge:**
 - (1) **Do not touch the terminals with any conductive material.**
 - (2) **Avoid storing battery cartridge in a container with other metal objects such as nails, coins, etc.**
 - (3) **Do not expose battery cartridge to water or rain. A battery short can cause a large current flow, overheating, possible burns and even a breakdown.**
6. **Do not store the tool and battery cartridge in locations where the temperature may reach or exceed 50°C (122°F).**
7. **Do not incinerate the battery cartridge even if it is severely damaged or is completely worn out. The battery cartridge can explode in a fire.**
8. **Be careful not to drop or strike battery.**

SAVE THESE INSTRUCTIONS.

Tips for maintaining maximum battery life

1. **Charge the battery cartridge before completely discharged.**
Always stop tool operation and charge the battery cartridge when you notice less tool power.
2. **Never recharge a fully charged battery cartridge. Overcharging shortens the battery service life.**
3. **Charge the battery cartridge with room temperature at 10°C - 40°C (50°F - 104°F). Let a hot battery cartridge cool down before charging it.**

Overview of the nailer (Fig. 2)

FUNCTIONAL DESCRIPTION

CAUTION:

- Always be sure to remove the fuel cell, the battery cartridge and nails before adjusting or checking function on the tool.

Installing or removing battery cartridge (Fig. 3)

- Always switch off the tool before insertion or removal of the battery cartridge.
- To remove the battery cartridge, withdraw it from the tool while pressing the button on the side of the cartridge as shown in the figure. (Fig. 4)
- To insert the battery cartridge, hold it so that the battery cartridge front shape fits to that of the battery installment opening and slip it into place. Always insert it all the way until it locks in place with a little click. If not, it may accidentally fall out of the tool, causing injury to you or someone around you.
- Do not use force when inserting the battery cartridge. If the cartridge does not slide in easily, it is not being inserted correctly.

Fuel cell

Attaching the metering valve to the fuel cell (Fig. 5)

Detach the cap (in case the metering valve is provided with the cap). (Fig. 6)

Push in the front edge. (Fig. 7)

Push in the rear edge until it seats.

Inserting the fuel cell (Fig. 8)

Push up and pull the fuel cover to open. (Fig. 9)

Insert the fuel cell directing the jet nozzle of the metering valve toward the adaptor. (Fig. 10)

Insert the jet nozzle into the small hole of the adapter properly. (Fig. 11)

Put the fuel cover over the metering valve and push it down to latch.

Adjusting the nailing depth

CAUTION:

- Remove the fuel cell, the battery cartridge and nails before adjusting the depth of nailing. (Fig. 12)
With the hex wrench, loosen two screws and move the contact element. Retighten screws firmly.

Indication lamp

Color of the indication lamp means the followings.

Blinking green: Normal status

Blinking red: Need to recharge the battery cartridge

Lighting-up-red: Recharge the battery cartridge. Nailing cannot be performed due to no remaining battery capacity.

Blinking orange after blinking green and red

alternately: Fault detection is running. Remove and reinsert the battery cartridge to reset. If fault detection is running again, it is malfunction condition.

Hook (Fig. 13)

The hook is convenient for hanging the tool temporarily. The hook can be set in two positions according to where the tool will be hung.

To change the hook position, contract it at its foot by pushing in from both sides and shift to another position.

ASSEMBLY

CAUTION:

- Always remove the fuel cell and the battery cartridge.

Loading the nailer (Fig. 14)

Insert a strip of nails into the slit in the rear of the magazine. (Fig. 15)

Pull the Pusher Lever until the rear of the Magazine and return it to the end of the strip gently.

Removing nails (Fig. 16)

Pull the pusher lever and push the pusher button to release the nail supporter, and then return the pusher lever to the top pushing the pusher button.

Slide the nails toward the rear of the magazine and remove them out.

OPERATION

CAUTION:

- Make sure all safety systems are in working order before operation. (Fig. 17)
1. To drive a nail, place the contact element against the workpiece.

The fan motor is activated, fuel gas is injected into combustion chamber and mixed with air by the fan.

(Fig. 18)

2. Hold the contact element pressing firmly and pull the trigger.

Fuel gas is combusted and the nail is driven.

3. Further driving can be initiated only after both the contact element and the trigger are released

Anti dry fire mechanism

This is the mechanism that the tool prevents to be fired without nail.

Dry fire prevention automatically sets up when the rest of nails get to last 4-7 pieces.

Jammed nailer

CAUTION:

- Always be sure to remove the fuel cell and the battery cartridge before clearing a jam.

When the nailer becomes jammed, do as follows.

1. Remove the fuel cell, the battery cartridge and nails. (Fig. 19)
2. Loosen the (2) magazine mounting screws with the hex wrench. (Fig. 20)
3. Pull the handle/magazine away from the nose of the tool and clear jam.
4. Realign the handle/magazine to the nose and tighten mounting screws.
5. Reload a strip of nails.

WARNING:

- Make sure that the magazine mounting screws are tight and the magazine is tight to nose. Attempting to fire tool with a loose magazine will result in loss of nail control, damage to the tool or nail discharge toward operator.

MAINTENANCE

CAUTION:

- Always remove the fuel cell, the battery cartridge and nails before attempting to perform inspection or maintenance.

Cleaning the air filter (Fig. 21)

Press slightly up the fuel cover and pivot it open. And then remove the filter cover and simply lift out the filter. Tap the filter lightly to remove any dust. Soap and water restores the filter to an almost new condition.

Maintenance after daily work

At the end of daily work, conduct an end-of-workday routine.

These simple steps are based on maintaining the safety and performance of Makita Cordless Clipped Head Framing Nailer.

Before leaving the work site:

1. Remove the battery cartridge and store in tool-carrying case. Always use the Cordless Clipped Head Framing Nailer case for transporting and storing the tool.
2. Dispose of all empty fuel cells. Remember to dispose of these cells where they will not be found by children, crushed, punctured or burned.

When you get home:

- (1) Place the battery cartridge in its charger if it needs charging as indicated by the red indication lamp near the handle.
- (2) Wipe your Cordless Clip Head Framing Nailer with a clean, soft cloth.
- (3) Check the filter and clean if it is dusty.

To maintain product SAFETY and RELIABILITY, repairs, any other maintenance or adjustment should be performed by Makita Authorized or Factory Service Centers, always using Makita replacement parts.

ACCESSORIES

CAUTION:

- These accessories or attachments are recommended for use with your Makita tool specified in this manual. The use of any other accessories or attachments might present a risk of injury to persons. Only use accessory or attachment for its stated purpose.

If you need any assistance for more details regarding these accessories, ask your local Makita Service Center.

- Nails
- Safety goggles
- Fuel cell
- Cleaning kit
- Various type of Makita genuine batteries and chargers

For European countries only

Noise and Vibration

ENG045-2

The typical A-weighted noise levels are

sound pressure level: 89 dB (A)

sound power level: 102 dB (A).

Wear ear protection.

The typical weighted root mean square acceleration value is not more than 2.5 m/s².

Uncertainty (K): 1.5 m/s²

These values have been obtained according to EN792.

EC-DECLARATION OF CONFORMITY

Model; GN900

ENH023-1

We declare under our sole responsibility that this product

is in compliance with the following standards of

standardized documents;

EN792, EN60745 and EN55014 in accordance with

Council Directives, 98/37/EC, 2004/108/EC.

CE 2008



Tomoyasu Kato
Director

Responsible Manufacturer:

Makita Corporation

3-11-8, Sumiyoshi-cho, Anjo, Aichi, JAPAN

Authorized Representative in Europe:

Makita International Europe Ltd.

Michigan Drive, Tongwell, Milton Keynes, Bucks MK15

8JD, ENGLAND

Descriptif

- | | | |
|---------------------------------------|---------------------------|--------------------------|
| 1. Lunettes de sécurité | 7. Bouton-poussoir | 14. Coiffe |
| 2. Visière | 8. Levier poussoir | 15. Tuyère d'éjection |
| 3. Batterie | 9. Magasin | 16. Vis |
| 4. Capuchon du réservoir de carburant | 10. Dispositif de contact | 17. Fermoir |
| 5. Gâchette | 11. Clé hexagonale | 18. Couverture du filtre |
| 6. Voyant | 12. Bouton | 19. Filtre |
| | 13. Soupape de dosage | |

SPÉCIFICATIONS

Modèle	GN900
Longueur des clous x diamètre de la tige	Longueur des clous: 50 mm à 90 mm D: 2,9 mm à 3,3 mm
Capacité de clouage	40 clous (1 bande)
Angle intermédiaire des clous (en degrés)	34
Style de la tête des clous	À tête tronquée
Dimensions (L X H X P)	321 mm x 108 mm x 368 mm
Poids net	3,2 kg
Tension nominale	7,2 V C.C.

- Étant donné l'évolution constante de notre programme de recherche et de développement, les spécifications contenues dans ce manuel sont sujettes à modification sans préavis.
- Remarque: les spécifications peuvent varier d'un pays à l'autre.

Symboles

END107-3

Les symboles utilisés pour l'outil sont indiqués ci-dessous. Assurez-vous d'avoir bien compris leur signification avant d'utiliser l'outil.



..... Utilisez l'outil uniquement dans des zones ventilées pour éviter tout risque de nausées et de perte de connaissance. N'utilisez jamais l'outil dans des atmosphères combustibles. L'échappement de l'outil peut entraîner la combustion de matériaux inflammables.



..... N'utilisez pas l'outil sur un échafaudage ou une échelle.

Utilisations

ENE0591

L'outil est prévu pour des travaux préliminaires en intérieur, tels que la fixation de solives de plancher ou de chevrons communs et la réalisation de charpentes d'habitation en 2 "x 4".

CONSIGNES DE SÉCURITÉ IMPORTANTES

ENB111-2

AVERTISSEMENT: LORS DE L'UTILISATION DE CET OUTIL, VOUS DEVEZ TOUJOURS PRENDRE DES PRÉCAUTIONS ÉLÉMENTAIRES EN MATIÈRE DE SÉCURITÉ POUR RÉDUIRE LES RISQUES DE BLESSURE. CES PRÉCAUTIONS COMPRENNENT LES SUIVANTES:

LISEZ TOUTES LES INSTRUCTIONS.

- Pour votre propre sécurité et pour assurer le bon fonctionnement et la maintenance de l'outil, veuillez lire ce manuel d'instructions avant d'utiliser l'outil.

- Utilisez l'outil uniquement avec la pile combustible Makita d'origine.
- N'utilisez jamais l'outil dans des espaces confinés ou mal ventilés.
- Portez toujours des lunettes de sécurité pour protéger vos yeux du contact de la poussière ou d'un clou.
AVERTISSEMENT:
L'employeur a la responsabilité d'imposer le port d'un dispositif de protection des yeux aux utilisateurs de l'outil et à toute personne présente dans la zone de travail.
- Pour l'Australie et la Nouvelle-Zélande uniquement
Portez toujours des lunettes de sécurité et une visière pour protéger vos yeux du contact de la poussière ou d'un clou. Les lunettes de sécurité et la visière doivent être conformes aux exigences de la norme AS/NZS 1336.
AVERTISSEMENT:
L'employeur a la responsabilité d'imposer le port d'un dispositif de protection des yeux aux utilisateurs de l'outil et à toute personne présente dans la zone de travail. **(Fig. 1)**
- Portez une protection auditive pour protéger vos oreilles du bruit de l'échappement et portez un casque de sécurité. Portez également des vêtements légers mais non amples. Veuillez boutonner ou rouler vos manches. Ne portez pas de cravate.
- Il est dangereux de travailler trop vite ou d'appliquer une charge de travail excessive à l'outil. Manipulez l'outil avec précaution. N'utilisez pas l'outil si vous avez consommé de l'alcool, une drogue ou des médicaments, etc.
- Conseils généraux pour l'utilisation de l'outil:
 - (1) Gardez toujours à l'esprit que l'outil contient des clous.
 - (2) L'outil ne doit jamais être pointé vers vous-même ou vers une autre personne, qu'il contienne ou non des clous.
 - (3) Ne mettez pas l'outil en marche avant de l'avoir solidement placé sur la pièce à travailler.
 - (4) Respectez votre outil en tant qu'instrument de travail.
 - (5) Évitez tout chahut.
 - (6) L'outil ne doit jamais être saisi ou transporté en posant un doigt sur la gâchette.
 - (7) Ne mettez jamais de clous dans l'outil alors que l'une de ses commandes est activée.
 - (8) Ne branchez jamais l'outil sur une source d'alimentation autre que celle spécifiée dans les instructions d'utilisation/sécurité qui l'accompagnent.
- Tout outil défectueux ne doit pas être utilisé.
- Des étincelles s'échappent parfois de l'outil pendant son utilisation. N'utilisez pas l'outil près de substances ou matériaux volatiles ou inflammables tels que l'essence, le diluant, la peinture, le gaz, les adhésifs, etc. Ils risqueraient de prendre feu, d'exploser et de causer une blessure grave.
- L'aire de travail doit être suffisamment éclairée pour assurer la sécurité du travail. L'aire de travail doit être maintenue propre et exempte de déchets. Veillez particulièrement à maintenir une bonne assise et une bonne position d'équilibre.
- Seules les personnes qui participent au travail doivent pénétrer dans la zone de travail. Les enfants, tout particulièrement, doivent être constamment maintenus à l'écart.
- Il se peut que des réglementations locales s'appliquent concernant les niveaux de bruit autorisés. Veuillez les respecter. Dans certains cas, des volets doivent être installés pour réduire le bruit.
- Ne jouez pas avec le dispositif de contact: il empêche les décharges accidentelles, donc il doit être gardé activé et ne pas être désactivé. Il est également très dangereux de fixer la gâchette en position de marche. Ne tentez jamais d'immobiliser la gâchette. N'utilisez jamais un outil dont l'une des commandes est inutilisable, déconnectée, modifiée ou ne fonctionne pas correctement.
- Avant d'utiliser l'outil, assurez-vous qu'il est en bon état et qu'aucune de ses vis n'est desserrée. Le cas échéant, serrez les vis.
- Assurez-vous que tous les dispositifs de sécurité sont en état de fonctionner avant d'utiliser l'outil. L'outil ne doit pas s'activer si vous appuyez uniquement sur la gâchette ou si vous appuyez simplement le dispositif de contact contre le bois. Il ne doit s'activer que lorsque ces deux actions sont exécutées. Recherchez un éventuel dysfonctionnement en effectuant un test avec des clous non chargés et le poussoir en position entièrement tiré.
- Pour éviter tout risque de choc électrique, de fuite de gaz, d'explosion, etc., provoqué par le contact avec des fils dénudés, des conduites ou des tuyaux de gaz, vérifiez les murs, les plafonds, le plancher, le toit, etc.
- N'utilisez que les clous spécifiés dans ce manuel. L'outil risque de mal fonctionner si vous utilisez tout autre type de clou.
- N'utilisez jamais les cloueuses qui portent le symbole « Ne pas utiliser sur des échafaudages ou échelles » pour des travaux spécifiques, comme par exemple:
 - lorsque la modification de la position de clouage implique l'utilisation d'un échafaudage, d'un escalier, d'une échelle, etc., pour clouer des lattes de toit;
 - fermer des boîtes ou des caisses;
 - installer des dispositifs de sécurité pour le transport, par exemple sur des véhicules ou des wagons.
- Seules les personnes ayant pris connaissance du fonctionnement de l'outil doivent être autorisées à l'utiliser.
- Avant de procéder au clouage, assurez-vous que personne à proximité. N'essayez jamais de clouer simultanément l'intérieur et l'extérieur d'une pièce. Cela est très dangereux, car les clous risquent alors de défoncer la pièce et/ou d'être projetés.
- Regardez où vous posez les pieds et assurez-vous d'un bon équilibre pendant l'utilisation de l'outil. Assurez-vous que personne ne se trouve au-dessous de vous lorsque vous travaillez dans un endroit élevé afin d'éviter tout risque en cas de secousse ou de coincement.

- Sur les toits et autres endroits élevés, clouez en vous déplaçant vers l'avant. Vous pouvez facilement perdre pied si vous clouez en vous déplaçant à reculons. Lorsque vous clouez sur une surface verticale, faites-le du haut vers le bas. De cette façon le travail de clouage sera moins exigeant physiquement.
- Le clou risque de se plier ou l'outil de se bloquer si vous clouez par inadvertance dans un nœud ou sur un autre clou. Le clou risque alors d'être projeté et de frapper quelqu'un, ou bien l'outil lui-même risque de réagir de manière dangereuse. Choisissez l'emplacement des clous avec soin.
- Ne pointez jamais la sortie d'éjection vers une personne située à proximité. Gardez les mains et les pieds à l'écart de la zone de la sortie d'éjection.
- Ne transportez pas l'outil et ne le donnez pas à quelqu'un en laissant le doigt sur la gâchette. Le déclenchement accidentel de l'outil peut être extrêmement dangereux.
- Manipulez l'outil prudemment, car la pression élevée à l'intérieur de l'outil représente un danger si une fissure est provoquée par une manipulation brusque (si vous échappez ou heurtez l'outil). Ne tentez jamais de tailler ou graver une inscription sur l'outil.
- Cessez immédiatement le clouage si vous notez une anomalie ou un fonctionnement inhabituel de l'outil.
- Retirez toujours la pile combustible, la batterie et tous les clous:
 - (9) Lorsque l'outil est laissé sans surveillance.
 - (10) Avant d'effectuer tout travail de maintenance ou de réparation sur l'outil.
 - (11) Avant de réparer un blocage.
 - (12) Avant de déplacer l'outil vers un autre lieu.
- Procédez au nettoyage et à la maintenance de l'outil une fois le travail terminé. Maintenez l'outil en excellente condition. Lubrifiez les pièces mobiles pour éviter qu'elles ne rouillent et pour limiter l'usure liée à la friction. Retirez toute poussière déposée sur les pièces.
- Ne modifiez pas l'outil sans l'autorisation de Makita.
- Confiez régulièrement l'outil à un centre de service après-vente agréé Makita pour le faire inspecter.
- Pour maintenir la SÉCURITÉ et la FIABILITÉ de l'outil, sa maintenance et ses réparations doivent être effectuées dans un centre de service après-vente agréé Makita, exclusivement avec des pièces de rechange Makita.
- N'essayez pas de garder le dispositif de contact de la gâchette enfoncé à l'aide de ruban ou de fil. Il y a risque de décès ou de blessure grave.
- Vérifiez toujours le dispositif de contact en suivant les instructions du présent manuel. Des clous risquent d'être éjectés accidentellement si le mécanisme de sécurité ne fonctionne pas correctement.

CONSERVEZ CES INSTRUCTIONS.

ENC007-2

CONSIGNES DE SÉCURITÉ IMPORTANTES

POUR LA BATTERIE

1. **Avant d'utiliser la batterie, veuillez lire toutes les instructions et tous les avertissements inscrits sur (1) le chargeur, (2) la batterie et (3) l'appareil alimenté par la batterie.**
2. **Ne démontez pas la batterie.**
3. **Cessez immédiatement d'utiliser l'outil si la durée de fonctionnement devient excessivement courte. Il y a risque de surchauffe, de brûlures, voire d'explosion.**
4. **Si l'électrolyte pénètre dans vos yeux, rincez-les à l'eau claire et consultez immédiatement un médecin. Il y a risque de perte de la vue.**
5. **Évitez de court-circuiter la batterie:**
 - (1) **Ne touchez les bornes avec aucun matériau conducteur.**
 - (2) **Éviter de ranger la batterie dans un contenant où se trouvent d'autres objets métalliques tels que des clous, pièces de monnaie, etc.**
 - (3) **N'exposez pas la batterie à l'eau ou à la pluie. Un court-circuit de la batterie pourrait provoquer un fort courant, une surchauffe, parfois des brûlures et même une panne.**
6. **Ne rangez pas l'appareil et la batterie dans des endroits où la température risque d'atteindre ou de dépasser 50°C (122°F).**
7. **Ne jetez pas la batterie au feu même si elle est sérieusement endommagée ou complètement épuisée. La batterie peut exploser au contact du feu.**
8. **Prenez garde de laisser tomber ou de heurter la batterie.**

CONSERVEZ CES INSTRUCTIONS.

Conseils pour assurer la durée de vie optimale de la batterie

1. **Rechargez la batterie avant qu'elle ne soit complètement épuisée. Arrêtez toujours l'outil et rechargez la batterie quand vous constatez que la puissance de l'outil diminue.**
2. **Ne rechargez jamais une batterie complètement chargée. La surcharge réduit la durée de service de la batterie.**
3. **Chargez la batterie lorsque la température de la pièce est comprise entre 10°C et 40°C (50°F et 104°F). Si une batterie est chaude, laissez-la refroidir avant de la charger.**

Vue d'ensemble de la cloueuse (Fig. 2)

DESCRIPTION DU FONCTIONNEMENT

ATTENTION:

- Veuillez toujours à retirer la pile combustible, la batterie et les clous avant d'utiliser la fonction de réglage ou de contrôle de l'outil.

Installation et retrait de la batterie (Fig. 3)

- Mettez toujours l'appareil hors tension avant d'insérer ou de retirer la batterie.
- Pour retirer la batterie, sortez-la de l'outil tout en appuyant sur le bouton situé sur le côté de la batterie, comme indiqué sur la figure. (Fig. 4)
- Pour insérer la batterie, tenez-la de sorte que la forme de l'avant de la batterie s'ajuste à celle de l'ouverture aménagée de la batterie et faites-la glisser en position. Insérez-la toujours bien à fond, jusqu'à ce qu'elle se verrouille en émettant un léger clic. Dans le cas contraire, la batterie risque de tomber accidentellement de l'appareil, en vous blessant ou en blessant une personne se trouvant près de vous.
- N'appliquez pas une force excessive lors de l'insertion de la batterie. Si la batterie ne glisse pas aisément, c'est qu'elle n'est pas insérée correctement.

Pile combustible

Fixation de la soupape de dosage à la pile combustible (Fig. 5)

Détachez la coiffe (si la soupape de dosage est fournie avec une coiffe). (Fig. 6)

Appuyez sur le bord avant. (Fig. 7)

Appuyez sur le bord arrière jusqu'à ce qu'il se mette en place.

Insertion de la pile combustible (Fig. 8)

Soulevez et tirez sur le capuchon du réservoir de carburant pour l'ouvrir. (Fig. 9)

Insérez la pile combustible en orientant la tuyère d'éjection de la soupape de dosage vers l'adaptateur. (Fig. 10)

Insérez correctement la tuyère d'éjection dans le petit orifice de l'adaptateur. (Fig. 11)

Placez le capuchon du réservoir de carburant sur la soupape de dosage et enfoncez-le complètement pour qu'il s'enclenche.

Réglage de la profondeur de clouage

ATTENTION:

- Retirez la pile combustible, la batterie et les clous avant de régler la profondeur du clouage. (Fig. 12)

À l'aide de la clé hexagonale, desserrez deux vis et déplacez le dispositif de contact. Serrez à nouveau fermement les vis.

Voyant

Signification de la couleur du voyant:

Vert clignotant: état normal

Rouge clignotant: la batterie doit être rechargée
Rouge fixe: rechargez la batterie. Il n'est pas possible de procéder au clouage car la batterie est déchargée.

Orange clignotant après vert et rouge clignotant en alternance: la détection des pannes est activée. Retirez et réinsérez la batterie pour réinitialiser l'outil. Si la détection des pannes se déclenche à nouveau, il s'agit d'un dysfonctionnement.

Fermeoir (Fig. 13)

L'outil est équipé d'un fermeoir pratique qui permet de le suspendre temporairement. Le fermeoir peut être réglé selon deux positions en fonction de l'endroit où l'outil sera suspendu.

Pour modifier la position du fermeoir, repliez son pied en appuyant dessus depuis les deux côtés et changez sa position.

ASSEMBLAGE

ATTENTION:

- Retirez toujours la pile combustible et la batterie.

Chargement de la cloueuse (Fig. 14)

Insérez une bande de clous dans la fente à l'arrière du magasin. (Fig. 15)

Tirez sur le levier poussoir jusqu'à l'arrière du magasin et laissez-le revenir doucement à l'extrémité de la bande.

Retrait des clous (Fig. 16)

Tirez sur le levier poussoir et appuyez sur le bouton-poussoir pour relâcher le support de la cloueuse, puis laissez le levier poussoir revenir dans la partie supérieure en appuyant sur le bouton-poussoir.

Faites coulisser les clous vers l'arrière du magasin et retirez-les.

UTILISATION

ATTENTION:

- Assurez-vous que tous les dispositifs de sécurité sont en état de fonctionner avant d'utiliser l'outil. (Fig. 17)

1. Pour insérer un clou, placez le dispositif de contact contre la pièce à travailler.

Le moteur du ventilateur est activé, le gaz de chauffe est injecté dans la chambre de combustion et mélangé à l'air par le ventilateur. (Fig. 18)

2. Appuyez fermement sur le dispositif de contact et tirez sur la gâchette.

Le gaz de chauffe est brûlé et le clou est enfoncé.

3. Vous pouvez l'enfoncer davantage uniquement après avoir relâché le dispositif de contact et la gâchette.

Mécanisme de déclenchement antisiccatif

Ce mécanisme permet d'empêcher le déclenchement de l'outil sans clou.

La prévention antisiccatif se déclenche lorsqu'il reste entre 4 et 7 clous.

Cloueuse bloquée

ATTENTION:

- Veillez toujours à retirer la pile combustible et la batterie avant de débloquer une cloueuse.

En cas de blocage de la cloueuse, procédez comme suit:

1. Retirez la pile combustible, la batterie et les clous. (Fig. 19)
2. Desserrez les (2) vis de fixation du magasin à l'aide de la clé hexagonale. (Fig. 20)
3. Éloignez la poignée/le magasin du nez de l'outil et débloquez ce dernier.
4. Réalignez la poignée/le magasin sur le nez et serrez les vis de fixation.
5. Rechargez une bande de clous.

AVERTISSEMENT:

- Assurez-vous que les vis de fixation du magasin sont serrés et que le magasin est serré sur le nez. Toute tentative de déclenchement de l'outil alors que le magasin est lâche risque de provoquer une perte de contrôle des clous, un endommagement de l'outil ou le déchargement accidentel des clous vers l'opérateur.

MAINTENANCE

ATTENTION:

- Retirez toujours la pile combustible, la batterie et les clous avant de tenter de procéder au contrôle ou à la maintenance de l'outil.

Nettoyage du filtre à air (Fig. 21)

Appuyez légèrement sur le capuchon du réservoir de carburant et faites-le pivoter pour l'ouvrir. Ensuite, retirez le couvercle du filtre et soulevez simplement le filtre pour l'extraire. Tapez légèrement sur le filtre pour retirer la poussière. Utilisez du savon et de l'eau pour redonner son éclat au filtre.

Maintenance suite au travail effectué

Une fois le travail terminé, procédez aux tâches habituelles suivantes.

Ces étapes simples permettent de préserver la sécurité et les performances de la cloueuse à charpente clous à tête tronquée sans fil Makita.

Avant de quitter le lieu dans lequel vous travaillez:

1. Retirez la batterie et rangez-la dans la valise de transport de l'outil. Utilisez toujours la valise de la cloueuse à charpente clous à tête tronquée sans fil pour transporter et ranger l'outil.
2. Jetez toutes les piles combustibles vides. Veillez à jeter ces piles de sorte qu'elles ne soient pas découvertes par des enfants, écrasées, perforées ou brûlées.

Lorsque vous rentrez chez vous:

- (1) Si la batterie doit être rechargée, comme indiqué par le témoin rouge situé près de la poignée, placez-la dans son chargeur.
- (2) Essayez votre cloueuse à charpente clous à tête tronquée sans fil à l'aide d'un chiffon doux et propre.

(3) Vérifiez le filtre et nettoyez-le s'il est poussiéreux. Pour assurer la SÉCURITÉ et la FIABILITÉ du produit, toute réparation et tout travail d'entretien ou de réglage doivent être effectués par un Centre de service après-vente agréé Makita, avec des pièces de rechange Makita.

ACCESSOIRES

ATTENTION:

- Ces accessoires ou pièces complémentaires sont recommandés pour l'utilisation avec l'outil Makita spécifié dans ce manuel. L'utilisation de tout autre accessoire ou pièce complémentaire comporte un risque de blessures. Utilisez uniquement l'accessoire ou la pièce complémentaire dans le but spécifié.

Pour obtenir plus de détails sur ces accessoires, contactez votre Centre de service après-vente Makita le plus proche.

- Clous
- Lunettes de sécurité
- Pile combustible
- Kit de nettoyage
- Divers types de batteries et chargeurs de marque Makita.

Pour les pays européens uniquement

Bruit et vibration

ENG045-2

Les niveaux de bruit pondéré A typiques sont les suivants: niveau de pression sonore: 89 dB (A)
niveau de puissance sonore: 102 dB (A).

Portez des protections auditives.

La valeur d'accélération quadratique pondérée typique ne dépasse pas 2,5 m/s².

Incertitude (K): 1,5 m/s²

Ces valeurs ont été obtenues selon EN792.

DÉCLARATION DE CONFORMITÉ CE

Modèle; GN900

ENH023-1

Nous déclarons, sous notre entière responsabilité, que ce produit répond aux normes suivantes de documents normalisés;

EN792, EN60745 et EN55014, conformément aux Directives du Conseil, 98/37/CE, 2004/108/CE.

CE 2008



Tomoyasu Kato
Directeur

Fabricant responsable:

Makita Corporation

3-11-8, Sumiyoshi-cho, Anjo, Aichi, JAPON

Représentant agréé en Europe:

Makita International Europe Ltd.

Michigan Drive, Tongwell, Milton Keynes, Bucks MK15 8JD, ANGLETERRE

Erklärung der Gesamtdarstellung

- | | | |
|------------------------|--------------------|------------------|
| 1. Schutzbrille | 8. Druckhebel | 15. Strahldüse |
| 2. Gesichtsschutz | 9. Magazin | 16. Schrauben |
| 3. Akkublock | 10. Kontaktfuß | 17. Einhängeclip |
| 4. Kraftstoffabdeckung | 11. Inbusschlüssel | 18. Filterkappe |
| 5. Auslöser | 12. Taste | 19. Filter |
| 6. Anzeigeleuchte | 13. Dosierventil | |
| 7. Drucktaste | 14. Kappe | |

TECHNISCHE DATEN

Modell	GN900
Nagellänge X Schaftdurchmesser	Nagel L: 50 mm bis 90 mm D: 2,9 bis 3,3 mm
Max. Anzahl Nägel	40 Nägel (1 Band)
Winkel der Nagelsortierung (Grad)	34
Abbildung des Nagelkopfes	Flachkopfnagel
Abmessungen (L x H x B)	321 mm X 108 mm X 368 mm
Nettogewicht	3,2 kg
Nennspannung	7,2 V Gleichspannung

- Aufgrund unserer weiterführenden Forschungen und Entwicklungen sind Änderungen an den hier angegebenen Technischen Daten ohne Vorankündigung vorbehalten.
- Hinweis: Die Technischen Daten können in einzelnen Ländern voneinander abweichen.

Symbole

END107-3

Im Folgenden sind die im Zusammenhang mit diesem Werkzeug verwendeten Symbole dargestellt. Machen Sie sich vor der Benutzung des Werkzeugs unbedingt mit diesen Symbolen vertraut.



..... Lesen Sie die vorliegende

Betriebsanleitung.



..... Behälter steht unter Druck. Setzen Sie den Behälter keinen Temperaturen über 50°C (z.B. direkte Sonneneinstrahlung) aus. Lagern Sie den Behälter an einem gut belüfteten Ort.



..... Verwenden Sie das Werkzeug nur im Freien oder in gut belüfteten Räumen. Atmen Sie das Gas nicht ein.



..... Verwenden Sie in der Nähe weder Flammen noch Sprays auf erhitzten Flächen. Bei Nichtbeachtung kann sich ein brennbares bzw. explosives Dampf-Luft-Gemisch bilden.



..... Beschädigen, Durchstechen oder Verbrennen Sie den Behälter nach der Verwendung nicht.



..... Tragen Sie eine Schutzbrille.



..... Nehmen Sie Ihre Finger vom Schalter, wenn Sie keine Nägel eintreiben, um ein versehentliches Auslösen zu vermeiden.



..... Verwenden Sie das Werkzeug nur in belüfteten Bereichen, um Übelkeit und Bewusstlosigkeit zu vermeiden. Verwenden Sie das Werkzeug niemals in Umgebungen mit brennbaren Materialien.

Die Werkzeugabgase können die brennbaren Materialien entzünden.



..... Werkzeug nicht auf Gerüsten oder Leitern verwenden!

Verwendungszweck

ENE0591

Das Werkzeug dient dem vorbereitenden Innenausbau, wie dem Befestigen von Deckenträgern oder einfachen Sparren und Rahmenwerken im 2" x 4"-Wohnbau.

WICHTIGE SICHERHEITSGESETZE

ENB111-2

WARNUNG: ZUR VERMEIDUNG VON VERLETZUNGEN SIND BEI DER BENUTZUNG DIESES WERKZEUGS DIE ALLGEMEINEN REGELN DES ARBEITSSCHUTZES UND INSBESONDERE DIE FOLGENDEN ANWEISUNGEN EINZUHALTEN:

LESEN SIE DIESE ANLEITUNG VOLLSTÄNDIG DURCH!

- Um Ihre persönliche Sicherheit, sachgerechten Betrieb und ordnungsgemäße Wartung des Werkzeugs zu gewährleisten, lesen Sie vor der Benutzung des Werkzeugs diese Bedienungsanleitung vollständig durch.

- Verwenden Sie das Werkzeug ausschließlich mit originalen Brennstoffzellen von Makita.
- Verwenden Sie das Werkzeug niemals in geschlossenen oder schlecht belüfteten Räumen.
- Tragen Sie zum Schutz Ihrer Augen vor Staub und Verletzungen durch Nägel stets eine Schutzbrille.
WARNUNG:
Das Durchsetzen des Gebrauchs von Augenschutz durch die Benutzer des Werkzeugs und durch andere Personen im unmittelbaren Arbeitsbereich liegt in der Verantwortung des Arbeitgebers/Auftraggebers.
- Nur für Australien und Neuseeland: Tragen Sie zum Schutz Ihrer Augen vor Verletzungen durch Staub, Schmutz oder Nägel stets eine Schutzbrille und einen Gesichtsschutz. Die Schutzbrille und der Gesichtsschutz müssen die Anforderungen der Regelung AS/NZS 1336 erfüllen.
WARNUNG:
Das Durchsetzen des Gebrauchs von Augenschutz durch die Benutzer des Werkzeugs und durch andere Personen im unmittelbaren Arbeitsbereich liegt in der Verantwortung des Arbeitgebers/Auftraggebers.
(Abb. 1)
- Tragen Sie einen Gehörschutz, um Ihre Ohren vor dem Auslassgeräusch zu schützen, und tragen Sie darüber hinaus einen Kopfschutz. Tragen Sie auch leichte, aber keine weite Kleidung. Ärmel müssen stoffgeknüpft oder hochgerollt sein. Das Tragen einer Krawatte ist unzulässig.
- Ein überhastetes Ausführen der Arbeit und der Gebrauch des Werkzeugs mit zu hohem Kraftaufwand sind gefährlich. Gehen Sie mit dem Werkzeug sorgfältig um. Benutzen Sie das Werkzeug nicht, wenn Sie unter Einfluss von Alkohol, Drogen oder dergleichen stehen.
- Grundsätzliche Richtlinien zur Handhabung des Werkzeugs:
 - (1) Gehen Sie stets davon aus, dass das Werkzeug Nägel enthält.
 - (2) Richten Sie das Werkzeug niemals auf sich selbst oder andere Personen, ganz gleich, ob es Nägel enthält oder nicht.
 - (3) Betätigen Sie das Werkzeug nur, wenn es fest auf das Werkstück aufgesetzt ist.
 - (4) Respektieren Sie das Werkzeug als Arbeitsmittel.
 - (5) Albern Sie nicht herum.
 - (6) Halten oder tragen Sie das Werkzeug nicht mit dem Finger am Auslöser.
 - (7) Laden Sie das Werkzeug nicht mit Nägeln, wenn eines der Bedienelemente aktiviert ist.
 - (8) Betreiben Sie das Werkzeug nur mit der in den Betriebs-/Sicherheitsanweisungen des Werkzeugs angegebenen Energiequelle.
- Ein Werkzeug, das Defekte aufweist, darf nicht verwendet werden.
- Bei der Benutzung des Werkzeugs kann es gelegentlich zu einem Funkenflug kommen. Benutzen Sie das Werkzeug nicht in der Nähe leicht flüchtiger, brennbarer Substanzen wie Benzin, Verdünner, Lack, Gas, Klebstoff usw., weil sich diese Stoffe entzünden und explodieren können, wodurch es zu schweren Verletzungen kommen kann.
- Der Arbeitsplatz muss ausreichend beleuchtet sein, um ein sicheres Arbeiten zu gewährleisten. Der Arbeitsplatz muss sauber und aufgeräumt sein. Achten Sie besonders auf festen Stand und auf Gleichgewicht.
- In der Nähe sollten sich nur die mit der Ausführung der Arbeiten beschäftigten Personen aufhalten. Achten Sie besonders darauf, dass sich keine Kinder in der Nähe befinden.
- Befolgen Sie etwaige örtliche Lärmschutzvorschriften, halten Sie insbesondere die vorgeschriebenen Grenzen für Geräuschpegel ein. In bestimmten Fällen sollte der Lärmpegel mit Hilfe von Jalousien gedämpft werden.
- Gehen Sie mit dem Kontaktfuß sorgfältig um: Dieser Fuß verhindert ein versehentliches Auslösen. Daher muss er stets am Werkzeug verbleiben und darf nicht entfernt werden. Auch das Arretieren des Auslösers in Auslösestellung ist sehr gefährlich. Versuchen Sie niemals, den Auslöser zu arretieren. Benutzen Sie das Werkzeug nicht, wenn eines der Bedienelemente des Werkzeugs funktionsunfähig oder mangelhaft ist oder demontiert oder abgeändert wurde.
- Überprüfen Sie das Werkzeug vor der Benutzung stets auf seinen Allgemeinzustand und auf lockere Schrauben. Ziehen Sie ggf. lockere Schrauben fest.
- Stellen Sie vor der Benutzung des Werkzeugs sicher, dass alle Sicherheitssysteme in funktionsfähigem Zustand sind. Das Werkzeug darf nicht auslösen, wenn nur der Auslöser betätigt oder nur der Kontaktausleger gegen das Holz gedrückt wird. Es darf nur dann auslösen, wenn beide Aktionen durchgeführt werden. Überprüfen Sie das Werkzeug mit leerem Magazin und voll angezogenem Drücker auf möglichen fehlerhaften Betrieb.
- Überprüfen Sie Wände, Decken, Fußböden, Dächer und dergleichen sorgfältig auf möglicherweise dort verlegte Elektrokabel, Gasrohre oder sonstige Rohre und Leitungen, um elektrische Schläge, Gaslecks, Explosionen usw. zu vermeiden.
- Verwenden Sie nur die in dieser Anleitung vorgegebenen Nägel. Bei Verwendung anderer Nägel kann es zu einer Fehlfunktion des Werkzeugs kommen.
- Benutzen Sie Nagler mit der Aufschrift "Nicht auf Gerüsten, Leitern verwenden" niemals für bestimmte Arbeiten wie z. B.:
 - wenn für einen Arbeitsplatzwechsel Gerüste, Treppen, Leitern oder leiterähnliche Konstruktionen wie z. B. Dachlatten erforderlich sind;
 - zum Verschließen von Kisten oder Verschlägen;
 - zum Anbringen von Transportsicherheitssystemen z. B. an Fahrzeugen und Wagen.
- Personen, die nicht entsprechend geschult sind, ist die Benutzung des Werkzeugs ausdrücklich zu untersagen.
- Stellen Sie vor Beginn der Nagelarbeiten sicher, dass sich keine Personen in der Nähe befinden. Führen Sie Nagelarbeiten niemals gleichzeitig von innen und

- außen durch. Nägel können durchlagen und/oder herausfliegen und dabei eine große Gefahr darstellen.
- Achten Sie beim Arbeiten mit dem Werkzeug auf sicheren Stand und Gleichgewicht. Stellen Sie sicher, dass sich bei Arbeiten an hochgelegenen Arbeitsplätzen keine Personen unterhalb Ihres Standorts aufhalten, um Gefahren zu vermeiden, wenn der Luftschlauch plötzlich ruckt oder an Hindernissen hängen bleibt.
 - Bewegen Sie sich beim Nageln auf Dächern und anderen hochgelegenen Orten in Vorwärtsrichtung. Wenn Sie sich rückwärts bewegen, können Sie leicht den Stand verlieren. Nageln Sie bei Arbeiten an senkrechten Flächen von oben nach unten. Das Ausführen von Nagelarbeiten auf diese Weise ist weniger ermüdend.
 - Wenn Sie versehentlich auf einen anderen Nagel oder einen Knoten im Holz treffen, kann sich der Nagel verbiegen oder im Werkzeug verklemmen. Der Nagel kann herausgeschleudert werden und Personen treffen, oder das Werkzeug selbst kann sich gefährlich verhalten. Setzen Sie die Nägel mit Sorgfalt.
 - Richten Sie die Auswurföffnung nicht auf Personen in der Nähe. Halten Sie Hände und Füße vom Bereich der Auswurföffnung fern.
 - Tragen Sie das Werkzeug nicht mit dem Finger am Auslöser, und übergeben Sie es in diesem Zustand auch nicht an andere Personen. Ein versehentliches Auslösen kann äußerst gefährlich sein.
 - Gehen Sie mit dem Werkzeug sorgfältig um. Das Werkzeug steht unter hohem Druck, wodurch ein durch grobe Behandlung (Fallenlassen oder Anstoßen) verursachter Riss eine hohe Gefahr darstellt. Bringen Sie niemals Einritzungen oder Gravuren in das Werkzeug ein.
 - Brechen Sie die Nagelarbeiten sofort ab, wenn Sie einen Defekt oder etwas Ungewöhnliches am Werkzeug feststellen.
 - Entfernen Sie die Brennstoffzelle, den Akkublock sowie alle Nägel.
 - (9) Wenn das Werkzeug unbeaufsichtigt ist.
 - (10) Bevor Sie Wartungs- oder Reparaturarbeiten durchführen.
 - (11) Bevor Sie einen Nagelstau beseitigen.
 - (12) Bevor Sie das Werkzeug zu einem anderen Ort transportieren.
 - Nehmen Sie unmittelbar nach Abschluss der Arbeiten eine Reinigung und Wartung vor. Halten Sie das Werkzeug stets in einwandfreiem Zustand. Schmierien Sie bewegliche Teile, um Rostbildung zu verhindern und Reibungsverlust zu minimieren. Säubern Sie alle Teile von Staub.
 - Nehmen Sie keine Veränderungen am Werkzeug vor, die nicht von Makita genehmigt wurden.
 - Lassen Sie das Werkzeug regelmäßig von autorisierten Makita-Servicecentern überprüfen.
 - Um die SICHERHEIT und die ZUVERLÄSSIGKEIT des Produkts zu gewährleisten, sollten Reparatur- und Wartungsarbeiten ausschließlich von autorisierten Makita-Servicecentern durchgeführt werden, und es

sollten ausschließlich Original-Ersatzteile von Makita verwendet werden.

- Versuchen Sie niemals, das Kontaktelement des Auslösers mittels Klebeband, Draht o.ä. dauerhaft in gedrückter Stellung zu fixieren. Dies kann zu schweren oder gar tödlichen Verletzungen führen.
- Überprüfen Sie stets den Kontaktfuß entsprechend der Vorgaben in diesem Handbuch. Wenn der Sicherheitsmechanismus nicht ordnungsgemäß funktioniert, können unbeabsichtigt Nägel aus dem Werkzeug geschossen werden.

BEWAHREN SIE DIESE ANWEISUNGEN SORGFÄLTIG AUF.

ENC007-2

WICHTIGE SICHERHEITSANWEISUNGEN

FÜR AKKUBLOCK

1. **Lesen Sie vor der Verwendung des Akkublocks alle Anweisungen und Sicherheitshinweise für das Akkuladegerät (1), den Akku (2) und das Produkt (3), für das der Akku verwendet wird.**
2. **Der Akkublock darf nicht zerlegt werden.**
3. **Falls die Betriebsdauer erheblich kürzer wird, beenden Sie den Betrieb umgehend. Andernfalls besteht die Gefahr einer Überhitzung sowie das Risiko möglicher Verbrennungen und sogar einer Explosion.**
4. **Wenn Elektrolyt in Ihre Augen gerät, waschen Sie diese mit klarem Wasser aus und suchen Sie sofort einen Arzt auf. Andernfalls können Sie Ihr Augenlicht verlieren.**
5. **Vermeiden Sie einen Kurzschluss des Akkublocks:**
 - (1) **Die Kontakte des Akkus dürfen nicht mit leitendem Material in Berührung kommen.**
 - (2) **Der Akkublock darf nicht in einem Behälter aufbewahrt werden, in dem sich andere metallischen Gegenstände wie beispielsweise Nägel, Münzen usw. befinden.**
 - (3) **Der Akkublock darf weder Feuchtigkeit noch Regen ausgesetzt werden. Ein Kurzschluss des Akkus kann zu hohem Kriechstrom, Überhitzung, möglichen Verbrennungen und sogar zu einer Zerstörung des Geräts führen.**
6. **Werkzeug und Akkublock dürfen nicht an Orten aufbewahrt werden, an denen Temperaturen von 50°C (122°F) oder höher erreicht werden.**
7. **Selbst wenn der Akkublock schwer beschädigt oder völlig verbraucht ist, darf er nicht angezündet werden. Der Akkublock kann in den Flammen explodieren.**
8. **Lassen Sie den Akku nicht fallen und vermeiden Sie Schläge gegen den Akku.**

BEWAHREN SIE DIESE ANWEISUNGEN SORGFÄLTIG AUF.

Tipps für den Erhalt der maximalen Akkublock-Nutzungsdauer

1. **Laden Sie den Akkublock auf, bevor er ganz entladen ist.**
Sobald Sie eine verringerte Werkzeugleistung bemerken, beenden Sie stets den Betrieb des Werkzeugs und laden Sie den Akkublock auf.
2. **Ein voll aufgeladener Akkublock darf niemals erneut geladen werden. Durch Überladungen wird die Lebensdauer des Akkus verkürzt.**
3. **Laden Sie den Akkublock bei einer Zimmertemperatur von 10°C - 40°C (50°F - 104°F) auf. Lassen Sie einen heißen Akkublock vor dem Aufladen abkühlen.**

Gesamtdarstellung des Naglers (Abb. 2)

FUNKTIONSBESCHREIBUNG

ACHTUNG:

- Entfernen Sie stets die Kraftstoffzellen, den Akkublock und die Nägel, bevor Sie Einstellungen oder eine Funktionsprüfung des Werkzeugs vornehmen.

Montieren und Demontieren des Akkublocks (Abb. 3)

- Schalten Sie das Werkzeug stets aus, bevor Sie den Akkublock einsetzen oder entfernen.
- Zum Entfernen des Akkublocks müssen Sie diesen aus dem Werkzeug herausziehen, während Sie die Taste an der Seite des Blocks verschieben (siehe Abbildung). (Abb. 4)
- Zum Einsetzen des Akkublocks setzen Sie den Akkublock mit der Vorderseite passgerecht auf die Öffnung des Akkufachs auf und schieben Sie den Akkublock in seine Position. Setzen Sie den Block immer ganz ein, bis er mit einem Klick einrastet. Andernfalls kann der Block versehentlich aus dem Werkzeug fallen und Sie oder Personen in der Nähe verletzen.
- Wenden Sie beim Einsetzen des Akkublocks keine Gewalt an. Wenn der Block nicht leicht hineingleitet, wird er nicht richtig eingesetzt.

Kraftstoffzelle

Befestigen des Dosierventils an der Kraftstoffzelle (Abb. 5)

Trennen Sie die Kappe ab (falls das Dosierventil mit Kappe geliefert wird). (Abb. 6)

Drücken Sie die vordere Kante ein. (Abb. 7)

Drücken Sie die hintere Kante bis zum Einrasten ein.

Einsetzen der Kraftstoffzelle (Abb. 8)

Ziehen Sie die Kraftstoffkappe zum Öffnen nach vorn. (Abb. 9)

Setzen Sie die Kraftstoffzelle in Richtung Strahldüse des Dosierventils Richtung Adapter ein. (Abb. 10)

Setzen Sie die Strahldüse ordnungsgemäß in die kleine Öffnung des Adapters ein. (Abb. 11)

Setzen Sie die Kraftstoffkappe auf das Dosierventil und drücken Sie diese zum Einrasten nach unten.

Einstellen der Nageltiefe

ACHTUNG:

- Entfernen Sie die Brennstoffzelle, den Akkublock sowie alle Nägel, bevor Sie die Tiefe der Nagelung einstellen. (Abb. 12)

Lösen Sie mit einem Sechskantschlüssel zwei Schrauben und bewegen Sie das Kontaktelement. Ziehen Sie die Schrauben wieder sicher fest.

Anzeigenleuchte

Die Farbe der Anzeigelampe hat die folgende Bedeutung.

Grün blinkend: Normaler Status

Rot leuchtend: Akkublock muss geladen werden
Rot leuchtend: Aufladen des Akkublocks, mit der verbleibenden Akkuleistung kann keine Nagelung vorgenommen werden.

Orange blinkend, nach abwechselnd grün und rot blinkend: Fehlererkennung wird durchgeführt.

Entnehmen Sie den Akkublock und setzen Sie ihn zum Zurücksetzen wieder ein. Falls die Fehlererkennung erneut ausgeführt wird, liegt eine Fehlfunktion vor.

Einhängeclip (Abb. 13)

Der Haken ist nützlich, wenn Sie das Werkzeug kurzzeitig aufhängen möchten. Der Haken kann in zwei Positionen entsprechend der gewünschten Aufhängung befestigt werden.

Von Ändern der Hakenposition drücken Sie den Haken von beiden Seiten des Fußes zusammen und ziehen Sie ihn an eine andere Position.

MONTAGE

ACHTUNG:

- Entfernen Sie stets die Kraftstoffzelle und den Akkublock.

Laden des Naglers (Abb. 14)

Setzen Sie eine Nagelleiste in den Schlitz an der Rückseite des Magazins ein. (Abb. 15)

Ziehen Sie den Druckhebel bis zur Rückseite des Magazins und führen Sie diesen vorsichtig zurück zum Ende der Leiste.

Entfernen der Nägel (Abb. 16)

Ziehen Sie den Druckhebel und drücken Sie die Drucktaste, um den Nagelträger freizugeben; bringen Sie den Druckhebel zurück zum Anfang, indem Sie die Drucktaste drücken.

Schieben Sie die Nägel Richtung Rückseite des Magazins und nehmen Sie diese heraus.

BETRIEB

ACHTUNG:

- Stellen Sie vor der Benutzung des Werkzeugs sicher, dass alle Sicherheitssysteme in funktionsfähigem Zustand sind. **(Abb. 17)**

1. Zum Eintreiben eines Nagels setzen Sie den Kontaktfuß auf das Werkstück.

Der Ventilatormotor wird ausgelöst, Kraftstoffgas wird in die Verbrennungskammer eingespritzt und mit dem Ventilator mit Luft gemischt. **(Abb. 18)**

2. Halten Sie den Kontaktfuß durch Drücken sicher fest und betätigen Sie anschließend den Auslöser.

Kraftstoffgas wird verbrannt und der Nagel wird eingetrieben.

3. Ein weiterer Eintreibvorgang kann nur ausgelöst werden, wenn sowohl Kontaktelement als auch Auslöser freigegeben werden.

Auslösemechanismus mit Schutzvorrichtung

Durch diesen Mechanismus wird verhindert, dass das Werkzeug ohne Nagel ausgelöst wird.

Diese Auslöseschutzvorrichtung wird automatisch aktiviert, wenn nur noch 4 bis 7 Nägel im Magazin sind.

Blockierter Nagler

ACHTUNG:

- Entfernen Sie stets die Kraftstoffzelle und den Akkublock, bevor Sie eine Blockade lösen. Gehen Sie bei einer Blockierung des Naglers wie folgt vor.

1. Entfernen Sie die Kraftstoffzelle, den Akkublock und die Nägel. **(Abb. 19)**
2. Lösen Sie die Montageschrauben des Magazins (2) mit einem Sechskantschlüssel. **(Abb. 20)**
3. Ziehen Sie den Griff/das Magazin aus dem Vorsprung des Werkzeugs und beheben Sie die Blockierung.
4. Setzen Sie den Griff/das Magazin wieder in den Vorsprung ein und ziehen Sie die Montageschrauben fest.
5. Laden Sie die Nagelleiste wieder.

WARNUNG:

- Überprüfen Sie, dass die Montageschrauben festgezogen sind und sich das Magazin fest im Vorsprung befindet. Das Auslösen der Werkzeugs mit einem losen Magazin führt zum Kontrollverlust über den Nagler, zu Schäden am Nagler oder zur Nagelentladung in Richtung Bediener.

WARTUNG

ACHTUNG:

- Entfernen Sie stets die Brennstoffzelle, den Akkublock sowie alle Nägel, bevor Sie Überprüfungen oder Wartungen vornehmen.

Reinigen des Luftfilters **(Abb. 21)**

Drücken Sie die Kraftstoffkappe leicht nach oben und drehen Sie diese zum Öffnen. Entfernen Sie die Filterabdeckung und entnehmen Sie den Filter. Klopfen

Sie den Filter vorsichtig aus. Nach der Behandlung mit Wasser und Seife wird der Filter wieder wie neu.

Wartungsarbeiten nach der täglichen Arbeit

Führen Sie am Ende der täglichen Arbeiten eine Reinigungsroutine durch.

Diese einfachen Schritte basieren auf dem Erhalten der Sicherheit und Leistungsfähigkeit des Akku-Nagler für entgratete Nägelköpfe von Makita.

Vor Verlassen des Arbeitsplatzes:

1. Entfernen Sie den Akkublock und lagern Sie ihn im Werkzeugkoffer. Verwenden Sie stets den Koffer für den Akku-Nagler zum Transportieren und Lagern des Werkzeugs.
2. Entsorgen Sie alle leeren Kraftstoffzellen. Bedenken Sie bei der Entsorgung dieser Zellen auch, dass diese nicht in Kinderhände gelangen oder zerbrochen, zerstoßen oder verbrannt werden.

Nach Beendigung der Arbeiten:

- (1) Setzen Sie den Akkublock bei Bedarf in das Ladegerät ein; dies wird durch die rote Lampe neben dem Griff angezeigt.
- (2) Wischen Sie den Akku-Nagler mit einem sauberen und weichen Tuch ab.
- (3) Überprüfen Sie den Filter und reinigen Sie diesen bei Verschmutzung.

Um die SICHERHEIT und ZUVERLÄSSIGKEIT des Produkts zu gewährleisten, sollten Reparaturen, Wartungsarbeiten und Einstellungen nur durch von Makita autorisierte Servicecenter oder vom Werkscenter durchgeführt und immer Makita-Ersatzteile verwendet werden.

ZUBEHÖR

ACHTUNG:

- Für das in diesem Handbuch beschriebene Makita-Werkzeug werden die folgenden Zubehör- und Zusatzteile empfohlen. Die Verwendung anderer Zubehör- und Zusatzteile kann zu Personenschäden führen. Verwenden Sie Zubehör- und Zusatzteile nur für den vorgesehenen Zweck.

Informationen zu diesem Zubehör erhalten Sie bei einem Makita-Servicecenter in Ihrer Nähe.

- Nägel
- Schutzbrillen
- Kraftstoffzelle
- Reinigungssatz
- Verschiedene Arten von Makita-Originalakkus und -Ladegeräten

Nur für europäische Länder

Geräusche und Vibrationen

ENG045-2

Die typischen effektiven Geräuschpegel betragen für

Schalldruckpegel: 89 dB (A)

Schallleistungspegel: 102 dB (A).

Tragen Sie Gehörschutz.

Der typische effektive Beschleunigungswert beträgt

höchstens $2,5 \text{ m/s}^2$.

Abweichung (K): $1,5 \text{ m/s}^2$

Diese Werte wurden entsprechend der Norm EN792

gewonnen.

EG-KONFORMITÄTSERKLÄRUNG

Modell: **GN900**

ENH023-1

Wir erklären in alleiniger Verantwortung, dass sich dieses

Produkt in Übereinstimmung mit den folgenden Normen

der Normdokumente

EN792, EN60745 und EN55014 befinden sich in

Übereinstimmung mit den Ratsverordnungen 98/37/EC,

2004/108/EC.

CE 2008



Tomoyasu Kato
Direktor

Verantwortlicher Hersteller:

Makita Corporation

3-11-8, Sumiyoshi-cho, Anjo, Aichi, JAPAN

Autorisierte Vertretung in Europa:

Makita International Europe Ltd.

Michigan Drive, Tongwell, Milton Keynes, Bucks MK15

8JD, ENGLAND

Spiegazione della vista generale

- | | | |
|---------------------------|-----------------------------------|-----------------|
| 1. Occhiali di protezione | 8. Leva del dispositivo di spinta | 15. Ugello |
| 2. Visiera protettiva | 9. Scomparto | 16. Viti |
| 3. Batteria | 10. Elemento di contatto | 17. Gancio |
| 4. Copricella | 11. Chiave esagonale | 18. Coprifiltro |
| 5. Grilletto | 12. Pulsante | 19. Filtro |
| 6. Spia luminosa | 13. Valvola di misurazione | |
| 7. Pulsante a pressione | 14. Coperchio | |

CARATTERISTICHE TECNICHE

Modello	GN900
Lunghezza chiodo X Diametro gambo	L. chiodo: 50 mm - 90 mm D: 2,9 mm - 3,3 mm
Capacità chiodi	40 chiodi (1 nastro)
Angolo raccolta chiodi (grado)	34
Tipo di testa chiodo	A semiluna
Dimensioni (L x A x P)	321 mm x 108 mm x 368 mm
Peso netto	3,2 kg
Tensione nominale	7,2 V CC

- Le caratteristiche tecniche riportate di seguito sono soggette a modifiche senza preavviso in virtù del nostro programma continuo di ricerca e sviluppo.
- Nota: le caratteristiche tecniche possono differire da paese a paese.

Simboli

END107-3

Il seguente elenco riporta i simboli utilizzati per questo utensile. È importante comprenderne il significato prima di utilizzare l'utensile.



..... Leggere il manuale di istruzioni.



..... Contenitore sotto pressione, evitare le temperature superiori ai 50°C (per es. per radiazione solare) Tenere il contenitore in un luogo ben ventilato.



..... Usare solo all'esterno o in ambienti adeguatamente ventilati. Non inalare il gas.



..... Non usare in prossimità di fiamme né spruzzare su superfici calde. Durante l'uso è possibile che si formi una miscela vapore/aria infiammabile o esplosiva.



..... Non danneggiare, forare o bruciare anche dopo l'uso.



..... Indossare occhiali di protezione



..... Per evitare l'attivazione accidentale, tenere le dita lontane dal grilletto quando non si utilizza l'utensile.



..... Utilizzare solo in ambienti ventilati, per evitare nausea e perdita di conoscenza. Non utilizzare in ambienti saturi di gas combustibili. Lo scarico dell'utensile può incendiare materiali infiammabili.



..... Non utilizzare su impalcature o scale a pioli.

Uso previsto

ENE0591

L'utensile è progettato per il lavoro interno iniziale, come il fissaggio di travetti del pavimento o l'alloggiamento 2 "x 4" di tralicelli del tetto e altri oggetti di carpenteria.

ISTRUZIONI IMPORTANTI PER LA SICUREZZA

ENB111-2

AVVERTENZA: PER RIDURRE IL RISCHIO DI LESIONI PERSONALI, QUANDO SI UTILIZZA QUESTO UTENSILE È NECESSARIO OSSERVARE SEMPRE LE PRECAUZIONI DI BASE PER LA SICUREZZA, COMPRESE LE SEGUENTI:

LEGGERE TUTTE LE ISTRUZIONI.

- Per la propria sicurezza personale e per il funzionamento e la manutenzione corretti dell'utensile, leggere questo manuale di istruzioni prima dell'uso.
- Usare l'utensile solo con la cella a combustibile originale Makita.
- Non usare l'utensile in ambienti chiusi o scarsamente ventilati.

- Portare sempre gli occhiali di protezione per proteggere gli occhi dalla polvere e dai chiodi.
AVVERTENZA:
È responsabilità del datore di lavoro obbligare chi utilizza l'utensile e le persone nelle immediate vicinanze a indossare occhiali di protezione.
- Solo per l'Australia e la Nuova Zelanda Portare sempre gli occhiali di protezione e la visiera per proteggere gli occhi dalla polvere e dai chiodi. Gli occhiali di protezione e la visiera devono essere conformi ai requisiti della legge AS/NZS 1336.
AVVERTENZA:
È responsabilità del datore di lavoro obbligare chi utilizza l'utensile e le persone nelle immediate vicinanze a indossare occhiali di protezione. **(Fig. 1)**
- Indossare paraorecchi per proteggere le orecchie dal rumore di scarico. Indossare anche un casco. Indossare sempre abiti leggeri e aderenti. Le maniche devono essere abbottonate o rimboccate. Non indossare la cravatta
- È pericoloso lavorare con molta fretta o mettere l'utensile sotto sforzo. Maneggiare l'utensile con attenzione. Non usarlo sotto l'influenza di alcol, droghe e sostanze simili.
- Principi generali per l'uso sicuro dell'utensile:
 - (1) Presupporre sempre che l'utensile contenga chiodi.
 - (2) Non puntare l'utensile su di sé o sugli altri, che contenga chiodi o meno.
 - (3) Non attivare l'utensile se non è appoggiato saldamente al pezzo.
 - (4) Utilizzare l'utensile come strumento di lavoro.
 - (5) Non giocare con l'utensile.
 - (6) Non tenere o trasportare l'utensile tenendo un dito sul grilletto.
 - (7) Non caricare i chiodi nell'utensile quando è attivato uno qualsiasi dei comandi di funzionamento.
 - (8) Non far funzionare l'utensile con una fonte di alimentazione diversa da quella specificata nelle istruzioni per l'uso e la sicurezza.
- Non utilizzare l'utensile se non funziona correttamente.
- Quando si usa l'utensile, a volte potrebbero volare delle scintille. Non usare l'utensile vicino a sostanze volatili e infiammabili, quali benzina, solventi, vernici, gas, adesivi, ecc., perché possono infiammarsi ed esplodere, causando lesioni gravi.
- L'area di lavoro deve essere sufficientemente illuminata per garantire un funzionamento sicuro. L'area di lavoro deve essere pulita e senza rifiuti. Prestare particolare attenzione a mantenere un buon equilibrio e i piedi appoggiati correttamente.
- Solo gli addetti ai lavori possono avvicinarsi all'area in cui viene utilizzato l'utensile. I bambini devono sempre essere tenuti lontano.
- Potrebbero esistere norme locali sui rumori che vanno rispettate, mantenendo il livello del rumore entro i limiti prescritti. In alcuni casi, usare dei ripari per limitare il rumore.
- Non giocare con l'elemento di contatto: impedisce la scarica accidentale, per cui va mantenuto in posizione

- e non deve essere rimosso. Anche fissare il grilletto nella posizione ON è molto pericoloso. Non fissare mai il grilletto. Non usare l'utensile se una parte qualsiasi dei suoi comandi non può essere usata, è staccata, modificata o non funziona correttamente.
- Prima dell'uso, controllare sempre le condizioni generali dell'utensile e l'eventuale presenza di viti allentate. Stringerle, se necessario.
- Prima dell'uso, accertarsi che tutti i sistemi di sicurezza funzionino correttamente. L'utensile non deve funzionare se si schiaccia soltanto il grilletto o si preme soltanto il braccio di contatto contro il legno. Esso deve funzionare soltanto quando si eseguono entrambe queste operazioni. Per verificare un eventuale funzionamento anomalo, fare una prova senza i chiodi e con l'elemento di spinta completamente tirato.
- Controllare con cura le pareti, i soffitti, i pavimenti e i tetti per evitare potenziali scosse elettriche, perdite di gas, esplosioni, ecc., causate dall'aver colpito fili elettrici sotto tensione, tubazioni o tubi del gas.
- Usare soltanto i chiodi specificati in questo manuale. L'utilizzo di qualsiasi altro tipo di chiodi potrebbe causare il malfunzionamento dell'utensile.
- Non utilizzare mai chiodatrici marcate con il simbolo "Non usare su impalcature, scale a pioli" per applicazioni specifiche, per esempio:
 - se il cambiamento del posto di chiodatura richiede l'utilizzo di impalcature, scale a pioli, montacarichi o altri materiali di costruzione, per esempio travi di legno;
 - per chiudere scatole o casse di legno;
 - sistemi di sicurezza per il trasporto, per es., su veicoli o vagoni;
- Non fare usare l'utensile da chi non è competente.
- Prima della chiodatura, accertarsi che non vi sia nessuno vicino. Non cercare di inchiodare allo stesso tempo da entrambi i lati interno e esterno. I chiodi potrebbero trapassare e/o volare via, con grave pericolo.
- Quando si utilizza l'utensile, prestare estrema attenzione alla posizione dei piedi, cercando di mantenere sempre l'equilibrio. Quando si lavora in luoghi alti, accertarsi non vi sia nessuno nell'area sottostante, per evitare eventuali pericoli nel caso di movimenti bruschi o se l'utensile rimane impigliato.
- Sui tetti ed altri luoghi alti, inchiodare spostandosi in avanti. È facile perdere l'appoggio dei piedi se si esegue la chiodatura con il peso spostato all'indietro. Per inchiodare una superficie perpendicolare, procedere dall'alto verso il basso. In questo modo le operazioni di chiodatura sono meno faticose.
- Un chiodo potrebbe storcarsi o l'utensile incepparsi se si inchioda per sbaglio su un altro chiodo o su un nodo del legno. Il chiodo potrebbe venire scagliato e colpire qualcuno, o l'utensile stesso potrebbe reagire pericolosamente. Posizionare i chiodi con cura.
- Non puntare il foro di espulsione su qualcuno vicino. Tenere le mani e i piedi lontani dall'area del foro di espulsione.
- Non trasportare l'utensile con il dito sul grilletto, o porgerlo a qualcuno in questo modo. L'espulsione

- accidentale dei chiodi può essere estremamente pericolosa.
- Maneggiare l'utensile con attenzione perché all'interno è presente un'alta pressione che può essere pericolosa se si causa una crepa maneggiandolo in modo errato (facendolo cadere o se subisce un colpo). Non intagliare né incidere l'utensile.
 - Arrestare immediatamente la chiodatura se si nota nell'utensile qualcosa di sbagliato o di anomalo.
 - Rimuovere sempre la cella a combustibile, la batteria e tutti i chiodi:
 - (9) Se l'utensile viene lasciato incustodito.
 - (10) Prima di eseguire un qualsiasi intervento di manutenzione o di riparazione.
 - (11) Prima di correggere un inceppamento.
 - (12) Prima di portare l'utensile in un altro luogo.
 - Eseguire la pulizia e la manutenzione subito dopo la fine del lavoro. Mantenere l'utensile in ottime condizioni. Lubrificare le parti mobili per evitare che arrugginiscono e per minimizzare l'usura causata dagli attriti. Togliere tutta la polvere dalle parti.
 - Non modificare l'utensile senza l'autorizzazione di Makita.
 - Richiedere il controllo periodico dell'utensile presso un centro di assistenza Makita autorizzato.
 - Per mantenere la SICUREZZA e l'AFFIDABILITÀ del prodotto, le riparazioni e qualsiasi altra operazione di manutenzione devono essere eseguite dai centri di assistenza autorizzati Makita, utilizzando sempre parti di ricambio Makita.
 - Non tenere l'elemento di contatto del grilletto premuto con nastro o fili. Ciò potrebbe provocare morte o lesioni gravi.
 - Controllare sempre l'elemento di contatto seguendo le istruzioni del presente manuale. Se il meccanismo di sicurezza non funziona correttamente, i chiodi potrebbero essere conficcati involontariamente.

CONSERVARE LE PRESENTI ISTRUZIONI.

ENC007-2

ISTRUZIONI DI SICUREZZA IMPORTANTI

RELATIVE ALLA BATTERIA

1. **Prima di utilizzare la batteria, leggere tutte le istruzioni e le informazioni di sicurezza relative a (1) caricabatteria, (2) batteria e (3) prodotto utilizzato con batteria.**
 2. **Non smontare la batteria.**
 3. **Se il tempo di funzionamento è diventato eccessivamente breve, non utilizzare l'utensile. Potrebbero verificarsi surriscaldamenti, ustioni o esplosioni.**
 4. **In caso di contatto dell'elettrolita della batteria con gli occhi, sciacquare con acqua pura e rivolgersi immediatamente a un medico. Potrebbero verificarsi danni permanenti alla funzionalità visiva.**
5. **Non cortocircuitare la batteria:**
 - (1) **Non toccare i terminali della batteria con materiali in grado di condurre elettricità.**
 - (2) **Evitare di conservare le batterie a contatto con oggetti metallici quali chiodi, monete e così via.**
 - (3) **Non esporre le batterie all'acqua o alla pioggia. Un cortocircuito può provocare un elevato flusso di corrente, surriscaldamento, ustioni o rotture.**
 6. **Non conservare l'utensile e la batteria in ambienti in cui la temperatura possa raggiungere o superare i 50°C (122°F).**
 7. **Non smaltire le batterie danneggiate o esaurite incenerendole, anche qualora risultino estremamente danneggiate o completamente usurate. Se esposte al fuoco, le batterie possono esplodere.**
 8. **Evitare di far cadere o di colpire la batteria.**

CONSERVARE QUESTE ISTRUZIONI.

Suggerimenti per il prolungamento della durata della batteria

1. **Ricaricare la batteria prima che sia completamente scarica.**
Se si nota una diminuzione di potenza dell'utensile, interrompere il lavoro e ricaricare la batteria.
2. **Non ricaricare una batteria già completamente carica. In caso contrario, la durata operativa della batteria potrebbe ridursi.**
3. **Caricare la batteria in ambienti con temperatura compresa tra 10°C e 40°C (50°F - 104°F). Prima di caricare una batteria surriscaldata, lasciarla raffreddare.**

Informazioni generali sulla chiodatrice (Fig. 2)

DESCRIZIONE FUNZIONALE

ATTENZIONE:

- Prima di regolare o controllare il funzionamento dell'utensile, rimuovere la cella a combustibile, la batteria e i chiodi.

Installazione o rimozione della batteria (Fig. 3)

- Prima di inserire o rimuovere la batteria, spegnere sempre l'utensile.
- Per rimuovere la batteria, estrarla dall'utensile premendo il pulsante sul lato della batteria, come illustrato in figura. (Fig. 4)
- Per inserire la batteria, tenerla in modo tale che la sua forma anteriore si adatti a quella dell'apertura della vano batteria e farla scorrere in posizione. Inserire la batteria fino a quando si blocca in posizione con uno scatto. In caso contrario la batteria può fuoriuscire

accidentalmente e provocare lesioni all'operatore o a chi si trova nelle vicinanze.

- Non applicare una forza eccessiva per inserire la batteria. Se la batteria non scorre agevolmente, la manovra di inserimento non è corretta.

Cella a combustibile

Collegamento della valvola di misurazione alla cella a combustibile (Fig. 5)

Staccare il coperchio (nel caso in cui la valvola di misurazione ne sia dotata). (Fig. 6)

Spingere all'interno la parte anteriore. (Fig. 7)

Spingere all'interno la parte posteriore fino a che sia correttamente inserita.

Inserimento della cella a combustibile (Fig. 8)

Per aprire, spingere verso l'alto e tirare il coperchio della cella. (Fig. 9)

Inserire la cella a combustibile dirigendo l'ugello della valvola di misurazione verso l'adattatore. (Fig. 10)

Inserire correttamente l'ugello nel piccolo foro

dell'adattatore. (Fig. 11)

Disporre il copricella sulla valvola di misurazione e spingerlo in basso per chiuderlo.

Regolazione della profondità di chiodatura

ATTENZIONE:

- Prima di regolare la profondità di chiodatura rimuovere la cella a combustibile, la batteria e i chiodi. (Fig. 12)

Con la chiave esagonale, allentare le due viti e spostare l'elemento di contatto. Stringere di nuovo saldamente le due viti.

Spia luminosa

Il colore della spia luminosa ha il seguente significato.

Verde lampeggiante: stato normale

Rosso lampeggiante: la batteria richiede di essere ricaricata **Rosso:** ricaricare la batteria. Non è possibile eseguire la chiodatura per la mancanza di carica della batteria.

Arancione lampeggiante dopo verde e rosso

lampeggianti alternativamente: è in corso la ricerca di guasti. Per ripristinare, estrarre e reinserire la batteria. Se viene di nuovo avviata la ricerca di guasti, si tratta di una condizione di malfunzionamento.

Gancio (Fig. 13)

Il gancio è utile per appendere temporaneamente l'utensile. Il gancio può essere disposto in due posizioni, a seconda di dove l'utensile andrà agganciato.

Per cambiare la posizione del gancio, premere alla base spingendo da entrambi i lati e spostarlo nella nuova posizione.

MONTAGGIO

ATTENZIONE:

- Rimuovere sempre la cella a combustibile e la batteria.

Caricamento della chiodatrice (Fig. 14)

Inserire un nastro di chiodi nella fessura posteriore dello scomparto. (Fig. 15)

Tirare la leva del dispositivo di spinta fino alla parte posteriore dello scomparto e riportarla delicatamente alla fine del nastro.

Rimozione dei chiodi (Fig. 16)

Tirare la leva del dispositivo di spinta e spingere il pulsante a pressione per rilasciare il supporto dei chiodi, quindi riportare la leva in alto, spingendo il pulsante a pressione.

Far scorrere i chiodi verso l'estremità posteriore dello scomparto e rimuoverli.

USO

ATTENZIONE:

- Prima dell'uso, accertarsi che tutti i sistemi di sicurezza funzionino correttamente. (Fig. 17)

1. Per inserire un chiodo, disporre l'elemento di contatto contro il pezzo.

Il motore della ventola viene attivato, il gas viene iniettato nella camera di combustione e miscelato con l'aria dalla ventola. (Fig. 18)

2. Premere con forza l'elemento di contatto e premere il grilletto.

Il gas viene bruciato, espellendo il chiodo.

3. Per attivare un'altra espulsione occorre rilasciare sia l'elemento di contatto che il grilletto.

Meccanismo di prevenzione del funzionamento a vuoto

Si tratta di un meccanismo che impedisce di attivare l'utensile in assenza di chiodi.

La prevenzione del funzionamento a vuoto entra automaticamente in funzione quando rimangono 4-7 chiodi.

Inceppamento della chiodatrice

ATTENZIONE:

- Prima di rimuovere un inceppamento rimuovere sempre la cella a combustibile e la batteria. Quando la chiodatrice si inceppa, procedere come segue.

1. Rimuovere la cella a combustibile, la batteria e i chiodi. (Fig. 19)

2. Con la chiave esagonale, allentare le due viti di montaggio del comparto. (Fig. 20)

3. Tirare indietro l'impugnatura e lo scomparto ed eliminare l'inceppamento.

4. Rimettere a loro posto l'impugnatura e lo scomparto e stringere le viti di fissaggio.

5. Ricaricare un nastro di chiodi.

AVVERTENZA:

- Assicurarsi che le viti di fissaggio dello scomparto siano ben strette e che lo scomparto sia stretto contro la parte anteriore dell'utensile. L'attivazione dell'utensile con lo scomparto non ben fissato può risultare nella perdita di controllo dei chiodi, in danni all'utensile o nella scarica di chiodi verso l'operatore.

MANUTENZIONE

ATTENZIONE:

- Prima di ogni controllo o manutenzione rimuovere sempre la cella a combustibile, la batteria e i chiodi.

Pulizia del filtro dell'aria (Fig. 21)

Premere leggermente verso l'alto il copricella e ruotarlo per aprirlo. Rimuove il coprifiltro ed estrarre il filtro. Scuotere leggermente il filtro per rimuovere le impurità. Il filtro viene riportato quasi a nuovo con acqua e sapone.

Manutenzione giornaliera.

Alla fine dell'uso giornaliero occorre svolgere le normali operazioni di manutenzione giornaliera. In questo modo si garantiscono la sicurezza e il corretto funzionamento della chiodatrice.

Prima di lasciare il luogo di lavoro:

1. Rimuovere la batteria e riporla nella custodia dell'utensile. Usare sempre l'apposita custodia per trasportare e riporre l'utensile.
2. Smaltimento delle celle a combustibile esaurite. Smaltire le celle dove non possano essere rotte, forate, bruciate o trovate dai bambini.

Arrivati a casa:

- (1) Inserire la batteria nel caricatore se deve essere ricaricata: questo è indicato dalla spia rossa vicino all'impugnatura.
- (2) Pulire la chiodatrice con un panno morbido e asciutto.
- (3) Controllare il filtro e pulirlo se presenta residui di polvere.

Per mantenere la SICUREZZA e l'AFFIDABILITÀ del prodotto, le riparazioni e qualsiasi altra operazione di manutenzione o regolazione devono essere eseguiti dai centri di assistenza autorizzati o in fabbrica Makita, utilizzando sempre parti di ricambio Makita.

ACCESSORI

ATTENZIONE:

- Si raccomanda di usare questi accessori con l'utensile Makita descritto in questo manuale. L'uso di qualsiasi altro accessorio potrebbe provocare lesioni personali. Utilizzare gli accessori esclusivamente per l'uso dichiarato.

Per l'assistenza e ulteriori informazioni su tali accessori, rivolgersi al centro di assistenza Makita più vicino.

- Chiodi
- Occhiali di protezione
- Cella a combustibile
- Kit di pulizia
- Diversi modelli di batterie e caricabatterie originali Makita

Solo per i paesi europei

Rumore e vibrazione

ENG045-2

I tipici livelli di rumore ponderati "A" sono:
livello di pressione sonora: 89 dB (A)
livello di potenza sonora: 102 dB (A).

Indossare una protezione acustica.

In genere, il valore efficace ponderato dell'accelerazione non supera i 2,5 m/s².
Variazione (K): 1,5 m/s²
Questi valori sono stati ottenuti in conformità con la norma EN792.

DICHIARAZIONE DI CONFORMITÀ CE

Modello: GN900

ENH023-1

Dichiariamo sotto nostra esclusiva responsabilità che il presente prodotto è conforme alle seguenti norme o documenti normativi:

EN792, EN60745 ed EN55014, secondo le disposizioni delle direttive del Consiglio, 98/37/CE, 2004/108/CE.

CE 2008



Tomoyasu Kato
Direttore

Produttore responsabile:

Makita Corporation

3-11-8, Sumiyoshi-cho, Anjo, Aichi, GIAPPONE

Rappresentanti autorizzati in Europa:

Makita International Europe Ltd.

Michigan Drive, Tongwell, Milton Keynes, Bucks MK15
8JD, INGHILTERRA

Verklaring van algemene gegevens

- | | | |
|--------------------------------|---------------------|------------------|
| 1. Veiligheidsbril | 8. Aandrukkerhendel | 15. Spuitmond |
| 2. Spatscherm | 9. Magazijn | 16. Schroeven |
| 3. Accu | 10. Contactschoen | 17. Haak |
| 4. Deksel van brandstofpatroon | 11. Inbussleutel | 18. Filterdeksel |
| 5. Trekker | 12. Knop | 19. Filter |
| 6. Bedrijfslampje | 13. Meetklep | |
| 7. Aandrukkerknop | 14. Dop | |

TECHNISCHE GEGEVENS

Model	GN900
Nagellengte en diameter	Nagellengte: 50 mm - 90 mm Diameter: 2,9 mm - 3,3 mm
Nagelcapaciteit	40 nagels (1 strip)
Nagelhoek (graden)	34
Vorm van nagelkop	Afgeknipt
Afmetingen (L x H x B)	321 mm x 108 mm x 368 mm
Netto gewicht	3,2 kg
Nominale spanning	7,2 V gelijkstroom

- Als gevolg van ons doorlopende onderzoeks- en ontwikkelingsprogramma, zijn de technische gegevens van dit gereedschap onderhevig aan veranderingen zonder voorafgaande kennisgeving.
- Opmerking: De technische gegevens kunnen van land tot land verschillen.

Symbolen

END107-3

Hieronder staan de symbolen die voor dit gereedschap worden gebruikt. Zorg ervoor dat u weet wat ze betekenen alvorens het gereedschap te gebruiken.



..... Gebruik uitsluitend op geventileerde plaatsen om misselijkheid en flauwvallen te voorkomen. Gebruik het gereedschap nooit in een omgeving met brandbare materialen. De uitlaat van het gereedschap kan de brandbare materialen doen ontbranden.



..... Gebruik het gereedschap niet op een steiger of ladder.

Gebruiksdoeleinden

ENE0591

Dit gereedschap is bedoeld voor het uitvoeren van voorbereidende werkzaamheden binnenshuis, zoals het vastzetten van vloerbalken of daksporen, en voor het maken van 2" x 4"-skeletten in huizenbouw.

BELANGRIJKE VEILIGHEIDSINSTRUCTIES

ENB111-2

WAARSCHUWING: TIJDENS HET GEBRUIK VAN DIT GEREEDSCHAP DIENEN ALTIJD DE BASISVEILIGHEIDSVORZORGEN TE WORDEN GETROFFEN OM DE RISICO'S VAN PERSOONLIJK LETSEL, WAARONDER DE VOLGENDE, TE VERKLEINEN:

LEES ALLE INSTRUCTIES.

- Omwille van uw persoonlijke veiligheid en de juiste werking en onderhoud van het gereedschap, leest u deze gebruiksaanwijzing alvorens het gereedschap te gebruiken.



..... Lees de gebruiksaanwijzing.



..... De houder staat onder druk. Houd deze uit de buurt van temperaturen hoger dan 50°C (bijv. zonnestrallen). Bewaar de houder in een goed geventileerde ruimte.



..... Gebruik alleen buiten of in een goed geventileerde ruimte. Adem het gas niet in.



..... Gebruik niet in de buurt van open vuur of spuitvloeistoffen op warme oppervlakken. Tijdens het gebruik kan een brandbaar of explosief damp-luchtmengsel worden gevormd.



..... Ook na gebruik mag u de houder niet beschadigen, doorboren of verbranden.



..... Draag een veiligheidsbril.



..... Houd uw vingers uit de buurt van de trekker wanneer u niet wilt nagelen om het per ongeluk afschieten van nagels te voorkomen.

- Gebruik het gereedschap uitsluitend met een origineel Makita-brandstofpatroon.
- Gebruik het gereedschap nooit in een gesloten of slecht geventileerde ruimte.
- Draag altijd een veiligheidsbril om uw ogen te beschermen tegen letsel door stof of nagels.
WAARSCHUWING:
Het is de verantwoordelijkheid van de werkgever om ervoor te zorgen dat veiligheidsmiddelen voor oogbescherming gebruikt worden door de gebruikers van het gereedschap en anderen in de onmiddellijke omgeving van de werkplek.
- Alleen voor Australië en Nieuw-Zeeland Draag altijd een veiligheidsbril en spatscherm om uw ogen te beschermen tegen letsel door stof of nagels. De veiligheidsbril en het spatscherm dienen te voldoen aan de vereisten van AS/NZS 1336.
WAARSCHUWING:
Het is de verantwoordelijkheid van de werkgever om ervoor te zorgen dat veiligheidsmiddelen voor oogbescherming gebruikt worden door de gebruikers van het gereedschap en anderen in de onmiddellijke omgeving van de werkplek. **(zie afb. 1)**
- Draag gehoorbescherming om uw oren te beschermen tegen het uitlaatgeluid en draag hoofdbescherming. Draag tevens lichte maar geen losse kleding. Manchetten moeten dichtgeknoopt zijn of de mouwen moeten worden opgerold. Draag geen stropdas.
- Haast tijdens de werkzaamheden of het gereedschap dwingen is gevaarlijk. Wees voorzichtig wanneer u het gereedschap hanteert. Bedien het gereedschap niet onder invloed van alcohol, drugs en dergelijke.
- Algemene richtlijnen voor het hanteren van het gereedschap
 - (1) Ga er altijd vanuit dat in het gereedschap nagels zitten.
 - (2) Richt het gereedschap niet op uzelf of anderen, ongeacht of er nagels in zitten of niet.
 - (3) Schakel het gereedschap niet in als dit niet stevig tegen het werkstuk wordt gedrukt.
 - (4) Respecteer het gereedschap als werkinstrument.
 - (5) Speel er niet mee.
 - (6) Draag het gereedschap niet met een vinger om de trekker.
 - (7) Laad geen nagels in het gereedschap wanneer een van de bedieningsschakelaars is ingeschakeld.
 - (8) Bedien het gereedschap niet met een andere voedingsbron dan die is aangegeven in de bedienings- en veiligheidsinstructies van dit gereedschap.
- Als het gereedschap niet juist werkt, mag het niet worden gebruikt.
- Tijdens het gebruik van het gereedschap kunnen soms vonken wegspringen. Gebruik het gereedschap niet in de buurt van vluchtige, brandbare materialen, zoals benzine, thinner, verf, gas, lijm, enz., omdat deze kunnen ontsteken en exploderen, waarbij ernstig letsel kan worden veroorzaakt.
- De werkplek moet voldoende worden verlicht om een veilige bediening te garanderen. De werkplek moet schoon en vrij van afval zijn. Zorg ervoor dat u stevig staat en uw evenwicht goed bewaart.
- Alleen personen die betrokken zijn bij de werkzaamheden mogen in de buurt van de werkplek komen. Met name kinderen moeten altijd uit de buurt worden gehouden.
- Er kunnen plaatselijk regels gelden met betrekking tot geluid, waaraan u zich dient te houden door de geluidsproductie onder het voorgeschreven niveau te houden. In bepaalde gevallen moeten geluidsschermen worden gebruikt om het geluidsniveau te beperken.
- Speel niet met de contactschroeven: het voorkomt per ongeluk nagelen, dus moet het blijven zitten en mag niet worden verwijderd. De trekker in ingeschakelde stand vergrendelen is ook erg gevaarlijk. Probeer nooit de trekker vast te zetten. Bedien het gereedschap niet als enig onderdeel van de bedieningselementen van het gereedschap niet kan worden bediend, is losgekoppeld, gewijzigd of niet goed werkt.
- Controleer voor gebruik het gereedschap altijd eerst op algehele conditie en loszittende schroeven. Draai deze zo nodig vast.
- Controleer voor gebruik dat alle beveiligingssysteem goed werken. Het gereedschap mag niet werken als alleen de trekker wordt ingeknepen of als alleen de contactschroeven op het hout wordt gedrukt. Het gereedschap mag alleen werken als beide handelingen tegelijkertijd worden uitgevoerd. Test op mogelijke defecte werking wanneer geen nagels zijn geladen en de aandrukker helemaal uitgetrokken is.
- Controleer muren, plafonds, vloeren en dergelijke grondig om te voorkomen dat door het nagelen in elektrische draden, pijpen of gasleidingen een elektrische schok, gaslek, explosie, enz. kan ontstaan.
- Gebruik uitsluitend nagels die in deze gebruiksaanwijzing worden aangegeven. Door een ander soort nagels te gebruiken, kan een storing in het gereedschap worden veroorzaakt.
- Gebruik nooit elektrisch bevestigingsgereedschap met daarop het symbool "Niet gebruiken op steigers en ladders" bij bepaalde toepassingen, bijvoorbeeld:
 - als bij het veranderen van een werkplek naar de volgende, gebruik gemaakt wordt van een steiger, trap, ladder of soortgelijke constructies, bijv. daklatten;
 - bij het sluiten van dozen of kratten, en
 - bij het monteren van transportbeveiligingssysteem, bijv. op voertuigen en aanhangers.
- Laat personen zonder onderricht het gereedschap niet gebruiken.
- Controleer voor het nagelen dat niemand dichtbij staat. Probeer nooit tegelijkertijd van binnenuit en van buitenaf te nagelen. De nagels kunnen er dwars doorheen schieten of afketsen en een groot gevaar opleveren.
- Zorg ervoor dat u tijdens het gebruik van het gereedschap stevig staat en uw evenwicht goed bewaart. Controleer dat er niemand onder u staat wanneer u op een hoge plaats werkt om gevaarlijke situaties te voorkomen als u plotseling uit balans raakt.

- Op daken en andere hoge plaatsen nagelt u terwijl u voorwaarts beweegt. U glijdt gemakkelijk weg als u nagelt terwijl u achterwaarts kruipt. Als u in een rechtopstaande ondergrond nagelt, nagelt u van boven naar beneden. U kunt op deze manier nagelen zonder snel vermoeid te raken.
- Een nagel zal krom gaan of het gereedschap kan vastlopen als u per ongeluk bovenop een andere nagel of in een knoest in het hout nagelt. De nagel kan wegschieten en iemand raken, of het gereedschap zelf kan gevaarlijk terugstaan. Kies de plaats voor de nagel met zorg.
- Richt de schietmond nooit op iemand in de buurt. Houd handen en voeten uit de buurt van de schietmond.
- Draag het gereedschap nooit met uw vinger om de trekker, en rijk het niet iemand aan op deze manier. Als de trekker per ongeluk wordt ingeknepen, ontstaat een uiterst gevaarlijke situatie.
- Hanteer het gereedschap voorzichtig, aangezien er binnenin het gereedschap een hoge druk is die gevaar oplevert als een barst ontstaat door grove behandeling (laten vallen of stoten). Probeer niet in het gereedschap te snijden of graven.
- Stop onmiddellijk met nagelen als u een probleem of iets vreemds opmerkt aan het gereedschap.
- Verwijder altijd de brandstofpatroon, de accu en alle nagels:
 - (9) Als u het gereedschap alleen achterlaat;
 - (10) Alvorens enige onderhouds- of reparatiewerkzaamheden uit te voeren;
 - (11) Alvorens een verstopping te verhelpen, en
 - (12) Alvorens het gereedschap naar een andere plaats over te brengen.
- Voer de reinigings- en onderhoudswerkzaamheden uit onmiddellijk nadat het werk is voltooid. Houd het gereedschap in opperbeste conditie. Smeer bewegende delen om roesten te voorkomen en slijtage door wrijving te minimaliseren. Veeg alle stof van de onderdelen af.
- Wijzig het gereedschap niet zonder toestemming van Makita.
- Vraag een erkend Makita-servicecentrum regelmatig het gereedschap te inspecteren.
- Om de VEILIGHEID en BETROUWBAARHEID van het gereedschap te handhaven, dienen alle reparaties en onderhoud te worden uitgevoerd door een erkend Makita-servicecentrum, en altijd met gebruikmaking van originele Makita-ervangingsonderdelen.
- Probeer niet de contactschonen voortdurend ingedrukt te houden met tape of draad. Dit kan leiden tot de dood of ernstig letsel.
- Controleer altijd de contactschonen volgens de instructies in deze gebruiksaanwijzing. Als het veiligheidsmechanisme niet goed werkt, kunnen nagels per ongeluk worden geschoten.

BEWAAR DEZE INSTRUCTIES.

ENC007-2

BELANGRIJKE VEILIGHEIDSINSTRUCTIES

VOOR ACCU'S

1. **Alvorens de accu in gebruik te nemen, leest u eerst alle instructies en waarschuwingsopchriften op (1) de acculader, (2) de accu en (3) het apparaat waarin de accu wordt aangebracht.**
2. **Haal de accu niet uit elkaar.**
3. **Als de gebruikstijd aanzienlijk korter is geworden, stopt u onmiddellijk met het gebruik. Anders kan dit leiden tot kans op oververhitting, mogelijke brandwonden en zelfs een explosie.**
4. **Als de elektrolyt in uw ogen komt, wast u deze uit met schoon water en raadpleegt u onmiddellijk een arts. Dit kan leiden tot verlies van gezichtsvermogen.**
5. **Sluit de accu niet kort:**
 - (1) **Raak de accupolen niet aan met enig geleidend materiaal.**
 - (2) **Bewaar de accu niet op een plaats waar deze in aanraking kan komen met andere metalen voorwerpen, zoals spijkers, munten, enz.**
 - (3) **Stel de accu niet bloot aan water of regen. Kortsluiting van de accu kan leiden tot een hoge stroomsterkte, oververhitting, mogelijke brandwonden en zelfs een defect.**
6. **Bewaar het gereedschap en de accu niet op plaatsen waar de temperatuur kan oplopen tot 50°C (122°F) of hoger.**
7. **Werp de accu niet in een vuur, zelfs niet als deze al ernstig beschadigd of helemaal versleten is. De accu kan in een vuur exploderen.**
8. **Wees voorzichtig dat u de accu niet laat vallen of ergens tegenaan stoot.**

BEWAAR DEZE INSTRUCTIES.

Tips voor een lange levensduur van de accu

1. **Laad de accu op voordat deze volledig leeg is. Wanneer u merkt dat het gereedschap minder vermogen heeft, stopt u met het gebruik ervan en laadt u eerst de accu op.**
2. **Laad nooit een volledig opgeladen accu op. Te lang opladen verkort de levensduur van de accu.**
3. **Laad de accu op bij een omgevingstemperatuur van 10°C t/m 40°C (50°F t/m 104°F). Laat een warme accu eerst afkoelen voordat u deze oplaadt.**

Overzicht van het nagelpistool (zie afb. 2)

BESCHRIJVING VAN DE FUNCTIES

LET OP:

- Verwijder altijd de brandstofpatroon, de accu en alle nagels alvorens het gereedschap in te stellen of de werking ervan te controleren.

De accu aanbrengen en verwijderen (zie afb. 3)

- Schakel het gereedschap altijd uit voordat u de accu aanbrengt of verwijderd.
- Om de accu te verwijderen, drukt u op de knop aan de zijkant van de accu en trekt u tegelijkertijd de accu uit het gereedschap, zoals aangegeven in de afbeelding. (zie afb. 4)
- Om de accu aan te brengen, houdt u de accu zodanig vast dat de vorm aan de voorkant van de accu past in de accuplaatsingsopening van het gereedschap, en schuift u de accu op zijn plaats. Steek de accu zo ver mogelijk in het gereedschap tot u een klikgeluid hoort. Als u dit niet doet, kan de accu per ongeluk uit het gereedschap vallen en u of anderen in uw omgeving verwonden.
- Oefen geen grote kracht uit bij het aanbrengen van de accu. Als de accu niet gemakkelijk in het gereedschap kan worden gestoken, wordt deze niet goed aangebracht.

Brandstofpatroon

De meeklep op de brandstofpatroon aanbrengen (zie afb. 5)

Verwijder de dop (in het geval de meeklep met een dop wordt geleverd). (Zie afb. 6)

Duw de voorrand omlaag. (Zie afb. 7)

Duw de achterrand omlaag tot deze op zijn plaats vastzit.

De brandstofpatroon aanbrengen (Zie afb. 8)

Duw omhoog en trek aan het deksel van de brandstofpatroon om deze te verwijderen. (Zie afb. 9)
Plaats de brandstofpatroon in het gereedschap met de spuitmond van de meeklep in de richting van de adapter. (Zie afb. 10)

Steek de spuitmond stevig in de kleine opening van de adapter. (Zie afb. 11)

Plaats het deksel van de brandstofpatroon over de meeklep en druk het omlaag om het vast te zetten.

De nageldiepte instellen

LET OP:

- Verwijder altijd de brandstofpatroon, de accu en alle nagels alvorens de nageldiepte in te stellen. (Zie afb. 12)
- Draai met behulp van de inbussleutel de twee schroeven los en stel de contactschoen in. Draai de twee schroeven stevig vast.

Bedrijflampje

De kleur van het bedrijflampje heeft de volgende betekenis:

Knippert groen: Dit is de normale toestand.

Knippert rood: De accu moet worden opgeladen. **Brandt rood:** Laad de accu op. U kunt niet meer nagelen omdat de accu leeg is.

Knippert oranje na afwisselend groen en rood te hebben geknippert: De storingsdetectie is in werking getreden. Haal de accu uit het gereedschap en plaats deze weer terug om terug te stellen. Als de storingsdetectie opnieuw in werking treedt, is een storing opgetreden.

Haak (Zie afb. 13)

De haak is handig om het gereedschap tijdelijk aan op te hangen. De haak kan in twee standen worden gezet, afhankelijk van waar het gereedschap wordt opgehangen. Om naar de andere stand te veranderen, knijpt u de haak aan de basis aan beide zijden in, en verplaatst u de haak naar de andere stand.

ONDERDELEN AANBRENGEN/ VERWIJDEREN

LET OP:

- Verwijder altijd de brandstofpatroon en accu.

Nagels laden (Zie afb. 14)

Plaats een strip nagels in de gleuf in de achterkant van het magazijn. (Zie afb. 15)

Trek de aandrukkerhendel tot de achterkant van het magazijn en plaats deze voorzichtig terug tot het uiteinde van de strip nagels.

Nagels verwijderen (Zie afb. 16)

Trek aan de aandrukkerhendel en duw tegen de aandrukkerknop om de nagelsteun te ontgrendelen, en plaats daarna de aandrukkerhendel terug naar boven door tegen de aandrukkerknop te duwen.

Schuif de nagels naar de achterkant van het magazijn en haal ze eruit.

BEDIENING

LET OP:

- Controleer voor gebruik dat alle beveiligingssystemen goed werken. (Zie afb. 17)

1. Om te nagelen, plaatst u de contactschoen op het werkstuk.

De ventilatormotor wordt ingeschakeld, gasvormige brandstof wordt in de verbrandingskamer gespoten en door de ventilator met lucht gemengd. (Zie afb. 18)

2. Houd de contactschoen stevig op het werkstuk gedrukt en knijp de trekker in.

Het brandstof-luchtmengsel wordt ontstoken en de nagel wordt in het werkstuk geschoten.

3. De volgende nagel kan pas worden geschoten nadat eerst de contactschoen en de trekker zijn losgelaten.

Anti-droogschietmechanisme

Dit is een mechanisme dat voorkomt dat het gereedschap afgaat zonder dat een nagel aanwezig is. De droogschietpreventie treedt automatisch in werking wanneer slechts 4 tot 7 nagels resterend.

Vastgelopen nagelpistool

LET OP:

- Verwijder altijd de brandstofpatroon en accu alvorens een verstopping op te heffen.

Wanneer het nagelpistool vastloopt, gaat u als volgt te werk:

1. Verwijder de brandstofpatroon, de accu en alle nagels. (Zie afb. 19)
2. Draai met behulp van de inbussleutel de twee bevestigingsschroeven van het magazijn los. (Zie afb. 20)
3. Trek het magazijn los van de neus van het gereedschap en hef de verstopping op.
4. Lijn het magazijn uit met de neus van het gereedschap en draai de bevestigingsschroeven weer vast.
5. Plaats weer een strip nagels in het gereedschap.

WAARSCHUWING:

- Zorg ervoor dat de bevestigingsschroeven van het magazijn stevig aangedraaid zijn en dat het magazijn tegen de neus komt. Als u probeert met het gereedschap te nagelen terwijl het magazijn los zit, zal u de controle over het gereedschap verliezen, het gereedschap beschadigd raken of een nagel op de gebruiker worden afgeschoten.

ONDERHOUD

LET OP:

- Verwijder altijd de brandstofpatroon, de accu en alle nagels alvorens inspectie- of onderhoudswerkzaamheden uit te voeren.

Het luchtfilter reinigen (Zie afb. 21)

Druk licht op het deksel van de brandstofpatroon en wip het omhoog. Verwijder vervolgens het filterdeksel en til het luchtfilter eruit. Tik zachtjes tegen het luchtfilter om het stof eruit te kloppen. Met zeepsop kunt u het luchtfilter tot bijna in nieuwstaat reinigen.

Dagelijkse onderhoudswerkzaamheden

Aan het einde van de werkdag, voert u de dagelijkse onderhoudswerkzaamheden uit.

Deze eenvoudige stappen dienen ertoe de veiligheid en prestaties van het Makita-accunagelpistool voor skeletbouw te garanderen.

Alvorens u het werkterrein verlaat:

1. Verwijder de accu uit het gereedschap en berg deze op in de draagdoos van het gereedschap. Gebruik altijd de draagdoos van het gereedschap voor het transporteren van het Makita-accunagelpistool voor skeletbouw.
2. Gooi alle lege brandstofpatronen weg. Zorg ervoor dat de weggegooid brandstofpatronen niet kunnen

worden gevonden door kinderen, geplet, doorboord of verbrand.

Nadat u thuis bent:

- (1) Doe de accu in de acculader als deze opgeladen moet worden volgens het rode bedrijfslampje bij de handgreep.
- (2) Veeg het Makita-accunagelpistool voor skeletbouw af met een schone, droge doek.
- (3) Controleer het luchtfilter en reinig dit als het stoffig is.

Om de VEILIGHEID en BETROUWBAARHEID van het gereedschap te handhaven, dienen alle reparaties, onderhoud en afstellingen te worden uitgevoerd door een erkend Makita-servicecentrum of de Makita-fabriek, en altijd met gebruikmaking van originele Makita-ervangingsonderdelen.

ACCESSOIRES

LET OP:

- Deze accessoires of hulpstukken worden aanbevolen voor gebruik met het Makita-gereedschap dat in deze gebruiksaanwijzing wordt beschreven. Het gebruik van andere accessoires of hulpstukken kan gevaar voor persoonlijk letsel opleveren. Gebruik de accessoires of hulpstukken uitsluitend voor de aangegeven gebruiksdoeleinden.

Mocht u meer informatie willen hebben over deze accessoires, dan kunt u contact opnemen met uw plaatselijke Makita-servicecentrum.

- Nagels
- Veiligheidsbril
- Brandstofpatroon
- Reinigingset
- Diverse types originele Makita-accu's en acculaders

Alleen voor Europese landen

Geluid en trillingen

ENG045-2

De typische, A-gewogen geluidsniveaus zijn

geluidsdrukniveau: 89 dB (A)

geluidsvermogeniveau: 102 dB (A).

Draag gehoorbescherming.

De karakteristieke gewogen effectieve

versnellingswaarde is niet hoger dan 2,5 m/s².

Onzekerheid (K): 1,5 m/s²

Deze waarden zijn verkregen volgens EN792.

EC-VERKLARING VAN CONFORMITEIT

Model; GN900

ENH023-1

Wij verklaren onder eigen verantwoordelijkheid dat dit

product voldoet aan de normen in de volgende

documenten:

EN792, EN60745 en EN55014 in overeenstemming met

de richtlijnen van de Raad, 98/37/EC en 2004/108/EC.

CE 2008



Tomoyasu Kato

Directeur

Verantwoordelijke fabrikant:

Makita Corporation

3-11-8, Sumiyoshi-cho, Anjo, Aichi, JAPAN

Erkende vertegenwoordiger voor Europa:

Makita International Europe Ltd.

Michigan Drive, Tongwell, Milton Keynes, Bucks MK15

8JD, ENGELAND

Descripción y visión general

- | | | |
|----------------------------|--------------------------|-------------------------|
| 1. Gafas de seguridad | 8. Palanca empujadora | 15. Boquilla |
| 2. Careta protectora | 9. Depósito alimentador | 16. Tornillos |
| 3. Cartucho de la batería | 10. Elemento de contacto | 17. Gancho |
| 4. Cubierta de combustible | 11. Llave Allen | 18. Cubierta del filtro |
| 5. Disparador | 12. Botón | 19. Filtro |
| 6. Luz indicadora | 13. Válvula dosificadora | |
| 7. Botón empujador | 14. Tapa | |

ESPECIFICACIONES

Modelo	GN900
Longitud del clavo X diámetro del vástago	L: 50 mm - 90 mm D: 2,9 mm - 3,3 mm
Capacidad de clavos	40 clavos (1 tira)
Ángulo de unión de los clavos (grados)	34
Forma de la cabeza del clavo	Recortada
Dimensiones (La X Al X An)	321 mm X 108 mm X 368 mm
Peso neto	3,2 kg
Tensión nominal	CC de 7,2 V

- Debido a nuestro programa continuo de investigación y desarrollo, las especificaciones aquí descritas están sujetas a cambios sin previo aviso.
- Nota: Las especificaciones pueden ser diferentes de un país a otro.

Símbolos

END107-3

Se utilizan los siguientes símbolos para el equipo.

Asegúrese de que comprende su significado antes del uso.



..... Utilícese sólo en un área ventilada para evitar náuseas y la pérdida del conocimiento. Nunca utilice la herramienta en atmósferas inflamables. Las emisiones de la herramienta pueden encender materiales inflamables.



..... No utilizar en andamios o escaleras de mano.

Uso previsto

ENE0591

La herramienta está pensada para trabajo interior preliminar, como fijar vigas de piso o vigas comunes y trabajo en estructuras en cubiertas de 2" x 4".

INSTRUCCIONES DE SEGURIDAD IMPORTANTES

ENB111-2

ADVERTENCIA: CUANDO SE UTILICE ESTA HERRAMIENTA SIEMPRE DEBEN TOMARSE PRECAUCIONES DE SEGURIDAD PARA REDUCIR EL RIESGO DE LESIONES PERSONALES, INCLUYENDO LAS SIGUIENTES:

LEA TODAS LAS INSTRUCCIONES

- Por su seguridad personal y para una utilización y un mantenimiento correctos de la herramienta, lea este manual de instrucciones antes de utilizar la herramienta.
- Utilice la herramienta sólo con la pila de combustible original de Makita.



..... Lea el manual de instrucciones.



..... Depósito bajo presión, manténgase alejado de lugares con temperaturas superiores a los 50°C (como los sometidos a radiación solar). Mantenga el depósito en un lugar bien ventilado.



..... Utilícese sólo en exteriores o habitaciones bien ventiladas. No aspire gas.



..... No utilizar cerca de llamas o sprays en superficies calientes. Durante el uso se puede formar una mezcla de aire y vapor inflamable/explosiva.



..... No dañar, perforar ni quemar, ni siquiera después del uso.



..... Utilice gafas de seguridad.



..... Si no está clavando clavos, mantenga los dedos alejados del disparador para evitar un disparo accidental.

- Nunca utilice la herramienta en espacios cerrados o mal ventilados.
- Utilice siempre gafas de seguridad para proteger sus ojos del polvo o de lesiones provocadas por clavos.
ADVERTENCIA:
Es responsabilidad del empleador garantizar que los operarios de la herramienta y otras personas de la zona de trabajo inmediata utilicen equipo de protección ocular.
- Para Australia y Nueva Zelanda solamente: Utilice siempre gafas de seguridad y una careta protectora para proteger sus ojos del polvo o de lesiones provocadas por clavos. Las gafas de seguridad y la careta protectora deben cumplir con los requisitos de AS/NZS 1336.
ADVERTENCIA:
Es responsabilidad del empleador garantizar que los operarios de la herramienta y otras personas de la zona de trabajo inmediata utilicen equipo de protección ocular. **(Fig. 1)**
- Utilice protección para la cabeza y protección para los oídos para protegerlos de la emisión de ruidos. Asimismo, lleve ropa ligera pero no suelta. Las mangas deben estar abotonadas o arremangadas. No debe llevarse corbata.
- Es peligroso apresurar el trabajo o forzar la herramienta. Maneje la herramienta con cuidado. No la utilice bajo la influencia del alcohol, drogas o sustancias similares.
- Pautas generales de manejo de la herramienta:
 - (1) Asuma siempre que la herramienta contiene clavos.
 - (2) No se apunte a usted mismo ni a nadie más con la herramienta, tanto si contiene clavos como si no.
 - (3) No active la herramienta a menos que la tenga puesta firmemente contra la pieza de trabajo.
 - (4) Trate la herramienta como un útil de trabajo.
 - (5) No juegue con la herramienta.
 - (6) No coja ni transporte la herramienta con el dedo en el disparador.
 - (7) No cargue clavos en la herramienta estando cualquiera de los controles de operación activado.
 - (8) No utilice la herramienta con ninguna otra fuente de alimentación distinta a la especificada en las instrucciones de funcionamiento/seguridad de la herramienta.
- No se debe utilizar una herramienta que no funcione debidamente.
- Pueden saltar chispas cuando se utiliza la herramienta. No utilice la herramienta cerca de materiales inflamables o volátiles, como gasolina, disolvente, pintura, gas, adhesivos, etc., ya que pueden encenderse, explotar y causar lesiones graves.
- El área debe estar suficientemente iluminada para asegurar una utilización segura. El área deberá estar despejada y libre de desechos. Tenga especial cuidado de mantener los pies sobre suelo firme y en equilibrio.
- En la proximidad solamente deben estar aquellas personas implicadas en el trabajo. Especialmente los niños deben mantenerse alejados en todo momento.
- Puede haber reglamentos locales concernientes al ruido que habrá que cumplir manteniendo los niveles de ruido dentro de los límites establecidos. En ciertos casos, se deberán utilizar celosías para contener el ruido.
- No juegue con el elemento de contacto: previene la descarga accidental, por lo que se debe mantener activado y colocado en su sitio. También es muy peligroso fijar el disparador en la posición ON (activado). No intente nunca atar el disparador. No utilice la herramienta si cualquier parte de los controles de operación de la herramienta está inoperable, desconectada, modificada, o no funciona correctamente.
- Compruebe siempre la herramienta antes de su uso para ver su estado general y si hay tornillos sueltos. Apriete según sea necesario.
- Asegúrese de que todos los sistemas de seguridad están en condiciones de funcionamiento antes de su utilización. La herramienta no debe funcionar si sólo se acciona el disparador o si sólo se presiona el brazo de contacto contra la madera. Solamente debe funcionar cuando se realicen ambas acciones. Haga una prueba sin clavos cargados y con el empujador en la posición totalmente presionada para ver si hay algún posible fallo de funcionamiento.
- Compruebe las paredes, techos, suelos, techumbres y elementos similares con cuidado para evitar descargas eléctricas, fugas de gas, explosiones, etc., ocasionadas por el contacto con cables con tensión, conductos o tuberías de gas.
- Utilice solamente los clavos especificados en este manual. La utilización de otros clavos puede ocasionar un mal funcionamiento de la herramienta.
- No utilice nunca clavadoras de clavos marcadas con el símbolo de "No utilizar en andamios o escaleras de mano" para aplicaciones específicas, por ejemplo:
 - cuando el cambio de un lugar de clavado a otro implique la utilización de andamios, escaleras, escaleras de mano, o construcciones en forma de escalera, por ejemplo, listones de techumbres;
 - cierre de cajas o cajones;
 - colocación de sistemas de seguridad de transportes, por ejemplo, en vehículos y vagones.
- No permita que personas no instruidas utilicen la herramienta.
- Asegúrese de que no haya nadie cerca antes de empezar a clavar. No intente clavar nunca desde el interior y exterior al mismo tiempo. Los clavos podrían atravesar los materiales y/o salir disparados, presentando un grave peligro.
- Observe el suelo donde pisa y mantenga su equilibrio con la herramienta. Asegúrese de que no haya nadie debajo cuando trabaje en lugares elevados para evitar peligros si se produjera un tirón o enganche repentino.
- En tejados y otros lugares elevados, clave a medida que avanza. Es fácil perder el equilibrio si clava moviéndose hacia atrás. Cuando clave contra superficies perpendiculares, clave de arriba hacia abajo. Haciéndolo de esta forma podrá realizar la operación de clavado fatigándose menos.

- Si clava equivocadamente encima de otro clavo o golpea un nudo en la madera, el clavo se torcerá o se atascará la herramienta. El clavo puede salir lanzado y golpear a alguien, o la propia herramienta puede reaccionar peligrosamente. Ponga los clavos con cuidado.
- No apunte con el puerto de expulsión a nadie de su alrededor. Mantenga las manos y pies alejados del área del puerto de expulsión.
- Nunca lleve la herramienta con el dedo en el disparador ni se la preste a nadie de esta forma. El disparo accidental puede ser extremadamente peligroso.
- Maneje la herramienta con cuidado, ya que dentro de la herramienta hay una presión muy alta que puede ser peligrosa si se produce una grieta debido a un manejo brusco (dejando caer o golpeando la herramienta). No intente grabar ni esculpir en la herramienta.
- Pare inmediatamente la operación de clavado si nota algo incorrecto o fuera de lo normal en la herramienta.
- Extraiga siempre la pila de combustible, el cartucho de la batería y todos los clavos:
 - (9) Cuando deje la herramienta sin atender.
 - (10) Antes de realizar cualquier mantenimiento o reparación.
 - (11) Antes de despejar un atasco.
 - (12) Antes de trasladar la herramienta a un nuevo lugar.
- Realice la limpieza y el mantenimiento inmediatamente después de terminar el trabajo. Mantenga la herramienta en perfectas condiciones. Lubrique las partes móviles para evitar la oxidación y minimizar el desgaste relacionado con la fricción. Quite todo el polvo de dichas partes.
- No modifique la herramienta sin la autorización de Makita.
- Pregunte en centros de servicio autorizados de Makita sobre la inspección periódica de la herramienta.
- Para conservar la SEGURIDAD y la FIABILIDAD del producto, los trabajos de reparación y otros trabajos de mantenimiento deben ser realizados en centros de servicio autorizados de Makita, utilizando siempre repuestos Makita.
- No intente mantener el elemento de contacto del disparador presionado con cinta adhesiva o alambre. Puede sufrir lesiones graves o morir.
- Conecte siempre el elemento de contacto como se indica en este manual. Se pueden clavar clavos accidentalmente si el mecanismo de seguridad no funciona correctamente.

GUARDE ESTAS INSTRUCCIONES.

ENC007-2

INSTRUCCIONES IMPORTANTES DE SEGURIDAD

PARA EL CARTUCHO DE LA BATERÍA

1. **Antes de utilizar el cartucho de la batería, lea todas las instrucciones y referencias de precaución que se encuentran en (1) el cargador de baterías, (2) la batería y (3) el producto que utiliza la batería.**
2. **No desmonte el cartucho de la batería.**
3. **Si el tiempo de funcionamiento es excesivamente corto, deje de utilizar la herramienta de inmediato. De lo contrario, existe el riesgo de sobrecalentamiento, quemaduras e incluso explosión.**
4. **Si se produce contacto ocular con electrolito, enjuáguese los ojos con agua limpia y acuda de urgencia al médico. Corre el riesgo de perder la visión.**
5. **No cortocircuite el cartucho de la batería:**
 - (1) **No toque los terminales con material conductor.**
 - (2) **Evite guardar el cartucho de la batería en un recipiente con otros objetos metálicos, como clavos, monedas, etc.**
 - (3) **No exponga el cartucho de la batería al agua o a la lluvia. Un cortocircuito puede provocar un elevado flujo de corriente, sobrecalentamiento, quemaduras o incluso una avería.**
6. **No almacene la herramienta ni el cartucho de la batería en lugares donde la temperatura supere los 50°C (122°F).**
7. **No quemee el cartucho de la batería aunque esté gravemente dañado o completamente gastado. El cartucho de la batería puede explotar si entra en contacto con fuego.**
8. **Procure que la batería no sufra golpes ni caídas.**

GUARDE ESTAS INSTRUCCIONES.

Consejos para conseguir una mayor duración de la batería

1. **Cargue la batería antes de que se descargue por completo.**
Cuando observe que la herramienta tiene menos potencia, deje de utilizarla y cargue el cartucho de la batería.
2. **No recargue nunca un cartucho de batería completamente cargado. La sobrecarga acorta la vida útil de la batería.**
3. **Cargue el cartucho de la batería a una temperatura ambiente que oscile entre 10°C y 40°C (50°F -**

104°F). Antes de cargar un cartucho de batería caliente, deje que se enfríe.

Visión general de la clavadora (Fig. 2)

DESCRIPCIÓN DEL FUNCIONAMIENTO

PRECAUCIÓN:

- Asegúrese siempre de extraer la pila de combustible, el cartucho de la batería y los clavos antes de ajustar la herramienta o de comprobar su funcionamiento.

Instalación o extracción del cartucho de la batería (Fig. 3)

- Apague siempre la herramienta antes de insertar o extraer el cartucho de la batería.
- Para extraer el cartucho de la batería, quítelo de la herramienta al mismo tiempo que presiona el botón situado en el lateral del cartucho, tal como se muestra en la figura. (Fig. 4)
- Para insertar el cartucho de la batería, sujételo de manera que la forma de la parte frontal del cartucho de la batería encaje en la forma de la abertura de instalación de la batería y deslícelo hasta que encaje en su lugar. Insértelo completamente hasta que quede firmemente sujeto y se bloquee con un clic. De lo contrario, el cartucho puede desprenderse accidentalmente de la herramienta y causar lesiones al operario o a alguna persona que se encuentre cerca.
- No haga fuerza al insertar el cartucho de la batería. Si no se inserta suavemente, significa que no lo está instalando correctamente.

Pila de combustible

Colocación de la válvula dosificadora en la pila de combustible (Fig. 5)

Quite la tapa (en caso de que la válvula dosificadora disponga de tapa). (Fig. 6)

Presione el extremo delantero. (Fig. 7)

Presione el extremo trasero hasta que se asiente.

Inserción de la pila de combustible (Fig. 8)

Empuje hacia arriba la cubierta del combustible y tire de ella para abrirla. (Fig. 9)

Inserte la pila de combustible con la boquilla de la válvula dosificadora orientada hacia el adaptador. (Fig. 10)

Inserte la boquilla correctamente en el pequeño orificio del adaptador. (Fig. 11)

Coloque la cubierta del combustible sobre la válvula dosificadora y presiónela para enclavarla.

Ajuste de la profundidad de clavado

PRECAUCIÓN:

- Extraiga la pila de combustible, el cartucho de la batería y los clavos antes de ajustar la profundidad de clavado. (Fig. 12)

Afije dos tornillos con la llave Allen y mueva el elemento de contacto. Vuelva a apretar los tornillos firmemente.

Luz indicadora

El color de la luz indicadora tiene los siguientes significados.

Verde intermitente: Estado normal

Rojo intermitente: Es necesario cargar el cartucho de la batería. **Rojo continuo:** Recargue el cartucho de la batería. No puede utilizarse la clavadora, porque la batería está descargada.

Naranja intermitente después de verde y rojo intermitente alternado: Se está ejecutando la detección de fallos. Extraiga el cartucho de la batería y vuelva a insertarlo para restablecer la herramienta. Si se ejecuta de nuevo la detección de fallos, hay una avería.

Gancho (Fig. 13)

El gancho es útil para colgar la herramienta temporalmente. El gancho se puede colocar en dos posiciones según dónde se vaya a colgar la herramienta. Para cambiar la posición del gancho, contráigalo por la base presionando por ambos lados y cámbielo de posición.

MONTAJE

PRECAUCIÓN:

- Extraiga siempre la pila de combustible y el cartucho de la batería.

Carga de la clavadora (Fig. 14)

Inserte una tira de clavos en la ranura de la parte posterior del depósito alimentador. (Fig. 15)

Tire de la palanca empujadora hacia la parte posterior del depósito alimentador y colóquela con cuidado detrás de la tira.

Extracción de los clavos (Fig. 16)

Tire de la palanca empujadora y presione el botón empujador para soltar el soporte de clavos; luego devuelva la palanca empujadora a su posición inicial empujando el botón empujador.

Deslice los clavos hacia la parte posterior del depósito alimentador y extraígalos.

MANEJO

PRECAUCIÓN:

- Asegúrese de que todos los sistemas de seguridad estén en condiciones de funcionamiento antes de su utilización. (Fig. 17)

1. Para clavar un clavo, coloque el elemento de contacto contra la pieza de trabajo.

Se activa el motor del ventilador, se inyecta gas combustible en la cámara de combustión y se mezcla con el aire producido por el ventilador. (Fig. 18)

2. Presione firmemente el elemento de contacto y accione el disparador.

El gas combustible se quema y se clava el clavo.

3. Sólo puede clavar otro clavo tras haber soltado el elemento de contacto y el disparador.

Mecanismo contra el disparo en vacío

Con este mecanismo se evita que la herramienta se dispare sin ningún clavo.

La prevención contra el disparo en vacío se activa automáticamente cuando sólo quedan entre 4 y 7 clavos.

Atasco en la clavadora de clavos

PRECAUCIÓN:

- Asegúrese siempre de extraer la pila de combustible y el cartucho de la batería antes de desatascar la herramienta.

Cuando la clavadora se atasque, haga lo siguiente:

1. Extraiga la pila de combustible, el cartucho de la batería y los clavos. **(Fig. 19)**
2. Afloje los (2) tornillos de montaje del depósito alimentador con la llave Allen. **(Fig. 20)**
3. Separe el conjunto de empuñadura y depósito alimentador de la punta de la herramienta y elimine el atasco.
4. Vuelva a alinear el conjunto de empuñadura y depósito alimentador a la punta, y apriete los tornillos de montaje.
5. Vuelva a colocar una tira de clavos.

ADVERTENCIA:

- Asegúrese de que los tornillos de montaje del depósito alimentador estén bien apretados y de que el depósito alimentador esté bien ajustado a la punta. Si trata de disparar la herramienta con el depósito alimentador flojo, se perderá el control de los clavos, se dañará la herramienta o se producirá una descarga de clavos hacia el operario.

MANTENIMIENTO

PRECAUCIÓN:

- Extraiga siempre la pila de combustible, el cartucho de la batería y los clavos antes de realizar trabajos de inspección o mantenimiento.

Limpieza del filtro de aire (Fig. 21)

Presione ligeramente hacia arriba la cubierta del combustible y gírela para abrirla. A continuación, retire la cubierta del filtro y simplemente levante el filtro. Dé unos golpecitos al filtro para quitar el polvo que pueda tener. Con jabón y agua puede dejarse el filtro casi como nuevo.

Mantenimiento tras una jornada de trabajo

Al final de una jornada de trabajo, realice una rutina de mantenimiento.

Estas sencillas instrucciones sirven para mantener la seguridad y el rendimiento de la clavadora inalámbrica Makita de clavos de cabeza recortada para estructuras.

Antes de salir del lugar de trabajo:

1. Extraiga el cartucho de la batería y guárdelo en una caja portaherramientas. Para transportar y guardar la herramienta, utilice siempre la caja de la clavadora inalámbrica de clavos de cabeza recortada para estructuras.

2. Deseche todas las pilas de combustible vacías. Recuerde desecharlas en lugares donde ningún niño las pueda encontrar y donde no se puedan aplastar, perforar o quemar.

Cuando llegue a casa:

- (1) Coloque el cartucho de la batería en el cargador si es necesario, lo cual es indicado por la luz indicadora roja que hay junto a la empuñadura.
- (2) Limpie la clavadora inalámbrica de clavos de cabeza recortada para estructuras con un paño limpio y suave.
- (3) Compruebe el estado del filtro y límpielo si tiene polvo.

Para conservar la SEGURIDAD y la FIABILIDAD del producto, los trabajos de reparación y otros trabajos de mantenimiento y ajuste deberán ser realizados en centros de servicio autorizados de Makita o en centros de servicio de fábrica, utilizando siempre repuestos Makita.

ACCESORIOS

PRECAUCIÓN:

- Se recomienda el uso de estos accesorios o complementos con la herramienta Makita especificada en este manual. El uso de otros accesorios o complementos puede conllevar el riesgo de ocasionar daños corporales. Utilice los accesorios o complementos solamente para su fin establecido.

Si necesita cualquier ayuda para obtener más información relativa a estos accesorios, pregunte al centro de servicio Makita local.

- Clavos
- Gafas de seguridad
- Pila de combustible
- Kit de limpieza
- Diversos tipos de baterías y cargadores originales de Makita

Sólo para los países europeos

Ruido y vibración

ENG045-2

Los niveles de ruido típicos de ponderación A son

nivel de presión sonora: 89 dB (A)

nivel de potencia sonora: 102 dB (A).

Utilice protección para los oídos.

El valor ponderado de aceleración no es superior a
2,5 m/s².

Incertidumbre (K): 1,5 m/s²

Estos valores se han obtenido conforme a EN792.

DECLARACIÓN DE CONFORMIDAD DE LA CE

Modelo GN900

ENH023-1

Declaramos bajo nuestra exclusiva responsabilidad que
este producto cumple con los siguientes estándares de
documentos estandarizados:

EN792, EN60745 y EN55014 de acuerdo con las
directivas del Consejo, 98/37/CE, 2004/108/CE.

CE 2008



Tomoyasu Kato
Director

Fabricante responsable:

Makita Corporation

3-11-8, Sumiyoshi-cho, Anjo, Aichi, JAPÓN

Representante autorizado en Europa:

Makita International Europe Ltd.

Michigan Drive, Tongwell, Milton Keynes, Bucks MK15
8JD, REINO UNIDO

Descrição geral

- | | | |
|-------------------------|--------------------------|---------------------|
| 1. Óculos de protecção | 8. Alavanca do impulsor | 15. Bocal de jacto |
| 2. Visor de protecção | 9. Carregador | 16. Parafusos |
| 3. Bateria | 10. Elemento de contacto | 17. Gancho |
| 4. Tampa de combustível | 11. Chave sextavada | 18. Tampa de filtro |
| 5. Gatilho | 12. Botão | 19. Filtro |
| 6. Luz indicadora | 13. Válvula doseadora | |
| 7. Botão do impulsor | 14. Tampa | |

ESPECIFICAÇÕES

Modelo	GN900
Comprimento dos pregos X Diâmetro da haste	Comp. prego: 50 mm - 90 mm D: 2,9 mm - 3,3 mm
Capacidade de pregos	40 pregos (1 tira)
Ângulo de disposição dos pregos (grau)	34
Tipo de cabeça de prego	Cortada
Dimensões (C X A X L)	321 mm X 108 mm X 368 mm
Peso líquido	3,2 kg
Voltagem nominal	CC 7,2 V

- Devido à pesquisa e desenvolvimento constantes, estas especificações estão sujeitas a alteração sem aviso prévio.
- Nota: estas especificações podem diferir de país para país.

Símbolos

END107-3

Descrição dos símbolos utilizados no equipamento.

Certifique-se de que compreende o seu significado, antes da utilização.



..... Ler o manual de instruções.



..... Recipiente sob pressão, manter afastado de temperaturas superiores 50°C (por ex.: radiação solar). Colocar o recipiente num local bem ventilado.



..... Utilizar apenas no exterior ou em divisões bem ventiladas. Não respirar o gás.



..... Não utilizar perto de chamas, nem pulverizar sobre superfícies quentes. Ao utilizar, poderá ser formada uma mistura de vapor-ar inflamável/explosiva.



..... Não danificar, perfurar ou queimar, mesmo após a utilização.



..... Usar óculos de segurança



..... Manter os dedos afastados do gatilho quando não estiver a pregar de forma a evitar disparos acidentais.



..... Utilizar apenas em áreas ventiladas de forma a evitar náuseas e desmaios. Nunca utilizar a ferramenta em atmosferas combustíveis. O escape da ferramenta pode incendiar materiais inflamáveis.



..... Não utilizar em andaimes ou escadas.

Utilização prevista

ENE0591

A ferramenta destina-se a trabalhos preliminares interiores tais como a fixação de vigas de sustentação de soalho ou caibros comuns e montagem de enquadramento em encaixes de 5 cm x 10 cm.

INSTRUÇÕES DE SEGURANÇA IMPORTANTES

ENB111-2

AVISO: DURANTE A UTILIZAÇÃO DESTA FERRAMENTA, DEVEM SER CUMPRIDAS AS PRECAUÇÕES DE SEGURANÇA BÁSICAS, PARA REDUZIR O RISCO DE FERIMENTOS, INCLUINDO AS SEGUINTE:

LEIA TODAS AS INSTRUÇÕES.

- Para garantir a segurança pessoal e um funcionamento e manutenção correctos da ferramenta, leia este manual de instruções antes de utilizar a ferramenta.
- Utilize a ferramenta somente com a célula de combustível genuína da Makita.
- Nunca utilize a ferramenta em espaços fechados ou mal ventilados.

- Use sempre óculos de segurança para proteger os seus olhos contra pó ou ferimentos devido aos pregos. AVISO:
É da responsabilidade da entidade empregadora garantir o uso do equipamento de protecção para os olhos por parte dos operadores e outras pessoas perto da área de trabalho.
- Apenas para a Austrália e Nova Zelândia Use sempre óculos de segurança e o visor de protecção para proteger os seus olhos contra pó ou ferimentos devido aos pregos. Os óculos de segurança e o visor de protecção devem respeitar os requerimentos de AS/ NZS 1336. AVISO:
É da responsabilidade da entidade empregadora garantir o uso do equipamento de protecção para os olhos por parte dos operadores e outras pessoas perto da área de trabalho. (Fig. 1)
- Use protecção para os ouvidos para os proteger contra os ruídos de trabalho e protecção para a cabeça. Use roupa leve mas não folgada. As mangas devem estar apertadas ou enroladas. Não devem ser usadas gravatas.
- Fazer o trabalho à pressa ou forçar a ferramenta é perigoso. Segure com cuidado na ferramenta. Não utilize quando estiver sob a influência de álcool, medicamentos ou substâncias semelhantes.
- Linhas orientadoras para a utilização da ferramenta:
 - (1) Certifique-se sempre de que a ferramenta contém pregos.
 - (2) Não aponte a ferramenta na sua direcção ou de alguém, independentemente de conter pregos ou não.
 - (3) Não active a ferramenta a não ser que a ferramenta seja colocada firmemente contra a peça de trabalho.
 - (4) Respeite a ferramenta como uma ferramenta de trabalho.
 - (5) Não é um brinquedo.
 - (6) Não segure ou transporte a ferramenta com um dedo no gatilho.
 - (7) Não carregue a ferramenta com pregos quando qualquer um dos comandos de funcionamento estiver activado.
 - (8) Não utilize a ferramenta com qualquer outra fonte de alimentação além da especificada nas instruções de funcionamento/segurança da ferramenta.
- Não deve ser utilizada uma ferramenta que não funcione correctamente.
- Por vezes saltam faíscas quando a ferramenta é utilizada. Não utilize a ferramenta perto de materiais voláteis e inflamáveis, tais como gasolina, diluente, tinta, gás, adesivos, etc., uma vez que estes se incendiarão e explodirão, provocando ferimentos graves.
- A área deve estar suficientemente iluminada para garantir um funcionamento seguro. A área deve estar desimpedida e limpa. Tenha especial atenção em manter um bom apoio e equilíbrio.
- Apenas as pessoas envolvidas no trabalho se devem encontrar nas proximidades. As crianças devem estar sempre afastadas.
- Poderão existir normas locais relativamente ao ruído, que devem ser cumpridas mantendo os níveis de ruído dentro dos limites indicados. Em determinados casos, devem ser utilizados elementos de isolamento acústico.
- Não brinque com o elemento de contacto: evita o accionamento accidental, não devendo ser removido. Fixar o gatilho na posição ON (ligado) é igualmente muito perigoso. Nunca tente apertar o gatilho. Não utilize a ferramenta se qualquer parte dos comandos estiver inoperacional, desligada, alterada ou a funcionar incorrectamente.
- Antes de utilizar, verifique sempre a condição geral da ferramenta e inspecione para ver se há parafusos soltos. Aperte-os como necessário.
- Certifique-se de que todos os sistemas de segurança estão a funcionar adequadamente antes de utilizar a ferramenta. A ferramenta não deve funcionar caso prima apenas o gatilho ou pressione apenas o elemento de contacto contra a madeira. Esta deve funcionar apenas ao executar ambas as acções. Faça um teste sem pregos e com o impulsor na posição de apertado para verificar se há problemas no funcionamento.
- Inspeccione cuidadosamente as paredes, tecto, pisos e telhados para evitar o risco de choque eléctrico, fuga de gás, explosões, etc. que podem resultar do contacto dos pregos com fios ligados, condutos ou canos de gás.
- Utilize apenas pregos especificados neste manual. A utilização de pregos diferentes pode causar o mau funcionamento da ferramenta.
- Nunca utilize pregadores marcados com a inscrição "Não utilizar em andaimes ou escadas" para aplicações específicas, por exemplo:
 - quando ao mudar de uma posição de trabalho para outra for preciso utilizar andaimes, degraus, escadas usadas em construção, como ripa de telhado;
 - ao fechar caixas ou grades;
 - ao fixar sistemas de segurança de transporte, como em veículos ou vagões.
- Não permita que pessoas não familiarizadas utilizem a ferramenta.
- Assegure-se de que não há ninguém nas proximidades antes de pregar. Nunca tente pregar do lado de dentro e do lado de fora ao mesmo tempo. Os pregos podem atravessar a madeira e/ou sair disparados, apresentando um perigo muito grave.
- Tenha cuidado e mantenha-se numa posição firme e equilibrada durante a utilização da ferramenta. Certifique-se de que ninguém está por baixo quando trabalhar em locais altos para evitar acidentes caso a mesma se enrosque em algo ou haja um movimento brusco e súbito.
- Ao trabalhar em telhados ou outros locais altos, pregue movendo-se para a frente. É fácil perder o equilíbrio se pregar movendo-se para trás. Quando está a pregar

GUARDE ESTAS INSTRUÇÕES.

ENC007-2

INSTRUÇÕES DE SEGURANÇA IMPORTANTES

RELATIVAS À BATERIA

1. **Antes de utilizar a bateria, leia as instruções e chamadas de atenção de:** (1) o carregador da bateria, (2) a bateria e (3) o produto que utiliza a bateria.
2. **Não desmonte a bateria.**
3. **Se o tempo de utilização com a bateria se tornar demasiado curto, deve parar imediatamente. Se continuar, pode causar sobreaquecimento, incêndio e mesmo explosão.**
4. **Se o electrólito entrar em contacto com os olhos, enxague-os com água limpa e consulte imediatamente um médico. Os riscos incluem perda de visão.**
5. **Não provoque um curto-circuito na bateria:**
 - (1) Não deixe que quaisquer materiais condutores entrem em contacto com os terminais da bateria.
 - (2) Evite guardar a bateria juntamente com outros objectos de metal como moedas, por exemplo.
 - (3) Não exponha a bateria a água ou chuva. Um curto-circuito na bateria pode criar uma grande carga eléctrica, sobreaquecimento, fogo e uma quebra da corrente.
6. **Não guarde a ferramenta e a bateria em locais onde a temperatura possa atingir ou exceder 50°C.**
7. **Não incinere a bateria, nem mesmo se esta estiver irremediavelmente danificada ou completamente gasta. Pode explodir e causar um incêndio.**
8. **Não a deixe cair e evite o choque com outros objectos.**

GUARDE ESTAS INSTRUÇÕES.

Sugestões para o máximo de tempo de vida da bateria

1. **Não espere que a bateria se gaste completamente para voltar a carregá-la. Pare a ferramenta e carregue a bateria sempre que detectar um baixo nível de energia.**
2. **Nunca volte a carregar uma bateria já completamente carregada. O carregamento excessivo diminui o tempo de vida das baterias.**
3. **Carregue a bateria em locais onde a temperatura se situe entre 10°C e 40°C (50°F - 104°F). Se a bateria estiver quente, deixe-a arrefecer antes de iniciar o carregamento.**

contra superfícies perpendiculares, pregue de cima para baixo. Assim, poderá executar a operação de pregar com menos cansaço.

- O prego poderá entortar-se ou a ferramenta poderá encravar se pregar sobre outro prego por engano ou se atingir um nó da madeira. O prego poderá sair disparado e atingir alguém ou a própria ferramenta pode reagir de modo perigoso. Coloque os pregos com cuidado.
- Não aponte a porta de ejeção a ninguém que se encontre nas proximidades. Mantenha as mãos e os pés afastados da área da porta de ejeção.
- Nunca transporte a ferramenta ou a entregue a alguém com o dedo no gatilho. O disparo acidental pode ser extremamente perigoso.
- Manuseie a ferramenta com cuidado dado que há pressão muito alta dentro da mesma e pode ser perigoso se houver uma fissura causada por um manuseamento impróprio (derrubar ou bater a mesma). Não tente entalhar ou esculpir na ferramenta.
- Pare de pregar imediatamente se notar qualquer problema ou algo anormal na ferramenta.
- Retire sempre a célula de combustível, a bateria e todos os pregos:
 - (9) Quando sem vigilância.
 - (10) Antes de efectuar qualquer operação de manutenção ou reparação.
 - (11) Antes de eliminar qualquer obstrução.
 - (12) Antes de levar a ferramenta para um novo local.
- Efectue a limpeza e a manutenção logo após terminar o trabalho. Mantenha a ferramenta em óptimas condições. Lubrifique as peças giratórias para evitar que fiquem enferrujadas e para minimizar o desgaste devido à fricção. Limpe a poeira das peças.
- Não modifique a ferramenta sem autorização prévia da Makita.
- Solicite a inspeção periódica da ferramenta nos centros de assistência autorizada Makita.
- Para manter os níveis de SEGURANÇA e FIABILIDADE definidos para este produto, as reparações e operações de manutenção devem ser executadas por centros de assistência Makita autorizados, utilizando sempre peças de substituição da Makita.
- Não tente manter o elemento de contacto do gatilho pressionado com fita-cola ou fios. Pode provocar morte ou ferimentos graves.
- Verifique sempre o elemento de contacto de acordo com as instruções constantes neste manual. Os pregos podem não penetrar o suficiente se o mecanismo de segurança não estiver a funcionar correctamente.

Visão geral da máquina de pregar (Fig. 2)

DESCRIÇÃO DO FUNCIONAMENTO

PRECAUÇÃO:

- Certifique-se sempre de que retira a célula de combustível, a bateria e os pregos antes de ajustar ou verificar funções na ferramenta.

Inserir ou retirar a bateria (Fig. 3)

- Sempre que for inserir ou retirar a bateria, desligue a ferramenta.
- Para remover a bateria, puxe-a para fora ao mesmo tempo que prime o botão de segurança no lado do cartucho, conforme indicado na imagem. (Fig. 4)
- Para introduzir a bateria, segure-a de maneira a que a forma dianteira da bateria encaixe na abertura do orifício da bateria. Insira-a completamente até fixar em posição com um clique. Caso contrário, pode cair da ferramenta e causar ferimentos em si, ou em alguém que esteja perto de si.
- Não exerça força ao inserir a bateria. Se não encaixar facilmente é porque não está correctamente posicionada.

Célula de combustível

Fixar a válvula doseadora à célula de combustível (Fig. 5)

Separe a tampa (no caso de a válvula doseadora ser fornecida com a tampa). (Fig. 6)

Empurre a extremidade dianteira. (Fig. 7)

Empurre a extremidade traseira até assentar.

Inserir a célula de combustível (Fig. 8)

Empurre para cima e puxe a tampa de combustível para a abrir. (Fig. 9)

Insira a célula de combustível direccionando o bocal de jacto da válvula doseadora no sentido do adaptador. (Fig. 10)

Insira o bocal de jacto correctamente no pequeno orifício do adaptador. (Fig. 11)

Coloque a tampa de combustível sobre a válvula doseadora e empurre-a para baixo para trancar.

Ajustar a profundidade de colocação dos pregos

PRECAUÇÃO:

- Retire a célula de combustível, a bateria e os pregos antes de ajustar a profundidade de colocação dos pregos. (Fig. 12)

Com a chave sextavada, desaperte dois parafusos e mova o elemento de contacto. Volte a apertar os parafusos firmemente.

Luz indicadora

A cor da luz indicadora significa o seguinte.

Verde intermitente: Estado normal

Vermelho intermitente: Necessita de recarregar a bateria **Vermelho aceso:** Recarregue a bateria. Não é possível pregar porque não existe capacidade de bateria restante.

Cor-de-laranja intermitente após verde e vermelho intermitentes alternadamente: Está a ser executada a detecção de falhas. Retire e volte a colocar a bateria para proceder à reposição. Se a detecção de falhas voltar a ser executada, trata-se de um estado de mau funcionamento.

Gancho (Fig. 13)

O gancho é muito útil para pendurar a ferramenta temporariamente. O gancho pode ser definido em duas posições, de acordo com o local onde a ferramenta irá ser pendurada.

Para alterar a posição do gancho, contraia-o na base empurrando ambos os lados para dentro e desloque-o para outra posição.

MONTAGEM

PRECAUÇÃO:

- Retire sempre a célula de combustível e a bateria.

Carregar o pregador (Fig. 14)

Insira uma tira de pregos na ranhura na parte traseira do carregador. (Fig. 15)

Puxe a alavanca do impulsor até à parte traseira do carregador e faça regressar suavemente à extremidade da tira.

Retirar pregos (Fig. 16)

Puxe a alavanca do impulsor e empurre o botão do impulsor para libertar o suporte de pregos, depois faça regressar a alavanca ao topo empurrando o botão do impulsor.

Faça deslizar os pregos em direcção à parte traseira do carregador e retire-os.

FUNCIONAMENTO

PRECAUÇÃO:

- Certifique-se de que todos os sistemas de segurança estão a funcionar adequadamente antes de utilizar a ferramenta. (Fig. 17)

1. Para pregar um prego, coloque o elemento de contacto contra a peça de trabalho.

É activado o motor do ventilador e é injectado gás combustível no câmara de combustão, sendo misturado com ar pelo ventilador. (Fig. 18)

2. Segure o elemento de contacto premindo-o firmemente e prima o gatilho.

O gás combustível entra em combustão e o prego é colocado.

3. Para colocar um outro prego terá de libertar o elemento de contacto e o gatilho

Mecanismo anti-accionamento

Este é o mecanismo que evita que a ferramenta seja disparada sem prego.

A prevenção anti-acionamento é automaticamente accionada quando os pregos chegam às últimas 4 a 7 peças.

Máquina de pregar encravada

PRECAUÇÃO:

- Certifique-se sempre de que retira a célula de combustível e a bateria antes de eliminar qualquer obstrução.

Se o pregador ficar encravado, efectue o seguinte.

1. Retire a célula de combustível, a bateria e os pregos. (Fig. 19)
2. Desaperte os (2) parafusos de montagem do carregador com a chave sextavada. (Fig. 20)
3. Afaste a pega/carregador da ponta da ferramenta e elimine a obstrução.
4. Volte a alinhar a pega/carregador com a ponta e aperte os parafusos de montagem.
5. Volte a carregar uma tira de pregos.

AVISO:

- Certifique-se de que os parafusos de montagem do carregador estão apertados e de que o carregador está preso à ponta. A tentativa de disparar a ferramenta com um carregador solto irá resultar na perda do controlo dos pregos, danos na ferramenta ou na descarga de pregos na direcção ao operador.

MANUTENÇÃO

PRECAUÇÃO:

- Retire sempre a célula de combustível, a bateria e os pregos antes de tentar efectuar a inspecção ou manutenção.

Limpar o filtro de ar (Fig. 21)

Prima a tampa de combustível ligeiramente para cima e rode para abrir. De seguida, retire a tampa de filtro e extraia o filtro. Sacuda-o ligeiramente para eliminar qualquer pó. A utilização de sabão e água permite fazer o filtro voltar a um estado quase novo.

Manutenção após trabalho diário

No final do trabalho diário, efectue uma rotina de fim de dia trabalho.

Estes passos simples baseiam-se na manutenção da segurança e desempenho da pistola de pregos de cabeça cortada sem fio Makita.

Antes de abandonar o local de trabalho:

1. Retire a bateria e guarde-a na bolsa de transporte da ferramenta. Utilize sempre a bolsa da pistola de pregos de cabeça cortada sem fio para transportar e armazenar a ferramenta.
2. Descarte todas as células de combustível vazias. Lembre-se de as descartar num local onde não sejam encontradas por crianças, esmagadas, perfuradas ou queimadas.

Ao chegar a casa:

- (1) Se necessário, coloque a bateria no carregador conforme indicado pela luz indicadora vermelha junto à pega.

- (2) Limpe a pistola de pregos de cabeça cortada sem fio com um pano macio e limpo.

- (3) Verifique o filtro e limpe-o se tiver pó.

Para manter os níveis de SEGURANÇA e FIABILIDADE definidos para este produto, reparações, operações de manutenção ou ajustes devem ser executados por centros de assistência Makita autorizados e, no caso de substituição de peças, estas devem ser igualmente Makita.

ACESSÓRIOS

PRECAUÇÃO:

- Os seguintes acessórios ou extensões são os recomendados para utilizar com a ferramenta Makita especificada neste manual. A utilização de outros acessórios ou extensões pode provocar ferimentos. Utilize cada acessório ou extensão apenas para o fim indicado.

Se precisar de informações adicionais relativas aos acessórios, contacte o centro local de assistência Makita.

- Pregos
- Óculos protectores
- Célula de combustível
- Kit de limpeza
- Vários tipos de baterias e carregadores Makita genuínos.

Apenas para os países europeus

Ruídos e vibrações

ENG045-2

Os níveis típicos de ruído ponderado A são nível de pressão sonora: 89 dB (A)
nível de potência sonora: 102 dB (A).

Use protecção para os ouvidos.

A raiz quadrada do valor médio ponderado da variação da aceleração não é superior a 2,5 m/s².

Imprecisão (K): 1,5 m/s²

Estes valores foram obtidos segundo a norma EN792.

DECLARAÇÃO DE CONFORMIDADE CE

Modelo; GN900

ENH023-1

Declaramos, sob a nossa única responsabilidade, que este produto está em conformidade com as seguintes normas de documentos normalizados; EN792, EN60745 e EN55014 em conformidade com as Directivas do Conselho, 98/37/EC, 2004/108/EC.

CE 2008



Tomoyasu Kato
Administrador

Fabricante responsável:

Makita Corporation

3-11-8, Sumiyoshi-cho, Anjo, Aichi, JAPÃO

Representante autorizado na Europa:

Makita International Europe Ltd.

Michigan Drive, Tongwell, Milton Keynes, Bucks MK15 8JD, INGLATERRA

Forklaring til generel oversigt

- | | | |
|------------------------|------------------------------|------------------|
| 1. Beskyttelsesbriller | 8. Håndtag til trykanordning | 15. Dyse |
| 2. Ansigtsskærm | 9. Magasin | 16. Skruer |
| 3. Batteripakke | 10. Kontaktelement | 17. Krog |
| 4. Gaspatrondæksel | 11. Unbrakonøgle | 18. Filterdæksel |
| 5. Afbryderkontakt | 12. Knap | 19. Filter |
| 6. Indikatorlampe | 13. Doseringsventil | |
| 7. Trykknop | 14. Hætte | |

SPECIFIKATIONER

Model	GN900
Sømlængde X skaftlængde	Sømlængde: 50 mm - 90 mm D: 2,9 mm - 3,3 mm
Sømkapacitet	40 søm (1 bånd)
Sømkollationsvinkel (grad)	34
Udformning af sømhovedet	Reduceret
Størrelse (L x H x B)	321 mm x 108 mm x 368 mm
Nettovægt	3,2 kg
Nominel spænding	7,2 V DC

- På grund af vores løbende forsknings- og udviklingsprogram kan specifikationerne heri ændres uden forudgående varsel.
- Bemærk: Specifikationerne kan variere fra land til land.

Symboler

END107-3

Følgende viser de symboler, der benyttes til udstyret. Vær sikker på, at du forstår deres betydning, før du bruger værktøjet.



..... Læs brugsanvisningen.



..... Beholder under tryk som skal holdes væk fra temperaturer over 50°C (fx solstråler). Opbevar beholderen på et sted med ordentlig ventilation.



..... Må kun bruges udenfor og i rum med ordentlig ventilation. Undlad at indånde gas.



..... Må ikke bruges i nærheden af flammer eller sprøjtes på varme overflader. Under brug kan der dannes en brandfarlig/eksplosiv damp-luftblanding.



..... Må ikke beskadiges, punkteres eller brændes, selv efter brug.



..... Bær beskyttelsesbriller



..... Hold fingrene væk fra afbryderkontakten, når du ikke slår søm i, for at undgå utilsigtet affyring.



..... Må kun bruges på steder med ordentlig ventilation for at undgå kvalme og tab af bevidsthed. Brug aldrig værktøjet i brandfarlige atmosfærer. Værktøjets udstødning kan antænde brandfarlige materialer.



..... Anvend ikke enheden på stilladser eller stiger.

Tilsigtet brug

ENE0591

Dette værktøj er tiltænkt til det indledende indvendige arbejde såsom fastgørelse af bjælker eller almindelige spær og rammekonstruktion i et 2 "x 4"-hus.

VIGTIGE SIKKERHEDSINSTRUKTIONER

ENB111-2

ADVARSEL: UNDER ANVENDELSEN AF VÆRKTØJET SKAL DU ALTID OVERHOLDE GRUNDLÆGENDE SIKKERHEDSFORANSTALTNINGER FOR AT MINDSKE RISIKOEN FOR PERSONSKADE, INKLUSIVE FØLGENDE:

LÆS ALLE INSTRUKTIONER.

- Af hensyn til din personlige sikkerhed og for at sikre korrekt brug og vedligeholdelse af værktøjet skal du læse denne brugsanvisning, før du anvender værktøjet.
- Brug kun værktøjet sammen med en ægte Makita gaspatron.
- Brug aldrig værktøjet i lukkede eller dårligt ventilerede rum.

- Bær altid beskyttelsesbriller for at beskytte øjnene mod støv eller skader forårsaget af søm.

ADVARSEL:

Det er arbejdsgiverens ansvar at påbyde brug af beskyttelsesudstyr til øjnene af brugerne af værktøjet samt af andre personer i arbejdsområdet.

- Gælder kun for Australien og New Zealand. Bær altid beskyttelsesbriller og ansigtsmaske for at beskytte øjnene mod støv eller skader forårsaget af søm. Beskyttelsesbrillerne og ansigtsskærmen skal være i overensstemmelse med AS/NZS 1336.

ADVARSEL:

Det er arbejdsgiverens ansvar at påbyde brug af beskyttelsesudstyr til øjnene af brugerne af værktøjet samt af andre personer i arbejdsområdet. **(Fig. 1)**

- Bær høreværn for at beskytte hørelsen mod motorstøj, og bær desuden hovedbeskyttelse. Bær også let, men ikke løs beklædning. Ærmer skal være knappet eller rullet op. Undlad at bære slips.
- Det er farligt at arbejde forhastet eller bruge magt på værktøjet. Hånder værktøjet forsigtigt. Undlad at benytte det, hvis du er påvirket af alkohol, medicin eller lignende.
- Generelle retningslinjer for brug af værktøjet:
 - (1) Gå altid ud fra, at værktøjet indeholder søm.
 - (2) Ret ikke værktøjet mod dig selv eller andre, uanset om det indeholder søm eller ikke.
 - (3) Aktiver ikke værktøjet, medmindre det er trykket ordentligt ind mod arbejdsområdet.
 - (4) Respekter værktøjet som et arbejdsredskab.
 - (5) Undlad at lege med værktøjet.
 - (6) Undlad at holde eller bære værktøjet med en finger på afbryderkontakten.
 - (7) Undlad at sætte søm i værktøjet, mens en af betjeningskontrollerne er aktiveret.
 - (8) Undlad at betjene værktøjet med en anden strømkilde end den, der er angivet i værktøjets betjenings- og sikkerhedsinstruktioner.
- Anvend ikke værktøjet, hvis det ikke fungerer korrekt.
- Der kan forekomme gnister, når værktøjet anvendes. Undlad at anvende værktøjet i nærheden af flygtige, brændbare materialer som benzin, fortynder, maling, gas, klæbemidler osv. De kan antændes og eksplodere og forårsage alvorlig personskade.
- Arbejdsområdet skal være tilstrækkeligt oplyst til at sikre forsvarlig anvendelse. Området skal være rent og frit for affald. Sørg især for at sikre godt fodfæste og god balance.
- Kun personer, der deltager i arbejdet, må opholde sig i nærheden. Især må børn ikke komme i nærheden.
- Der kan gælde lokal lovgivning vedrørende støj, som skal overholdes for at holde støjniveauet inden for de lovmæssige grænser. I nogle tilfælde skal der benyttes skodder til at dæmpe støjen.
- Undlad at pille ved kontaktelelementet. Det forhindrer udladning ved uheld, og det skal derfor forblive monteret og må ikke fjernes. Det er også meget farligt at fastlåse afbryderkontakten i ON-stillingen. Forsøg aldrig at fastlåse afbryderkontakten. Undlad at betjene værktøjet, hvis nogen del af værktøjets

- betjeningskontroller ikke kan benyttes, er deaktiveret, ændret eller ikke fungerer korrekt.
- Kontroller altid værktøjets generelle tilstand, og se efter løse skruer før brugen. Stram til efter behov.
- Sørg for, at alle sikkerhedssystemer fungerer, før anvendelsen. Værktøjet må ikke fungere, hvis der kun trækkes i aftrækkeren, eller kun hvis kontaktarmen trykkes mod træet. Det må kun fungere, når begge disse handlinger udføres. Kontroller for eventuel fejlfunktion uden søm i værktøjet og med trykanordningen i fuldt indtrykket position.
- Kontroller vægge, lofter, gulve, tage og lignende omhyggeligt for at undgå risiko for elektrisk stød, gasudslivning, eksplosioner osv. ved at ramme strømførende ledninger, vandledninger eller gasrør.
- Brug kun de søm, der er angivet i denne brugsanvisning. Brug af andre søm kan beskadige værktøjet.
- Anvend aldrig sømpistoler, der er mærket med symbolet "Må ikke anvendes på stilladser, stiger" til bestemte formål, f.eks.:
 - Ved skift fra et arbejdssted til et andet, der involverer brug af stilladser, trapper, stiger eller stige-lignende konstruktioner som f.eks. taglægger.
 - Lukning af kasser eller tremmekasser.
 - Montering af transportsikkerhedssystemer, f.eks. på biler og vogne.
- Lad ikke uøvede personer benytte værktøjet.
- Sørg for, at der ikke er andre i nærheden, før du begynder at sømme. Forsøg aldrig at sømme fra både indersiden og ydersiden samtidigt. Søm kan gå igennem og/eller flyve væk og udgøre en alvorlig fare.
- Vær opmærksom på fodfæstet, og hold balancen med værktøjet. Sørg for, at der ikke er nogen under dig, når du arbejder på højtliggende steder for at forebygge fare i tilfælde af pludselige ryk eller ved fastklemning.
- På tage og andre højtliggende steder skal du sømme, efterhånden som du bevæger dig fremad. Du risikerer at miste fodfæstet, hvis du sømmer, mens du går baglæns. Når du sømmer i vinkelrette overflader, skal du sømme oppefra og nedefter. På denne måde kan du arbejde uden at blive træet.
- Et søm kan blive bøjet eller sidde fast i værktøjet, hvis du ved en fejltagelse slår et søm oven i et andet søm eller rammer en knast i træet. Sømmet kan blive slynget ud og ramme personer, eller selve værktøjet kan reagere på en farlig måde. Vær omhyggelig med placeringen af søm.
- Ret ikke udstødsporten mod personer i nærheden. Hold hænder og fødder borte fra området omkring udstødsporten.
- Bær aldrig værktøjet med fingeren på afbryderkontakten og giv aldrig værktøjet videre til andre på den måde. Utilsigtet affiring af søm kan være ekstremt farlig.
- Hånder værktøjet forsigtigt, da der er højtryk inde i værktøjet, som kan være farlig, hvis hårdhændet behandling (stød eller slag) forårsager revner. Forsøg ikke at snitte eller gravere i værktøjet.
- Stop øjeblikkeligt med at sømme, hvis du bemærker en fejlfunktion eller noget unormalt ved værktøjet.

- Sørg altid for at fjerne gaspatronen, batteripakken og alle sømmene:
 - (9) Når værktøjet efterlades uden opsyn.
 - (10) Før du udfører vedligeholdelse eller reparation.
 - (11) Før du fjerner fastklemt søm.
 - (12) Før værktøjet transporteres til et andet sted.
- Udfør rengøring og vedligeholdelse, umiddelbart efter at du er færdig med arbejdet. Hold værktøjet i perfekt stand. Smør bevægelige dele for at forebygge rust og slid som følge af friktion. Tør alt støv bort fra delene.
- Undlad at ændre værktøjet uden godkendelse fra Makita.
- Bed Makitas autoriserede servicecentre om at udføre regelmæssigt eftersyn af værktøjet.
- For at holde produktet SIKKERT og PÅLIDELIGT skal vedligeholdelse udføres af autoriserede Makita-servicecentre, og der skal benyttes Makita-reservedele.
- Forsøg ikke at holde afbryderkontakten nede ved hjælp af tape eller ståltråd. Det kan afstedkomme dødsfald eller alvorlig personskade.
- Kontroller altid kontaktelementer som anvist i denne brugsanvisning. Sø姆 kan affyres utilsigtet, hvis sikkerhedsmekanismen ikke fungerer korrekt.

GEM DISSE INSTRUKTIONER.

ENC007-2

VIGTIGE SIKKERHEDSINSTRUKTIONER

FOR BATTERIPAKKEN

1. Før brugen af batteripakken skal du læse alle instruktioner og advarsler på (1) batteriopladeren, (2) batteriet og (3) det produkt, som batteriet anvendes i.
2. Skil ikke batteripakken ad.
3. Hvis driftstiden bliver betydeligt kortere, skal du straks ophøre med brugen. Brug kan medføre risiko for overophedning, risiko for forbrændinger eller endog eksplosion.
4. Hvis du får elektrolyt i øjnene, skal du med det samme rense øjnene med rent vand og søge læge. Dette kan medføre tab af synet.
5. Kortslut ikke batteripakken:
 - (1) Undgå at berøre terminalerne med ledende materiale.
 - (2) Undgå at opbevare batteripakken i en beholder med andre metalgenstande som f.eks. søm, mønter osv.
 - (3) Udsæt ikke batteripakken for vand eller regn. Hvis batteriet kortsluttes, kan det medføre voldsom strøm, overophedning, mulige forbrændinger og endog nedbrud.
6. Undgå at opbevare værktøjet og batteripakken på steder, hvor temperaturen kan komme op på eller overstige 50°C (122°F).
7. Sæt ikke ild til batteripakken, selvom den er alvorligt beskadiget eller helt udtjent. Batteripakken kan eksplodere ved brand.

8. Undgå at tabe eller slå på batteriet.

GEM DISSE INSTRUKTIONER.

Tips til, hvordan du forlænger batteriets levetid

1. Oplad batteripakken, før den bliver helt afladet. Ophør med at bruge værktøjet, og udskiŧ batteripakken, hvis strømmen til værktøjet aftager.
2. Oplad aldrig en fuldt opladet batteripakke. Overopladning forkorter batteriets levetid.
3. Oplad batteripakken ved stuetemperatur på 10°C - 40 °C (50°F - 104°F). Lad batteripakken køle ned, før den oplades, hvis den er varm.

Oversigt over sømpistolen (Fig. 2)

FUNKTIONSBESKRIVELSE

FORSIGTIG:

- Sørg altid for at fjerne gaspatronen, batteripakken og sømmene, inden du justerer eller kontrollerer funktionen af værktøjet.

Montering eller afmontering af batteripakken (Fig. 3)

- Sluk altid for værktøjet, før du monterer eller afmonterer batteripakken.
- Ved afmontering af batteripakken trækkes den ud af værktøjet, mens der trykkes på knappen på siden af pakken, som vist på figuren. (Fig. 4)
- Når du sætter batteripakken i, skal du holde den sådan, at forkanten på batteripakken passer ind i batteriåbningen, og skubbe den ind på plads. Sæt den altid hele vejen ind, indtil den låses på plads med et lille klik. Ellers kan den falde ud af værktøjet og skade dig eller andre personer i nærheden.
- Brug ikke magt ved montering af batteripakken. Hvis den ikke glider let ind, er den ikke indsat korrekt.

Gaspatron

Monter doseringsventilen på gaspatronen (Fig. 5)

Løsn hættten (hvis doseringsventilen er udstyret med en hætte). (Fig. 6)

Tryk ind på den forreste kant. (Fig. 7)

Tryk ind på den bagerste kant indtil den sidder på plads.

Isætning af gaspatronen (Fig. 8)

Tryk op og og træk i gaspatrondækslet for at åbne det. (Fig. 9)

Isæt gaspatronen med dysen på doseringsventilen vendende mod adapteren. (Fig. 10)

Sæt dysen ordentligt ind i det lille hul i adapteren. (Fig. 11)

Placer gaspatrondækslet over doseringsventilen og tryk ned for at låse det fast.

Justering af sømbylden

FORSIGTIG:

- Fjern gaspatronen, batteripakken og sømmene, inden du justerer sømbylden. (Fig. 12)

Løsn de to skruer med unbrakonøglen og flyt kontaktelemetet. Spænd skruerne ordentligt til igen.

Indikatorlampe

Farven på indikatorlampen har følgende betydninger.

Blinker grønt: Normal status

Blinker rødt: Batteripakken behøver genopladning **Lyser rødt:** Genoplad batteripakken. Kan ikke sømme pga. mangel på strøm på batteriet.

Blinker orange efter at have blinket henholdsvis grønt og rødt. Fejldetektion kører. Tag batteripakken ud og sæt den i igen for at nulstille værktøjet. Hvis fejldetektionen kører igen, er der funktionsfejl på værktøjet.

Krog (Fig. 13)

Krogen er praktisk til midlertidigt at hænge værktøjet i. Krogen kan indstilles i to positioner, alt efter hvor værktøjet skal hænges.

For at ændre positionen af krogen skal du trykke ind fra begge sider nederst på krogen, og så skifte til anden position.

MONTERING

FORSIGTIG:

- Sørg altid for at fjerne gaspatronen og batteripakken.

Isætning af søm i sømpistolen (Fig. 14)

Indsæt en strimmel søm i sprækken bagerst i magasinet. (Fig. 15)

Træk håndtaget til trykanordningen helt tilbage i magasinet og før det forsigtigt tilbage til enden af strimlen.

Udtagning af søm (Fig. 16)

Træk i håndtaget til trykanordningen og tryk på trykknappen for at frigøre sømfremføreren og returner håndtaget til trykanordningen til toppen ved at trykke på trykknappen.

Skub sømmene bagud i magasinet og tag dem ud.

BETJENING

FORSIGTIG:

- Sørg for, at alle sikkerhedssystemer fungerer, før anvendelsen. (Fig. 17)
- 1. For at slå søm i skal du først placere kontaktelemetet på arbejdsområdet.

Ventilatormotoren aktiveres, der sprøjtes gas ind i forbrændingskammeret, og det blandes med luft vha. ventilatoren. (Fig. 18)

2. Hold kontaktelemetet trykket ordentligt ned og træk i afbryderkontakten.

Gassen forbrændes, og sømmet slås i.

3. Yderligere islåsning af søm kan kun udføres ved at både kontaktelemetet og afbryderkontakten udløses.

Mekanisme til forhindring af affyring uden søm

Det er en mekanisme til at forhindre at værktøjet affyres uden søm.

Mekanismen til forhindring af affyring uden søm indstilles automatisk, når der kun er 4-7 søm tilbage.

Fastklemt sømpistol

FORSIGTIG:

- Sørg altid for at fjerne gaspatronen og batteripakken, inden du afhjælper fastklemning.

Gør følgende, hvis sømpistolen sætter sig fast.

1. Fjern gaspatronen, batteripakken og sømmene. (Fig. 19)
2. Løsn magasinets (2) monteringskruer med unbrakonøglen. (Fig. 20)
3. Træk håndtaget/magasinet væk fra spidsen af værktøjet og afhjælp fastklemningen.
4. Ret igen håndtaget/magasinet ind med spidsen og spænd monteringskruerne til.
5. Isæt en strimmel søm.

ADVARSEL:

- Sørg for, at magasinets monteringskruer er spændte, og at magasinet er spændt fast til spidsen. Hvis et værktøj forsøges affyret med et løst magasin, mistes kontrollen over sømmene, værktøjet beskadiges eller der kan affyres søm mod brugeren.

VEDLIGEHOLDELSE

FORSIGTIG:

- Sørg altid for at fjerne gaspatronen, batteripakken og sømmene, før du udfører eftersyn eller vedligeholdelse.

Rengøring af luftfilteret (Fig. 21)

Tryk en lille smule op på gaspatrondækslet og drej det åbent. Fjern derefter filterdækslet og tag filteret ud. Bank let på filteret for at fjerne støv. Vand og sæbe genopretter filteret, så det næsten bliver som nyt.

Vedligeholdelse efter dagligt arbejde

Udfør en afslutningsrutine ved arbejdsdagens ophør. Disse enkle trin er for at vedligeholde sikkerheden og ydeevnen af din Makita ledningsfri sømpistol til søm m. reduceret hoved.

Inden du forlader arbejdsstedet:

1. Tag batteripakken ud og læg værktøjet ned i en værktøjskuffert. Brug altid kufferten til den ledningsfri sømpistol til søm m. reduceret hoved ved transport og opbevaring af værktøjet.
2. Bortskaf alle tomme gaspatroner. Sørg for at bortskaffe disse gaspatroner således, at de ikke bliver fundet af børn, knust, punkteret eller brændt.

Når du kommer hjem:

- (1) Placer batteripakken i opladeren, hvis den behøver at oplades, som indikeret vha. den røde indikatorlampe nær håndtaget.

(2) Tør din ledningsfri sømpistol til søm m. reduceret hoved af med en ren, blød klud.

(3) Kontroller filteret og rengør det, hvis det er støvet.

For at holde produktet SIKKERT og PÅLIDELIGT skal reparationer samt al anden vedligeholdelse eller justering udføres af autoriserede Makita- eller fabriksservicecentre, og der skal altid benyttes Makita-reservedele.

TILBEHØR

FORSIGTIG:

- Dette tilbehør eller ekstraudstyr anbefales til brug med det Makita-værktøj, som er beskrevet i denne brugsanvisning. Brug af andet tilbehør eller ekstraudstyr kan forårsage personskade. Brug kun tilbehør eller ekstraudstyr til det formål, det er beregnet til.

Henvend dig til dit lokale Makita-servicecenter, hvis du har brug for hjælp eller yderligere oplysninger vedrørende tilbehøret.

- Søm
- Sikkerhedsbriller
- Gaspatron
- Rengørings sæt
- Forskellige typer af originale batterier og opladere fra Makita

Kun for lande i Europa

Støj og vibration

ENG045-2

De typiske A-vægtede støjniveauer er

lydtryksniveau: 89 dB (A)

lydkraftniveau: 102 dB (A).

Bær høreværn.

Den typiske vægtede effektive accelerationsværdi er ikke over 2,5 m/s².

Usikkerhed (K): 1,5 m/s²

Disse værdier er målt i overensstemmelse med EN792.

EU-ERKLÆRING VEDRØRENDE OVERHOLDELSE AF STANDARDER

Model GN900

ENH023-1

Vi erklærer og tager det fulde ansvar for, at produktet overholder følgende standarder i de standardiserede dokumenter:

EN792, EN60745 og EN55014 i overensstemmelse med

Rådets direktiver 98/37/EC, 2004/108/EC.

CE 2008



Tomoyasu Kato
Direktør

Ansvarlig producent:

Makita Corporation

3-11-8, Sumiyoshi-cho, Anjo, Aichi, JAPAN

Autoriseret repræsentant i Europa:

Makita International Europe Ltd.

Michigan Drive, Tongwell, Milton Keynes, Bucks MK15 8JD, ENGLAND

Γενική περιγραφή

- | | | |
|----------------------|-------------------------|----------------------|
| 1. Γυαλιά προστασίας | 8. Μοχλός ωθητή | 15. Ακροφύσιο εκροής |
| 2. Προσωπίδα | 9. Γεμιστήρας | 16. Βίδες |
| 3. Μπαταρία | 10. Στοιχείο επαφής | 17. Γάντζος |
| 4. Κάλυμμα καυσίμου | 11. Εξαγωγικό άλεν | 18. Κάλυμμα φίλτρου |
| 5. Σκανδάλη | 12. Κουμπτί | 19. Φίλτρο |
| 6. Ενδεικτική λυχνία | 13. Δοσιμετρική βαλβίδα | |
| 7. Κουμπτί ωθητή | 14. Καπάκι | |

ΠΡΟΔΙΑΓΡΑΦΕΣ

Μοντέλο	GN900
Μήκος καρφιού Χ Διάμετρος στελέχους	Μήκος καρφιού: 50 mm - 90 mm Διάμετρος: 2,9 mm - 3,3 mm
Χωρητικότητα καρφιών	40 καρφιά (1 λωρίδα)
Γωνία συρραφής καρφιών (μοίρες)	34
Μορφή της κεφαλής καρφιού	Συντετημένη
Διαστάσεις (Μ Χ Υ Χ Π)	321 mm Χ 108 mm Χ 368 mm
Καθαρό βάρος	3,2 kg
Ονομαστική τιμή τάσης	D.C. 7,2 V

- Λόγω του συνεχόμενου προγράμματος που εφαρμόζουμε για έρευνα και ανάπτυξη, τα τεχνικά χαρακτηριστικά στο παρόν έντυπο υπόκεινται σε αλλαγή χωρίς προειδοποίηση.
- Σημείωση: Τα τεχνικά χαρακτηριστικά ενδέχεται να διαφέρουν ανάλογα με τη χώρα.

Σύμβολα

END107-3

Παρακάτω παρουσιάζονται τα σύμβολα που χρησιμοποιούνται για τον εξοπλισμό. Βεβαιωθείτε ότι κατανοείτε τη σημασία τους πριν από τη χρήση.



..... Διαβάστε το εγχειρίδιο οδηγιών.



..... Δοχείο υπό πίεση, κρατήστε το μακριά από θερμοκρασίες μεγαλύτερες των 50°C (πχ., ηλιακή ακτινοβολία). Διατηρήστε το δοχείο σε ένα χώρο με καλό αερισμό.



..... Χρησιμοποιήστε το μόνο σε εξωτερικό χώρο ή σε καλά αεριζόμενα δωμάτια. Μην αναπνεύσετε το αέριο.



..... Μη το χρησιμοποιείτε κοντά σε φλόγες ή το ψεκάστε σε θερμαινόμενες επιφάνειες. Κατά τη χρήση μπορεί να σχηματίσει εύφλεκτο/εκρηκτικό μίγμα αμμού-αέρα.



..... Μην του προκαλέσετε φθορά, τρύπημα ή το κάψετε μετά από τη χρήση.



..... Να φοράτε γυαλιά προστασίας.



..... Κρατήστε τα δάκτυλά σας μακριά από τη σκανδάλη όταν δεν καρφώνετε συνδετήρες για την αποφυγή της τυχαιάς εκπυρσοκρότησης.



..... Χρησιμοποιήστε το μόνο σε καλά αεριζόμενους χώρους για την αποφυγή της πρόκλησης της ναυτίας και της λιποθυμίας. Ποτέ να μην χρησιμοποιήσετε το εργαλείο σε εύφλεκτα περιβάλλοντα. Η εξάτμιση του εργαλείου μπορεί να προκαλέσει την ανάφλεξη των εύφλεκτων υλικών.



..... Μη χρησιμοποιείτε σε σκαλωσιές ή σκάλες.

Προοριζόμενη χρήση

ENE0591

Το εργαλείο προορίζεται για προκαταρκτικές εργασίες σε εσωτερικά μέρη όπως για τη στερέωση ενώσεων στο πάτωμα ή για κοινές εργασίες σε δοκούς στέγης και σκελετούς με 5 εκ. περιβλήμα.

ΣΗΜΑΝΤΙΚΕΣ ΟΔΗΓΙΕΣ ΑΣΦΑΛΕΙΑΣ

ENB111-2

ΠΡΟΕΙΔΟΠΟΙΗΣΗ: ΟΤΑΝ ΧΡΗΣΙΜΟΠΟΙΕΙΤΕ ΑΥΤΟ ΤΟ ΕΡΓΑΛΕΙΟ, ΠΑΝΤΟΤΕ ΠΡΕΠΕΙ ΝΑ ΑΚΟΛΟΥΘΕΙΤΕ ΟΛΕΣ ΤΙΣ ΒΑΣΙΚΕΣ ΠΡΟΦΥΛΑΞΕΙΣ ΓΙΑ ΤΗΝ ΑΣΦΑΛΕΙΑ ΓΙΑ ΝΑ ΜΕΙΩΣΕΤΕ ΤΟΝ ΚΙΝΔΥΝΟ ΠΡΟΣΩΠΙΚΟΥ ΤΡΑΥΜΑΤΙΣΜΟΥ, ΣΥΜΠΕΡΙΛΑΜΒΑΝΟΜΕΝΩΝ ΤΩΝ ΠΑΡΑΚΑΤΩ:

ΔΙΑΒΑΣΤΕ ΟΛΕΣ ΤΙΣ ΟΔΗΓΙΕΣ.

- Για την προσωπική ασφάλεια και τη σωστή λειτουργία και συντήρηση του εργαλείου, διαβάστε αυτό το εγχειρίδιο οδηγιών πριν χρησιμοποιήσετε το εργαλείο.
- Να χρησιμοποιείτε το εργαλείο μόνο με το αυθεντικό στοιχείο καυσίμου της Makita.

- Μη χρησιμοποιείτε ποτέ το εργαλείο σε κλειστούς ή σε φτωχά αεριζόμενους χώρους.
- Να φοράτε πάντοτε γυαλιά προστασίας για να προστατεύετε τα μάτια σας από τραυματισμό λόγω σκόνης ή καρφιών.

ΠΡΟΕΙΔΟΠΟΙΗΣΗ:

Ο εργοδότης έχει την ευθύνη να επιβάλλει τη χρήση προστατευτικού εξοπλισμού για τα μάτια από τους χειριστές του εργαλείου και τα άλλα άτομα που βρίσκονται στην άμεση περιοχή εργασίας.

- Μόνο για την Αυστραλία και τη Νέα Ζηλανδία. Να φοράτε πάντοτε γυαλιά προστασίας και προσωπίδα για να προστατεύετε τα μάτια σας από τραυματισμό λόγω σκόνης ή καρφιών. Τα γυαλιά προστασίας και η προσωπίδα θα πρέπει να συμμορφώνονται με τις απαιτήσεις AS/NZS 1336.

ΠΡΟΕΙΔΟΠΟΙΗΣΗ:

Ο εργοδότης έχει την ευθύνη να επιβάλλει τη χρήση προστατευτικού εξοπλισμού για τα μάτια από τους χειριστές του εργαλείου και τα άλλα άτομα που βρίσκονται στην άμεση περιοχή εργασίας. **(Εικ. 1)**

- Να φοράτε ωτοασπίδες για να προστατεύετε τα αυτιά σας από το θόρυβο της εξάτμισης, καθώς και προστατευτικό κεφαλής. Επίσης, να φοράτε ελαφρά, αλλά όχι φαρδιά ρούχα. Τα μανίκια πρέπει να είναι κουμπωμένα ή ανεβασμένα. Δεν πρέπει να φοράτε γραβάτα.
- Είναι επικίνδυνο να εργάζεστε με βιασύνη ή να ασκείτε δύναμη στο εργαλείο. Να χειρίζεστε το εργαλείο προσεχτικά. Μη θέτετε το εργαλείο σε λειτουργία όταν βρίσκεστε υπό την επίδραση αλκοόλ, φαρμάκων ή παρόμοιων ουσιών.

- Γενικές Οδηγίες Για Το Χειρισμό Του Εργαλείου:

- (1) Να θεωρείτε πάντοτε ότι το εργαλείο περιέχει καρφιά.
- (2) Μη στρέψετε το εργαλείο προς το μέρος σας ή προς οποιονδήποτε άλλον, ανεξάρτητα αν περιέχει ή όχι καρφιά.
- (3) Μην ενεργοποιείτε το εργαλείο εκτός αν βρίσκεται τοποθετημένο σταθερά επάνω στο τεμάχιο εργασίας.
- (4) Να παίρνετε το εργαλείο στα σοβαρά κατά την εκτέλεση της εργασίας.
- (5) Μην ασειεύστε με το εργαλείο.
- (6) Μην κρατάτε και μη μεταφέρετε το εργαλείο με το δάκτυλό σας στη σκανδάλη.
- (7) Μη γεμίζετε το εργαλείο με καρφιά όταν είναι ενεργοποιημένο κάποιο από τα χειριστήρια λειτουργίας.
- (8) Μη θέτετε το εργαλείο σε λειτουργία με οποιαδήποτε πηγή ενέργειας εκτός από εκείνη που καθορίζεται στις οδηγίες λειτουργίας/ασφάλειας του εργαλείου.

- Μη χρησιμοποιείτε κάποιο εργαλείο που δεν λειτουργεί σωστά.
- Μερικές φορές πετάγονται σπινθήρες κατά τη χρήση του εργαλείου. Μη χρησιμοποιείτε το εργαλείο κοντά σε πτητικά, εύφλεκτα υλικά όπως βενζίνη, νέφτι, μπιγιά, γκάζι, κόλλα, κλπ. Θα αναφλεγούν και θα εκραγούν με αποτέλεσμα το σοβαρό τραυματισμό.
- Η περιοχή πρέπει να είναι επαρκώς φωτισμένη για να υπάρχει ασφάλεια στην εργασία. Η περιοχή πρέπει να είναι καθαρή και χωρίς απορρίμματα. Να είστε ιδιαίτερα προσεχτικοί και να στέκεστε σταθερά και ισορροπημένα.
- Μόνο οι εργαζόμενοι πρέπει να βρίσκονται στην περιοχή εργασίας. Ιδιαίτερα τα παιδιά ποτέ δεν πρέπει να πλησιάζουν.
- Ενδοχομώμενοι να υπάρχουν τοπικοί κανονισμοί που αφορούν το θόρυβο και στους οποίους πρέπει να συμμορφώνεστε διατηρώντας τη στάθμη θορύβου εντός των προδιαγραφόμενων ορίων. Σε ειδικές περιπτώσεις πρέπει να χρησιμοποιούνται παραπετάσματα για τον περιορισμό του θορύβου.
- Μην παίζετε με το στοιχείο επαφής: Αυτό εμποδίζει την τυχαία εκφόρτωση, για το λόγο αυτό πρέπει να παραμένει πάντοτε στη θέση του και να μην αφαιρείται. Είναι επίσης πολύ επικίνδυνο να ασφαλίσετε τη σκανδάλη στην ανοικτή θέση (ON). Ποτέ μην επιχειρήσετε να ασφαλίσετε τη σκανδάλη. Μη θέσετε το εργαλείο σε λειτουργία αν οποιοδήποτε τμήμα των χειριστηρίων λειτουργίας είναι χαλασμένο, αποσυνδεδεμένο, τροποποιημένο ή δεν λειτουργεί σωστά.
- Πριν από τη λειτουργία, να ελέγχετε πάντοτε τη γενική κατάσταση του εργαλείου, αλλά και αν οι βίδες είναι χαλαρές. Σφίξτε όπως απαιτείται.
- Βεβαιωθείτε ότι όλα τα συστήματα ασφάλειας βρίσκονται σε καλή κατάσταση πριν από τη λειτουργία. Το εργαλείο δεν πρέπει να λειτουργεί αν πιεστεί μόνο η σκανδάλη αν η πατηθεί μόνο ο βραχίονας επαφής επάνω στο ζύλο. Πρέπει να λειτουργεί μόνο όταν εκτελούνται και οι δύο ενέργειες. Δοκιμάστε για πιθανή ελαττωματική λειτουργία όταν το εργαλείο δεν είναι γεμάτο με καρφιά και ο ωθητής βρίσκεται στην πλήρη τραβηγμένη θέση.
- Να ελέγχετε προσεχτικά τους τοίχους, τις οροφές, τα πατώματα, τις στέγες και παρόμοιες κατασκευές για να αποφεύγετε την πιθανή ηλεκτροπληξία, διαρροή αερίου, εκρήξεις, κτλ. που προκαλούνται από κτυπήματα ηλεκτροφόρων καλωδίων, αγωγών ή σωληνών αερίων.
- Να χρησιμοποιείτε μόνο καρφιά που καθορίζονται στο εγχειρίδιο αυτό. Αν χρησιμοποιήσετε άλλα καρφιά, μπορεί να προκληθεί δυσλειτουργία του εργαλείου.
- Ποτέ μη χρησιμοποιήσετε καρφωτικά εργαλεία που φέρουν την ένδειξη «Μη χρησιμοποιείτε σε σκαλωσιές, σκάλες, κτλ.» για ειδικές εφαρμογές όπως για παράδειγμα:
 - όταν κατά την αλλαγή από μια τοποθεσία καρφώματος σε μια άλλη χρησιμοποιούνται σκαλωσιές, σκαλοπάτια, σκάλες ή άλλες παρόμοιες κατασκευές, π.χ. σανίδες σκεπών,
 - κατά το κλείσιμο κιβωτίων ή τελάρων,

- κατά την εφαρμογή συστημάτων ασφάλειας μεταφορών π.χ. σε οχήματα και βαγόνια.
- Μην επιτρέπεται σε ανειδίκευτα άτομα να χρησιμοποιούν το εργαλείο.
- Να βεβαιώνετε ότι δεν βρίσκεται κανένας κοντά πριν από το κάρφωμα. Ποτέ μην επιχειρήσετε να καρφώσετε ταυτόχρονα και από μέσα και απ' έξω. Τα καρφιά μπορεί να διαπεράσουν το μέσο ή/και να εκτιναχθούν, γεγονός που προκαλεί σοβαρό κίνδυνο.
- Να προσέχετε ώστε να στέκεστε καλά και να διατηρείτε την ισορροπία σας όταν χρησιμοποιείτε το εργαλείο. Να βεβαιώνετε ότι δεν υπάρχει κανείς από κάτω όταν εργάζεστε σε υψηλές τοποθεσίες για να αποφεύγετε τον κίνδυνο σε περίπτωση που συμβεί απότομο τίναγμα ή πιάσιμο.
- Σε σκεπές και άλλες υψηλές τοποθεσίες, να καρφώνετε καθώς κινείστε προς τα μπροστά. Είναι εύκολο να χάσετε την ισορροπία σας αν καρφώνετε καθώς κινείστε προς τα πίσω. Όταν καρφώνετε σε κατακόρυφη επιφάνεια, να καρφώνετε από την κορυφή προς τα κάτω. Με τον τρόπο αυτό, μπορείτε να εκτελείτε εργασίες καρφώματος με λιγότερη κόπωση.
- Αν από λάθος καρφώσετε ένα καρφί επάνω σε ένα άλλο ή χτυπήσετε ρόζο στο ξύλο, το καρφί θα στραβώσει ή το εργαλείο θα πάθει εμπλοκή. Το καρφί μπορεί να εκτιναχθεί και να χτυπήσει κάποιον ή το ίδιο το εργαλείο μπορεί να αντιδράσει επικίνδυνα. Τοποθετήστε τα καρφιά με προσοχή.
- Μην στρέψετε τη θύρα εκτίναξης προς οποιοδήποτε άτομο βρίσκεται κοντά. Να κρατάτε τα χέρια και τα πόδια σας μακριά από την περιοχή της θύρας εκτίναξης.
- Μην μεταφέρετε ποτέ το εργαλείο με το δάκτυλό σας στη σκανδάλη και μην το δίνετε σε κάποιον άλλον ενώ το δάκτυλό σας βρίσκεται στη σκανδάλη. Η τυχαία εκपुरσοκρότηση μπορεί να είναι εξαιρετικά επικίνδυνη.
- Να χειρίζεστε το εργαλείο προσεχτικά, επειδή υπάρχει υψηλή πίεση στο εσωτερικό του, που μπορεί να είναι επικίνδυνη αν προκληθεί ρωγμή από απρόσεχτο χειρισμό (πτώση ή χτύπημα). Μην προσπαθήσετε να κάνετε χαρακίες ή αυλακώσεις στο εργαλείο.
- Να σταματάτε αμέσως τις λειτουργίες καρφώματος αν παρατηρήσετε ότι κάτι δεν πάει καλά ή κάτι είναι ασυνήθιστο για το εργαλείο.
- Να αφαιρείτε πάντοτε το στοιχείο καυσίμου, την μπαταρία και όλα τα καρφιά:
 - (9) Όταν δεν προσέχει κανείς το εργαλείο.
 - (10) Πριν εκτελέσετε οποιαδήποτε εργασία συντήρησης ή επισκευής.
 - (11) Πριν αποκαταστήσετε κάποια εμπλοκή.
 - (12) Πριν μετακινήσετε το εργαλείο σε νέα τοποθεσία.
- Να εκτελείτε καθαρισμό και συντήρηση του εργαλείου αμέσως μόλις ολοκληρώσετε την εργασία. Να διατηρείτε το εργαλείο σε άριστη κατάσταση. Να λιπαίνετε τα κινούμενα μέρη για να αποφεύγετε την οξείδωση (σκουριάσμα) και να ελαχιστοποιείτε τη φθορά από την τριβή. Σκουπίστε όλη τη σκόνη από τα μέρη του εργαλείου.
- Μην τροποποιείτε το εργαλείο χωρίς την έγκριση από τη Makita.
- Απευθυνθείτε στα εξουσιοδοτημένα κέντρα εξυπηρέτησης της Makita για τους περιοδικούς έλεγχους του εργαλείου.
- Για να διατηρείται η ΑΣΦΑΛΕΙΑ και η ΑΞΙΟΠΙΣΤΙΑ του προϊόντος, οι εργασίες συντήρησης και επισκευής θα πρέπει να εκτελούνται σε εξουσιοδοτημένα κέντρα εξυπηρέτησης της Makita, και πάντοτε με τη χρήση ανταλλακτικών της Makita.
- Μην προσπαθήσετε να κρατήσετε το στοιχείο επαφής της σκανδάλης πιστεμένο με ταίρια ή σύρμα. Μπορεί να προκληθεί θάνατος ή σοβαρός τραυματισμός.
- Να ελέγχετε πάντα το στοιχείο επαφής σύμφωνα με τις οδηγίες στο παρόν εγχειρίδιο. Μπορεί να καθοδηγηθούν κατά λάθος καρφιά εάν δεν λειτουργεί σωστά ο μηχανισμός ασφάλειας.

ΦΥΛΑΞΤΕ ΑΥΤΕΣ ΤΙΣ ΟΔΗΓΙΕΣ.

ENC007-2

ΣΗΜΑΝΤΙΚΕΣ ΟΔΗΓΙΕΣ ΑΣΦΑΛΕΙΑΣ

ΓΙΑ ΤΗΝ ΜΠΑΤΑΡΙΑ

1. Πριν χρησιμοποιήσετε την μπαταρία, διαβάστε όλες τις οδηγίες και τις ενδείξεις προφύλαξης στο (1) φορητή μπαταρία, (2) την μπαταρία και (3) το προϊόν στο οποίο χρησιμοποιείται η μπαταρία.
2. Μην αποσυναρμολογείτε την μπαταρία.
3. Αν ο χρόνος λειτουργίας της μπαταρίας είναι υπερβολικά σύντομος, διακόψτε αμέσως τη λειτουργία. Αν συνεχίσετε, μπορεί να έχει ως αποτέλεσμα τον κίνδυνο υπερθέρμανσης, πιθανών εγκαυμάτων ή ακόμη έκρηξης.
4. Αν μπει στα μάτια σας ηλεκτρολύτης, ξεπλύνετε με καθαρό νερό και αναζητήστε αμέσως ιατρική βοήθεια. Μπορεί να χάσετε την όρασή σας.
5. Μην βροχουκκλώνετε την μπαταρία:
 - (1) Μην αγγίζετε τους ακροδέκτες με οποιοδήποτε αγωγό υλικό.
 - (2) Μην αποθηκεύετε την μπαταρία σε δοχείο με άλλα μεταλλικά αντικείμενα, όπως καρφιά, νομίσματα, κτλ.
 - (3) Μην εκθέτετε την μπαταρία σε νερό ή βροχή. Αν βροχουκκλωθεί η μπαταρία, μπορεί να προκληθεί μεγάλη ροή ηλεκτρικού ρεύματος, υπερθέρμανση, πιθανά εγκαυματα και ακόμη καταστροφή της μπαταρίας.
6. Μην αποθηκεύετε το εργαλείο και την μπαταρία σε μέρη όπου η θερμοκρασία μπορεί να φτάσει ή να ξεπεράσει τους 50°C (122°F).
7. Μην αποθεφρώνετε την μπαταρία ακόμη κι αν παρουσιάζει σοβαρή ζημιά ή είναι εντελώς φθαρμένη. Η μπαταρία μπορεί να εκραγεί σε φωτιά.
8. Να προσέχετε να μην σας πείσει η μπαταρία και να μη συγκρουστεί με κάποιο αντικείμενο.

ΦΥΛΑΞΤΕ ΑΥΤΕΣ ΤΙΣ ΟΔΗΓΙΕΣ.

Συμβουλές για τη διατήρηση της μέγιστης ζωής της μπαταρίας

1. **Να φορτίζετε την μπαταρία πριν αποφορτιστεί εντελώς.**
Πάντοτε να διακόπτετε τη λειτουργία του εργαλείου και να φορτίζετε την μπαταρία όταν παρατηρείται μειωμένη ισχύ του εργαλείου.
2. **Ποτέ μην επαναφορτίζετε μια πλήρως φορτισμένη μπαταρία. Αν υπερφορτίσετε την μπαταρία, μειώνεται η ωφέλιμη διάρκεια ζωής της.**
3. **Να φορτίζετε την μπαταρία σε θερμοκρασία δωματίου, δηλαδή στους 10°C έως 40°C (50°F έως 104°F).** Αν η μπαταρία είναι θερμή, αφήστε την να ψυχθεί πριν τη φορτίσετε.

Περιγραφή του καρφωτικού εργαλείου (Εικ. 2)

ΠΕΡΙΓΡΑΦΗ ΛΕΙΤΟΥΡΓΙΑΣ

ΠΡΟΣΟΧΗ:

- Να βεβαιώνετε πάντοτε ότι έχετε αφαιρέσει το στοιχείο καυσίμου, τη μπαταρία και τα καρφιά πριν ρυθμίσετε ή ελέγξετε κάποια λειτουργία του εργαλείου.

Τοποθέτηση ή αφαίρεση της μπαταρίας (Εικ. 3)

- Πάντοτε να σβήνετε το εργαλείο πριν βάζετε ή βγάζετε τη μπαταρία.
- Για να αφαιρέσετε τη μπαταρία, σύρετέ τη από το εργαλείο καθώς πιέζετε το κουμπί στο πλάι της μπαταρίας όπως δείχνεται στην εικόνα. (Εικ. 4)
- Για να τοποθετήσετε τη μπαταρία, κρατήστε τη έτσι ώστε η μπροστινή μορφή της μπαταρίας να ταιριάζει στο άνοιγμα στο οποίο τοποθετείται η μπαταρία και ολισθήστε την στη θέση της. Πάντοτε να την τοποθετείτε έως το τέρμα, δηλαδή έως όπου ασφαλίζει στη θέση και ακουστεί ένας χαρακτηριστικός ήχος («κλικ»). Σε αντίθετη περίπτωση, μπορεί να πέσει κατά λάθος από το εργαλείο και να τραυματίσει εσάς ή κάποιον παρευρισκόμενο.
- Να μη χρησιμοποιείτε δύναμη όταν τοποθετείτε την μπαταρία. Αν η μπαταρία δεν ολισθαίνει με ευκολία, δεν την εισήγατε σωστά.

Στοιχείο καυσίμου

Συνδεση της δοσιμετρικής βαλβίδας στο στοιχείο καυσίμου (Εικ. 5)

Αποσυνδέστε το καπάκι (στην περίπτωση που η δοσιμετρική βαλβίδα παρέχεται με καπάκι). (Εικ. 6)
Σπρώξτε προς τα μέσα το μπροστινό άκρο. (Εικ. 7)
Σπρώξτε προς τα μέσα το πίσω άκρο έως ότου να καθίσει.

Εισαγωγή του στοιχείου καυσίμου (Εικ. 8)

Σπρώξτε προς τα επάνω και τραβήξτε το κάλυμμα του στοιχείου για να ανοίξει. (Εικ. 9)

Εισάγετε το στοιχείο καυσίμου στρέφοντας το ακροφύσιο εκροής της δοσιμετρικής βαλβίδας προς τον προσαρμογέα. (Εικ. 10)

Εισάγετε κατάλληλα το ακροφύσιο εκροής μέσα στην μικρή τρύπα του προσαρμογέα. (Εικ. 11)
Τοποθετήστε το κάλυμμα του καυσίμου πάνω στην δοσιμετρική βαλβίδα και πιέστε το προς τα κάτω για να κλειδώσει.

Προσαρμογή του βάθους καρφώματος

ΠΡΟΣΟΧΗ:

- Αφαιρέστε το στοιχείο καυσίμου, τη μπαταρία και τα καρφιά πριν την προσαρμογή του βάθους καρφώματος. (Εικ. 12)

Με το εξαγωνικό άλεν, ξεσφίξτε τις δυο βίδες και μετακινήστε το στοιχείο επαφής. Ξανασφίξτε καλά τις βίδες.

Ενδεικτική λυχνία

Το χρώμα της ενδεικτικής λυχνίας δηλώνει τα παρακάτω.

Πράσινο που αναβοσβήνει: Κανονική κατάσταση
Κόκκινο που αναβοσβήνει: Απαιτείται η επαναφόρτιση της μπαταρίας
Ανάβει στο κόκκινο: Επαναφορτίστε τη μπαταρία. Δεν μπορεί να εκτελεστεί το κάρφωμα λόγω έλλειψης χωρητικότητας της μπαταρίας.

Αναβόσβημα στο πορτοκαλί μετά το αναβόσβημα με εναλλαγή από το πράσινο στο κόκκινο: Εκτελείται ανίχνευση σφάλματος. Αφαιρέστε και επανατοποθετήστε τη μπαταρία για την επαναφορά. Εάν εκτελεστεί ξανά η ανίχνευση του σφάλματος τότε πρόκειται για μια κατάσταση δυσλειτουργίας.

Γάντζος (Εικ. 13)

Ο γάντζος χρησιμεύει για το προσωρινό κρέμασμα του εργαλείου. Ο γάντζος μπορεί να τοποθετηθεί σε δυο θέσεις ανάλογα με το πού θα κρεμαστεί το εργαλείο. Για να αλλάξετε τη θέση του γάντζου, συμπιύξτε τον στο άκρο του σπρώχνοντας προς τα μέσα από τις δυο πλευρές και μετακινήστε τον σε μια άλλη θέση.

ΣΥΝΑΡΜΟΛΟΓΗΣΗ

ΠΡΟΣΟΧΗ:

- Να αφαιρέτε πάντοτε το στοιχείο καυσίμου και την μπαταρία.

Φόρτωση του καρφωτικού εργαλείου (Εικ. 14)

Εισάγετε μια λωρίδα από καρφιά μέσα στη σχισμή στο πίσω μέρος του γεμιστήρα. (Εικ. 15)
Τραβήξτε το μοχλό του ωθητή μέχρι το πίσω μέρος του γεμιστήρα και επαναφέρετε τον ομαλά στο άκρο της λωρίδας.

Αφαίρεση καρφιών (Εικ. 16)

Τραβήξτε το μοχλό του ωθητή και σπρώξτε το κουμπί του ωθητή για να ελευθερωθεί το στήριγμα των καρφιών, και στη συνέχεια επαναφέρετε το μοχλό του ωθητή στην κορυφή σπρώχνοντας το κουμπί του ωθητή. Σπρώξτε τα καρφιά προς το πίσω μέρος του γεμιστήρα και βγάλτε τα έξω.

ΛΕΙΤΟΥΡΓΙΑ

ΠΡΟΣΟΧΗ:

- Βεβαιωθείτε ότι όλα τα συστήματα ασφάλειας βρίσκονται σε καλή κατάσταση πριν από τη λειτουργία. (Εικ. 17)

1. Για να καρφώσετε ένα καρφί, τοποθετήσετε το στοιχείο επαφής επάνω στο τεμάχιο εργασίας.

Το μοτέρ του ανεμιστήρα ενεργοποιείται, το αέριο καύσιμου εκχύνεται μέσα στο θάλαμο καύσης και αναμειγνύεται με τον αέρα μέσω του ανεμιστήρα. (Εικ. 18)

2. Πιέστε καλά κρατώντας το στοιχείο επαφής και τραβήξτε την σκανδάλη.

Το αέριο καύσιμου αναφλέγεται και καρφώνεται το καρφί.

3. Το επιπρόσθετο κάρφωμα μπορεί να ξεκινήσει μόνο αφότου ελευθερωθούν το στοιχείο επαφής και η σκανδάλη.

Μηχανισμός προστασίας από το κάρφωμα χωρίς καρφιά

Αυτός είναι ο μηχανισμός που αποτρέπει στο εργαλείο να λειτουργήσει χωρίς καρφιά.

Ο μηχανισμός προστασίας από το κάρφωμα χωρίς καρφιά ενεργοποιείται αυτόματα όταν τα εναπομείνοντα καρφιά μείνουν στα 4-7 κομμάτια.

Εμπλοκή του καρφωτικού εργαλείου

ΠΡΟΣΟΧΗ:

- Να φροντίζεται πάντοτε να αφαιρείτε το στοιχείο καυσίμου και την μπαταρία πριν από την αποκατάσταση της εμπλοκής.

Όταν το καρφωτικό εργαλείο πάθει εμπλοκή, πραγματοποιήστε τα εξής:

- Αφαιρέστε το στοιχείο καυσίμου, την μπαταρία και τα καρφιά. (Εικ. 19)
- Ξεσφίξτε τις (2) βίδες στερέωσης του γεμιστήρα με το εξαγωγικό άλεν. (Εικ. 20)
- Τραβήξτε τη λαβή/γεμιστήρα μακριά από τη μύτη του εργαλείου και αποκαταστήστε την εμπλοκή.
- Ευθυγραμμίστε ξανά τη λαβή/γεμιστήρα με τη μύτη και σφίξτε τις βίδες στερέωσης.
- Φορτώστε ξανά μια λωρίδα από καρφιά.

ΠΡΟΕΙΔΟΠΟΙΗΣΗ:

- Ευθυγραμμίστε ξανά τη λαβή/γεμιστήρα με τη μύτη και σφίξτε τις βίδες στερέωσης. Εάν προσπαθήσετε να λειτουργήσετε το εργαλείο με ένα χαλαρό γεμιστήρα θα προκληθεί απώλεια του ελέγχου του καρφιού, βλάβη στο εργαλείο ή την εκπιυσοκρότηση του καρφιού προς τον χρήστη.

ΣΥΝΤΗΡΗΣΗ

ΠΡΟΣΟΧΗ:

- Πάντοτε να αφαιρείτε το στοιχείο καυσίμου, τη μπαταρία και τα καρφιά πριν προσπαθήσετε να εκτελέσετε έλεγχο ή συντήρηση στο εργαλείο.

Καθαρισμός του φίλτρου αέρα (Εικ. 21)

Πιέστε ελαφρά προς τα επάνω το κάλυμμα του καυσίμου και περιστρέψτε το για να ανοίξει. Στη συνέχεια αφαιρέστε

το κάλυμμα του φίλτρου και απλά βγάλετε έξω το φίλτρο αναστηκνώντας το. Κτυπήστε ελαφρά το φίλτρο για να αφαιρέσετε την οποιαδήποτε σκόνη. Το πλύσιμο με σαπούνι και νερό επαναφέρει το φίλτρο σε μια σχεδόν καινούργια κατάσταση.

Συντήρηση μετά από την ημερήσια εργασία

Στο τέλος της ημερήσιας εργασίας εκτελέστε το πρόγραμμα της ημερήσιας συντήρησης. Αυτά τα απλά βήματα βασίζονται στην διατήρηση της ασφάλειας και την απόδοσης του καρφωτικού εργαλείου μπαταρίας με πρόκα συντετημμένης κεφαλής της Makita.

Πριν αποχωρήσετε από το χώρο εργασίας:

- Αφαιρέστε τη μπαταρία και αποθηκεύστε την στη θήκη μεταφοράς του εργαλείου. Πάντοτε να χρησιμοποιείται την θήκη του καρφωτικού εργαλείου μπαταρίας με πρόκα συντετημμένης κεφαλής για την μεταφορά και την αποθήκευση του εργαλείου.
- Απορρίψτε όλα τα άδεια στοιχεία καυσίμου. Θυμηθείτε να απορρίψετε όλα αυτά τα στοιχεία σε μέρος όπου δεν θα βρεθούν από τα παιδιά, θα συνθλιθούν ή θα καούν.

Όταν επιστρέψετε στο σπίτι:

- Τοποθετήστε τη μπαταρία μέσα στο φορτιστή της εάν χρειάζεται φόρτιση όπως δείχνεται από την κόκκινη ενδεικτική λυχνία κοντά στη λαβή.
- Σκουπίστε το καρφωτικό εργαλείο μπαταρίας με πρόκα συντετημμένης κεφαλής με ένα καθαρό και μαλακό ύφασμα.
- Ελέγξτε το φίλτρο και καθαρίστε το εάν είναι σκονισμένο.

Για να διατηρείται η ΑΣΦΑΛΕΙΑ και η ΑΞΙΟΠΙΣΤΙΑ του προϊόντος, οι εργασίες επισκευής, καθώς και οποιαδήποτε άλλη εργασία συντήρησης ή ρύθμισης, θα πρέπει να εκτελούνται σε εξουσιοδοτημένα ή εργοστασιακά κέντρα εξυπηρέτησης της Makita, και πάντοτε με τη χρήση ανταλλακτικών της Makita.

ΑΞΕΣΟΥΑΡ

ΠΡΟΣΟΧΗ:

- Συνιστάται η χρήση αυτών των αξεσουάρ ή εξαρτημάτων με το εργαλείο της Makita, όπως περιγράφεται στο παρόν εγχειρίδιο. Αν χρησιμοποιήσετε άλλα αξεσουάρ ή εξαρτήματα μπορεί να παρουσιαστεί κίνδυνος πρόκλησης τραυματισμού. Να χρησιμοποιείτε τα αξεσουάρ ή τα εξαρτήματα μόνο για το σκοπό για τον οποίο προορίζονται.

Αν χρειάζεστε κάποια βοήθεια ή περισσότερες πληροφορίες σχετικά με τα αξεσουάρ αυτά, απευθυνθείτε στο πλησιέστερο κέντρο τεχνικής υποστήριξης της Makita.

- Καρφιά
- Γυαλιά προστασίας
- Στοιχείο καυσίμου
- Εξοπλισμός καθαρισμού
- Διάφοροι τύποι γνήσιων μπαταριών και φορτιστών Makita

Για τις ευρωπαϊκές χώρες μόνο

Θόρυβος και κραδασμός

ENG045-2

Το σύνθετο σταθμισμένο επίπεδο ηχητικής πίεσης είναι:

Επίπεδο ηχητικής πίεσης: 89 dB(A)

Επίπεδο ηχητικής ισχύος: 102 dB (A).

Να φοράτε ωτοασπίδες.

Η συνήθης σταθμισμένη μέση τετραγωνική ρίζα της τιμής επιτάχυνσης δεν υπερβαίνει τα 2,5 m/s².

Αβεβαιότητα (K): 1,5 m/s²

Οι τιμές αυτές έχουν ληφθεί σύμφωνα με το EN792.

ΕC-ΔΗΛΩΣΗ ΠΙΣΤΟΤΗΤΑΣ

Μοντέλο: GN900

ENH023-1

Δηλώνουμε με αποκλειστική ευθύνη μας ότι το προϊόν αυτό συμμορφώνεται με τα ακόλουθα πρότυπα των τυποποιημένων εντύπων:

EN792, EN60745, και EN61000 σε συμφωνία με τις

Οδηγίες της Επιτροπής, 98/37/ΕΚ, 2004/108/ΕΚ.

CE 2008



Tomoyasu Kato
Διευθυντής

Υπεύθυνος Κατασκευαστής:

Makita Corporation

3-11-8, Sumiyoshi-cho, Anjo, Aichi, JAPAN

Εξουσιοδοτημένος Αντιπρόσωπος στην Ευρώπη:

Makita International Europe Ltd.

Michigan Drive, Tongwell, Milton Keynes, Bucks MK15

8JD, ΑΓΓΛΙΑ

Makita Corporation
Anjo, Aichi, Japan

884862B999