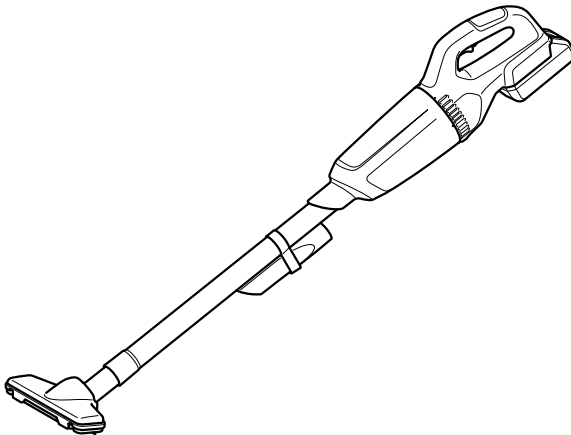




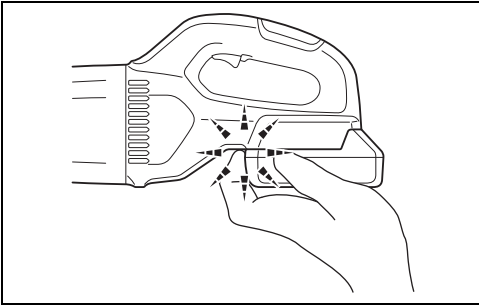
GB	Cordless Cleaner	Instruction manual
F	Aspirateur sans Fil	Manuel d'instructions
D	Akku-Staubsauger	Betriebsanleitung
I	Aspiratore a batteria	Istruzioni per l'uso
NL	Accustofzuiger	Gebruiksaanwijzing
E	Aspiradora Inalámbrica	Manual de instrucciones
P	Aspirador de pó a bateria	Manual de instruções
DK	Batteridrevet støvsuger	Brugsanvisning
GR	Επαναφορτιζόμενη σκούπα	Οδηγίες χρήσης
TR	Akülü süpürge	Kullanım kılavuzu

CL183D



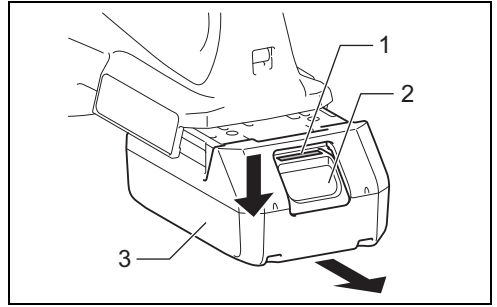
015493





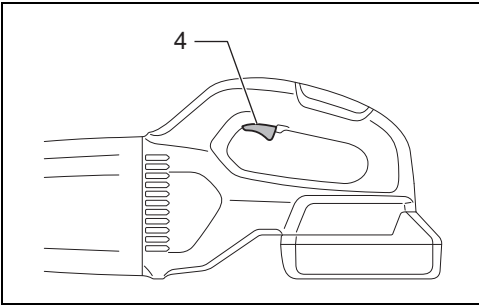
1

015494



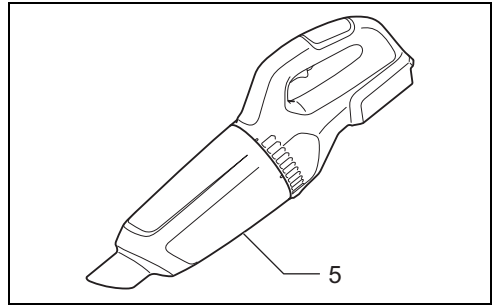
2

015495



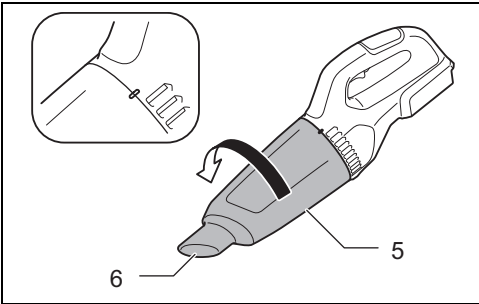
3

015496



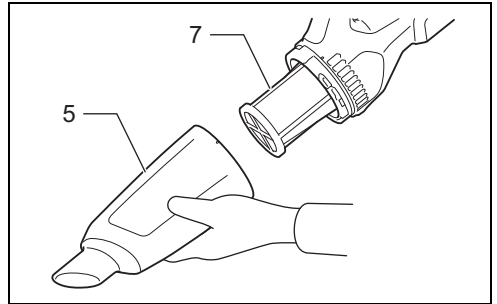
4

015497



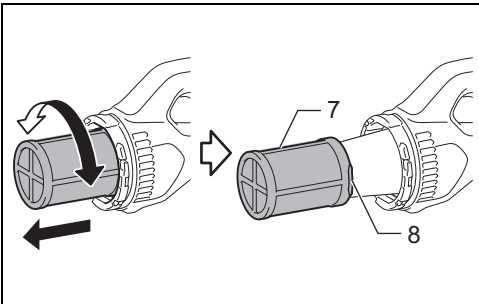
5

015498



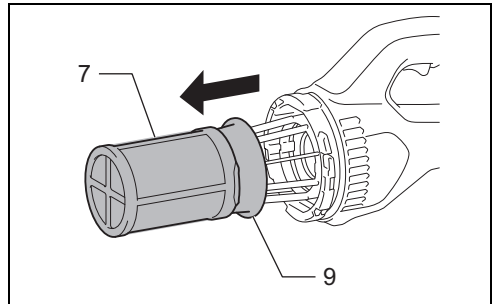
6

015499



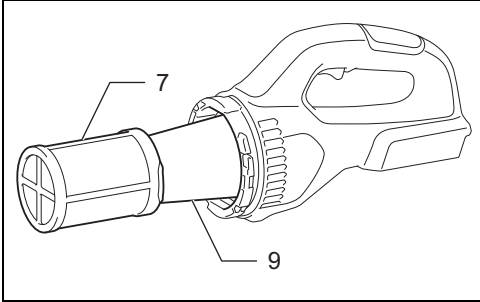
7

015500



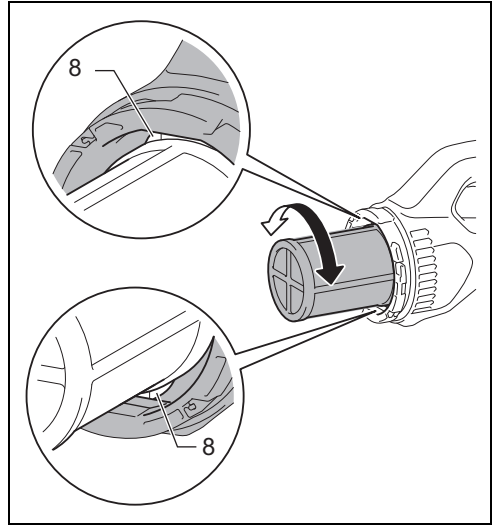
8

015501



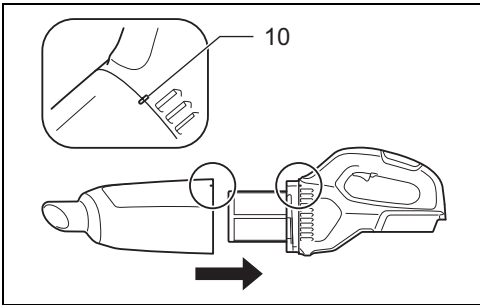
9

015504



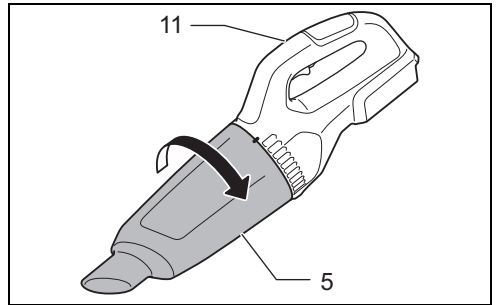
10

015505



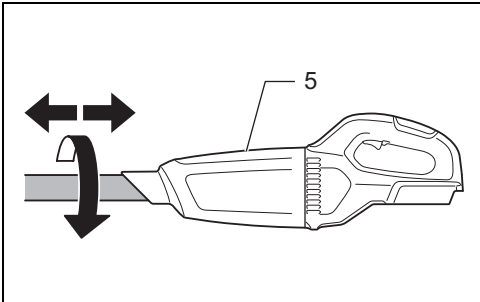
11

015506



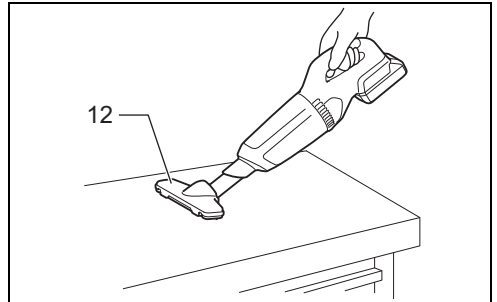
12

015507



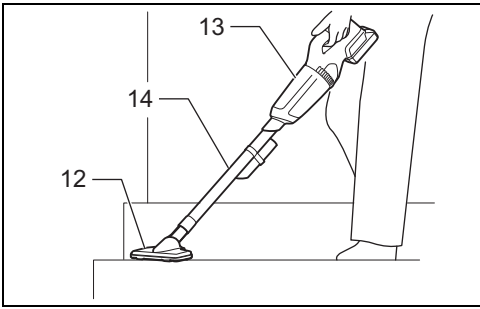
13

015511



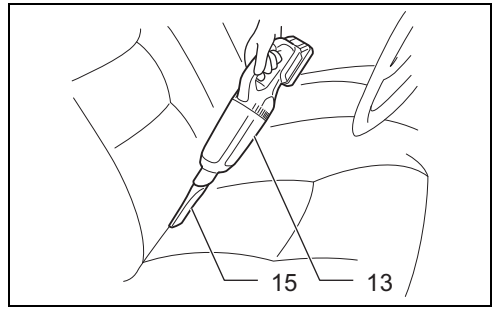
14

015512



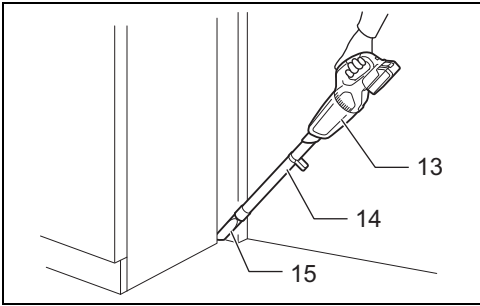
15

015513



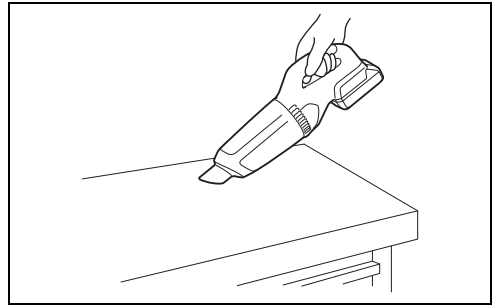
16

015514



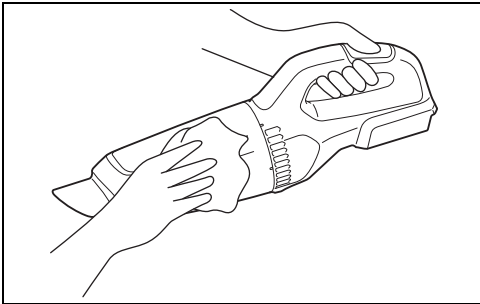
17

015515



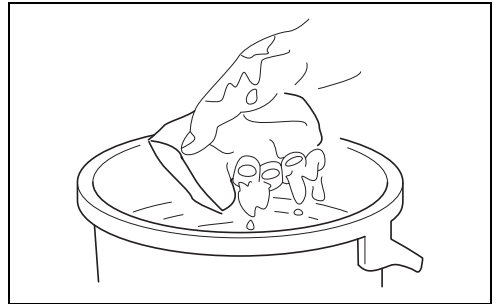
18

015516



19

015517



20

010009

ENGLISH (Original instructions)

WARNING: This appliance can be used by children aged from 8 years and above and persons with reduced physical, sensory or mental capabilities or lack of experience and knowledge if they have been given supervision or instruction concerning use of the appliance in a safe way and understand the hazards involved. Children shall not play with the appliance. Cleaning and user maintenance shall not be made by children without supervision.

Explanation of general view

- | | | |
|----------------------|---------------------|--------------------|
| 1. Red indicator | 6. Suction inlet | 11. Handle |
| 2. Button | 7. Prefilter | 12. Nozzle |
| 3. Battery cartridge | 8. Securing lip | 13. Cleaner body |
| 4. Switch trigger | 9. Filter | 14. Extension wand |
| 5. Capsule | 10. Alignment marks | 15. Corner nozzle |

SPECIFICATIONS

Model	CL183D
Capacity	600 mL
Continuous use	Approx. 24 min.
Overall length	966 mm
Net weight	1.1 kg
Rated voltage	D.C. 18 V

- Due to our continuing program of research and development, the specifications herein are subject to change without notice.
- Specifications and battery cartridge may differ from country to country.
- Weight, with battery cartridge, according to EPTA-Procedure 01/2003

Symbols

END315-1

The following show the symbols used for the equipment. Be sure that you understand their meaning before use.



..... Read instruction manual.



..... Only for EU countries

Do not dispose of electric equipment or battery pack together with household waste material!

In observance of the European Directives, on Waste Electric and Electronic Equipment and Batteries and Accumulators and Waste Batteries and Accumulators and their implementation in accordance with national laws, electric equipment and batteries and battery pack(s) that have reached the end of their life must be collected separately and returned to an environmentally compatible recycling facility.

Intended use

ENE017-1

The tool is intended for collecting dry dust.

IMPORTANT

ENA005-5

SAFETY INSTRUCTIONS

When using an electrical appliance, basic precautions should always be followed, including the following:

READ ALL INSTRUCTIONS BEFORE USING THIS APPLIANCE.

WARNING - To reduce the risk of fire, electric shock or injury:

1. Do not expose to rain. Store indoors.
2. Do not allow to be used as a toy. Close attention is necessary when used by or near children.
3. Use only as described in this manual. Use only manufacturer's recommended attachments.
4. Do not use with damaged battery. If appliance is not working as it should, has been dropped, damaged, left outdoors, or dropped into water, return it to a service center.
5. Do not handle appliance with wet hands.
6. Do not put any object into openings. Do not use with any opening blocked; keep free of dust, lint, hair, and anything that may reduce air flow.
7. Keep hair, loose clothing, fingers, and all parts of body away from openings and moving parts.
8. Turn off all controls before removing the battery.

9. Use extra care when cleaning on stairs.
10. Do not use to pick up flammable or combustible liquids, such as gasoline, or use in areas where they may be present.
11. Use only the charger supplied by the manufacturer to recharge.
12. Do not pick up anything that is burning or smoking, such as cigarettes, matches, or hot ashes.
13. Do not use without filters in place.
14. Do not charge the battery outdoors.

Battery tool use and care

15. Recharge only with the charger specified by the manufacturer. A charger that is suitable for one type of battery pack may create a risk of fire when used with another battery pack.
16. Use power tools only with specifically designated battery packs. Use of any other battery packs may create a risk of injury and fire.
17. When (the) battery pack is not in use, keep it away from other metal objects, like paper clips, coins, keys, nails, screws or other small metal objects, that can make a connection from one terminal to another.
18. Under abusive conditions, liquid may be ejected from the battery; avoid contact. If contact accidentally occurs, flush with water.

SAVE THESE INSTRUCTIONS.

This appliance is intended for household use.

ADDITIONAL SAFETY RULES

ENB114-3

1. Read this instruction manual and the charger instruction manual carefully before use.
2. Do not pick up the following materials:
 - Hot materials such as lit cigarettes or spark/metal dust generated by grinding/cutting metal
 - Flammable materials such as gasoline, thinner, benzene, kerosene or paint
 - Explosive materials like nitroglycerin
 - Ignitable materials such as Aluminum, zinc, magnesium, titanium, phosphorus or celluloid
 - Wet dirt, water, oil or the like
 - Hard pieces with sharp edges, such as wood chips, metals, stones, glasses, nails, pins or razors
 - Powder to clot such as cement or toner
 - Conductive dust such as metal or carbon
 - Fine particle like concrete dust
 Such action may cause fire, injury and/or property damage.
3. Stop operation immediately if you notice anything abnormal.
4. If you drop or strike the cleaner, check it carefully for cracks or damage before operation.
5. Do not bring close to stoves or other heat sources.
6. Do not block the intake hole or vent holes.

SAVE THESE INSTRUCTIONS.

IMPORTANT SAFETY INSTRUCTIONS

ENC009-2

FOR BATTERY CARTRIDGE

1. Before using battery cartridge, read all instructions and cautionary markings on (1) battery charger, (2) battery, and (3) product using battery.
2. Do not disassemble battery cartridge.
3. If operating time has become excessively shorter, stop operating immediately. It may result in a risk of overheating, possible burns and even an explosion.
4. If electrolyte gets into your eyes, rinse them out with clear water and seek medical attention right away. It may result in loss of your eyesight.
5. Do not short the battery cartridge:
 - (1) Do not touch the terminals with any conductive material.
 - (2) Avoid storing battery cartridge in a container with other metal objects such as nails, coins, etc.
 - (3) Do not expose battery cartridge to water or rain.
 A battery short can cause a large current flow, overheating, possible burns and even a breakdown.
6. Do not store the tool and battery cartridge in locations where the temperature may reach or exceed 50°C (122°F).
7. Do not incinerate the battery cartridge even if it is severely damaged or is completely worn out. The battery cartridge can explode in a fire.
8. Be careful not to drop or strike battery.
9. Do not use a damaged battery.
10. Follow your local regulations relating to disposal of battery.

SAVE THESE INSTRUCTIONS.

Tips for maintaining maximum battery life

1. Charge the battery cartridge before completely discharged. Always stop tool operation and charge the battery cartridge when you notice less tool power.
2. Never recharge a fully charged battery cartridge. Overcharging shortens the battery service life.
3. Charge the battery cartridge with room temperature at 10°C - 40°C (50°F - 104°F). Let a hot battery cartridge cool down before charging it.

FUNCTIONAL DESCRIPTION

⚠ CAUTION:

- Always be sure that the tool is switched off and the battery cartridge is removed before adjusting or checking function on the tool.
- Take care not to trap finger(s) between cleaner and battery as shown in diagram when loading battery. Trapping finger(s) may cause injury. (Fig. 1)

Installing or removing battery cartridge (Fig. 2)

CAUTION:

- Always switch off the tool before installing or removing of the battery cartridge.
- **Hold the tool and the battery cartridge firmly when installing or removing battery cartridge.** Failure to hold the tool and the battery cartridge firmly may cause them to slip off your hands and result in damage to the tool and battery cartridge and a personal injury.

To remove the battery cartridge, slide it from the tool while sliding the button on the front of the cartridge.

To install the battery cartridge align the tongue on the battery cartridge with the groove in the housing and slip it into the place. Insert it all the way until it locks in place with a little click. If you can see the red indicator on the upper side of the button, it is not locked completely.

CAUTION:

- Always install the battery cartridge fully until the red indicator cannot be seen. If not, it may accidentally fall out of the tool, causing injury to you or someone around you.
- Do not install the battery cartridge forcibly. If the cartridge does not slide in easily, it is not being inserted correctly.

Battery protection system

The tool is equipped with a battery protection system. This system automatically cuts off power to the motor to extend battery life.

The tool will automatically stop during operation if the tool and/or battery are placed under one of the following conditions:

- Overloaded:

The tool is operated in a manner that causes it to draw an abnormally high current.

In this situation, release the switch trigger on the tool and stop the application that caused the tool to become overloaded. Then pull the switch trigger again to restart.

If the tool does not start, the battery is overheated. In this situation, let the battery cool before pulling the switch trigger again.

- Low battery voltage:

The remaining battery capacity is too low and the tool will not operate. If you pull the switch trigger, the motor runs again but stops soon. In this situation, remove and recharge the battery.

Switch action

CAUTION:

- Before inserting the battery cartridge into the tool, always check to see that the switch trigger actuates properly and returns to the "OFF" position when released.

To start the tool, simply pull the switch trigger. Release the switch trigger to stop. (Fig. 3)

ASSEMBLY

CAUTION:

- Always be sure that the tool is switched off and the battery cartridge is removed before carrying out any work on the tool.

Disposing of dust

CAUTION:

- Empty the cleaner before it becomes too full, or the suction force weakens.
- Be sure to empty out the dust inside the cleaner itself. Failure to do so may cause the filter to be clogged or the motor to be damaged.

In order to drop dust sticking on the filter in the capsule, tap the circumference of the capsule 4 or 5 times with your hand. (Fig. 4)

Now point suction inlet downwards, turn capsule in direction of arrow in diagram, and disconnect capsule slowly and straight. (Fig. 5)

NOTE:

- Dust may spill out when opening capsule. Be sure to keep capsule as vertical as possible, and place a garbage bag beneath capsule.

Remove accumulated dust from inside of capsule and off of prefilter. (Fig. 6)

Twist prefilter in direction of arrow to unfasten securing lip from cleaner unit and then pull off prefilter. (Fig. 7)

Clean out fine dust from prefilter. Next, remove filter, and lightly tap to dislodge dust. (Fig. 8)

Reassembly

First, put filter without being peeled back. If filter is put on incorrectly, dust will get into motor housing, and cause motor failure. Second, put prefilter over filter. (Fig. 9)

Turn the set of filters, and adjust the position of the two securing lips on prefilter, and connect with the gutters of the cleaner housing. (Fig. 10)

Connect capsule, in accordance with alignment marks on handle and capsule, firmly twist capsule in direction of arrow until it is secured. (Fig. 11 & 12)

NOTE:

- Always remove dust ahead of time, as suction power will be reduced if there is too much dust in cleaner.
- Always be sure to check that both filter and prefilter are loaded correctly prior to using cleaner. If they are not loaded correctly, dust will get into the motor housing, and cause motor failure.

OPERATION

CAUTION:

- Insert (or extract) nozzle while twisting it clockwise. If twisted counterclockwise, capsule may become loose. (Fig. 13)

Cleaning (Suction)

Nozzle (Fig. 14)

Attach the nozzle to clean off tables, desks, furniture, etc. Nozzle slips on easily.

Nozzle + Extension wand (Straight pipe) (Fig. 15)

The extension wand fits in between the nozzle and the cleaner itself. This arrangement is convenient for cleaning a floor while standing erect.

Corner nozzle (Fig. 16)

Fit on the corner nozzle for cleaning corners and crevices of a car or furniture.

Corner nozzle +Extension wand (Straight pipe) (Fig. 17)

In tight quarters where the cleaner itself cannot squeeze in, or in high places hard to reach, use this arrangement.

Cleaning without nozzle (Fig. 18)

You can pick up powder and dust without nozzle.

MAINTENANCE

CAUTION:

- Always be sure that the tool is switched off before attempting to perform inspection or maintenance.

Things to Check Before Asking for Repairs

Symptom	Area to be investigated	Fixing method
Weak suction power	<ul style="list-style-type: none"> • Is capsule full of dust? • Is filter clogged? • Is battery exhausted? 	<ul style="list-style-type: none"> • Empty dust from capsule. • Dust down or wash filter. • Recharge battery.
Not working	<ul style="list-style-type: none"> • Is battery exhausted? 	<ul style="list-style-type: none"> • Recharge battery.

010051

NOTE:

- Do not attempt to repair cleaner by yourself. To maintain product SAFETY and RELIABILITY, repairs, any other maintenance or adjustment should be performed by Makita Authorized Service Centers, always using Makita replacement parts.

OPTIONAL ACCESSORIES

CAUTION:

- These accessories or attachments are recommended for use with your Makita tool specified in this manual. The use of any other accessories or attachments might present a risk of injury to persons. Only use accessory or attachment for its stated purpose.

If you need any assistance for more details regarding these accessories, ask your local Makita Service Center.

- Extension wand (Straight pipe)
- Nozzle
- Nozzle for carpet
- Shelf brush
- Corner nozzle
- Round brush
- Flexible hose
- Filter
- Prefilter
- Makita genuine battery and charger

NOTE:

- Some items in the list may be included in the tool package as standard accessories. They may differ from country to country.

Cleaning (Fig. 19)

From time to time wipe off the outside (cleaner body) of the cleaner using a cloth dampened in soapy water.

Clean out also the suction opening, dust bag/dust pack mounting area and the dust stopper.

CAUTION:

- Never use gasoline, benzine, thinner, alcohol or the like. Discoloration, deformation or cracks may result. Wash the filter in soapy water when it is clogged with dust and the cleaner power becomes small. Dry it out thoroughly before use. An insufficiently dried filter may cause poor suction and shorten the service life of the motor. (Fig. 20)
- Do not blow dust sticking on the cleaner by air duster. It brings dust into the housing and causes failure.

FRANÇAIS (Instructions d'origine)

AVERTISSEMENT : Cet appareil peut être utilisé par les enfants à partir de 8 ans et les personnes dont les capacités physiques, sensorielles ou mentales sont réduites ou qui manquent d'expérience et de connaissances si elles sont sous surveillance ou ont reçu des instructions d'utilisation en toute sécurité de l'appareil et comprennent les risques encourus. Les enfants ne doivent pas jouer avec l'appareil. Les enfants ne peuvent procéder au nettoyage et à la maintenance de l'appareil que sous surveillance.

Descriptif

- | | | |
|-----------------|--------------------------|---------------------------|
| 1. Voyant rouge | 6. Orifice d'aspiration | 11. Poignée |
| 2. Bouton | 7. Préfiltre | 12. Embout |
| 3. Batterie | 8. Lèvre de butée | 13. Corps de l'aspirateur |
| 4. Gâchette | 9. Filtre | 14. Tube de rallonge |
| 5. Couvercle | 10. Repères d'alignement | 15. Embout d'angle |

SPÉCIFICATIONS

Modèle	CL183D
Capacité	600 ml
Utilisation continue	Environ 24 min.
Longueur totale	966 mm
Poids net	1,1 kg
Tension nominale	18 V C.C.

- Étant donné l'évolution constante de notre programme de recherche et de développement, les spécifications contenues dans ce manuel sont sujettes à des modifications sans préavis.
- Les spécifications et la batterie peuvent varier d'un pays à l'autre.
- Poids, batterie incluse, selon la procédure EPTA 01/2003

Symboles

END315-1

Les symboles utilisés pour l'appareil sont indiqués ci-dessous. Assurez-vous d'avoir bien compris leur signification avant d'utiliser l'appareil.



..... Reportez-vous au manuel d'instructions.



..... Pour les pays européens uniquement
Ne pas jeter les appareils électriques et les bloc-batteries dans les ordures ménagères !
Conformément aux directives européennes relatives aux déchets d'équipements électriques ou électroniques (DEEE) ainsi qu'aux batteries et accumulateurs usagés et à leur transposition dans la législation nationale, les appareils électriques, les batteries et les bloc-batteries doivent être collectés à part et être soumis à un recyclage respectueux de l'environnement.

Utilisations

ENE017-1

Cet outil est conçu pour la collecte de poussière sèche.

IMPORTANT

ENA005-5

CONSIGNES DE SÉCURITÉ

Lors de l'utilisation d'un appareil électrique, des précautions élémentaires incluant les suivantes doivent toujours être prises :

LISEZ TOUTES LES INSTRUCTIONS AVANT D'UTILISER CET APPAREIL.

AVERTISSEMENT - Pour réduire les risques d'incendie, de choc électrique ou de blessure :

1. Gardez à l'abri de la pluie. Entreposez en intérieur.
2. Ceci n'est pas un jouet. Soyez très vigilant lorsque cet appareil est utilisé par des enfants ou à proximité d'enfants.
3. Utilisez uniquement comme décrit dans ce manuel. Utilisez uniquement les accessoires recommandés par le fabricant.
4. N'utilisez pas avec une batterie endommagée. Si l'appareil ne fonctionne pas comme il le devrait, s'il est tombé par terre, est endommagé, est resté dehors ou a été immergé dans l'eau, rapportez-le dans un centre de service après-vente.

5. **Ne manipulez pas l'appareil avec les mains humides.**
6. **Ne placez aucun objet dans ses ouvertures.**
N'utilisez pas l'appareil si l'une de ses ouvertures est obstruée ; retirez la poussière, les peluches, les cheveux et tout élément susceptible de réduire le débit d'air.
7. **Gardez les cheveux, vêtements amples, doigts et toute partie du corps éloignés des ouvertures et des pièces mobiles.**
8. **Mettez toutes les commandes hors tension avant de retirer la batterie.**
9. **Soyez extrêmement vigilant lors du nettoyage d'escaliers.**
10. **N'utilisez pas cet appareil pour aspirer des liquides inflammables ou combustibles, tels que de l'essence, et évitez les lieux dans lesquels ces composants risquent d'être présents.**
11. **Utilisez uniquement le chargeur fourni par le fabricant pour recharger l'appareil.**
12. **N'aspirez aucun élément en combustion ou émettant de la fumée, tel que des cigarettes, des allumettes ou des cendres chaudes.**
13. **N'utilisez pas l'appareil si les filtres ne sont pas en place.**
14. **Ne chargez pas la batterie en extérieur.**

Utilisation et entretien de la batterie

15. **N'utilisez que le chargeur spécifié par le fabricant.**
Un chargeur adapté à un type de batterie peut créer un risque d'incendie s'il est utilisé avec un autre type de batterie.
16. **Utilisez les outils électriques uniquement avec les batteries indiquées.** L'utilisation d'autres types de batterie peut créer un risque de blessures et d'incendie.
17. **Lorsque vous n'utilisez pas la batterie, tenez-la éloignée de tout objet métallique, tel que les trombones, pièces de monnaie, clefs, clous, vis ou autres petits objets métalliques susceptibles de faire office de connexion d'une borne à l'autre.**
18. **En cas de mauvaise utilisation, du liquide peut fuir de la batterie ; évitez tout contact. En cas de contact accidentel, nettoyez la surface en question à l'eau.**

CONSERVEZ CES INSTRUCTIONS.

Cet appareil est destiné à un usage domestique.

CONSIGNES DE SÉCURITÉ ADDITIONNELLES

ENB114-3

1. **Avant d'utiliser l'appareil, lisez attentivement son manuel d'instructions et celui du chargeur.**
2. **N'aspirez pas les matériaux suivants :**
 - Les matériaux chauds, tels que des cigarettes allumées ou de la poussière d'étincelle/métallique générée lors du meulage/de la découpe de métal
 - Les matériaux inflammables, tels que l'essence, les diluants, le benzène, le kérosène ou la peinture

- Les matériaux explosifs, tels que la nitroglycérine
- Les matériaux inflammables, tels que l'aluminium, le zinc, le magnésium, le titane, le phosphore ou la cellulose
- La saleté humide, l'eau, l'huile ou tout autre matériau similaire
- Les objets durs présentant des arêtes tranchantes, tels que des copeaux de bois, du métal, des pierres, du verre, des clous, des épingles ou des rasoirs
- De la poudre susceptible de se solidifier, telle que du ciment ou du toner
- De la poussière conductrice, telle que du métal ou du carbone
- De fines particules, telles que de la poussière de béton

L'aspiration de ce type de matériau peut provoquer un incendie, des blessures et/ou des dégâts matériels.

3. **Arrêtez immédiatement votre outil dès que vous notez une anomalie.**
4. **Si vous laissez tomber ou heurtez l'aspirateur, examinez-le soigneusement pour vous assurer qu'il n'est pas fissuré ou endommagé avant de l'utiliser.**
5. **Ne l'approchez pas d'un poêle ou d'une autre source de chaleur.**
6. **N'obstruez pas l'orifice de prise d'air ou les orifices de ventilation.**

CONSERVEZ CES INSTRUCTIONS.

CONSIGNES DE SÉCURITÉ IMPORTANTES

ENC009-2

POUR LA BATTERIE

1. **Avant d'utiliser la batterie, veuillez lire toutes les instructions et tous les avertissements inscrits sur (1) le chargeur, (2) la batterie et (3) l'appareil alimenté par la batterie.**
2. **Ne démontez pas la batterie.**
3. **Cessez immédiatement d'utiliser l'appareil si le temps de fonctionnement devient excessivement court. Il y a risque de surchauffe, de brûlures, voire d'explosion.**
4. **Si l'électrolyte pénètre dans vos yeux, rincez-les à l'eau claire et consultez immédiatement un médecin. Il y a risque de perte de la vue.**
5. **Ne court-circuitez pas la batterie :**
 - (1) **Ne touchez les bornes avec aucun matériau conducteur.**
 - (2) **Évitez de ranger la batterie dans un contenant où se trouvent d'autres objets métalliques tels que des clous, pièces de monnaie, etc.**
 - (3) **N'exposez pas la batterie à l'eau ou à la pluie. Un court-circuit de la batterie risque de provoquer un fort courant, une surchauffe, parfois des brûlures, voire une panne.**

6. **Ne rangez pas l'outil ou la batterie dans des endroits où la température risque d'atteindre ou de dépasser 50°C.**
7. **Ne jetez pas la batterie au feu même si elle est sérieusement endommagée ou complètement épuisée. La batterie peut exploser au contact du feu.**
8. **Veillez à ne pas laisser tomber ou heurter la batterie.**
9. **N'utilisez pas de batterie endommagée.**
10. **Suivez les réglementations locales en ce qui concerne la collecte des batteries.**

CONSERVEZ CES INSTRUCTIONS.

Conseils pour garantir une durée de vie optimale de la batterie

1. **Rechargez la batterie avant qu'elle soit complètement épuisée. Arrêtez toujours l'outil et rechargez la batterie lorsque vous constatez que la puissance de l'outil diminue.**
2. **Ne rechargez jamais une batterie complètement chargée. La surcharge réduit la durée de service de la batterie.**
3. **Rechargez la batterie à une température ambiante de 10°C - 40°C. Si une batterie est chaude, laissez-la refroidir avant de la charger.**

DESCRIPTION DU FONCTIONNEMENT

⚠ ATTENTION :

- Veillez toujours à ce que l'outil soit éteint et la batterie retirée avant d'effectuer des réglages ou de vérifier le fonctionnement de l'outil.
- Lors du chargement de la batterie, veillez à ne pas vous coincer les doigts entre l'aspirateur et la batterie, comme illustré sur le schéma. Vous pourriez vous blesser. (Fig. 1)

Installation ou retrait de la batterie (Fig. 2)

⚠ ATTENTION :

- Éteignez toujours l'outil avant d'installer ou de retirer la batterie.
- **Tenez fermement l'outil et la batterie lors de l'installation ou du retrait de la batterie.** Si vous ne tenez pas fermement l'outil et la batterie, ils risquent de glisser et de s'abîmer ou de vous blesser.

Pour retirer la batterie, faites glisser le bouton à l'avant de la batterie et sortez la batterie.

Pour installer la batterie, alignez sa languette sur la rainure qui se trouve à l'intérieur du boîtier, puis faites glisser la batterie pour la mettre en place. Insérez-la bien à fond, jusqu'à ce qu'elle se verrouille en émettant un léger clic. Si vous voyez le voyant rouge sur la face supérieure du bouton, la batterie n'est pas parfaitement verrouillée.

⚠ ATTENTION :

- Installez toujours la batterie à fond, de sorte que le voyant rouge ne soit plus visible. Sinon, elle risque de tomber accidentellement de l'outil et de vous blesser ou de blesser une personne située près de vous.
- Ne forcez pas pour installer la batterie. Si la batterie ne glisse pas aisément, elle n'est pas insérée correctement.

Système de protection de la batterie

L'outil est équipé d'un système de protection de la batterie. Ce système coupe automatiquement l'alimentation vers le moteur afin de prolonger la durée de vie de la batterie.

L'outil s'arrête automatiquement pendant le fonctionnement lorsqu'il et/ou la batterie se trouvent dans l'une des situations suivantes :

- En surcharge :
L'outil fonctionne de manière à créer un courant anormalement élevé.
Dans ce cas, relâchez la gâchette de l'outil et arrêtez l'application ayant entraîné la surcharge de l'outil. Ensuite, appuyez à nouveau sur la gâchette pour redémarrer l'outil.
Si l'outil ne démarre pas, la batterie est en surchauffe. Dans ce cas, laissez la batterie refroidir avant d'appuyer à nouveau sur la gâchette.
- Faible tension de la batterie :
L'autonomie restante de la batterie est trop basse et l'outil ne fonctionnera pas. Si vous appuyez sur la gâchette, le moteur redémarre mais s'arrête peu après. Dans ce cas, retirez la batterie et rechargez-la.

Fonctionnement de la gâchette

⚠ ATTENTION :

- Avant d'insérer la batterie dans l'outil, vérifiez toujours que la gâchette fonctionne correctement et revient en position d'arrêt lorsqu'elle est libérée.

Pour mettre l'outil en marche, appuyez simplement sur la gâchette. Pour l'arrêter, relâchez la gâchette. (Fig. 3)

MONTAGE

⚠ ATTENTION :

- Veillez toujours à mettre l'outil hors tension et à retirer la batterie avant d'effectuer toute intervention sur l'outil.

Élimination des poussières

⚠ ATTENTION :

- Videz l'aspirateur avant qu'il soit trop rempli, au risque de diminuer la force d'aspiration.
- Veillez à vider la poussière présente dans l'aspirateur. À défaut, le filtre en éponge risque d'être obstrué ou le moteur endommagé.

Pour faire tomber la poussière collée au filtre dans le couvercle, tapez 4 ou 5 fois sur la circonférence du couvercle avec votre main. (Fig. 4)

Ensuite, orientez l'orifice d'aspiration vers le bas, tournez le couvercle dans le sens indiqué par la flèche sur le schéma et désolidarisez lentement le couvercle en ligne droite. (Fig. 5)

REMARQUE :

- De la poussière risque de se répandre lors de l'ouverture du couvercle. Veillez à maintenir le couvercle le plus verticalement possible et placez un sac poubelle sous le couvercle.

Retirez la poussière accumulée à l'intérieur du couvercle et sur le préfiltre. (Fig. 6)

Tournez le préfiltre dans le sens indiqué par la flèche pour détacher la lèvres de butée de l'aspirateur, puis tirez sur le préfiltre pour le retirer. (Fig. 7)

Retirez la poussière fine présente sur le préfiltre. Ensuite, retirez le filtre et tapez doucement dessus pour en ôter la poussière. (Fig. 8)

Remontage

Tout d'abord, placez le filtre de sorte qu'il ne bouge pas. Si le filtre n'est pas correctement positionné, de la poussière va pénétrer à l'intérieur du boîtier du moteur et endommager le moteur. Ensuite, placez le préfiltre sur le filtre. (Fig. 9)

Tournez l'ensemble des filtres, ajustez la position des deux lèvres de butée sur le préfiltre et raccordez-les aux coulisses situées sur le boîtier de l'aspirateur. (Fig. 10)

Mettez le couvercle en place en alignant les repères d'alignement situés sur la poignée et le couvercle, tournez fermement le couvercle dans le sens indiqué par la flèche jusqu'à ce qu'il soit bien en place. (Fig. 11 et 12)

REMARQUE :

- Veillez toujours à retirer la poussière avant d'utiliser l'appareil, car une quantité trop importante de poussière à l'intérieur de l'aspirateur réduira sa puissance d'aspiration.
- Vérifiez toujours que le filtre et le préfiltre sont correctement chargés avant d'utiliser l'aspirateur. S'ils ne sont pas correctement chargés, de la poussière va pénétrer à l'intérieur du boîtier du moteur et endommager le moteur.

FONCTIONNEMENT

⚠ ATTENTION :

- Pour insérer (ou retirer) l'embout, tournez-le dans le sens dans aiguilles d'une montre. Si vous le tournez dans le sens inverse des aiguilles d'une montre, le couvercle risque de se détacher. (Fig. 13)

Nettoyage (aspiration)

Embout (Fig. 14)

Fixez l'embout pour nettoyer une table, un bureau, un meuble, etc. L'embout glisse aisément.

Embout + tube de rallonge (tuyau droit) (Fig. 15)

Le tube de rallonge s'adapte entre l'embout et l'aspirateur. Cet assemblage est pratique pour nettoyer un sol tout en restant debout.

Embout d'angle (Fig. 16)

Adaptez l'embout d'angle pour nettoyer les coins et les fissures d'une voiture ou d'un meuble.

Embout d'angle + tube de rallonge (tuyau droit) (Fig. 17)

Utilisez cet assemblage dans les endroits exigus où l'aspirateur ne peut pas passer, ou bien dans les lieux en hauteur difficiles d'accès.

Nettoyage sans embout (Fig. 18)

Vous pouvez aspirer la poudre et la poussière sans embout.

ENTRETIEN

⚠ ATTENTION :

- Assurez-vous toujours que l'appareil est éteint avant d'effectuer tout travail d'inspection ou d'entretien.

Nettoyage (Fig. 19)

Nettoyez régulièrement la partie extérieure de l'aspirateur (corps de l'aspirateur) à l'aide d'un chiffon trempé dans de l'eau savonneuse.

Nettoyez également l'orifice d'aspiration, la zone de montage du sac à poussière/pack à poussière et la butée antipoussière.

⚠ ATTENTION :

- N'utilisez jamais d'essence, de benzine, de diluant, d'alcool ou de produit similaire. Ces produits risquent de provoquer des décolorations, des déformations ou des fissures.

Lavez le filtre dans de l'eau savonneuse s'il est obstrué par de la poussière et lorsque la puissance de l'aspirateur faiblit. Séchez-le bien avant de l'utiliser. Un filtre mal séché peut entraîner une mauvaise aspiration et réduire la durée de service du moteur. (Fig. 20)

Ne soufflez pas sur la poussière collée à l'aspirateur à l'aide d'un aspirateur pneumatique. Ce type d'appareil envoie la poussière dans le boîtier et provoque des dysfonctionnements.

Éléments à vérifier avant d'envoyer l'appareil en réparation

Symptôme	Élément à examiner	Remède
Faible puissance d'aspiration	<ul style="list-style-type: none">• Le couvercle est-il plein de poussière ?• Le filtre est-il obstrué ?• La batterie est-elle épuisée ?	<ul style="list-style-type: none">• Videz la poussière du couvercle.• Faites tomber la poussière ou lavez le filtre.• Rechargez la batterie.
Ne fonctionne pas	<ul style="list-style-type: none">• La batterie est-elle épuisée ?	<ul style="list-style-type: none">• Rechargez la batterie.

REMARQUE :

- N'essayez pas de réparer l'aspirateur vous-même. Pour garantir la SÉCURITÉ et la FIABILITÉ du produit, les réparations ainsi que tout autre travail d'entretien ou de réglage doivent être effectués dans un centre d'entretien Makita agréé, exclusivement avec des pièces de rechange Makita.

ACCESSOIRES FOURNIS EN OPTION

 ATTENTION :

- Ces accessoires ou pièces complémentaires sont recommandés pour être utilisés avec l'outil Makita spécifié dans ce mode d'emploi. L'utilisation de tout autre accessoire ou pièce complémentaire peut comporter un risque de blessure. N'utilisez les accessoires ou pièces qu'aux fins auxquelles ils ont été conçus.

Pour obtenir plus de détails sur ces accessoires, contactez votre Centre de service local Makita.

- Tube de rallonge (tuyau droit)
- Embout
- Embout pour tapis
- Brosse à étagère
- Embout d'angle
- Brosse ronde
- Tuyau flexible
- Filtre
- Préfiltre
- Batterie et chargeur Makita d'origine

REMARQUE :

- Certains éléments de la liste peuvent être inclus en tant qu'accessoires standard dans le coffret de l'outil envoyé. Ils peuvent varier suivant les pays.

DEUTSCH (Originalanweisungen)

WARNUNG: Dieses Gerät darf von Kindern ab dem 8. Lebensjahr und von Personen mit verminderten physischen, sensorischen oder psychischen Fähigkeiten oder fehlenden Erfahrungen und Kenntnissen verwendet werden, sofern sie beaufsichtigt werden oder in der sicheren Anwendung des Geräts unterwiesen wurden und die möglichen Gefahren verstehen. Kinder dürfen das Gerät nicht zum Spielen verwenden. Kinder dürfen das Gerät nur unter Aufsicht reinigen und warten.

Erklärung der Gesamtdarstellung

- | | | |
|---------------------|------------------------------|------------------------|
| 1. Roter Bereich | 6. Ansaugöffnung | 11. Griff |
| 2. Taste | 7. Vorfilter | 12. Düse |
| 3. Akkublock | 8. Sicherungskante | 13. Staubsaugergehäuse |
| 4. Ein/Aus-Schalter | 9. Filter | 14. Verlängerungsrohr |
| 5. Kapsel | 10. Ausrichtungsmarkierungen | 15. Eckdüse |

TECHNISCHE DATEN

Modell	CL183D
Fassungsvermögen	600 ml
Dauerbetrieb	ca. 24 min.
Gesamtlänge	966 mm
Nettogewicht	1,1 kg
Nennspannung	18 V Gleichspannung

- Aufgrund unserer beständigen Forschungen und Weiterentwicklungen sind Änderungen an den hier angegebenen Technischen Daten ohne Vorankündigung vorbehalten.
- Die Technischen Daten und der Akkublock können in den einzelnen Ländern Abweichungen aufweisen.
- Gewicht, mit Akkublock, ermittelt gemäß EPTA-Verfahren 01/2003

Symbole

END315-1

Im Folgenden sind die im Zusammenhang mit diesem Gerät verwendeten Symbole dargestellt. Machen Sie sich vor der Benutzung des Geräts unbedingt mit diesen Symbolen vertraut.



..... Lesen Sie die Bedienungsanleitung.



..... Nur für EU-Länder

Entsorgen Sie Elektrowerkzeuge, Batterien und Akkus nicht über den Hausmüll!
Gemäß der Europäischen Richtlinie über Elektro- und Elektronik- Altgeräte und über Batterien und Akkumulatoren sowie Altbatterien und Altakkumulatoren und ihrer Umsetzung in nationales Recht müssen verbrauchte Elektrowerkzeuge sowie Altbatterien und Altakkumulatoren getrennt gesammelt und einer umweltgerechten Wiederverwertung zugeführt werden.

Verwendungszweck

ENE017-1

Dieses Gerät wurde für das Aufsaugen von Staub entwickelt.

WICHTIG

ENA005-5

SICHERHEITSHINWEISE

Beim Gebrauch von Elektrowerkzeugen und -geräten sind immer grundsätzliche Sicherheitsregeln einzuhalten, von denen einige im Folgenden aufgeführt sind:

LESEN SIE VOR GEBRAUCH DIESES GERÄTS ALLE ANLEITUNGEN.

WARNUNG - Um die Gefahr eines Brandes, eines Stromschlags oder von Verletzungen zu vermeiden:

1. **Setzen Sie das Gerät nicht Regen aus. Bewahren Sie das Gerät in einem geschlossenen Raum auf.**
2. **Lassen Sie eine Verwendung als Spielzeug nicht zu. Erhöhte Aufmerksamkeit ist bei der Verwendung durch oder in der Nähe von Kindern erforderlich.**
3. **Verwenden Sie das Gerät nur wie in dieser Anleitung beschrieben. Verwenden Sie ausschließlich vom Hersteller empfohlene Zubehörteile.**
4. **Verwenden Sie niemals einen beschädigten Akku. Wenn das Gerät nicht wie erwartet funktioniert,**

- heruntergefallen ist, beschädigt ist, im Freien aufbewahrt wurde oder ins Wasser gefallen ist, lassen Sie das Gerät unbedingt von einem Servicecenter überprüfen und ggf. reparieren.
5. Handhaben Sie das Gerät nicht mit nassen Händen.
 6. Stecken Sie keine Gegenstände in die Öffnungen. Verwenden Sie den Staubsauger nicht mit verstopften Öffnungen; halten Sie den Staubsauger frei von Staub, Flusen, Haaren und allem, das den Luftstrom beeinträchtigen könnte.
 7. Halten Sie Haar, locker anliegende Kleidung und Ihren Körper, insbesondere Ihre Finger, von Öffnungen und sich bewegenden Teilen fern.
 8. Schalten Sie alle Bedienelemente aus, bevor Sie den Akku entnehmen.
 9. Seien Sie besonders beim Reinigen von Treppen achtsam.
 10. Verwenden Sie dieses Gerät nicht, um entflammare oder brennbare Flüssigkeiten wie z. B. Kraftstoffe aufzunehmen, und verwenden Sie es nicht in Bereichen, in denen derartige Stoffe vorhanden sein können.
 11. Laden Sie Akku ausschließlich mit dem vom Hersteller mitgelieferten Ladegerät auf.
 12. Saugen Sie mit diesem Gerät keine brennenden oder rauchenden Gegenstände wie z. B. glimmende Zigaretten/Tabakreste, Streichhölzer oder heiße Asche auf.
 13. Verwenden Sie das Gerät niemals ohne eingesetzte Filter.
 14. Laden Sie den Akku nicht im Freien auf. Verwendung und Pflege von akkubetriebenen Werkzeugen/Geräten
 15. Der Akku darf nur mit dem vom Hersteller vorgegebenen Ladegerät aufgeladen werden. Ein Ladegerät, das sich für den einen Akkutyp eignet, kann bei der Verwendung mit einem anderen Akku eine Brandgefahr darstellen.
 16. Elektrowerkzeuge und Elektrogeräte dürfen nur mit den speziell dafür vorgesehenen Akkus verwendet werden. Bei Verwendung anderer Akkus besteht Verletzungs- und Brandgefahr.
 17. Nicht verwendete Akkublocke dürfen nicht in der Nähe von anderen metallischen Gegenständen wie Büroklammern, Münzen, Schlüsseln, Nägeln, Schrauben oder sonstigen metallischen Kleingegegenständen aufbewahrt werden, da durch derartige Gegenstände die Gefahr besteht, dass eine leitende Verbindung zwischen den Kontakten hergestellt wird.
 18. Bei unsachgemäßem Gebrauch kann Flüssigkeit aus dem Akku austreten; vermeiden Sie in diesem Fall jeglichen Kontakt mit der Flüssigkeit. Wenn Sie versehentlich mit Flüssigkeit aus dem Akku in Berührung geraten, waschen Sie die betroffene Stelle gründlich mit Wasser ab.

BEWAHREN SIE DIESE ANLEITUNG SORGFÄLTIG AUF.

Dieses Gerät ist zur Verwendung in einem Haushalt vorgesehen.

ZUSÄTZLICHE SICHERHEITSREGELN

ENB114-3

1. Lesen Sie vor der Verwendung des Geräts die vorliegende Betriebsanleitung sowie die Betriebsanleitung zum Ladegerät aufmerksam durch.
2. Saugen Sie nicht die folgenden Materialien auf:
 - Heiße Materialien wie glimmende Zigaretten/Tabakreste oder glühenden/metallenen Staub, der beim Schleifen/Schneiden von Material entstanden ist
 - Feuergefährliche Materialien wie Kraftstoffe, Verdüner, Waschbenzin, Petroleum oder Farben
 - Explosive Materialien wie Nitroglycerin
 - Entzündliche Materialien wie Aluminium, Zink, Magnesium, Titan, Phosphor oder Zelluloid
 - Feuchter Staub, Wasser, Öl o. Ä.
 - Harte Teile mit scharfen Kanten wie z. B. Holzspäne, Metalle, Steine, Glas, Nägel, Reißzwecken oder Klängen
 - Klumpen bildende Pulver wie Zement oder Toner
 - Leitfähiger Staub wie Metall oder Karbon
 - Feinstaubpartikel wie Zementstaub
 Anderenfalls kann es zu einem Brand, zu Verletzungen und/oder zu Sachschäden kommen.
3. Unterbrechen Sie bei Auftreten von Störungen den Betrieb sofort.
4. Falls der Staubsauger heruntergefallen ist oder gestoßen wurde, überprüfen Sie ihn vor dem Betrieb sorgfältig auf Risse oder Beschädigungen.
5. Bringen Sie den Staubsauger nicht in die Nähe von Öfen oder anderen Wärmequellen.
6. Blockieren Sie weder die Einlassöffnung noch die Lüftungslöcher.

BEWAHREN SIE DIESE ANLEITUNG SORGFÄLTIG AUF.

WICHTIGE SICHERHEITSREGELN

ENC009-2

FÜR AKKUBLOCK

1. Lesen Sie vor der Verwendung des Akkublocks alle Anweisungen und Sicherheitshinweise für das Akkuladegerät (1), den Akku (2) und das Produkt (3), für das der Akku verwendet wird, sorgfältig durch.
2. Der Akkublock darf nicht zerlegt werden.
3. Falls die Betriebsdauer erheblich kürzer wird, beenden Sie den Betrieb umgehend. Anderenfalls besteht die Gefahr einer Überhitzung sowie die Gefahr von Verbrennungen und sogar einer Explosion.
4. Wenn Elektrolyt in die Augen geraten ist, waschen Sie die Augen mit klarem Wasser aus, und suchen Sie sofort einen Arzt auf. Anderenfalls kann es zum Verlust der Sehfähigkeit kommen.
5. Vermeiden Sie einen Kurzschluss des Akkublocks:
 - (1) Die Kontakte dürfen nicht mit leitenden Materialien in Berührung kommen.

(2) Der Akkublock darf nicht in einem Behälter aufbewahrt werden, in dem sich andere metallische Gegenstände wie beispielsweise Nägel, Münzen usw. befinden.

(3) Der Akkublock darf keiner Feuchtigkeit und keinem Regen ausgesetzt werden.

Ein Kurzschluss des Akkus kann zu elektrischen Strömen hoher Stärke, Überhitzung, Verbrennungen und sogar zu einer Zerstörung des Geräts führen.

6. Werkzeug und Akkublock dürfen nicht an Orten aufbewahrt werden, an denen die Temperatur 50°C oder höher erreichen kann.
7. Auch schwer beschädigte oder völlig unbrauchbar gewordene Akkublöcke dürfen nicht verbrannt werden. Ein Akkublock kann in den Flammen explodieren.
8. Lassen Sie den Akku nicht fallen und vermeiden Sie Schläge gegen den Akku.
9. Verwenden Sie niemals einen beschädigten Akku.
10. Befolgen Sie die in Ihrem Land geltenden Bestimmungen zur Entsorgung von Akkus.

BEWAHREN SIE DIESE ANLEITUNG SORGFÄLTIG AUF.

Tipps für eine maximale Nutzungsdauer von Akkus

1. Laden Sie den Akkublock auf, bevor der Akku vollständig entladen ist.
Beenden Sie stets den Betrieb des Geräts und laden Sie den Akkublock auf, sobald Sie eine verringerte Leistung bemerken.
2. Ein voll aufgeladener Akkublock darf niemals erneut geladen werden.
Durch Überladungen wird die Lebensdauer des Akkus verkürzt.
3. Der Akkublock muss bei einer Zimmertemperatur zwischen 10°C und 40°C aufgeladen werden. Lassen Sie einen heißen Akkublock vor dem Aufladen abkühlen.

FUNKTIONSBESCHREIBUNG

⚠️ ACHTUNG:

- Schalten Sie das Werkzeug stets aus und nehmen Sie den Akkublock vom Werkzeug ab, bevor Sie Einstellungen oder Funktionsprüfungen am Werkzeug vornehmen.
- Achten Sie darauf, dass Sie Ihre Finger nicht zwischen Staubsauger und Akku einklemmen, wenn Sie den Akku einsetzen (siehe Abbildung). Das Einklemmen der Finger kann zu Verletzungen führen. (Abb. 1)

Einsetzen und Entfernen des Akkublocks (Abb. 2)

⚠️ ACHTUNG:

- Schalten Sie das Werkzeug stets aus, bevor Sie den Akkublock einsetzen oder abnehmen.
- Halten Sie das Werkzeug und den Akkublock gut fest, wenn Sie den Akkublock einsetzen oder abnehmen. Andernfalls könnte Ihnen das Werkzeug

oder der Akkublock aus den Händen fallen, sodass das Werkzeug oder der Akkublock beschädigt werden oder diese Verletzungen verursachen.

Zum Abnehmen des Akkublocks müssen Sie die Taste auf der Vorderseite des Akkublocks schieben und gleichzeitig den Akkublock aus dem Gerät herausziehen. Zum Einsetzen des Akkublocks müssen Sie die Zunge des Akkublocks an der Nut im Gehäuse ausrichten und den Akkublock in Position schieben. Setzen Sie den Akkublock ganz ein, bis er mit einem leisen Klick hörbar einrastet. Wenn Sie den roten Bereich oben auf der Taste sehen können, ist der Akkublock nicht ganz eingerastet.

⚠️ ACHTUNG:

- Setzen Sie den Akkublock unbedingt ganz ein, bis der rote Bereich nicht mehr zu sehen ist. Andernfalls kann der Akkublock versehentlich aus dem Werkzeug fallen und Sie oder umstehende Personen verletzen.
- Wenden Sie beim Einsetzen des Akkublocks keine Gewalt an. Wenn der Akkublock nicht leicht hineingleitet, haben Sie ihn nicht richtig angesetzt.

Akku-Schutzsystem

Das Werkzeug ist mit einem Akku-Schutzsystem ausgestattet. Dieses System schaltet die Stromversorgung des Motors automatisch aus, um die Lebensdauer des Akkus zu verlängern.

Unter folgenden Bedingungen des Werkzeugs und/oder des Akkus kann das Werkzeug während des Betriebs automatisch stoppen:

- Überlastet:
Das Werkzeug wird auf eine Weise betrieben, die zu einer abnormal hohen Stromaufnahme führt. Lassen Sie in dieser Situation den Ein/Aus-Schalter des Werkzeugs los und stoppen Sie die Anwendung, die zur Überlastung des Werkzeugs geführt hat. Betätigen Sie dann zum Neustart noch einmal den Ein/Aus-Schalter.
Wenn das Werkzeug nicht startet, ist der Akku überhitzt. Lassen Sie in dieser Situation den Akku erst abkühlen, bevor Sie wieder den Ein/Aus-Schalter betätigen.
- Spannung des Akkus zu niedrig:
Die noch vorhandene Akkuladung ist zu niedrig und das Werkzeug startet nicht. Bei Betätigung des Ein/Aus-Schalters läuft der Motor an, stoppt jedoch sogleich wieder. Nehmen Sie in dieser Situation den Akku ab und laden Sie den Akku wieder auf.

Einschalten

⚠️ ACHTUNG:

- Achten Sie vor dem Einsetzen des Akkublocks in das Werkzeug darauf, dass sich der Ein/Aus-Schalter korrekt bedienen lässt und beim Loslassen in die Position „OFF“ (AUS) zurückkehrt.

Zum Einschalten des Werkzeugs betätigen Sie einfach den Ein/Aus-Schalter. Lassen Sie zum Ausschalten des Werkzeugs den Ein/Aus-Schalter los. (Abb. 3)

MONTAGE

ACHTUNG:

- Schalten Sie das Werkzeug stets aus und entfernen Sie den Akkublock, bevor Sie Arbeiten am Werkzeug ausführen.

Entsorgen des Staubs

ACHTUNG:

- Leeren Sie den Staubsauger, bevor dieser zu voll und die Ansaugleistung zu schwach wird.
- Entfernen Sie auch den Staub im Innern des Staubsaugers selbst. Andernfalls kann der Filter verstopfen oder der Motor beschädigt werden.

Um den am Filter in der Kapsel anhaftenden Staub zu entfernen, klopfen Sie 4 oder 5 Mal mit der Hand auf den Umfang der Kapsel. (Abb. 4)

Richten Sie dann die Ansaugöffnung nach unten, drehen Sie die Kapsel in Pfeilrichtung der Abbildung und nehmen Sie die Kapsel langsam und gerade ab. (Abb. 5)

HINWEIS:

- Beim Öffnen der Kapsel kann Staub austreten. Achten Sie darauf, die Kapsel so senkrecht wie möglich zu halten, und stellen Sie einen Müllbeutel unter die Kapsel.

Entfernen Sie den Staub von der Kapselinnenseite und vom Vorfilter. (Abb. 6)

Drehen Sie den Vorfilter in Pfeilrichtung, um die Sicherungskante vom Staubsauger zu lösen und ziehen Sie den Vorfilter heraus. (Abb. 7)

Entfernen Sie den Feinstaub vom Vorfilter. Entfernen Sie anschließend den Filter und klopfen Sie diesen leicht, um den Staub zu lösen. (Abb. 8)

Wiedermontage

Zuerst den Filter einsetzen, ohne dass er zurückgeschoben wird. Falls der Filter nicht ordnungsgemäß eingesetzt wird, gelangt Staub in das Motorgehäuse und kann einen Ausfall des Motors verursachen. Dann den Vorfilter über den Filter schieben. (Abb. 9)

Drehen Sie den Filtersatz und richten Sie dabei die beiden Sicherungskanten am Vorfilter so aus, dass sie in den Nuten am Staubsaugergehäuse einrasten. (Abb. 10) Bringen Sie die Kapsel an, indem Sie die Ausrichtungsmarkierungen an Griff und Kapsel in Deckung bringen und drehen Sie anschließend die Kapsel in Pfeilrichtung, bis sie fest sitzt. (Abb. 11 und 12)

HINWEIS:

- Entfernen Sie den Staub stets rechtzeitig, da die Ansaugleistung nachlässt, wenn sich zu viel Staub im Staubsauger ansammelt.
- Prüfen Sie stets vor Verwendung des Staubsaugers, dass sowohl der Filter als auch der Vorfilter ordnungsgemäß eingesetzt wurden. Falls diese nicht korrekt eingesetzt wurden, gelangt Staub in das Motorgehäuse und kann einen Ausfall des Motors verursachen.

BETRIEB

ACHTUNG:

- Drehen Sie die Düse beim Anbringen (oder Abnehmen) im Uhrzeigersinn. Wenn sie gegen den Uhrzeigersinn gedreht wird, kann sich die Kapsel lösen. (Abb. 13)

Reinigung (Saugen)

Düse (Abb. 14)

Bringen Sie zum Reinigen von Tischen, Pulten, Möbeln usw. die Düse an. Diese lässt sich sehr leicht anbringen.

Düse + Verlängerungsrohr (gerades Rohr) (Abb. 15)

Das Verlängerungsrohr passt zwischen Düse und Staubsauger. Diese Anordnung ist praktisch zum Reinigen des Bodens, während Sie aufrecht stehen.

Eckdüse (Abb. 16)

Stecken Sie zum Reinigen von Ecken und Spalten in einem Auto oder in Polstermöbeln die Eckdüse auf.

Eckdüse + Verlängerungsrohr (gerades Rohr) (Abb. 17)

Verwenden Sie diese Anordnung, um in Bereiche zu gelangen, die für den Staubsauger zu eng sind, oder die aufgrund ihrer Höhe schwer zu erreichen sind.

Reinigung ohne Düse (Abb. 18)

Puder oder Staub können Sie auch ohne Düse aufsaugen.

WARTUNG

ACHTUNG:

- Schalten Sie das Gerät stets aus, bevor Sie Prüfungen oder Wartungsarbeiten durchführen.

Reinigung (Abb. 19)

Wischen Sie von Zeit zu Zeit das Äußere des Staubsaugers (Staubsaugergehäuse) mit einem mit Seifenwasser befeuchtetem Tuch ab.

Reinigen Sie auch die Ansaugöffnung, den Einsatzbereich des Staubbeutels oder der Papiertüte sowie den Staubstopper.

ACHTUNG:

- Verwenden Sie zum Reinigen niemals Kraftstoffe, Benzin, Verdünner, Alkohol oder ähnliches. Dies kann zu Verfärbungen, Verformungen oder Rissen führen. Waschen Sie den Filter bei Verschmutzung und bei nachlassender Reinigungsleistung in Seifenwasser. Lassen Sie den Filter vor der Verwendung gut trocknen. Ein unzureichend getrockneter Filter kann zu einer verminderten Saugleistung und einer kürzeren Lebenszeit des Motors führen. (Abb. 20)
- Blasen Sie am Staubsauger anhaftenden Staub nicht mit Druckluft weg. Dadurch gelangt Staub in das Gehäuse und kann einen Ausfall verursachen.

Zu prüfende Elemente, bevor Sie eine Reparatur beauftragen

Symptom	Mögliche Ursache	Methode zum Beheben der Ursache
Schwache Saugleistung	<ul style="list-style-type: none">• Ist die Kapsel voll mit Staub?• Ist der Filter verstopft?• Ist der Akku leer?	<ul style="list-style-type: none">• Leeren Sie den Staub aus der Kapsel.• Schütteln Sie den Staub aus oder waschen Sie den Filter.• Laden Sie den Akku wieder auf.
Funktioniert nicht	<ul style="list-style-type: none">• Ist der Akku leer?	<ul style="list-style-type: none">• Laden Sie den Akku wieder auf.

010051

HINWEIS:

- Versuchen Sie nicht selbst, den Staubsauger zu reparieren.

Zur Gewährleistung von SICHERHEIT und ZUVERLÄSSIGKEIT des Produkts dürfen Reparaturen, Wartungsarbeiten und Einstellungen nur durch von Makita autorisierte Servicecenter durchgeführt und ausschließlich Makita-Ersatzteile verwendet werden.

SONDERZUBEHÖR

ACHTUNG:

- Für das in diesem Handbuch beschriebene Makita-Gerät werden die folgenden Zubehör- und Zusatzteile empfohlen. Bei Verwendung anderer Zubehör- und Zusatzteile kann es zu Verletzungen kommen. Verwenden Sie Zubehör- und Zusatzteile nur für den vorgesehenen Zweck.

Informationen zu diesem Zubehör erhalten Sie von Ihrem Makita-Servicecenter.

- Verlängerungsrohr (gerades Rohr)
- Düse
- Düse für Teppich
- Bodenbürste
- Eckdüse
- Rundbürste
- Flexibler Schlauch
- Filter
- Vorfilter
- Original-Akku und Original-Ladegerät von Makita

HINWEIS:

- Einige der in der Liste aufgeführten Elemente sind dem Werkzeugpaket als Standardzubehör beigelegt. Diese können in den einzelnen Ländern voneinander abweichen.

ITALIANO (Istruzioni originali)

AVVERTENZA: Questo dispositivo può essere utilizzato da bambini di età pari o superiore a 8 anni e da persone con ridotte capacità fisiche, sensoriali o mentali, o con scarsa esperienza e conoscenza del dispositivo, se sono sotto supervisione o se ricevono istruzioni riguardo all'uso del dispositivo stesso in maniera sicura e se ne comprendono i rischi. I bambini non devono giocare con il dispositivo. La pulizia e la manutenzione non devono essere eseguite da bambini che non siano supervisionati.

Spiegazione della vista generale

- | | | |
|-------------------------------|----------------------------|---------------------------|
| 1. Indicatore rosso | 6. Ingresso di aspirazione | 11. Impugnatura |
| 2. Pulsante | 7. Prefiltro | 12. Ugello |
| 3. Batteria | 8. Linguetta di sicurezza | 13. Corpo dell'aspiratore |
| 4. Interruttore di accensione | 9. Filtro | 14. Prolunga |
| 5. Capsula | 10. Segni di allineamento | 15. Ugello angolare |

CARATTERISTICHE TECNICHE

Modello	CL183D
Capacità	600 mL
Uso continuo	Circa 24 min.
Lunghezza complessiva	966 mm
Peso netto	1,1 kg
Tensione nominale	18 V CC

- Le caratteristiche tecniche riportate di seguito sono soggette a modifiche senza preavviso in virtù del nostro programma continuo di ricerca e sviluppo.
- Le caratteristiche tecniche e le batterie possono differire da paese a paese.
- Peso, comprensivo di batterie, calcolato in base alla Procedura EPTA 01/2003

Simboli

END315-1

Di seguito sono riportati i simboli utilizzati per l'utensile. È importante comprenderne il significato prima dell'uso.



..... Leggere il manuale di istruzioni.



Solo per Paesi UE

Non gettare le apparecchiature elettriche o le batterie tra i rifiuti domestici.

Secondo le Direttive Europee sui rifiuti di apparecchiature elettriche ed elettroniche, su batterie e accumulatori e sui rifiuti di batterie e di accumulatori, e la sua attuazione in conformità alle norme nazionali, le apparecchiature elettriche e le batterie esauste devono essere raccolte separatamente, al fine di essere riciclate in modo eco-compatibile.

Uso previsto

ENE017-1

L'utensile è progettato per la raccolta della polvere secca.

IMPORTANTE

ENA005-5

ISTRUZIONI DI SICUREZZA

Quando si usa un apparecchio elettrico vanno sempre seguite le seguenti precauzioni di base:

LEGGERE TUTTE LE ISTRUZIONI PRIMA DI UTILIZZARE IL PRESENTE APPARECCHIO.

AVVERTENZA - Per ridurre il rischio di incendi, scosse elettriche o lesioni:

- Evitare l'esposizione alla pioggia. Conservare in luoghi chiusi.
- Impedire l'uso come giocattolo. Prestare estrema attenzione durante l'utilizzo da parte o in prossimità di bambini.
- Utilizzare esclusivamente come specificato nel presente manuale. Utilizzare soltanto gli accessori raccomandati dal produttore.
- Non utilizzare con una batteria danneggiata. Se l'apparecchio non funziona come dovrebbe, se è caduto, se è rimasto danneggiato, se è stato lasciato all'aperto o se è caduto in acqua, consegnarlo presso un centro di assistenza.
- Non maneggiarlo con le mani bagnate.

6. **Non collocare oggetti nelle aperture. Non utilizzare con una o più aperture bloccate; tenere le aperture sgombre da polvere, filacci, peli, capelli e tutto ciò che potrebbe ridurre il flusso d'aria.**
7. **Tenere capelli, vestiti ampi, dita e qualsiasi parte del corpo lontani dalle aperture e dalle parti mobili.**
8. **Spegnerne tutti i comandi prima di rimuovere la batteria.**
9. **Usare estrema cautela quando si usa l'aspiratore sulle scale.**
10. **Non utilizzare per raccogliere liquidi infiammabili o combustibili, come la benzina, o in aree dove tali liquidi potrebbero essere presenti.**
11. **Per le ricariche, utilizzare soltanto il caricatore fornito in dotazione dal produttore.**
12. **Non raccogliere alcun oggetto che stia bruciando o producendo fumo, come sigarette, fiammiferi o ceneri calde.**
13. **Non utilizzare senza i filtri in posizione.**
14. **Non caricare la batteria all'aperto.**

Uso e cura della batteria

15. **Effettuare la ricarica esclusivamente con il caricabatterie specificato dal produttore. Un caricabatterie adatto per uno specifico tipo di batteria potrebbe provocare un pericolo di incendio se utilizzato con un'altra batteria.**
16. **Utilizzare gli utensili elettrici solo con le batterie specificate. L'uso di batterie diverse può far sorgere il rischio di infortuni o incendi.**
17. **La batteria, se non è in uso, deve essere tenuta lontana da altri oggetti in metallo quali graffette, monete, chiavi, chiodi, viti o altri piccoli oggetti metallici che possano stabilire un contatto tra un terminale e l'altro.**
18. **L'uso improprio può provocare la fuoriuscita del liquido della batteria; evitare il contatto con tale liquido. In caso di contatto accidentale sciacquare abbondantemente con acqua.**

CONSERVARE QUESTE ISTRUZIONI.

Questo apparecchio è destinato all'uso domestico.

REGOLE DI SICUREZZA AGGIUNTIVE

ENB114-3

1. **Leggere attentamente queste istruzioni per l'uso insieme a quelle del caricabatteria prima dell'utilizzo.**
2. **Non raccogliere i seguenti materiali:**
 - **Materiali caldi quali sigarette accese o scintille/polvere di metalli generate dalla smerigliatura/ dal taglio di metalli**
 - **Materiali infiammabili quali gasolina, diluenti, benzina, cherosene o vernici**
 - **Materiali esplosivi come nitroglicerina**
 - **Materiali infiammabili quali alluminio, zinco, magnesio, titanio, fosforo o celluloidi**
 - **Sporco bagnato, acqua, olio o simili**
 - **Oggetti duri con bordi taglienti, quali schegge di legno, metalli, pietre, vetri, chiodi, spilli o rasoi**

- **Polvere da raggrumare, come cemento o toner**
 - **Polvere conduttiva come metallo o carbonio**
 - **Particelle fini come polvere di calcestruzzo**
- In caso contrario potrebbero verificarsi incendi, lesioni e/o danni alla proprietà.**
3. **Terminare immediatamente l'uso in presenza di anomalie.**
 4. **Se l'aspiratore cade o viene colpito, controllare attentamente che non ci siano rotture o danni prima dell'uso.**
 5. **Non portare vicino a stufe, fornelli o altre fonti di calore.**
 6. **Non bloccare l'apertura d'aspirazione o quelle di sfiato.**

CONSERVARE QUESTE ISTRUZIONI.

ISTRUZIONI IMPORTANTI PER LA SICUREZZA

ENC009-2

PER LA BATTERIA

1. **Prima di utilizzare la batteria, leggere tutte le istruzioni e gli avvisi di sicurezza relativi a (1) caricabatterie, (2) batteria e (3) prodotto alimentato a batteria.**
2. **Non smontare la batteria.**
3. **Se il tempo di funzionamento diventa eccessivamente breve, interrompere immediatamente l'uso dell'utensile. Potrebbero verificarsi surriscaldamenti, ustioni o esplosioni.**
4. **In caso di contatto dell'elettrolita con gli occhi, sciacquare con acqua fresca e consultare immediatamente un medico. Potrebbero verificarsi danni permanenti alla vista.**
5. **Non cortocircuitare la batteria:**
 - (1) **Non toccare i terminali con materiali conduttori.**
 - (2) **Evitare di conservare la batteria in un contenitore con altri oggetti metallici come chiodi, monete, ecc.**
 - (3) **Non esporre la batteria all'acqua o alla pioggia. Un cortocircuito della batteria può causare un elevato flusso di corrente con conseguenti surriscaldamenti, possibili ustioni e persino guasti.**
6. **Non conservare l'utensile e la batteria a una temperatura superiore a 50°C.**
7. **Non smaltire la batteria nel fuoco, anche se gravemente danneggiata o del tutto esausta. Se esposta al fuoco, la batteria può esplodere.**
8. **Non far cadere o colpire la batteria.**
9. **Non utilizzare batterie danneggiate.**
10. **Osservare le normative locali sullo smaltimento delle batterie.**

CONSERVARE QUESTE ISTRUZIONI.

Suggerimenti per prolungare la durata della batteria

1. **Caricare la batteria prima che sia completamente scarica.**
Interrompere il lavoro e caricare la batteria se si nota una diminuzione di potenza dell'utensile.
2. **Non ricaricare una batteria completamente carica.**
Una ricarica eccessiva riduce la vita utile della batteria.
3. **Caricare la batteria in ambienti con una temperatura compresa tra 10°C e 40°C.** Attendere il raffreddamento della batteria prima di caricarla.

DESCRIZIONE FUNZIONALE

⚠ ATTENZIONE:

- Prima di regolare o controllare le funzioni dell'utensile, verificare sempre di averlo spento e di aver rimosso la batteria.
- Quando si carica la batteria prestare attenzione a non rimanere con le dita incastrate tra l'aspiratore e la batteria stessa, come mostrato nella figura, al fine di evitare lesioni. (Fig. 1)

Inserimento o rimozione della batteria (Fig. 2)

⚠ ATTENZIONE:

- Spegnere sempre l'utensile prima di inserire o rimuovere la batteria.
- **Tenere saldamente l'utensile e la batteria durante l'inserimento o la rimozione della batteria stessa.** In caso contrario potrebbero scivolare dalle mani, causando danni all'utensile e alla batteria o lesioni personali.

Per rimuovere la batteria, è sufficiente estrarla dall'utensile facendo scorrere il pulsante sulla parte anteriore della batteria.

Per inserire la batteria, allineare la linguetta sulla batteria stessa con la scanalatura nell'alloggiamento e farla scorrere in posizione. Inserirla a fondo fino a bloccarla in posizione con uno scatto. Se è visibile l'indicatore rosso sul lato superiore del pulsante, significa che la batteria non è completamente inserita.

⚠ ATTENZIONE:

- Inserire sempre a fondo la batteria, fino alla scomparsa dell'indicatore rosso. In caso contrario, potrebbe fuoriuscire accidentalmente dall'utensile, provocando danni all'operatore o a eventuali osservatori.
- Non forzare l'inserimento della batteria. Se la batteria non scorre agevolmente, significa che la manovra di inserimento non è corretta.

Sistema di protezione della batteria

L'utensile è dotato di un sistema di protezione della batteria. Questo sistema interrompe automaticamente l'alimentazione del motore per prolungare la durata della batteria.

L'utensile si spegne automaticamente durante l'uso se l'utensile stesso e/o la batteria si trovano in una delle seguenti condizioni:

- **Sovraccarico:**
La modalità d'uso dell'utensile provoca un assorbimento anomalo di corrente.
In questa situazione, rilasciare l'interruttore di accensione dell'utensile e interrompere l'operazione che ha provocato il sovraccarico dell'utensile stesso. Azionare di nuovo l'interruttore di accensione per riavviare l'utensile.
Se l'utensile non si avvia, si è verificato un surriscaldamento della batteria. In questo caso, attendere che la batteria si raffreddi prima di azionare nuovamente l'interruttore di accensione.
- **Bassa tensione della batteria:**
La capacità residua della batteria è troppo bassa e non consente di utilizzare l'utensile. Se si tira l'interruttore di accensione, il motore si avvia di nuovo ma si ferma subito. In questo caso, rimuovere e ricaricare la batteria.

Azionamento dell'interruttore

⚠ ATTENZIONE:

- Prima di inserire la batteria nell'utensile, controllare se l'interruttore di accensione funziona correttamente e ritorna in posizione "OFF" una volta rilasciato.
- Per avviare l'utensile, è sufficiente tirare l'interruttore di accensione. Rilasciare l'interruttore di accensione per spegnerlo. (Fig. 3)

MONTAGGIO

⚠ ATTENZIONE:

- Prima di eseguire qualsiasi operazione sull'utensile, verificare sempre di averlo spento e di aver rimosso la batteria.

Smaltimento della polvere

⚠ ATTENZIONE:

- Svuotare l'aspiratore prima che si riempia troppo per non affievolire la forza di aspirazione.
- Assicurarsi di svuotare la polvere all'interno dell'aspiratore stesso. In caso contrario il filtro potrebbe intasarsi o il motore potrebbe rimanere danneggiato.

Per rimuovere la polvere rimasta attaccata al filtro nella capsula, battere la circonferenza della capsula stessa con la mano 4 o 5 volte. (Fig. 4)

A questo punto puntare l'ingresso di aspirazione verso il basso, ruotare la capsula nella direzione della freccia nella figura e scollegare la capsula lentamente e in linea retta. (Fig. 5)

NOTA:

- Aprendo la capsula potrebbe fuoriuscire della polvere. Assicurarsi di mantenere la capsula il più possibile in posizione verticale e collocare un sacchetto dell'immondizia sotto la capsula stessa.

Rimuovere la polvere accumulata dall'interno della capsula e dal prefiltro. (Fig. 6)

Ruotare il prefiltro nella direzione della freccia per sganciare la linguetta di sicurezza dall'aspiratore, quindi togliere il prefiltro. (Fig. 7)

Rimuovere la polvere fine dal prefiltra. Rimuovere quindi il filtro e percuotere leggermente per togliere la polvere. (Fig. 8)

Rimontaggio

Per prima cosa, collocare il filtro senza tirarlo indietro. Se il filtro non viene montato correttamente, la polvere penetrerà nell'alloggiamento del motore causando un guasto al motore stesso. Collocare quindi il prefiltra sul filtro. (Fig. 9)

Ruotare la serie di filtri e regolare la posizione delle due linguette di sicurezza sul prefiltra, quindi collegare con le scanalature dell'alloggiamento dell'aspiratore. (Fig. 10) Collegare la capsula seguendo i segni di allineamento sull'impugnatura e sulla capsula stessa, quindi ruotare saldamente la capsula in direzione della freccia fino a che non è fissata. (Fig. 11 e 12)

NOTA:

- Rimuovere sempre prima la polvere: la presenza di troppa polvere nell'aspiratore riduce la potenza aspirante.
- Assicurarsi sempre che il filtro e il prefiltra siano caricati correttamente prima di utilizzare l'aspiratore. Se non sono caricati correttamente, la polvere penetrerà nell'alloggiamento del motore causando un guasto al motore stesso.

USO

⚠ ATTENZIONE:

- Inserire (o estrarre) l'ugello ruotandolo in senso orario. Se ruotato in senso antiorario, la capsula potrebbe allentarsi. (Fig. 13)

Pulizia (Aspirazione)

Ugello (Fig. 14)

Montare l'ugello per pulire tavoli, scrivanie, mobili, ecc. L'ugello scivola con facilità.

Ugello + Prolunga (Tubo dritto) (Fig. 15)

La prolunga va montata tra l'ugello e l'aspiratore stesso. Tale configurazione è comoda per pulire i pavimenti rimanendo in piedi.

Controlli da effettuare prima di chiedere un intervento di riparazione

Sintomo	Area da investigare	Soluzione
Potenza aspirante ridotta	<ul style="list-style-type: none">• La capsula è piena di polvere?• Il filtro è ostruito?	<ul style="list-style-type: none">• Svuotare la capsula della polvere.• Rimuovere la polvere dal filtro oppure lavarlo.
Non funziona	<ul style="list-style-type: none">• La batteria è scarica?	<ul style="list-style-type: none">• Ricaricare la batteria.

010051

NOTA:

- Non tentare di riparare l'aspiratore per conto proprio. Per preservare la SICUREZZA e l'AFFIDABILITÀ del prodotto, qualsiasi riparazione o intervento di manutenzione e regolazione deve essere eseguito dai centri assistenza autorizzati Makita utilizzando sempre ricambi Makita.

Ugello angolare (Fig. 16)

Installare l'ugello angolare per pulire angoli e fessure di auto o mobili.

Ugello angolare + Prolunga (Tubo dritto) (Fig. 17)

In stanze strette dove l'aspiratore stesso non riesce a entrare, o per luoghi elevati difficili da raggiungere, utilizzare questa configurazione.

Pulizia senza ugello (Fig. 18)

È possibile raccogliere le polveri senza ugello.

MANUTENZIONE

⚠ ATTENZIONE:

- Prima di effettuare operazioni di ispezione e manutenzione sull'utensile, verificare sempre di averlo spento.

Pulizia (Fig. 19)

Pulire saltuariamente il corpo dell'aspiratore utilizzando un panno inumidito in acqua saponata.

Pulire anche l'apertura di aspirazione, l'area di montaggio del sacchetto raccogli-polvere/sacchetto polvere e il tappo polvere.

⚠ ATTENZIONE:

- Evitare assolutamente di usare benzina, diluenti, solventi, alcol o sostanze simili. In caso contrario, potrebbero verificarsi scoloriture, deformazioni o incrinature.

Lavare il filtro in acqua saponata quando è ostruito dalla polvere e la potenza dell'aspiratore risulta ridotta.

Asciugarlo completamente prima dell'uso. Un filtro non completamente asciugato potrebbe comportare un'aspirazione ridotta e una vita utile del motore più breve. (Fig. 20)

Non soffiare la polvere che aderisce all'aspiratore con aria compressa. La polvere, penetrando nell'alloggiamento, potrebbe causare un guasto.

ACCESSORI OPZIONALI

⚠ ATTENZIONE:

- Si consiglia l'uso dei seguenti accessori per l'utensile Makita descritto in questo manuale. L'uso di qualsiasi altro accessorio potrebbe provocare lesioni personali. Utilizzare gli accessori esclusivamente per l'uso dichiarato.

Per l'assistenza e per ulteriori informazioni su tali accessori, rivolgersi al centro assistenza Makita di zona.

- Prolunga (tubo dritto)
- Ugello
- Ugello per tappeto
- Spazzola scaffali
- Ugello angolare
- Spazzola circolare
- Tubo flessibile
- Filtro
- Prefiltro
- Batteria e caricabatterie originali Makita

NOTA:

- Alcuni degli accessori elencati potrebbero essere inclusi nella confezione dell'utensile come accessori standard. Gli accessori standard possono differire da paese a paese.

NEDERLANDS (Originele instructies)

WAARSCHUWING: Dit product kan worden gebruikt door kinderen van 8 jaar en ouder en door personen met een verminderd lichamelijk, zintuiglijk of geestelijk vermogen, of gebrek aan kennis en ervaring mits zij onder toezicht staan of instructies hebben gehad over het veilig gebruiken van het product en de gevaren ervan kennen. Kinderen mogen niet spelen met het product. Reinigen en onderhoud door de gebruiker mag niet worden uitgevoerd door kinderen zonder toezicht.

Verklaring van het onderdelenoverzicht

- | | | |
|----------------------|-------------------------|------------------|
| 1. Rode deel | 6. Zuigmond | 11. Handgreep |
| 2. Knop | 7. Voorfilter | 12. Mondstuk |
| 3. Accu | 8. Vergrendelknok | 13. Behuizing |
| 4. Aan-uitschakelaar | 9. Filter | 14. Verlengbuis |
| 5. Filterhuis | 10. Uittlijnmarkeringen | 15. Hoekmondstuk |

TECHNISCHE GEGEVENS

Model	CL183D
Vermogen	600 ml
Ononderbroken gebruik	Ong. 24 min.
Totale lengte	966 mm
Nettogewicht	1,1 kg
Nominale spanning	18 V gelijkstroom

- Als gevolg van ons doorlopende onderzoeks- en ontwikkelingsprogramma, zijn de technische gegevens van dit gereedschap onderhevig aan veranderingen zonder voorafgaande kennisgeving.
- Specificaties en accu's kunnen van land tot land verschillen.
- Gewicht, inclusief de accu, volgens de EPTA-procedure 01/2003

Symbolen

END315-1

Hieronder staan de symbolen die voor het gereedschap worden gebruikt. Zorg ervoor dat u weet wat ze betekenen alvorens de accu te gebruiken.



..... Lees de gebruiksaanwijzing.



Alleen voor EU-landen

Geef elektrisch gereedschap en accu's niet met het huisvuil mee!

Volgens de Europese richtlijn inzake oude elektrische en elektronische apparaten, en inzake batterijen en accu's en oude batterijen en accu's, en de toepassing daarvan binnen de nationale wetgeving, dienen elektrisch gereedschap, accu's en batterijen die het einde van hun levensduur hebben bereikt, gescheiden te worden ingezameld en te worden afgevoerd naar een recyclebedrijf dat voldoet aan de geldende milieu-eisen.

Gebruiksdoelinden

ENE017-1

Het gereedschap is bedoeld om droog stof te verzamelen.

BELANGRIJK

ENA005-5

VEILIGHEIDSINSTRUCTIES

Bij het gebruik van een elektrisch apparaat, moeten basisvoorzorgsmaatregelen altijd worden genomen, waaronder de volgende:

LEES ALLE INSTRUCTIES ALVORENS DIT APPARAAT TE GEBRUIKEN.

WAARSCHUWING - Om de kans op brand of een elektrische schok te verkleinen:

1. **Stel het gereedschap niet bloot aan regen. Bewaar binnenshuis.**
2. **Sta niet toe dat ermee gespeeld wordt. Let goed op bij gebruik in de buurt van kinderen.**
3. **Gebruik uitsluitend zoals beschreven in deze gebruiksaanwijzing. Gebruik uitsluitend hulpstukken aanbevolen door de fabrikant.**
4. **Gebruik nooit met een beschadigde accu. Als het apparaat niet werkt zoals het zou moeten werken, is gevallen, buiten heeft gelegen of in het water is gevallen, stuurt u het terug naar een servicecentrum.**
5. **Hanteer het apparaat niet met natte handen.**

6. Steek geen voorwerpen in de openingen. Gebruik het apparaat niet wanneer een opening verstopt zit, en houd het apparaat vrij van stof, pluizen, haar en alles wat de luchtdoorstroming kan hinderen.
 7. Houd haar, loshangende kleding, vingers en alle lichaamsdelen uit de buurt van de openingen en bewegende delen.
 8. Schakel alle knoppen uit alvorens de accu eraf te halen.
 9. Wees extra voorzichtig bij gebruik op een trap.
 10. Zuig geen ontvlambare of brandbare vloeistoffen, zoals benzine, op en gebruik het niet op plaatsen waar deze aanwezig kunnen zijn.
 11. Gebruik voor het opladen uitsluitend de acculader die door de fabrikant werd geleverd.
 12. Zuig niets op dat brandt of rookt, zoals sigaretten, lucifers of hete as.
 13. Gebruik het apparaat niet zonder dat de filters zijn aangebracht.
 14. Laad de accu niet buitenshuis op.
- Elektrisch gereedschap en onderhoud**
15. Laad alleen op met de acculader aanbevolen door de fabrikant. Een acculader die geschikt is voor een bepaald type accu, kan brandgevaar opleveren indien gebruikt met een ander type accu.
 16. Gebruik het gereedschap uitsluitend met de daarvoor bestemde accu. Als u een andere accu erin gebruikt, kan dit leiden tot persoonlijk letsel of brand.
 17. Als de accu niet wordt gebruikt, houdt u deze uit de buurt van metalen voorwerpen zoals paperclips, muntgeld, sleutels, schroeven en andere kleine metalen voorwerpen die een kortsluiting kunnen veroorzaken tussen de accupolen.
 18. Onder zware gebruiksomstandigheden kan vloeistof uit de accu komen. Voorkom aanraking. Als u deze vloeistof per ongeluk aanraakt, wast u dit goed af met water.

BEWAAR DEZE INSTRUCTIES.

Dit apparaat is bedoeld voor huishoudelijk gebruik.

AANVULLENDE VEILIGHEIDSVORSCHRIFTEN

ENB114-3

1. Lees deze gebruiksaanwijzing en die van de acculader voor gebruik aandachtig door.
2. Zuig de volgende stoffen niet op:
 - Hete stoffen, zoals brandende sigaretten of gloeiend hete metaaldeeltjes veroorzaakt door het schuren/slijpen van metaal
 - Brandbare stoffen, zoals benzine, thinner, wasbenzine, kerosine of verf
 - Explosieve stoffen, zoals nitroglycerine
 - Ontvlambare stoffen, zoals aluminium, zink, magnesium, titanium, fosfor of celluloid
 - Nat vuil, water, olie en dergelijk
 - Harde stukjes met scherpe randen, zoals houtsnippers, metaaldeeltjes, steentjes, glasstukjes, spijkers, punaises of scheermesjes

- Poeder dat klontert, zoals cement of toner
 - Geleidend stof, zoals metaalvijzel of koolstofpoeder
 - Zeer fijne stof, zoals cementpoeder
- Een dergelijk gebruik kan leiden tot brand, persoonlijk letsel en/of materiële schade.
3. Stop onmiddellijk met het gebruik als u iets abnormaals opmerkt.
 4. Als u de stofzuiger laat vallen of ergens tegenaan stoot, controleert u zorgvuldig op barsten of beschadigingen voordat u deze weer gebruikt.
 5. Houd uit de buurt van fornuizen en verwarmingsbronnen.
 6. Blokkeer de inlaatopening en de ventilatieopeningen niet.

BEWAAR DEZE INSTRUCTIES.

BELANGRIJKE VEILIGHEIDSVORSCHRIFTEN ENC009-2

VOOR ACCU'S

1. Alvorens de accu in gebruik te nemen, leest u eerst alle instructies en waarschuwingsopdrachten op (1) de acculader, (2) de accu en (3) het apparaat waarin de accu wordt aangebracht.
2. Haal de accu niet uit elkaar.
3. Als de gebruikstijd aanzienlijk korter is geworden, stopt u onmiddellijk met het gebruik. Anders kan dit leiden tot kans op oververhitting, mogelijke brandwonden en zelfs een explosie.
4. Als de elektrolyt in uw ogen komt, wast u deze uit met schoon water en raadpleegt u onmiddellijk een arts. Dit kan leiden tot verlies van gezichtsvermogen.
5. Sluit de accu niet kort:
 - (1) Raak de accupolen niet aan met enig geleidend materiaal.
 - (2) Bewaar de accu niet op een plaats waar deze in aanraking kan komen met andere metalen voorwerpen, zoals spijkers, munten, enz.
 - (3) Stel de accu niet bloot aan water of regen. Kortsluiting van de accu kan leiden tot een hoge stroomsterkte, oververhitting, mogelijke brandwonden en zelfs een defect.
6. Berg het gereedschap en de accu niet op plaatsen op waar de temperatuur kan oplopen tot 50 °C of hoger.
7. Werp de accu niet in een vuur, zelfs niet als deze al ernstig beschadigd of helemaal versleten is. De accu kan in een vuur exploderen.
8. Wees voorzichtig dat u de accu niet laat vallen of ergens tegenaan stoot.
9. Gebruik nooit een beschadigde accu.
10. Houd u aan de plaatselijke regelgeving aangaande het weggooien van de accu.

BEWAAR DEZE INSTRUCTIES.

Tips voor een lange levensduur van de accu

1. **Laad de accu op voordat deze volledig leeg is. Wanneer u merkt dat het gereedschap minder vermogen heeft, stopt u met het gebruik ervan en laadt u eerst de accu op.**
2. **Laad nooit een volledig opgeladen accu op. Te lang opladen verkort de levensduur van de accu.**
3. **Laad de accu op bij een omgevingstemperatuur van 10 °C t/m 40 °C. Laat een warme accu eerst afkoelen voordat u deze oplaadt.**

BESCHRIJVING VAN DE FUNCTIES

LET OP:

- Zorg ervoor dat het gereedschap is uitgeschakeld en dat de accu is verwijderd voordat u de werking van het gereedschap aanpast of controleert.
- Wees voorzichtig dat uw vingers niet bekneld raken tussen de stofzuiger en de accu, zoals aangegeven in de afbeelding, bij het plaatsen van de accu. Als uw vingers bekneld raken, kan dat letsel veroorzaken (zie **afb. 1**).

De accu aanbrengen en verwijderen (zie **afb. 2**)

LET OP:

- Schakel het gereedschap altijd uit voordat u de accu aanbrengt of verwijdert.
- **Houd het gereedschap en de accu stevig vast tijdens het aanbrengen of verwijderen van de accu.** Als u het gereedschap en de accu niet stevig vasthoudt, kunnen deze uit uw handen glijpen en beschadigd raken, of kan persoonlijk letsel worden veroorzaakt.

Om de accu te verwijderen verschuift u de knop aan de voorkant van de accu en schuift u tegelijkertijd de accu eraf.

Om de accu aan te brengen, lijnt u de lip op de accu uit met de groef in de behuizing en duwt u de accu op zijn plaats. Steek de accu zo ver mogelijk erin tot u een klinkgeluid hoort. Als u het rode deel aan de bovenkant van de knop kunt zien, is de accu niet goed aangebracht.

LET OP:

- Breng de accu altijd helemaal aan totdat het rode deel niet meer zichtbaar is. Als u dit niet doet, kan de accu per ongeluk uit het gereedschap vallen en letsel veroorzaken bij u of anderen in uw omgeving.
- Breng de accu niet met kracht aan. Als de accu niet gemakkelijk erin kan worden geschoven, wordt deze niet goed aangebracht.

Accubeveiligingssysteem

Het gereedschap is uitgerust met een accubeveiligingssysteem. Dit systeem schakelt automatisch de voeding naar de motor uit om de levensduur van de accu te verlengen.

Het gereedschap zal tijdens gebruik automatisch stoppen wanneer het gereedschap en/of de accu zich in een van de volgende omstandigheden bevinden:

- **Overbelasting:**
Het gereedschap wordt gebruikt op een manier die ertoe leidt dat een abnormaal hoge stroomsterkte uit de accu wordt getrokken.
Laat in die situatie de aan-uitschakelaar van het gereedschap los en stop het gebruik dat ertoe leidde dat het gereedschap overbelast raakte. Knijp daarna opnieuw de aan-uitschakelaar in om het gereedschap weer in te schakelen.
Als het gereedschap niet wordt ingeschakeld, is de accu oververhit. In die situatie laat u de accu eerst afkoelen voordat u opnieuw de aan-uitschakelaar inknipt.
- **Lage accuspanning:**
De resterende acculading is te laag en het gereedschap wordt niet ingeschakeld. Als u de aan-uitschakelaar inknipt, draait de motor weer, maar stopt spoedig. Verwijder in die situatie de accu en laad hem op.

Werking van de aan-uitschakelaar

LET OP:

- Controleer altijd, voordat u de accu in het gereedschap steekt, of de aan-uitschakelaar op de juiste manier schakelt en weer terugkeert naar de uit-stand nadat deze is losgelaten.

Om het gereedschap in te schakelen, knijpt u gewoon de aan-uitschakelaar in. Laat de aan-uitschakelaar los om het gereedschap te stoppen (zie **afb. 3**).

DE ONDERDELEN MONTEREN

LET OP:

- Controleer altijd of het gereedschap is uitgeschakeld en de accu is verwijderd alvorens enige werkzaamheden aan het gereedschap te verrichten.

Stof weggooiën

LET OP:

- Leeg de stofzuiger voordat deze te vol raakt omdat dan de zuigkracht afneemt.
- Vergeet niet het stof in de stofzuiger zelf weg te gooien. Als u dit nalaat, kan het filter verstopt raken of de motor beschadigd raken.

Om het stof dat aan het filter in het filterhuis hangt los te maken, tikt u met uw hand 4 of 5 keer tegen de omtrek van het filterhuis (zie **afb. 4**).

Richt de zuigmond nu omlaag, draai het filterhuis in de richting van de pijl aangegeven in de afbeelding en haal het filterhuis er langzaam in een rechte lijn af (zie **afb. 5**).

OPMERKING:

- Tijdens het openen van het filterhuis kan stof gemorst worden. Houd het filterhuis zo verticaal mogelijk en leg een vuilniszak onder het filterhuis.

Verwijder het opgezogen stof uit de binnenkant van het filterhuis en vanaf het voorfilter (zie **afb. 6**).

Verdraai het voorfilter in de richting van de pijl om de vergrendelnok te ontgrendelen van de stofzuiger en trek daarna het voorfilter eraf (zie **afb. 7**).

Reinig het voorfilter van het fijne stof. Verwijder vervolgens het filter en tik er zacht tegen om het stof los te maken (zie afb. 8).

In elkaar zetten

Plaats eerst het filter zonder dat dit opstroomt. Als het filter niet correct wordt geplaatst, kan stof in het motorhuis binnendringen en een motorstoring veroorzaken. Plaats daarna het voorfilter over het filter (zie afb. 9). Draai beide filters en pas de stand van de twee vergrendelknoppen op het voorfilter aan zodat ze in de sleuven van de stofzuigerbehuizing vallen (zie afb. 10). Plaats het filterhuis erop aan de hand van de uitlijnmarkeringen op de handgreep en het filterhuis, en draai het filterhuis in de richting van de pijl tot hij vast zit (zie afb. 11 en 12).

OPMERKING:

- Verwijder het stof altijd op tijd omdat de zuigkracht afneemt als er te veel stof in de stofzuiger zit.
- Controleer altijd of zowel het filter als het voorfilter correct is geplaatst voordat u de stofzuiger gebruikt. Als ze niet correct zijn geplaatst, kan stof in het motorhuis binnendringen en een motorstoring veroorzaken.

BEDIENING

⚠ LET OP:

- Steek het mondstuk erin (of trek het eruit) terwijl u het rechtsom draait. Als u het linksom draait, kan het filterhuis losraken (zie afb. 13).

Schoonmaken (zuigen)

Mondstuk (zie afb. 14)

Bevestig het mondstuk voor het schoonmaken van tafels, bureaus, meubels, enz. Het mondstuk kan eenvoudig worden aangebracht.

Mondstuk + verlengbuis (rechte buis) (zie afb. 15)

De verlengbuis past tussen het mondstuk en de stofzuigermond. Deze werkwijze is handig bij het schoonmaken van de grond terwijl u rechtop staat.

Punten om te controleren voordat u laat repareren

Probleem	Te onderzoeken gebied	Corrigerende handeling
Geringe zuigkracht.	<ul style="list-style-type: none">• Zit het filterhuis vol stof?• Zit het filter verstopt?• Is de accu leeg?	<ul style="list-style-type: none">• Maak het filterhuis leeg.• Klop het filter uit of was het.• Laad de accu op.
Werkt niet.	<ul style="list-style-type: none">• Is de accu leeg?	<ul style="list-style-type: none">• Laad de accu op.

010051

OPMERKING:

• Probeer niet de stofzuiger zelf te repareren. Om de VEILIGHEID en BETROUWBAARHEID van het gereedschap te handhaven, dienen alle reparaties, onderhoud en afstellingen te worden uitgevoerd door een erkend Makita-servicecentrum, en altijd met gebruikmaking van originele Makita- vervangingsonderdelen.

Hoekmondstuk (zie afb. 16)

Bevestig het hoekmondstuk voor het schoonmaken van hoeken en spleten van meubels of in auto's.

Hoekmondstuk + verlengbuis (rechte buis) (zie afb. 17)

In kleine ruimten waar de stofzuiger zelf niet in past, of op hoge plaatsen die moeilijk te bereiken zijn, gebruikt u deze werkwijze.

Stofzuigen zonder mondstuk (zie afb. 18)

U kunt poeder en stof opzuigen zonder mondstuk.

ONDERHOUD

⚠ LET OP:

- Zorg er altijd voor dat het gereedschap is uitgeschakeld voordat u een inspectie of onderhoud uitvoert.

Schoonmaken (zie afb. 19)

Veeg regelmatig de buitenkant (behuizing) van de stofzuiger schoon met een in zeepwater bevochtigde doek.

Maak tevens de stofzuigermond, opening voor de stoffen/papieren stofzak en de stofstopper schoon.

⚠ LET OP:

- Gebruik nooit benzine, wasbenzine, thinner, alcohol, enz. Dit kan leiden tot verkleuren, vervormen of barsten.

Was het filter in zeepwater als deze verstopt zit met stof en de zuigkracht van de stofzuiger sterk is afgenomen. Droog deze goed alvorens weer te gebruiken. Een onvoldoende gedroogd filter kan leiden tot slecht zuigen en kan de levensduur van de motor verkorten (zie afb. 20).

Blaas het stof dat op de stofzuiger zit niet eraf met een luchtspuitbus. Hierdoor komt stof in de behuizing en wordt een storing veroorzaakt.

VERKRIJGBARE ACCESSOIRES

⚠ LET OP:

- Deze accessoires of hulpstukken worden aanbevolen voor gebruik met het Makita-gereedschap dat in deze gebruiksaanwijzing wordt beschreven. Het gebruik van andere accessoires of hulpstukken kan gevaar voor persoonlijk letsel opleveren. Gebruik de accessoires of hulpstukken uitsluitend voor de aangegeven gebruiksdoeleinden.

Mocht u meer informatie willen hebben over deze accessoires, dan kunt u contact opnemen met uw plaatselijke Makita-servicecentrum.

- Verlengbuis (rechte buis)
- Mondstuk
- Mondstuk voor tapijt
- Kastborstel
- Hoekmondstuk
- Ronde borstel
- Flexibele slang
- Filter
- Voorfilter
- Originele Makita-accu en -lader

OPMERKING:

- Sommige items op de lijst kunnen zijn inbegrepen in de doos van het gereedschap als standaard toebehoren. Zij kunnen van land tot land verschillen.

ESPAÑOL (Instrucciones originales)

ADVERTENCIA: Este aparato lo pueden usar niños a partir de 8 años y personas con capacidades físicas, sensoriales o mentales reducidas o con falta de experiencia y conocimientos si han recibido la supervisión o instrucciones sobre el uso del aparato de forma segura y comprenden los peligros existentes. Los niños no deben jugar con el aparato. La limpieza y el mantenimiento del usuario no deben ser realizados por niños sin supervisión.

Explicación de los dibujos

- | | | |
|---------------------------|--------------------------|-----------------------------|
| 1. Indicador rojo | 6. Entrada de succión | 11. Asidero |
| 2. Botón | 7. Filtro previo | 12. Boquilla |
| 3. Cartucho de la batería | 8. Lengüeta de fijación | 13. Cuerpo de la aspiradora |
| 4. Interruptor disparador | 9. Filtro | 14. Accesorio de extensión |
| 5. Cápsula | 10. Marcas de alineación | 15. Boquilla para esquinas |

ESPECIFICACIONES

Modelo	CL183D
Capacidad	600 mL
Uso continuo	Aprox. 24 min.
Longitud total	966 mm
Peso neto	1,1 kg
Tensión nominal	CC 18 V

- Debido a nuestro programa continuo de investigación y desarrollo, las especificaciones aquí descritas están sujetas a cambios sin previo aviso.
- Las especificaciones y el cartucho de la batería pueden variar de un país a otro.
- Peso, con el cartucho de la batería, de acuerdo con el procedimiento EPTA 01/2003

Símbolos

END315-1

Se utilizan los siguientes símbolos para el equipo. Asegúrese de que comprende su significado antes del uso.



..... Lea el manual de instrucciones.



Sólo para países de la Unión Europea

¡No deseche el aparato eléctrico o la batería junto con los residuos domésticos!

De conformidad con la Directiva Europea sobre residuos de aparatos eléctricos y electrónicos, y sobre baterías y acumuladores y el desecho de baterías y acumuladores y su aplicación de acuerdo con la legislación nacional, la herramienta eléctrica y las baterías y paquetes de baterías cuya vida útil haya llegado a su fin se deberán recoger por separado y trasladar a una planta de reciclaje que cumpla con las exigencias ecológicas.

Uso previsto

ENE017-1

La herramienta está diseñada para recoger polvo seco.

IMPORTANTE

ENA005-5

INSTRUCCIONES DE SEGURIDAD

Quando utilice un aparato eléctrico, siempre se deben tomar unas precauciones básicas, entre las que se encuentran:

LEA TODAS LAS INSTRUCCIONES ANTES DE UTILIZAR ESTE APARATO.

ADVERTENCIA - Para reducir el riesgo de incendio, descarga eléctrica o lesiones:

1. **No exponga el aparato a la lluvia. Almacénelo a cubierto.**
2. **No permita que se utilice como un juguete. Se debe prestar especial atención cuando los niños utilicen el aparato o cuando se esté cerca de ellos.**
3. **Solamente se debe utilizar tal y como se especifica en este manual. Solamente se deben utilizar los accesorios recomendados por el fabricante.**
4. **No lo utilice con la batería dañada. Si el aparato no funciona normalmente, se ha caído, se ha dañado, se ha dejado a la intemperie o ha caído al agua, llévelo a un centro de servicio.**
5. **No manipule el aparato con las manos mojadas.**

6. No coloque ningún objeto en las aberturas. No lo utilice con una apertura bloqueada, manténgalo libre de polvo, pelusa, pelo y cualquier cosa que pueda reducir el flujo de aire.
7. Mantenga el pelo, la ropa holgada, los dedos y todas las partes del cuerpo alejadas de las aperturas y las partes en movimiento.
8. Apague todos los controles antes de retirar la batería.
9. Tenga especial cuidado cuando limpie en escaleras.
10. No lo utilice para recoger líquidos combustibles o inflamables, como gasolina, ni lo utilice en áreas en las que puedan estar presentes.
11. Utilice únicamente el cargador suministrado por el fabricante para la recarga.
12. No recoja nada que esté quemándose o que emita humo, como cigarrillos, cerillas o cenizas calientes.
13. No lo utilice sin instalar los filtros.
14. No cargue la batería al aire libre.

Uso y mantenimiento de la herramienta a batería

15. Recárguela solamente con el cargador especificado por el fabricante. Un cargador que es adecuado para un tipo de batería puede crear un riesgo de incendio cuando se usa con otra batería.
16. Utilice las herramientas eléctricas solamente con los paquetes de batería designados. El uso de cualquier otra batería puede crear un riesgo de lesiones e incendio.
17. Cuando no se utilice la batería, manténgala alejada de otros objetos metálicos, como clips de papel, monedas, llaves, clavos, tornillos u otros objetos metálicos pequeños que puedan establecer una conexión entre los terminales.
18. Si no se utiliza correctamente, la batería puede expulsar líquido; evite cualquier contacto con dicho líquido. Si se produce un contacto accidental, enjuague con agua.

GUARDE ESTAS INSTRUCCIONES.

Este aparato se ha diseñado para un uso doméstico.

NORMAS DE SEGURIDAD ADICIONALES

ENB114-3

1. Lea con atención este manual de instrucciones y el manual de instrucciones del cargador antes de su uso.
2. No recoja los siguientes materiales:
 - Materiales calientes, como los cigarrillos encendidos, chispas o polvo de metal que se hayan generado rectificando o cortando metal
 - Materiales inflamables, como gasolina, disolvente, benceno, queroseno o pintura
 - Materiales explosivos como la nitroglicerina
 - Materiales inflamables, como aluminio, zinc, magnesio, titanio, fósforo o celuloide
 - Suciedad húmeda, agua, aceite o líquidos similares

- Fragmentos duros con bordes afilados, como astillas de madera, metales, piedras, cristales, clavos, agujas o cuchillas
 - Polvo para endurecer, como cemento o tóner
 - Polvo conductor, como metal o carbón
 - Partículas finas, como polvo de hormigón
- Tales acciones pueden provocar incendios, lesiones y/o daños en la propiedad.
3. Detenga las operaciones inmediatamente si observa algo fuera de lo normal.
 4. Si deja caer o golpea la aspiradora, compruebe con atención si hay grietas o daños antes del uso.
 5. No acerque el aparato a estufas u otras fuentes de calor.
 6. No bloquee el orificio de entrada o los orificios de ventilación.

GUARDE ESTAS INSTRUCCIONES.

INSTRUCCIONES DE SEGURIDAD IMPORTANTES

ENC009-2

PARA EL CARTUCHO DE LA BATERÍA

1. Antes de utilizar el cartucho de la batería, lea todas las instrucciones y referencias de precaución que se encuentran en (1) el cargador de la batería, (2) la batería y (3) el producto en el que se utiliza la batería.
2. No desmonte el cartucho de la batería.
3. Si el tiempo de funcionamiento es excesivamente corto, deje de utilizar la herramienta de inmediato. De lo contrario, existe el riesgo de sobrecalentamiento, quemaduras e incluso explosión.
4. Si se produce contacto ocular con electrolito, enjuáguese los ojos con agua limpia y acuda de urgencia al médico. Corre el riesgo de perder la visión.
5. No cortocircuite el cartucho de la batería:
 - (1) No toque los terminales con un material conductor.
 - (2) Evite guardar el cartucho de la batería en un recipiente con otros objetos metálicos, como clavos, monedas, etc.
 - (3) No exponga el cartucho de la batería al agua o a la lluvia.

Un cortocircuito puede provocar un elevado flujo de corriente, sobrecalentamiento, quemaduras o incluso una avería.
6. No almacene la herramienta ni el cartucho de la batería en lugares donde la temperatura supere los 50°C (122°F).
7. No queme el cartucho de la batería aunque esté gravemente dañado o completamente gastado. El cartucho de la batería puede explotar si entra en contacto con fuego.
8. Procure que la batería no sufra golpes ni caídas.
9. No utilice una batería dañada.
10. Respete las normas locales relativas al desecho de la batería.

GUARDE ESTAS INSTRUCCIONES.

Consejos para conseguir una mayor duración de la batería

1. **Cargue la batería antes de que se descargue por completo.**
Siempre debe dejar de utilizar la herramienta y cargar el cartucho de la batería cuando observe que tiene menos potencia.
2. **No recargue nunca un cartucho de la batería completamente cargado.**
La sobrecarga acorta la vida útil de la batería.
3. **Cargue el cartucho de la batería a una temperatura ambiente que oscile entre 10°C - 40°C (50°F - 104°F).** Antes de cargar un cartucho de la batería caliente, deje que se enfríe.

DESCRIPCIÓN DEL FUNCIONAMIENTO

⚠ PRECAUCIÓN:

- Antes de ajustar o comprobar la herramienta, asegúrese siempre de que esté apagada y de que el cartucho de la batería se haya extraído.
- Tenga cuidado de que los dedos no queden atrapados entre la aspiradora y la batería tal y como se muestra en el diagrama cuando cargue la batería. Si los dedos quedan atrapados pueden sufrir lesiones. (Fig. 1)

Instalación o extracción del cartucho de la batería (Fig. 2)

⚠ PRECAUCIÓN:

- Apague siempre la herramienta antes de instalar o extraer el cartucho de la batería.
- **Sujete la herramienta y el cartucho de la batería firmemente cuando instale o extraiga el cartucho de la batería.** Si no sujeta la herramienta y el cartucho de la batería firmemente, pueden resbalar de sus manos y se pueden provocar daños en la herramienta y el cartucho de la batería y lesiones personales.

Para quitar el cartucho de la batería, mantenga pulsado el botón de la parte frontal del cartucho y retírelo.

Para instalar el cartucho de la batería, alinee la lengüeta situada en el cartucho de la batería con la ranura del chasis e insértelo. Insértelo completamente hasta que quede firmemente encajado con un clic. Si puede ver el indicador rojo de la zona superior del botón, significa que el cartucho no está encajado completamente.

⚠ PRECAUCIÓN:

- Instale siempre completamente el cartucho de la batería de forma que el indicador rojo quede oculto. De lo contrario, el cartucho puede desprenderse accidentalmente de la herramienta y causar lesiones al operario o a alguna persona que se encuentre cerca.
- No presione excesivamente el cartucho de la batería para instalarlo. Si el cartucho no entra con suavidad, significa que no lo está instalando correctamente.

Sistema de protección de la batería

La herramienta está equipada con un sistema de protección de la batería. Este sistema corta automáticamente la alimentación al motor para ampliar la duración de la batería.

El funcionamiento de la herramienta se detendrá automáticamente si la herramienta y/o la batería están sometidas a las siguientes condiciones:

- **Sobrecarga:**
La herramienta se utiliza de una forma que hace que consuma una cantidad anómalamente alta de corriente.
En ese caso, suelte el interruptor disparador de la herramienta y detenga la aplicación que provocaba que la herramienta se sobrecargara. A continuación, vuelva a accionar el interruptor disparador para reanudar las operaciones.
Si la herramienta no consigue ponerse en marcha, la batería se ha sobrecalentado. En tal caso, deje que la batería se enfríe antes de volver a accionar el interruptor disparador.
- **Tensión de la batería baja:**
La capacidad restante de la batería es demasiado baja y la herramienta no funcionará. Si acciona el interruptor disparador, el motor vuelve a ponerse en marcha pero se detiene al poco rato. En ese caso, extraiga y recargue la batería.

Acción del interruptor

⚠ PRECAUCIÓN:

- Antes de insertar el cartucho de la batería en la herramienta, asegúrese siempre de que el interruptor disparador funciona como es debido y que vuelve a la posición "OFF" (apagado) al soltarlo.

Para poner en marcha la herramienta, simplemente accione el interruptor disparador. Suelte el interruptor disparador para detener la herramienta. (Fig. 3)

MONTAJE

⚠ PRECAUCIÓN:

- Asegúrese siempre de apagar la herramienta y extraer el cartucho de la batería antes de intentar realizar cualquier tipo de operación en la herramienta.

Desecho del polvo

⚠ PRECAUCIÓN:

- Vacíe la aspiradora antes de que se llene demasiado, ya que, en caso contrario, se pierde potencia de succión.
- Asegúrese de vaciar el polvo de dentro de la aspiradora. De lo contrario, el filtro se puede obstruir o el motor se puede dañar.

Para desprender la suciedad adherida al filtro de la cápsula, golpee suavemente la circunferencia de la cápsula 4 o 5 veces con su mano. (Fig. 4)

Ahora, apunte la entrada de succión hacia abajo, gire la cápsula en la dirección de la flecha del diagrama y desconecte la cápsula lentamente y en línea recta. (Fig. 5)

NOTA:

- Puede derramarse suciedad al abrir la cápsula. Asegúrese de mantener la cápsula tan vertical como sea posible y coloque una bolsa de basura debajo de la cápsula.

Retire el polvo acumulado del interior de la cápsula y del filtro previo. (Fig. 6)

Gire el filtro previo en la dirección de la flecha para liberar la lengüeta de fijación de la unidad aspiradora y después extraiga el filtro previo. (Fig. 7)

Limpie el polvo fino del filtro previo. A continuación, reintere el filtro y golpee suavemente para desprender el polvo. (Fig. 8)

Montaje

En primer lugar, coloque el filtro sin tirar de él hacia atrás. Si el filtro se coloca incorrectamente, entrará polvo en el alojamiento del motor y provocará un fallo del motor. En segundo lugar, coloque el filtro previo sobre el filtro.

(Fig. 9)

Gire el conjunto de filtros y ajuste la posición de las dos lengüetas de fijación sobre el filtro previo y conéctelo con las canaletas de la carcasa de la aspiradora. (Fig. 10)

Conecte la cápsula, de acuerdo con las marcas de alineación en el asidero y la cápsula y gire firmemente la cápsula en la dirección de la flecha hasta que quede fija. (Fig. 11 y 12)

NOTA:

- Retire siempre con antelación el polvo, ya que la potencia de succión se reducirá si hay demasiado polvo en la aspiradora.
- Asegúrese siempre de comprobar que el filtro y el filtro previo se carguen correctamente antes de utilizar la aspiradora. Si no se cargan correctamente, entrará polvo en el alojamiento del motor y se provocará un fallo del motor.

FUNCIONAMIENTO

⚠ PRECAUCIÓN:

- Inserte (o extraiga) la boquilla mientras la gira en el sentido de las agujas del reloj. Si se gira en el sentido contrario a las agujas del reloj, la cápsula puede quedar floja. (Fig. 13)

Aspectos que se deben comprobar antes de solicitar reparaciones

Síntoma	Área que se debe investigar	Solución
Potencia de succión débil	<ul style="list-style-type: none">• ¿La cápsula está llena de polvo?• ¿El filtro está obstruido?• ¿La batería está agotada?	<ul style="list-style-type: none">• Vacíe el polvo de la cápsula.• Retire el polvo del filtro o lávelo.• Recargue la batería.
No funciona	<ul style="list-style-type: none">• ¿La batería está agotada?	<ul style="list-style-type: none">• Recargue la batería.

010051

NOTA:

- No intente reparar la aspiradora usted mismo. Para mantener la SEGURIDAD y la FIABILIDAD del producto, las reparaciones y cualquier otra tarea de mantenimiento o ajuste deberán ser realizadas en centros

Limpieza (Succión)

Boquilla (Fig. 14)

Accople la boquilla para limpiar mesas, sillas, muebles, etc. La boquilla se desliza fácilmente.

Boquilla + accesorio de extensión (tubo recto) (Fig. 15)

El accesorio de extensión se encaja entre la boquilla y la aspiradora misma. Esta disposición es útil para limpiar el suelo mientras se permanece erguido.

Boquilla para esquinas (Fig. 16)

Monte la boquilla para esquinas para limpiar esquinas y espacios estrechos de un vehículo o un mueble.

Boquilla para esquinas + accesorio de extensión (tubo recto) (Fig. 17)

En lugares estrechos, en los que la aspiradora no cabe o en lugares altos de difícil acceso, utilice esta disposición.

Aspirado sin boquilla (Fig. 18)

Puede recoger polvo y cenizas sin la boquilla.

MANTENIMIENTO

⚠ PRECAUCIÓN:

- Asegúrese siempre de que la herramienta esté apagada antes de intentar realizar cualquier trabajo de inspección o mantenimiento en ella.

Limpieza (Fig. 19)

Limpie de vez en cuando la parte externa (cuerpo de la aspiradora) de la aspiradora con un paño humedecido en agua con jabón.

Limpie también la abertura de succión, el área de montaje del paquete o la bolsa de polvo y el tope del polvo.

⚠ PRECAUCIÓN:

- Nunca utilice gasolina, benceno, disolvente, alcohol o un producto similar. Se puede provocar una decoloración, una deformación o grietas.

Lave el filtro con agua jabonosa cuando esté obstruido por el polvo y la potencia de la aspiradora se reduzca. Séquela minuciosamente antes del uso. Un filtro con un secado insuficiente puede provocar una succión deficiente y acortar la vida de servicio del motor. (Fig. 20) No sople el polvo adherido a la aspiradora mediante un soplador de aire. Introducirá polvo en la carcasa y provocará fallos.

de servicio autorizados por Makita, utilizando siempre repuestos Makita.

ACCESORIOS OPCIONALES

PRECAUCIÓN:

- Se recomienda el uso de estos accesorios o complementos con la herramienta Makita especificada en este manual. El uso de otros accesorios o complementos puede conllevar el riesgo de ocasionar daños corporales. Utilice los accesorios o complementos solamente para su fin establecido.

Si necesita cualquier ayuda para obtener más información relativa a estos accesorios, pregunte a su centro de servicio Makita local.

- Accesorio de extensión (tubo recto)
- Boquilla
- Boquilla para alfombras
- Boquilla para estanterías
- Boquilla para esquinas
- Cepillo redondo
- Manguera flexible
- Filtro
- Filtro previo
- Batería y cargador originales de Makita

NOTA:

- Algunos elementos de la lista se pueden incluir en el paquete de la herramienta como accesorios estándar. Pueden ser diferentes de un país a otro.

PORTUGUÊS (Instruções de origem)

AVISO: Este aparelho pode ser utilizado por crianças a partir dos 8 anos de idade e pessoas com capacidades físicas, sensoriais ou mentais reduzidas ou falta de experiência e conhecimento desde que disponham de supervisão ou instrução relativamente à utilização segura do aparelho e compreendam os perigos envolvidos. As crianças não devem brincar com o aparelho. A limpeza e a manutenção não devem ser efetuadas por crianças sem supervisão.

Descrição geral

- | | | |
|-----------------------|---------------------------|------------------------------|
| 1. Indicador vermelho | 6. Entrada de aspiração | 11. Pega |
| 2. Botão | 7. Pré-filtro | 12. Bocal |
| 3. Bateria | 8. Flange de fixação | 13. Corpo do aspirador de pó |
| 4. Gatilho | 9. Filtro | 14. Acessório de extensão |
| 5. Cápsula | 10. Marcas de alinhamento | 15. Bocal para cantos |

ESPECIFICAÇÕES

Modelo	CL183D
Capacidade	600 mL
Utilização contínua	Aprox. 24 min.
Comprimento total	966 mm
Peso líquido	1,1 kg
Tensão nominal	C.C. 18 V

- Devido à pesquisa e desenvolvimento constantes, estas especificações estão sujeitas a alteração sem aviso prévio.
- As especificações e o cartucho da bateria podem ser diferentes consoante o país.
- Peso, com a bateria, de acordo com o procedimento EPTA de 01/2003

Símbolos

END315-1

Descrição dos símbolos utilizados no equipamento.

Certifique-se de que compreende os seus significados, antes da utilização.



..... Leia o manual de instruções.



Apenas para países da UE
Não deite equipamentos eléctricos ou a
bateria no lixo doméstico!

De acordo com as directivas europeias sobre ferramentas eléctricas e electrónicas usadas e baterias, acumuladores e baterias usadas e a sua aplicação em conformidade com as leis nacionais, as ferramentas eléctricas, as baterias e conjuntos usados devem ser recolhidos em separado e encaminhados para uma instalação de reciclagem dos materiais ecológicos.

Utilização prevista

ENE017-1

A ferramenta destina-se a recolher pó seco.

IMPORTANTE

ENA005-5

INSTRUÇÕES DE SEGURANÇA

Ao utilizar um aparelho eletrodoméstico, devem ser sempre cumpridas as precauções básicas, incluindo:

LEIA TODAS AS INSTRUÇÕES ANTES DE UTILIZAR ESTE APARELHO.

AVISO - Para reduzir o risco de incêndios, choques eléctricos ou ferimentos:

1. Não exponha a extensão à chuva. Guarde no interior.
2. Não permita que seja utilizado como um brinquedo. É necessário ter muito cuidado quando utilizado por ou próximo de crianças.
3. Utilize apenas conforme descrito neste manual. Utilize apenas os acessórios recomendados pelo fabricante.
4. Não utilize com uma bateria danificada. Se o aparelho não estiver a funcionar corretamente, tiver caído, danificado, deixado no exterior ou mergulhado em água, devolva-o a um centro de assistência.
5. Não o manuseie com as mãos molhadas.

6. Não coloque objetos nas aberturas. Não utilize com uma abertura obstruída; mantenha isento de pó, algodão, cabelo e qualquer coisa que possa reduzir o caudal de ar.
7. Mantenha o cabelo, a roupa larga, os dedos e todas as partes do corpo afastados das aberturas e peças móveis.
8. Desative todos os comandos antes de remover a bateria.
9. Tenha muito cuidado ao limpar em escadas.
10. Não utilize para aspirar líquidos inflamáveis ou combustíveis, como gasolina nem utilize em áreas onde possam existir.
11. Utilize apenas o carregador fornecido pelo fabricante para recarregar.
12. Não aspire nada que esteja a arder ou a deitar fumo, como cigarros, fósforos ou cinzas quentes.
13. Não utilize sem os filtros instalados.
14. Não carregue a bateria no exterior.

Utilização e manutenção da ferramenta com bateria

15. Recarregue apenas com o carregador especificado pelo fabricante. Um carregador adequado para um tipo de bateria pode criar um risco de incêndio quando utilizado com outra bateria.
16. Utilize ferramentas elétricas apenas com baterias especificamente concebidas. A utilização de qualquer outra bateria pode criar um risco de ferimentos e incêndios.
17. Quando a bateria não estiver a ser utilizada, mantenha-a afastada de objetos metálicos como, por exemplo, cliques, moedas, chaves, pregos, parafusos ou outros pequenos objetos metálicos que possam fazer a ligação entre terminais.
18. Sob condições abusivas, poderá ser ejetado líquido da bateria; evite o contacto. Se ocorrer acidentalmente um contacto, lave com água.

GUARDE ESTAS INSTRUÇÕES.

Este aparelho destina-se a utilização doméstica.

REGRAS DE SEGURANÇA ADICIONAIS

ENB114-3

1. Leia atentamente este manual de instruções e o manual de instruções do carregador antes da utilização.
2. Não aspire os materiais seguintes:
 - Materiais quentes como cigarros acesos ou faíscas/limalhas geradas ao retificar/cortar metal
 - Materiais inflamáveis como gasolina, diluente, benzina, querosene ou tinta
 - Materiais explosivos como nitroglicerina
 - Materiais inflamáveis como alumínio, zinco, magnésio, titânio, fósforo ou celulose
 - Sujidade húmida, água, óleo ou algo semelhante
 - Peças rígidas com extremidades pontiagudas, como aparas de madeira, metais, pedras, vidros, pregos, alfinetes ou lâminas
 - Pós como cimento ou toner
 - Pó condutor como metal ou carbono
 - Partículas finas como pó de cimento
 Essa ação pode causar incêndios, ferimentos e/ou danos materiais.

3. Interrompa imediatamente a utilização da ferramenta caso note algo de anormal.
4. Se deixar cair ou atingir o aspirador de pó, inspecione-o cuidadosamente por fissuras ou danos antes da utilização.
5. Não aproxime de fornos ou de outras fontes de calor.
6. Não bloqueie o orifício de entrada ou os orifícios de ventilação.

GUARDE ESTAS INSTRUÇÕES.

INSTRUÇÕES DE SEGURANÇA IMPORTANTES

ENC009-2

RELATIVAS À BATERIA

1. Antes de utilizar a bateria, leia as instruções e chamadas de atenção de: (1) o carregador da bateria, (2) a bateria e (3) o produto que utiliza a bateria.
2. Não desmonte a bateria.
3. Se o tempo de utilização com a bateria se tornar demasiado curto, deve parar imediatamente. Se continuar, pode causar sobreaquecimento, incêndio e mesmo explosão.
4. Se o electrólito entrar em contacto com os olhos, enxágue-os com água limpa e consulte imediatamente um médico. Os riscos incluem perda de visão.
5. Não provoque um curto-circuito na bateria:
 - (1) Não deixe que quaisquer materiais condutores entrem em contacto com os terminais da bateria.
 - (2) Evite guardar a bateria juntamente com outros objectos de metal como moedas, por exemplo.
 - (3) Não exponha a bateria a água ou chuva. Um curto-circuito na bateria pode criar uma grande carga eléctrica, sobreaquecimento, fogo e uma quebra da corrente.
6. Não guarde a ferramenta e a bateria em locais onde a temperatura possa atingir ou exceder 50°C.
7. Não incinere a bateria, nem mesmo se esta estiver irremediavelmente danificada ou completamente gasta. Pode explodir e causar um incêndio.
8. Não a deixe cair e evite o choque com outros objectos.
9. Não utilize uma bateria danificada.
10. Siga os regulamentos locais relativamente à eliminação da bateria.

GUARDE ESTAS INSTRUÇÕES.

Sugestões para o máximo de tempo de vida da bateria

1. Não espere que a bateria se gaste completamente para voltar a carregá-la. Pare a ferramenta e carregue a bateria sempre que detectar um baixo nível de energia.
2. Nunca volte a carregar uma bateria já completamente carregada.

O carregamento excessivo diminui o tempo de vida das baterias.

3. **Carregue a bateria a uma temperatura ambiente de 10°C - 40°C. Se a bateria estiver quente, deixe-a arrefecer antes de iniciar o carregamento.**

DESCRIÇÃO DO FUNCIONAMENTO

⚠️ PRECAUÇÃO:

- Certifique-se sempre de que a ferramenta está desligada e que a bateria foi removida antes de proceder a ajustes ou testar acessórios.
- Tenha cuidado para não ficar com os dedos presos entre o aspirador de pó e a bateria, conforme mostrado no diagrama, ao colocar a bateria. Pode causar ferimentos. (Fig. 1)

Instalar ou retirar a bateria (Fig. 2)

⚠️ PRECAUÇÃO:

- Desligue sempre a ferramenta antes de instalar ou retirar a bateria.
- **Segure bem a ferramenta e a bateria ao instalar ou retirar a bateria.** Se não segurar bem a ferramenta e a bateria, pode fazer com que caiam das mãos e provoquem danos na ferramenta e na bateria e ferimentos pessoais.

Para retirar a bateria, mantenha premido o botão na frente da bateria e puxe.

Para instalar a bateria, alinhe a respetiva saliência com a calha do compartimento e encaixe-a suavemente. Insira-a completamente até fixar em posição com um clique. Se ainda estiver visível o indicador vermelho na parte superior do botão, não estará bem encaixado.

⚠️ PRECAUÇÃO:

- Instale sempre a bateria completamente, até deixar de ver o indicador vermelho. Caso contrário, pode cair da ferramenta e causar ferimentos em si, ou em alguém que esteja perto de si.
- Não instale a bateria forçosamente. Se não encaixar facilmente é porque não está corretamente posicionada.

Sistema de proteção da bateria

A ferramenta está equipada com um sistema de proteção da bateria. Este sistema corta automaticamente a alimentação para prolongar a vida útil da bateria.

A ferramenta para automaticamente durante o funcionamento quando a ferramenta e/ou bateria são colocadas numa das condições seguintes:

- **Sobrecarregada:**
A ferramenta é utilizada de tal forma que atrai uma corrente involuntariamente alta. Nesta situação, solte o gatilho da ferramenta e pare a aplicação que causou a sobrecarga. De seguida, prima novamente o gatilho para reiniciar. Se a ferramenta não ligar, a bateria está sobreaquecida. Nesta situação, deixe a bateria arrefecer antes de premir novamente o gatilho.
- **Tensão baixa da bateria:**
A carga restante da bateria é demasiado baixa e a ferramenta não funciona. Se premir o gatilho, o motor

liga novamente mas para após pouco tempo. Nesta situação, retire e recarregue a bateria.

Ação do interruptor

⚠️ PRECAUÇÃO:

- Antes de inserir a bateria na ferramenta, verifique se o gatilho está a funcionar corretamente e se regressa à posição "OFF" quando o solta.

Para pôr a ferramenta a funcionar, prima o gatilho. Para parar a ferramenta, solte o gatilho. (Fig. 3)

MONTAGEM

⚠️ PRECAUÇÃO:

- Certifique-se sempre de que a ferramenta está desligada e a bateria removida, antes de efetuar qualquer operação na ferramenta.

Eliminação do pó

⚠️ PRECAUÇÃO:

- Esvazie o aspirador de pó antes que fique cheio, caso contrário a força de aspiração diminuirá.
- Certifique-se de que esvazia o pó no interior do aspirador de pó. Caso contrário, pode fazer com que o filtro fique obstruído ou o motor danificado.

De modo a remover o pó no filtro na cápsula, bata na circunferência da cápsula 4 ou 5 vezes com a mão.

(Fig. 4)

Depois, aponte a entrada de aspiração para baixo, rode a cápsula no sentido da seta no diagrama e retire a cápsula lentamente e a direito. (Fig. 5)

NOTA:

- Ao abrir a cápsula pode cair pó. Mantenha a cápsula o mais possível na vertical e coloque um saco do lixo por baixo.

Remova o pó acumulado do interior da cápsula e do pré-filtro. (Fig. 6)

Rode o pré-filtro no sentido da seta para desencaixar a flange de fixação do aspirador de pó e, de seguida, retire o pré-filtro. (Fig. 7)

Limpe o pó do pré-filtro. De seguida, retire o filtro e bata suavemente para remover o pó. (Fig. 8)

Montagem

Primeiro, coloque o filtro sem estar descolado. Se o filtro for instalado incorretamente, o pó vai entrar na caixa do motor e causar avarias no mesmo. Segundo, coloque o pré-filtro sobre o filtro. (Fig. 9)

Rode o conjunto dos filtros e ajuste a posição das duas flanges de fixação no pré-filtro e ligue às calhas da caixa do aspirador de pó. (Fig. 10)

Ligue a cápsula, em conformidade com as marcas de alinhamento na pega e na cápsula, rode firmemente a cápsula no sentido da seta até fixar. (Fig. 11 e 12)

NOTA:

- Retire sempre o pó antecipadamente, uma vez que a potência de aspiração será reduzida se houver demasiado pó no aspirador de pó.
- Certifique-se de que o filtro e o pré-filtro estão bem instalados antes de utilizar o aspirador de pó. Se não forem instalados corretamente, o pó vai entrar na caixa do motor e causar avarias no mesmo.

FUNCIONAMENTO

PRECAUÇÃO:

- Introduza (ou extraia) o bocal sem o rodar no sentido dos ponteiros do relógio. Se rodar no sentido contrário ao dos ponteiros do relógio, a cápsula pode ficar solta. (Fig. 13)

Limpeza (Aspiração)

Bocal (Fig. 14)

Instale o bocal para limpar mesas, secretárias, mobília, etc. O bocal encaixa facilmente.

Bocal + Acessório de extensão (Tubo a direito) (Fig. 15)

O acessório de extensão encaixa entre o bocal e o próprio aspirador de pó. Esta combinação é conveniente para limpar um piso enquanto está de pé.

Bocal para cantos (Fig. 16)

Encaixe o bocal para cantos para limpar cantos e fendas de um carro ou mobília.

Bocal para cantos + Acessório de extensão (Tubo a direito) (Fig. 17)

Em espaços apertados, onde o aspirador de pó não consegue aceder ou em locais de acesso difícil, use esta combinação.

Aspetos a verificar antes de solicitar reparações

Sintoma	Área a investigar	Método de reparação
Fraca potência de aspiração	<ul style="list-style-type: none">• A cápsula está cheia de pó?• O filtro está obstruído?• A bateria está esgotada?	<ul style="list-style-type: none">• Esvazie a cápsula.• Retire o pó ou lave o filtro.• Recarregue a bateria.
Não funciona	<ul style="list-style-type: none">• A bateria está esgotada?	<ul style="list-style-type: none">• Recarregue a bateria.

010051

NOTA:

• Não tente reparar o aspirador de pó sozinho. Para manter os níveis de SEGURANÇA e FIABILIDADE definidos para este produto, as reparações e os procedimentos de manutenção ou ajustes devem ser executados por centros de assistência Makita autorizados, utilizando sempre peças de substituição Makita.

ACESSÓRIOS OPCIONAIS

PRECAUÇÃO:

- Os seguintes acessórios ou extensões são os recomendados para utilizar com a ferramenta Makita especificada neste manual. A utilização de quaisquer outros acessórios poderá representar um risco de ferimento para as pessoas. Apenas utilize o acessório para o fim indicado.

Se precisar de informações adicionais relativas aos acessórios, contacte o centro local de assistência Makita.

- Acessório de extensão (Tubo a direito)
- Bocal
- Bocal para tapetes
- Escova para prateleiras

Limpeza sem bocal (Fig. 18)

Pode recolher pó sem o bocal.

MANUTENÇÃO

PRECAUÇÃO:

- Certifique-se sempre de que a ferramenta está desligada antes de inspeccionar ou fazer a manutenção da ferramenta.

Limpeza (Fig. 19)

Ocasionalmente, limpe a parte exterior (corpo do aspirador de pó) utilizando um pano humedecido em água com sabão.

Limpe a abertura de aspiração, área de montagem do saco de pó/embalagem de pó e o batente de pó.

PRECAUÇÃO:

- Nunca utilize gasolina, benzina, diluente, álcool ou semelhante. Podem formar-se descolorações, deformações ou fissuras.

Lave o filtro em água com sabão quando está obstruído com pó e a potência do aspirador de pó é reduzida.

Seque-o bem antes de utilizar. Um filtro seco incorretamente pode causar uma aspiração fraca e encurtar a vida útil do motor. (Fig. 20)

Não utilize uma pistola de ar para limpar o pó no aspirador de pó. Direciona o pó para a caixa e causa avarias.

- Bocal para cantos
- Escova redonda
- Tubo flexível
- Filtro
- Pré-filtro
- Bateria e carregador Makita genuínos

NOTA:

- Alguns itens na lista podem estar incluídos no pacote de ferramentas como acessórios de série. Podem diferir de país para país.

DANSK (Originalvejledning)

ADVARSEL: Dette apparat kan anvendes af børn fra 8 år og op samt personer med reducerede fysiske, sensoriske eller mentale evner, eller med manglende erfaring og viden, hvis de er under opsyn eller instrueres i brugen af apparatet på en sikker måde og forstår de risici, der er involveret. Børn må ikke lege med apparatet. Rengøring og brugervedligeholdelse må ikke udføres af børn uden overvågning.

Forklaring til generel oversigt

- | | | |
|--------------------|-----------------------|----------------------|
| 1. Rød indikator | 6. Sugeåbning | 11. Håndtag |
| 2. Knap | 7. Forfilter | 12. Mundstykke |
| 3. Batteripakke | 8. Fastgørelseskant | 13. Støvsugerdel |
| 4. Afbryderkontakt | 9. Filter | 14. Forlængerrør |
| 5. Beholder | 10. Indretningsmærker | 15. Hjørnemundstykke |

SPECIFIKATIONER

Model	CL183D
Kapacitet	600 ml
Kontinuerlig brug	Ca. 24 min.
Længde i alt	966 mm
Nettovægt	1,1 kg
Nominal spænding	18 V jævnstrøm

- På grund af vores løbende forsknings- og udviklingsprogram kan specifikationer heri ændres uden forudgående varsel.
- Specifikationer og batteripakken kan variere fra land til land.
- Vægt, inklusive batteripakken, i henhold til EPTA-Procedure 01/2003

Symboler

END315-1

Her vises de symboler, der benyttes til udstyret. Vær sikker på, at du forstår deres betydning, før du bruger udstyret.



..... Læs brugsanvisningen.



..... Kun for EU-lande

Elektrisk udstyr eller batteripakke må ikke bortskaffes sammen med almindeligt affald!

I henhold til det europæiske direktiv om bortskaffelse af elektriske og elektroniske produkter og om batterier og akkumulatører og deres implementering under gældende national lovgivning skal brugt elektrisk udstyr, batterier og batteripakke(r), der har udtjent deres levetid, indsamles separat og returneres til miljøgodkendt genindvinding.

Tilsløbet brug

ENE017-1

Maskinen er beregnet til opsamling af tørt støv.

VIGTIGT

ENA005-5

SIKKERHEDSANVISNINGER

Når du anvender et elektrisk apparat, er der nogle grundlæggende forholdsregler, som altid skal overholdes inklusive følgende:

LÆS ALLE INSTRUKTIONER INDEN BRUG AF DETTE APPARAT.

ADVARSEL - For at reducere risikoen for brand, elektrisk stød eller tilskadekomst:

1. Udsæt den ikke for regn. Skal opbevares inden døre.
2. Må ikke anvendes som et legetøj. Fuldstændig opmærksomhed er nødvendig ved brug af eller i nærheden af børn.
3. Brug kun som beskrevet i denne brugsanvisning. Brug kun producentens anbefalede tilbehør.
4. Må ikke bruges med et beskadiget batteri. Hvis apparatet ikke fungerer som det skal, er blevet tabt, beskadiget, efterladt udenfor, eller tabt ned i vand, skal det returneres til et servicecenter.
5. Håndtør ikke apparatet med våde hænder.
6. Sæt ikke nogen objekter ind i åbningerne. Må ikke bruges med en blokeret åbning. Skal holdes fri for

- støv, fnuller, hår og alt der eventuelt kan reducere luftstrømmen.
7. Hold hår, løst tøj, fingre og alle kroppsdele væk fra åbninger og bevægelige dele.
 8. Sluk på alle knapper inden batteriet fjernes.
 9. Vær ekstra forsigtig ved rengøring på trapper.
 10. Må ikke bruges til opsamling af letantændelige eller brændbare væsker som f.eks. benzin, eller til brug i områder hvor de kan være til stede.
 11. Brug kun den oplader, som følger med fra producenten, til opladning.
 12. Opsaml ikke noget der brænder eller ryger, som f.eks. cigaretter, tændstikker eller varm aske.
 13. Må ikke bruges uden filtrene er på plads.
 14. Oplad ikke batteriet udendørs.
- Brug og behandling af batteridrevet værktøj
15. Genoplad kun med den oplader, der er specificeret af producenten. En oplader, der passer til én type batteripakke, kan medføre risiko for brand, hvis den anvendes med en anden batteripakke.
 16. Anvend kun maskiner sammen med særligt designerede batteripakker. Brug af andre batteripakker kan muligvis medføre en risiko for personskader og brand.
 17. Når batteripakke(n) ikke er i brug, skal den holdes væk fra andre metalgenstande som f.eks. papirclips, mønter, søm, skruer eller andre små metalgenstande, som kan forbinde den ene terminal med den anden.
 18. Ved forkert behandling kan der sive væske ud fra batteriet; undgå kontakt. Hvis der opstår utilsigtet kontakt, skal du skylle med vand.

GEM DISSE INSTRUKTIONER.

Dette apparat er beregnet til husholdningsbrug.

YDERLIGERE SIKKERHEDSREGLER

ENB114-3

1. Læs denne brugsanvisning og brugsanvisningen til opladeren omhyggeligt igennem inden brug.
2. Opsaml ikke de følgende materialer:
 - Varme materialer som tændte cigaretter eller gnister/metalstøv fra slibning af/skæring i metal
 - Letantændelige materialer som f.eks. benzin, fortynder, rensbenzin, petroleum eller maling
 - Eksplosive materialer som nitroglycerin
 - Antændelige materialer som aluminium, zink, magnesium, titanium, fosfor eller celluloid
 - Vådt snavs, vand, olie eller lignende
 - Hårde emner med skarpe kanter som træspåner, metaller, sten, glas, søm, knappenål eller barberblade
 - Pulver som kan størkne som f.eks. cement eller toner
 - Strømlerende støv som f.eks. metal eller kulstof
 - Fine partikler som betonstøv
 Sådanne handlinger kan muligvis medføre ild, tilskadecomst og/eller materielle skader.
3. Afbryd straks arbejdet, hvis du bemærker noget unormalt under brugen.

4. Hvis du taber eller rammer ind i støvsugerens, skal den omhyggeligt ses efter for revner eller beskadigelse inden anvendelse.
5. Må ikke komme i nærheden af komfurer eller andre varmekilder.
6. Bloker ikke luftindtagshullet eller udluftningshullerne.

GEM DISSE INSTRUKTIONER.

VIGTIGE SIKKERHEDSINSTRUKTIONER

ENC009-2

FOR BATTERIPAKKEN

1. Før brugen af batteripakken skal du læse alle instruktioner og advarsler på (1) batteriopladeren, (2) batteriet og (3) det produkt, som batteriet anvendes i.
2. Skil ikke batteripakken ad.
3. Hvis driftstiden bliver betydeligt kortere, skal brugen straks ophøre. Fortsat brug kan medføre risiko for overophedning, risiko for forbrændinger eller endog eksplosion.
4. Hvis du får elektrolyt i øjnene, skal du med det samme rense øjnene med rent vand og søge læge. Det kan medføre tab af synet.
5. Kortslut ikke batteripakken:
 - (1) Undgå at røre ved terminalerne med ledende materiale.
 - (2) Undgå at opbevare batteripakken i en beholder med andre metalgenstande som f.eks. søm, mønter osv.
 - (3) Udsæt ikke batteripakken for vand eller regn. Hvis batteriet kortsluttes, kan det medføre voldsom strøm, overophedning, mulige forbrændinger og endog nedbrud.
6. Undgå at opbevare maskinen og batteripakken på steder, hvor temperaturen kan komme op på eller overstige 50°C.
7. Sæt ikke ild til batteripakken, selvom den er alvorligt beskadiget eller helt udtjent. Batteripakken kan eksplodere ved brand.
8. Undgå at tabe eller slå på batteriet.
9. Undlad brug af et beskadiget batteri.
10. Overhold de lokale bestemmelser med hensyn til bortskaffelse af batteri.

GEM DISSE INSTRUKTIONER.

Tips til, hvordan du forlænger batteriets levetid

1. Oplad batteripakken, før den bliver helt afladet. Ophør med at bruge maskinen, og udsift batteripakken, hvis strømmen til maskinen aftager.
2. Oplad aldrig en fuldt opladet batteripakke. Overopladning forkorter batteriets levetid.
3. Oplad batteripakken ved stuetemperatur på 10°C - 40°C. Lad batteripakken køle ned før den oplades, hvis den er varm.

FUNKTIONSBESKRIVELSE

FORSIGTIG:

- Sørg altid for, at maskinen er slukket, og at batteripakken er taget ud, før du justerer maskinen eller kontrollerer dens funktion.
- Pas på du ikke får fingrene i klemme mellem støvsugeren og batteriet som vist på figuren, når batteriet sættes i. Kommer fingrene i klemme, kan du komme til skade. (Fig. 1)

Montering eller afmontering af batteripakke (Fig. 2)

FORSIGTIG:

- Sluk altid for maskinen inden montering eller afmontering af batteripakken.
- **Hold godt fast i maskinen og batteripakken, når du monterer eller afmonterer batteripakken.** Hvis maskinen og batteripakken ikke holdes ordentligt fast, kan de glide ud af hænderne og resultere i skader på maskinen og batteripakken samt personskaade.

Afmonter batteripakken ved at holde ned på knappen foran på batteripakken og skubbe den af maskinen.

Monter batteripakken ved at justere tungen på batteripakken ind med rillen i huset, og skub den ind på pladsen. Sæt den hele vejen ind, indtil den låses på plads med et lille klik. Hvis den røde indikator øverst på knappen er synlig, er batteripakken ikke låst helt fast.

FORSIGTIG:

- Sæt altid batteripakken helt ind, indtil den røde indikator ikke længere er synlig. Ellers kan den falde ud af maskinen og skade dig eller andre personer i nærheden.
- Anvend ikke kræfter ved monteringen af batteripakken. Hvis den ikke glider let ind, er den ikke indsat korrekt.

Batteribeskyttelsessystem

Maskinen er udstyret med et batteribeskyttelsessystem. Dette system slukker automatisk for strømmen til motoren for at forlænge batterilevetiden.

Maskinen stopper automatisk under anvendelsen, hvis maskinen og/eller batteriet udsættes for en af de følgende situationer:

• Overbelastning:

Maskinen anvendes på en sådan måde, at det får den til at bruge unormalt meget strøm.

I denne situation skal du slippe afbryderkontakten på maskinen og stoppe den anvendelse, som gjorde maskinen overbelastet. Tryk derefter ind på afbryderkontakten for starte igen.

Hvis maskinen ikke starter, er batteriet overbelastet. I denne situation skal du lade batteriet køle af, inden du trykker ind på afbryderkontakten igen.

• Lav batterispænding:

Den resterende batterikapacitet er for lav, og maskinen kan ikke køre. Hvis du trækker i afbryderkontakten, kører motoren, men stopper hurtigt. I denne situation skal du afmontere og oplade batteriet.

Betjening af kontakt

FORSIGTIG:

- Før batteripakken sættes i maskinen, skal du altid kontrollere, at afbryderkontakten reagerer korrekt og vender tilbage i "OFF"-positionen, når du slipper den.

For at starte maskinen skal du blot trykke på afbryderkontakten. Slip afbryderkontakten for at stoppe. (Fig. 3)

MONTERING

FORSIGTIG:

- Sørg altid for, at maskinen er slukket, og at batteripakken er taget ud, før du udfører nogen form for arbejde på maskinen.

Bortskaffelse af støv

FORSIGTIG:

- Tøm støvsugeren inden den bliver alt for fuld, ellers svækkes sugekraften.
- Sørg for at tømme al støvet inde i selve støvsugeren ud. Gøres dette ikke, kan det medføre, at filteret tilstoppes, eller motoren bliver beskadiget.

Tap let på ydersiden af beholderen 4 eller 5 gange med hånden så støv, som sidder fast i beholderen, slipper. (Fig. 4)

Ret nu sugearbningen nedad, drej beholderen i retningen vist med pilen på figuren, og afmonter beholderen langsomt og lige. (Fig. 5)

BEMÆRK:

- Der falder muligvis støv ud, når beholderen åbnes. Sørg for at holde beholderen så lodret som muligt og placer en affaldspose under beholderen.

Fjern ophobet støv fra indersiden af beholderen og fra forfilteret. (Fig. 6)

Drej forfilteret i pilens retning for at frigøre fastgørelseskanten fra støvsugerenheden og træk derefter forfilteret af. (Fig. 7)

Fjern fint støv fra forfilteret. Fjern derefter filteret og tap let, så støvet slipper. (Fig. 8)

Remontering

Placer først filteret uden det trækkes tilbage. Hvis filteret sættes forkert på, kommer der støv ind i motorhuset, hvilket forårsager motorfejl. Sæt dernæst forfilteret over filteret. (Fig. 9)

Drej filtersættet og juster positionen af de to fastgørelseskanten på forfilteret, og tilslut med renderne i støvsugerdelen. (Fig. 10)

Tilslut beholderen i overensstemmelse med indretningsmærkerne på håndtaget og beholderen, og drej beholderen i pilens retning indtil den sidder fast. (Fig. 11 og 12)

BEMÆRK:

- Fjern altid støv inden det hober sig op, da sugevnen vil blive reduceret, hvis der er for meget støv i støvsugeren.
- Kontroller altid at både filteret og forfilteret er isat korrekt, inden støvsugeren anvendes. Hvis de ikke isættes korrekt, kommer der støv ind i motorhuset, hvilket forårsager motorfejl.

BETJENING

FORSIGTIG:

- Påsæt (eller aftag) mundstykket, mens du drejer det med uret. Hvis det drejes mod uret, kan beholderen muligvis løsnes. (Fig. 13)

Rengøring (sugning)

Mundstykke (Fig. 14)

Monter mundstykket til rengøring af borde, skriveborde, møbler osv. Mundstykket er nemt at sætte på.

Mundstykke + Forlængerrør (lige rør) (Fig. 15)

Forlængerrøret passer ind mellem mundstykket og selve støvsugeren. Dette arrangement er praktisk til rengøring af et gulv, mens du står op.

Hjørnemundstykke (Fig. 16)

Påsæt hjørnemundstykket til rengøring af hjørner og sprækker i en bil eller møbel.

Hjørnemundstykke + Forlængerrør (lige rør) (Fig. 17)

På steder hvor selve støvsugeren ikke kan komme ind, eller på høje steder hvor det er svært at nå, skal du anvende dette arrangement.

Rengøring uden mundstykke (Fig. 18)

Du kan opsamle pulver og støv uden mundstykke.

Ting, som skal kontrolleres, inden der bedes om reparation

Symptom	Område som skal undersøges	Metode til afhjælpning
Svag sugeevne	<ul style="list-style-type: none">• Er beholderen fuld af støv?• Er filteret tilstoppet?• Er batteriet brugt op?	<ul style="list-style-type: none">• Tøm beholderen for støv.• Tør støv af filteret eller vask det.• Genoplad batteriet.
Fungerer ikke	<ul style="list-style-type: none">• Er batteriet brugt op?	<ul style="list-style-type: none">• Genoplad batteriet.

010051

BEMÆRK:

- Forsøg ikke at reparere støvsugeren selv.
- For at holde produktet SIKKERT og PÅLIDELIGT skal reparationer samt al anden vedligeholdelse eller justering udføres af autoriserede Makita-servicecentre, og der skal altid benyttes Makita-reservedele.

EKSTRAUDSTYR

FORSIGTIG:

- Dette tilbehør eller ekstraudstyr anbefales til brug med det Makita-værktøj, som er beskrevet i denne brugsanvisning. Brug af andet tilbehør eller ekstraudstyr kan forårsage personskade. Brug kun tilbehør eller ekstraudstyr til det formål, det er beregnet til.

Henvend dig til dit lokale Makita-servicecenter, hvis du har brug for hjælp eller yderligere oplysninger vedrørende tilbehøret.

- Forlængerrør (lige rør)
- Mundstykke
- Mundstykke til tæppe
- Hyldebørste
- Hjørnemundstykke
- Rund børste
- Bøjelig slange

VEDLIGEHOLDELSE

FORSIGTIG:

- Sørg altid for at maskinen er slukket, før du udfører inspektion eller vedligeholdelse.

Rengøring (Fig. 19)

Fra tid til anden skal du tørre ydersiden af støvsugeren (støvsugerdel) af med en klud, der er fugtet med sæbevand.

Rengør også indsugningsåbningen, monteringsområdet for støvposen/støvpakken og støvstopperen.

FORSIGTIG:

- Brug aldrig benzin, benzen, fortynder, alkohol eller lignende. Det kan muligvis medføre misfarvning, deformation eller revner.

Vask filteret i sæbevand, når det er stoppet til med støv og sugeevnen forringes. Sørg for, at den er helt tør inden brug. Et filter, som ikke er tørret tilstrækkeligt, kan medføre dårlig sugeevne og forkorte motorens levetid.

(Fig. 20)

Blæs ikke støv, som sidder fast på støvsugeren, af med trykluft. Det forårsager, at der trænger støv ind i huset og medfører fejl.

- Filter
- Forfilter
- Originalt batteri og oplader fra Makita

BEMÆRK:

- Visse dele på listen er muligvis indeholdt maskinindpakningen som standardtilbehør. De kan variere fra land til land.

ΕΛΛΗΝΙΚΑ (Πρωτογενείς οδηγίες)

ΠΡΟΕΙΔΟΠΟΙΗΣΗ: Αυτή η συσκευή μπορεί να χρησιμοποιηθεί από παιδιά ηλικίας από 8 ετών και πάνω και από άτομα με περιορισμένες σωματικές, αισθητήριες ή διανοητικές ικανότητες ή από άτομα χωρίς εμπειρία και γνώση αν τη χρησιμοποιούν υπό επιτήρηση ή έχουν λάβει οδηγίες σχετικά με τη χρήση της συσκευής με έναν ασφαλή τρόπο και κατανοούν τους κινδύνους που ενέχονται. Τα παιδιά δεν πρέπει να παίζουν με τη συσκευή. Ο καθαρισμός και η συντήρηση χρήστη δεν θα πρέπει να γίνονται από παιδιά χωρίς επίβλεψη.

Περιγραφή γενικής όψης

- | | | |
|-----------------------|---------------------------|------------------------|
| 1. Κόκκινη ένδειξη | 6. Είσοδος αναρρόφησης | 11. Χερούλι |
| 2. Κουμπί | 7. Προφίλτρο | 12. Ακροφύσιο |
| 3. Κασέτα μπαταρίας | 8. Ασφαλιστικό χείλος | 13. Σώμα σκούπας |
| 4. Σκανδάλη-διακόπτης | 9. Φίλτρο | 14. Σωλήνας προέκτασης |
| 5. Κάψουλα | 10. Σημάδια ευθυγράμμισης | 15. Γωνιακό ακροφύσιο |

ΠΡΟΔΙΑΓΡΑΦΕΣ

Μοντέλο	CL183D
Χωρητικότητα	600 mL
Συνεχής χρήση	Περίπου 24 min.
Ολικό μήκος	966 mm
Καθαρό βάρος	1,1 kg
Ονομαστική τιμή τάσης	D.C. 18 V

- Λόγω του συνεχόμενου προγράμματος που εφαρμόζουμε για έρευνα και ανάπτυξη, τα τεχνικά χαρακτηριστικά στο παρόν έντυπο υπόκεινται σε αλλαγή χωρίς προειδοποίηση.
- Τα τεχνικά χαρακτηριστικά και η μπαταρία ενδέχεται να διαφέρουν από χώρα σε χώρα.
- Βάρος μαζί με την μπαταρία σύμφωνα με τη διαδικασία της ΕΡΤΑ 01/2003

Σύμβολα

Παρακάτω παρουσιάζουν τα σύμβολα που χρησιμοποιούνται για τον εξοπλισμό. Βεβαιωθείτε ότι κατανοείτε τη σημασία τους πριν από τη χρήση.

END315-1

Προοριζόμενη χρήση

Το εργαλείο προορίζεται για τη συλλογή στεγνής σκόνης.

ENE017-1

ΣΗΜΑΝΤΙΚΟ

ENA005-5



..... Διαβάστε το εγχειρίδιο οδηγιών.



..... Μόνο για τις χώρες της ΕΕ

Μην απορρίπτετε τον ηλεκτρικό εξοπλισμό ή την μπαταρία μαζί με τα οικιακά απορρίμματα!

Σύμφωνα με την Ευρωπαϊκή Οδηγία περί απορριμμάτων ηλεκτρικών, ηλεκτρονικών συσκευών, μπαταριών και συσσωρευτών και των απορριμμάτων μπαταριών και συσσωρευτών και την ενσωμάτωσή τους στην εθνική νομοθεσία, οι ηλεκτρικές συσκευές, οι μπαταρίες και οι κασέτες μπαταριών, των οποίων έχει παρέλθει ο χρόνος ωφέλιμης ζωής τους, πρέπει να συλλέγονται ξεχωριστά και να επιστρέφονται σε εγκαταστάσεις περιβαλλοντικής ανακύκλωσης.

ΟΔΗΓΙΕΣ ΑΣΦΑΛΕΙΑΣ

Κατά τη χρήση μιας ηλεκτρικής συσκευής, πρέπει να ακολουθούνται πάντα προληπτικά μέτρα, συμπεριλαμβανομένων των εξής:

ΝΑ ΔΙΑΒΑΖΕΤΕ ΟΛΕΣ ΤΙΣ ΟΔΗΓΙΕΣ ΠΡΙΝ ΧΡΗΣΙΜΟΠΟΙΗΣΕΤΕ ΑΥΤΗ ΤΗ ΣΥΣΚΕΥΗ.

ΠΡΟΕΙΔΟΠΟΙΗΣΗ - Προκειμένου να μειωθεί ο κίνδυνος πυρκαγιάς, ηλεκτροπληξίας ή τραυματισμού:

1. Μην την εκθέσετε στη βροχή. Αποθηκεύστε σε εσωτερικό χώρο.
2. Δεν επιτρέπεται να χρησιμοποιείται ως ένα παιχνίδι. Ιδιαίτερη προσοχή απαιτείται όταν χρησιμοποιείται από ή κοντά σε παιδιά.

3. Να χρησιμοποιείτε μόνο όπως καθορίζεται στο εγχειρίδιο αυτό. Χρησιμοποιείτε μόνο τα συνιστώμενα προσαρτήματα από τον κατασκευαστή.
 4. Μη χρησιμοποιείτε μια μπαταρία που έχει υποστεί βλάβη. Εάν η συσκευή δεν λειτουργεί όπως θα έπρεπε, έχει πέσει κάτω, έχει υποστεί ζημιά, έχει μείνει σε εξωτερικούς χώρους ή έχει πέσει στο νερό, επιστρέψτε την σε ένα κέντρο σέρβις.
 5. Μην χειρίζεστε τις συσκευές με υγρά χέρια.
 6. Μην τοποθετείτε οποιοδήποτε αντικείμενο μέσα στα ανοίγματα. Μην χρησιμοποιείτε με οποιοδήποτε άνοιγμα μπλοκαρισμένο, διατηρήστε το ελεύθερο από σκόνη, χνούδι, τρίχες και οτιδήποτε μπορεί να μειώσει την ροή αέρα.
 7. Κρατήστε μαλλιά, χαλαρά ρούχα, δάχτυλα, και όλα τα μέρη του σώματος μακριά από τα ανοίγματα και τα κινούμενα μέρη.
 8. Απενεργοποιήστε όλα τα χειριστήρια πριν αποσυνδέσετε την μπαταρία.
 9. Δώστε επιπρόσθετη φροντίδα κατά τον καθαρισμό πάνω σε σκάλες.
 10. Μην την χρησιμοποιείτε για συλλογή εύφλεκτων ή καύσιμων υγρών όπως βενζίνη ή την χρησιμοποιήσετε σε περιοχές όπου μπορεί να παραπάνω να είναι παρόντα.
 11. Για την επαναφόρτιση χρησιμοποιείτε μόνο το φορτιστή που παρέχεται από τον κατασκευαστή.
 12. Μην απορροφήσετε οτιδήποτε καίγεται ή παράγει καπνό, όπως τσιγάρα, σπίρτα ή καυτή στάχτη.
 13. Μην χρησιμοποιήσετε χωρίς να υπάρχουν τα φίλτρα στη θέση τους.
 14. Μην φορτίστε την μπαταρία σε εξωτερικό χώρο.
- Χρήση και φροντίδα εργαλείου μπαταρίας**
15. Επαναφορτίστε μόνο με τον φορτιστή που καθορίζεται από τον κατασκευαστή. Ένας φορτιστής που είναι κατάλληλος για ένα τύπο κασέτας μπαταρίας μπορεί να προκαλέσει τον κίνδυνο φωτιάς εάν χρησιμοποιηθεί σε ένα άλλο τύπο κασέτας μπαταρίας.
 16. Χρησιμοποιήστε τα ηλεκτρικά εργαλεία μόνο με ειδικά καθορισμένες κασέτες μπαταριών. Η χρήση οποιοδήποτε άλλων κασετών μπαταριών μπορεί να δημιουργήσει τον κίνδυνο τραυματισμού και πυρκαγιάς.
 17. Όταν η μπαταρία δεν χρησιμοποιείται, φυλάξτε την μακριά από άλλα μεταλλικά αντικείμενα, όπως συνδετήρες, νομίσματα, κλειδιά, καρφιά, βίδες ή άλλα μικρά μεταλλικά αντικείμενα, τα οποία μπορούν να δημιουργήσουν σύνδεση από τον ένα πόλο στον άλλο.
 18. Σε ακραίες συνθήκες μπορεί να πεταχτεί έξω το υγρό της μπαταρίας, αποφύγετε την επαφή μαζί του. Εάν συμβεί τυχαία επαφή, ξεπλύνετε με νερό.

ΦΥΛΑΞΤΕ ΑΥΤΕΣ ΤΙΣ ΟΔΗΓΙΕΣ.

Αυτή η συσκευή προορίζεται για οικιακή χρήση.

ΠΡΟΣΘΕΤΟΙ ΚΑΝΟΝΕΣ ΑΣΦΑΛΕΙΑΣ

ENB114-3

1. Διαβάστε προσεκτικά αυτό το εγχειρίδιο οδηγιών και το εγχειρίδιο οδηγιών του φορτιστή πριν από τη χρήση.
2. Μην συλλέγετε τα ακόλουθα υλικά:
 - Ζεστά υλικά, όπως αναμμένα τσιγάρα ή σπινθήρες/μεταλλική σκόνη που παράγεται με λείανση/κοπή μετάλλων
 - Εύφλεκτες ύλες όπως βενζίνη, διαλυτικά, βενζίνη, κηροζίνη ή μπογιά
 - Εκρηκτικές ύλες όπως νιτρογλυκερίνη
 - Αναφλέξιμα υλικά όπως αλουμίνιο, ψευδάργυρος, μαγνήσιο, τιτάνιο, φωσφόρος ή ζελατίνη
 - Υγρές ακαθαρσίες, νερό, λάδι ή παρόμοια
 - Σκληρά αντικείμενα με αιχμηρές άκρες, όπως κατάλοιπα ξύλου, μέταλλα, πέτρες, γυαλιά και καρφιά, πινέζες ή ζυραφάκια
 - Σκόνη που πήξει, όπως τσιμέντο ή γραφίτης
 - Αγώγιμη σκόνη, όπως μετάλλου ή άνθρακα
 - Λεπτά σωματίδια όπως σκόνη σκουροδέματος
 Μια τέτοια ενέργεια μπορεί να προκαλέσει πυρκαγιά, τραυματισμό ή/και ζημιά στην περιουσία.
3. Διακόψτε αμέσως τη λειτουργία αν παρατηρήσετε ο,τιδήποτε ασυνήθιστο.
4. Αν σας πέσει κάτω ή χτυπήσει η σκούπα, ελέγξτε προσεκτικά για ραγίσματα ή ζημιά πριν τη λειτουργία.
5. Μην την φέρνετε κοντά σε θερμάστρες ή σε άλλες πηγές θερμότητας.
6. Μην μπλοκάρετε την οπή εισαγωγής ή τις οπές αερισμού.

ΦΥΛΑΞΤΕ ΑΥΤΕΣ ΤΙΣ ΟΔΗΓΙΕΣ.

ΣΗΜΑΝΤΙΚΕΣ ΟΔΗΓΙΕΣ ΑΣΦΑΛΕΙΑΣ

ENC009-2

ΓΙΑ ΤΗΝ ΚΑΣΕΤΑ ΜΠΑΤΑΡΙΑΣ

1. Πριν χρησιμοποιήσετε την κασέτα μπαταρίας, διαβάστε όλες τις οδηγίες και τις ενδείξεις προφύλαξης στο (1) φορτιστή μπαταρίας, (2) στην μπαταρία και (3) στο προϊόν στο οποίο χρησιμοποιείται η μπαταρία.
2. Μην αποσυναρμολογείτε την κασέτα μπαταρίας.
3. Αν ο χρόνος λειτουργίας της μπαταρίας είναι υπερβολικά σύντομος, διακόψτε αμέσως τη λειτουργία. Αν συνεχίσετε, μπορεί να επέλθει ο κίνδυνος υπερθέρμανσης, πιθανών εγκαυμάτων και ακόμη έκρηξης.
4. Αν μπει στα μάτια σας ηλεκτρολύτης, ξεπλύνετε με καθαρό νερό και αναζητήστε αμέσως ιατρική βοήθεια. Μπορεί να χάσετε την όρασή σας.
5. Μη βραχυκυκλώνετε την κασέτα μπαταρίας:
 - (1) Μην αγγίζετε τους ακροδέκτες με αγώγιμο υλικό.
 - (2) Μην αποθηκεύετε την κασέτα μπαταρίας σε δοχείο με άλλα μεταλλικά αντικείμενα, όπως καρφιά, νομίσματα, κτλ.

(3) Μην εκθέτετε την κασέτα μπαταρίας σε νερό ή βροχή.

Αν βραχυκυκλωθεί η μπαταρία, μπορεί να προκληθεί μεγάλη ροή ηλεκτρικού ρεύματος, υπερθέρμανση, πιθανά εγκαύματα και ακόμη και κατάρρευση.

6. Μην αποθηκεύετε το εργαλείο και την μπαταρία σε μέρη όπου η θερμοκρασία μπορεί να φτάσει ή να ξεπεράσει τους 50°C (122°F).
7. Μην αποτεφρώνετε την κασέτα μπαταρίας ακόμη κι αν παρουσιάζει σοβαρή ζημιά ή είναι εντελώς φθαρμένη. Η κασέτα μπαταρίας μπορεί να εκραγεί σε φωτιά.
8. Να προσέχετε να μη σας πέσει η μπαταρία και να μη συγκρουστεί με κάποιο αντικείμενο.
9. Μη χρησιμοποιείτε μια μπαταρία που έχει υποστεί βλάβη.
10. Ακολουθήστε τους τοπικούς κανονισμούς σχετικά με την απόρριψη της μπαταρίας.

ΦΥΛΑΞΤΕ ΑΥΤΕΣ ΤΙΣ ΟΔΗΓΙΕΣ.

Συμβουλές για τη διατήρηση της μέγιστης διάρκειας ζωής της μπαταρίας

1. Να φορτίζετε την κασέτα μπαταρίας πριν αποφορτιστεί εντελώς.
Πάντοτε να διακόπτετε τη λειτουργία του εργαλείου και να φορτίζετε την κασέτα μπαταρίας όταν παρατηρείται μειωμένη ισχύς του εργαλείου.
2. Ποτέ μην επαναφορτίζετε μια πλήρως φορτισμένη κασέτα μπαταρίας.
Αν υπερφορτίσετε την μπαταρία, μειώνεται η ωφέλιμη διάρκεια ζωής της.
3. Να φορτίζετε την κασέτα μπαταρίας σε θερμοκρασία δωματίου, στους 10°C - 40°C (50°F - 104°F). Αν η κασέτα μπαταρίας είναι θερμή, αφήστε την να ψυχθεί πριν τη φορτίσετε.

ΠΕΡΙΓΡΑΦΗ ΛΕΙΤΟΥΡΓΙΑΣ

⚠ ΠΡΟΣΟΧΗ:

- Να βεβαιώνετε πάντοτε ότι έχετε σβήσει το εργαλείο και έχετε βγάλει την κασέτα μπαταρίας πριν ρυθμίσετε ή ελέγξετε κάποια λειτουργία του εργαλείου.
- Προσέξτε να μην μαγκώσετε το δάκτυλο(-α) σας μεταξύ της σκούπας και της μπαταρίας όπως υποδεικνύεται στο διάγραμμα κατά τη φόρτωση της μπαταρίας. Η παγίδευση του δακτύλου(-ων) μπορεί να προκαλέσει τραυματισμό. (Εικ. 1)

Τοποθέτηση ή αφαίρεση της κασέτας μπαταρίας (Εικ. 2)

⚠ ΠΡΟΣΟΧΗ:

- Πάντοτε να απενεργοποιείτε το εργαλείο πριν από την τοποθέτηση ή την αφαίρεση της κασέτας μπαταρίας.
- Κρατήστε το εργαλείο και την κασέτα μπαταρίας γερά κατά την τοποθέτηση ή την αφαίρεση της κασέτας μπαταρίας. Εάν δεν κρατήσετε γερά το εργαλείο και την κασέτα μπαταρίας μπορεί να γλιστρήσουν από τα χέρια σας και να προκληθεί ζημιά στο εργαλείο και στην κασέτα μπαταρίας αλλά και προσωπικός τραυματισμός.

Για να βγάλετε την κασέτα μπαταρίας, σύρετε την από το εργαλείο σέρνοντας το κουμπί στο μπροστινό μέρος της κασέτας.

Για να τοποθετήσετε την κασέτα μπαταρίας, ευθυγραμμίστε τη γλωττίδα της κασέτας μπαταρίας με την εγκοπή στο περίβλημα και σύρετε τη στη θέση της. Τοποθετήστε την έως το τέρμα, δηλαδή έως όπου ασφαλίσει στη θέση της και ακουστεί ένας χαρακτηριστικός ήχος κλικ. Αν μπορείτε να δείτε την κόκκινη ένδειξη στην πάνω πλευρά του κουμπιού, η μπαταρία δεν είναι πλήρως ασφαλισμένη.

⚠ ΠΡΟΣΟΧΗ:

- Πάντοτε να τοποθετείτε πλήρως την κασέτα μπαταρίας για να μη φαίνεται η κόκκινη ένδειξη. Σε αντίθετη περίπτωση, μπορεί να πέσει κατά λάθος από το εργαλείο και να τραυματίσει εσάς ή κάποιον παρευρισκόμενο.
- Μην εισάγετε με τη βία την κασέτα μπαταρίας. Αν η κασέτα δεν ολισθαίνει με ευκολία, δεν την εισαγάγετε σωστά.

Σύστημα προστασίας μπαταρίας

Το εργαλείο είναι εφοδιασμένο με ένα σύστημα προστασίας μπαταρίας. Αυτό το σύστημα διακόπτει αυτόματα το ρεύμα στον κινητήρα για να παρατείνεται η διάρκεια ζωής της μπαταρίας.

Το εργαλείο θα σταματήσει αυτόματα κατά τη λειτουργία όταν το εργαλείο ή/και η μπαταρία υποστούν τις παρακάτω συνθήκες:

- Υπερφόρτιση:
Το εργαλείο λειτουργεί με τρόπο που προκαλεί την καταπόνηση ασυνήθιστα υψηλής ποσότητας ρεύματος.
Στην περίπτωση αυτή, ελευθερώστε τη σκανδάλη-διακόπτης του εργαλείου και σταματήστε την εφαρμογή που προκάλεσε την υπερφόρτωση του εργαλείου. Στη συνέχεια, τραβήξτε τη σκανδάλη-διακόπτης ξανά για επανεκκίνηση.
Εάν το εργαλείο δεν ξεκινά, η μπαταρία έχει υπερθερμανθεί. Στην περίπτωση αυτή, αφήστε την μπαταρία να κρυώσει πριν τραβήξετε τη σκανδάλη-διακόπτης ξανά.
- Χαμηλή τάση μπαταρίας:
Η εναπομένουσα ποσότητα ρεύματος της μπαταρίας είναι πολύ χαμηλή και το εργαλείο δεν θα λειτουργήσει. Αν τραβήξετε τη σκανδάλη-διακόπτης, ο κινητήρας θα λειτουργήσει αλλά γρήγορα θα σταματήσει. Σε αυτήν την περίπτωση, αφαιρέστε και επαναφορτίστε τη μπαταρία.

Δράση διακόπτη

⚠ ΠΡΟΣΟΧΗ:

- Πριν την τοποθέτηση της κασέτας μπαταρίας στο εργαλείο, πάντοτε να ελέγχετε ότι η σκανδάλη-διακόπτης ενεργοποιείται κανονικά και επιστρέφει στη θέση "OFF" όταν την αφήνετε.

Για να ξεκινήσετε το εργαλείο, απλά τραβήξτε τη σκανδάλη-διακόπτης. Για να σταματήσετε το εργαλείο, αφήστε τη σκανδάλη-διακόπτης. (Εικ. 3)

ΣΥΝΑΡΜΟΛΟΓΗΣΗ

ΠΡΟΣΟΧΗ:

- Να βεβαιώνετε πάντοτε ότι έχετε σβήσει το εργαλείο και έχετε βγάλει την κασέτα μπαταρίας πριν εκτελέσετε οποιαδήποτε εργασία σε αυτό.

Απόρριψη της σκόνης

ΠΡΟΣΟΧΗ:

- Αδειάστε τη σκούπα πριν γεμίσει τελείως διαφορετικά η αναρροφητική δύναμη θα μειωθεί.
- Φροντίστε να αδειάσετε τη σκόνη από το εσωτερικό της ίδιας της σκούπας. Αν δεν το κάνετε αυτό, μπορεί να βουλώσει το φίλτρο ή να προκληθεί βλάβη στον κινητήρα.

Για να βγει η σκόνη που είναι κολλημένη πάνω στο φίλτρο στην κάψουλα, χτυπήστε την περιμετρο της κάψουλας 4 ή 5 φορές με το χέρι σας. **(Εικ. 4)**

Τώρα κατευθύνετε το σημείο εισαγωγής αναρρόφησης προς τα κάτω, γυρίστε την κάψουλα προς την κατεύθυνση του βέλους στο σχήμα, και αποσυνδέστε την κάψουλα αργά και ευθύγραμμα. **(Εικ. 5)**

ΣΗΜΕΙΩΣΗ:

- Η σκόνη μπορεί να χυθεί κατά το άνοιγμα της κάψουλας. Φροντίστε να διατηρήσετε την κάψουλα όσο το δυνατόν σε κατακόρυφη θέση, τοποθετήστε μια σακούλα σκουπιδιών κάτω από την κάψουλα.

Αφαιρέστε τη συσσωρευμένη σκόνη από το εσωτερικό της κάψουλας και από το προφίλτρο. **(Εικ. 6)**

Περιστρέψτε το προφίλτρο προς την κατεύθυνση του βέλους για να ξεκουμπώσετε το ασφαλιστικό χείλος από τη μονάδα της σκούπας και στη συνέχεια τραβήξτε το προφίλτρο. **(Εικ. 7)**

Καθαρίστε με λεπτή σκόνη από το προφίλτρο. Στη συνέχεια, αφαιρέστε το φίλτρο και χτυπήστε ελαφρά για να απομακρύνετε τη σκόνη. **(Εικ. 8)**

Επανασυναρμολόγηση

Πρώτον, τοποθετήστε πίσω το φίλτρο χωρίς να αποφλοιωθεί. Αν το φίλτρο τοποθετηθεί λανθασμένα, η σκόνη θα μπει στο περίβλημα του κινητήρα και θα προκαλέσει βλάβη στο μοτέρ. Δεύτερον, βάλτε το προφίλτρο πάνω στο φίλτρο. **(Εικ. 9)**

Στρέψτε το σετ φίλτρων και ρυθμίστε τη θέση των δύο ασφαλιστικών χειλέων στο προφίλτρο, και συνδέστε με τις αλκακώσεις του περιβλήματος της σκούπας. **(Εικ. 10)** Συνδέστε την κάψουλα, σύμφωνα με τα σημάδια ευθυγράμμισης επάνω στο χερούλι και στην κάψουλα, περιστρέψτε σταθερά την κάψουλα προς την κατεύθυνση του βέλους μέχρι να ασφαλίσει. **(Εικ. 11 και 12)**

ΣΗΜΕΙΩΣΗ:

- Πάντοτε να αφαιρείτε τη σκόνη εγκαίρως, επειδή η απορροφητική ισχύς θα μειωθεί εάν υπάρχει πολύ σκόνη στη σκούπα.
- Πάντοτε να βεβαιώνετε ότι το φίλτρο και το προφίλτρο φορτώνονται σωστά πριν την χρήση της σκούπας. Εάν δεν τοποθετηθεί σωστά, η σκόνη θα εισχωρήσει μέσα στο περίβλημα του κινητήρα και θα προκαλέσει βλάβη του κινητήρα.

ΛΕΙΤΟΥΡΓΙΑ

ΠΡΟΣΟΧΗ:

- Εισαγάγετε (ή εξάγετε) το ακροφύσιο περιστρέφοντας το δεξιόστροφα. Αν περιστραφεί προς τα αριστερά, μπορεί να ξεσφίξει η κάψουλα. **(Εικ. 13)**

Καθαρισμός (Αναρρόφηση)

Ακροφύσιο (Εικ. 14)

Προσάρτηστε το ακροφύσιο για να καθαρίσετε τραπέζια, γραφεία, έπιπλα κ.λπ. Το ακροφύσιο γλιστρά πάνω τους εύκολα.

Ακροφύσιο + Σωλήνας προέκτασης (Ευθύγραμμος σωλήνας) (Εικ. 15)

Ο σωλήνας προέκτασης τοποθετείται μεταξύ του ακροφυσίου και της σκούπας. Αυτή η ρύθμιση είναι βολική για τον καθαρισμό ενός διαπέδου στεκόμενοι όρθιοι.

Γωνιακό ακροφύσιο (Εικ. 16)

Τοποθετήστε το γωνιακό ακροφύσιο για καθαρισμό γωνιών και σχισμών ενός αυτοκινήτου ή επίπλων.

Γωνιακό ακροφύσιο + Σωλήνας προέκτασης (Ευθύγραμμος σωλήνας) (Εικ. 17)

Σε μικρούς χώρους όπου η σκούπα δεν μπορεί να εισχωρήσει ή σε υψηλές δυσπρόσιτες θέσεις, χρησιμοποιήστε αυτή τη διάταξη.

Καθαρισμός χωρίς ακροφύσιο (Εικ. 18)

Μπορείτε να αναρροφήσετε πούδρα και σκόνη χωρίς ακροφύσιο.

ΣΥΝΤΗΡΗΣΗ

ΠΡΟΣΟΧΗ:

- Να βεβαιώνετε πάντοτε ότι το εργαλείο είναι σβηστό πριν εκτελέσετε οποιαδήποτε εργασία ελέγχου ή συντήρησης.

Καθάρισμα (Εικ. 19)

Κατά διαστήματα, σκουπίζετε το εξωτερικό (σώμα σκούπας) χρησιμοποιώντας ένα ύφασμα υγραμένο με σαπουνόνερο.

Καθαρίστε επίσης το άνοιγμα αναρρόφησης, την περιοχή στερέωσης της σακούλας/πακέτου συλλογής σκόνης και το πώμα σκόνης.

ΠΡΟΣΟΧΗ:

- Μην χρησιμοποιήσετε βενζίνη, βενζόλη, διαλυτικό, αλκοόλη ή κάτι παρόμοιο. Μπορεί να προκληθεί αποχρωματισμός, παραμόρφωση ή ρωγμές. Πλύνετε το φίλτρο με σαπουνόνερο όταν είναι βουλωμένο με σκόνη και έχει ελαττωθεί η ισχύς της σκούπας. Στεγνώστε καλά πριν τη χρήση. Ένα ανεπαρκώς στεγνωμένο φίλτρο μπορεί να προκαλέσει κακή αναρρόφηση και να μειώσει τη διάρκεια ζωής του κινητήρα. **(Εικ. 20)** Μην φυσήξετε τη σκόνη που είναι κολλημένη πάνω στη σκούπα με σπρέι καθαρισμού σκόνης. Η ενέργεια αυτή μεταφέρει τη σκόνη μέσα στο περίβλημα και προκαλεί βλάβη.

Πράγματα που πρέπει να ελέγξετε πριν ζητήσετε επισκευές

Σύμπτωμα	Περιοχή που πρέπει να διερευνηθεί	Μέθοδος επίλυσης
Χαμηλή ισχύς αναρρόφησης	<ul style="list-style-type: none">• Είναι η κάψουλα γεμάτη σκόνη;• Είναι βουλωμένο το φίλτρο;• Έχει εξαντληθεί η μπαταρία;	<ul style="list-style-type: none">• Αδειάστε τη σκόνη από την κάψουλα.• Βγάλτε τη σκόνη ή πλύντε το φίλτρο.• Επαναφορτίστε τη μπαταρία.
Δεν λειτουργεί	<ul style="list-style-type: none">• Έχει εξαντληθεί η μπαταρία;	<ul style="list-style-type: none">• Επαναφορτίστε τη μπαταρία.

010051

ΣΗΜΕΙΩΣΗ:

- Μην προσπαθήσετε να επισκευάσετε τη σκούπα μόνοι σας.

Για την διασφάλιση της ΑΣΦΑΛΕΙΑΣ και της ΑΞΙΟΠΙΣΤΙΑΣ του προϊόντος, οι επισκευές και οι άλλες εργασίες ρύθμισης και συντήρησης πρέπει να εκτελούνται από Εξουσιοδοτημένα Κέντρα Σέρβις της Makita, χρησιμοποιώντας πάντοτε ανταλλακτικά εξαρτήματα της Makita.

ΠΡΟΑΙΡΕΤΙΚΑ ΑΞΕΣΟΥΑΡ

ΠΡΟΣΟΧΗ:

- Συνιστάται η χρήση αυτών των αξεσουάρ ή εξαρτημάτων με το εργαλείο της Makita, όπως περιγράφεται στο παρόν εγχειρίδιο. Αν χρησιμοποιήσετε άλλα αξεσουάρ ή εξαρτήματα μπορεί να παρουσιαστεί κίνδυνος για πρόκληση τραυματισμού προσώπων. Να χρησιμοποιείτε τα αξεσουάρ και τα εξαρτήματα μόνο για το σκοπό για τον οποίο προορίζονται.

Αν χρειάζεστε κάποια βοήθεια ή περισσότερες πληροφορίες σχετικά με τα αξεσουάρ αυτά, απευθυνθείτε στο πλησιέστερο κέντρο εξυπηρέτησης της Makita.

- Σωλήνας προέκτασης (ευθύγραμμος σωλήνας)
- Ακροφύσιο
- Ακροφύσιο για χαλί
- Ατομική βούρτσα
- Γωνιακό ακροφύσιο
- Στρογγυλή βούρτσα
- Εύκαμπτος σωλήνας
- Φίλτρο
- Προφίλτρο
- Αυθεντική μπαταρία και φορτιστής της Makita

ΣΗΜΕΙΩΣΗ:

- Ορισμένα από τα στοιχεία της λίστας μπορεί να περιέχονται στη συσκευασία του εργαλείου ως κανονικά αξεσουάρ. Αυτά ενδέχεται να διαφέρουν από χώρα σε χώρα.

TÜRKÇE (Orijinal talimatlar)

UYARI: Bu makine yalnızca makinenin güvenli kullanımına ilişkin gerekli gözetin veya talimatları almaları ve ilgili tehlikeleri anlamaları durumunda 8 yaşının üzerindeki çocuklar ve fiziksel, algısal veya zihinsel yetersizlikleri bulunan ve yeterli deneyime ve bilgiye sahip olmayan kişiler tarafından kullanılabilir. Çocuklar kesinlikle bu makineyle oynamamalıdır. Temizlik ve kullanıcı bakımı gözetimsiz şekilde çocuklar tarafından gerçekleştirilmemelidir.

Genel görünüm

- | | | |
|------------------------|-------------------------|---------------------|
| 1. Kırmızı gösterge | 6. Emiş girişi | 11. Kol |
| 2. Düşme | 7. Ön filtre | 12. Uç |
| 3. Akü | 8. Sabitleme mandalı | 13. Süpürge gövdesi |
| 4. Açma/kapama düğmesi | 9. Filtre | 14. Uzatma borusu |
| 5. Hazine | 10. Hizalama işaretleri | 15. Kõşe alma ucu |

TEKNİK ÖZELLİKLER

Model	CL183D
Kapasite	600 mL
Devamlı kullanım	Yaklaşık 24 dak.
Toplam uzunluk	966 mm
Net ağırlık	1,1 kg
Anma gerilimi	D.C. 18 V

- Sürekli yapılan araştırma ve geliştirmelerden dolayı, burada belirtilen özellikler önceden bildirilmeksizin değiştirilebilir.
- Özellikler ve akü ülkeye göre farklılıklar gösterebilir.
- EPTA Prosedürü 01/2003 uyarınca ağırlık (akü dahil)

Simgeler

END315-1

Makine için kullanılan simgeler aşağıda gösterilmiştir. Makineyi kullanmaya başlamadan önce bu simgelerin ne anlama geldiğini öğrenin.



..... Kullanım kılavuzunu okuyun.



Sadece AB ülkeleri için
Elektrik cihazları ve pilleri ev çöplüyle birlikte atmayın!
Elektrikli ve Elektronik Cihaz Atıkları, Piller ve Aküler ve PİL ve Akü Atıkları Hakkındaki Avrupa Yönergeleri ve bunların ulusal kanunlara göre uygulanışı uyarınca kullanım ömrünü tamamlayan elektrikli cihazlar ve piller mutlaka ayrı olarak toplanmalı ve çevre şartlarına uygun bir geri dönüşüm tesisine gönderilmelidir.

Kullanım amacı

ENE017-1

Bu makine kuru tozların çekilmesi için tasarlanmıştır.

ÖNEMLİ

ENA005-5

GÜVENLİK TALİMATLARI

Bu makineyi kullanırken, aşağıdaki önlemler de dahil daima tüm temel önlemler alınmalıdır:

BU MAKİNEYİ KULLANMAYA BAŞLAMADAN ÖNCE TÜM TALİMATLARI DİKKATLİCE OKUYUN.

UYARI - Yangın, elektrik çarpması ve yaralanma riskini düşürmek için:

1. Yağmura maruz kalmasına izin vermeyin. Kapalı bir yerde muhafaza edin.
2. Oyuncak olarak kullanılmasına izin vermeyin. Çocuklar tarafından veya çocukların yakınında kullanılırken çok dikkat edilmelidir.
3. Yalnızca bu kılavuzda açıklandığı şekilde kullanın. Yalnızca üretici tarafından önerilen parçaları kullanın.
4. Hasarlı aküleri kullanmayın. Makine beklendiği gibi çalışmıyorsa, yere düşmüşse, hasar görmüşse, açık bir yerde bırakılmışsa veya suya düşmüşse, bir servis merkezine kontrol ettirin.
5. Elleriniz ıslakken dokunmayın.

6. Açıklıklara hiçbir nesne koymayın. Açıklıkların tıkanmamasına dikkat edin; tozdan, tüylerden, saçlardan ve hava akışını düşürebilecek diğer yabancı maddelerden uzak tutun.
 7. Saçlarınızı, bol kıyafetlerinizi, parmaklarınızı ve vücudunuzun diğer bölgelerini açıklıklara ve hareketli parçalara yaklaştırmayın.
 8. Aküyü çıkarmadan önce tüm kontrolleri kapalı konuma getirin.
 9. Basamakları temizlerken çok daha dikkatli olun.
 10. Benzin vb. gibi tutuşabilir veya yanıcı sıvıları çekmek için kullanmayın ve bu maddelerin bulunabileceği alanlarda çalışmayın.
 11. Şarj etmek için, yalnızca üretici tarafından verilen şarj cihazını kullanın.
 12. Sigara, kibrit veya sıcak kül tablası gibi yanmakta veya tütmekte olan şeyleri toplamak için kullanmayın.
 13. Filtreleri takılı değilse kullanmayın.
 14. Aküyü açık yerlerde şarj etmeyin.
- Akülü makinelerin kullanımı ve bakımı**
15. Yalnızca üretici tarafından önerilen şarj cihazlarını kullanın. Belirli bir akü tipi için uygun olan şarj cihazı, başka bir aküyle kullanıldığında yangın riski yaratabilir.
 16. Makineleri yalnızca özel olarak belirtilen akülerle kullanın. Farklı akülerin kullanılması yaralanma ve yangın riskini artırır.
 17. Kullanmadığınız zamanlarda aküyü ataç, bozuk para, anahtar, çivi, vida gibi akü kutuplarının birbirine temas etmesine neden olabilecek metal nesnelere uzak tutun.
 18. Akünün hasar görmesi durumunda aküden sızan sıvıya kesinlikle temas etmeyin. Yanlışlıkla sıvıya temas etmeniz durumunda, ilgili bölgeyi bol su ile yıkayın.

BU TALİMATLARI SAKLAYIN.

Bu makine evde kullanım için tasarlanmıştır.

EK GÜVENLİK KURALLARI ENB114-3

1. Kullanmaya başlamadan önce bu kılavuzu ve şarj cihazı kullanım kılavuzunu dikkatlice okuyun.
 2. Aşağıdaki maddeleri toplamak için kullanmayın:
 - Yanan sigaralar veya metal taşlama/kesimi sırasında oluşan kıvılcıklar/metal tozları vb. gibi sıcak maddeler
 - Benzin, tiner, mazot, kerosen veya boya vb. tutuşabilir maddeler
 - Nitrogliserin vb. gibi patlayıcı maddeler
 - Alüminyum, çinko, magnezyum, titanyum, fosfor veya selüloz vb. gibi yanıcı maddeler
 - Yaş kirler, su, yağ ve benzeri
 - Ahşap kırıntısı, metal, taş, cam, çivi, iğne ve jilet vb. gibi keskin kenarlı sert parçalar
 - Çimento ve toner gibi açıklıkları tıkaayabilecek toz maddeler
 - Metal ve karbon vb. gibi iletken tozlar
 - Beton tozları gibi ince partiküller
- Bu işlemler yangına, yaralanmalara ve/veya maddi hasara neden olabilir.

3. Anormal bir durum fark ettiğinizde makineyi derhal durdurun.
4. Süpürgeyi düşürür veya bir yere çarparsanız, çalıştırmaya başlamadan önce çatlak veya hasar olup olmadığını kontrol edin.
5. Ocak vb. gibi ısı kaynaklarına yaklaştırmayın.
6. Giriş deliğini veya havalandırma deliklerini tıkamayın.

BU TALİMATLARI SAKLAYIN.

ÖNEMLİ GÜVENLİK TALİMATLARI

ENC009-2

AKÜ İÇİN

1. Aküyü kullanmaya başlamadan önce (1) akü şarj cihazı, (2) akü ve (3) akünün takıldığı ürüne ilişkin tüm talimatları ve uyarıları okuyun.
2. Aküyü sökmeye çalışmayın.
3. Çalışma süresinde önemli bir kısımla gözlerseniz, hemen çalışmayı bırakın. Bu durum aşırı ısınmaya, yangına ve hatta patlamaya yol açabilir.
4. Elektrolit (akü sıvısı) gözlerinize temas ederse, bol temiz suyla yıkayın ve derhal bir doktora başvurun. Elektrolit körlüğe neden olabilir.
5. Akünün kısa devre yapmasına izin vermeyin:
 - (1) Herhangi bir iletken nesne ile akü uçlarına dokunmayın.
 - (2) Aküyü çivi, madeni para vb. gibi metal nesnelerin bulunduğu yerlerde saklamayın.
 - (3) Aküyü suya veya yağmura maruz bırakmayın. Aküde oluşacak bir kısa devre büyük bir elektrik akımına, aşırı ısınmaya, yangına ve hatta arızalara yol açabilir.
6. Makineyi ve aküyü 50°C (122°F) sıcaklığa ulaşabilecek veya bu değeri aşabilecek ortamlarda saklamayın.
7. Önemli ölçüde hasar görmüş veya tümüyle tükenmiş olsa da aküyü kesinlikle yakarak imha etmeye çalışmayın. Akü ateşe atıldığında patlayabilir.
8. Akünün düşmemesine ve darbe almamasına dikkat edin.
9. Hasarlı bir aküyü kesinlikle kullanmayın.
10. Akünün bertarafıyla ilgili yönetmelikleri dikkate alın.

BU TALİMATLARI SAKLAYIN.

Akünün öngörülen maksimum ömrü dolana kadar kullanılabilmesi için öneriler

1. Aküyü tamamen boşalmasını beklemeden şarj edin. Makinenin çalışma gücünde bir azalma gördüğünüzde, mutlaka çalışmayı bırakıp, aküyü şarj edin.
2. Tam olarak şarj edilmiş bir aküyü kesinlikle tekrar şarj etmeyin. Akünün normalden fazla şarj edilmesi ömrünü kısaltır.

3. **Aküyü, sıcaklığı 10°C ila 40°C (50°F - 104°F) arasında olan bir odada şarj edin.** Akü ısınmışsa, şarj etmeden önce soğumasını bekleyin.

KULLANIMA İLİŞKİN TANIMLAR

⚠️ DİKKAT:

- Makine üzerinde ayar veya başka bir kontrol işlemi gerçekleştirilmeden önce makinenin kapalı ve aküsünün çıkartılmış olduğundan emin olun.
- Şekilde gösterildiği gibi, aküyü takarken parmağınızı süpürge ile akü arasına sıkıştırmamaya dikkat edin. Parmağınızı sıkıştırmaz durumda yaralanabilirsiniz. **(Şekil 1)**

Akünün takılması ve sökülmesi (Şekil 2)

⚠️ DİKKAT:

- Aküyü takmadan ve çıkarmadan önce mutlaka makineyi kapalı konuma getirin.
- Aküyü takarken ve çıkarırken makineyi ve aküyü sıcak tutun.** Aksi takdirde, makine ve akü elinizden kayarak düşebilir ve neticesinde makine ve akü hasarları ve yaralanmalar meydana gelebilir.

Aküyü çıkarmak için akünün ön tarafında bulunan düğmeyi bastırın ve aküyü çekerek makineden çıkartın. Aküyü takmak için aküdeki dili makine gövdesindeki yuvayla aynı hizaya getirin ve aküyü iterek yerine oturmasını sağlayın. Akünün tam yerine oturduğunu klik sesinden anlayabilirsiniz. Düğmenin üst tarafında bulunan kırmızı göstereyi görüyorsanız, akü tam olarak kilitlenmemiştir.

⚠️ DİKKAT:

- Kırmızı gösterge tamamen kayboluncaya kadar aküyü itin. Aksi takdirde, akü makineden kayıp düşebilir ve operatörün veya çevredeki kişilerin yaralanmasına neden olabilir.
- Aküyü zorlayarak takmaya çalışmayın. Akünün makineye rahatça takılmaması, yanlış takıldığını gösterir.

Akü koruma sistemi

Bu makinede bir akü koruma sistemi mevcuttur. Bu sistem, akü ömrünü uzatmak için motora beslenen gücü otomatik olarak keser.

Makine ve/veya akü için aşağıda sıralanan durumlardan birinin geçerli olması halinde, çalışmayı otomatik olarak durdurur:

- Aşırı yüklenme:

Makine anormal yüksek akım çekecek şekilde çalışır. Böyle bir durumda, makine üzerindeki açma/kapama düğmesinden elinizi çekin ve makinenin aşırı yüklenmesine neden olan uygulamayı durdurun. Ardından, yeniden başlatmak için açma/kapama düğmesine tekrar basın.

Makine çalışmıyorsa, akü aşırı ısınmıştır. Böyle bir durumda, açma/kapama düğmesine tekrar basmadan önce akünün soğumasını bekleyin.

- Düşük akü gerilimi:

Kalan akü kapasitesi çok düşüktür ve makine çalışmaz. Açma/kapama düğmesine bastığınızda, motor çalışır, ancak kısa bir süre sonra tekrar durur. Böyle bir durumda, aküyü çıkartın ve şarj edin.

Açma/kapama işlemi

⚠️ DİKKAT:

- Aküyü makineye takmadan önce, açma/kapama düğmesinin kusursuz çalıştığını ve açma/kapama düğmesi bırakıldığında makinenin "KAPALI" konuma döndüğünü kontrol edin.

Makineyi çalıştırmak için açma/kapama düğmesine basmanız yeterlidir. Makineyi durdurmak için parmağınızı açma/kapama düğmesinden çekin. **(Şekil 3)**

MONTAJ

⚠️ DİKKAT:

- Makine üzerinde herhangi bir işlem yapmadan önce makinenin kapalı ve aküsünün çıkartılmış olduğundan emin olun.

Tozun Temizlenmesi

⚠️ DİKKAT:

- Süpürgeyi tam olarak dolmadan önce boşaltın, aksi takdirde emiş gücü zayıflar.
- Süpürgeğin içerisindeki tozu temizlediğinizden emin olun. Aksi takdirde, sünger filtre tıkanabilir veya motor hasar görebilir.

Haznedeki filtreye yapışan tozları gidermek için, hazne çerçevesine 4 veya 5 defa elinizle vurarak, tozların dökülmesini sağlayın. **(Şekil 4)**

Ardından, emiş girişini aşağı doğru tutun, hazneyi şekilde okla gösterilen yönde çevirin ve hazneyi yavaş ve düz bir şekilde çekerek çıkartın. **(Şekil 5)**

NOT:

- Hazne açılırken tozlar dökülebilir. Bu işlem sırasında hazneyi mümkün olduğunca düz tutun ve haznenin altına bir çöp torbası yerleştirin.

Hazne ve ön filtrede toplanan tozları temizleyin.

(Şekil 6)

Sabitleme mandalını süpürgeyi ayırmak için ön filtreyi ok yönünde çevirin ve ardından ön filtreyi çekerek çıkartın. **(Şekil 7)**

Ön filtredeki tozları temizleyin. Ardından, filtreyi çıkartın ve tozları temizlemek için filtreye elinizle hafifçe vurun.

(Şekil 8)

Geri Takılması

Öncelikle, filtreyi dikkatlice yerleştirin. Filtre yanlış takılırsa, tozlar motor muhafazasına girebilir ve motorun arızalanmasına neden olabilir. İkinci olarak, ön filtreyi filtre üzerine takın. **(Şekil 9)**

Filtreleri çevirerek iki sabitleme mandalının konumlarını ön filtre üzerindeki yerlerine hizalayın ve süpürge muhafazasının girişlerine oturmasını sağlayın. **(Şekil 10)** Hazneyi kol ve hazne üzerindeki hizalama işaretlerine dikkat ederek takın ve hazneyi yerine tam olarak oturana kadar ok yönünde sıkıca çevirin. **(Şekil 11 ve 12)**

NOT:

- Süpürgede çok fazla toz varken emiş gücü azalacağından, süpürgedeki tozları daima uygun zamanlarda temizleyin.
- Süpürgeyi kullanmaya başlamadan önce filtrenin ve ön filtrenin doğru şekilde takıldığından emin olun. Doğru şekilde takılmamışlarsa, tozlar motor muhafazasına girebilir ve motorun arızalanmasına neden olabilir.

ÇALIŞTIRMA

⚠ DİKKAT:

- Ucu saat yönünde çevirirken takın (veya çıkarın). Saat yönünün tersine çevrilirse, hazne gevşeyebilir. (Şekil 13)

Temizleme (Emiş)

Uç (Şekil 14)

Masaları, sıraları, mobilyaları vb. temizlerken ucu takın. Uç bu yüzeylerde kolayca kayacaktır.

Uç + Uzatma borusu (Düz boru) (Şekil 15)

Uzatma borusu uç ile süpürge arasına yerleştirilir. Bu tertibat, düz dururken zeminlerin vb. temizlenmesi için kullanışlıdır.

Köşe alma ucu (Şekil 16)

Aracınızın veya mobilyalarınızın köşelerini ve girintilerini temizlerken köşe alma ucunu takın.

Köşe alma ucu + Uzatma borusu (Düz boru) (Şekil 17)

Süpürgeyi giremediği dar alanlar veya uzanamadığınız yüksek yerler için, bu tertibatı kullanın.

Uçsuz temizleme (Şekil 18)

Süprüntü ve tozları ucu takmadan da toplayabilirsiniz.

Onarım için Başvurulmadan Önce Kontrol Edilmesi Gerekenler

Belirti	İncelenecek alan	Çözüm yöntemi
Emiş gücü zayıf	<ul style="list-style-type: none">• Hazne tozla mı dolu?• Filtre tıkalı mı?• Akü bitmiş mi?	<ul style="list-style-type: none">• Haznedeki tozları temizleyin.• Filtreyi temizleyin veya yıkayın.• Aküyü şarj edin.
Çalışmıyor	<ul style="list-style-type: none">• Akü bitmiş mi?	<ul style="list-style-type: none">• Aküyü şarj edin.

010051

NOT:

- Süpürgeyi kendi başınıza onarmaya çalışmayın. Ürünün EMNİYETLİ ve GÜVENİLİR durumda kalmasını sağlamak için tüm onarımlar, bakım ve ayarlar Yetkili Makita Servis Merkezleri tarafından Makita yedek parçaları kullanılarak yapılmalıdır.

OPSİYONEL AKSESUARLAR

⚠ DİKKAT:

- Bu kullanım kılavuzunda tanımlanan Makita marka makineyle aşağıdaki aksesuarların ve parçaların kullanılması önerilir. Bunların dışında başka aksesuarların veya parçaların kullanılması yaralanmalara yol açabilir. Aksesuarlar ve parçalar doğru şekilde ve öngörüldükleri işlevler için kullanılmalıdır.

Aksesuarlara ilişkin daha ayrıntılı bilgi almak için size en yakın yetkili Makita servisine başvurabilirsiniz.

- Uzatma borusu (Düz boru)
- Uç
- Halı ucu
- Raf fırçası
- Köşe alma ucu
- Yuvarlak fırça
- Esnek hortum

BAKIM

⚠ DİKKAT:

- Makine üzerinde kontrol veya bakım işlemlerine başlamadan önce mutlaka makinenin kapalı olduğundan emin olun.

Temizleme (Şekil 19)

Arada sırada sabunlu suyla nemlendirilmiş bir bez kullanarak süpürgeyi dış kısmını (süpürge gövdesini) temizleyin.

Ayrıca, emiş açıklığını, toz torbası/kağıt torba yerleştirme alanını ve toz durdurucuyu da temizleyin.

⚠ DİKKAT:

- Kesinlikle gazolin, benzin, tiner, alkol veya benzeri bir madde kullanmayın. Aksi takdirde renk bozulması, deformasyon veya çatlaklar meydana gelebilir. Tozla tıklandığında ve süpürge emiş gücü zayıfladığında filtreyi sabunlu suyla yıkayın. Kullanmadan önce tamamen kurummasını bekleyin. Yeteri kadar kurumadan kullanılması durumunda filtre, emiş gücünün zayıflamasına ve motorun kullanım ömrünün kısalmasına neden olabilir. (Şekil 20)
- Süpürge üzerindeki tozları hava tabancasıyla temizlemeye çalışmayın. Aksi takdirde, tozlar gövdeye girebilir ve arızaya neden olabilir.

- Filtre
- Ön filtre
- Orijinal Makita akü ve şarj cihazı

NOT:

- Listedeki bazı parçalar makineyle birlikte standart aksesuar olarak verilebilir. Ürünle verilen aksesuarlar ülkeden ülkeye farklılıklar gösterebilir.

Makita Jan-Baptist Vinkstraat 2, 3070, Belgium
Makita Corporation Anjo, Aichi, Japan

885397-993

www.makita.com

ALA